

**MASTIC**<sup>®</sup>  
by **PlyGem**

**EverPlank**<sup>™</sup>  
LUXURY VINYL SIDING



INSTALLATION  
GUIDE



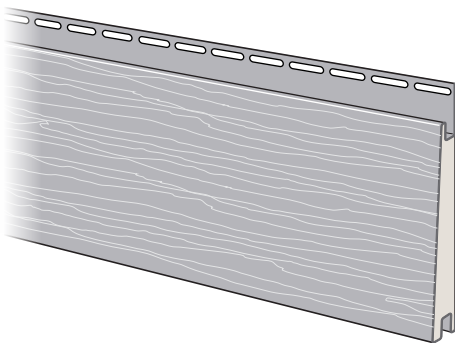
EVERPLANK  
LUXURY VINYL SIDING

MAKE MORE POSSIBLE.

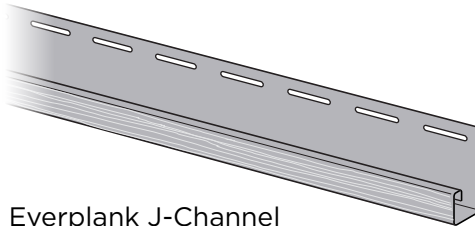
# COUNT ON MASTIC TO BRING YOU THE NEWEST CATEGORY OF VINYL SIDING—*LUXURY VINYL SIDING.*

**Introducing EverPlank Luxury Vinyl Siding** — a whole new category of vinyl from Mastic. It's the first vinyl siding to deliver a true-to-wood look with the trusted performance of vinyl. EverPlank looks more like real wood because it installs more like real wood — end-to-end with no overlapping. It's easy to install, a lot like our Mastic vinyl siding, and never needs painting.

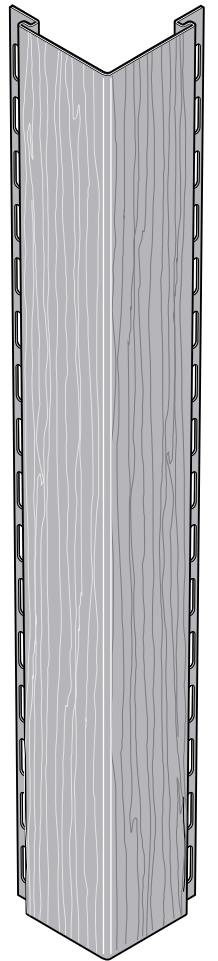
Scan here to watch the EverPlank installation video:



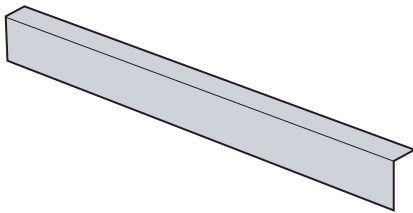
EverPlank 6" Luxury Vinyl Siding (EP60)



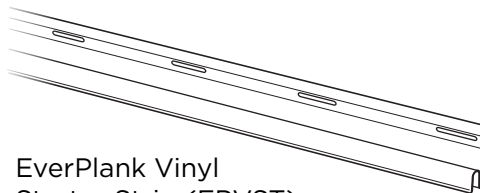
Everplank J-Channel (EPJCHL)



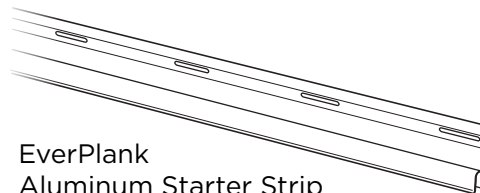
EverPlank Outside Corner Post (EPOSC)



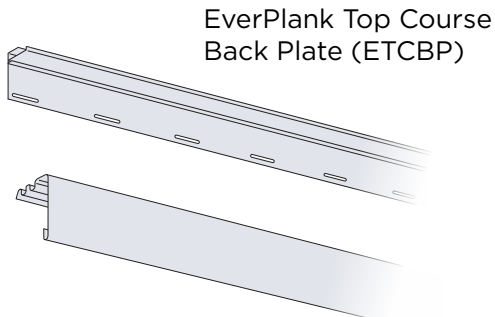
EverPlank Bonding Strip (EPBONSTRP)



EverPlank Vinyl Starter Strip (EPVST)

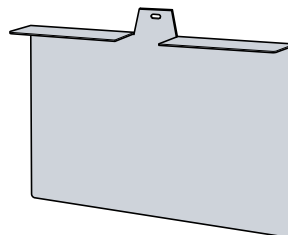


EverPlank Aluminum Starter Strip (EPALSS)



EverPlank Top Course Back Plate (ETCBP)

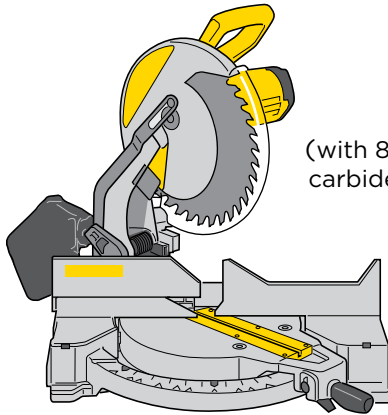
EverPlank Top Course Face Plate (ETCFP)



EverPlank Bonding Plate (EPBONPLTE)

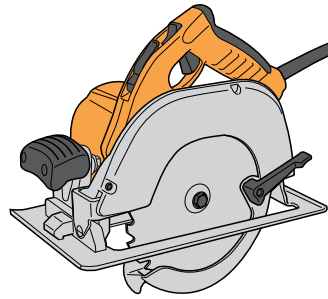
## TOOLS

In addition to standard tools, be sure to have these tools available.



Miter Saw  
(with 80-tooth or greater  
carbide miter saw blade)

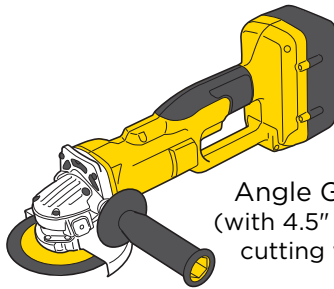
**Note:** If using a  
sliding miter saw  
to cut EverPlank,  
lock out the slide  
mechanism for best  
cuts.



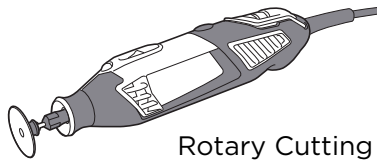
Circular Saw  
(with 120 tooth or  
greater plywood blade  
mounted in the reverse  
position)



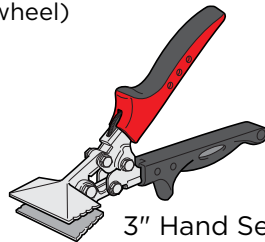
Cordless Drill  
(with 1/8" multi-purpose  
cutting bit)



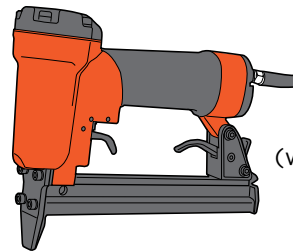
Angle Grinder  
(with 4.5" masonry  
cutting wheel)



Rotary Cutting Tool  
(with 1.5" grinding wheel)



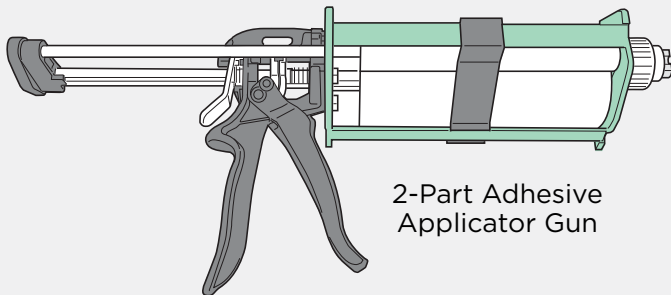
3" Hand Seamer



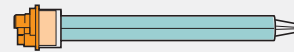
Staple Gun  
(with 1/4" crown x 1/2"  
length staples)

## SPECIAL TOOLS NEEDED

Vibra-Tite Adhesive will require:



2-Part Adhesive  
Applicator Gun



Vibra-Tite Mixing Nozzle  
(M490PB10)

## EVERPLANK PANEL AND ADHESIVE STORAGE AND TEMPERATURE INFORMATION

EverPlank is designed to have a bonding plate installed at all butted seams. You must use the specified 2-part adhesive to ensure the panels and bonding plates are properly bonded together. Do not use any other adhesive.



### ADHESIVE STORAGE RECOMMENDATIONS

EverPlank structural adhesive should be stored between 40° F and 85° F for maximum life span. Avoid excessive heat or cold.

### ADHESIVE JOBSITE STORAGE RECOMMENDATIONS

EverPlank structural adhesive should be maintained at temperatures between 40° F and 85° F. Adhesive should be stored inside in a temperature-controlled environment whenever possible. Alternatively in cold weather, the adhesive can be stored in a cooler with a small temperature- controlled heating blanket to maintain the suggested temperature range. This allows for good adhesive pumpability and proper setting times.

### ADHESIVE TEMPERATURE SELECTION RECOMMENDATIONS:

EverPlank adhesive is formulated in two variations to help maintain a similar gel (set) time in different temperatures (Summer and Winter).

- **Summer Formula (PB42549LV-GY)** is recommended for temperatures 60° F and greater.
- **Winter Formula (PB32049LVGR)** is recommended for temperatures up to 70° F.

### EVERPLANK PANEL STORAGE ON JOBSITES

EverPlank panels should be kept in the carton until the point of application. This helps ensure that the panel temperature is close to the wall temperature at the time of installation.

Laying EverPlank panels on the ground in the sun can cause excessive heat build-up, common to any building material. Hot panels lying flat in the sun will cool rapidly once installed on a vertical wall. EverPlank is a low expansion product, but excessively hot panels may shrink somewhat before the bonding plate adhesive has set. This could lead to panel end gapping that is easily avoided by pulling panels directly from the carton at installation.

**Note:** EverPlank siding cartons can be stored in the sun while installing.



## GENERAL INSTALLATION GUIDELINES

Before installing the EverPlank system, you will need to prepare the walls as with any vinyl siding application. Weather-resistant barrier is required before siding is installed. Much like all cladding products, EverPlank must be installed over flat, prepared surfaces.

For additional information about preparing surfaces for installation, see the Mastic Installation Manual.

## INSTALL EVERPLANK CORNER POSTS (EPOSC)

Mark a chalk line that will represent the top of the starter strip and project it around adjacent walls of house.

Measure, cut and install corner posts leaving  $\frac{1}{4}$ " gap below the soffit receiver and extend  $\frac{3}{4}$ " below the bottom of the starter strip.

Be sure corner posts are square. Nail through the top of the nail slot on each side of the corner post to hang the post in position (within 6" of the top). Then complete installation by nailing in the center of nail slots every 12".

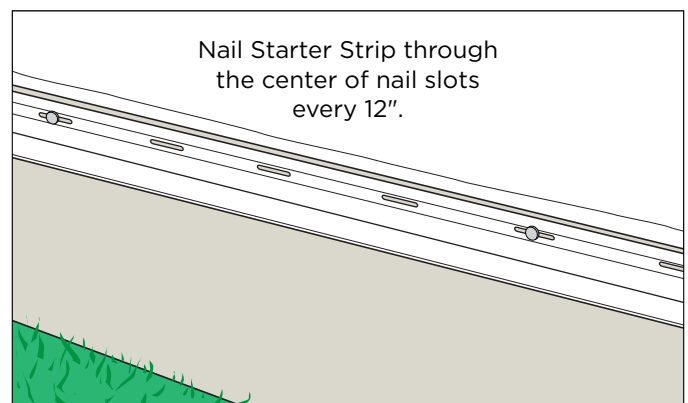
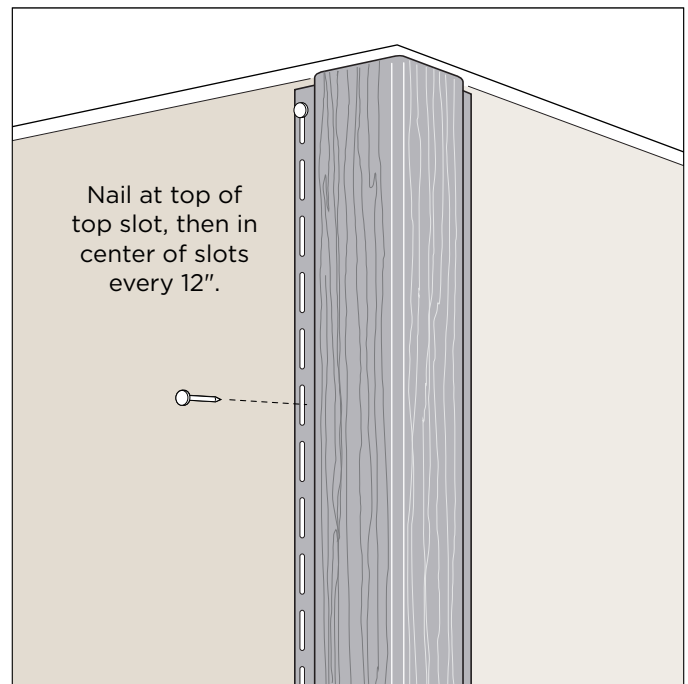
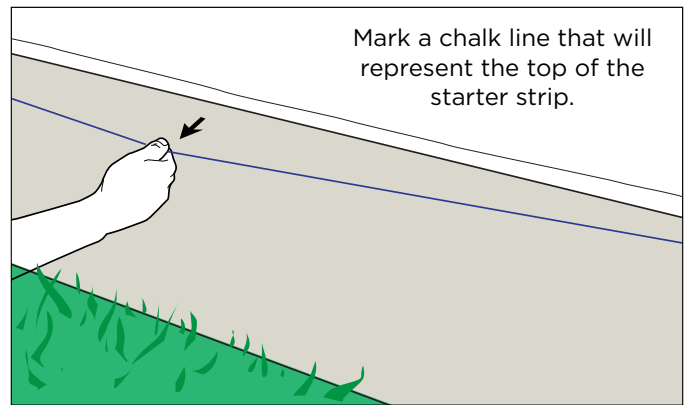
Do not nail corner posts tight — leave  $\frac{1}{32}$ " between nail head and nail hem.

## INSTALL EVERPLANK STARTER STRIP (EPVST)

Using the chalk line as a guide for top edge of starter, install the starter strip along the chalk line, nailing every 12" in center of nail slots.

Keep the ends of the starter strips approximately  $\frac{1}{4}$ " apart to allow for expansion. Allow  $\frac{1}{4}$ " between end of starter strip and corner posts, J-Channel and other accessories.

**Note:** Starter strip fasteners should be driven flush in the center of the slots to take out starter looseness, but should not be overdriven so that they bind the starter.



## PREPARING ADHESIVE

Prepare the 2-part adhesive for the bonding plates and bonding strips so you are ready to apply it when needed.

- Load the adhesive cartridge in the 2-part application gun. The channel will allow the nozzle to seat correctly into the gun.
- Unscrew the cartridge retaining nut and pull the end plug. Set both aside temporarily.
- Pump the application gun to purge a small amount of adhesive from both tubes in the combined cartridge to ensure they are flowing properly.
- Install the mixing nozzle and hand tighten using the cartridge retaining nut.

- Pump the application gun until the adhesive mixture flows through the outlet of the mixing nozzle. Each tube contents are color coded to ensure proper mixing. Product is ready to use when you have a consistent blended color.

If the tube has been sitting unused for some time, you may need to install a new mixing nozzle.

- Retain the tube end plug to seal up the tube at the end of the day or for storage. Unmixed adhesive will not harden if the end plug is reinstalled.

## THE EVERPLANK STACK LOCKING SYSTEM

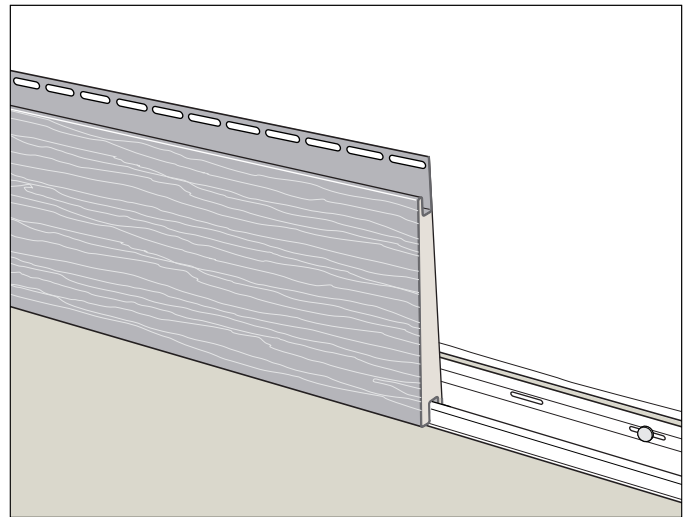
EverPlank siding uses a unique stack locking system that allows panels to lock downward into the top section of the panel below. This simplifies installation in many ways, since a locked panel will self-support while fastening.

**Note:** Make sure the EverPlank panel is fully locked in place.

### CUTTING EVERPLANK PANELS

EverPlank vertical cuts can be easily cut using a standard miter saw with an 80-tooth or greater blade.

**Note:** If using a sliding miter saw to cut EverPlank panels, lock out the slide mechanism for best cuts. Panels cut the best when the miter saw swings directly down from the top.



Horizontal cuts can be made using a circular saw with a 120 tooth or greater plywood blade mounted in the reverse position. A suitable alternative is to use an angle grinder with a 4-1/2" masonry cut off blade.

## APPLY ADHESIVE TO BONDING PLATE

EverPlank is designed to have a bonding plate installed at all butted seams. You must use the specified 2-part adhesive to ensure the panels and bonding plates are properly bonded together. **Do not use any other adhesive.**

Apply five medium beads (approx. 1/4") of adhesive to bonding plates as shown, following the numbered sequence. It is important to apply the first 2 vertical beads on the rigid panel back first. This helps ensure critical mixing of the 2-component adhesive before applying beads 3-5 on the actual vinyl portion of the panel. Beads 3-5 are the most critical for the strength of the system.

## INSTALL FIRST PANEL

**Note:** As with vinyl siding, plan your project so EverPlank panels end in a random pattern. Cut first panel in each course to length needed to accomplish the desired appearance.

Make sure the EverPlank panel is fully locked in place on the starter strip. Install into J-Channel or corner, leaving 1/4" into all stops.

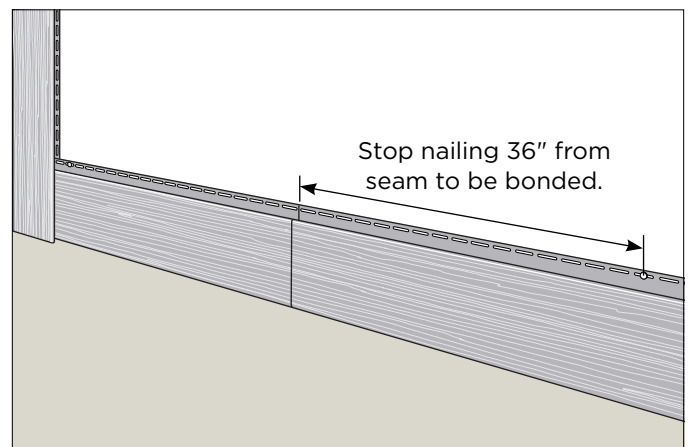
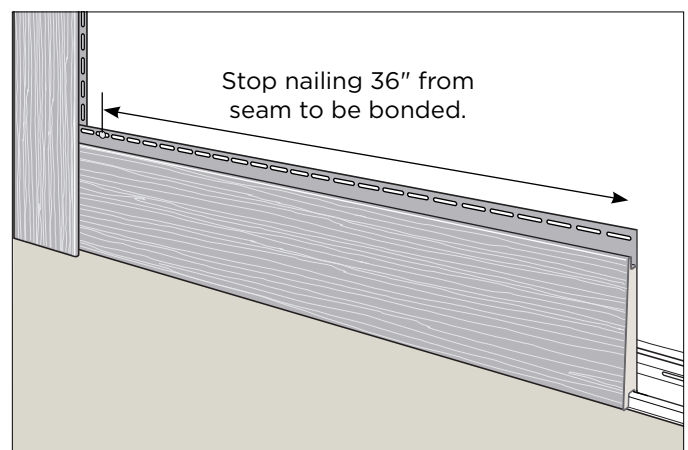
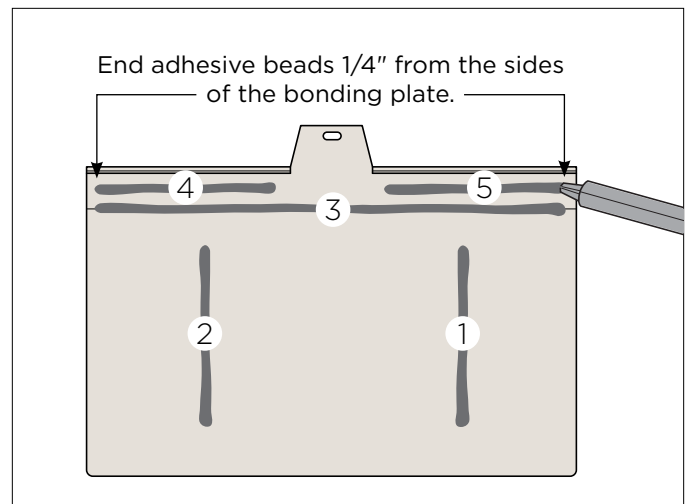
Nail in the center of nail slots every 16". **Stop nailing 36" from seam to be bonded.**

**Note:** Do not nail all the way flush with the nail hem. Only nail so the nail head just touches the surrounding nail slot and nail hem, and not so tight as to bind the panel.

**INSTALLATION NOTE:** When installing EverPlank siding over a non-nail base sheathing (such as blackboard or XPS foam panels), all panel seams should be installed so that they are centered and bonded at a stud. The center tab of the bonding plate should be nailed to the stud through the provided nail slot to properly secure the seam to the wall.

## INSTALL ADJACENT PANEL

Lock the adjacent EverPlank panel on the same siding course firmly into place. Butt panel ends together and install one nail at least 36" away from the seam to be bonded.



**NOTE:** When installing EverPlank siding over a non-nail base sheathing (such as blackboard or XPS foam panels), all panel seams should be installed so that they are centered and bonded at a stud.

## **NAIL BASE SHEATHING**

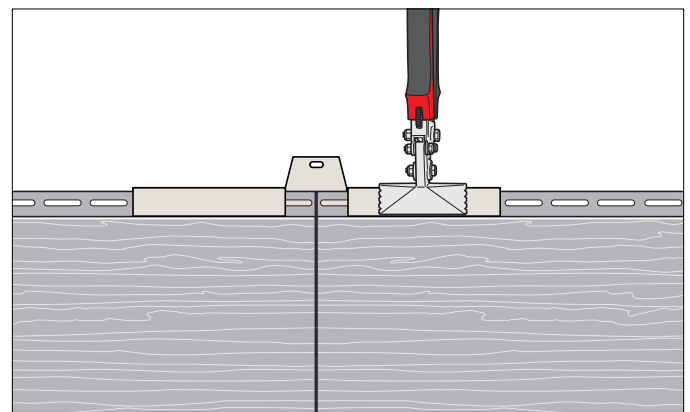
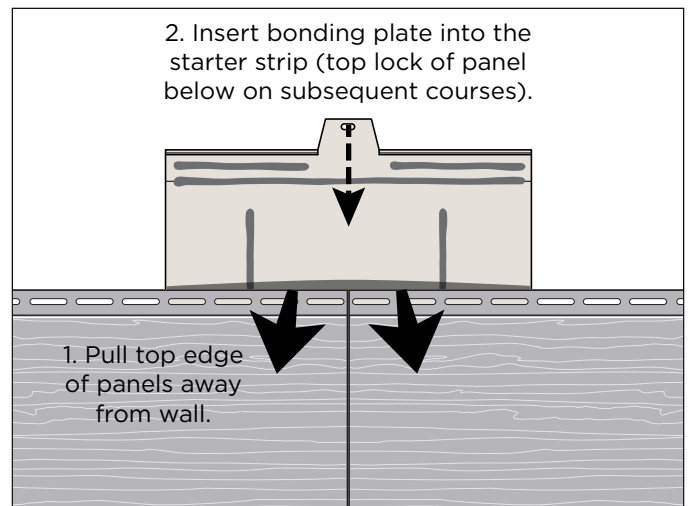
### **ATTACH BONDING PLATE AT SEAM**

At the seam, pull the top edges of both EverPlank panels away from the wall and insert the EverPlank bonding plate with adhesive applied into place. Center the bonding plate to span both panels evenly at the seam to be bonded. Avoiding smearing of the adhesive during placement of the bonding plate.

The bonding plate will insert into the starter strip (on the first course) or the top lock of the panels below on subsequent courses.

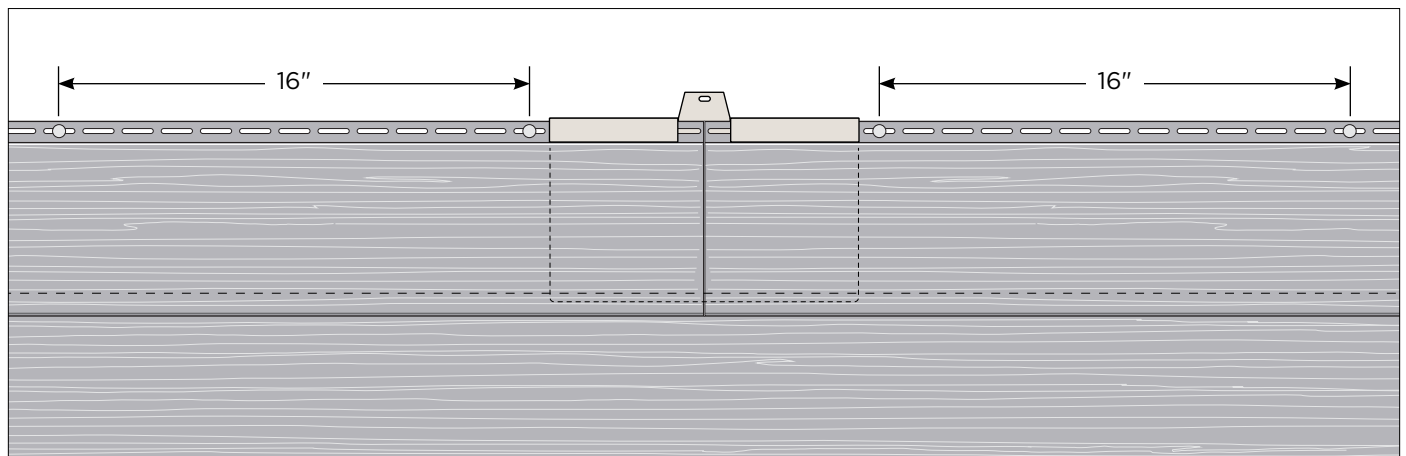
Fold down the two 90° tabs on either side of

the center bonding plate tab onto the nailing fin of the EverPlank panels with the side of your hand. Firmly clamp together the fold down tabs using a 3" hand seamer.



Finish nailing both EverPlank panels into place starting with the first fully exposed nail slot on either side of the bonding plate and then with nails every 16". Stop nailing 36" from the next seam to allow the installation of the next bonding plate in the same manner as outlined above.

**NOTE:** WHEN INSTALLING OVER NAIL BASE SHEATHING, DO NOT NAIL THROUGH THE CENTER POSITIONING TAB OR ANY PART OF THE BONDING PLATE.





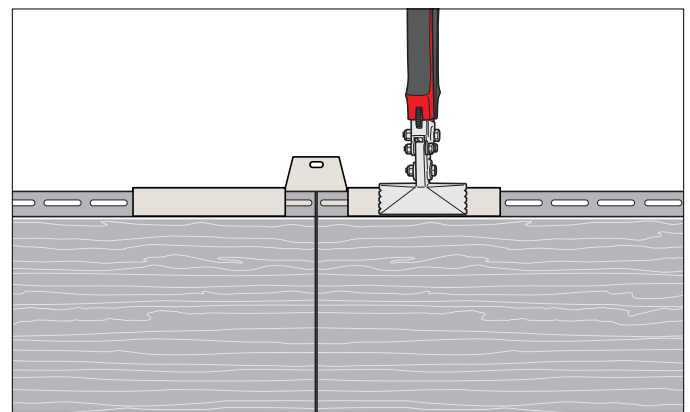
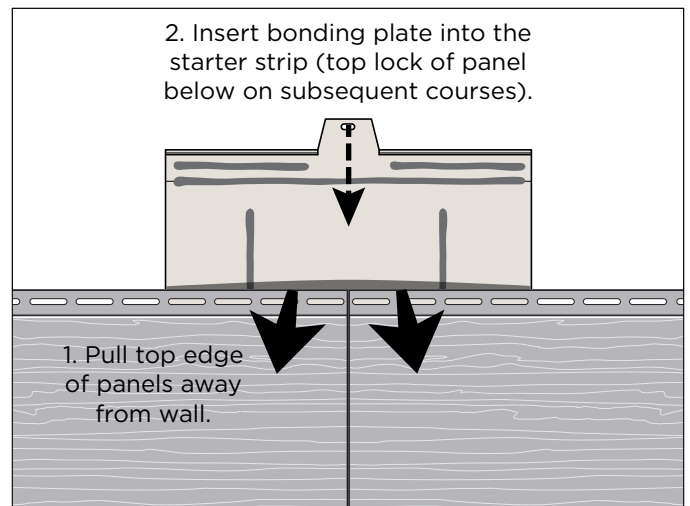
## **SOFT BOARD SHEATHING**

### **ATTACH BONDING PLATE AT SEAM**

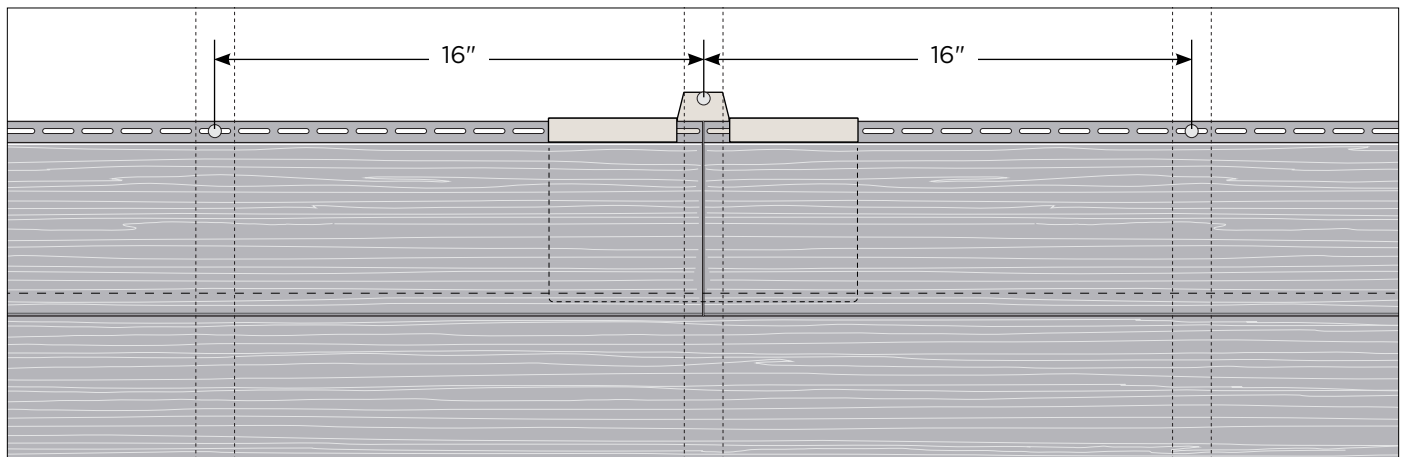
Make sure all EverPlank panel seams to be bonded will land on a framing member. At the seam, pull the top edges of both EverPlank panels away from the wall and insert the EverPlank bonding plate with adhesive applied into place. Center the bonding plate to span both panels evenly at the seam to be bonded. Avoiding smearing of the adhesive during placement of the bonding plate.

The bonding plate will insert into the starter strip (on the first course) or the top lock of the panels below on subsequent courses.

Fold down the two 90° tabs on either side of the center bonding plate tab onto the nailing fin of the EverPlank panels with the side of your hand. Firmly clamp together the fold down tabs using a 3" hand seamer.



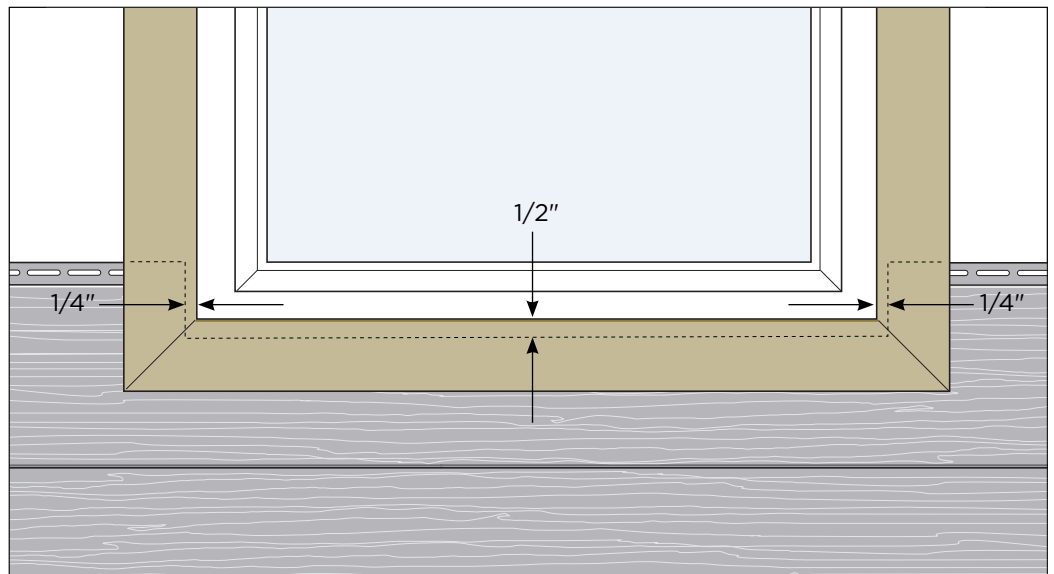
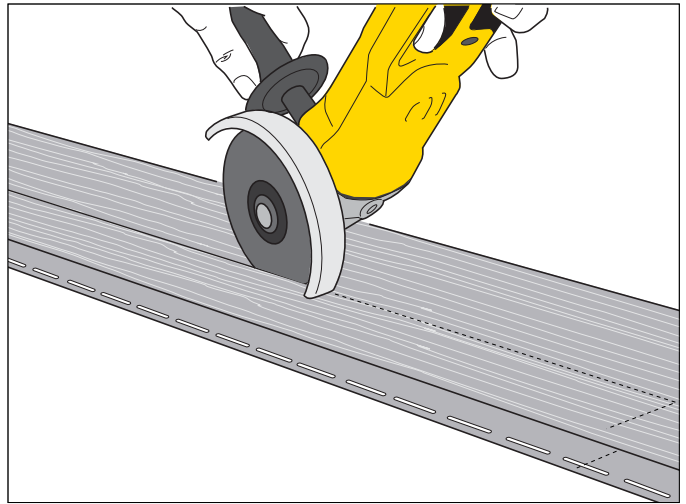
Fasten the bonding plate to the wall stud by nailing through the nail slot in the center tab. Finish nailing both EverPlank panels nails by fastening every 16". Stop nailing 36" from the next seam to allow the installation of the next bonding plate. Do not nail through the bonding plate in any place other than the center nail slot.



## MEASURING AROUND WINDOWS

When you come to windows or other openings, measure around the opening and allow 1/4" gap on sides and 1/2" at bottom of window or opening. Cut panel with a saw or angle grinder.

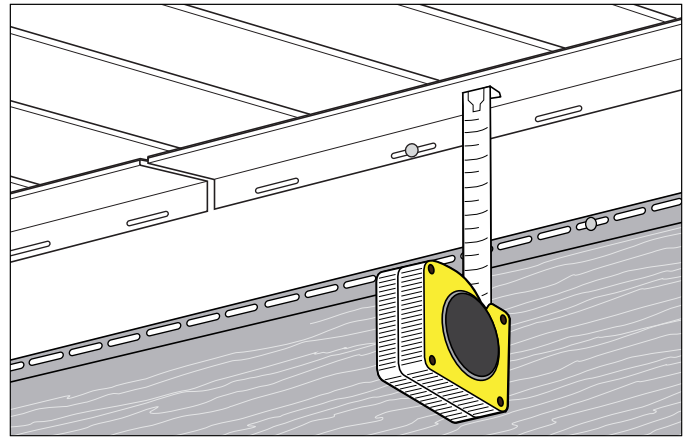
Stack panel onto the previous full course and follow the nailing instructions.



## INSTALLING TOP COURSE AT SOFFIT LINE

First, install EverPlank Top Course Back Plate (ETCBP) below soffit line, fastening through the nail slots every 12". Gap subsequent sections of Top Course Back Plate approximately 1/8" apart.

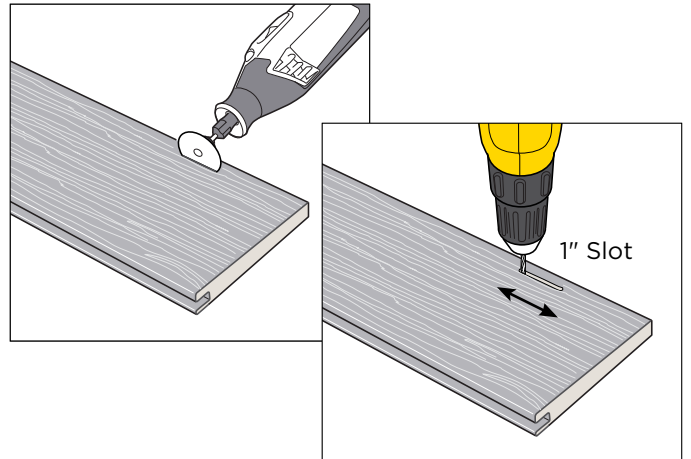
Measure the distance from the top of the panel face to the bottom of the Back Plate receiver as shown. Add 1/4" and cut panels to this width.



## CUT NAIL SLOTS ON TOP COURSE

Use a rotary cutting tool with a 1-1/2" grinding wheel to cut 1" slots every 16", 1/2" from the cut edge of the panel.

Then, use a 1/8" multi-purpose cutting drill bit to drill through each end of the slot and cut through the remaining foam in the slots.



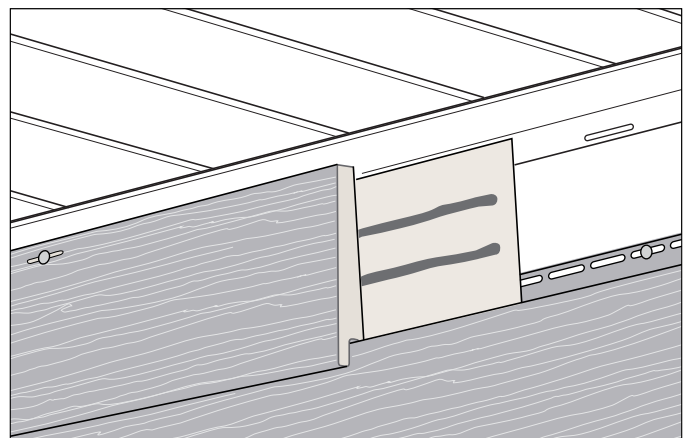
## ATTACH BONDING PLATE ON TOP COURSE

Use tin snips to cut EverPlank bonding plate to height needed to rest in the channel of the previous course of EverPlank.

Add at least two beads of adhesive, 1" apart. Pull back Everplank, and insert bonding plate in channel of course below, centered on seam.

Line up the mating course and fasten panels into place.

**NOTE: DON'T NAIL CLOSER THAN 8" TO THE SEAM. DO NOT PLACE FASTENERS BEHIND THE EVERPLANK BONDING STRIP (see page 12).**



## TOP COURSE BONDING STRIP (EPBONSTRP)

Use an EverPlank top course bonding strip to bond top course seams. Apply a bead of specified adhesive to the inside bend of the trim on the 1" wide section.

The adhesive should be close to the bend to avoid excessive squeeze-out of adhesive onto the panel face.

Position the bonding strip across the front side, top edge of the panels bridging the seam. There should be no fasteners behind this bonding strip. Press the bonding strip with adhesive on to the panel face.

Shoot 4 staples through the face of the top course bonding strip and into the panels — 2 staples on each side of the seam.

Use staples with a 1/4" crown with a 1/2" leg length.

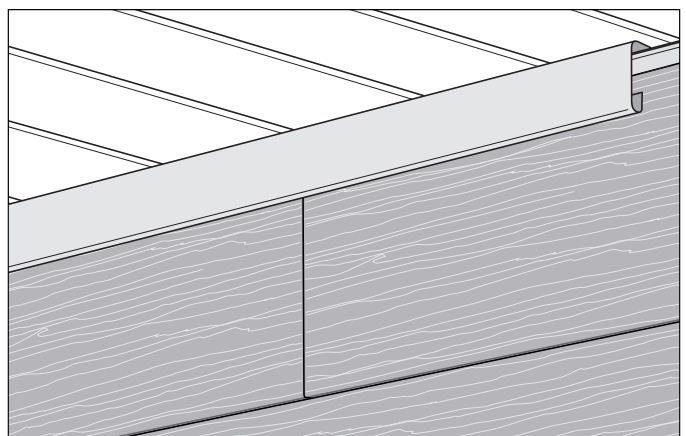
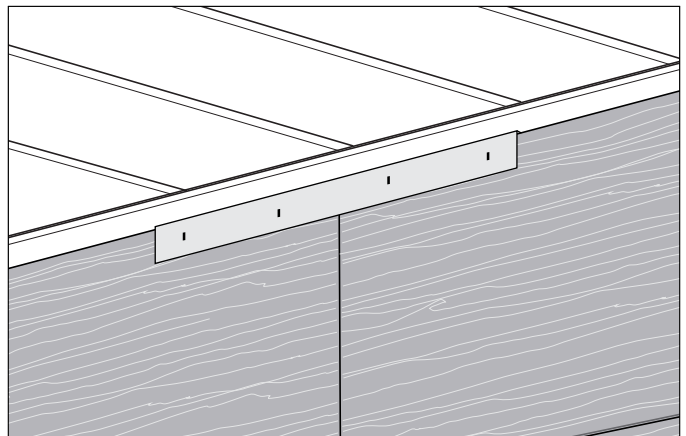
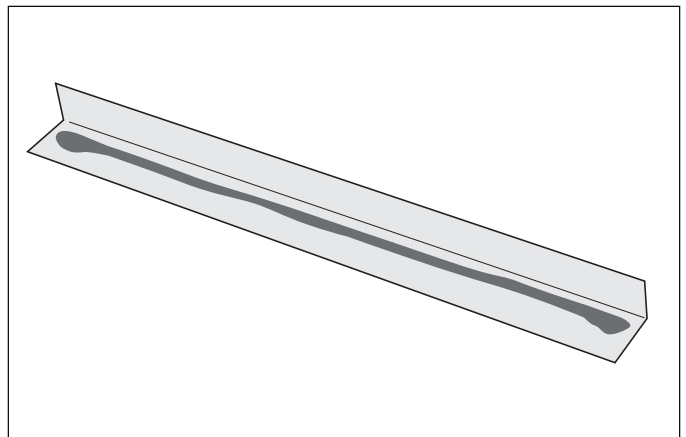
Don't overdrive the staples through the top course bonding strip. Air pressure should be set at 50 to 60 psi.

These short staples will only fasten into the EverPlank panel, not the wall.

## INSTALL EVERPLANK TOP COURSE FACE PLATE

Once all the top course panels are installed and bonded on the wall section, finish with EverPlank Top Course Face Plate (ETCFP).

Sections of Top Course Face Plate should overlap approximately 1". Trim the top locking section and the bottom curl back to allow the trim overlapping to mate to the trim piece underneath. The Top Course Face Plate can be tapped gently into the lock of the Back Plate receiver using the handle end of a hammer.



# MASTIC EVERPLANK

## LUXURY VINYL SIDING



## TRUE-TO-WOOD LOOK WITH THE TRUSTED PERFORMANCE OF VINYL

EverPlank 6" planks are available in 12 bold, rich and distinctive colors to elevate your home's aesthetic and create an extraordinary, sophisticated look. From traditional favorites like white and tan to today's most popular blues, greens and grays, the EverPlank palette was carefully selected to suit a variety of tastes.

Best of all, whatever distinctive EverPlank color you choose will remain every bit as rich and beautiful as the day it was installed—without the time, cost or hassle of repainting.

### EVER BEAUTIFUL. EVER DURABLE.



#### 6" PLANK STYLE CONSTRUCTION

Wider, flatter panels provide a true-to-wood look better than other vinyl options.



#### NO OVERLAPPING SEAMS

End-to-end look provides the aesthetic of a real wood home.



#### REAL WOOD TEXTURE

Realistic texture captures the look and feel of natural woodgrain.



#### NO EXPOSED NAILS

Clean high-end design eliminates the need for visible nails.



#### NO PAINTING REQUIRED

Save time and money and virtually eliminate costly upkeep.



#### SECURE INTERLOCKING SYSTEM

Designed to reduce gapping and withstand strong winds.



#### WATER RESISTANT

Resistant to water penetration, warping and rotting.



#### LIMITED LIFETIME WARRANTY

Guaranteed beauty and performance for generations to come.

Subject to the Mastic VIP Limited Lifetime Warranty. See warranty for full details.

### PREMIUM COLORS



### STANDARD COLORS



5020 Weston Parkway, Cary, NC 27513  
(800) 962-6973  
[Mastic.com/EverPlank](https://www.mastic.com/everplank)

© 2024 Mastic Home Exteriors Inc, part of **Cornerstone Building Brands**, Inc.  
ALL RIGHTS RESERVED. 7608219991101/RevB/MS/0424



PART OF THE CORNERSTONE BUILDING BRANDS FAMILY | SIDING | WINDOWS + DOORS | SHUTTERS | METAL, TRIM + ACCESSORIES | STONE VENEER | FENCE + RAILING