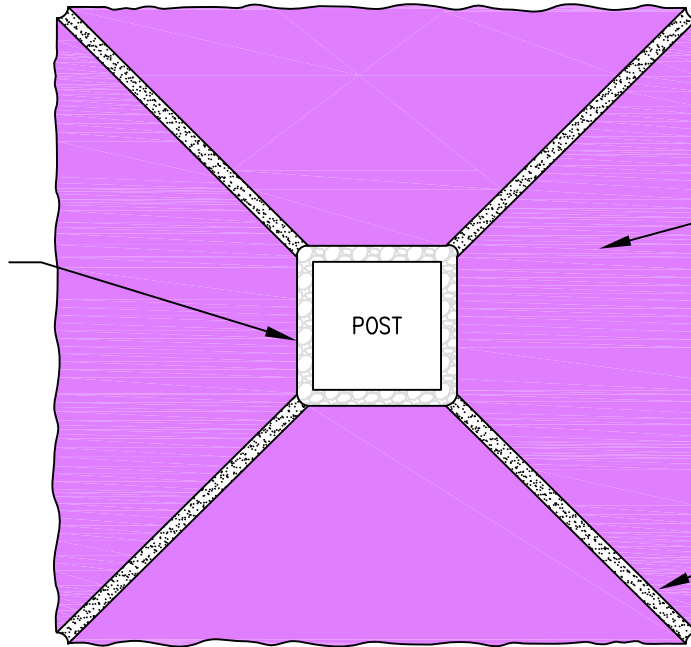


CLIPSTONE®

Mortarless Stone Veneer

TOP VIEW

3/8" SPACE TO RECEIVE SEALANT



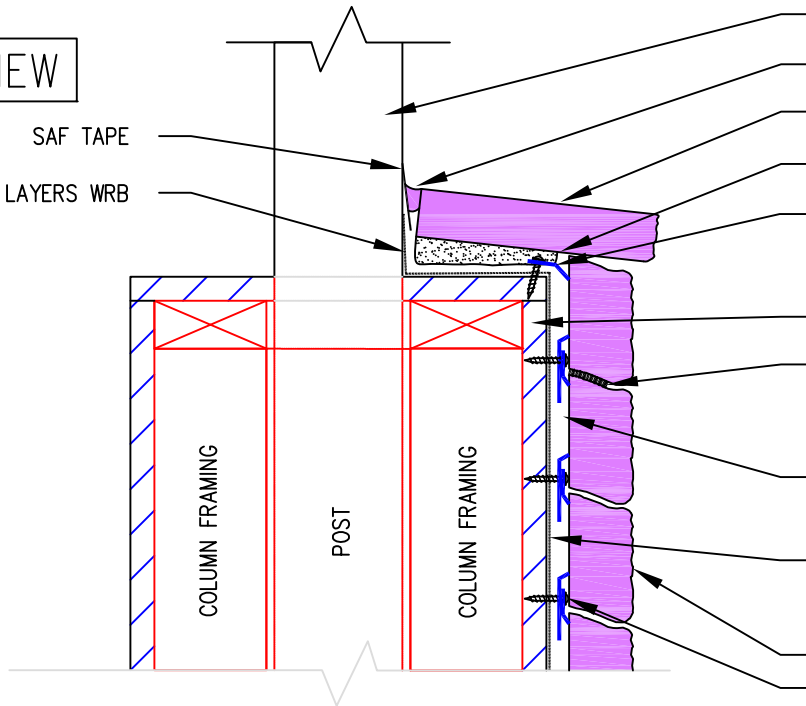
CAP STONE W/
45° CORNER CUT

MORTAR JOINT

POST

SIDE VIEW

SAF TAPE
(2) LAYERS WRB



POST

3/8" SPACE FOR SEALANT

CAP STONE CUT TO FIT

MORTAR OR EXTERIOR ADHESIVE, AS
PER PROJECT SPECIFICATIONS

BEND WIRES UNDER TOP EDGE OF STONE
TO FIT, INSTALL FASTENERS TO
ACCOMMODATE JOBSITE ANGLE

7/16" MINIMUM EXTERIOR STRUCTURAL SHEATHING

EXTERIOR GRADE CONSTRUCTION ADHESIVE
TO FASTEN CLIPSTONE

NOTE: ONLY NEED ADHESIVE WHEN CLIPS
CANNOT BE USED TO SECURE TOP COARSE

AIR GAP, CREATED W/ TYP. AND PROPER
INSTALLATION PRACTICES OF THE CLIPSTONE
PRODUCTS

(2) LAYERS 30# BLACK FELT OR CODE
COMPLIANT WRB (AS PER LOCAL OR
NATIONAL CODE REQUIREMENTS)

CLIPSTONE

#8 X 1 1/4" CORROSION
RESISTANT LATH SCREW

FIG-1

COLUMN TOP W/ SUPPORT POST

SCALE 2" = 1'-0"

COPYRIGHT © 2021 ENVIRONMENTAL MATERIALS, LLC,
PART OF THE CORNERSTONE BUILDING BRANDS FAMILY

DISCLAIMER: THESE CONSTRUCTION DETAILS ARE PROVIDED TO ASSIST IN THE INSTALLATION OF ENVIRONMENTAL MATERIALS, LLC ('MANUFACTURER') PRODUCT(S). THESE CONSTRUCTION DETAILS WILL NOT NECESSARILY APPLY TO EVERY DESIGN OR CONSTRUCTION CIRCUMSTANCES THAT YOU ENCOUNTER. THESE CONSTRUCTION DETAILS MAY REQUIRE MODIFICATION TO MEET YOUR PARTICULAR DESIGN REQUIREMENTS. MANUFACTURER ACCEPTS NO RESPONSIBILITY OR LIABILITY FOR USE OF THESE DRAWINGS OR OTHER CONSTRUCTION DETAILS.

CLIPSTONE®

Mortarless Stone Veneer

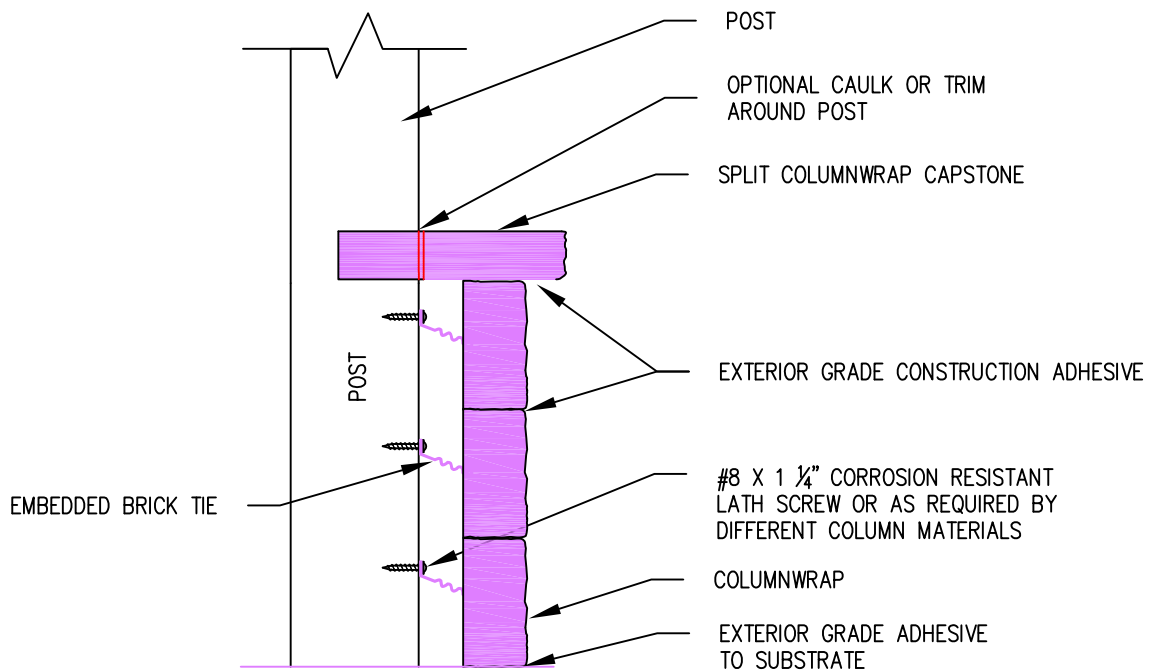


FIG-2

COLUMNWRAP DETAIL

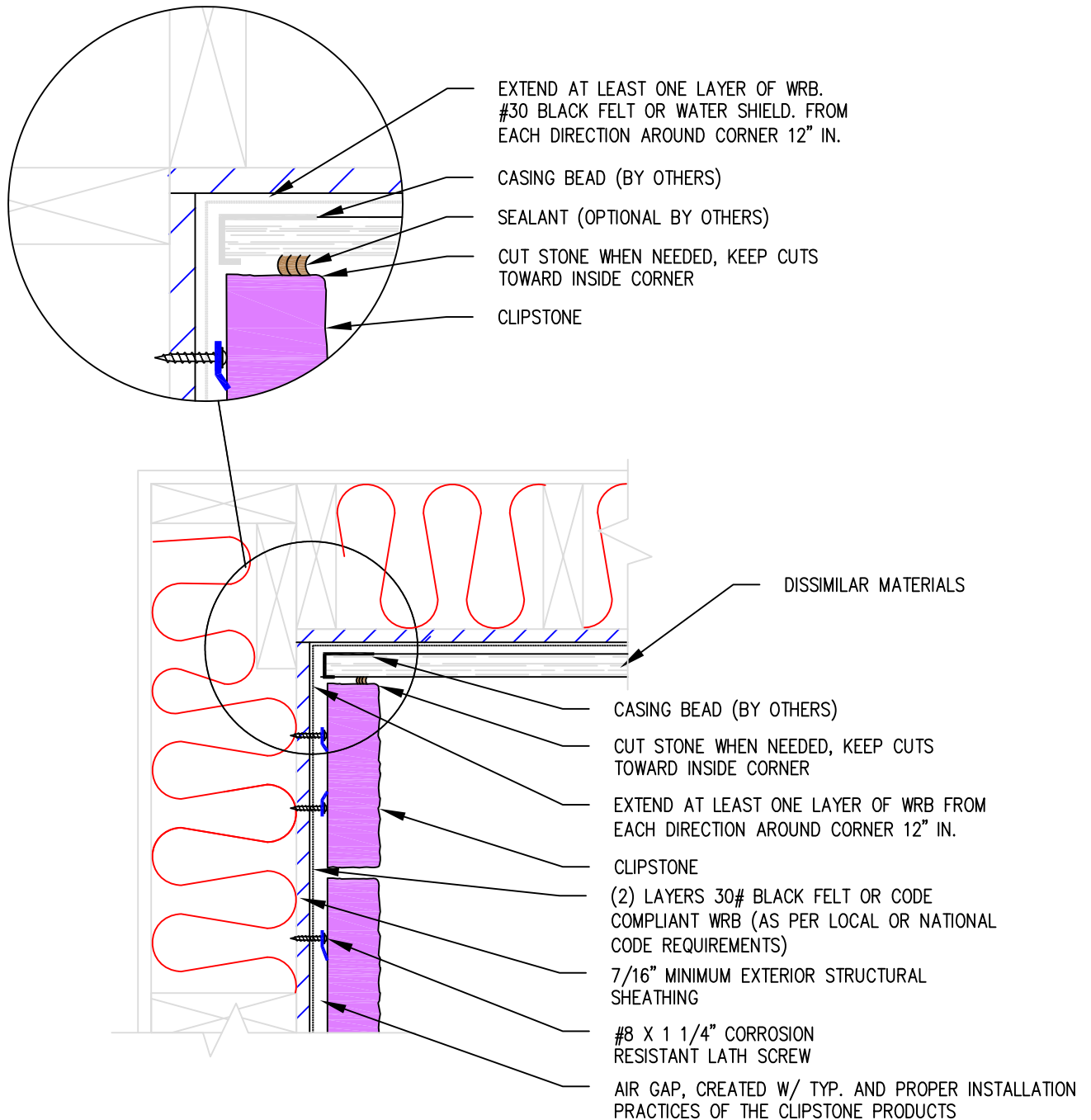
SCALE 2" = 1'-0"

COPYRIGHT © 2021 ENVIRONMENTAL MATERIALS, LLC,
PART OF THE CORNERSTONE BUILDING BRANDS FAMILY

DISCLAIMER: THESE CONSTRUCTION DETAILS ARE PROVIDED TO ASSIST IN THE INSTALLATION OF ENVIRONMENTAL MATERIALS, LLC ('MANUFACTURER') PRODUCT(S). THESE CONSTRUCTION DETAILS WILL NOT NECESSARILY APPLY TO EVERY DESIGN OR CONSTRUCTION CIRCUMSTANCES THAT YOU ENCOUNTER. THESE CONSTRUCTION DETAILS MAY REQUIRE MODIFICATION TO MEET YOUR PARTICULAR DESIGN REQUIREMENTS. MANUFACTURER ACCEPTS NO RESPONSIBILITY OR LIABILITY FOR USE OF THESE DRAWINGS OR OTHER CONSTRUCTION DETAILS.

CLIPSTONE®

Mortarless Stone Veneer



TOP VIEW
WALL-SECTION INSIDE CORNER W/ STUCCO

FIG-3

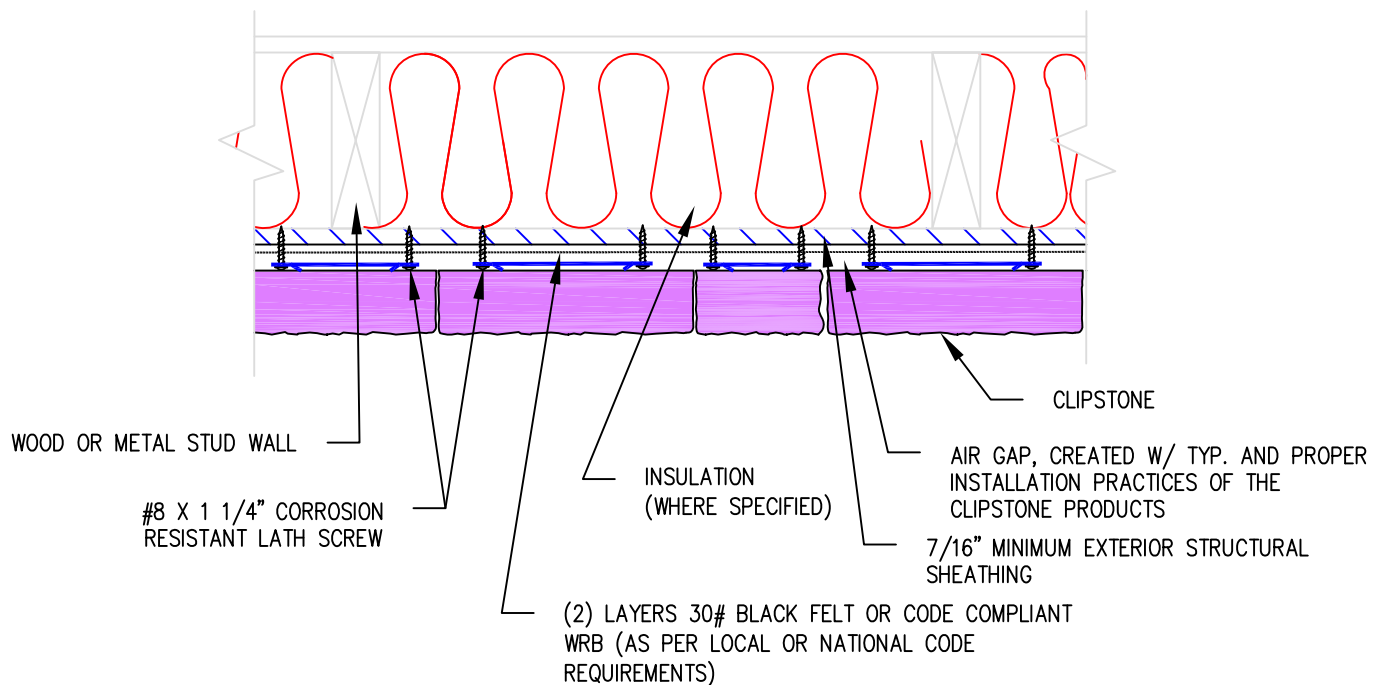
SCALE 2" = 1'-0"

COPYRIGHT © 2021 ENVIRONMENTAL MATERIALS, LLC,
PART OF THE CORNERSTONE BUILDING BRANDS FAMILY

DISCLAIMER: THESE CONSTRUCTION DETAILS ARE PROVIDED TO ASSIST IN THE INSTALLATION OF ENVIRONMENTAL MATERIALS, LLC ("MANUFACTURER") PRODUCT(S). THESE CONSTRUCTION DETAILS WILL NOT NECESSARILY APPLY TO EVERY DESIGN OR CONSTRUCTION CIRCUMSTANCES THAT YOU ENCOUNTER. THESE CONSTRUCTION DETAILS MAY REQUIRE MODIFICATION TO MEET YOUR PARTICULAR DESIGN REQUIREMENTS. MANUFACTURER ACCEPTS NO RESPONSIBILITY OR LIABILITY FOR USE OF THESE DRAWINGS OR OTHER CONSTRUCTION DETAILS.

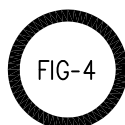
CLIPSTONE®

Mortarless Stone Veneer



PLAN VIEW

TYP. WOOD OR METAL STUD WALL



SCALE 2" = 1'-0"

COPYRIGHT © 2021 ENVIRONMENTAL MATERIALS, LLC,
PART OF THE CORNERSTONE BUILDING BRANDS FAMILY

DISCLAIMER: THESE CONSTRUCTION DETAILS ARE PROVIDED TO ASSIST IN THE INSTALLATION OF ENVIRONMENTAL MATERIALS, LLC ('MANUFACTURER') PRODUCT(S). THESE CONSTRUCTION DETAILS WILL NOT NECESSARILY APPLY TO EVERY DESIGN OR CONSTRUCTION CIRCUMSTANCES THAT YOU ENCOUNTER. THESE CONSTRUCTION DETAILS MAY REQUIRE MODIFICATION TO MEET YOUR PARTICULAR DESIGN REQUIREMENTS. MANUFACTURER ACCEPTS NO RESPONSIBILITY OR LIABILITY FOR USE OF THESE DRAWINGS OR OTHER CONSTRUCTION DETAILS.

CLIPSTONE®

Mortarless Stone Veneer

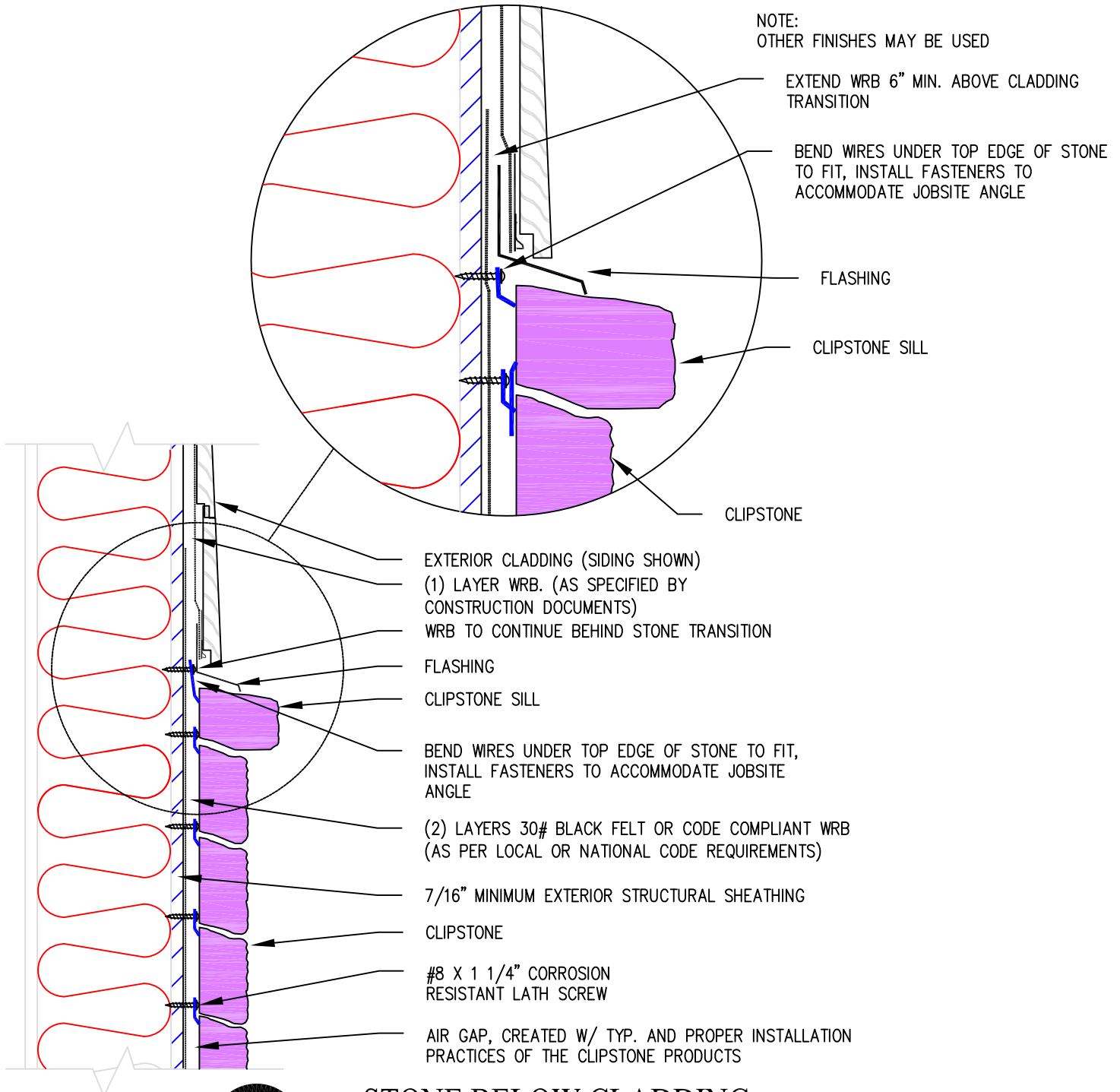


FIG-5

STONE BELOW CLADDING

SCALE 2" = 1'-0"

COPYRIGHT © 2021 ENVIRONMENTAL MATERIALS, LLC,
PART OF THE CORNERSTONE BUILDING BRANDS FAMILY

DISCLAIMER: THESE CONSTRUCTION DETAILS ARE PROVIDED TO ASSIST IN THE INSTALLATION OF ENVIRONMENTAL MATERIALS, LLC ("MANUFACTURER") PRODUCT(S). THESE CONSTRUCTION DETAILS WILL NOT NECESSARILY APPLY TO EVERY DESIGN OR CONSTRUCTION CIRCUMSTANCES THAT YOU ENCOUNTER. THESE CONSTRUCTION DETAILS MAY REQUIRE MODIFICATION TO MEET YOUR PARTICULAR DESIGN REQUIREMENTS. MANUFACTURER ACCEPTS NO RESPONSIBILITY OR LIABILITY FOR USE OF THESE DRAWINGS OR OTHER CONSTRUCTION DETAILS.

CLIPSTONE®

Mortarless Stone Veneer

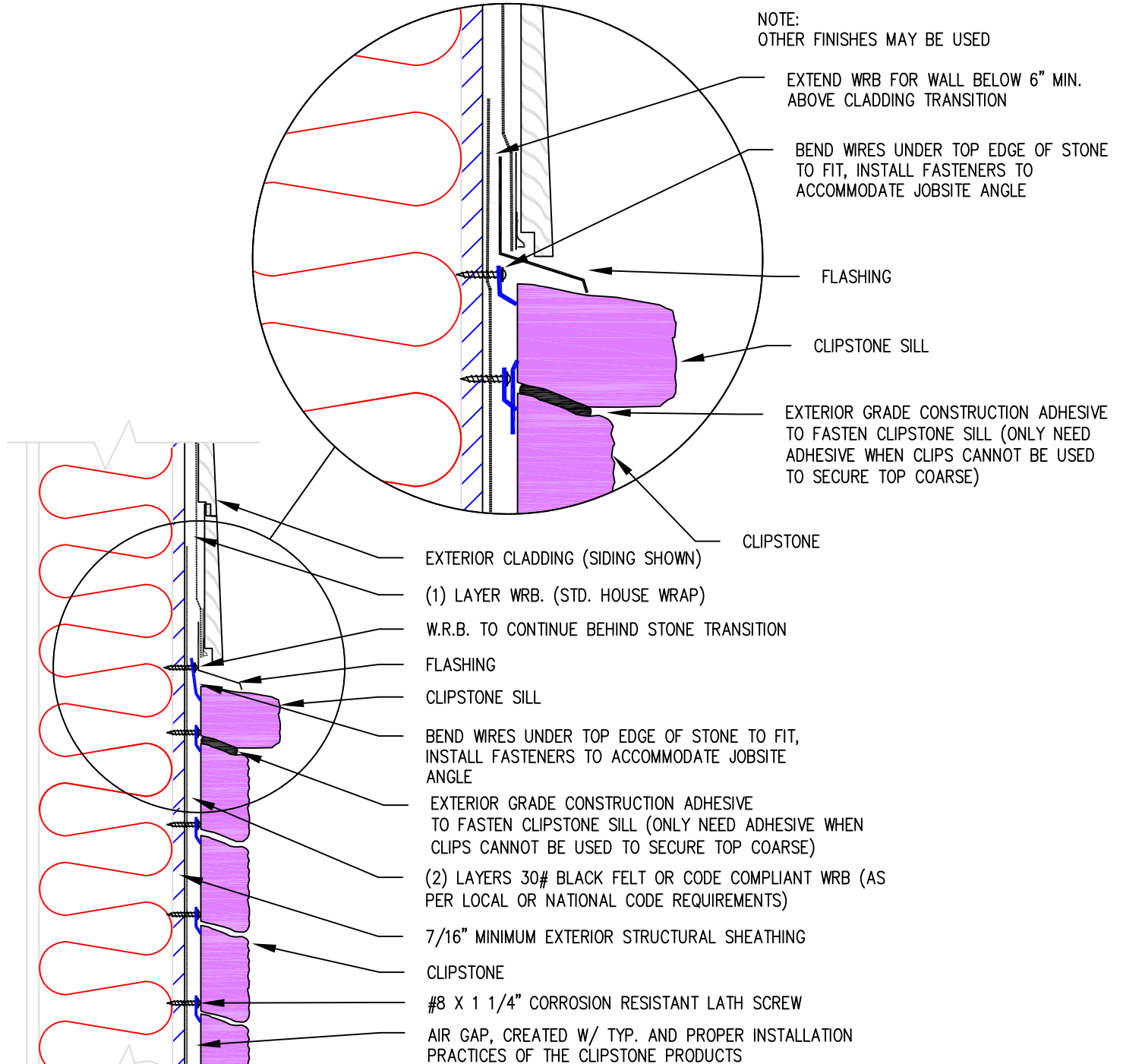


FIG-6

STONE BELOW CLADDING W/ ADHESIVE

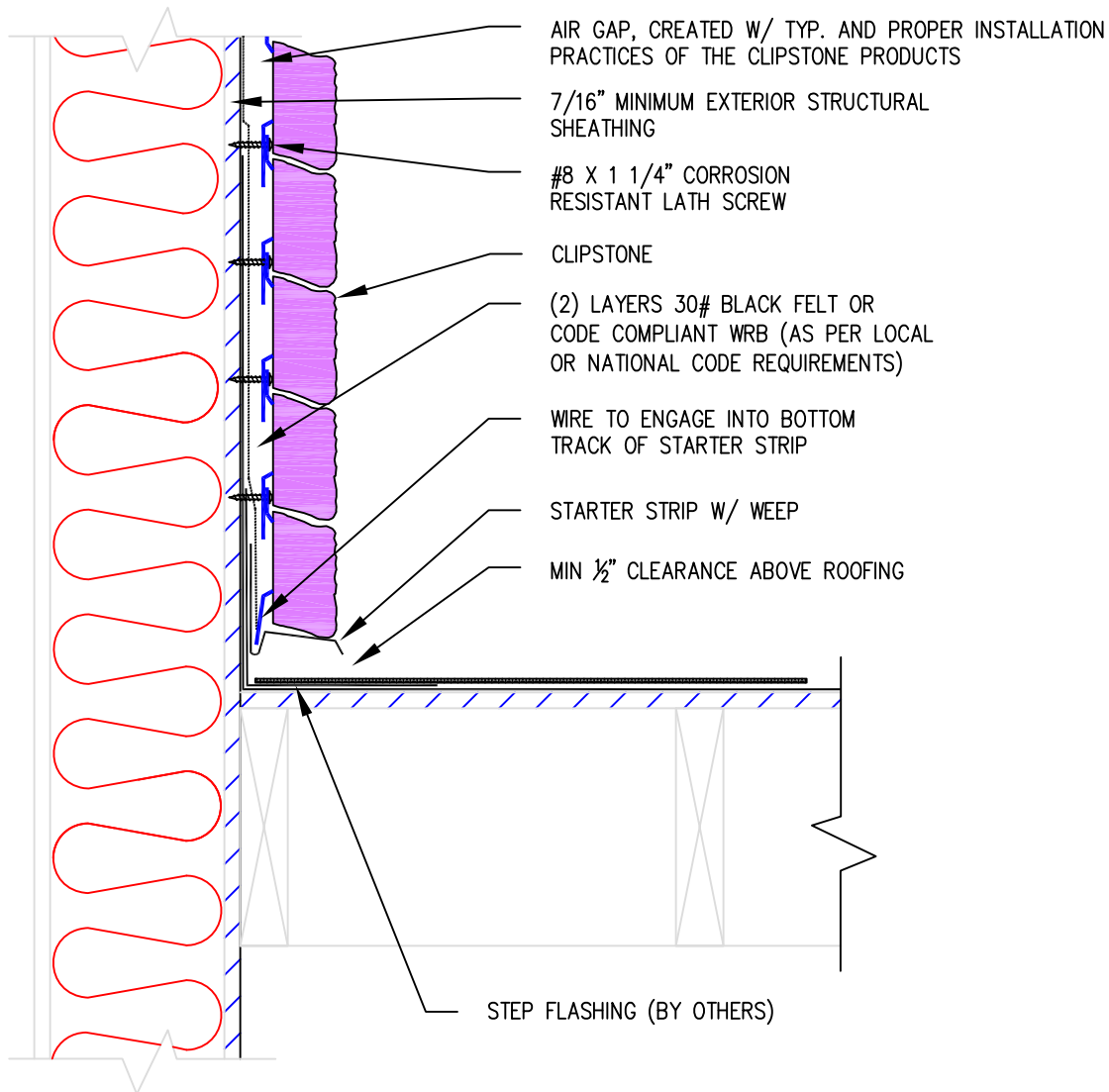
SCALE 2" = 1'-0"

COPYRIGHT © 2021 ENVIRONMENTAL MATERIALS, LLC,
PART OF THE CORNERSTONE BUILDING BRANDS FAMILY

DISCLAIMER: THESE CONSTRUCTION DETAILS ARE PROVIDED TO ASSIST IN THE INSTALLATION OF ENVIRONMENTAL MATERIALS, LLC ("MANUFACTURER") PRODUCT(S). THESE CONSTRUCTION DETAILS WILL NOT NECESSARILY APPLY TO EVERY DESIGN OR CONSTRUCTION CIRCUMSTANCES THAT YOU ENCOUNTER. THESE CONSTRUCTION DETAILS MAY REQUIRE MODIFICATION TO MEET YOUR PARTICULAR DESIGN REQUIREMENTS. MANUFACTURER ACCEPTS NO RESPONSIBILITY OR LIABILITY FOR USE OF THESE DRAWINGS OR OTHER CONSTRUCTION DETAILS.

CLIPSTONE®

Mortarless Stone Veneer



SIDE WALL FLASHING AT ROOF

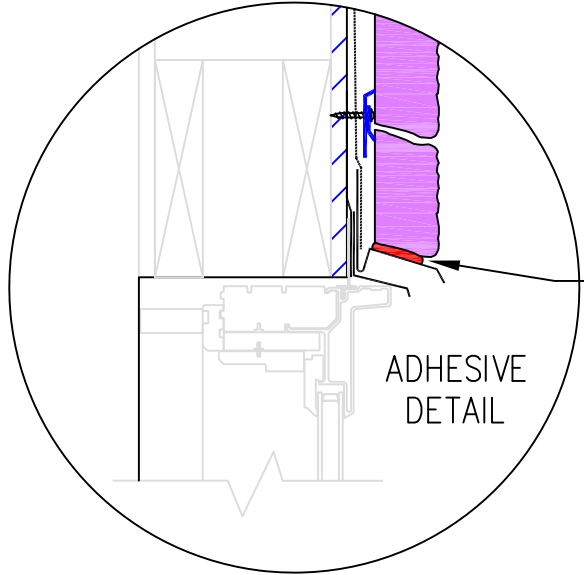
SCALE 2" = 1'-0"

COPYRIGHT © 2021 ENVIRONMENTAL MATERIALS, LLC,
PART OF THE CORNERSTONE BUILDING BRANDS FAMILY

DISCLAIMER: THESE CONSTRUCTION DETAILS ARE PROVIDED TO ASSIST IN THE INSTALLATION OF ENVIRONMENTAL MATERIALS, LLC ("MANUFACTURER") PRODUCT(S). THESE CONSTRUCTION DETAILS WILL NOT NECESSARILY APPLY TO EVERY DESIGN OR CONSTRUCTION CIRCUMSTANCES THAT YOU ENCOUNTER. THESE CONSTRUCTION DETAILS MAY REQUIRE MODIFICATION TO MEET YOUR PARTICULAR DESIGN REQUIREMENTS. MANUFACTURER ACCEPTS NO RESPONSIBILITY OR LIABILITY FOR USE OF THESE DRAWINGS OR OTHER CONSTRUCTION DETAILS.

CLIPSTONE®

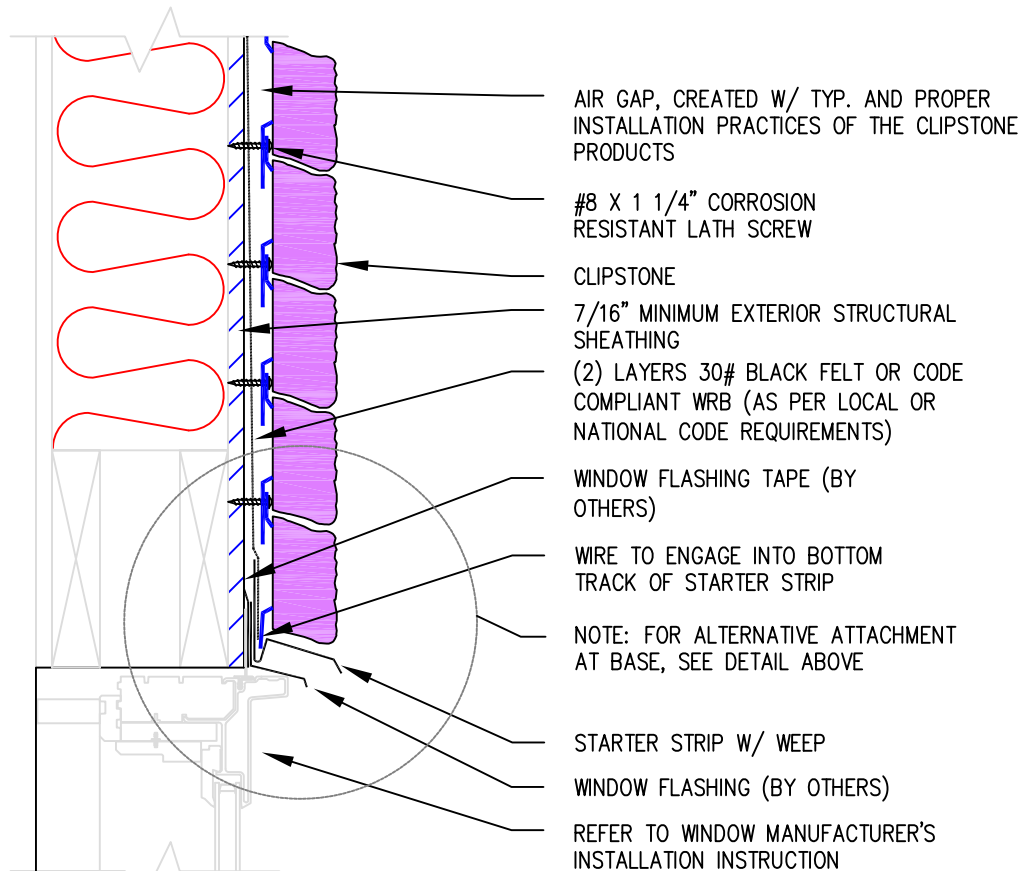
Mortarless Stone Veneer



EXTERIOR GRADE CONSTRUCTION ADHESIVE TO FASTEN CLIPSTONE

NOTE: ONLY NEED ADHESIVE WHEN CLIPS CANNOT BE USED TO SECURE TOP COARSE

ADHESIVE
DETAIL



AIR GAP, CREATED W/ TYP. AND PROPER INSTALLATION PRACTICES OF THE CLIPSTONE PRODUCTS

#8 X 1 1/4" CORROSION RESISTANT LATH SCREW

CLIPSTONE

7/16" MINIMUM EXTERIOR STRUCTURAL SHEATHING

(2) LAYERS 30# BLACK FELT OR CODE COMPLIANT WRB (AS PER LOCAL OR NATIONAL CODE REQUIREMENTS)

WINDOW FLASHING TAPE (BY OTHERS)

WIRE TO ENGAGE INTO BOTTOM TRACK OF STARTER STRIP

NOTE: FOR ALTERNATIVE ATTACHMENT AT BASE, SEE DETAIL ABOVE

STARTER STRIP W/ WEEP

WINDOW FLASHING (BY OTHERS)

REFER TO WINDOW MANUFACTURER'S INSTALLATION INSTRUCTION

WINDOW HEAD

FIG-8

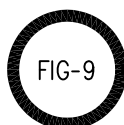
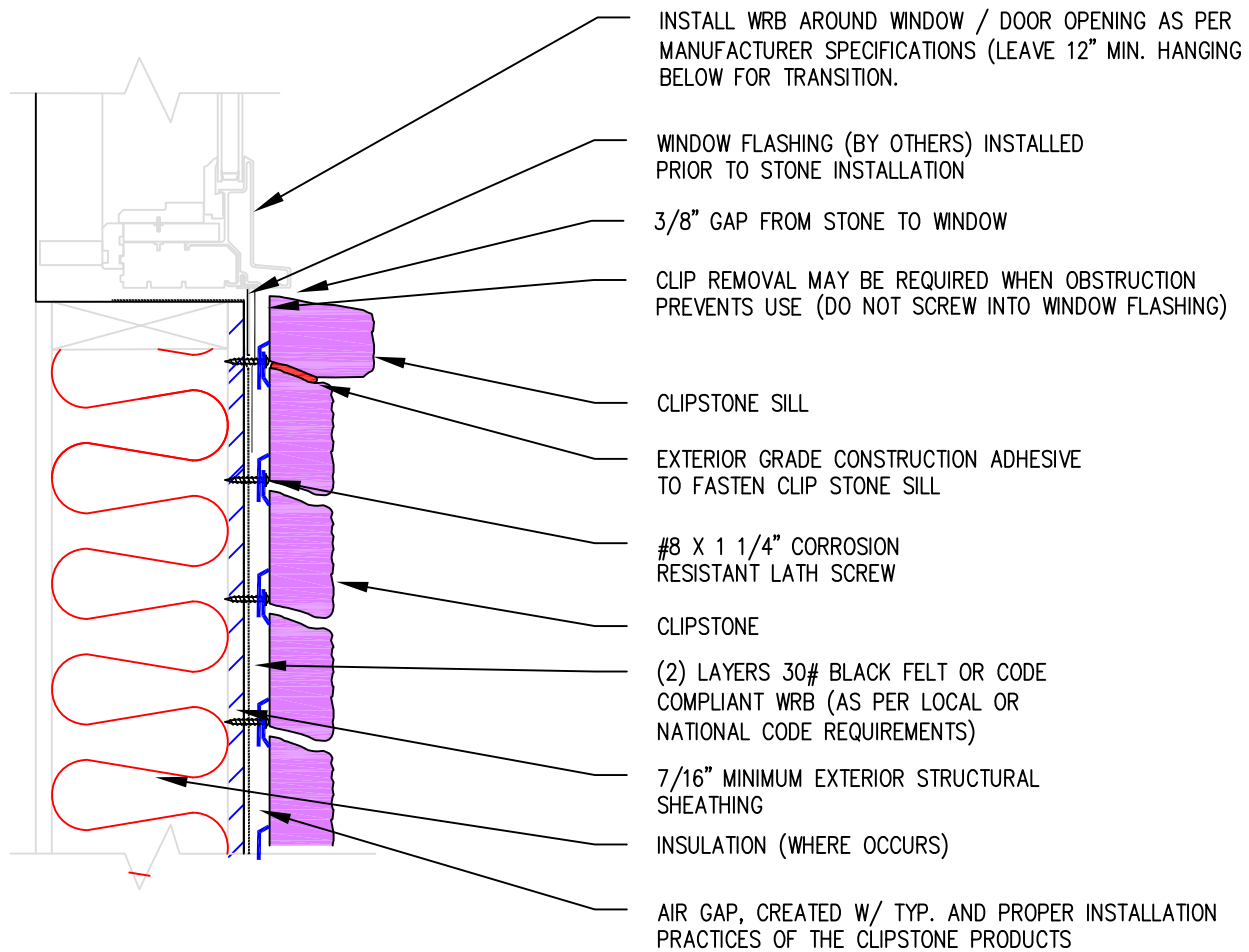
SCALE 2" = 1'-0"

COPYRIGHT © 2021 ENVIRONMENTAL MATERIALS, LLC,
PART OF THE CORNERSTONE BUILDING BRANDS' FAMILY

DISCLAIMER: THESE CONSTRUCTION DETAILS ARE PROVIDED TO ASSIST IN THE INSTALLATION OF ENVIRONMENTAL MATERIALS, LLC ("MANUFACTURER") PRODUCT(S). THESE CONSTRUCTION DETAILS WILL NOT NECESSARILY APPLY TO EVERY DESIGN OR CONSTRUCTION CIRCUMSTANCES THAT YOU ENCOUNTER. THESE CONSTRUCTION DETAILS MAY REQUIRE MODIFICATION TO MEET YOUR PARTICULAR DESIGN REQUIREMENTS. MANUFACTURER ACCEPTS NO RESPONSIBILITY OR LIABILITY FOR USE OF THESE DRAWINGS OR OTHER CONSTRUCTION DETAILS.

CLIPSTONE®

Mortarless Stone Veneer



WINDOW SILL W / STONE DRIP LEDGE

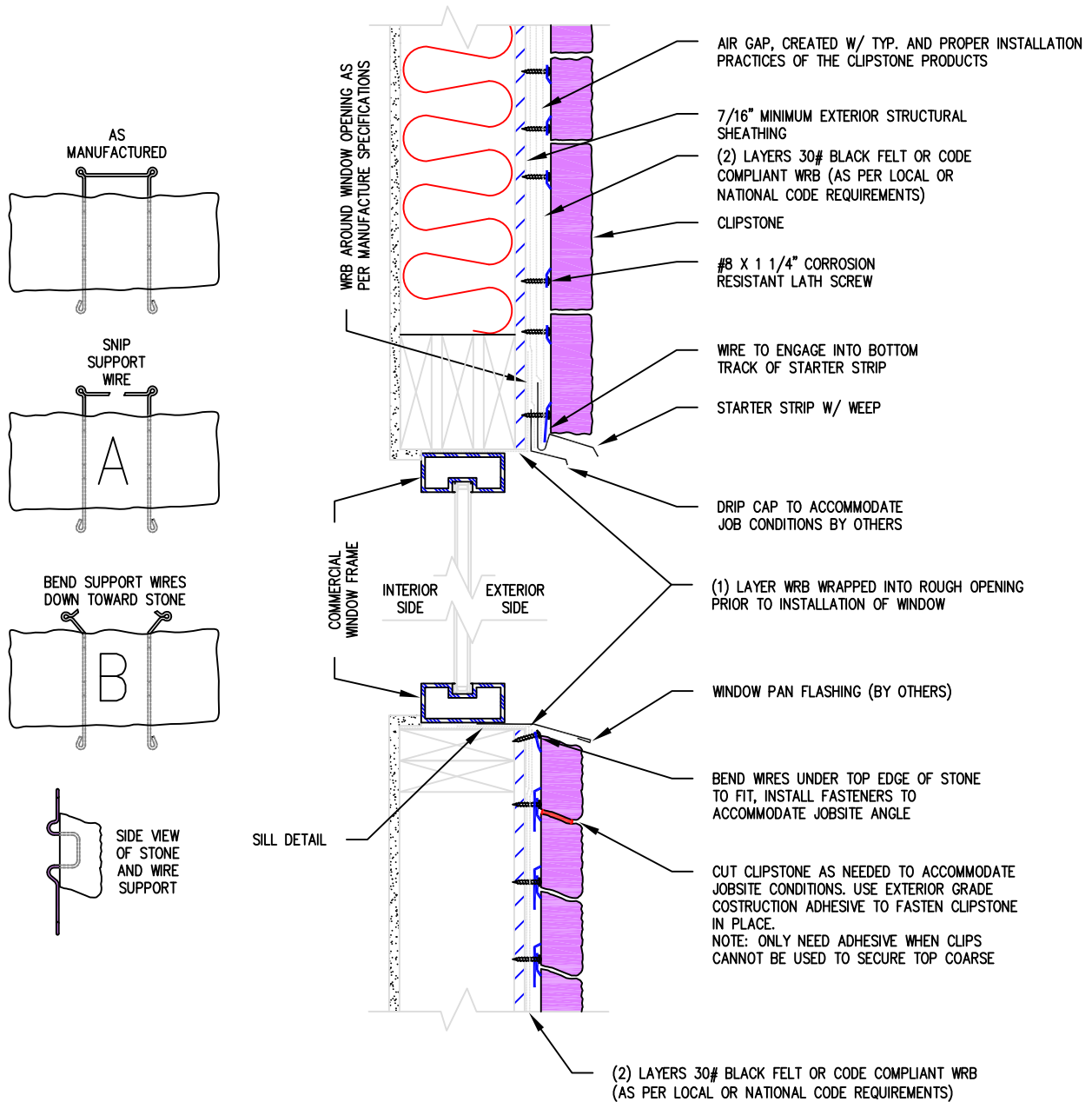
SCALE 2" = 1'-0"

COPYRIGHT © 2021 ENVIRONMENTAL MATERIALS, LLC,
PART OF THE CORNERSTONE BUILDING BRANDS FAMILY

DISCLAIMER: THESE CONSTRUCTION DETAILS ARE PROVIDED TO ASSIST IN THE INSTALLATION OF ENVIRONMENTAL MATERIALS, LLC ("MANUFACTURER") PRODUCT(S). THESE CONSTRUCTION DETAILS WILL NOT NECESSARILY APPLY TO EVERY DESIGN OR CONSTRUCTION CIRCUMSTANCES THAT YOU ENCOUNTER. THESE CONSTRUCTION DETAILS MAY REQUIRE MODIFICATION TO MEET YOUR PARTICULAR DESIGN REQUIREMENTS. MANUFACTURER ACCEPTS NO RESPONSIBILITY OR LIABILITY FOR USE OF THESE DRAWINGS OR OTHER CONSTRUCTION DETAILS.

CLIPSTONE®

Mortarless Stone Veneer



WINDOW - HEADER AND SILL W/ OUT STONE DRIP LEDGE

FIG-10

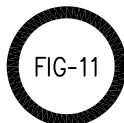
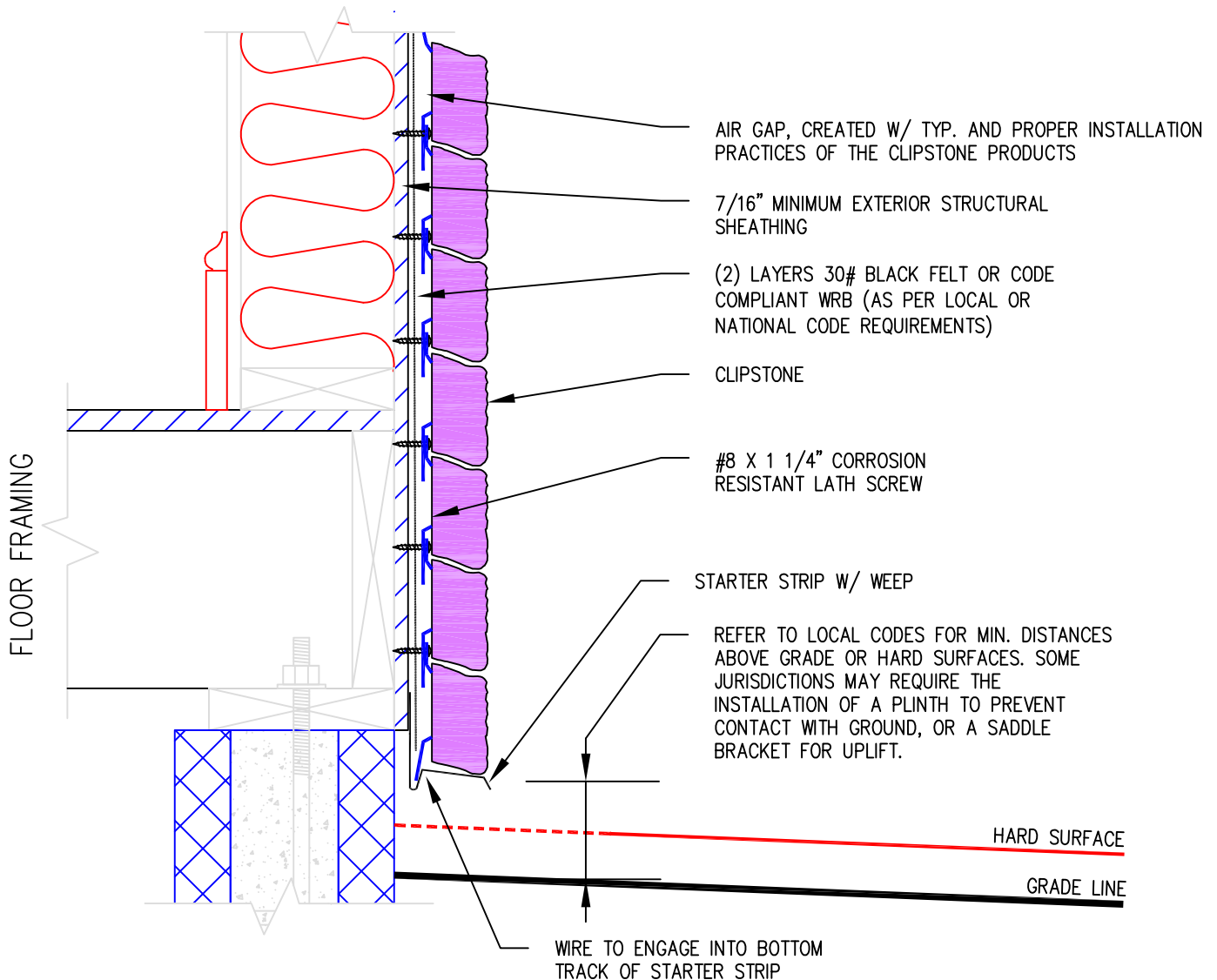
SCALE 1 1/2" = 1'-0"

COPYRIGHT © 2021 ENVIRONMENTAL MATERIALS, LLC,
PART OF THE CORNERSTONE BUILDING BRANDS FAMILY

DISCLAIMER: THESE CONSTRUCTION DETAILS ARE PROVIDED TO ASSIST IN THE INSTALLATION OF ENVIRONMENTAL MATERIALS, LLC ("MANUFACTURER") PRODUCT(S). THESE CONSTRUCTION DETAILS WILL NOT NECESSARILY APPLY TO EVERY DESIGN OR CONSTRUCTION CIRCUMSTANCES THAT YOU ENCOUNTER. THESE CONSTRUCTION DETAILS MAY REQUIRE MODIFICATION TO MEET YOUR PARTICULAR DESIGN REQUIREMENTS. MANUFACTURER ACCEPTS NO RESPONSIBILITY OR LIABILITY FOR USE OF THESE DRAWINGS OR OTHER CONSTRUCTION DETAILS.

CLIPSTONE®

Mortarless Stone Veneer



FOUNDATION WALL @ BASE

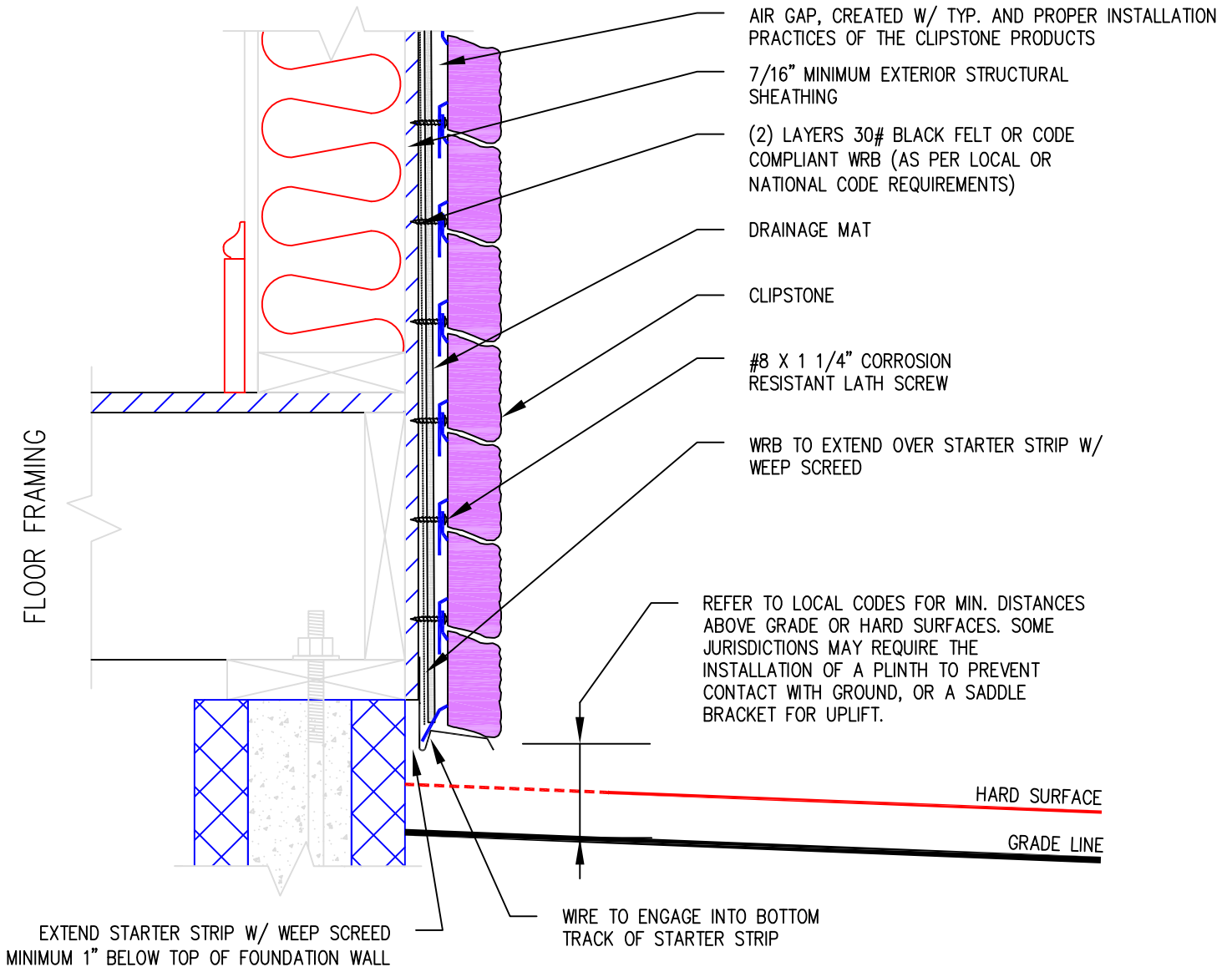
SCALE 2" = 1'-0"

COPYRIGHT © 2021 ENVIRONMENTAL MATERIALS, LLC,
PART OF THE CORNERSTONE BUILDING BRANDS FAMILY

DISCLAIMER: THESE CONSTRUCTION DETAILS ARE PROVIDED TO ASSIST IN THE INSTALLATION OF ENVIRONMENTAL MATERIALS, LLC ("MANUFACTURER") PRODUCT(S). THESE CONSTRUCTION DETAILS WILL NOT NECESSARILY APPLY TO EVERY DESIGN OR CONSTRUCTION CIRCUMSTANCES THAT YOU ENCOUNTER. THESE CONSTRUCTION DETAILS MAY REQUIRE MODIFICATION TO MEET YOUR PARTICULAR DESIGN REQUIREMENTS. MANUFACTURER ACCEPTS NO RESPONSIBILITY OR LIABILITY FOR USE OF THESE DRAWINGS OR OTHER CONSTRUCTION DETAILS.

CLIPSTONE®

Mortarless Stone Veneer



FOUNDATION/ WALL @ BASE W/ (OPTIONAL) DRAINAGE MAT

FIG-12

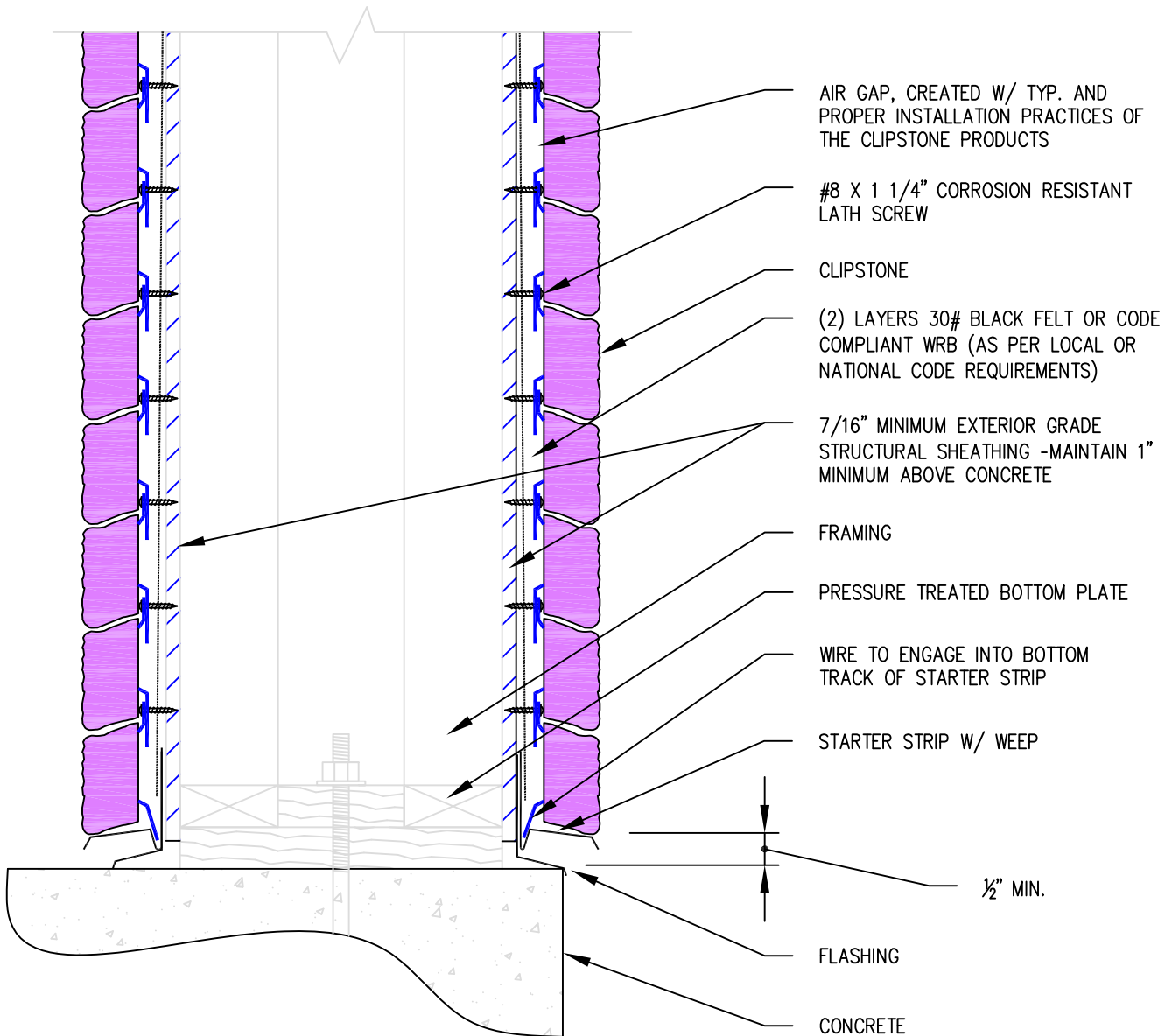
SCALE 2" = 1'-0"

COPYRIGHT © 2021 ENVIRONMENTAL MATERIALS, LLC,
PART OF THE CORNERSTONE BUILDING BRANDS FAMILY

DISCLAIMER: THESE CONSTRUCTION DETAILS ARE PROVIDED TO ASSIST IN THE INSTALLATION OF ENVIRONMENTAL MATERIALS, LLC ('MANUFACTURER') PRODUCT(S). THESE CONSTRUCTION DETAILS WILL NOT NECESSARILY APPLY TO EVERY DESIGN OR CONSTRUCTION CIRCUMSTANCES THAT YOU ENCOUNTER. THESE CONSTRUCTION DETAILS MAY REQUIRE MODIFICATION TO MEET YOUR PARTICULAR DESIGN REQUIREMENTS. MANUFACTURER ACCEPTS NO RESPONSIBILITY OR LIABILITY FOR USE OF THESE DRAWINGS OR OTHER CONSTRUCTION DETAILS.

CLIPSTONE®

Mortarless Stone Veneer



WOOD COLUMN BASE

FIG-13

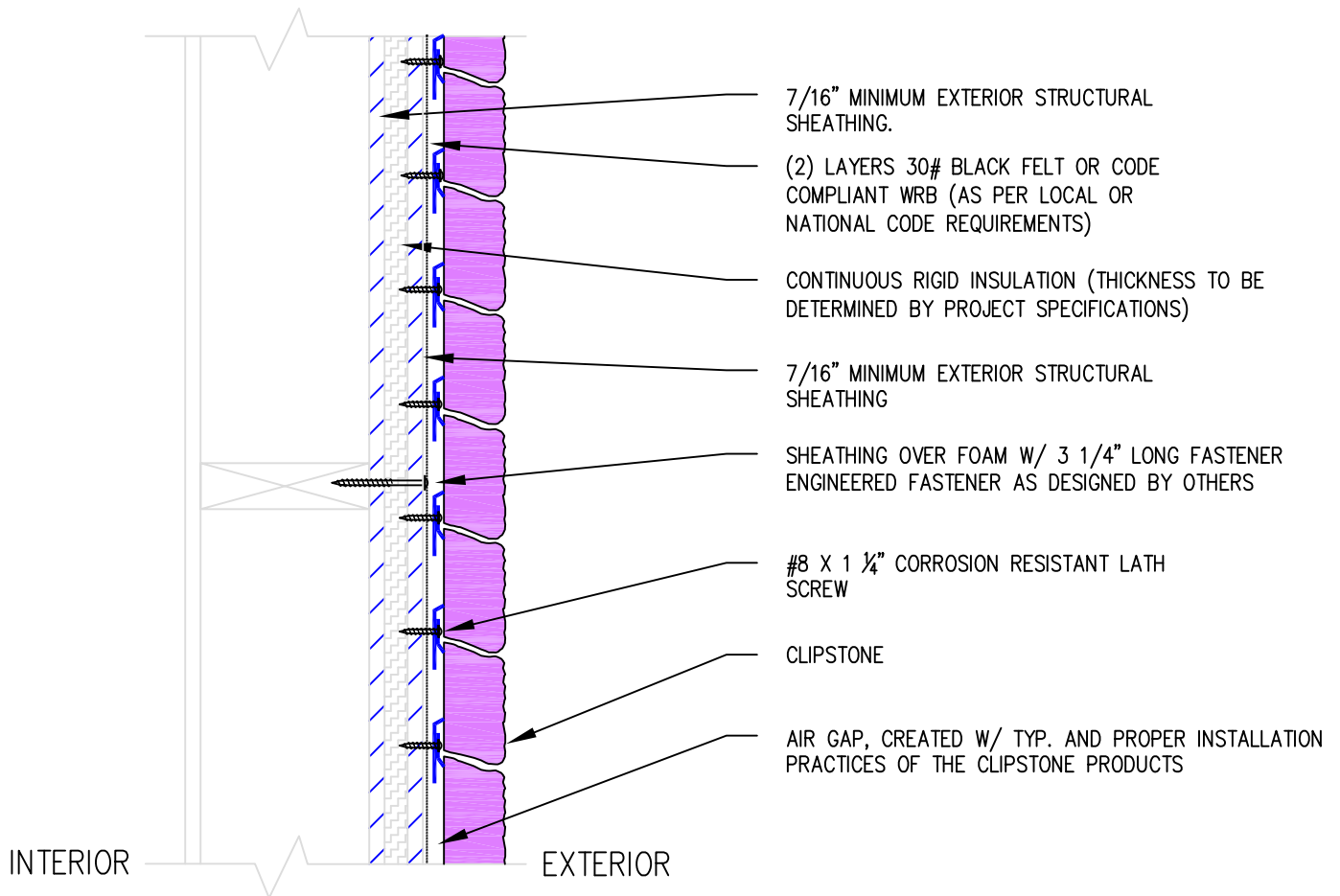
SCALE 2" = 1'-0"

COPYRIGHT © 2021 ENVIRONMENTAL MATERIALS, LLC,
PART OF THE CORNERSTONE BUILDING BRANDS FAMILY

DISCLAIMER: THESE CONSTRUCTION DETAILS ARE PROVIDED TO ASSIST IN THE INSTALLATION OF ENVIRONMENTAL MATERIALS, LLC ("MANUFACTURER") PRODUCT(S). THESE CONSTRUCTION DETAILS WILL NOT NECESSARILY APPLY TO EVERY DESIGN OR CONSTRUCTION CIRCUMSTANCES THAT YOU ENCOUNTER. THESE CONSTRUCTION DETAILS MAY REQUIRE MODIFICATION TO MEET YOUR PARTICULAR DESIGN REQUIREMENTS. MANUFACTURER ACCEPTS NO RESPONSIBILITY OR LIABILITY FOR USE OF THESE DRAWINGS OR OTHER CONSTRUCTION DETAILS.

CLIPSTONE®

Mortarless Stone Veneer



WALL OVER

CONTINUOUS RIGID INSULATION

FIG-14

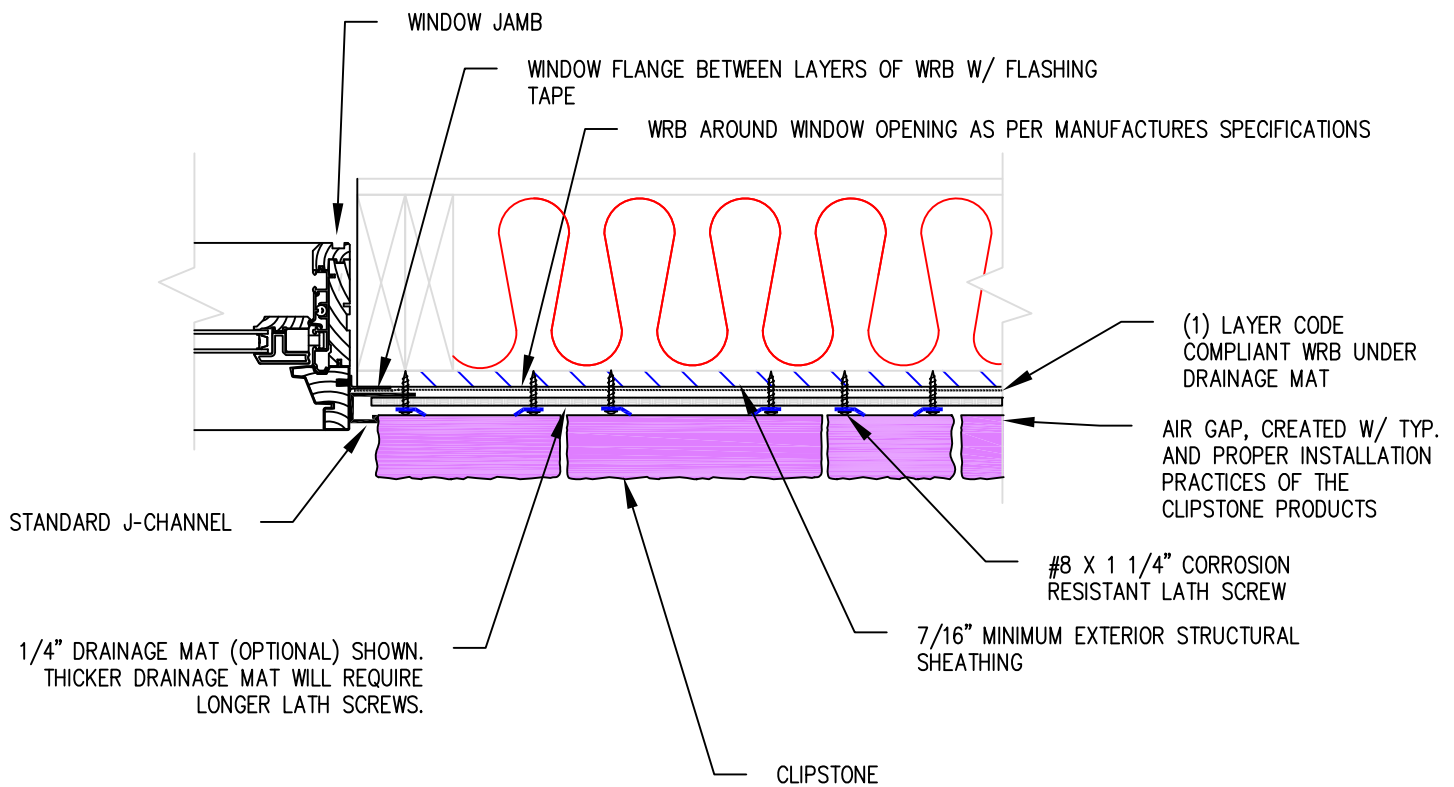
SCALE 2" = 1'-0"

COPYRIGHT © 2021 ENVIRONMENTAL MATERIALS, LLC,
PART OF THE CORNERSTONE BUILDING BRANDS FAMILY

DISCLAIMER: THESE CONSTRUCTION DETAILS ARE PROVIDED TO ASSIST IN THE INSTALLATION OF ENVIRONMENTAL MATERIALS, LLC ("MANUFACTURER") PRODUCT(S). THESE CONSTRUCTION DETAILS WILL NOT NECESSARILY APPLY TO EVERY DESIGN OR CONSTRUCTION CIRCUMSTANCES THAT YOU ENCOUNTER. THESE CONSTRUCTION DETAILS MAY REQUIRE MODIFICATION TO MEET YOUR PARTICULAR DESIGN REQUIREMENTS. MANUFACTURER ACCEPTS NO RESPONSIBILITY OR LIABILITY FOR USE OF THESE DRAWINGS OR OTHER CONSTRUCTION DETAILS.

CLIPSTONE®

Mortarless Stone Veneer



TOP VIEW
WINDOW JAMB
- OPT DRAINAGE MAT

FIG-15

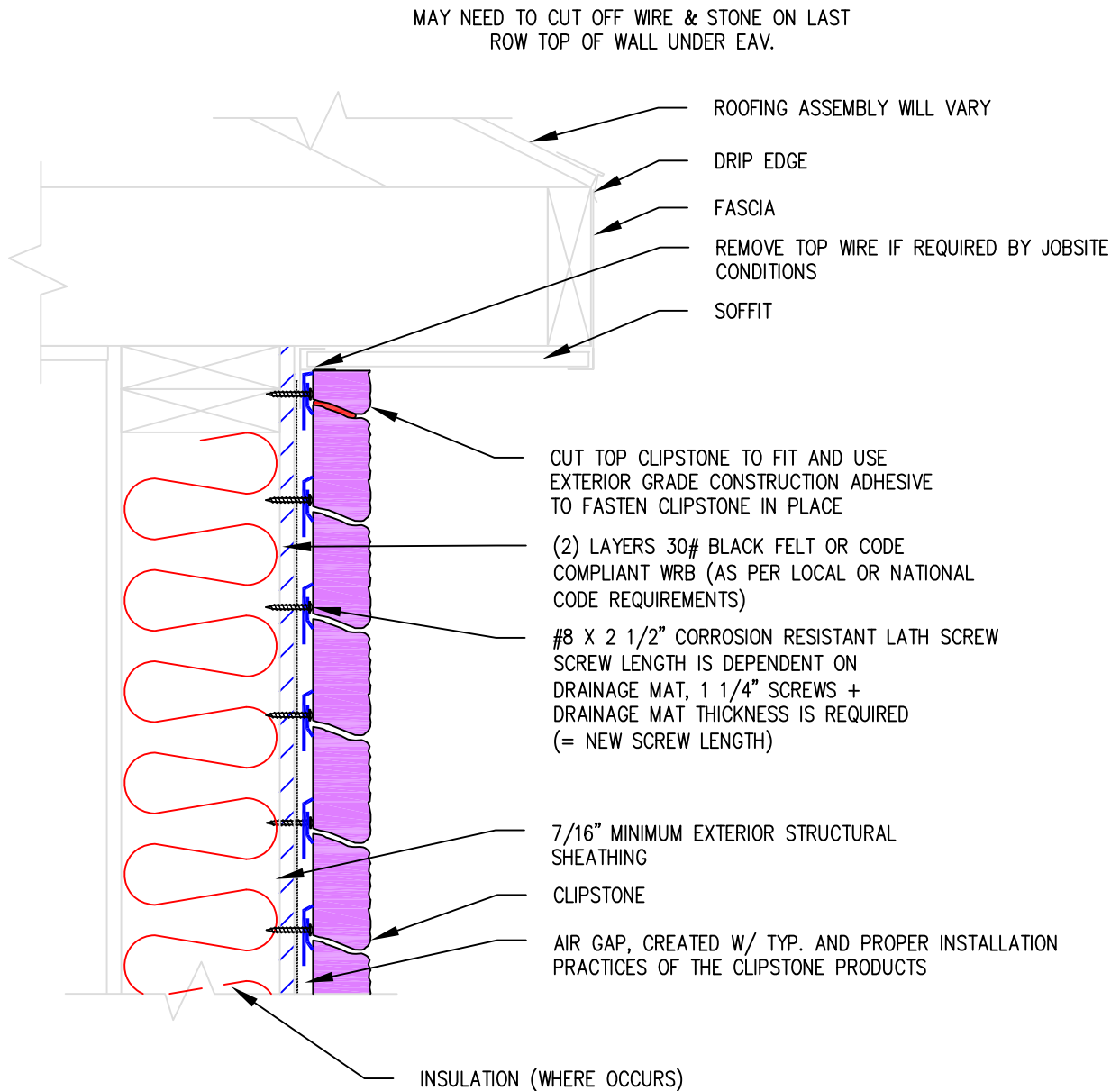
SCALE 2" = 1'-0"

COPYRIGHT © 2021 ENVIRONMENTAL MATERIALS, LLC,
PART OF THE CORNERSTONE BUILDING BRANDS FAMILY

DISCLAIMER: THESE CONSTRUCTION DETAILS ARE PROVIDED TO ASSIST IN THE INSTALLATION OF ENVIRONMENTAL MATERIALS, LLC ("MANUFACTURER") PRODUCT(S). THESE CONSTRUCTION DETAILS WILL NOT NECESSARILY APPLY TO EVERY DESIGN OR CONSTRUCTION CIRCUMSTANCES THAT YOU ENCOUNTER. THESE CONSTRUCTION DETAILS MAY REQUIRE MODIFICATION TO MEET YOUR PARTICULAR DESIGN REQUIREMENTS. MANUFACTURER ACCEPTS NO RESPONSIBILITY OR LIABILITY FOR USE OF THESE DRAWINGS OR OTHER CONSTRUCTION DETAILS.

CLIPSTONE®

Mortarless Stone Veneer



TOP OF WALL @ SOFFIT

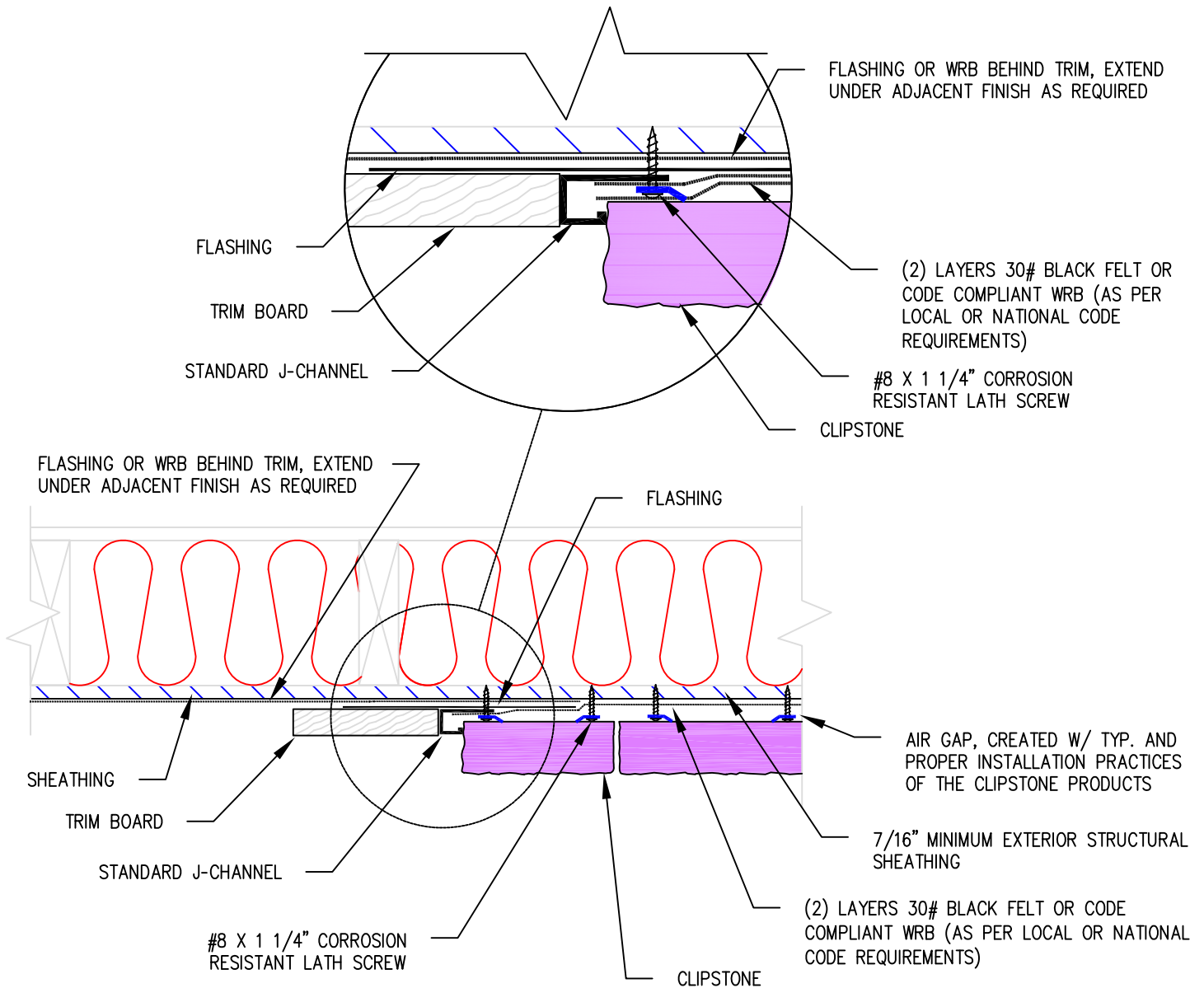
SCALE 2" = 1'-0"

COPYRIGHT © 2021 ENVIRONMENTAL MATERIALS, LLC,
PART OF THE CORNERSTONE BUILDING BRANDS FAMILY

DISCLAIMER: THESE CONSTRUCTION DETAILS ARE PROVIDED TO ASSIST IN THE INSTALLATION OF ENVIRONMENTAL MATERIALS, LLC ("MANUFACTURER") PRODUCT(S). THESE CONSTRUCTION DETAILS WILL NOT NECESSARILY APPLY TO EVERY DESIGN OR CONSTRUCTION CIRCUMSTANCES THAT YOU ENCOUNTER. THESE CONSTRUCTION DETAILS MAY REQUIRE MODIFICATION TO MEET YOUR PARTICULAR DESIGN REQUIREMENTS. MANUFACTURER ACCEPTS NO RESPONSIBILITY OR LIABILITY FOR USE OF THESE DRAWINGS OR OTHER CONSTRUCTION DETAILS.

CLIPSTONE®

Mortarless Stone Veneer



VERTICAL TRANSITION @ DISSIMILAR MATERIAL



SCALE 2" = 1'-0"

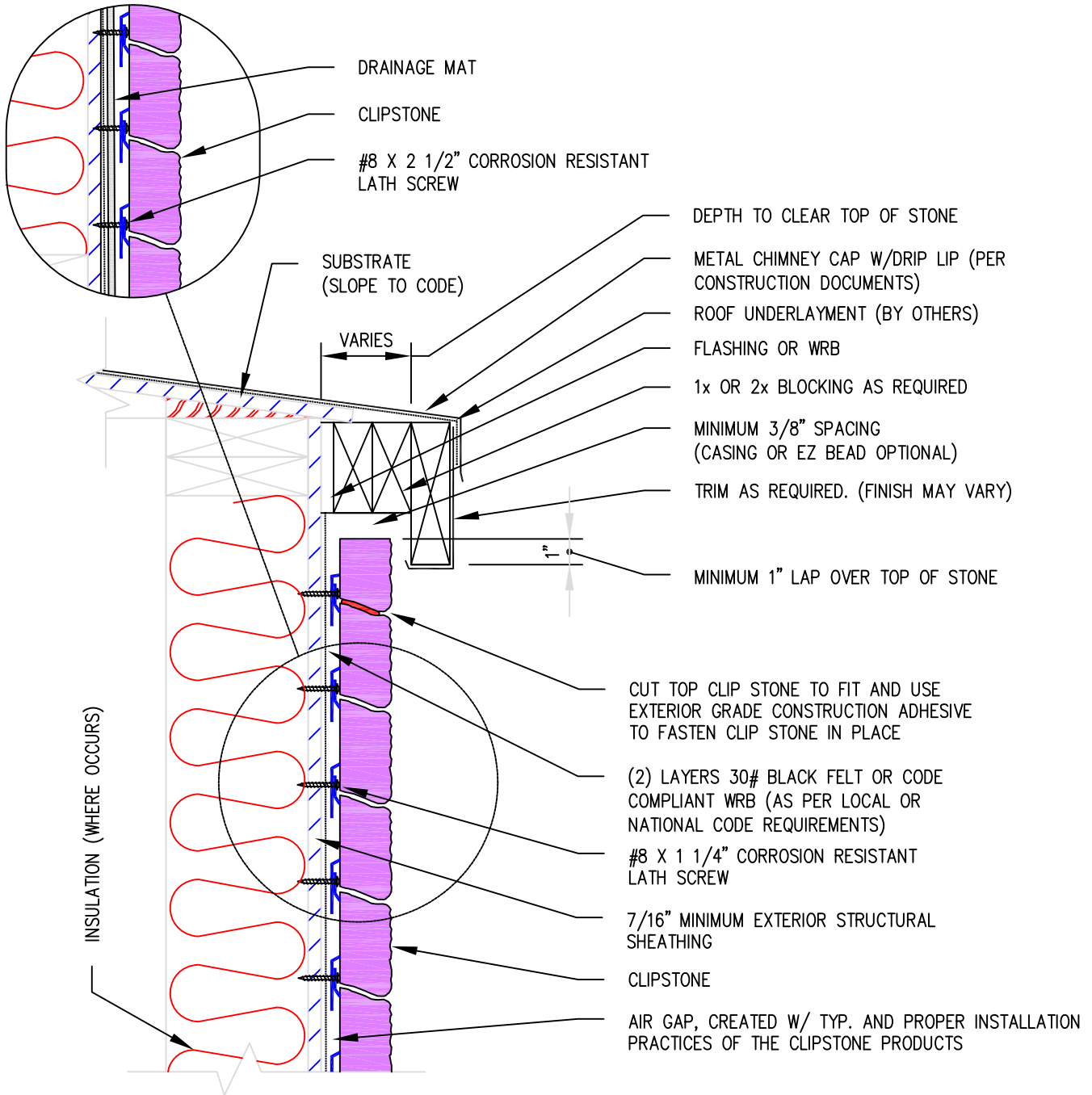
COPYRIGHT © 2021 ENVIRONMENTAL MATERIALS, LLC,
PART OF THE CORNERSTONE BUILDING BRANDS FAMILY

DISCLAIMER: THESE CONSTRUCTION DETAILS ARE PROVIDED TO ASSIST IN THE INSTALLATION OF ENVIRONMENTAL MATERIALS, LLC ("MANUFACTURER") PRODUCT(S). THESE CONSTRUCTION DETAILS WILL NOT NECESSARILY APPLY TO EVERY DESIGN OR CONSTRUCTION CIRCUMSTANCES THAT YOU ENCOUNTER. THESE CONSTRUCTION DETAILS MAY REQUIRE MODIFICATION TO MEET YOUR PARTICULAR DESIGN REQUIREMENTS. MANUFACTURER ACCEPTS NO RESPONSIBILITY OR LIABILITY FOR USE OF THESE DRAWINGS OR OTHER CONSTRUCTION DETAILS.

CLIPSTONE®

Mortarless Stone Veneer

OPTIONAL DRAINAGE MAT DETAIL



CHIMNEY CAP

FIG-18

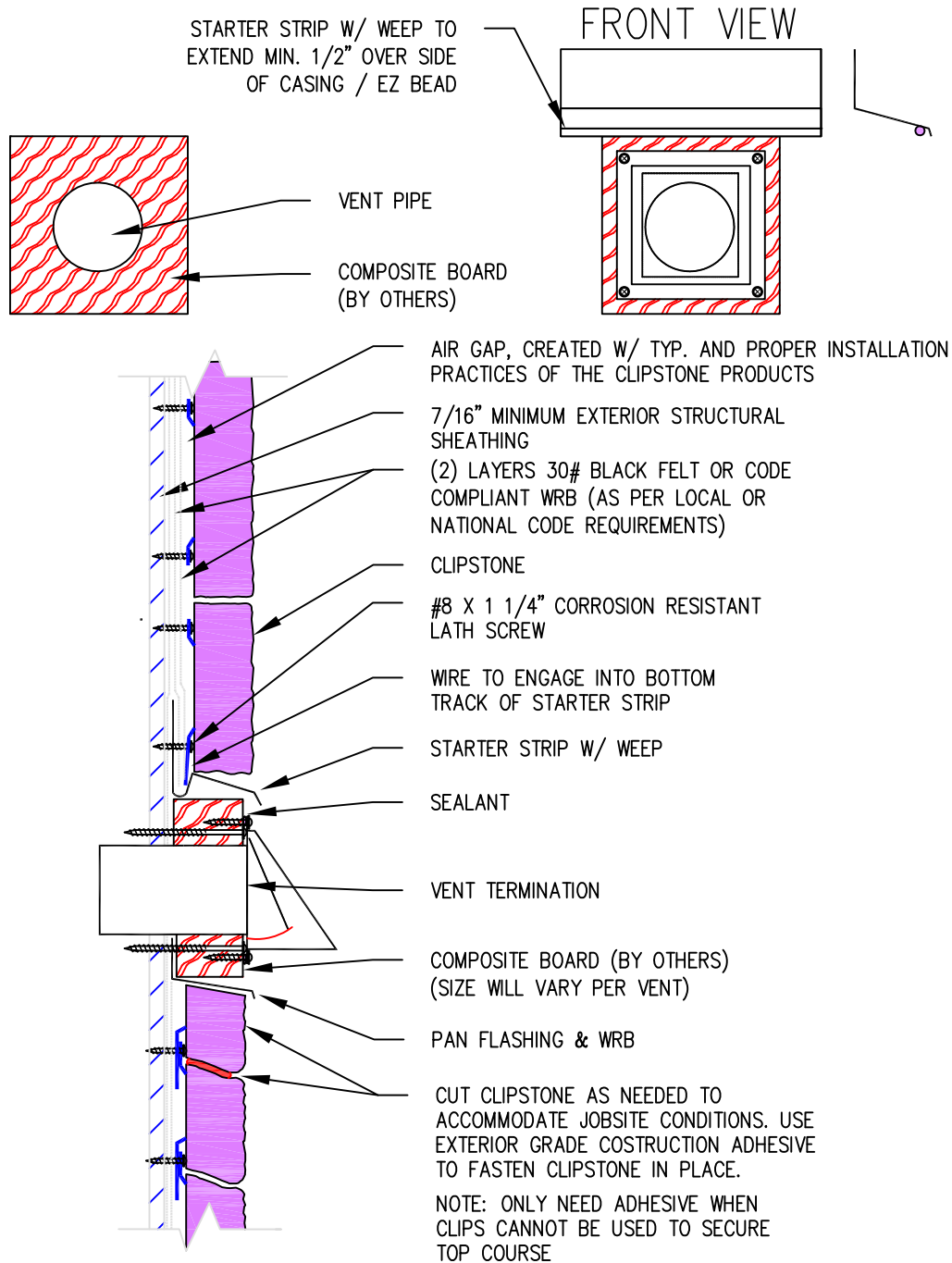
SCALE 2" = 1'-0"

COPYRIGHT © 2021 ENVIRONMENTAL MATERIALS, LLC,
PART OF THE CORNERSTONE BUILDING BRANDS FAMILY

DISCLAIMER: THESE CONSTRUCTION DETAILS ARE PROVIDED TO ASSIST IN THE INSTALLATION OF ENVIRONMENTAL MATERIALS, LLC ("MANUFACTURER") PRODUCT(S). THESE CONSTRUCTION DETAILS WILL NOT NECESSARILY APPLY TO EVERY DESIGN OR CONSTRUCTION CIRCUMSTANCES THAT YOU ENCOUNTER. THESE CONSTRUCTION DETAILS MAY REQUIRE MODIFICATION TO MEET YOUR PARTICULAR DESIGN REQUIREMENTS. MANUFACTURER ACCEPTS NO RESPONSIBILITY OR LIABILITY FOR USE OF THESE DRAWINGS OR OTHER CONSTRUCTION DETAILS.

CLIPSTONE®

Mortarless Stone Veneer



DRYER VENT



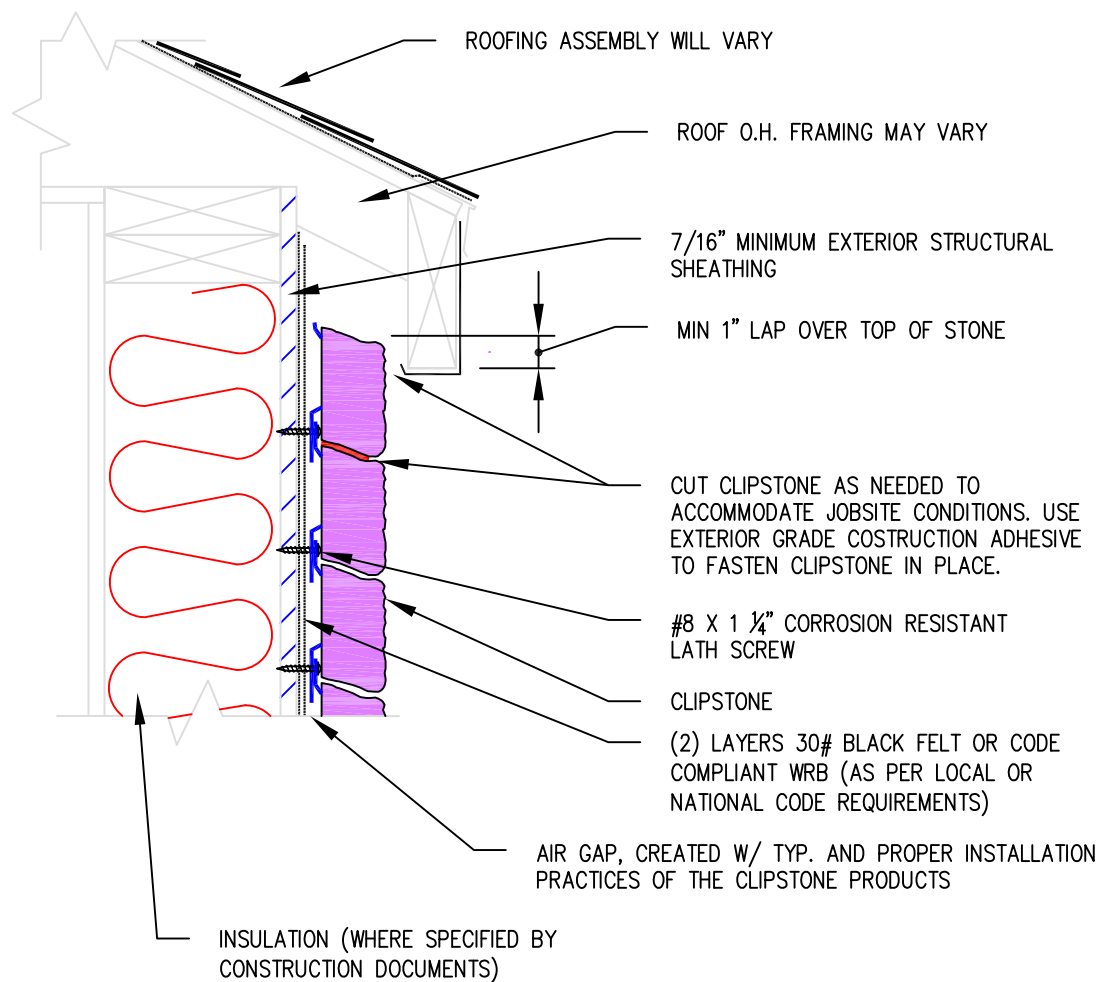
SCALE 2" = 1'-0"

COPYRIGHT © 2021 ENVIRONMENTAL MATERIALS, LLC,
PART OF THE CORNERSTONE BUILDING BRANDS' FAMILY

DISCLAIMER: THESE CONSTRUCTION DETAILS ARE PROVIDED TO ASSIST IN THE INSTALLATION OF ENVIRONMENTAL MATERIALS, LLC ('MANUFACTURER') PRODUCT(S). THESE CONSTRUCTION DETAILS WILL NOT NECESSARILY APPLY TO EVERY DESIGN OR CONSTRUCTION CIRCUMSTANCES THAT YOU ENCOUNTER. THESE CONSTRUCTION DETAILS MAY REQUIRE MODIFICATION TO MEET YOUR PARTICULAR DESIGN REQUIREMENTS. MANUFACTURER ACCEPTS NO RESPONSIBILITY OR LIABILITY FOR USE OF THESE DRAWINGS OR OTHER CONSTRUCTION DETAILS.

CLIPSTONE®

Mortarless Stone Veneer



STONE UNDER STRAIGHT OVERHANG

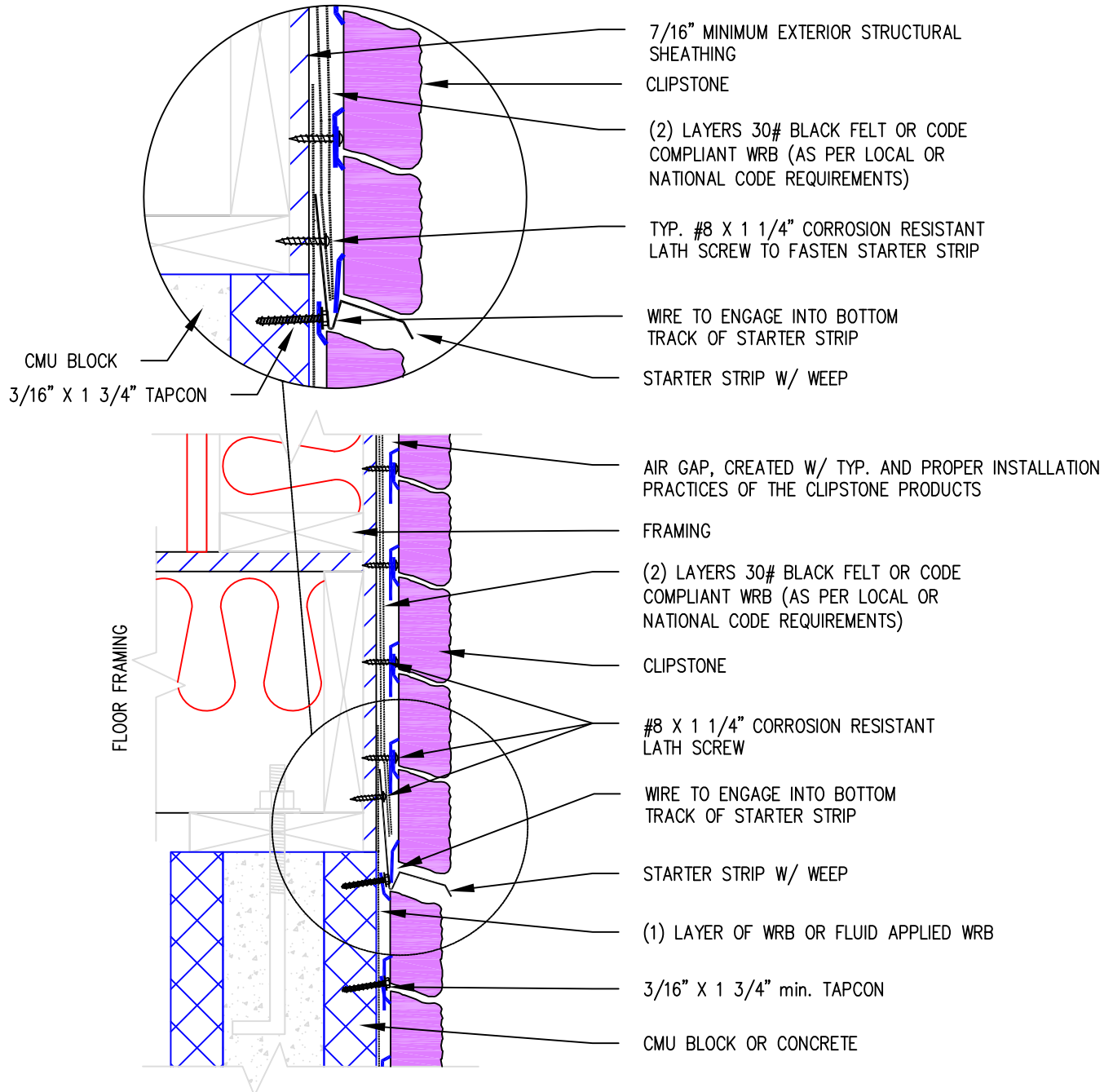
SCALE 2" = 1'-0"

COPYRIGHT © 2021 ENVIRONMENTAL MATERIALS, LLC,
PART OF THE CORNERSTONE BUILDING BRANDS FAMILY

DISCLAIMER: THESE CONSTRUCTION DETAILS ARE PROVIDED TO ASSIST IN THE INSTALLATION OF ENVIRONMENTAL MATERIALS, LLC ("MANUFACTURER") PRODUCT(S). THESE CONSTRUCTION DETAILS WILL NOT NECESSARILY APPLY TO EVERY DESIGN OR CONSTRUCTION CIRCUMSTANCES THAT YOU ENCOUNTER. THESE CONSTRUCTION DETAILS MAY REQUIRE MODIFICATION TO MEET YOUR PARTICULAR DESIGN REQUIREMENTS. MANUFACTURER ACCEPTS NO RESPONSIBILITY OR LIABILITY FOR USE OF THESE DRAWINGS OR OTHER CONSTRUCTION DETAILS.

CLIPSTONE®

Mortarless Stone Veneer



MULTI STORY-MASONRY WALL TO FRAMED WALL CONTROL JOINT



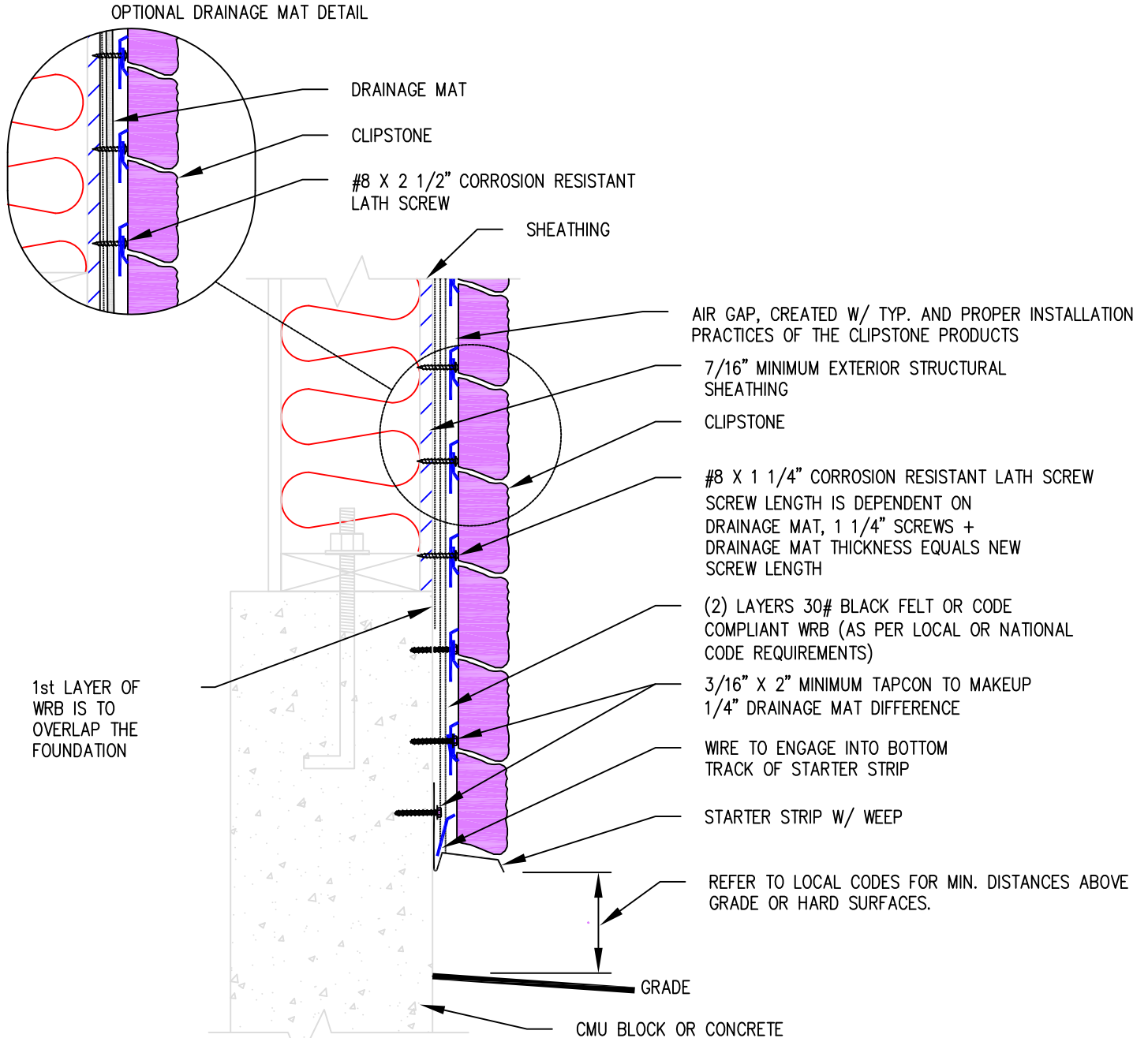
SCALE 2" = 1'-0"

COPYRIGHT © 2021 ENVIRONMENTAL MATERIALS, LLC,
PART OF THE CORNERSTONE BUILDING BRANDS FAMILY

DISCLAIMER: THESE CONSTRUCTION DETAILS ARE PROVIDED TO ASSIST IN THE INSTALLATION OF ENVIRONMENTAL MATERIALS, LLC ("MANUFACTURER") PRODUCT(S). THESE CONSTRUCTION DETAILS WILL NOT NECESSARILY APPLY TO EVERY DESIGN OR CONSTRUCTION CIRCUMSTANCES THAT YOU ENCOUNTER. THESE CONSTRUCTION DETAILS MAY REQUIRE MODIFICATION TO MEET YOUR PARTICULAR DESIGN REQUIREMENTS. MANUFACTURER ACCEPTS NO RESPONSIBILITY OR LIABILITY FOR USE OF THESE DRAWINGS OR OTHER CONSTRUCTION DETAILS.

CLIPSTONE®

Mortarless Stone Veneer



STONE-CONTINUE OVER FOUNDATION, W/ DRAINAGE MAT @ GRADE

FIG-22

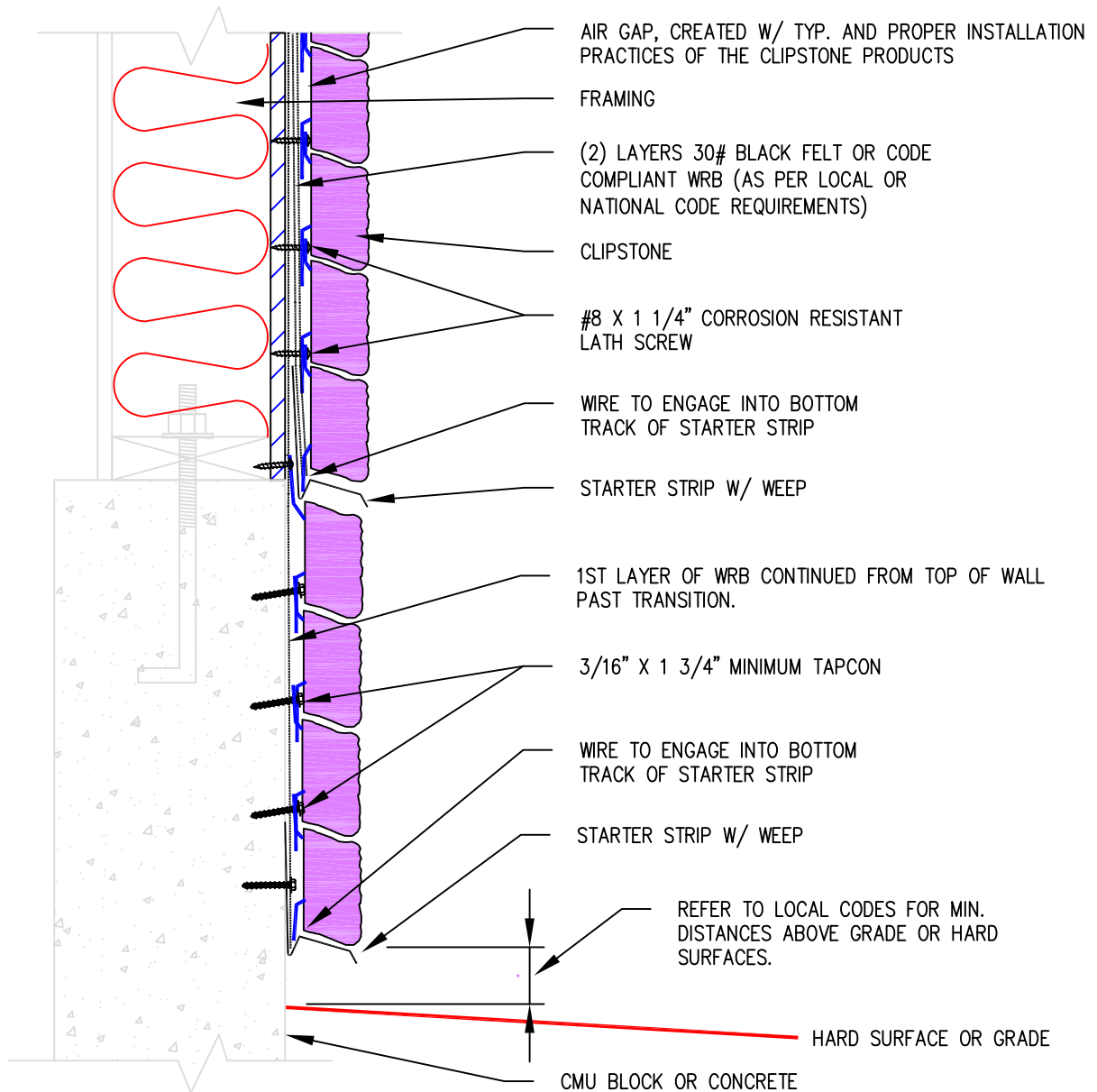
SCALE 2" = 1'-0"

COPYRIGHT © 2021 ENVIRONMENTAL MATERIALS, LLC,
PART OF THE CORNERSTONE BUILDING BRANDS FAMILY

DISCLAIMER: THESE CONSTRUCTION DETAILS ARE PROVIDED TO ASSIST IN THE INSTALLATION OF ENVIRONMENTAL MATERIALS, LLC ("MANUFACTURER") PRODUCT(S). THESE CONSTRUCTION DETAILS WILL NOT NECESSARILY APPLY TO EVERY DESIGN OR CONSTRUCTION CIRCUMSTANCES THAT YOU ENCOUNTER. THESE CONSTRUCTION DETAILS MAY REQUIRE MODIFICATION TO MEET YOUR PARTICULAR DESIGN REQUIREMENTS. MANUFACTURER ACCEPTS NO RESPONSIBILITY OR LIABILITY FOR USE OF THESE DRAWINGS OR OTHER CONSTRUCTION DETAILS.

CLIPSTONE®

Mortarless Stone Veneer



STONE /FOUNDATION-CONTINUE OVER @ SILL PLATE

FIG-23

SCALE 2" = 1'-0"

COPYRIGHT © 2021 ENVIRONMENTAL MATERIALS, LLC,
PART OF THE CORNERSTONE BUILDING BRANDS FAMILY

DISCLAIMER: THESE CONSTRUCTION DETAILS ARE PROVIDED TO ASSIST IN THE INSTALLATION OF ENVIRONMENTAL MATERIALS, LLC ('MANUFACTURER') PRODUCT(S). THESE CONSTRUCTION DETAILS WILL NOT NECESSARILY APPLY TO EVERY DESIGN OR CONSTRUCTION CIRCUMSTANCES THAT YOU ENCOUNTER. THESE CONSTRUCTION DETAILS MAY REQUIRE MODIFICATION TO MEET YOUR PARTICULAR DESIGN REQUIREMENTS. MANUFACTURER ACCEPTS NO RESPONSIBILITY OR LIABILITY FOR USE OF THESE DRAWINGS OR OTHER CONSTRUCTION DETAILS.

CLIPSTONE®

Mortarless Stone Veneer

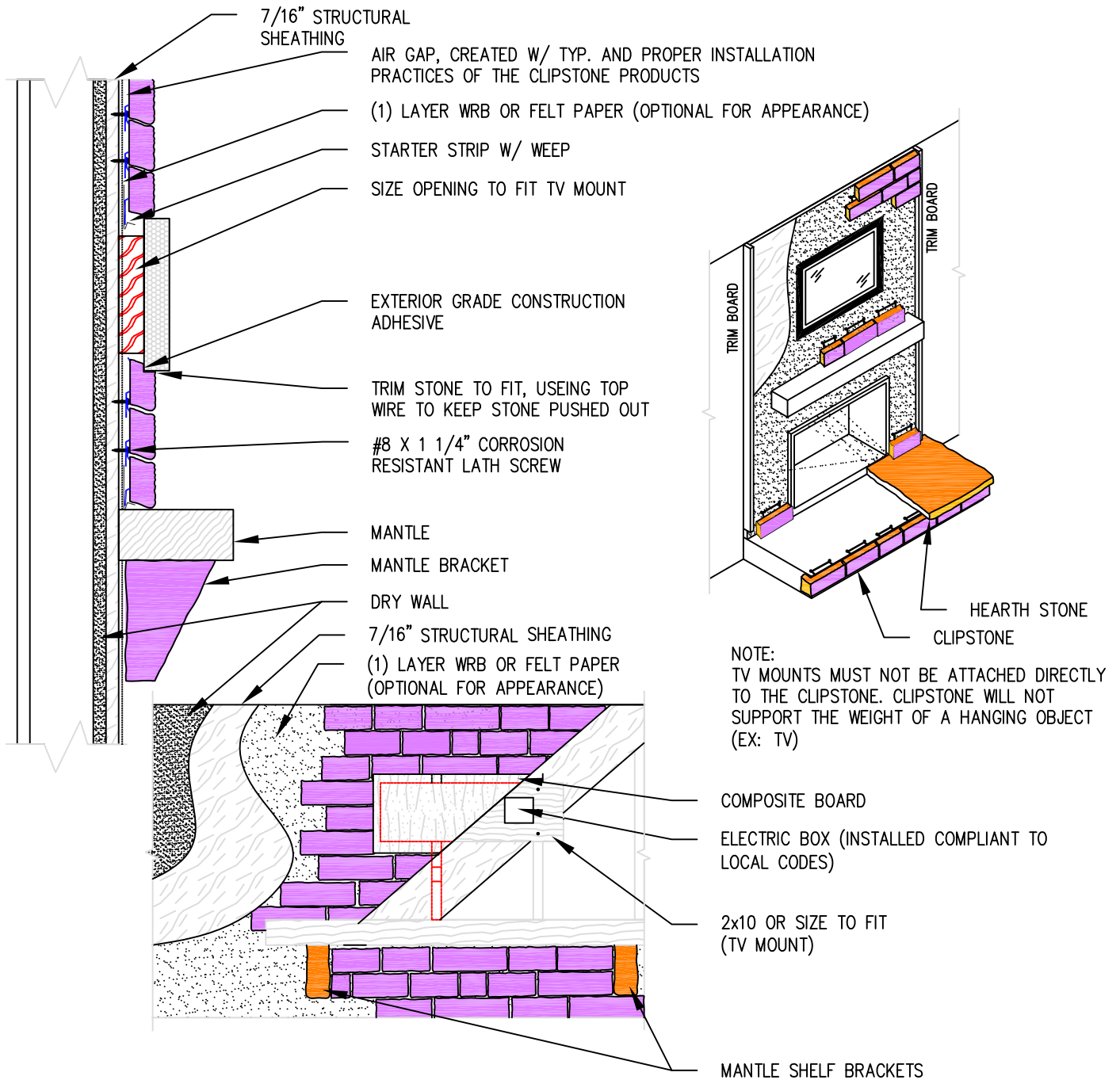


FIG-24

WALL/FIREPLACE TV MOUNT

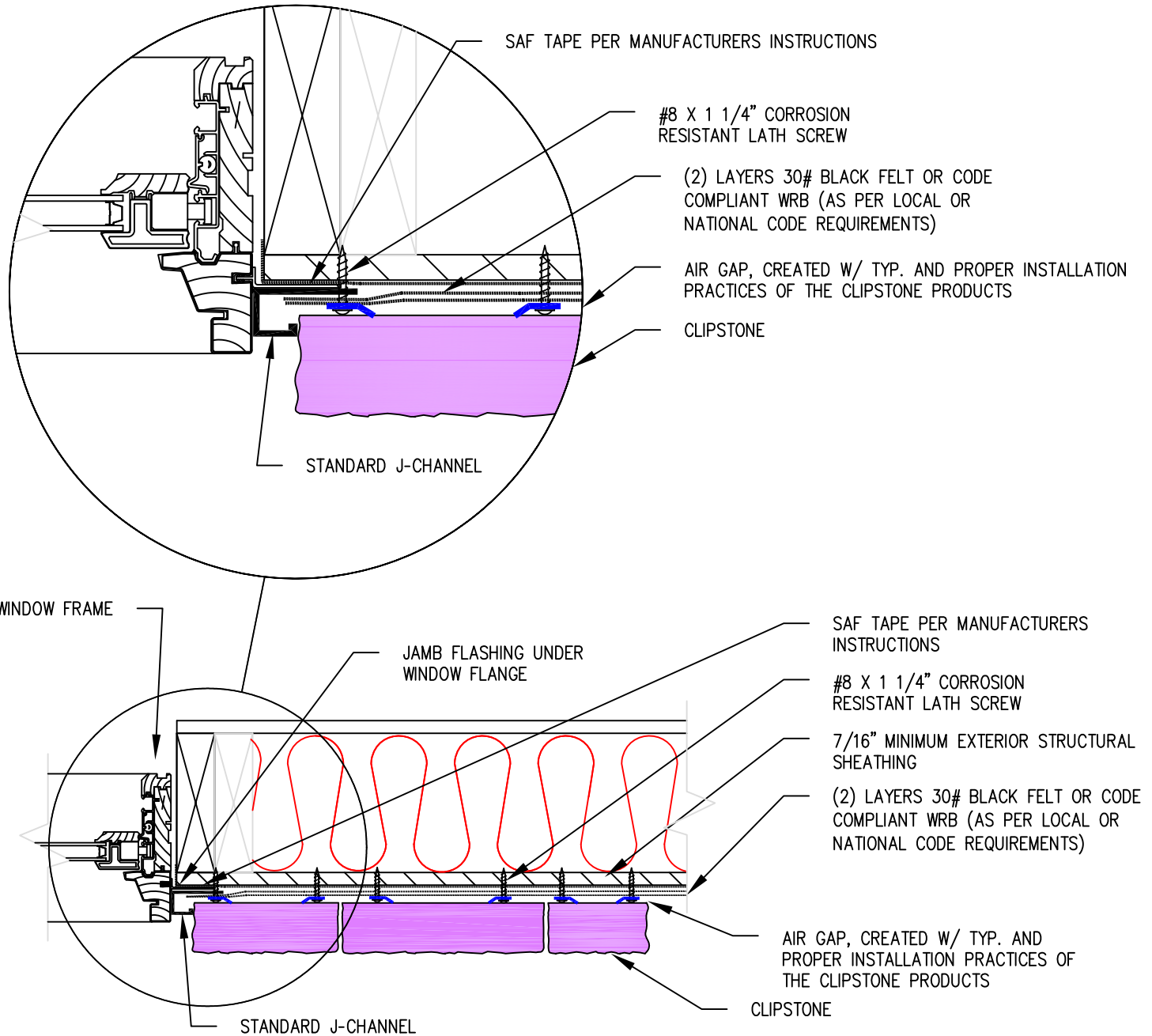
SCALE 2" = 1'-0"

COPYRIGHT © 2021 ENVIRONMENTAL MATERIALS, LLC,
PART OF THE CORNERSTONE BUILDING BRANDS FAMILY

DISCLAIMER: THESE CONSTRUCTION DETAILS ARE PROVIDED TO ASSIST IN THE INSTALLATION OF ENVIRONMENTAL MATERIALS, LLC ("MANUFACTURER") PRODUCT(S). THESE CONSTRUCTION DETAILS WILL NOT NECESSARILY APPLY TO EVERY DESIGN OR CONSTRUCTION CIRCUMSTANCES THAT YOU ENCOUNTER. THESE CONSTRUCTION DETAILS MAY REQUIRE MODIFICATION TO MEET YOUR PARTICULAR DESIGN REQUIREMENTS. MANUFACTURER ACCEPTS NO RESPONSIBILITY OR LIABILITY FOR USE OF THESE DRAWINGS OR OTHER CONSTRUCTION DETAILS.

CLIPSTONE®

Mortarless Stone Veneer



WINDOW JAMB (TYP.)

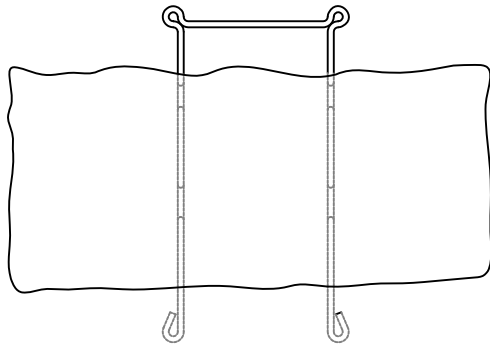
SCALE 2" = 1'-0"

COPYRIGHT © 2021 ENVIRONMENTAL MATERIALS, LLC,
PART OF THE CORNERSTONE BUILDING BRANDS FAMILY

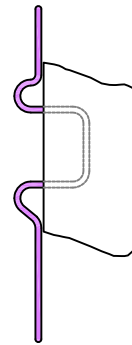
DISCLAIMER: THESE CONSTRUCTION DETAILS ARE PROVIDED TO ASSIST IN THE INSTALLATION OF ENVIRONMENTAL MATERIALS, LLC ('MANUFACTURER') PRODUCT(S). THESE CONSTRUCTION DETAILS WILL NOT NECESSARILY APPLY TO EVERY DESIGN OR CONSTRUCTION CIRCUMSTANCES THAT YOU ENCOUNTER. THESE CONSTRUCTION DETAILS MAY REQUIRE MODIFICATION TO MEET YOUR PARTICULAR DESIGN REQUIREMENTS. MANUFACTURER ACCEPTS NO RESPONSIBILITY OR LIABILITY FOR USE OF THESE DRAWINGS OR OTHER CONSTRUCTION DETAILS.

CLIPSTONE®

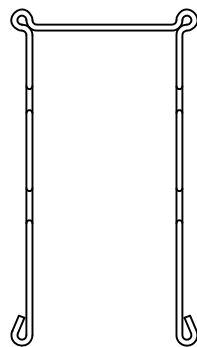
Mortarless Stone Veneer



FRONT VIEW
OF STONE
WITH WIRE
SUPPORT



SIDE VIEW
OF STONE
AND WIRE
SUPPORT



WIRE
SUPPORT



WIRE HANGER WITH STONE

SCALE 3" = 1'-0"

COPYRIGHT © 2021 ENVIRONMENTAL MATERIALS, LLC,
PART OF THE CORNERSTONE BUILDING BRANDS FAMILY

DISCLAIMER: THESE CONSTRUCTION DETAILS ARE PROVIDED TO ASSIST IN THE INSTALLATION OF ENVIRONMENTAL MATERIALS, LLC ("MANUFACTURER") PRODUCT(S). THESE CONSTRUCTION DETAILS WILL NOT NECESSARILY APPLY TO EVERY DESIGN OR CONSTRUCTION CIRCUMSTANCES THAT YOU ENCOUNTER. THESE CONSTRUCTION DETAILS MAY REQUIRE MODIFICATION TO MEET YOUR PARTICULAR DESIGN REQUIREMENTS. MANUFACTURER ACCEPTS NO RESPONSIBILITY OR LIABILITY FOR USE OF THESE DRAWINGS OR OTHER CONSTRUCTION DETAILS.

CLIPSTONE®

Mortarless Stone Veneer

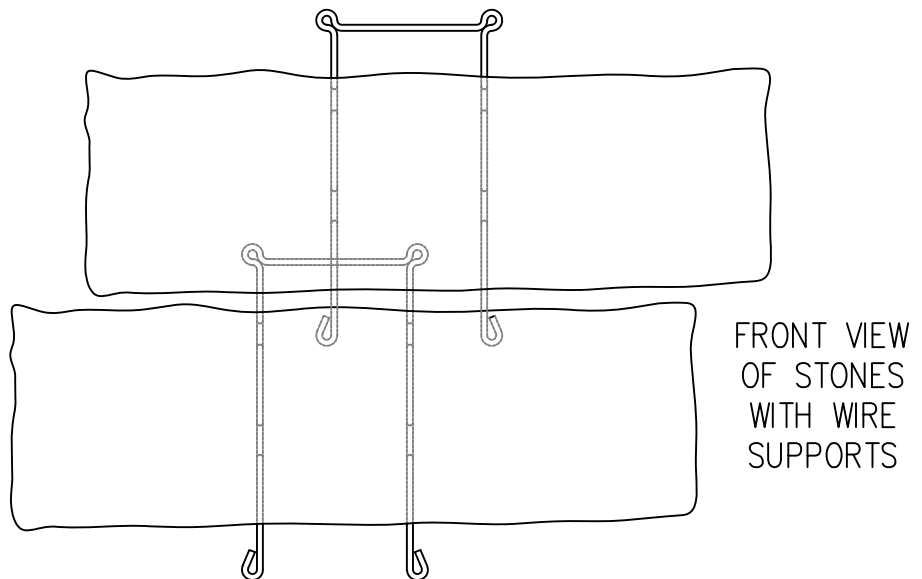
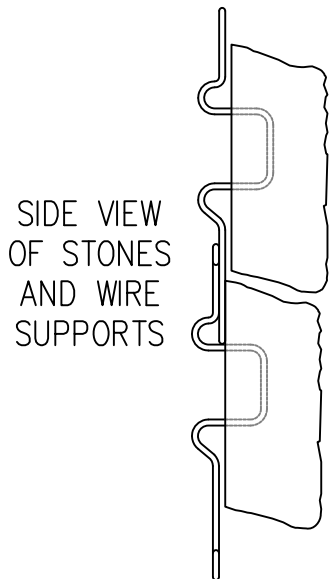
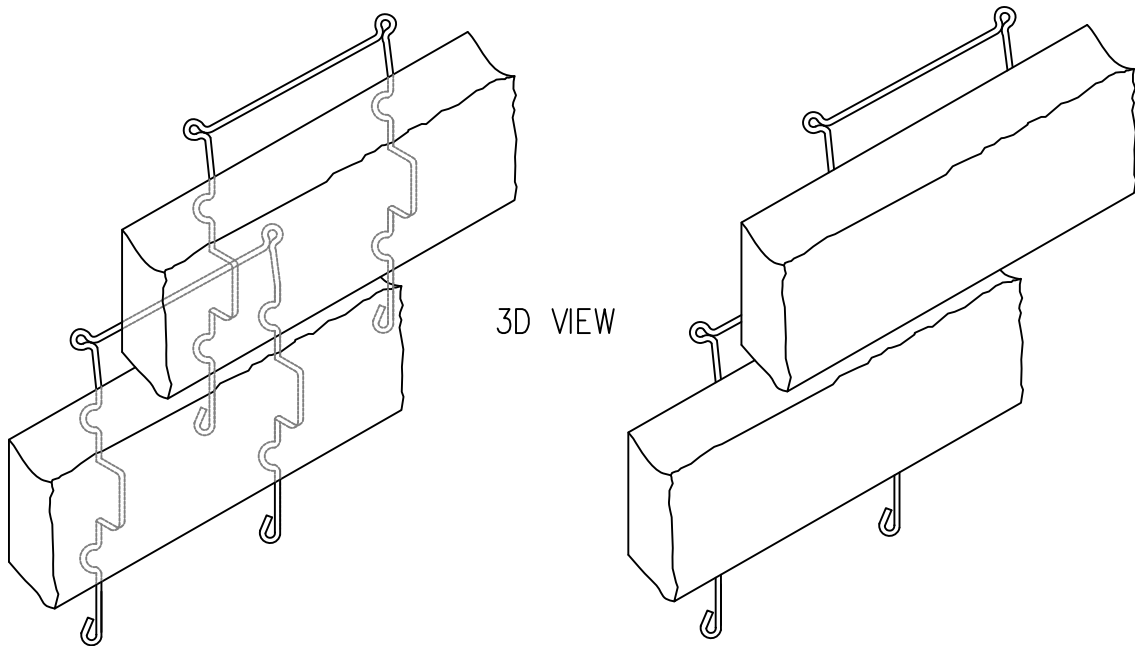


FIG-27

WIRE HANGER WITH STONES

SCALE 3" = 1'-0"

COPYRIGHT © 2021 ENVIRONMENTAL MATERIALS, LLC,
PART OF THE CORNERSTONE BUILDING BRANDS FAMILY

DISCLAIMER: THESE CONSTRUCTION DETAILS ARE PROVIDED TO ASSIST IN THE INSTALLATION OF ENVIRONMENTAL MATERIALS, LLC ('MANUFACTURER') PRODUCT(S). THESE CONSTRUCTION DETAILS WILL NOT NECESSARILY APPLY TO EVERY DESIGN OR CONSTRUCTION CIRCUMSTANCES THAT YOU ENCOUNTER. THESE CONSTRUCTION DETAILS MAY REQUIRE MODIFICATION TO MEET YOUR PARTICULAR DESIGN REQUIREMENTS. MANUFACTURER ACCEPTS NO RESPONSIBILITY OR LIABILITY FOR USE OF THESE DRAWINGS OR OTHER CONSTRUCTION DETAILS.