



# Installation Guide



THE CLEAR CHOICE FOR CLEAN GUTTERS.

[MANUAL CONTENTS](#) | [NEXT PAGE >](#)



# Leaf Logic™ Installation

## Gutter Protection Systems

<b>Replacing Strap Hangers.....</b>	<b>5</b>
<b>Leaf Logic™.....</b>	<b>6</b>
Installation on Flat Hangers or Spike/Ferrule .....	6
Installation at Corners.....	7

---

## Navigating This Manual

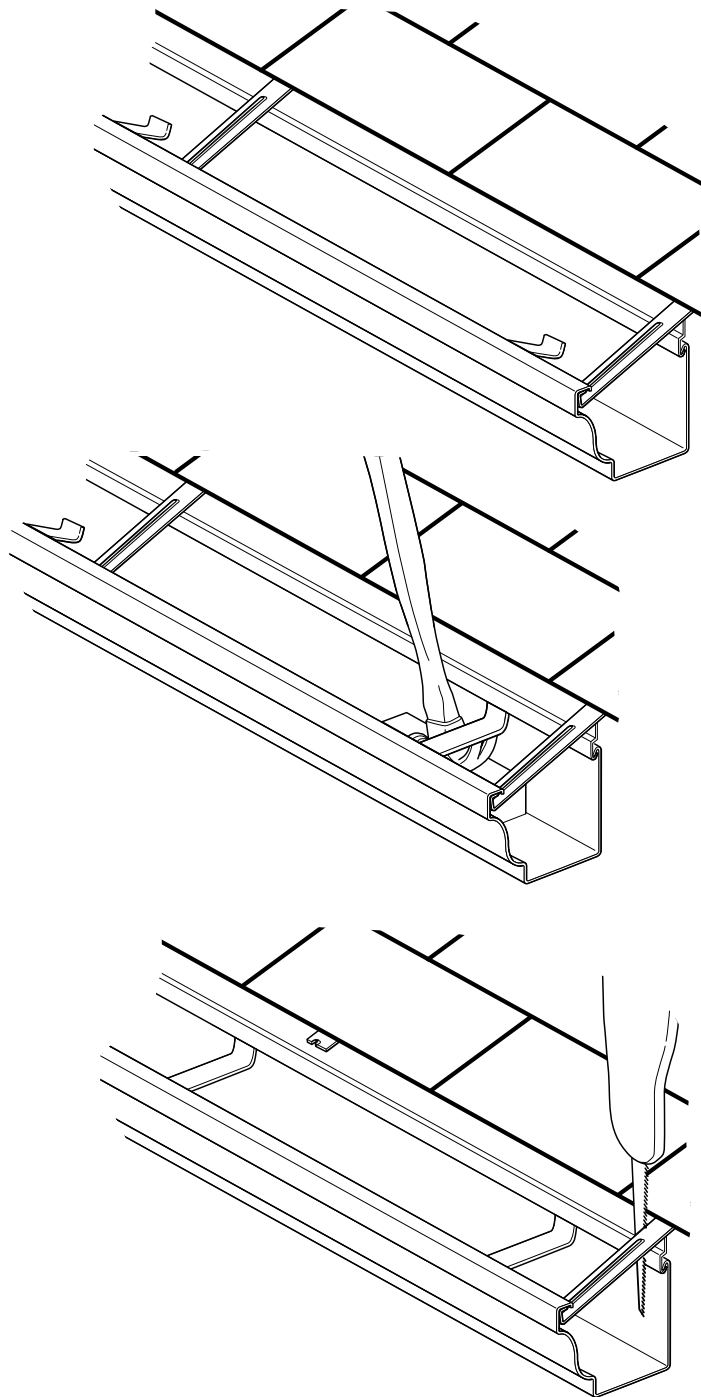
To go directly to your desired section, click on the subject in the Table of Contents.

---



# Replacing Strap Hangers

PRODUCTS CAN NOT BE INSTALLED OVER STRAP HANGERS



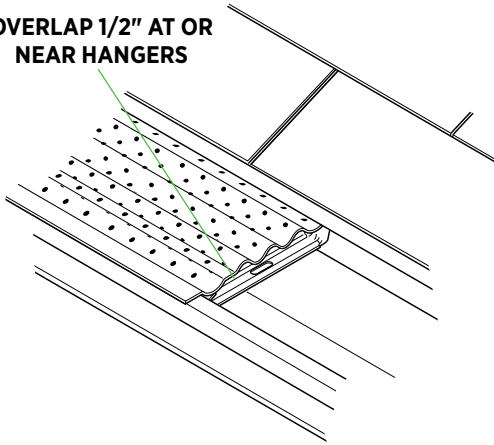
## Replacing strap hangers or bar hangers on existing gutters

- Hook front of snap-in (free float) gutter hangers (OG13LR5) into front lip of gutters every 24" along length of gutter.
- Position block of wood inside gutter at hanger location. Using claw hammer, apply pressure to bottom of each hanger until hanger engages in existing roof apron or fascia apron. Remove wood block.
- For strap hangers, use a metal cutting tool, such as a reciprocating saw, to cut old strap hangers at drip edge and remove from gutter system.
- For bar hangers, remove nail or screw and remove bar hanger from gutter system.

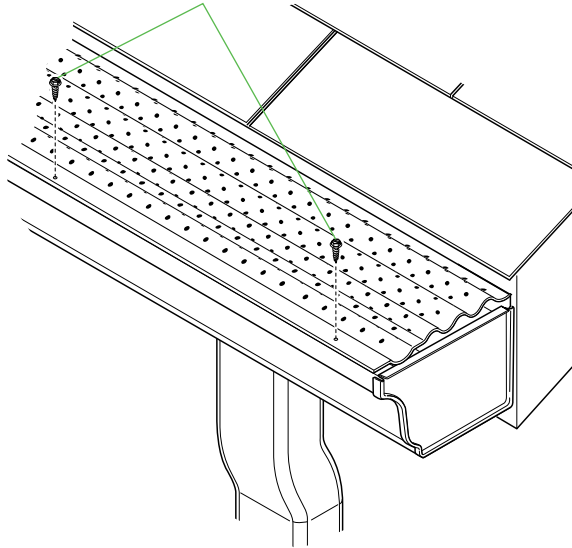
# Leaf Logic™

INSTALL ON FLAT HANGERS, SPIKE/FERRULE

OVERLAP 1/2" AT OR  
NEAR HANGERS



FASTEN TO GUTTER  
EVERY 24"



## Prepare the Gutter

- Clean and flush existing gutters and downspouts thoroughly with water.

**Note:** 3" x 4" or larger downspouts are recommended in areas with conifer (pine) trees.

## Install Leaf Logic System

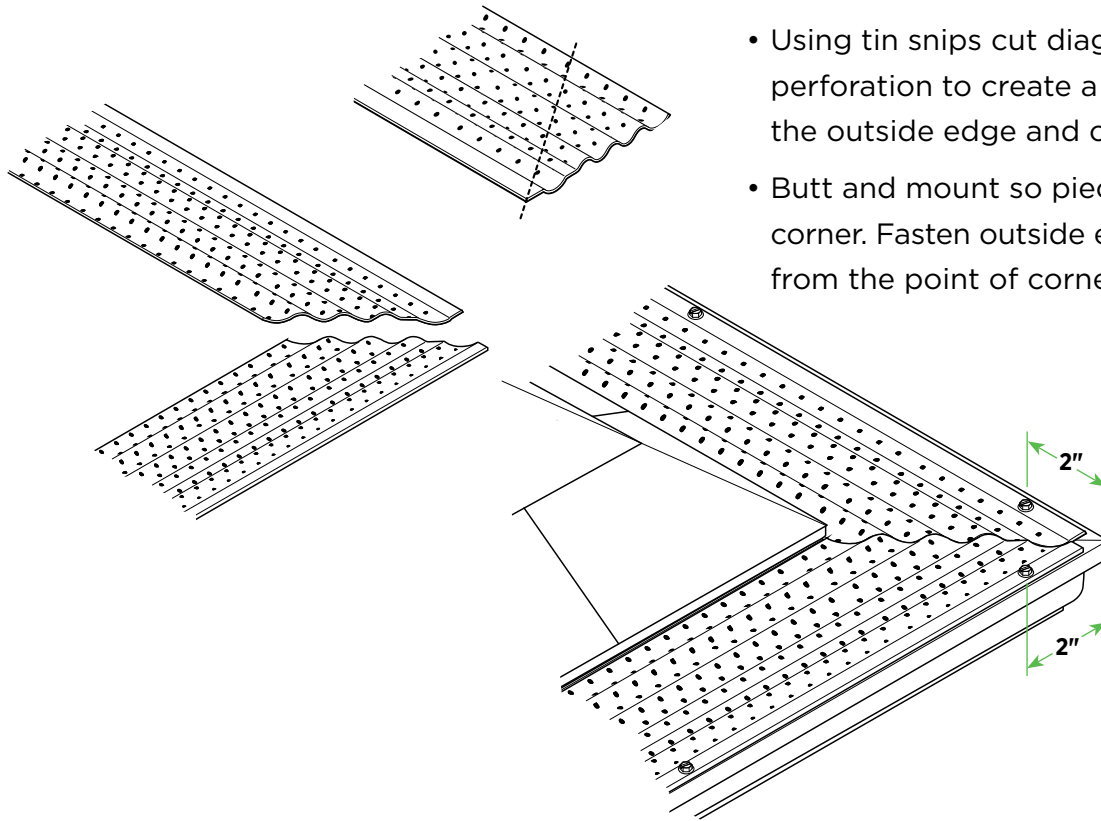
- Place the Leaf Logic sections on top of the gutter with the vertical edge against the fascia or behind the drip edge. The Leaf Logic surface should slope downward slightly to the front of the gutter.
- Position Leaf Logic so overlaps are near or over hangers.
- Overlap 1/2" with adjacent section — do not butt. Add or replace hangers as needed for proper support (maximum support spacing is 30").
- Starting at one end, fasten front of Leaf Logic to gutter every 24" using #6-3/8" screws.

# Leaf Logic™

## CORNERS

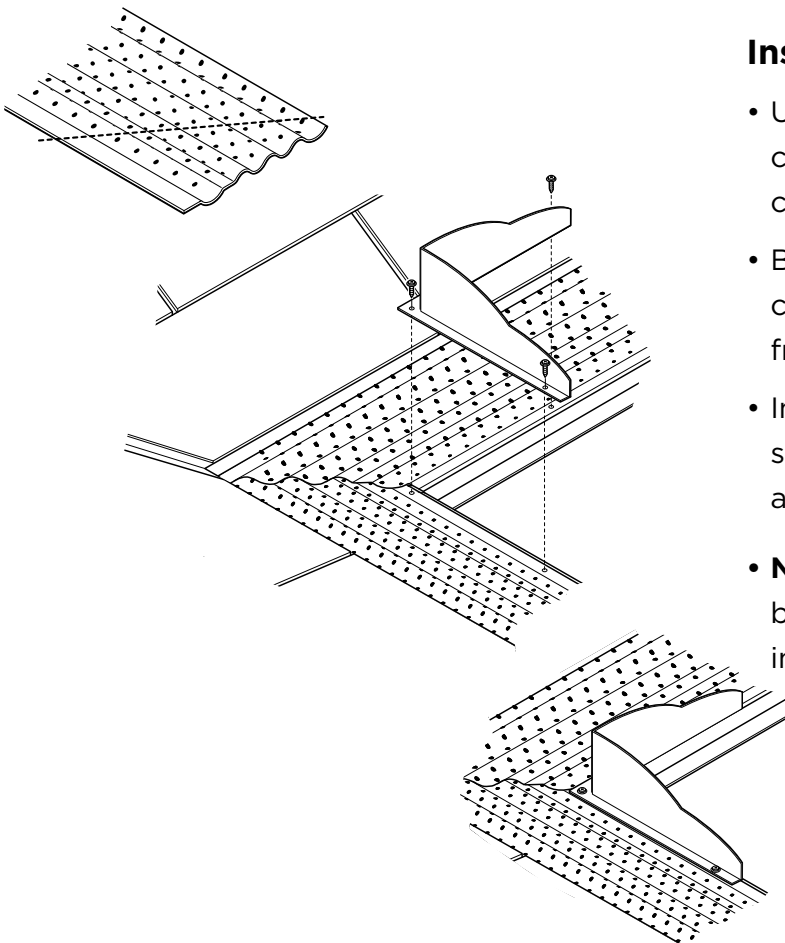
### Outside Corners

- Using tin snips cut diagonally along the perforation to create a 45° angle, starting at the outside edge and cutting as shown.
- Butt and mount so pieces form 90° outside corner. Fasten outside edge with screws 2" from the point of corner.



### Inside Corners

- Use tin snips starting at the rear edge and cut diagonally along the perforation to create a 45° angle.
- Butt and mount so pieces form 90° inside corner. Fasten outside edge with screws 2" from the inside of corner.
- Install water diverter/deflector on top surface of Leaf Logic at all inside corners and valleys.
- **Note:** The flow from high-level gutters must be transferred within downspouts directly into lower-level gutters.





leaf-relief.com | 888-9PLYGEM | 2600 Grand, Suite 900, Kansas City, MO 64108

© 2021 Ply Gem Industries, Inc., part of Cornerstone Building Brands, Inc. ALL RIGHTS RESERVED. 6006144201101/RevA/CG/1021

[< PREVIOUS PAGE](#) | [MANUAL COVER](#) | [MANUAL CONTENTS >](#)



PART OF THE CORNERSTONE BUILDING BRANDS FAMILY | SIDING + ACCESSORIES | WINDOWS + DOORS | STONE VENEER | TRIM + MOULDINGS | FENCE + RAILING