

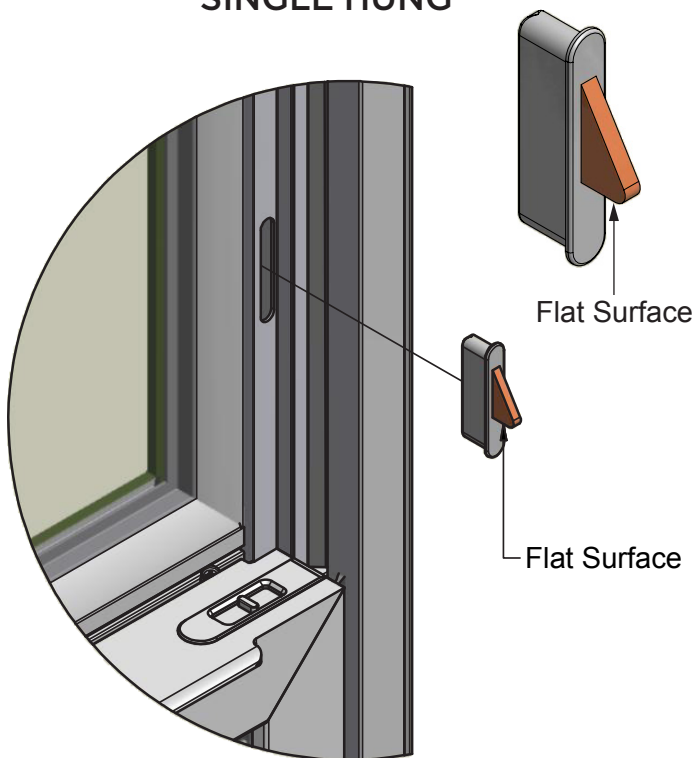


*Before you begin...read through all these instructions.*

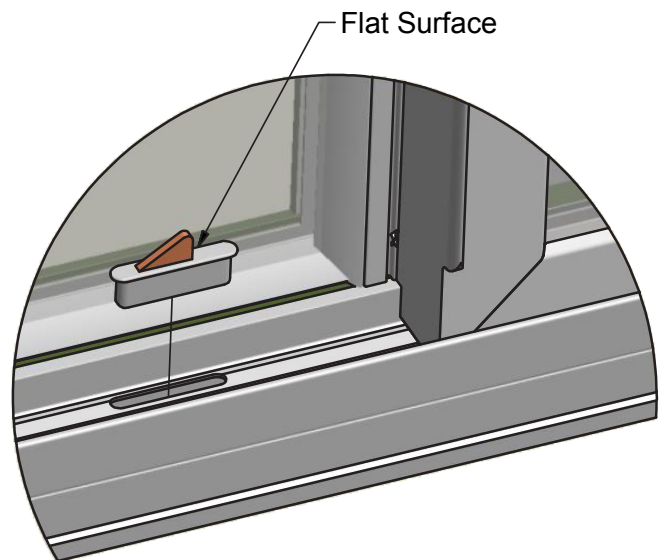
## **INSTRUCTIONS:** Contact local building department or fire department for applicable codes

1. Press the WOCD device into the hole, with the flat surface towards the sash using firm pressure until it snaps in place and is flush with the surface of the frame.
2. SH unit will be on the right jamb above meeting rail.
3. Sliding units will be in the sill of unit.
4. Once latch is placed in the hole push in Orange nose and release, it should return to the extended position.
5. To open sash completely press and hold Orange nose and raise the sash past the latch.
6. To reset latch, close the sash past the latch and it will reset with the orange nose extended out.
7. Fully close and lock the window.

### SINGLE HUNG



### SLIDER



## **WARNING**

### Possible Fall Hazard

- Young children may fall out of the window if the opening control device is not installed correctly.
- Install the device so that a rigid 4.0 in. diameter sphere does not pass through any space in the window opening after the window fall prevention device is in place.
- Young children may fall out of the window if all installation instructions are not followed.
- Use recommended materials and techniques.
- Make sure that the window opening control device is securely attached, as directed, to the window frame.
- Make sure that the window frame is in good condition.

