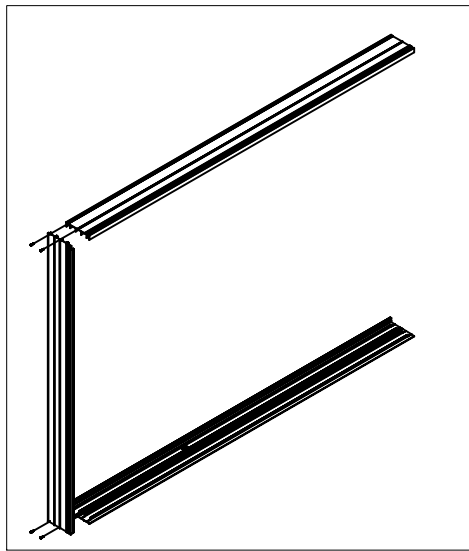
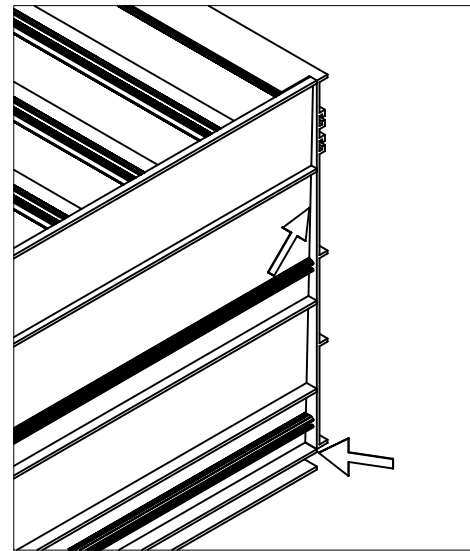


Series 4780 Pocket Patio Door Assembly

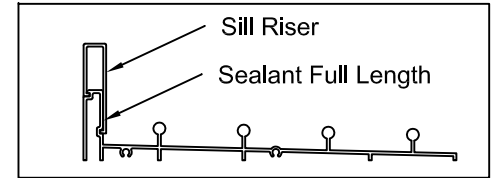
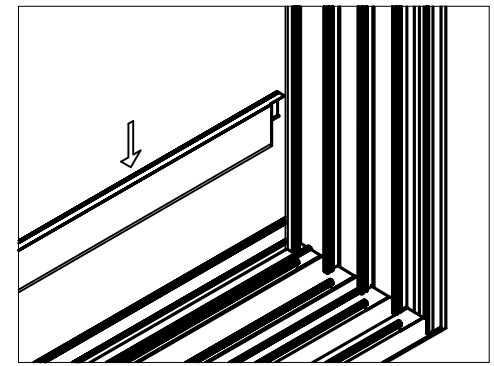


1. Assemble the door frame using the #8 X 1" zinc pan head screws (8).



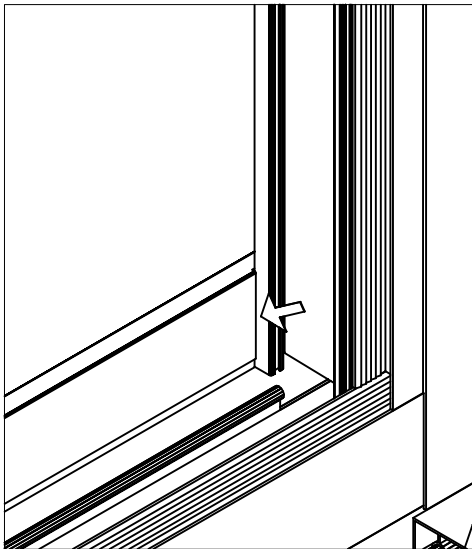
2. Caulk the bottom of the frame sill to jamb joint making sure all joints between sill and jamb are filled with sealant.

3. Install the frame in the opening per Alenco instruction detail I-4780-1



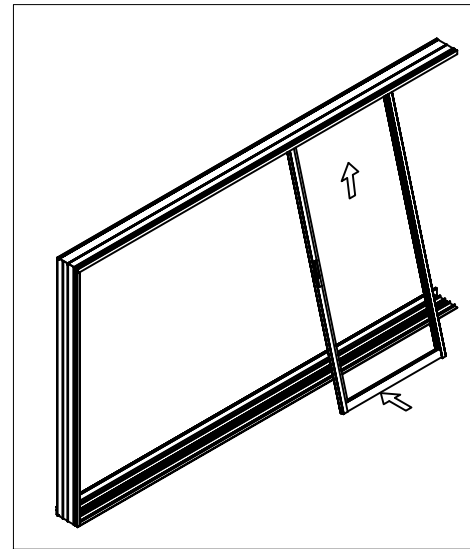
Note: 4 track shown

4. Apply sealant to frame sill where riser will snap on. Install sill riser using a rubber mallet to drive it over the dam of the frame sill.

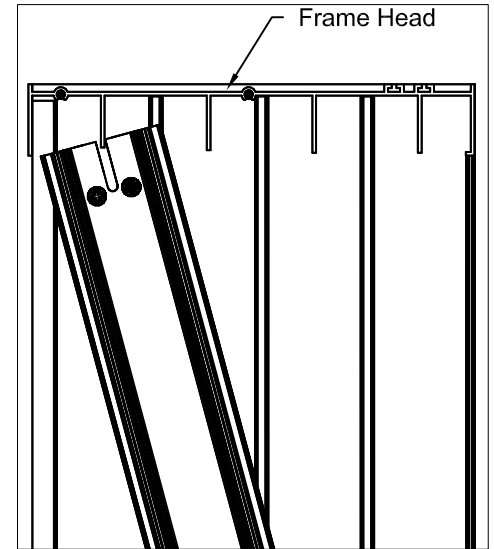


Install the frame into the opening using the correct fasteners (per Florida Approved Details) into pre-punched holes.

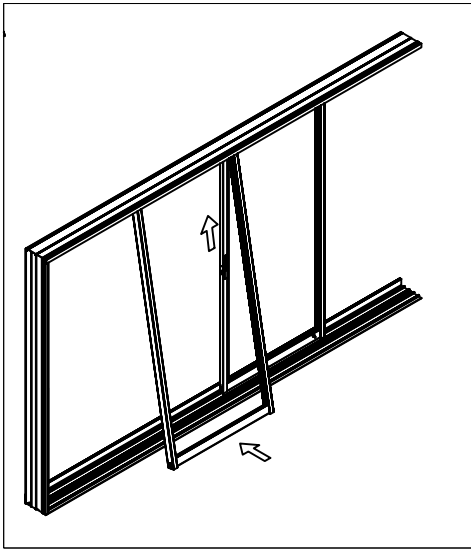
5. Add sealant to the riser to jamb joint down to the frame sill.



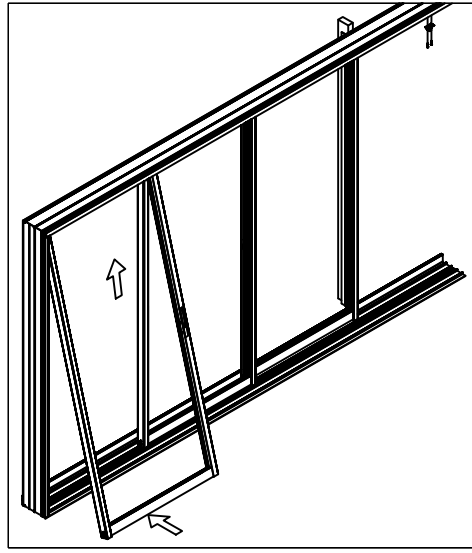
6. Install the inside vent first. This vent will have interlocks on both sides (IF more than one panel door). The vent installs from the outside. Push the top of the vent up into the head and swing the bottom onto the sill.



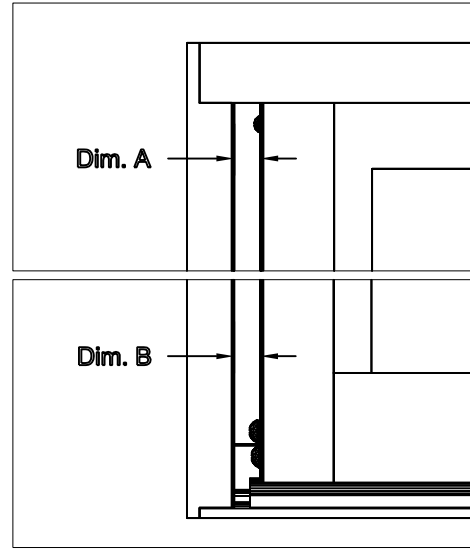
Note: The figure above shows the inside vent being inserted into the interior track. (4 track shown)



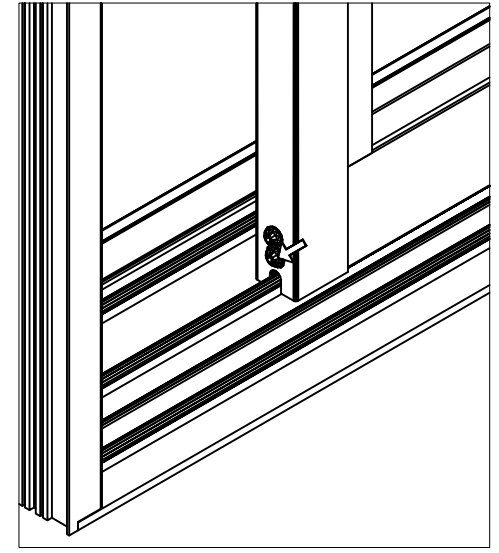
7. XXXP/PXXX ONLY - Install the center vent next. This vent has interlocks on both sides. From the outside push the top of the vent up into the second track (from inside) of the head and swing the bottom onto the sill.



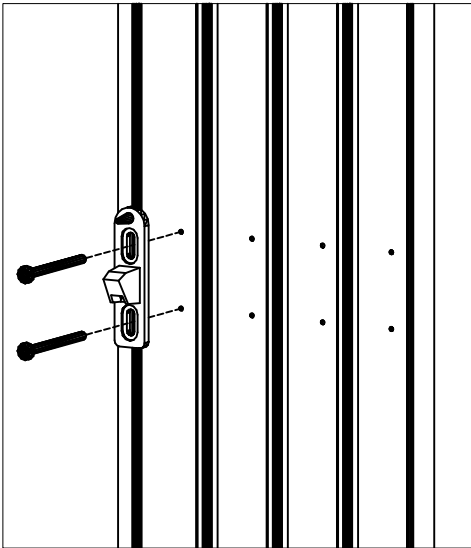
8. Next install outside vent. From the outside push the top of the vent up into the third track of the head and swing the bottom onto the sill.



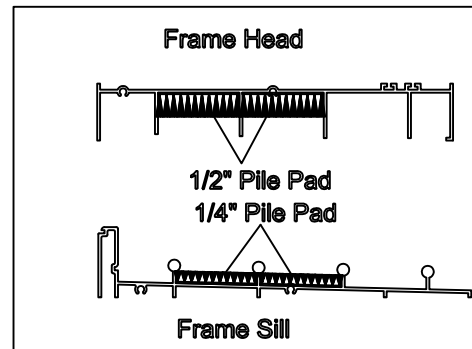
9. Move a vent up to the frame and measure the gap at the head and at the sill. (Dim. A and Dim. B)



10. Use the roller height adjustment screws to raise and lower either end of the vent until Dim. A and Dim. B are equal. Repeat steps 11 and 12 for the other vents.



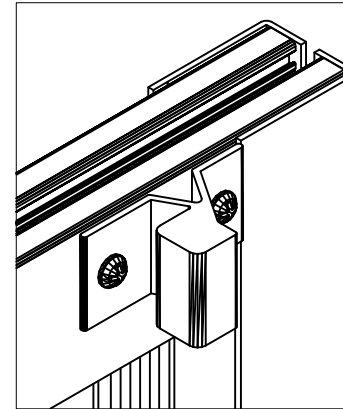
11. Install the keepers in the frame jamb using the predrilled holes as shown above. Attach using the 1" long phil head screws and be sure to place a shim behind the jamb at each keeper location. Adjust the keeper vertically until the throw of the lock fully engages the keeper. (4 track shown)



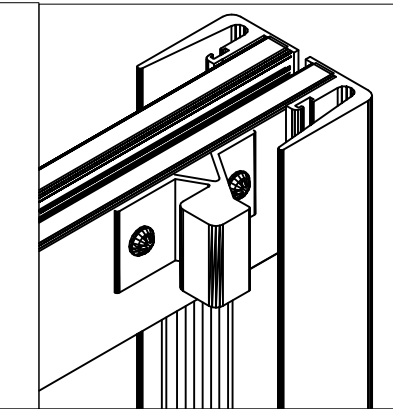
Note: 4 track shown

12. Install 1/2" tall adhesive weather-strip pads on the frame head between the vertical guides legs as shown above. Pads should be located directly above the interlock joints of the panels when door is closed. With the panels in closed position place a mark in the head to help locate the correct pad placement.

13. Repeat at sill using 1/4" pads as shown above.

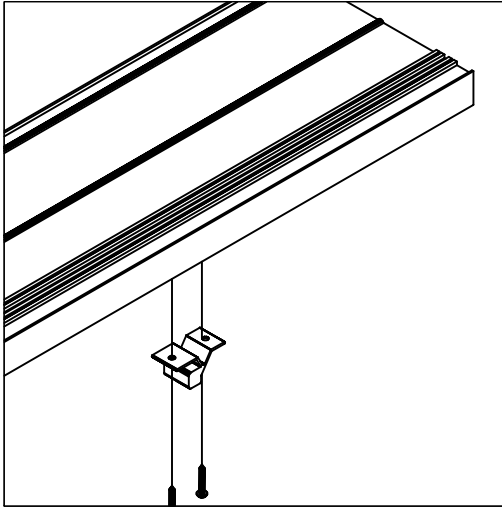


Bumper installation on locking panel

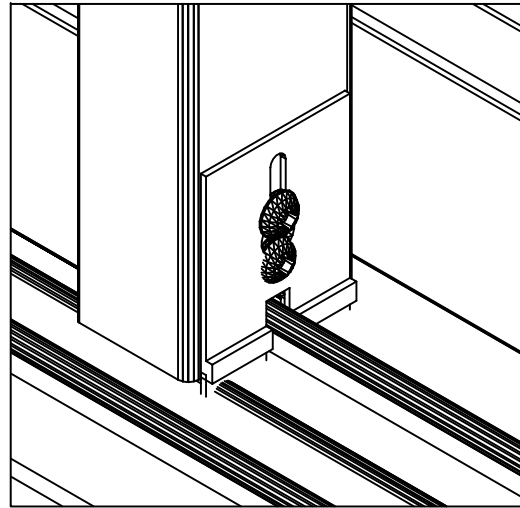


Bumper installation on interlocking panel

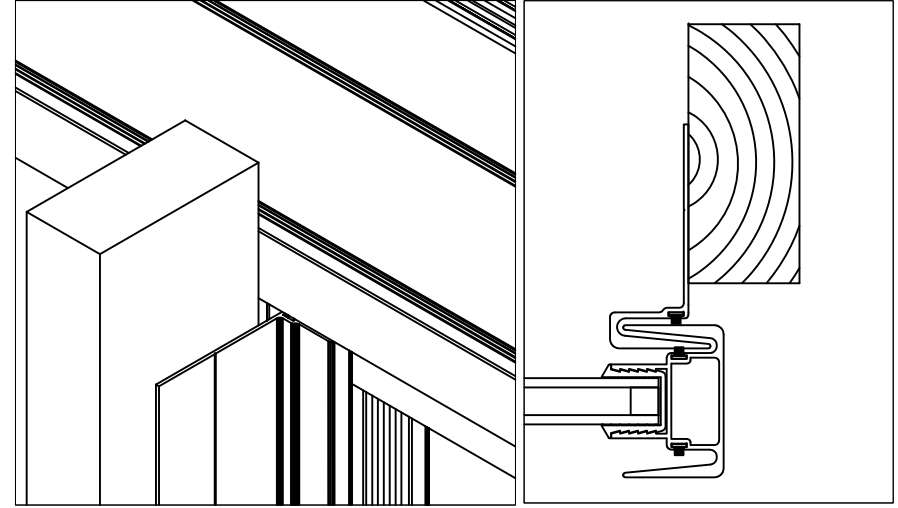
14. Install the panel bumpers to outer panels at the top rail as shown above with #7 x 7/16" self tapping screws. Be sure to align the top edge of bumper with top edge of panel to ensure screws do not hit the glass.



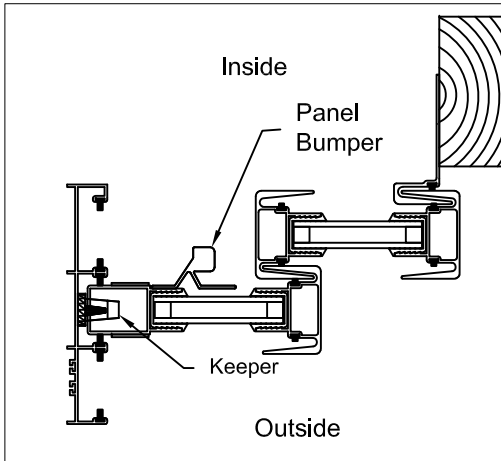
15. Install Frame bumper into frame head. This bumper to be installed in correct location to allow maximum panel openings without allowing interlock to impact Hook Strip.



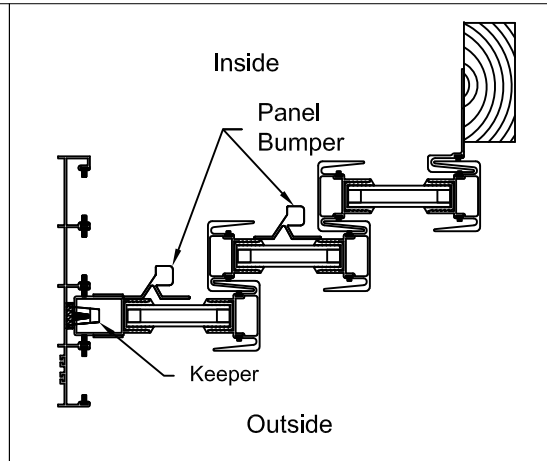
16. Optional: Install bug sweeps at bottom end of interlocks, interior and exterior. To install back out panel bottom screw 2-3 turns or enough to slip bug sweep over and under screw head. Adjust and tighten screw.



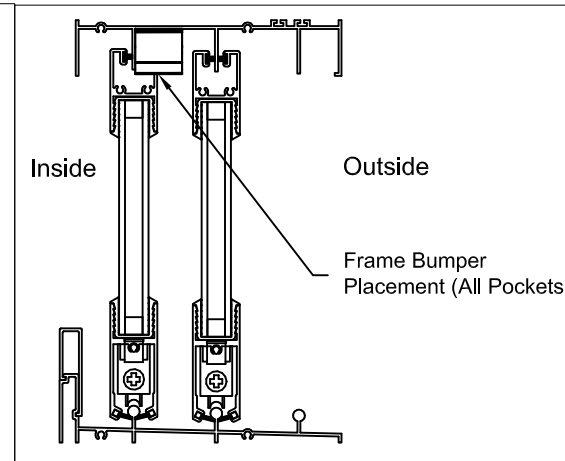
17. Install Hook Strip. Use appropriate anchors as stated in Florida approved installation instructions. Hook strip requires field trimming to length to accommodate each individual installation.



Note: Above picture shows bumper and keeper locations for XXP door (PXX opposite).



Note: Above picture shows bumper and keeper locations for XXXP door (PXXX opposite).



Note: Above picture shows frame bumper location for XP/PX, XXP/PXX, and XXXP/PXXX doors.