



FENCE AND RAILING

FABRICATION GUIDE



Choose confidence

Our fence and railing products are just a part of the many products within our family of brands — all designed to bring long-lasting beauty to residential and commercial properties.

Our outdoor products are not only easy to install and exceptionally durable, they are also beautiful, low maintenance and last for decades. You can choose Ply Gem Fence & Railing products with confidence, knowing they come in a full range of styles and colors that look great with any home. On top of all that, all products are backed by our industry leading Limited Lifetime Transferable Warranty.

More to love about Ply Gem Fence & Railing

- Routed construction means it looks great from any angle
- Supported by nationwide service and distribution
- No need to paint, stain or replace rotted boards damaged by water or insects
- Sustainable fencing option
- Backed by a Limited Lifetime Transferable Warranty

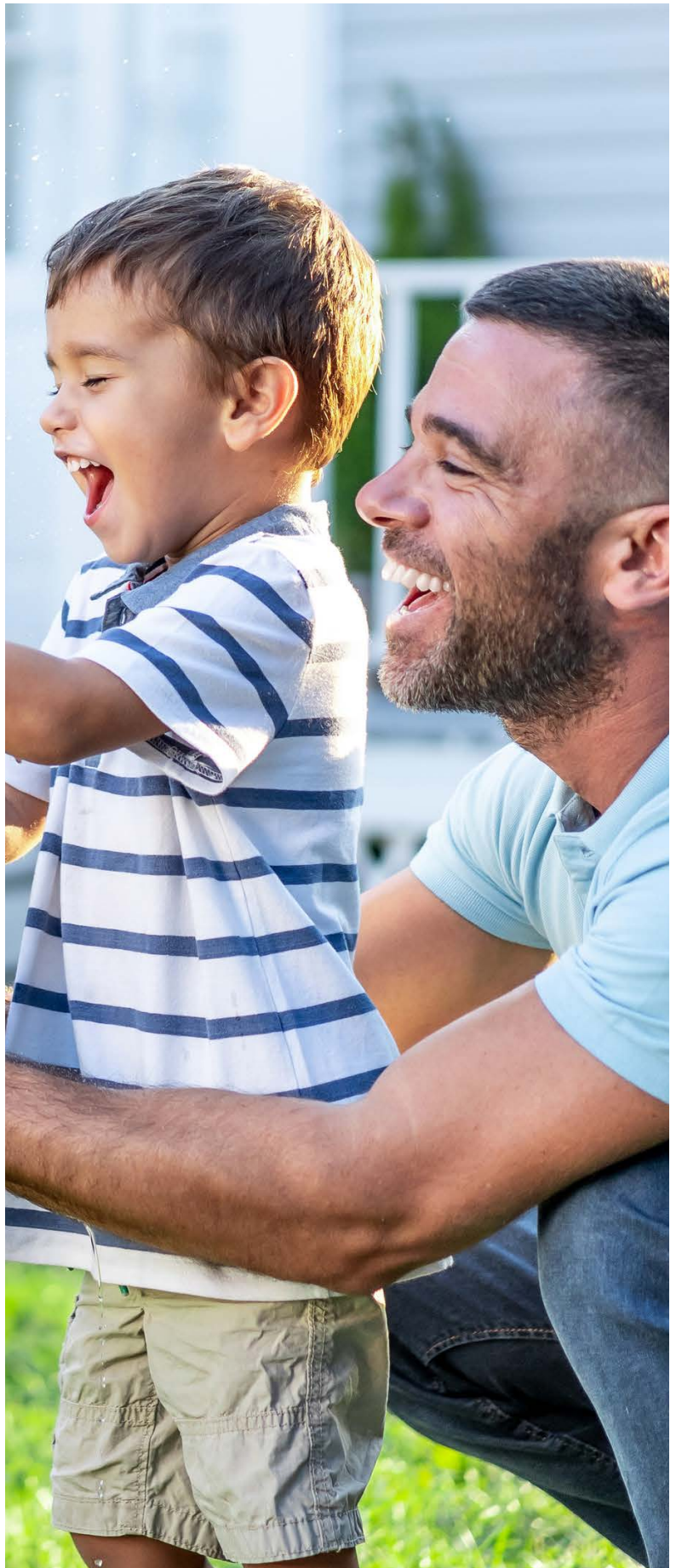


Table of Contents

Desktop - press "CTRL+F" to search the document by drawing number or keyword

Mobile - press magnifying glass to search document

Speciality Products & Gates	
DRAWING #	Drawing Description
P60	3' Wide Closed Picket Gate 7/8" x 1 1/2" PICKET
P60A	3' Wide Closed Picket Gate 7/8" x 1 1/2" PICKET
P72A	Arbor Gate
P192	5' Gate 7/8" x 1 1/2" PICKET
P227	Closed Top Picket Gate
P62	8' Wide 3 Rail Gate 7/8" x 6" RB PLANK
P63	8' Wide 3 Rail Gate
P64A	3 1/2' Wide Privacy Gate
P366	6' x 4' Wide Privacy Gate
P226	Solid Privacy Gate
P228	Privacy with Lattice Gate
P90	2" x 3-1/2" Footblock Detail
P90A	1 3/4" x 3 1/2" Footblock Detail
P90B	1 3/4" x 3 1/2" Footblock Detail
P362	4 1/2" x 4 1/2" Post Wrap
P363	6 1/2" x 6 1/2" Post Wrap
P371	6' Tall Classic Privacy with Lattice Gate 7/8" x 11 1/4" PICKET & 7/8" x 1 1/2" PICKET
Scalloped Picket Fence	
DRAWING #	Drawing Description
P77	4' Classic Scalloped Picket
P79	4' Classic Scalloped Picket- (Drop Rail)
P82	4' Classic Scalloped Picket
P78	6' Classic Scalloped Picket
P58	1" x 6" Scalloped Picket 7/8" x 6" RB PLANK
P97	4' Routed Scalloped Picket- (7/8" x 3" Picket, 3" Gap)
P52	4' Scalloped Capped Picket 7/8" x 1 1/2" RAIL
P52A	Ornamental Capped Picket 7/8" x 1 1/2" RAIL & 7/8" x 1 1/2" PICKET
P06	4' Scalloped Picket (7/8" x 3" Picket, 2 1/2" Gap)
P07	4' Scalloped Picket (7/8" x 3" Picket, 1 3/4" Gap)
P07A	4' Scalloped Picket, 12" Rise (7/8" x 3" Picket, 1" Gap)
P10	4' Scalloped Picket (7/8" x 3" Picket, 2 1/2" Gap)
P10A	4' Scalloped Picket (7/8" x 3" Picket, 3" Gap)

P11	4' Scalloped Picket (7/8" x 3" Picket, 1 3/4" Gap)
P09	5' Scalloped Picket (7/8" x 3" Picket, 1 3/4" Gap)
P08	5' Scalloped Picket (7/8" x 3" Picket, 2 1/2" Gap)
P13	5' Scalloped Picket (7/8" x 3" Picket, 1 3/4" Gap)
P12	5' Scalloped Picket (7/8" x 3" Picket, 2 1/2" Gap)
P61	6' Scalloped Picket (7/8" x 3" Picket, 3" Gap)
P121	42" Scalloped Picket- (7/8" x 3" Picket, 3" Gap)

Flat Top Picket Fence

DRAWING #	Drawing Description
P14	3' Straight Routed Picket (7/8" x 3" Picket, 3" Gap)
P15	4' Straight Routed Picket (7/8" x 3" Picket, 3" Gap)
P01	3' Straight Picket (7/8" x 3" Picket, 3" Gap)
P122	42" Straight Picket (7/8" x 3" Picket, 3" Gap)
P02	4' Straight Picket (7/8" x 3" Picket, 3" Gap)
P05	4' Straight Picket (7/8" x 3" Picket 2 1/2" Gap)
P03	5' Straight Picket (7/8" x 3" Picket, 3" Gap)
P04	6' Straight Picket (7/8" x 3" Picket, 3" Gap)

Narrow Picket Fence

DRAWING #	Drawing Description
P54	4' Straight Routed Picket (1 3/8" x 1 3/8" Picket, 1" Gap)
P55	4' Straight Routed Picket (1 3/8" x 1 3/8" Picket, 1" Gap)
P56	4' Straight Routed Picket 7/8" x 1 1/2" PICKET
P74	5' Classic Straight Picket
P199	Classic Drop Picket
P75	4' Classic Straight Picket
P96	Classic Drop Rail Picket (Scallop)
P98	Classic Closed Picket
P76	Classic Drop Rail Picket
P80	5' Classic Routed Picket
P95	Classic Drop Picket
P51A	3' Narrow Picket 7/8" x 1 1/2" PICKET
P51B	3 1/2' Narrow Picket 7/8" x 1 1/2" PICKET
P51C	4' Narrow Picket 7/8" x 1 1/2" PICKET
P87	3' Radiused Picket Fence
P86	4' Radiused Picket Fence
P114	5' Radiused Picket Fence

Closed Picket Fence

DRAWING #	Drawing Description
P16	3' Closed Picket (7/8" x 3" Picket, 3" Gap)
P23	3' Closed Picket (1" x 2" Picket, 3 3/4" Gap)
P17	4' Closed Picket (7/8" x 3" Picket, 3" Gap)
P24	4' Closed Pool (1" x 2" Picket, 3 3/4" Gap)
P142	4' Closed Pool (1" x 2" Picket, 1 3/4" Gap)
P143	4' Closed Pool (1" x 2" Picket, 3 3/4" Gap)
P145	4' Closed Pool (7/8" x 3" Picket, 3" Gap)
P146	4' Closed Pool (7/8" x 3" Picket, 3 3/4" Gap)
P129	4 1/2' Closed Pool (1" x 2" Picket, 3 3/4" Gap)
P156	4 1/2' Closed Pool (1" x 2" Picket, 3 3/4" Gap)
P25	5' Closed Picket (1" x 2" Picket, 3 7/8" Gap)

P25A	5' Closed Picket (1" x 1" Picket, 2 1/2" Gap)
P25B	5' Closed Picket (1" x 1" Picket, 2 1/2" Gap)
P66	5' Closed Picket (1" x 1" Picket, 3" Gap)
P112	5' Closed Picket (1" x 1" Picket, 1" Gap)
P144	5' Closed Pool (1" x 2" Picket, 3" Gap)
P197	5' Semi-Privacy Pool (7/8" x 3" Picket, 9/16" Gap)
P340	5' x 6' Closed Picket Fence with Wide Pickets
P141	5 1/2' Closed Pool (1" x 1" Picket, 3" Gap)
P25C	6' Alternating Closed Picket Pool
P477	68" x 6' Closed Pool Fence w/ 7/8" x 1 1/2" Pickets & 3 7/8" Gap
P478	68" x 6' Closed Pool Fence w/ 7/8" x 3" Pickets & 3 7/16" Gap
P198	6' Semi-Privacy Pool (7/8" x 3" Picket, 9/16" Gap)

Performance Privacy Fence (2 x 6.5 Rail)

DRAWING #	Drawing Description
P475	4' x 8' Solid Privacy w/ 1" x 8" T&G Pickets
P26	60" x 6' Performance Privacy w/ 1" x 8" T&G Pickets
P517	60" x 8' Performance Privacy w/ 1" x 8" T&G Pickets
P518	68" x 6' Performance Privacy w/ 1" x 8" T&G Pickets
P519	68" x 8' Performance Privacy w/ 1" x 8" T&G Pickets
P421	68" x 6.5' Performance Privacy w/ 1" x 8" T&G Pickets
P520	70" x 6' Performance Privacy w/ 1" x 8" T&G Pickets
P521	70" x 8' Performance Privacy w/ 1" x 8" T&G Pickets
P27	72" x 6' Performance Privacy w/ 1" x 8" T&G Pickets
P345	72" x 8' Performance Privacy w/ 1" x 8" T&G Pickets
P139	6' Scalloped Privacy
P140	6' Inverted Privacy
P300	72" High x 70" Wide Privacy (Performance-True 6' Panel)
P299	72" High x 94" Wide Privacy (Performance-True 6' Panel)
P163	8' Privacy
P353	8' Privacy 7' wide with Mid-Rail & 1" x 8" T&G Panels

Classic Privacy Fence (1.5 x 5.5 Rail)

DRAWING #	Drawing Description
P398	60" x 6' Classic Privacy w/ 7/8" x 1 1/4" T&G Pickets
P394	60" x 6' Classic Privacy w/ 7/8" x 6" T&G Pickets
P399	60" x 8' Classic Privacy w/ 7/8" x 1 1/4" T&G Pickets
P395	60" x 8' Classic Privacy w/ 7/8" x 6" T&G Pickets
P415	68" x 6' Classic Privacy w/ 7/8" x 1 1/4" T&G Pickets
P485	68" x 6' Classic Privacy w/ 7/8" x 6" T&G Pickets
P419	68" x 8' Classic Privacy w/ 7/8" x 1 1/4" T&G Pickets
P402/P417	68" x 8' Classic Privacy w/ 7/8" x 6" T&G Pickets
P486	68" x 6' Classic Privacy w/ 7/8" x 1 1/4" NLTG Pickets
P434	68" x 6' Classic Privacy w/ 7/8" x 6" NLTG Pickets
P487	68" x 8' Classic Privacy w/ 7/8" x 1 1/4" NLTG Pickets
P488	68" x 8' Classic Privacy w/ 7/8" x 6" NLTG Pickets
P405	70" x 6' Classic Privacy w/ 7/8" x 1 1/4" T&G Pickets
P403	70" x 6' Classic Privacy w/ 7/8" x 6" T&G Pickets
P409	70" x 8' Classic Privacy w/ 7/8" x 1 1/4" T&G Pickets
P407	70" x 8' Classic Privacy w/ 7/8" x 6" T&G Pickets
P489	70" x 6' Classic Privacy w/ 7/8" x 1 1/4" NLTG Pickets

P430	70" x 6' Classic Privacy w/ 7/8" x 6" NLTG Pickets
P490	70" x 8' Classic Privacy w/ 7/8" x 11 1/4" NLTG Pickets
P432	70" x 8' Classic Privacy w/ 7/8" x 6" NLTG Pickets
P376	72" x 6' Classic Privacy w/ 7/8" x 11 1/4" T&G Pickets
P374	72" x 6' Classic Privacy w/ 7/8" x 6" T&G Pickets
P380	72" x 8' Classic Privacy w/ 7/8" x 11 1/4" T&G Pickets
P378	72" x 8' Classic Privacy w/ 7/8" x 6" T&G Pickets
P491	72" x 6' Classic Privacy w/ 7/8" x 11 1/4" NLTG Pickets
P426	72" x 6' Classic Privacy w/ 7/8" x 6" NLTG Pickets
P492	72" x 8' Classic Privacy w/ 7/8" x 11 1/4" NLTG Pickets
P428	72" x 8' Classic Privacy w/ 7/8" x 6" NLTG Pickets
P382	96" x 6' Privacy w/ Mid-Rail & 7/8" x 6" T&G Pickets
P438	96" x 6' Privacy w/ Mid-Rail & 7/8" x 6" NLTG Pickets
P384	96" x 6' Privacy w/ Mid-Rail & 7/8" x 11 1/4" T&G Pickets
P493	96" x 6' Privacy w/ Mid-Rail & 7/8" x 11 1/4" NLTG Pickets

Classic Privacy Fence 2 x 7 Rail

DRAWING #	Drawing Description
P400	60" x 6' Classic Privacy w/ 7/8" x 11 1/4" T&G Pickets
P396	60" x 6' Classic Privacy w/ 7/8" x 6" T&G Pickets
P401	60" x 8' Classic Privacy w/ 7/8" x 11 1/4" T&G Pickets
P397	60" x 8' Classic Privacy w/ 7/8" x 6" T&G Pickets
P416	68" x 6' Classic Privacy w/ 7/8" x 11 1/4" T&G Pickets
P414	68" x 6' Classic Privacy w/ 7/8" x 6" T&G Pickets
P420	68" x 8' Classic Privacy w/ 7/8" x 11 1/4" T&G Pickets
P418	68" x 8' Classic Privacy w/ 7/8" x 6" T&G Pickets
P494	68" x 6' Classic Privacy w/ 7/8" x 11 1/4" NLTG Pickets
P495	68" x 6' Classic Privacy w/ 7/8" x 6" NLTG Pickets
P496	68" x 8' Classic Privacy w/ 7/8" x 11 1/4" NLTG Pickets
P497	68" x 8' Classic Privacy w/ 7/8" x 6" NLTG Pickets
P406	70" x 6' Classic Privacy w/ 7/8" x 11 1/4" T&G Pickets
P404	70" x 6' Classic Privacy w/ 7/8" x 6" T&G Pickets
P410	70" x 8' Classic Privacy w/ 7/8" x 11 1/4" T&G Pickets
P408	70" x 8' Classic Privacy w/ 7/8" x 6" T&G Pickets
P498	70" x 6' Classic Privacy w/ 7/8" x 11 1/4" NLTG Pickets
P431	70" x 6' Classic Privacy w/ 7/8" x 6" NLTG Pickets
P499	70" x 8' Classic Privacy w/ 7/8" x 11 1/4" NLTG Pickets
P433	70" x 8' Classic Privacy w/ 7/8" x 6" NLTG Pickets
P377	72" x 6' Classic Privacy w/ 7/8" x 11 1/4" T&G Pickets
P375	72" x 6' Classic Privacy w/ 7/8" x 6" T&G Pickets
P381	72" x 8' Classic Privacy w/ 7/8" x 11 1/4" T&G Pickets
P379	72" x 8' Classic Privacy w/ 7/8" x 6" T&G Pickets
P500	72" x 6' Classic Privacy w/ 7/8" x 11 1/4" NLTG Pickets
P427	72" x 6' Classic Privacy w/ 7/8" x 6" NLTG Pickets
P501	72" x 8' Classic Privacy w/ 7/8" x 11 1/4" NLTG Pickets
P429	72" x 8' Classic Privacy w/ 7/8" x 6" NLTG Pickets
P383	8' x 6' Privacy w/ Mid-Rail & 7/8" x 6" T&G Pickets
P439	8' x 6' Privacy w/ Mid-Rail & 7/8" x 6" NLTG Pickets
P385	8' x 6' Privacy w/ Mid-Rail & 7/8" x 11 1/4" T&G Pickets
P502	8' x 6' Privacy w/ Mid-Rail & 7/8" x 11 1/4" NLTG Pickets

Decorative Privacy Fence (1.75 x 8 Rail)	
DRAWING #	Drawing Description
P503	60" x 6' Deco Privacy w/ 7/8" x 11 1/4" T&G Pickets
P504	60" x 6' Deco Privacy w/ 7/8" x 6" T&G Pickets
P505	60" x 8' Deco Privacy w/ 7/8" x 11 1/4" T&G Pickets
P506	60" x 8' Deco Privacy w/ 7/8" x 6" T&G Pickets
P507	68" x 6' Deco Privacy w/ 7/8" x 11 1/4" T&G Pickets
P508	68" x 6' Deco Privacy w/ 7/8" x 6" T&G Pickets
P476	68" x 8' Deco Privacy w/ 7/8" x 11 1/4" T&G Pickets
P509	68" x 8' Deco Privacy w/ 7/8" x 6" T&G Pickets
P510	70" x 6' Deco Privacy w/ 7/8" x 11 1/4" T&G Pickets
P511	70" x 6' Deco Privacy w/ 7/8" x 6" T&G Pickets
P473	70" x 8' Deco Privacy w/ 7/8" x 11 1/4" T&G Pickets
P512	70" x 8' Deco Privacy w/ 7/8" x 6" T&G Pickets
P513	72" x 6' Deco Privacy w/ 7/8" x 11 1/4" T&G Pickets
P514	72" x 6' Deco Privacy w/ 7/8" x 6" T&G Pickets
P515	72" x 8' Deco Privacy w/ 7/8" x 11 1/4" T&G Pickets
P516	72" x 8' Deco Privacy w/ 7/8" x 6" T&G Pickets
Privacy Fence Gates	
DRAWING #	Drawing Description
P448	68" x 47" Classic Privacy Gate (1 1/2" x 5 1/2" Rail) w/ 4" x 4" Stile & 7/8" x 6" NLTG
P450	68" x 47" Classic Privacy Gate (1 1/2" x 5 1/2" Rail) w/ 1 3/4" x 3 1/2" Stile & 7/8" x 6" NLTG
P449	68" x 47" Classic Privacy Gate (2" x 7" Rail) w/ 4" x 4" Stile & 7/8" x 6" NLTG
P451	68" x 47" Classic Privacy Gate (2" x 7" Rail) w/ 2 1/2" x 3 1/2" Stile & 7/8" x 6" NLTG
P444	70" x 47" Classic Privacy Gate (1 1/2" x 5 1/2" Rail) w/ 4" x 4" Stile & 7/8" x 6" NLTG
P446	70" x 47" Classic Privacy Gate (1 1/2" x 5 1/2" Rail) w/ 1 3/4" x 3 1/2" Stile & 7/8" x 6" NLTG
P445	70" x 47" Classic Privacy Gate (2" x 7" Rail) w/ 4" x 4" Stile & 7/8" x 6" NLTG
P447	70" x 47" Classic Privacy Gate (2" x 7" Rail) w/ 2 1/2" x 3 1/2" Stile & 7/8" x 6" NLTG
P386	72" x 45 Classic Privacy Gate (1 1/2" x 5 1/2" Rail) w/ 4" x 4" Stile & 7/8" x 6" T&G Picket
P388	72" x 47" Classic Privacy Gate (1 1/2" x 5 1/2" Rail) w/ 4" x 4" Stile & 7/8" x 11 1/4" T&G Picket
P390	72" x 45 Classic Privacy Gate (1 1/2" x 5 1/2" Rail) w/ 1 3/4" x 3 1/2" Stile & 7/8" x 6" T&G Picket
P392	72" x 47" Classic Privacy Gate (1 1/2" x 5 1/2" Rail) w/ 1 3/4" x 3 1/2" Stile & 7/8" x 11 1/4" T&G Picket
P440	72" x 47" Classic Privacy Gate (1 1/2" x 5 1/2" Rail) w/ 4" x 4" Stile & 7/8" x 6" NLTG Picket
P442	72" x 47" Classic Privacy Gate (1 1/2" x 5 1/2" Rail) w/ 1 3/4" x 3 1/2" Stile & 7/8" x 6" NLTG Picket
P387	72" x 45 Classic Privacy Gate (2" x 7" Rail) w/ 4" x 4" Stile & 7/8" x 6" T&G Picket
P389	72" x 47" Classic Privacy Gate (2" x 7" Rail) w/ 4" x 4" Stile & 7/8" x 11 1/4" T&G Picket
P391	72" x 45 Classic Privacy Gate (2" x 7" Rail) w/ 2 1/2" x 3 1/2" Stile & 7/8" x 6" T&G Picket
P393	72" x 47" Classic Privacy Gate (2" x 7" Rail) w/ 2 1/2" x 3 1/2" Stile & 7/8" x 11 1/4" T&G Picket
P441	72" x 47" Classic Privacy Gate (2" x 7" Rail) w/ 4" x 4" Stile & 7/8" x 6" NLTG Picket
P443	72" x 47" Classic Privacy Gate (2" x 7" Rail) w/ 2 1/2" x 3 1/2" Stile & 7/8" x 6" NLTG Picket
P464	96" x 47" Classic Privacy Gate (1 1/2" x 5 1/2" Rail) w/ 4" x 4" Stile & 7/8" x 6" T&G Picket
P468	96" x 47" Classic Privacy Gate (1 1/2" x 5 1/2" Rail) w/ 4" x 4" Stile & 7/8" x 11 1/4" T&G Picket
P452	96" x 47" Classic Privacy Gate (1 1/2" x 5 1/2" Rail) w/ 4" x 4" Stile & 7/8" x 6" NLTG Picket
P453	96" x 47" Classic Privacy gate 2" x 7" 7/8" x 6" NL 4" x 4" Stile
P454	96" x 47" Classic Privacy gate 1 1/2" x 5 1/2" 7/8" x 6" NL 1 3/4" Stile
P455	96" x 47" Classic Privacy gate 2" x 7" 7/8" x 6" NL 2 1/4 Stile
P456	68 x 47" Classic Privacy gate 1 1/2" x 5 1/2" 7/8" x 6" 4" x 4" Stile
P457	68x 47" Classic Privacy gate 2" x 7" 7/8" x 6" 4" x 4" Stile

P458	68 x 47" Classic Privacy gate 1 1/2" x 5 1/2" 7/8" x 6" 1 3/4" Stile
P459	68 x 47" Classic Privacy gate 2" x 7" 7/8" x 6" 2 1/4 Stile
P460	68 x 47" Classic Privacy gate 1 1/2" x 5 1/2" 7/8" x 11 1/4" 4" x 4" Stile
P461	68 x 47" Classic Privacy gate 2" x 7" 7/8" x 11 1/4" 4" x 4" Stile
P462	68 x 47" Classic Privacy gate 1 1/2" x 5 1/2" 7/8" x 11 1/4" 1 3/4" Stile
P463	68 x 47" Classic Privacy gate 2" x 7" 7/8" x 11 1/4" 2 1/4 Stile
P464	96" x 47" Classic Privacy gate 1 1/2" x 5 1/2" 7/8" x 6" 4" x 4" Stile
P465	96" x 47" Classic Privacy gate 2" x 7" 7/8" x 6" 4" x 4" Stile
P466	96" x 47" Classic Privacy gate 1 1/2" x 5 1/2" 7/8" x 6" 1 3/4" Stile
P467	96" x 47" Classic Privacy gate 2" x 7" 7/8" x 6" 2 1/4 Stile
P468	96" x 47" Classic Privacy gate 1 1/2" x 5 1/2" 7/8" x 11 1/4" 4" x 4" Stile
P469	96" x 47" Classic Privacy gate 2" x 7" 7/8" x 11 1/4" 4" x 4" Stile
P470	96" x 47" Classic Privacy gate 1 1/2" x 5 1/2" 7/8" x 11 1/4" 1 3/4" Stile
P471	96" x 47" Classic Privacy gate 2" x 7" 7/8" x 11 1/4" 2 1/4 Stile
Privacy Fence with Lattice	
DRAWING #	Drawing Description
P29B	5' Privacy Fence w/ 12" Lattice 1 1/2" x 5 1/2" SLOTTED
P30B	6' Privacy Fence w/ 12" Lattice 1 1/2" x 5 1/2" SLOTTED
P31	6' Privacy Fence w/ 12" Lattice (Performance)
P30	6' Privacy Fence w/ 16" Lattice 1 1/2" x 5 1/2" SLOTTED
P31C	6' Privacy Fence w/ 16" Lattice (Performance)
P29	5' Privacy Fence w/ 16" Lattice 1 1/2" x 5 1/2" SLOTTED
P130	7' Privacy Fence w/ 12" Lattice
P116	6' Routed Lattice Top Privacy 1 3/8" SQ PICKET
P369	6' x 6' Classic Privacy with Lattice 7/8" x 11 1/4" PICKET
P370	6' x 8' Classic Privacy with Lattice 7/8" x 11 1/4" PICKET
Privacy Fence with Custom Accents	
DRAWING #	Drawing Description
P30E	6' Privacy Fence w/ Sunburst (45" OC)
P30F	6' Privacy Fence w/ Sunburst (61" OC)
P344	6' x 6' Privacy Fence with Sunburst
P368	6' x 8' Privacy Fence with Sunburst
P30D	6' Privacy Fence w/ Dual Sunburst
P81	5' Privacy Fence w/ Open Picket Accent
P83	6' Privacy Fence w/ Scalloped Picket Accent
P84	6' Privacy Fence w/ Picket Accent
P339	6' x 8' Privacy with Scalloped Accent and Straight Rail
Basket Weave Fence	
DRAWING #	Drawing Description
P412	5' Basket Weave
P411	6' Basket Weave
P356	6' Basket Weave Lattice Accent 7/8" x 6" RB Plank
Shadow Box Fence	
DRAWING #	Drawing Description
P33	6' Picket Shadow Box
P107	Shadow Box
P472	6' Routed Shadow Box Fence
P342	6' Routed Shadow Box Fence with Lattice Accent 7/8" x 6" RB Plank

Semi-Privacy Fence	
DRAWING #	Drawing Description
P58A	1" x 6" Privacy 7/8" x 6" RB Plank
P85	6' Semi-Privacy (1" Gap) 7/8" x 1 1/2" PICKET & 7/8" x 3" Picket
P134	4' Lattice Panel
P135	5' Lattice Panel
P115	6' Lattice Panel
P422	60" x 6' Semi Privacy with Mid-Rail w/ 7/8" x 6" Rib Plank
P423	60" x 8' Semi Privacy with Mid-Rail w/ 7/8" x 6" Rib Plank
P424	72" x 6' Semi Privacy with Mid-Rail w/ 7/8" x 6" Rib Plank
P425	72" x 8' Semi Privacy with Mid-Rail w/ 7/8" x 6" Rib Plank
Louvered Fence	
	# Drawing Description
P359	5' Louvered Fence 7/8" x 6" RB Plank 7/8" x 6" RB Plank
P360	6' Louvered Fence 7/8" x 6" RB Plank 7/8" x 6" RB Plank
Ornamental Iron Style Fence	
DRAWING #	Drawing Description
P46	5' Ornamental Iron Style Picket Fence
P46A	5' Ornamental Iron Style Picket Fence
P46B	5' Ornamental Iron Style Picket Fence
P46C	5' Ornamental Iron Style Picket Fence
P47	5' Ornamental Iron Style Picket Fence
P47A	5' Ornamental Iron Style Picket Fence
P48	5' Ornamental Iron Style Picket Fence
P48A	5' Ornamental Iron Style Picket Fence
Porch & Deck Rails	
DRAWING #	Drawing Description
P308	3 1/2' x 8' Standard Rail (STD wall)
P311	3 1/2' x 8' Standard Rail (RW)
P314	3 1/2' x 8' Contour Rail
P317	3 1/2' x 8' T-Rail
P320	3 1/2' x 8' with 3" x 3" Rails
P119	3 1/2' High Reinforced Porch Rail (1 3/4" x 1 3/4" Picket)
P338	3 1/2' x 8' Standard Rail w/ Decorative Cap Rail
P315	3' x 10' Contour Rail
P321	3' x 10' with 3 x 3 Rails
P309	3' x 10' Standard Rail (STD wall)
P318	3' x 10' T-Rail
P310	3 1/2' x 6' Standard Stair Rail (STD wall)
P313	3 1/2' x 6' Standard Stair Rail (RW)
P316	3 1/2' x 6' Contour Stair Rail
P319	3 1/2' x 6' T-Rail Stair Rail
P324	3 1/2' x 8' T-Rail Stair Rail
P322	3 1/2' x 8' Standard Stair Rail (STD Wall)
P352	3 1/2' x 8' Standard Stair Rail (RW Wall)
P323	3 1/2' x 8' Contour Stair Rail
P111	3' High Decorative Cap Porch Rail (Spindles)
P43	3' High Porch Rail System 7/8" x 1 1/2" PICKET

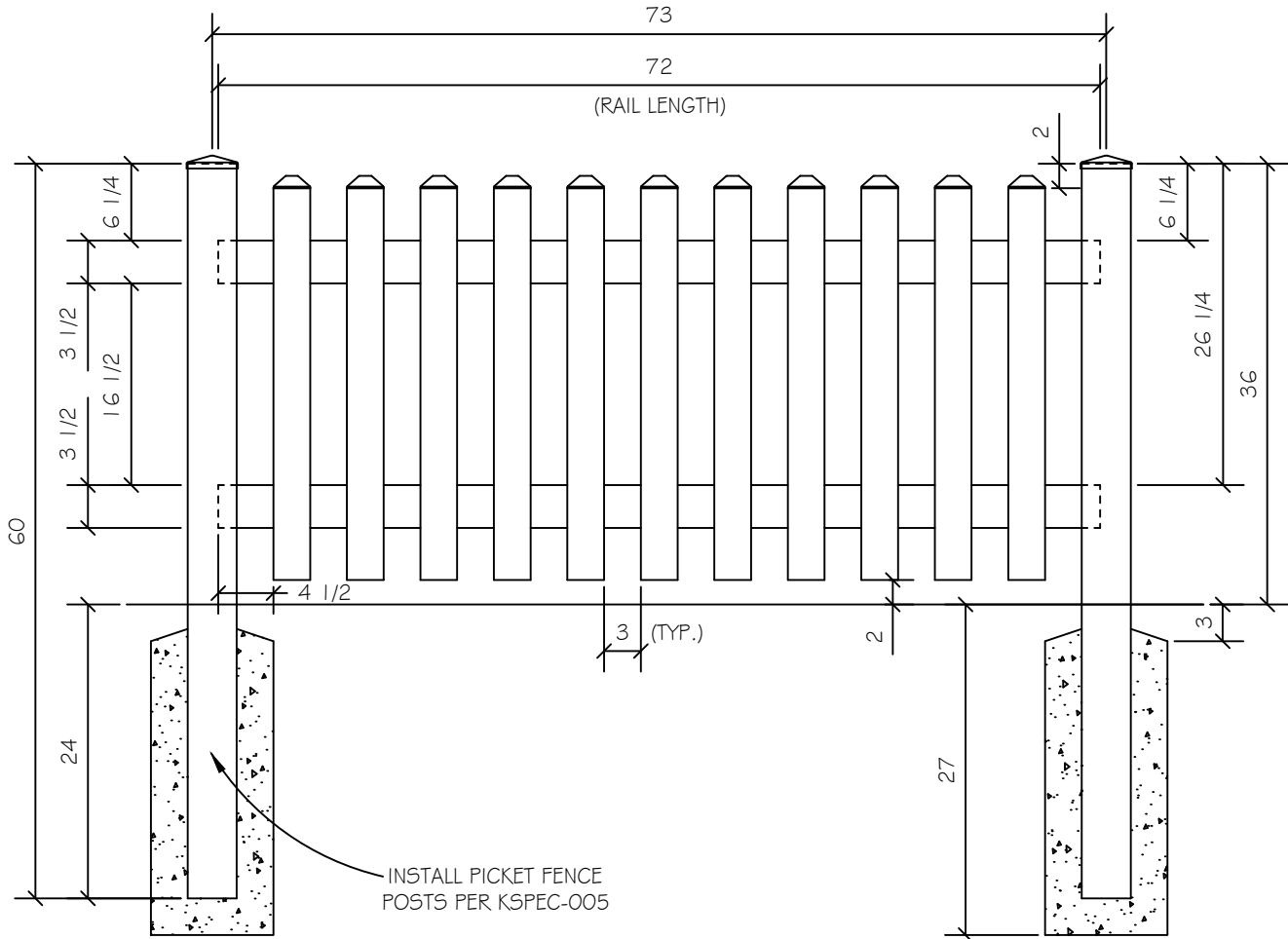
P43B	3' High Porch Rail System 7/8" x 1 1/2" PICKET
P43E	3' High Porch Rail w/ Sunburst 7/8" x 1 1/2" PICKET
P101	3' High Porch Rail (1 3/8" x 1 3/8" Picket, 3 5/8" Gap)
P70	3' High Sunburst Porch Rail
Ranch Rail Fence	
DRAWING #	Drawing Description
P37	Diamond Rail (2)
P105	3' Diamond Residential Rail (2)
P38	Diamond Rail (3)
P103	2 Rail Residential Ranch
P413	36" x 8' Ranch Rail w/ 2" x 6" Ribbed Rail
P104	3 Rail Residential Ranch
P21A	5' 3" Rail Ranch (2" x 6" Rail)
P109	3 Rail Residential Ranch (2" x 8" Rib Rail)
P303	4' 3 Rail Pre-Fab Classic Ranch Rail (6' Post)
P304	4 1/2' 3 Rail Pre-Fab Classic Ranch Rail (6 1/2" Post)
P305	5' 3" Rail Pre-Fab Classic Ranch Rail (7' Post)
P306	5' 4" Rail Pre-Fab Classic Ranch Rail (7' Post)
P22A	5' 4" Rail Ranch (2" x 6" Rail)
P110	4 Rail Residential Ranch (2" x 8" Rib Rail)
P474	41" x 97" Crossbuck Rail
Pergolas & Arbors	
DRAWING #	Drawing Description
P164	8' x 16' Standard Pergola
P165	16' x 16' Standard Pergola
P167	10' x 14' Step Pergola
P168	10' x 20' Trellise Pergola
P169	16' Octagon Pergola
P169_17-05A	16' Octagon Pergola
P166	10' x 16' Pergola w/ Radiused Extension
P218	10' x 14' Custom Pergola
P219	10' x 14' Custom Pergola
P215	Kroy Gazebo
P127	Signature Arbor
P365	6' x 10' Covered Bench Seats
P65	Trellis
P193	Garden Arbor 7/8" x 1 1/2" PICKET
P120	Classic Arbor 7/8" x 1 1/2" PICKET

3 ft. Straight Picket Fence

3 inch Gap

REQ'D MATERIAL PER 6' SECTION

- | | |
|---|---|
| POST:
(1) 4" X 4" X 60" | PICKET:
(11) 7/8" X 3" X 32" |
| POST CAP:
(1) 4" X 4" Decorative Cap | PICKET CAP:
(11) 7/8" X 3" Dog Ear |
| RAIL:
(2) 2" X 3 1/2" X 72" Open RW | HARDWARE:
(22) 5/8" Cap Plug
(22) 3/16" M Balbex Rivet 1/4" Grp |

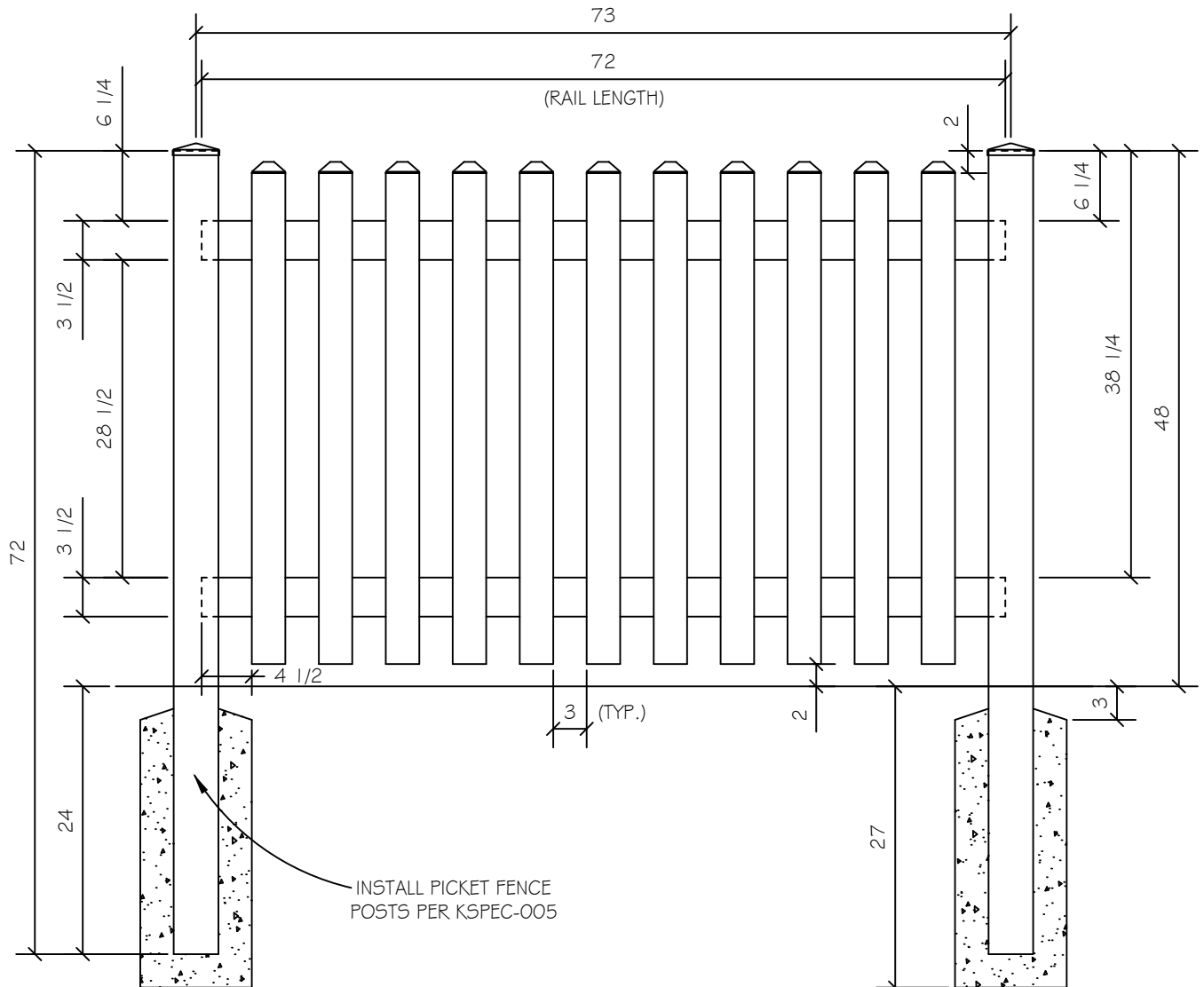


4 ft. Straight Picket Fence

3 inch Gap

REQ'D MATERIAL PER 6' SECTION

- | | |
|---|---|
| POST:
(1) 4" X 4" X 72" | PICKET:
(11) 7/8" X 3" X 44" |
| POST CAP:
(1) 4" X 4" Decorative Cap | PICKET CAP:
(11) 7/8" X 3" Dog Ear Cap |
| RAIL:
(2) 2" X 3 1/2" X 72" Open RW | HARDWARE:
(22) 5/8" Cap Plug
(22) 3/16" M Balbex Rivet 1/4" Grp |



5 ft. Straight Picket Fence

3 inch Gap

REQ'D MATERIAL PER 6' SECTION

POST:

(1) 4" X 4" X 84"

POST CAP:

(1) 4" X 4" Decorative Cap

RAIL:

(2) 2" X 3 1/2" X 72" Open RW

PICKET:

(11) 7/8" X 3" X 56"

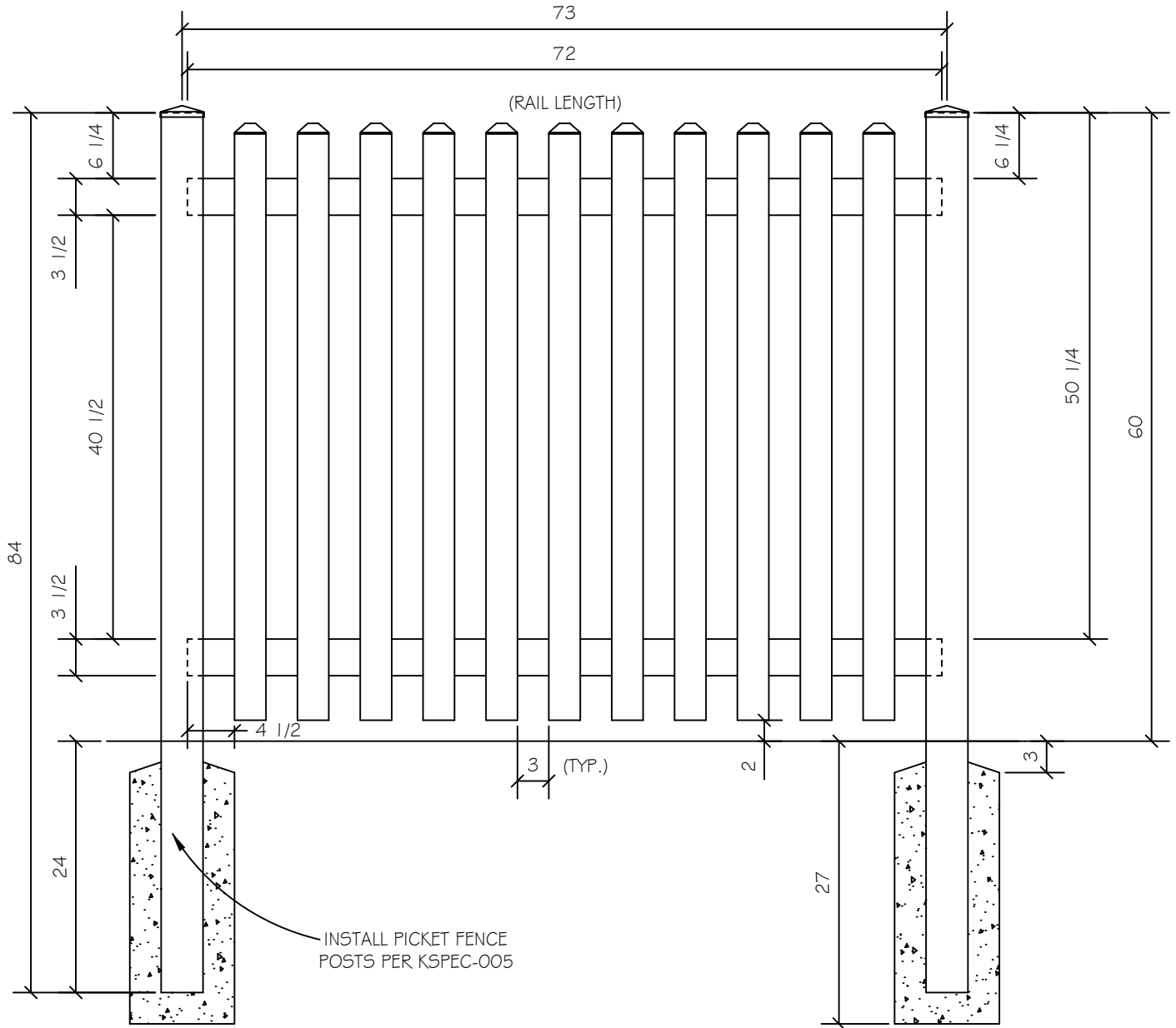
PICKET CAP:

(11) 7/8" X 3" Dog Ear Cap

HARDWARE:

(22) 5/8" Cap Plug

(22) 3/16" M Balbex Rivet 1/4" Grp



6 ft. Straight Picket Fence

3 inch Gap

REQ'D MATERIAL PER 6' SECTION

POST:

(1) 5" X 5" X 96"

POST CAP:

(1) 5" X 5" External Long Cap

RAIL:

(3) 2" X 3 1/2" X 72" Open RW

PICKET:

(11) 7/8" X 3" X 68"

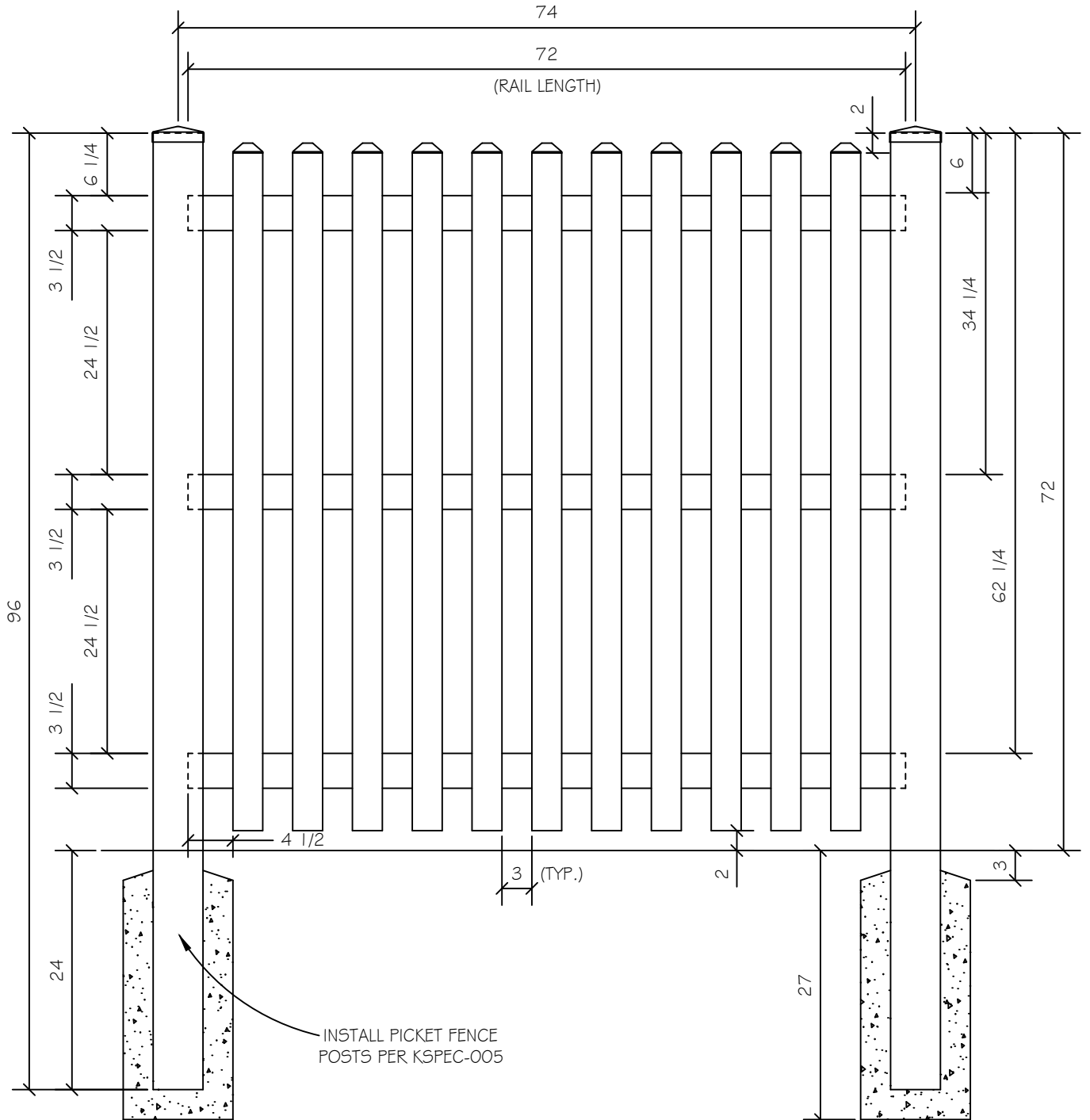
PICKET CAP:

(11) 7/8" X 3" Dog Ear Cap

HARDWARE:

(33) 5/8" Cap Plug

(33) 3/16" M Balbex Rivet 1/4" Grp

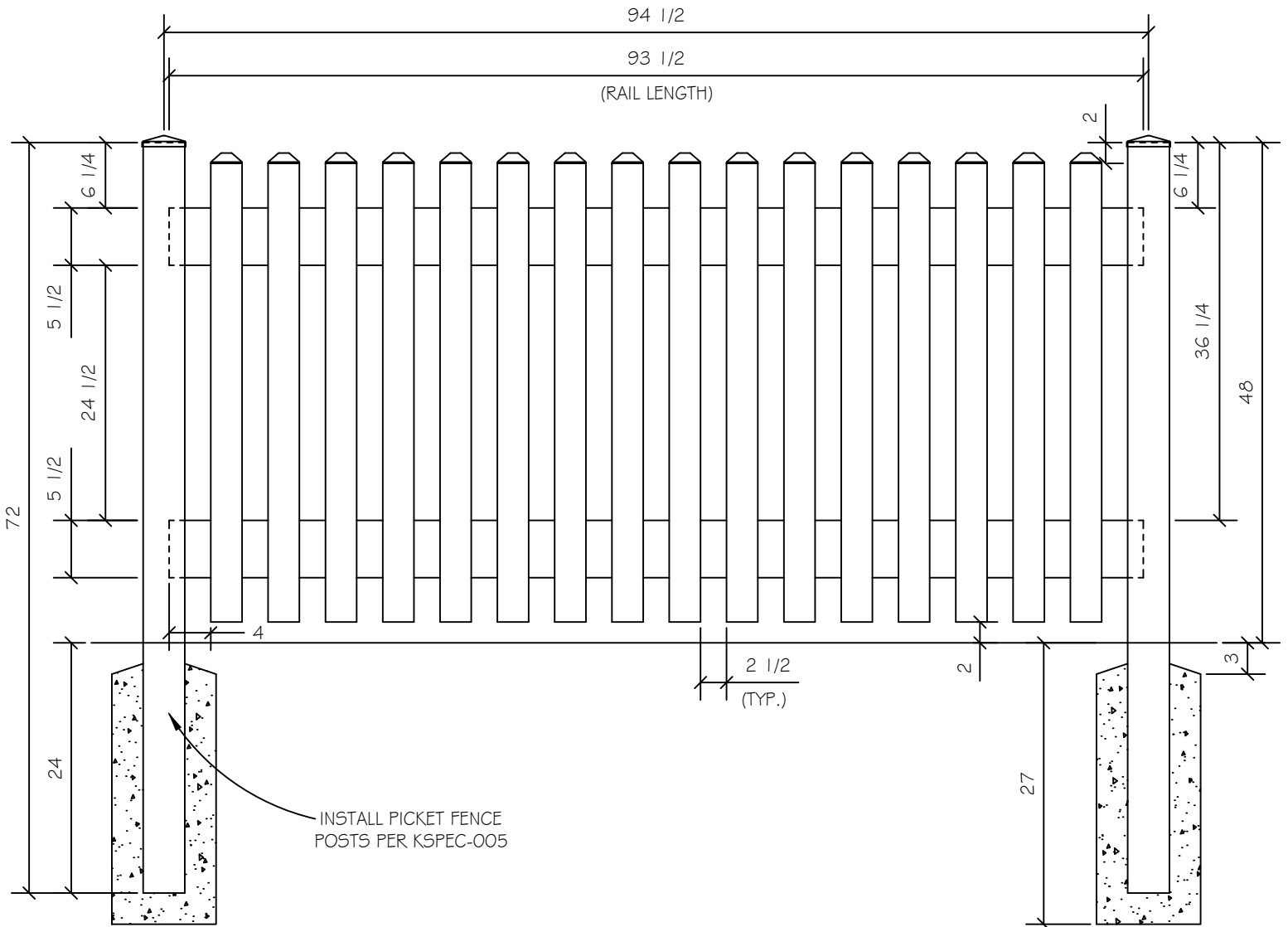


4 ft Straight Picket Fence

2 1/2 inch Gap

REQ'D MATERIAL PER 8' SECTION

- | | |
|--------------------------------------|------------------------------------|
| POST: | PICKET: |
| (1) 4" X 4" X 72" | (16) 7/8" X 3" X 44" |
| POST CAP: | PICKET CAP: |
| (1) 4" X 4" Decorative Cap | (16) 7/8" X 3" Dog Ear Cap |
| RAIL: | HARDWARE: |
| (2) 1 1/2" X 5 1/2" X 93 1/2" Ribbed | (32) 5/8" Cap Plug |
| | (32) 3/16" M Balbex Rivet 1/4" Grp |

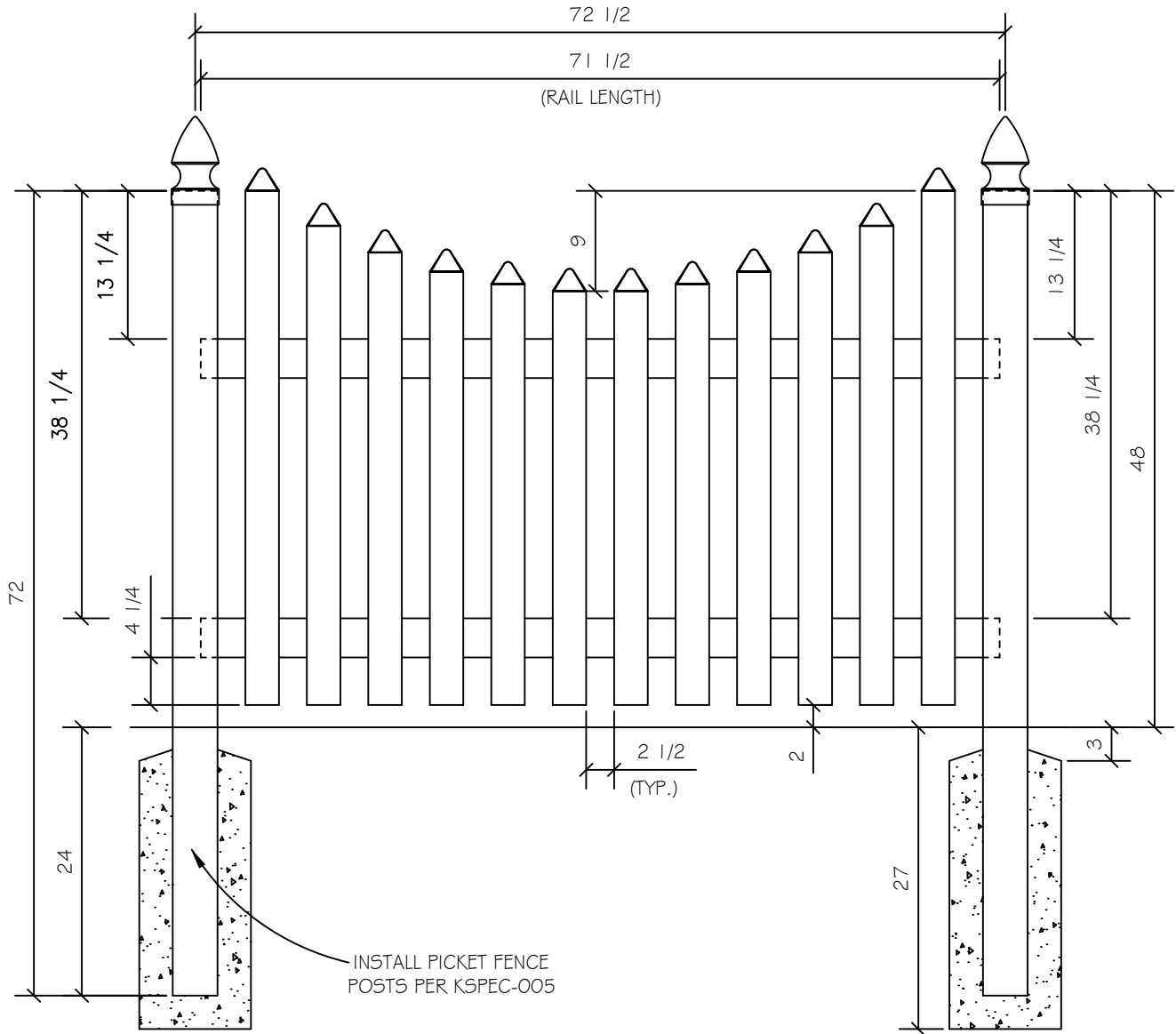


4 ft Scalloped Picket Fence

2 1/2 inch Gap

REQ'D MATERIAL PER 6' SECTION

- | | |
|------------------------------------|--------------------------|
| POST: | PICKET: |
| (1) 4" X 4" X 72" | (2) 7/8" X 3" X 37" |
| POST CAP: | (2) 7/8" X 3" X 37 5/8" |
| (1) 4" X 4" Gothic Cap | (2) 7/8" X 3" X 38 3/4" |
| RAIL: | (2) 7/8" X 3" X 40 1/2" |
| (2) 2" X 3 1/2" X 71 1/2" Open RW | (2) 7/8" X 3" X 42 7/8" |
| HARDWARE: | (2) 7/8" X 3" X 46" |
| (24) 5/8" Cap Plug | PICKET CAP: |
| (24) 3/16" M Balbex Rivet 1/4" Grp | (12) 7/8" X 3" Spade Cap |



4 ft Scalloped Picket Fence

1 3/4 inch Gap

REQ'D MATERIAL PER 6' SECTION

POST:

(1) 4" X 4" X 72"

POST CAP:

(1) 4" X 4" Gothic Cap

RAIL:

(2) 2" X 3 1/2" X 71 1/4" Open RW

HARDWARE:

(28) 5/8" Cap Plug

(28) 3/16" M Balbex Rivet 1/4" Grp

PICKET:

(2) 7/8" X 3" X 37"

(2) 7/8" X 3" X 37 1/2"

(2) 7/8" X 3" X 38 1/4"

(2) 7/8" X 3" X 39 1/2"

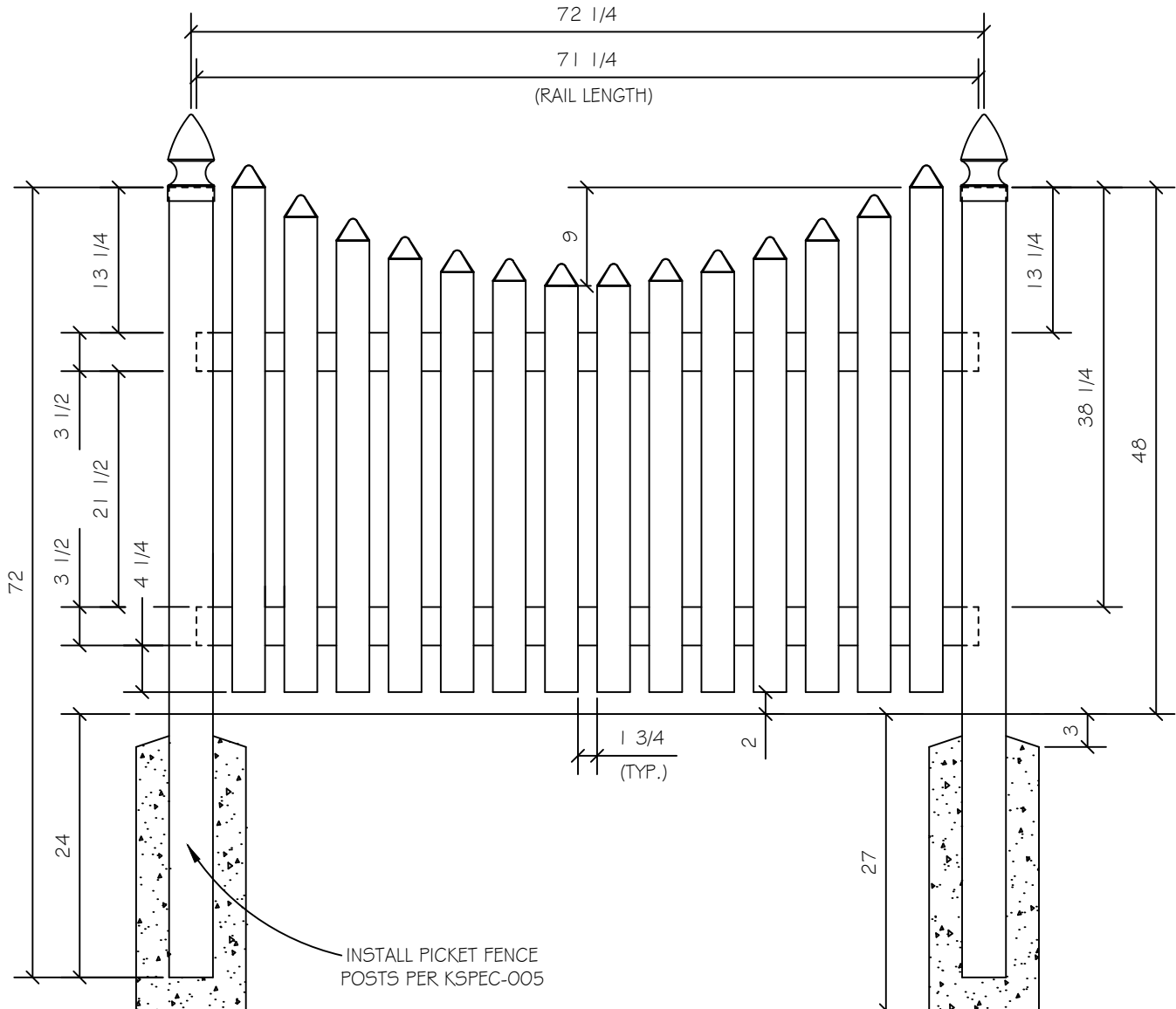
(2) 7/8" X 3" X 41 1/8"

(2) 7/8" X 3" X 43 1/4"

(2) 7/8" X 3" X 46"

PICKET CAP:

(14) 7/8" X 3" Spade Cap



INSTALL PICKET FENCE POSTS PER KSPEC-005

4 ft Scalloped Picket Fence, 12 in. Rise 1 inch Gap

REQ'D MATERIAL PER 6' SECTION

POST:

(1) 4" X 4" X 72"

POST CAP:

(1) 4" X 4" Decorative Cap

RAIL:

(2) 2" X 3 1/2" X 72" Open RW

PICKET CAP:

(17) 7/8" X 3" Dog Ear Cap

HARDWARE:

(34) 5/8" Cap Plug

(34) 3/16" M Balbex Rivet 1/4" Grp

PICKET:

(1) 7/8" X 3" X 58"

(2) 7/8" X 3" X 57 3/4"

(2) 7/8" X 3" X 57 3/8"

(2) 7/8" X 3" X 56 5/8"

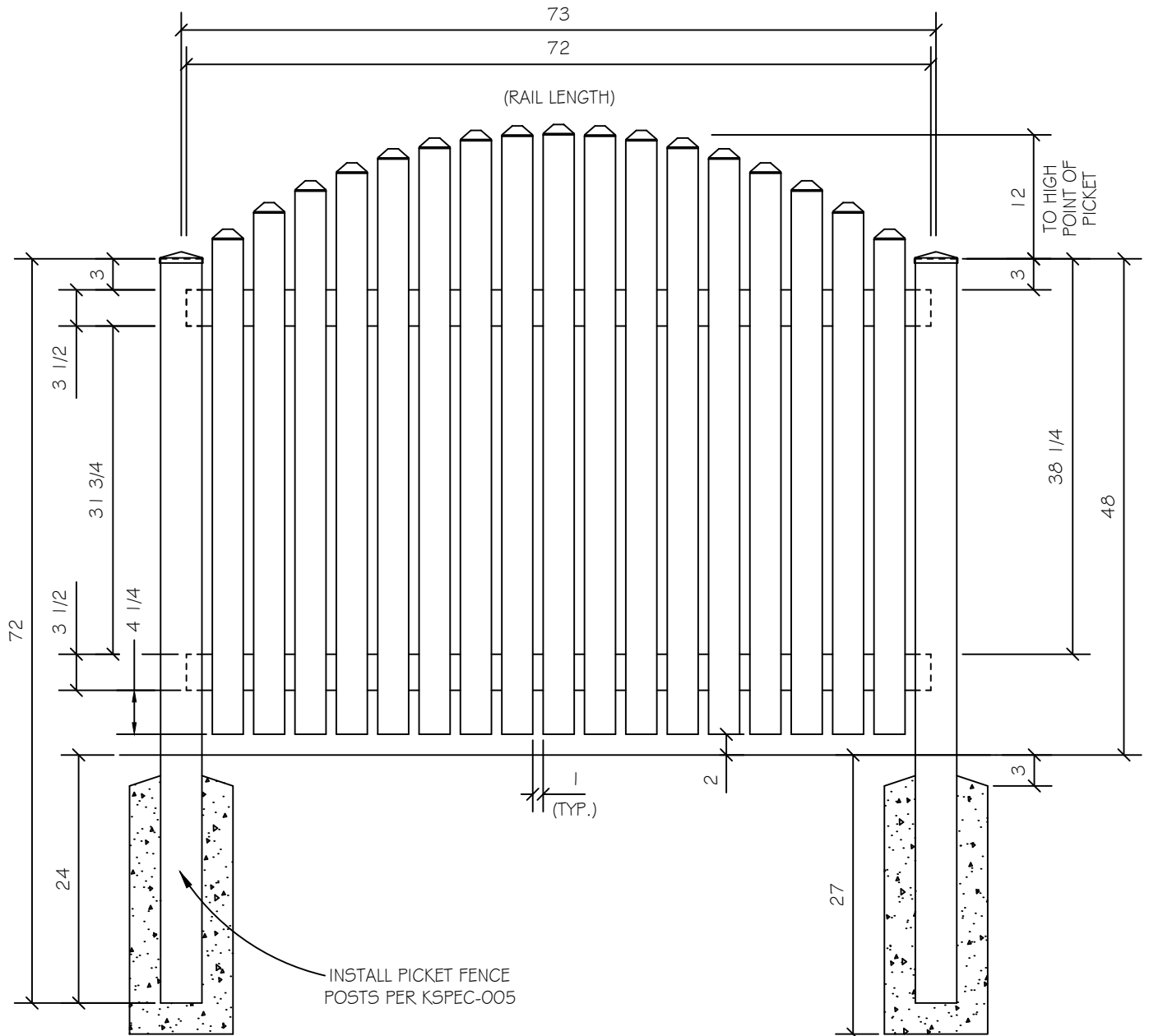
(2) 7/8" X 3" X 55 5/8"

(2) 7/8" X 3" X 54 1/4"

(2) 7/8" X 3" X 52 1/2"

(2) 7/8" X 3" X 50 3/8"

(2) 7/8" X 3" X 47 3/4"

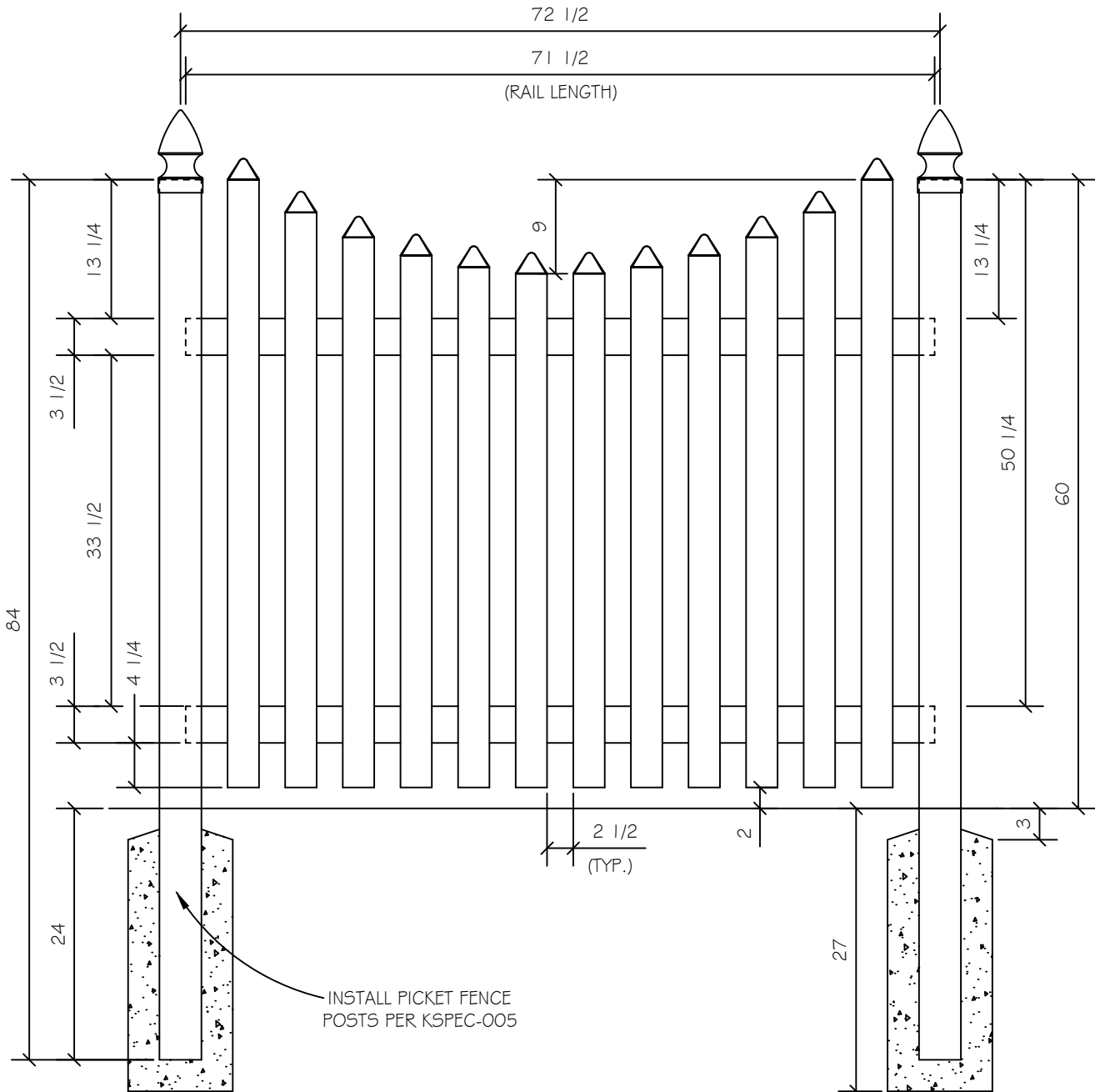


5 ft Scalloped Picket Fence

2 1/2 inch Gap

REQ'D MATERIAL PER 6' SECTION

POST: (1) 4" X 4" X 84"	PICKET: (2) 7/8" X 3" X 49"
POST CAP: (1) 4" X 4" Gothic Cap	(2) 7/8" X 3" X 49 5/8"
RAIL: (2) 2" X 3 1/2" X 71 1/2" Open RW	(2) 7/8" X 3" X 50 3/4"
HARDWARE: (24) 5/8" Cap Plug (24) 3/16" M Balbex Rivet 1/4" Grp	(2) 7/8" X 3" X 52 1/2" (2) 7/8" X 3" X 54 7/8" (2) 7/8" X 3" X 58" PICKET CAP: (12) 7/8" X 3" Spade Cap

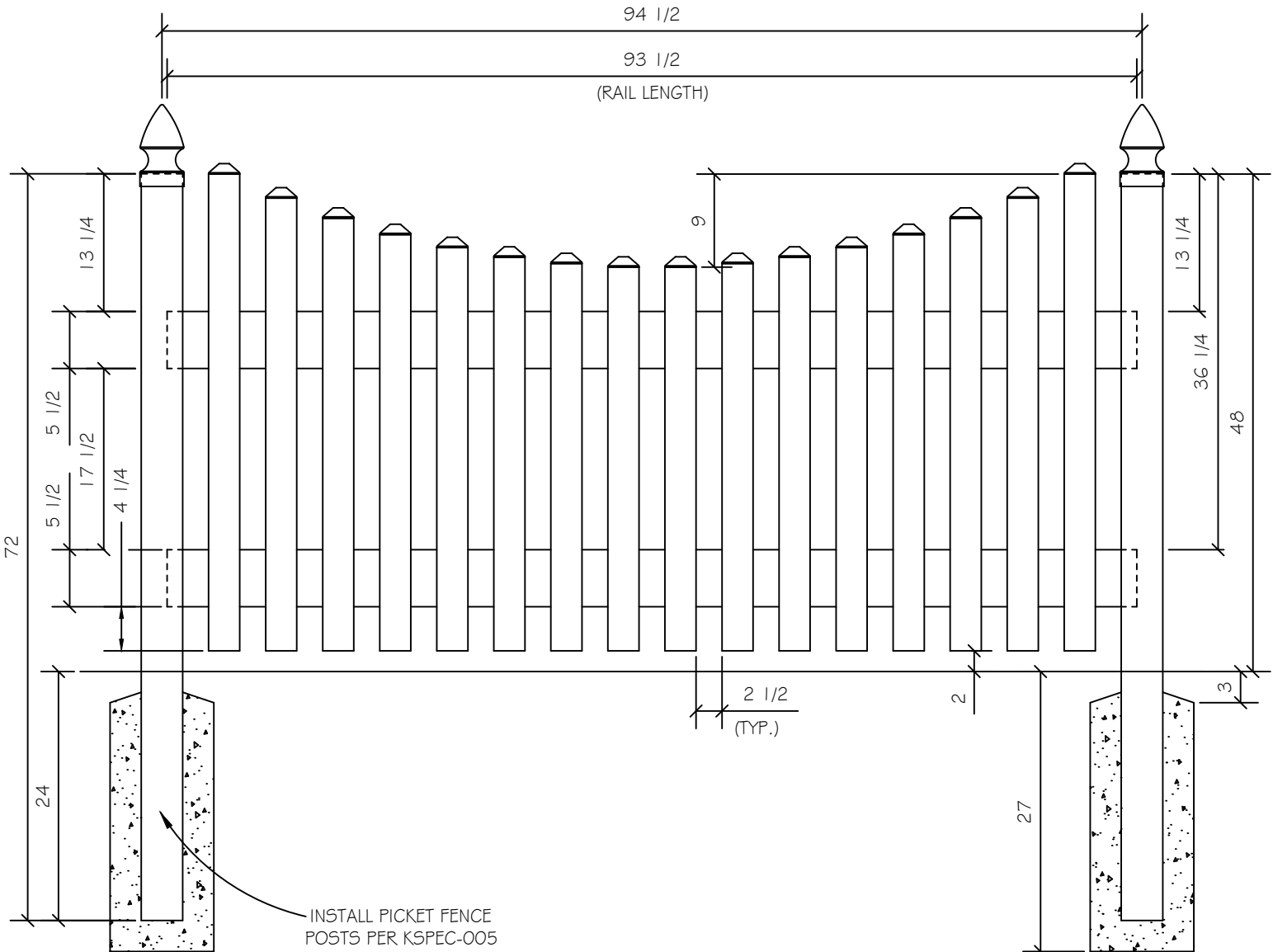


4 ft Scalloped Picket Fence

2 1/2 inch Gap

REQ'D MATERIAL PER 8' SECTION

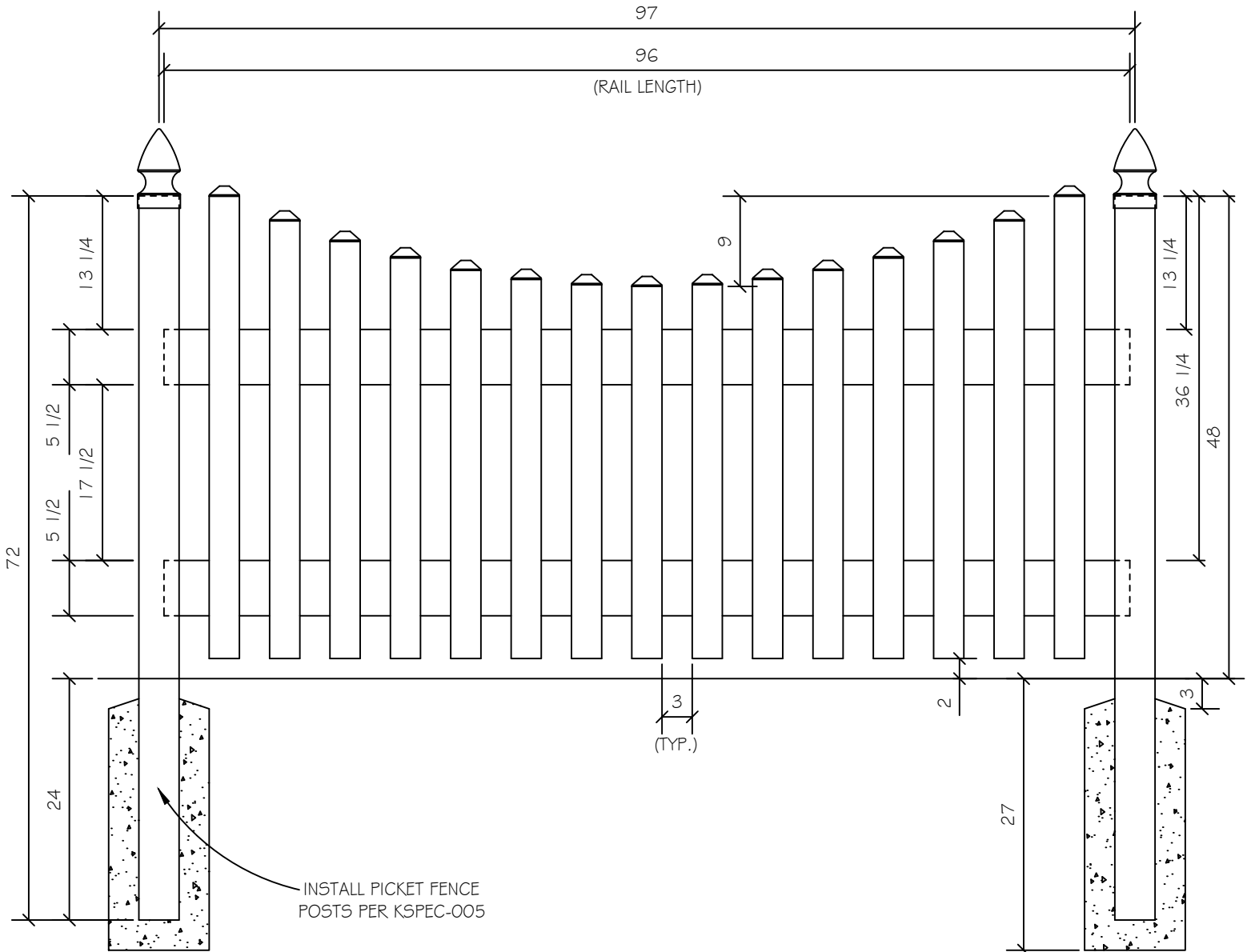
- | | |
|--------------------------------------|-------------------------|
| POST: | PICKET: |
| (1) 4" X 4" X 72" | (2) 7/8" X 3" X 37" |
| POST CAP: | (2) 7/8" X 3" X 37 5/8" |
| (1) 4" X 4" Gothic Cap | (2) 7/8" X 3" X 38" |
| RAIL: | (2) 7/8" X 3" X 38 7/8" |
| (2) 1 1/2" X 5 1/2" X 93 1/2" Ribbed | (2) 7/8" X 3" X 40 1/8" |
| PICKET CAP: | (2) 7/8" X 3" X 41 3/4" |
| (16) 7/8" X 3" Dog Ear Cap | (2) 7/8" X 3" X 43 3/4" |
| HARDWARE: | (2) 7/8" X 3" X 46" |
| (32) 5/8" Cap Plug | |
| (32) 3/16" M Balbex Rivet 1/4" Grp | |



4 ft Scalloped Picket Fence 3 inch Gap

REQ'D MATERIAL PER 8' SECTION

POST:	PICKET:
(1) 4" X 4" X 72"	(1) 7/8" X 3" X 37"
POST CAP:	(2) 7/8" X 3" X 37 1/4"
(1) 4" X 4" Gothic Cap	(2) 7/8" X 3" X 37 5/8"
RAIL:	(2) 7/8" X 3" X 38 1/2"
(2) 1 1/2" X 5 1/2" X 96" Ribbed	(2) 7/8" X 3" X 39 3/4"
PICKET CAP:	(2) 7/8" X 3" X 41 1/2"
(15) 7/8" X 3" Dog Ear Cap	(2) 7/8" X 3" X 43 1/2"
HARDWARE:	(2) 7/8" X 3" X 46"
(30) 5/8" Cap Plug	
(30) 3/16" M Ballbex Rivet 1/4" Grp	

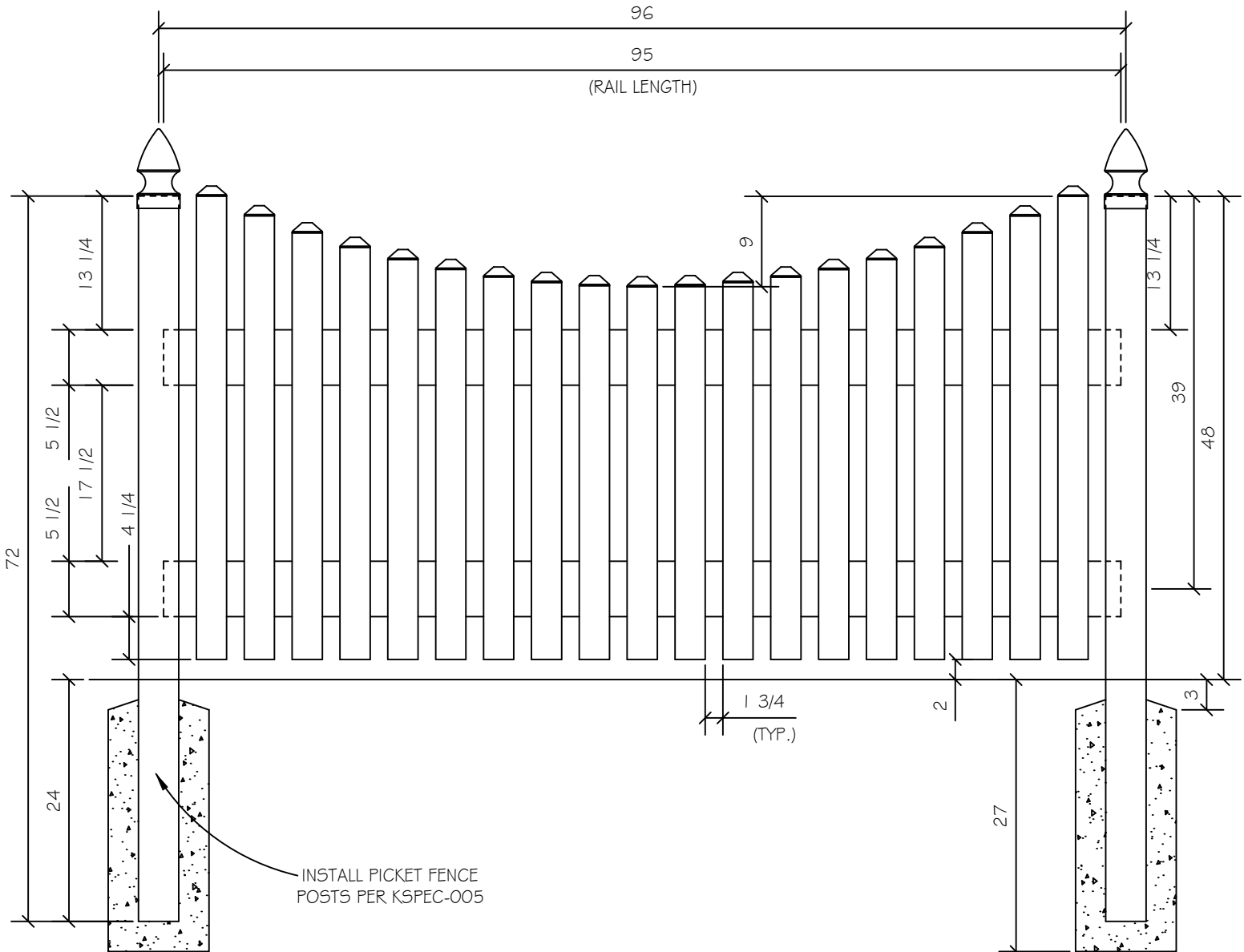


4 ft Scalloped Picket Fence

1 3/4 inch Gap

REQ'D MATERIAL PER 8' SECTION

POST:	PICKET:
(1) 4" X 4" X 72"	(1) 7/8" X 3" X 37"
POST CAP:	(2) 7/8" X 3" X 37 1/8"
(1) 4" X 4" Gothic Cap	(2) 7/8" X 3" X 37 1/2"
RAIL:	(2) 7/8" X 3" X 38"
(2) 1 1/2" X 5 1/2" X 95" Ribbed	(2) 7/8" X 3" X 38 3/4"
PICKET CAP:	(2) 7/8" X 3" X 39 3/4"
(19) 7/8" X 3" Dog Ear Cap	(2) 7/8" X 3" X 40 7/8"
HARDWARE:	(2) 7/8" X 3" X 42 3/8"
(38) 5/8" Cap Plug	(2) 7/8" X 3" X 44"
(38) 3/16" M Balbex Rivet 1/4" Grp	(2) 7/8" X 3" X 46"

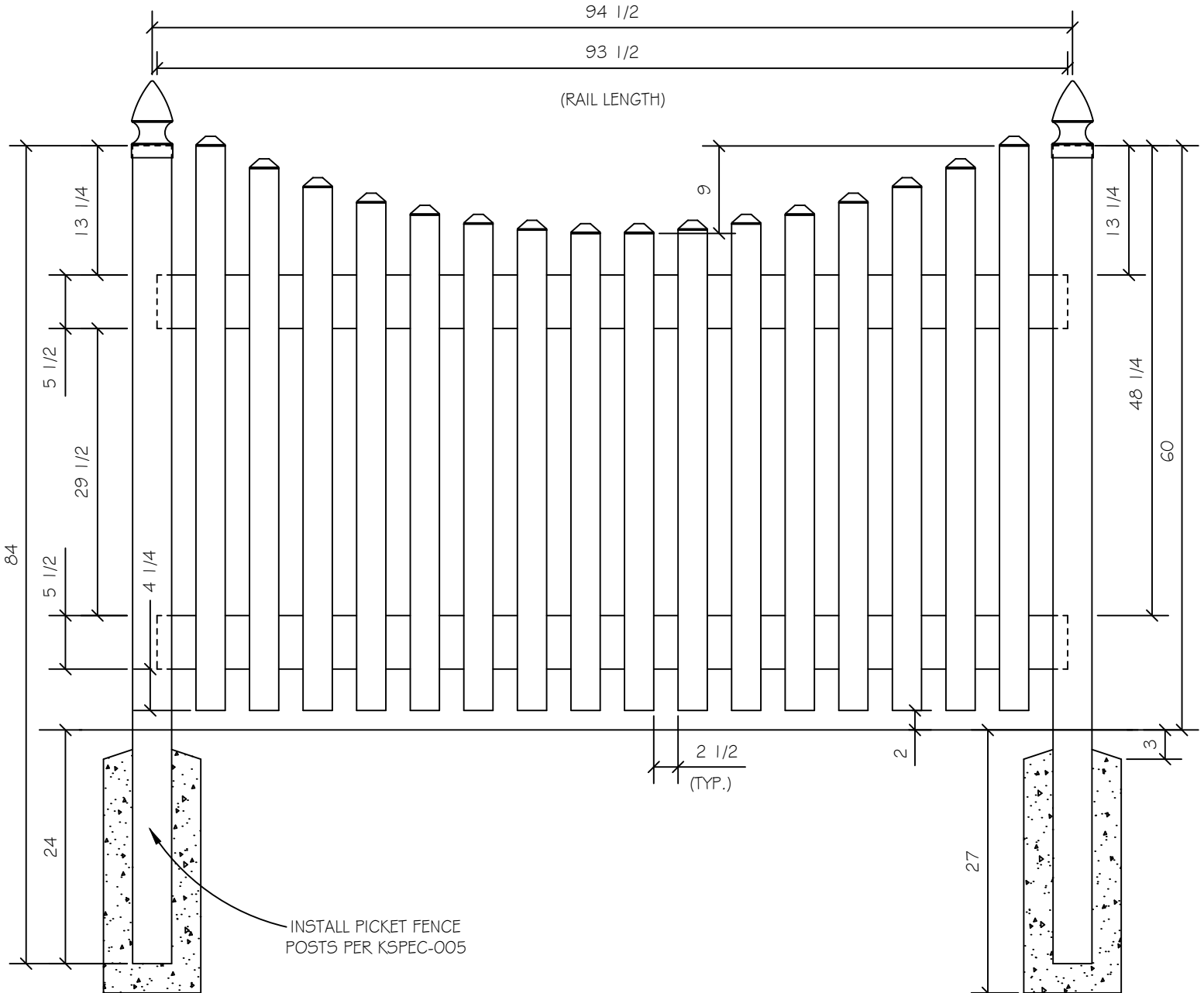


5 ft Scalloped Picket Fence

2 1/2 inch Gap

REQ'D MATERIAL PER 8' SECTION

- | | |
|--------------------------------------|-------------------------|
| POST: | PICKET: |
| (1) 4" X 4" X 84" | (2) 7/8" X 3" X 49" |
| POST CAP: | (2) 7/8" X 3" X 49 5/8" |
| (1) 4" X 4" Gothic Cap | (2) 7/8" X 3" X 50" |
| RAIL: | (2) 7/8" X 3" X 50 7/8" |
| (2) 1 1/2" X 5 1/2" X 93 1/2" Ribbed | (2) 7/8" X 3" X 52 1/8" |
| PICKET CAP: | (2) 7/8" X 3" X 53 3/4" |
| (1) 6) 7/8" X 3" Dog Ear Cap | (2) 7/8" X 3" X 55 3/4" |
| HARDWARE: | (2) 7/8" X 3" X 58" |
| (32) 5/8" Cap Plug | |
| (32) 3/16" M Balbex Rivet 1/4" Grp | |



5 ft Scalloped Picket Fence

1 3/4 inch Gap

REQ'D MATERIAL PER 8' SECTION

POST:

(1) 4" X 4" X 84"

POST CAP:

(1) 4" X 4" Gothic Cap

RAIL:

(2) 1 1/2" X 5 1/2" X 95" Ribbed

PICKET CAP:

(19) 7/8" X 3" Dog Ear Cap

HARDWARE:

(38) 5/8" Cap Plug

(38) 3/16" M Balbex Rivet 1/4" Grp

PICKET:

(1) 7/8" X 3" X 49"

(2) 7/8" X 3" X 49 1/8"

(2) 7/8" X 3" X 50 1/2"

(2) 7/8" X 3" X 50"

(2) 7/8" X 3" X 50 3/4"

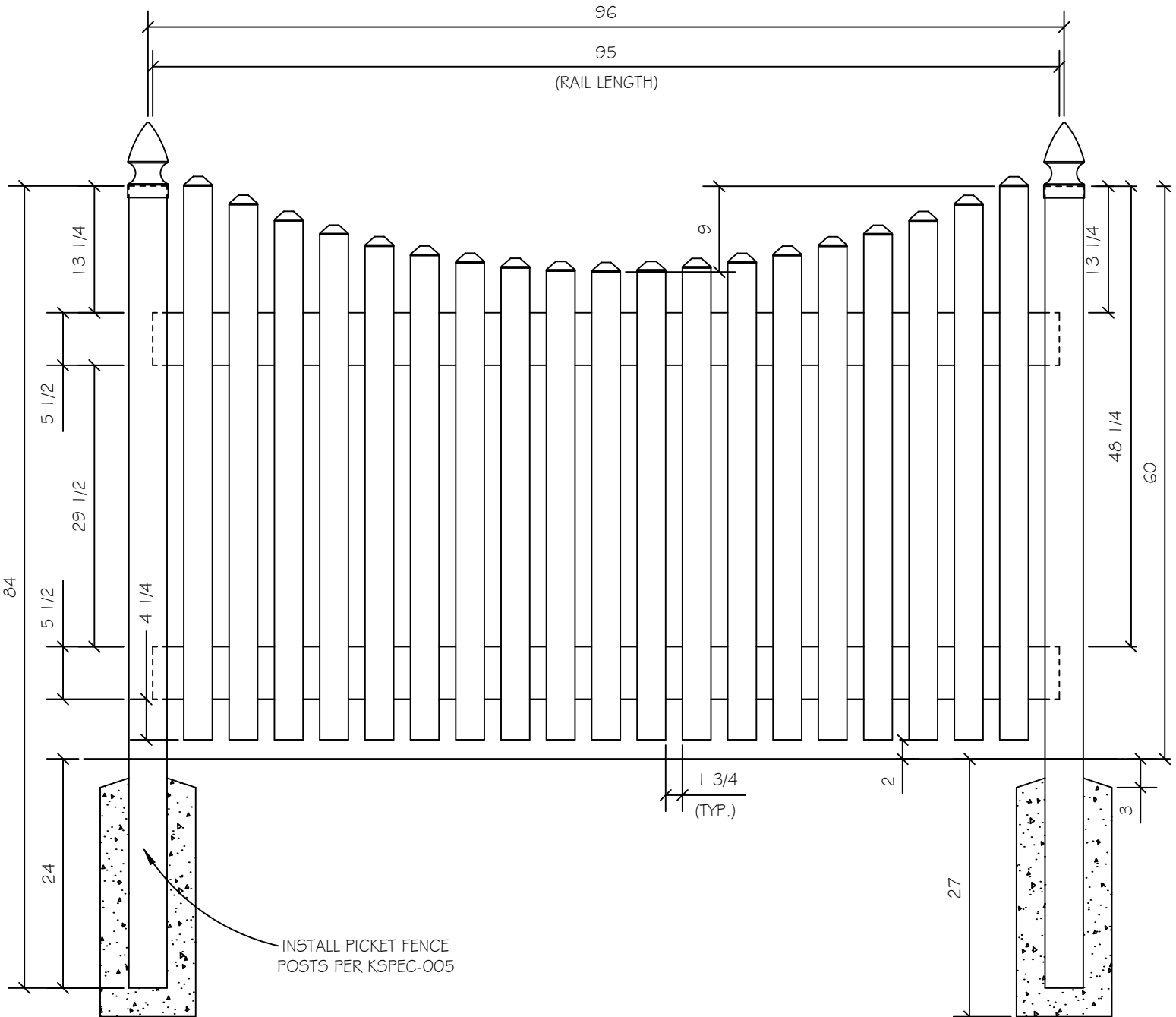
(2) 7/8" X 3" X 51 3/4"

(2) 7/8" X 3" X 52 7/8"

(2) 7/8" X 3" X 54 3/8"

(2) 7/8" X 3" X 56"

(2) 7/8" X 3" X 58"



INSTALL PICKET FENCE POSTS PER KSPEC-005

3 ft Straight Routed Picket Fence

3 inch Gap

REQ'D MATERIAL PER 6' SECTION

POST:

(1) 4" X 4" X 60"

PICKET:

(11) 7/8" X 3" X 31 7/8"

POST CAP:

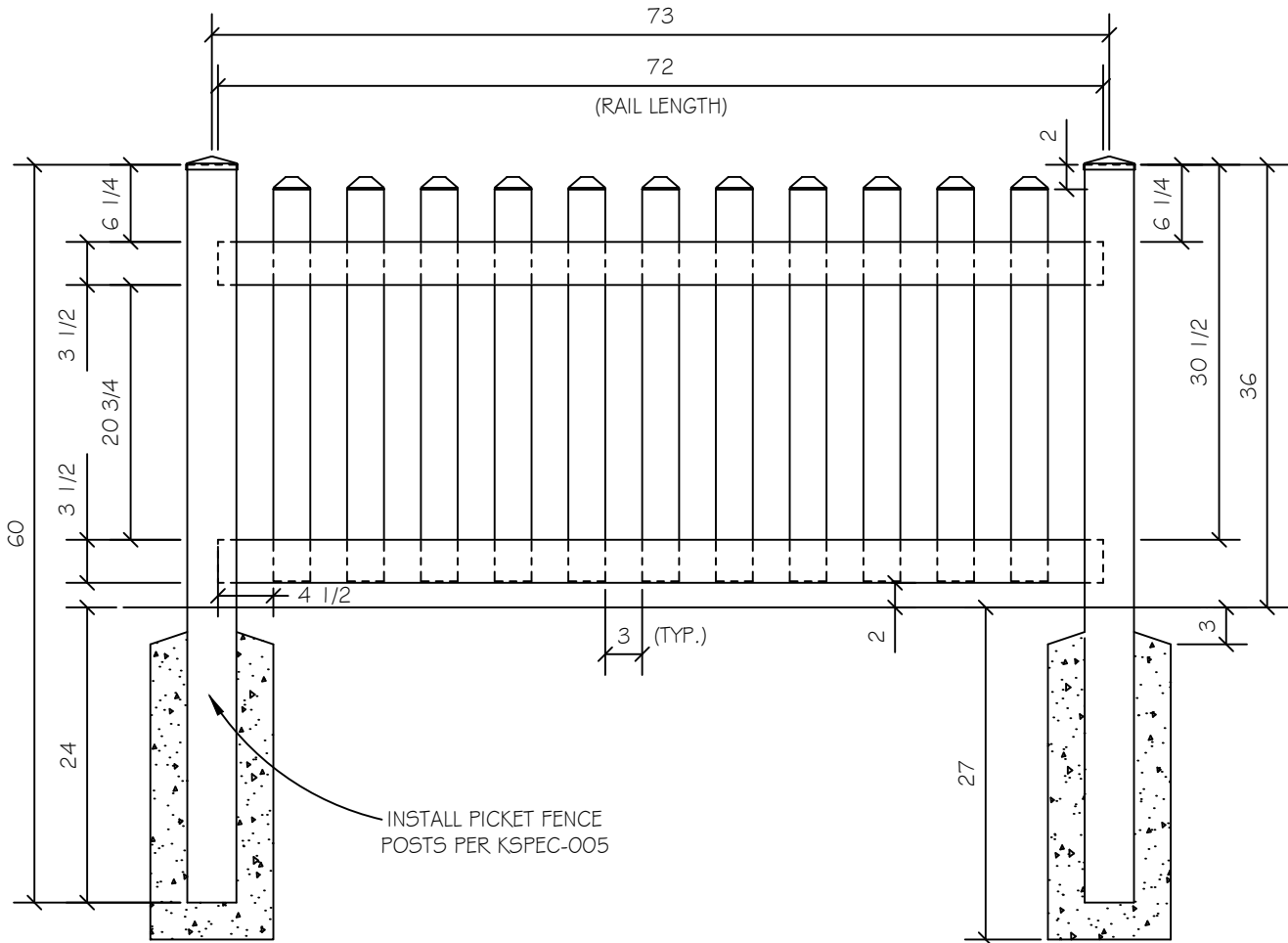
(1) 4" X 4" Decorative Cap

PICKET CAP:

(11) 7/8" X 3" Dog Ear Cap

RAIL:

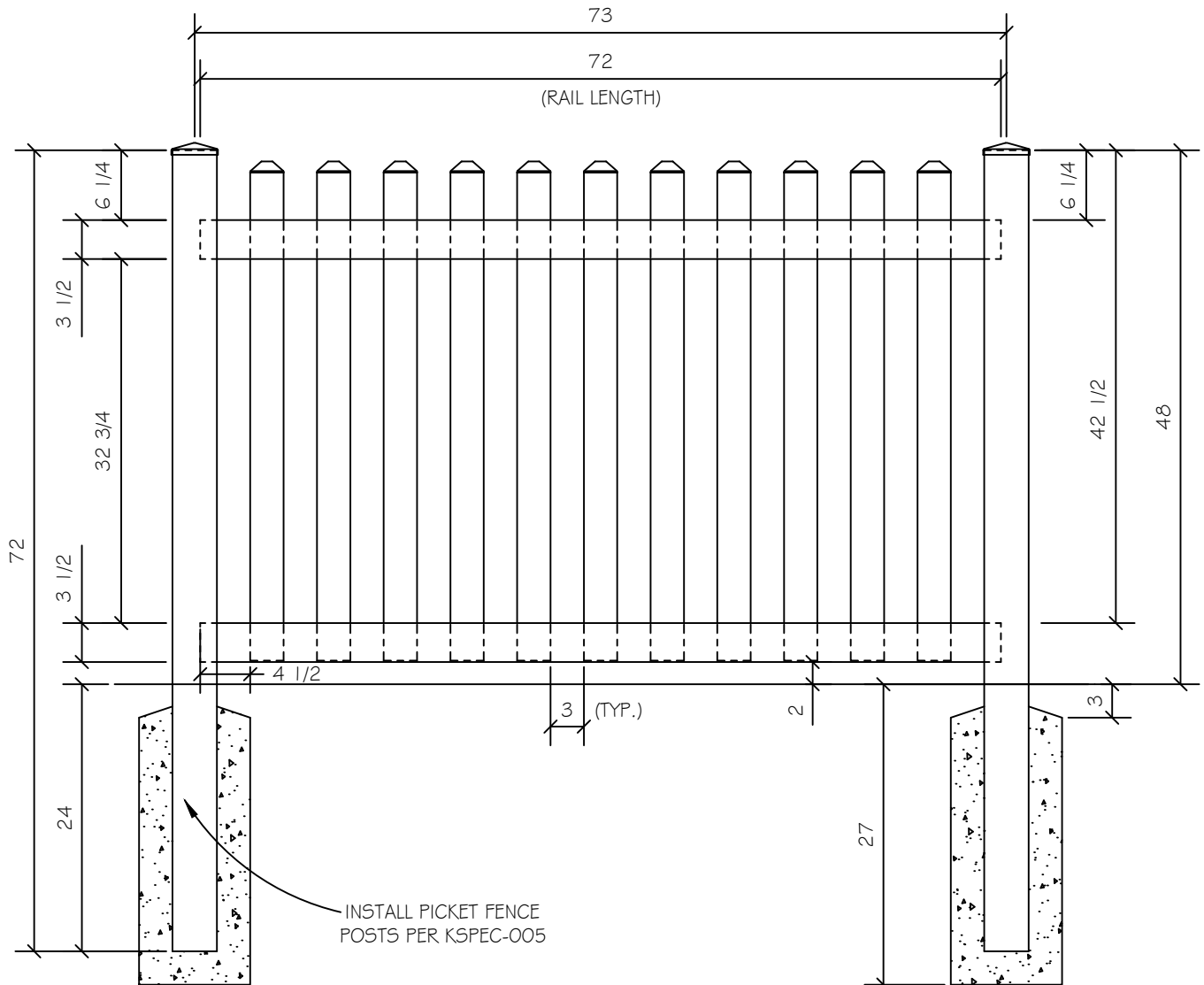
(2) 2" X 3 1/2" X 72" Open RW



4 ft Straight Routed Picket Fence 3 inch Gap

REQ'D MATERIAL PER 6' SECTION

- | | |
|---|---|
| POST:
(1) 4" X 4" X 72" | PICKET:
(11) 7/8" X 3" X 43 7/8" |
| POST CAP:
(1) 4" X 4" Decorative Cap | PICKET CAP:
(11) 7/8" X 3" Dog Ear Cap |
| RAIL:
(2) 2" X 3 1/2" X 72" Open RW | |



3 ft Closed Picket Fence

3 inch Gap

REQ'D MATERIAL PER 6' SECTION

POST:

(1) 4" X 4" X 60"

POST CAP:

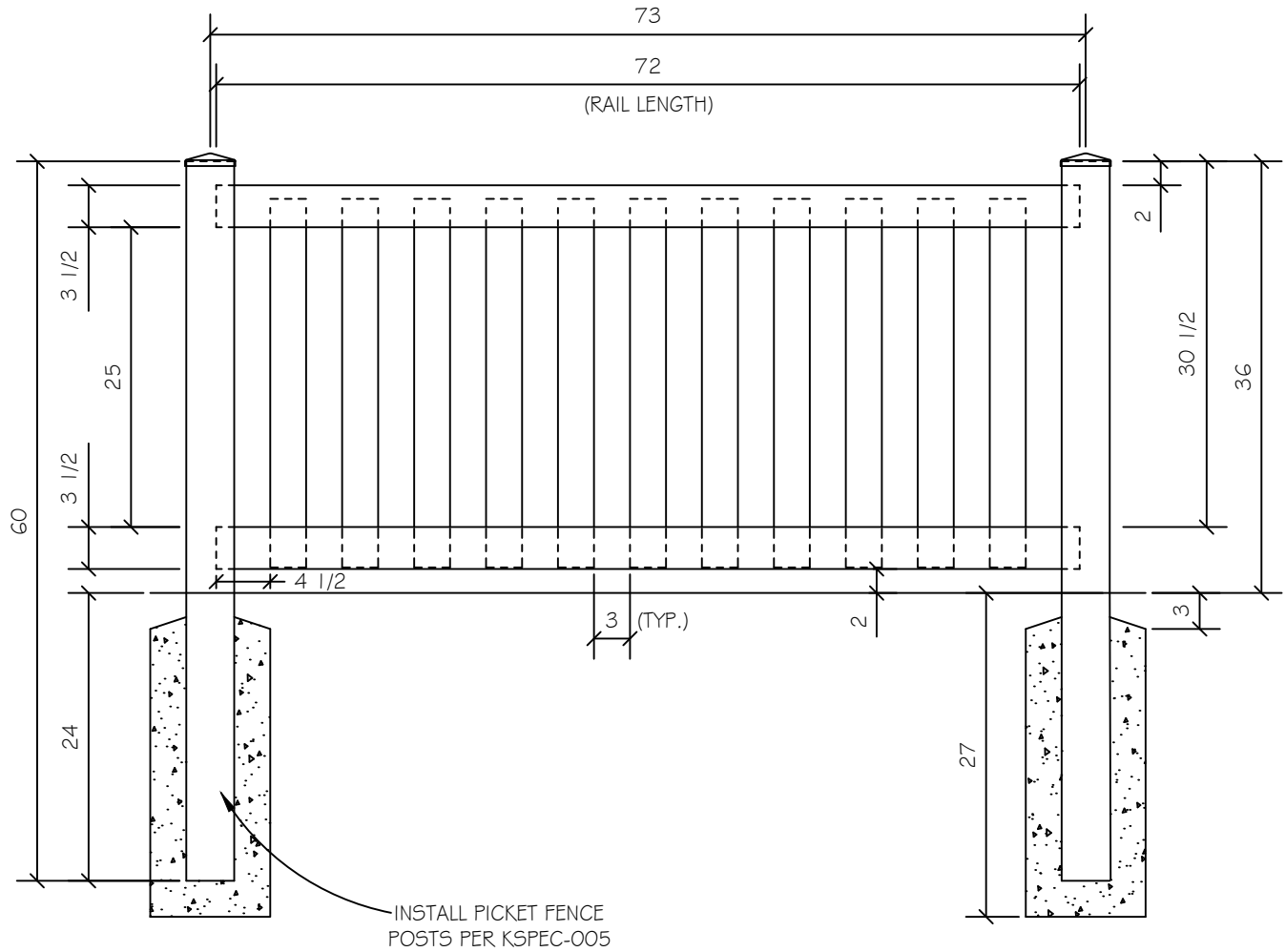
(1) 4" X 4" Decorative Cap

RAIL:

(2) 2" X 3 1/2" X 72" Open RW

PICKET:

(11) 7/8" X 3" X 30 3/4"



4 ft Closed Picket Fence

3 inch Gap

REQ'D MATERIAL PER 6' SECTION

POST:

(1) 4" X 4" X 72"

POST CAP:

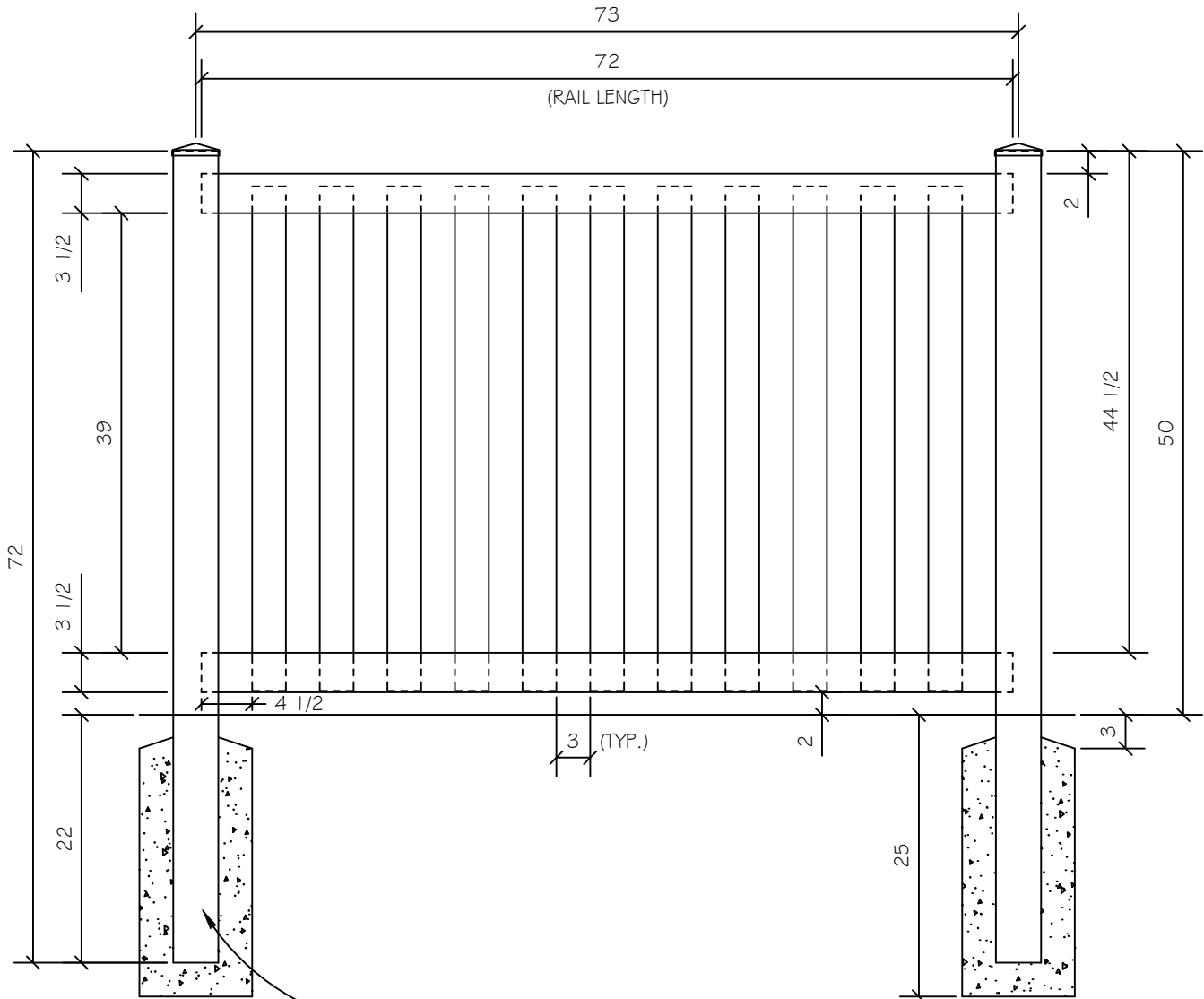
(1) 4" X 4" Decorative Cap

RAIL:

(2) 2" X 3 1/2" X 72" Open RW

PICKET:

(11) 7/8" X 3" X 44 3/4"



INSTALL PICKET FENCE POSTS PER KSPEC-005

5 ft 3-Rail Ranch

REQ'D MATERIAL PER 16' SECTION

POST:

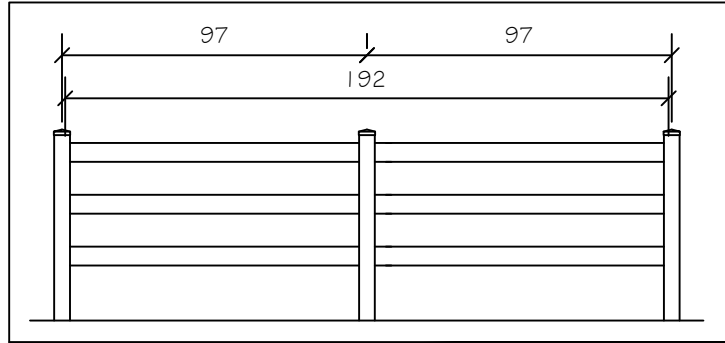
(2) 5" X 5" X 84"

POST CAP:

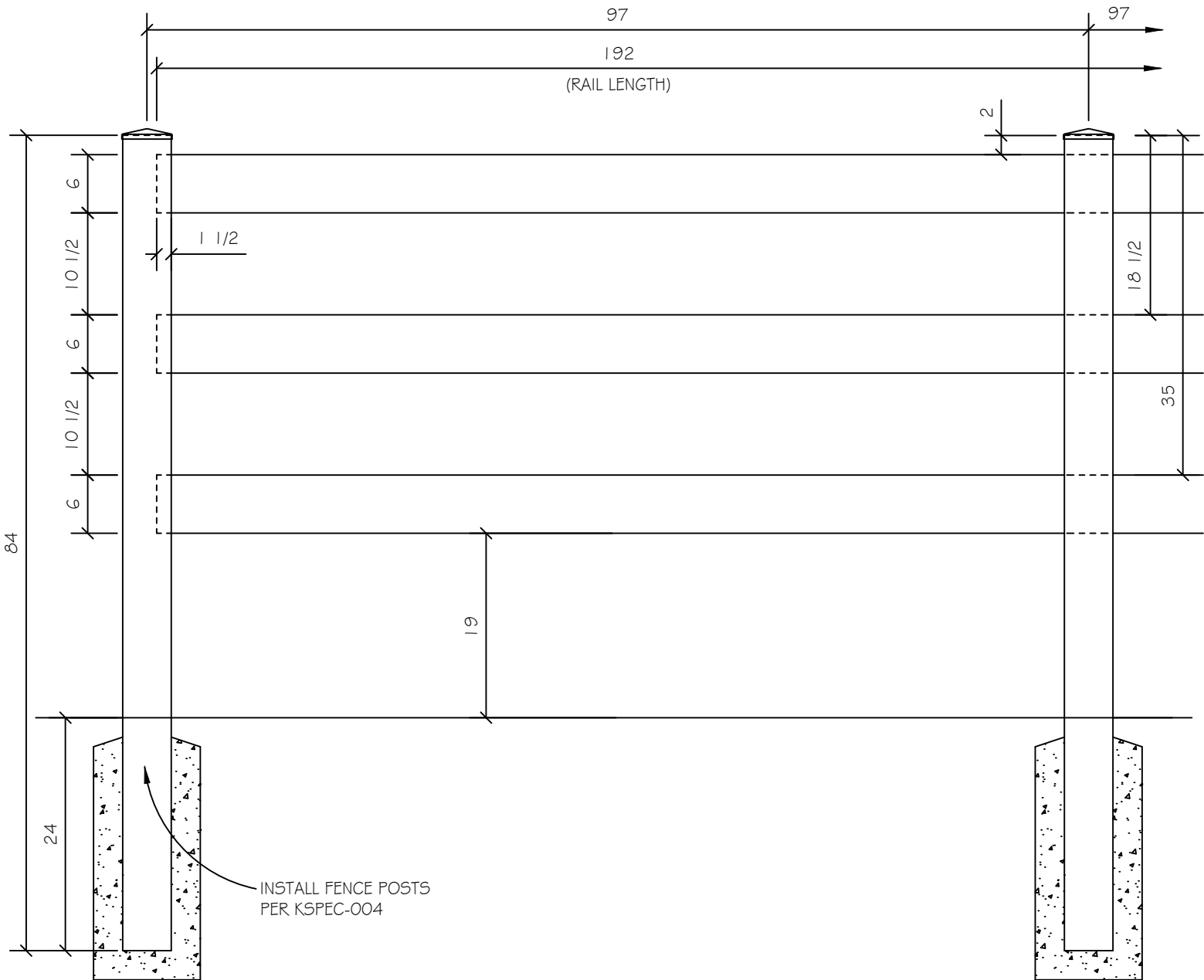
(2) 5" X 5" External Long Cap

RAIL:

(3) 2" X 6" X 192" Open



NOTE: STAGGER JOINTS OF RAILS IN EVERY OTHER POST



5 ft 4-Rail Ranch

REQ'D MATERIAL PER 16' SECTION

POST:

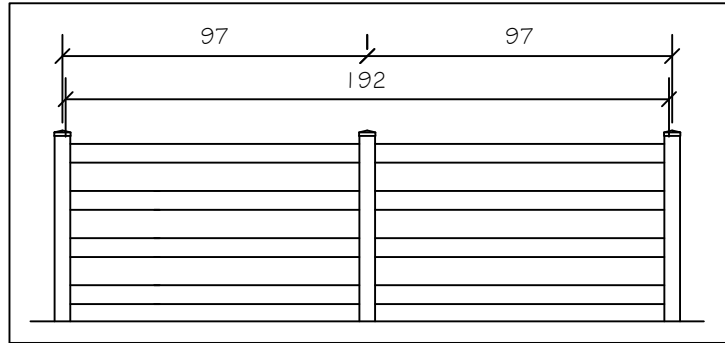
(2) 5" X 5" X 84"

POST CAP:

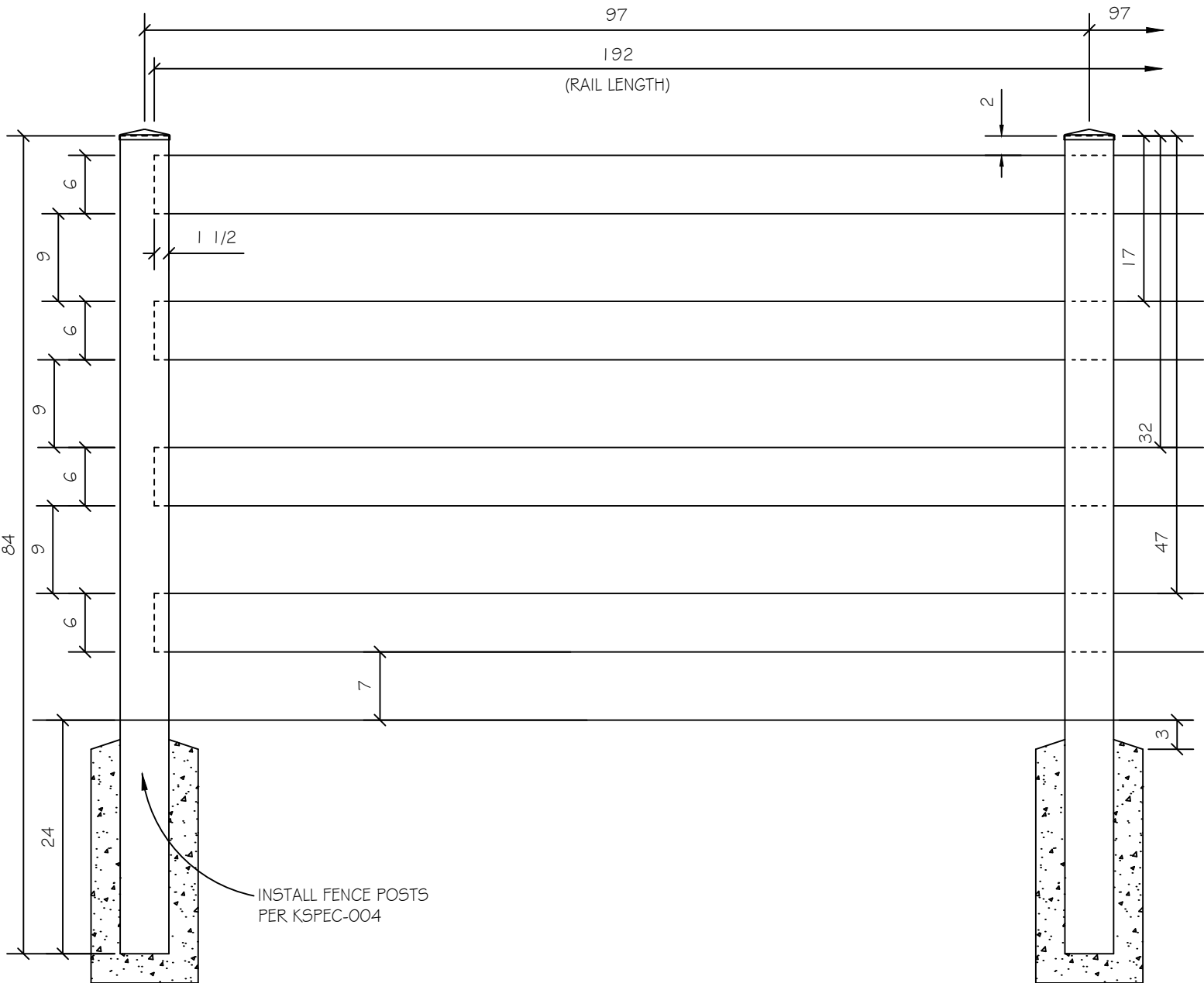
(2) 5" X 5" External Long Cap

RAIL:

(4) 2" X 6" X 192" Open



NOTE: STAGGER JOINTS OF RAILS IN EVERY OTHER POST

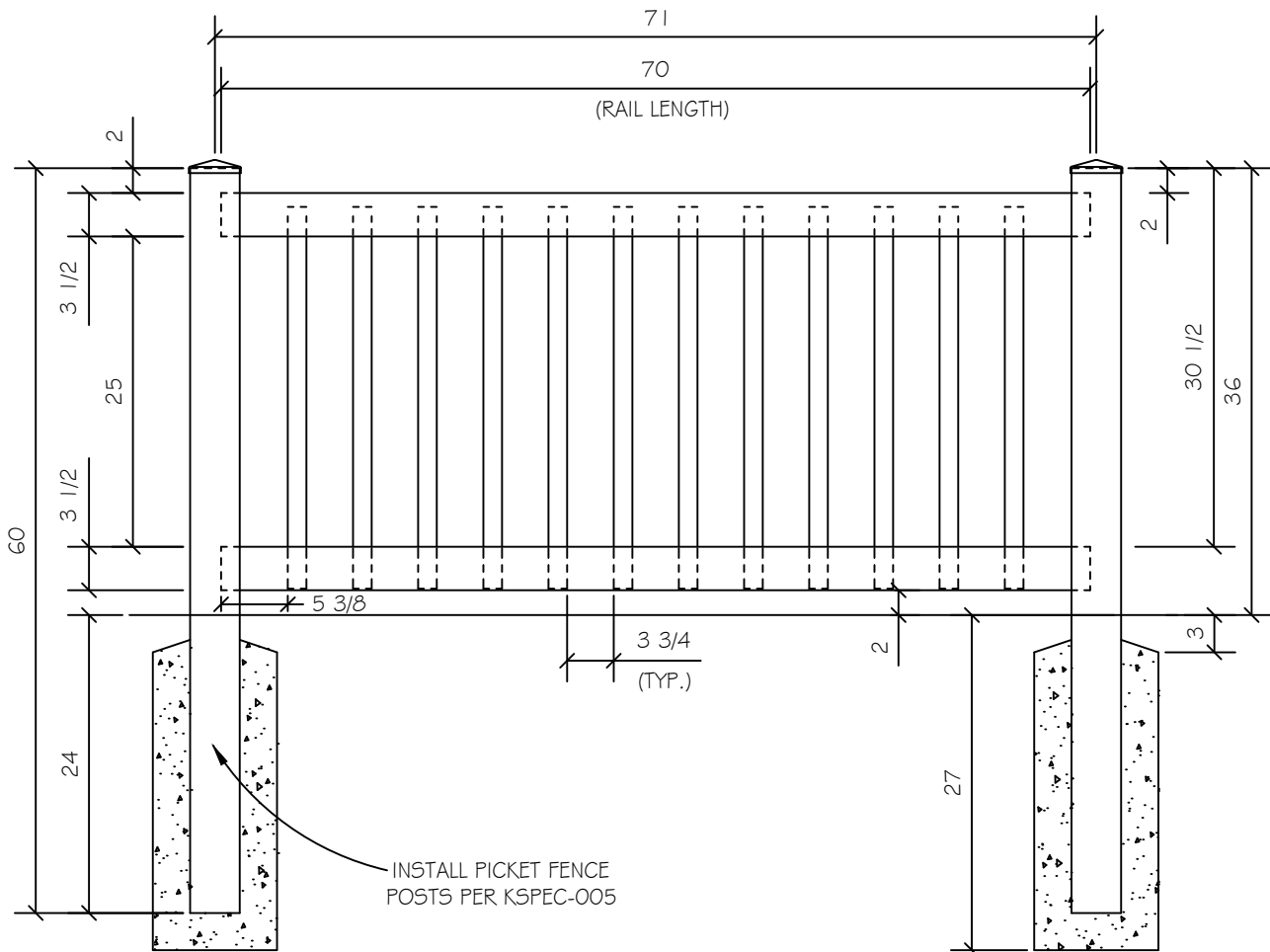


3 ft Closed Picket Fence

3 3/4 inch Gap

REQD MATERIAL PER 6' SECTION

- | | |
|----------------------------|-------------------------------|
| POST: | RAIL: |
| (1) 4" X 4" X 60" | (2) 2" X 3 1/2" X 70" Open RW |
| POST CAP: | PICKET: |
| (1) 4" X 4" Decorative Cap | (12) 7/8" X 2" X 1 1/2" |



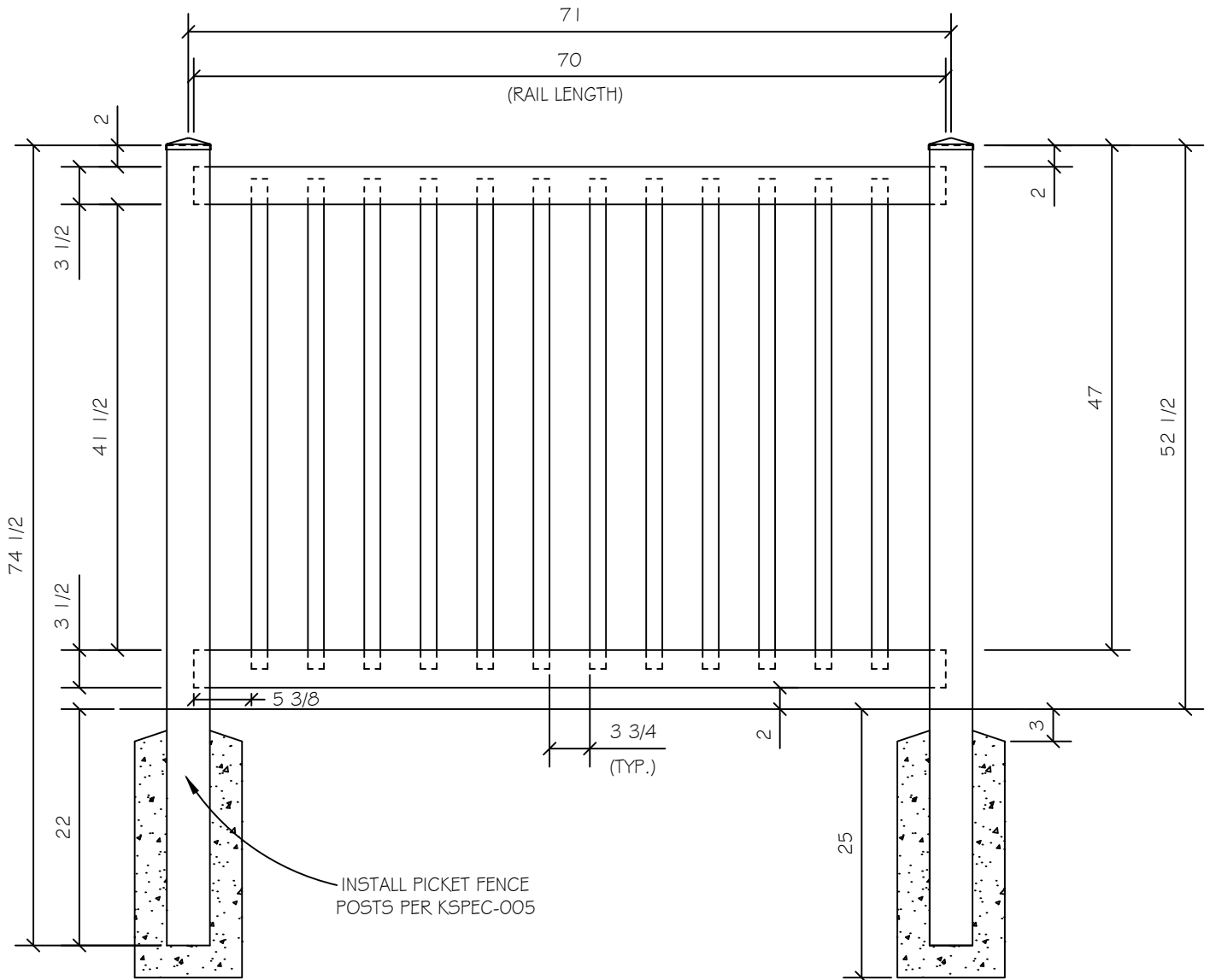
4 ft Closed 1x2 Picket Pool Fence

3 3/4 inch Gap

REQ'D MATERIAL PER 6' SECTION

POST:
 (1) 4" X 4" X 74 1/2"
 POST CAP:
 (1) 4" X 4" Decorative Cap

RAIL:
 (2) 2" X 3 1/2" X 70" Open RW
 PICKET:
 (12) 7/8" X 1 1/2" X 45 1/2"
 INSERT:
 (1) 2 x 3 1/2 x 70 Alum Insrt L BX



MEETS IBC (INTERNATIONAL BUILDING CODE) REQUIREMENTS FOR SWIMMING POOL ENCLOSURES, SECTION 3109, AND IRC (INTERNATIONAL RESIDENTIAL CODE) REQUIREMENTS FOR SWIMMING POOL ENCLOSURES, SECTION AG105. CHECK WITH YOUR LOCAL BUILDING CODE OFFICIALS TO MAKE SURE THEY ACCEPT THESE DIMENSIONAL LIMITATIONS.

5 ft Closed Picket Fence

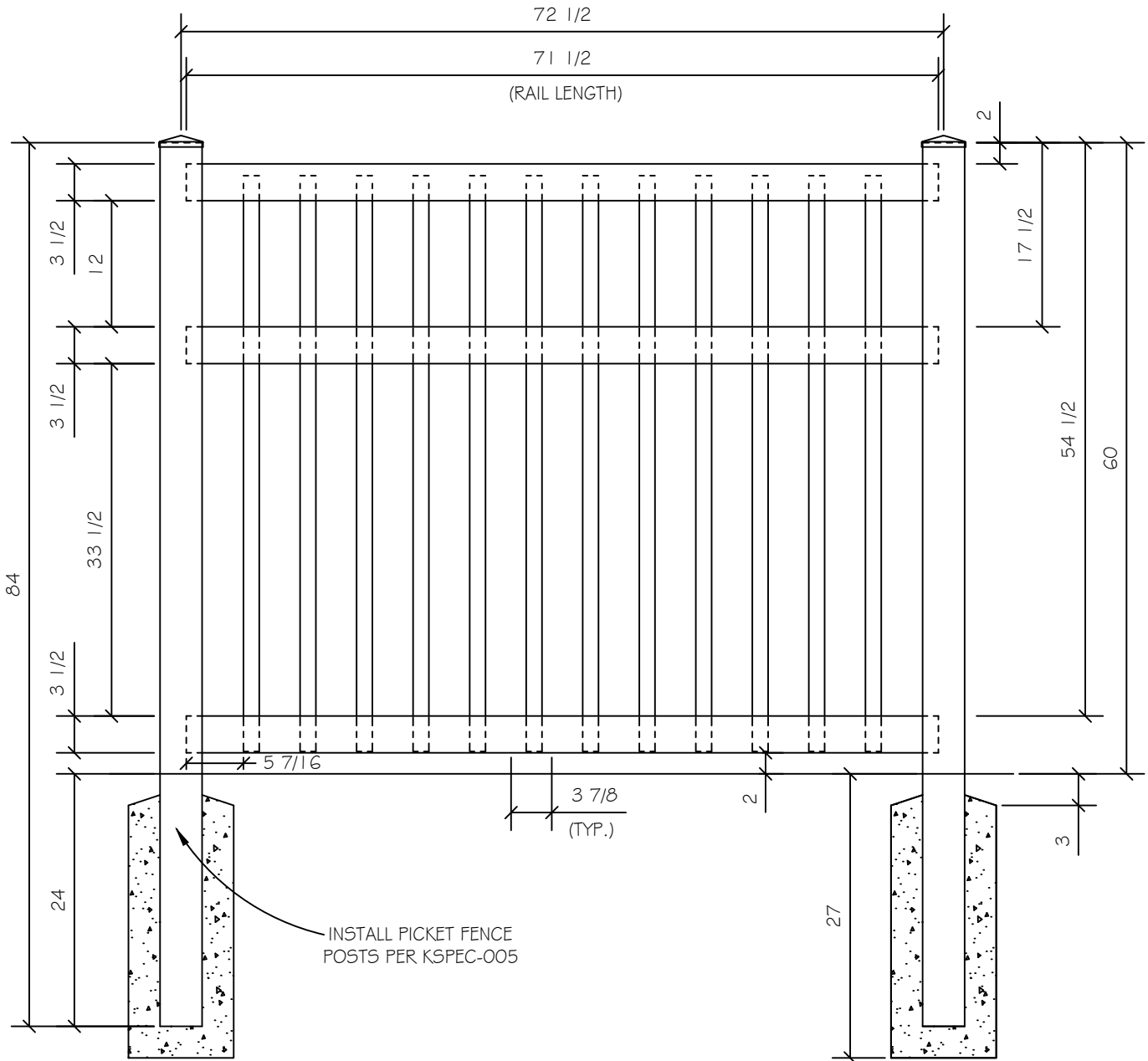
3 7/8 inch Gap

Matches K227 Gate in Section 1

REQ'D MATERIAL PER 6' SECTION

POST:
(1) 4" X 4" X 84"
POST CAP:
(1) 4" X 4" Decorative Cap

RAIL:
(3) 2" X 3 1/2" X 71 1/2" Open RW
PICKET:
(12) 7/8" X 1 1/2" X 54 3/4"



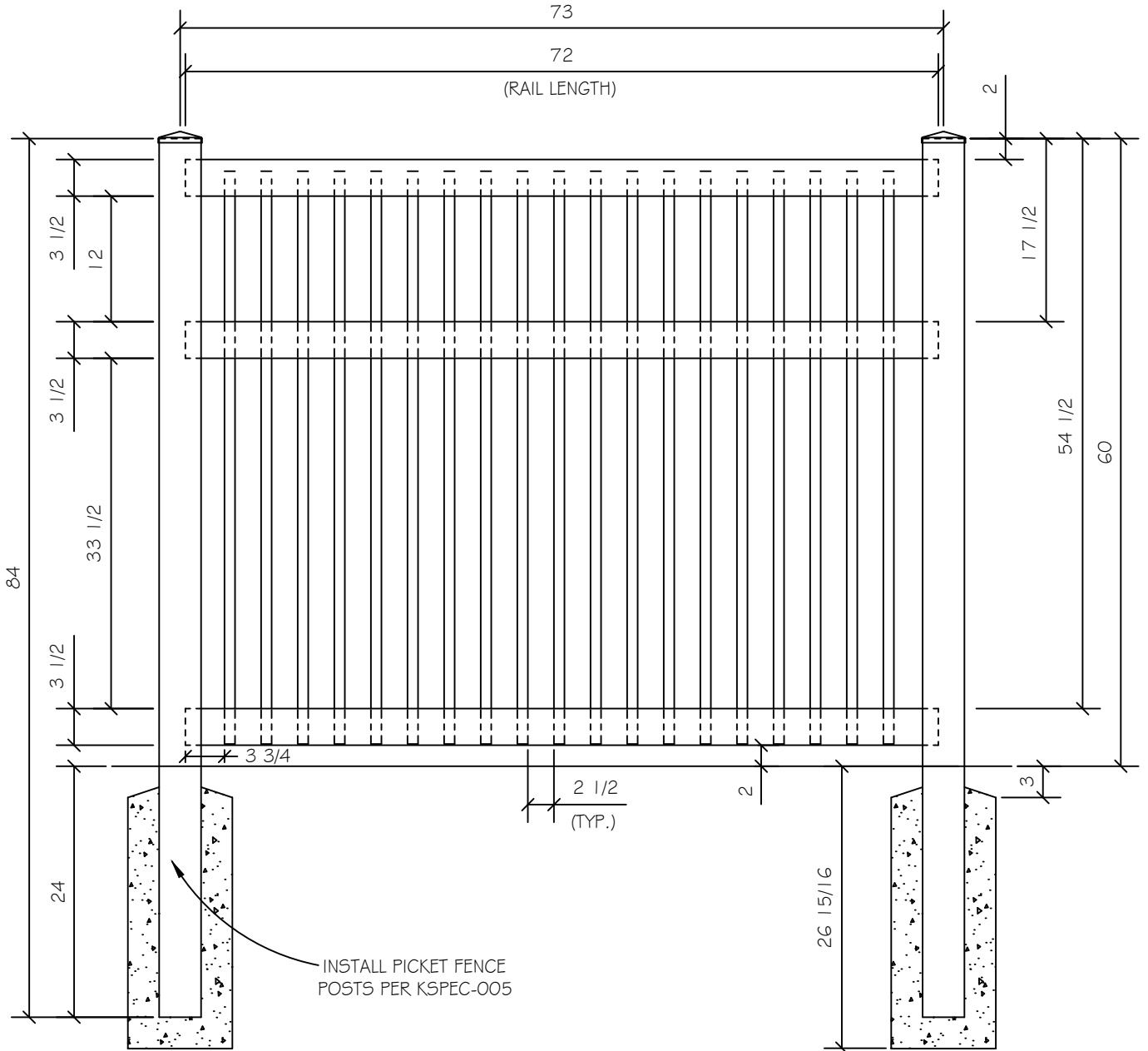
5 ft Closed Picket Fence

2 1/2 inch Gap

REQ'D MATERIAL PER 6' SECTION

POST:
 (1) 4" X 4" X 84"
 POST CAP:
 (1) 4" X 4" Decorative Cap

RAIL:
 (3) 2" X 3 1/2" X 72" Open RW
 PICKET:
 (19) 1" X 1" X 54 3/4"

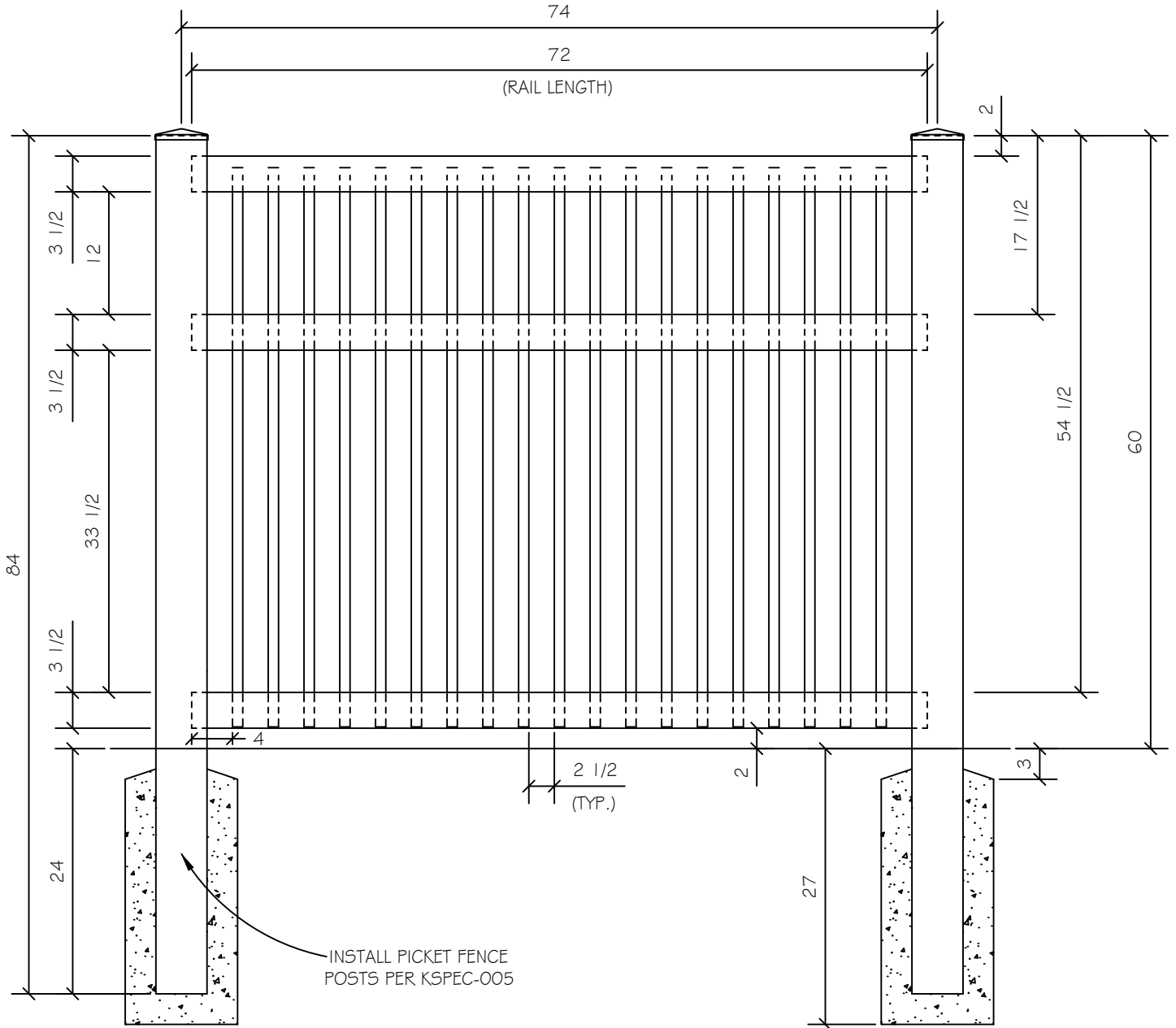


5 ft Closed Picket Fence

2 1/2 inch Gap

REQ'D MATERIAL PER 6' SECTION

- | | |
|-------------------------------|-------------------------------|
| POST: | RAIL: |
| (1) 5" X 5" X 84" | (3) 2" X 3 1/2" X 72" Open RW |
| POST CAP: | PICKET: |
| (1) 5" X 5" External Long Cap | (19) 1" X 1" X 54 3/4" |

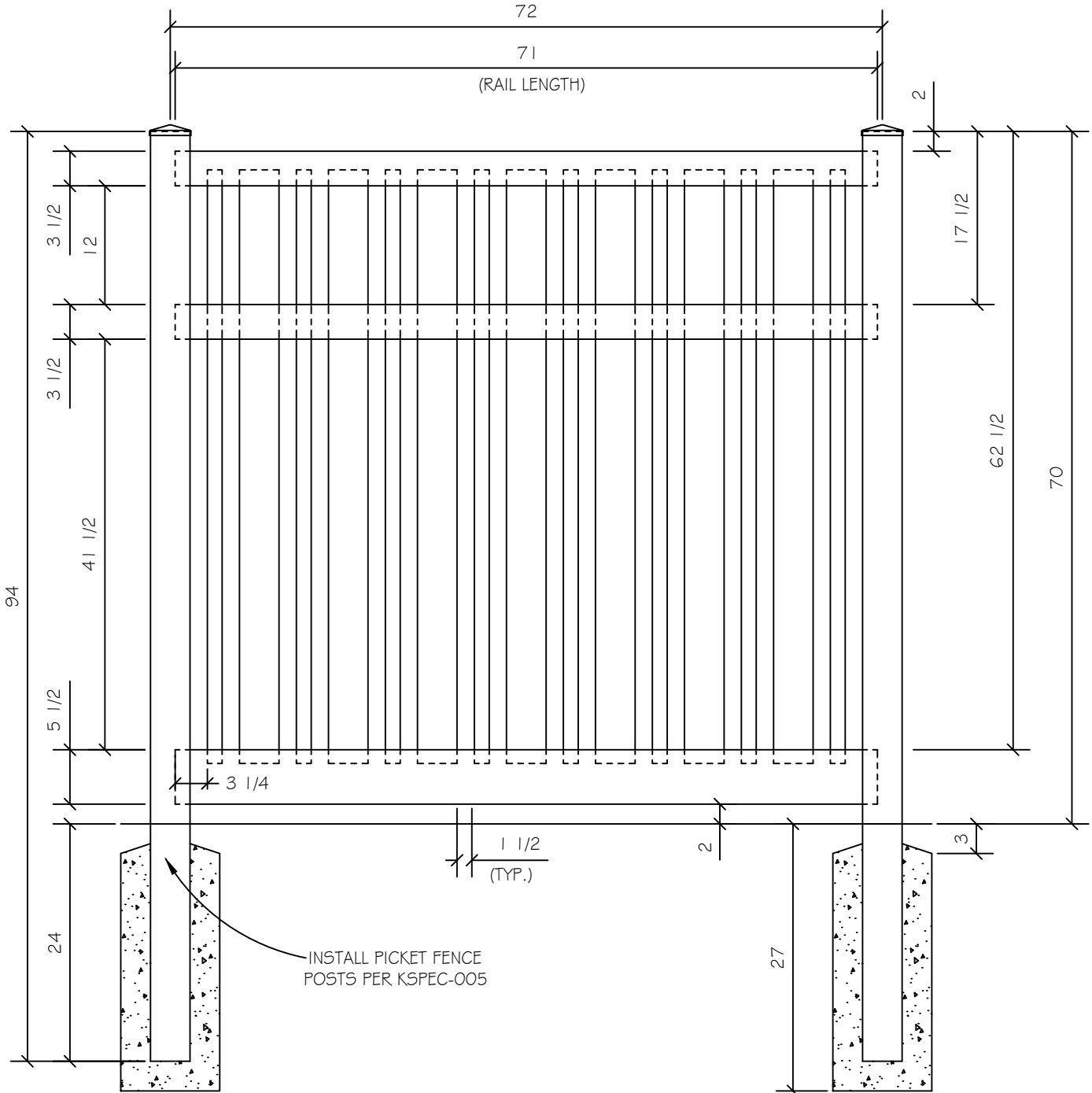


6 ft Alternating Closed Picket Pool Fence

1 1/2 inch Gap

REQ'D MATERIAL PER 6' SECTION

- | | |
|----------------------------|----------------------------------|
| POST: | RAIL: |
| (1) 4" X 4" X 94" | (2) 2" X 3 1/2" X 71" Open RW |
| POST CAP: | (1) 1 1/2" X 5 1/2" X 71" Ribbed |
| (1) 4" X 4" Decorative Cap | PICKET: |
| | (8) 7/8" X 1 1/2" X 60" |
| | (7) 1" X 4" X 60" |



MEETS IBC (INTERNATIONAL BUILDING CODE) REQUIREMENTS FOR SWIMMING POOL ENCLOSURES, SECTION 3109, AND IRC (INTERNATIONAL RESIDENTIAL CODE) REQUIREMENTS FOR SWIMMING POOL ENCLOSURES, SECTION AG105. CHECK WITH YOUR LOCAL BUILDING CODE OFFICIALS TO MAKE SURE THEY ACCEPT THESE DIMENSIONAL LIMITATIONS.

P25C

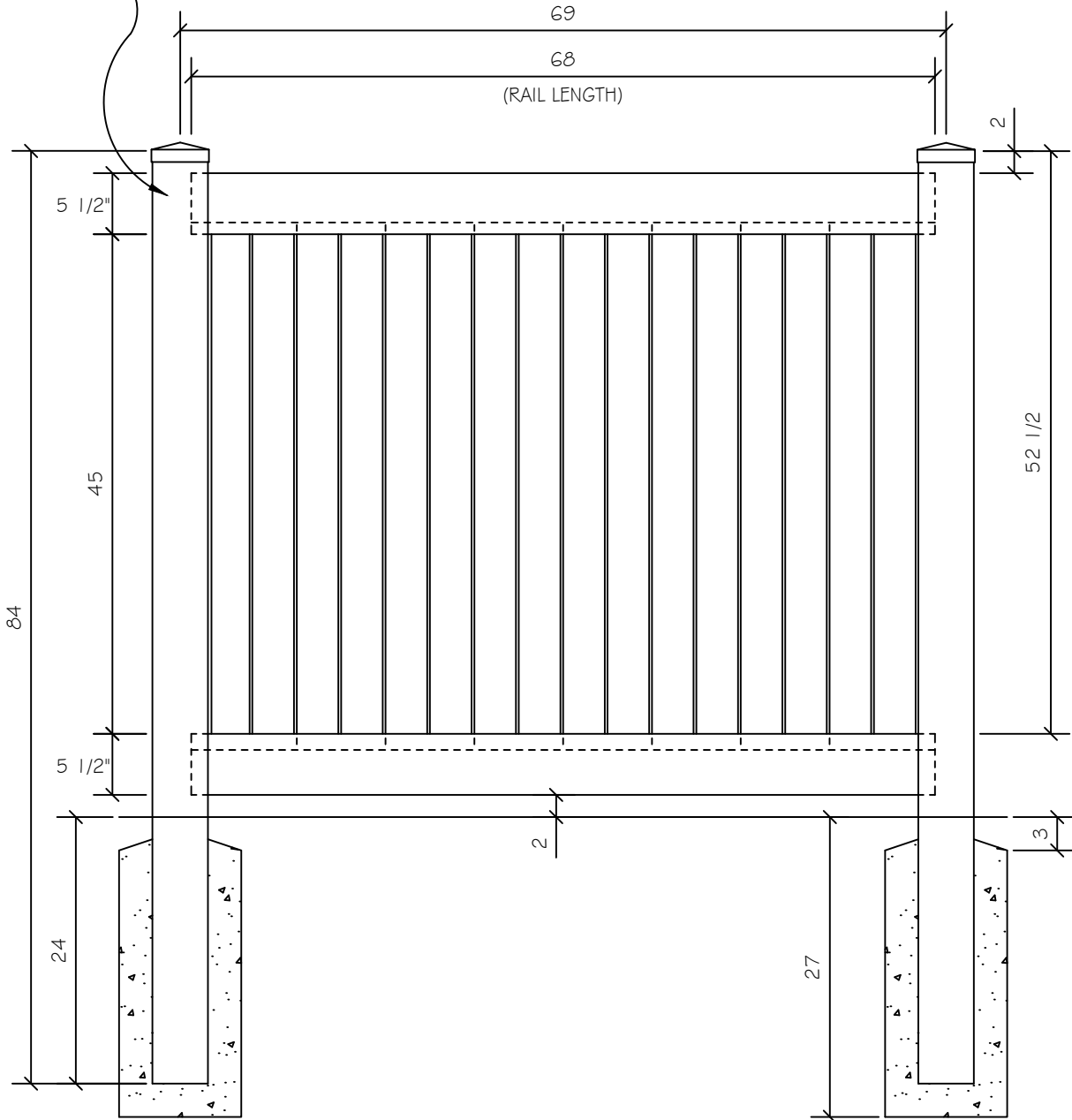
5 ft Privacy Fence

REQ'D MATERIAL PER 6' SECTION

- | | |
|----------------------------------|--|
| POST: | PICKET: |
| (1) 5" X 5" X 84" | (8) 1" X 8" X 47 1/2" T & G |
| POST CAP: | RAIL INSERT: |
| (1) 5" X 5" External Long Cap | (1) 1 1/2" X 5 1/2" X 68" Insert (ALUM.) |
| RAIL: | |
| (2) 1 1/2" X 5 1/2" X 68" Ribbed | |

Insert is not Required on White, Tan or Sandstone fence bottom rails. All other colors greater than 60" must install insert.

INSTALL PRIVACY FENCE POSTS PER KSPEC-004



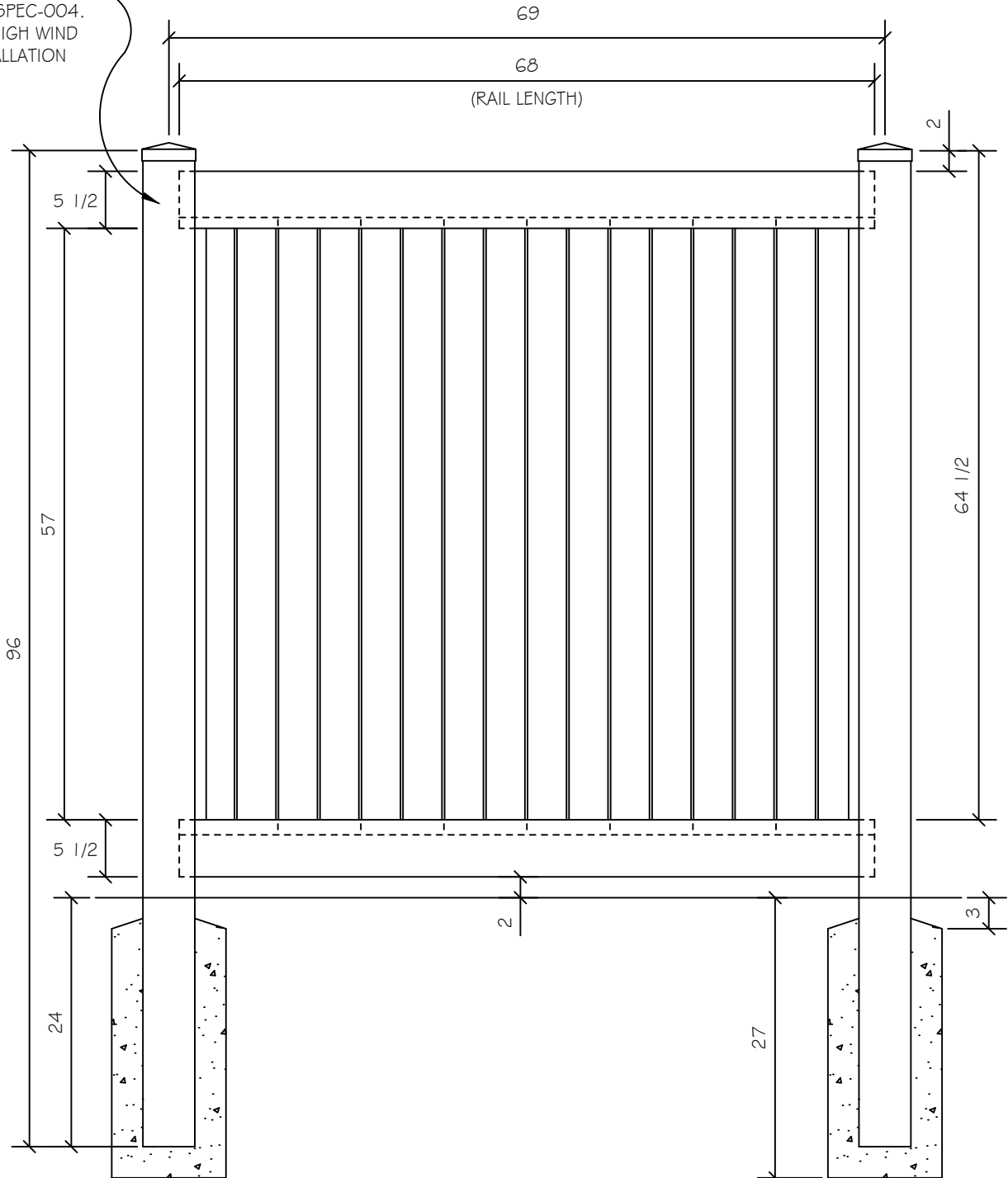
6 ft Privacy Fence

REQ'D MATERIAL PER 6' SECTION

- | | |
|--|---|
| POST:
(1) 5" X 5" X 96" | PICKET:
(8) 1 x 8 x 59 1/2 T&G |
| POST CAP:
(1) 5" X 5" External Long Cap | RAIL INSERT:
(1) 1 1/2 x 5 1/2 x 68 INSERT (ALUM.) |
| RAIL:
(2) 1 1/2 x 5 1/2 x 68 Ribbed | U-CHANNEL:
(2) 1" U-Channel x 56 7/8" |

Insert is not Required on White, Tan or Sandstone fence bottom rails. All other colors greater than 60" must install insert.

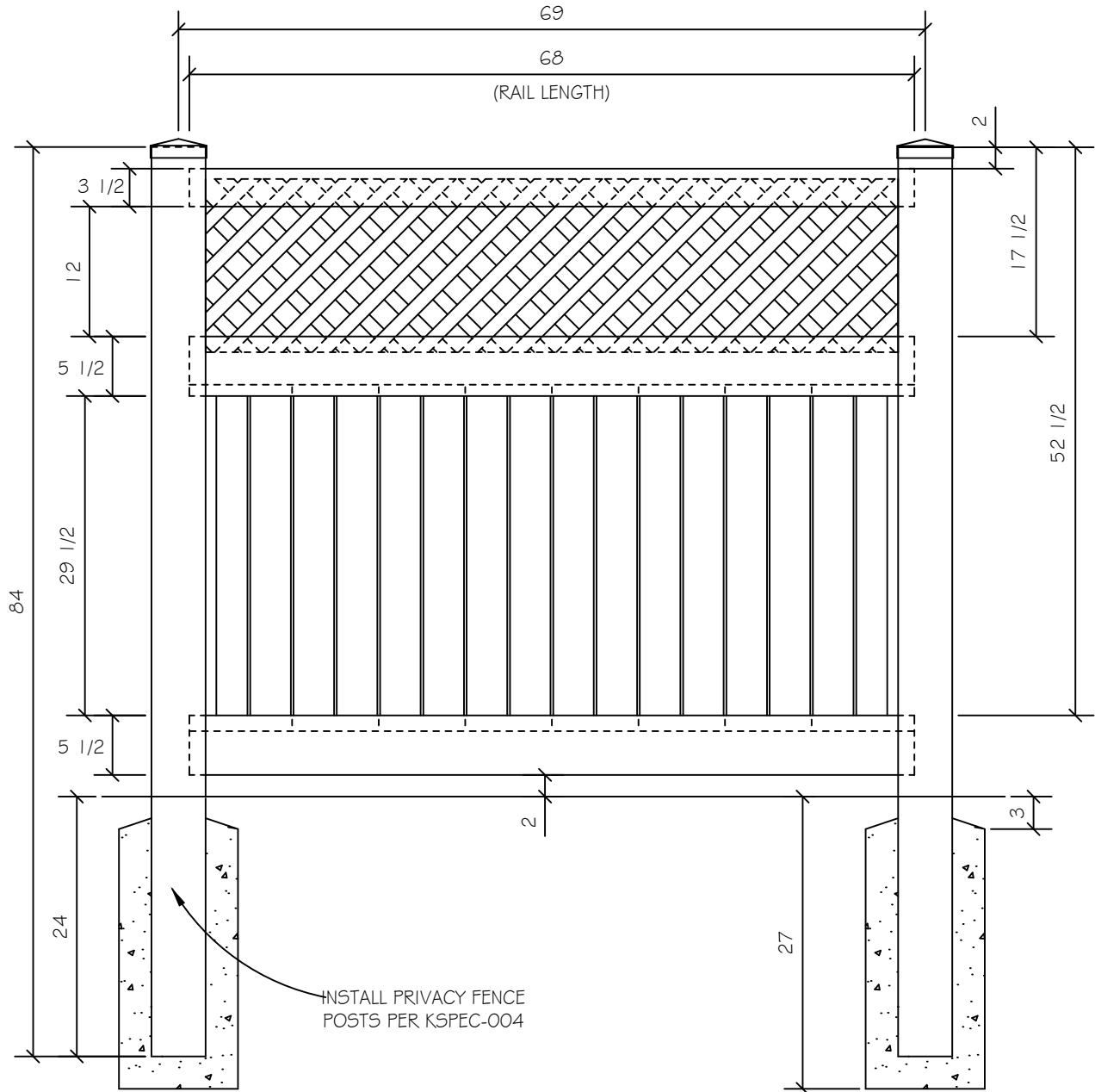
INSTALL PRIVACY FENCE POSTS PER KSPEC-004. REFERENCE HIGH WIND POST INSTALLATION



5 ft Privacy Fence with 12" Lattice Top

REQ'D MATERIAL PER 6' SECTION

- | | |
|---|---|
| POST:
(1) 5" X 5" X 84" | PICKET:
(8) 1 X 8 X 32" T&G |
| POST CAP:
(1) 5" X 5" External Long Cap | U-CHANNEL:
(2) 1" U-Channel X 29 3/8" |
| RAIL:
(2) 1 1/2" X 5 1/2" X 68" Slotted
(1) 2" X 3 1/2" X 68" Open RW | LATTICE:
(1) 16" X 64" Lattice Diamond |

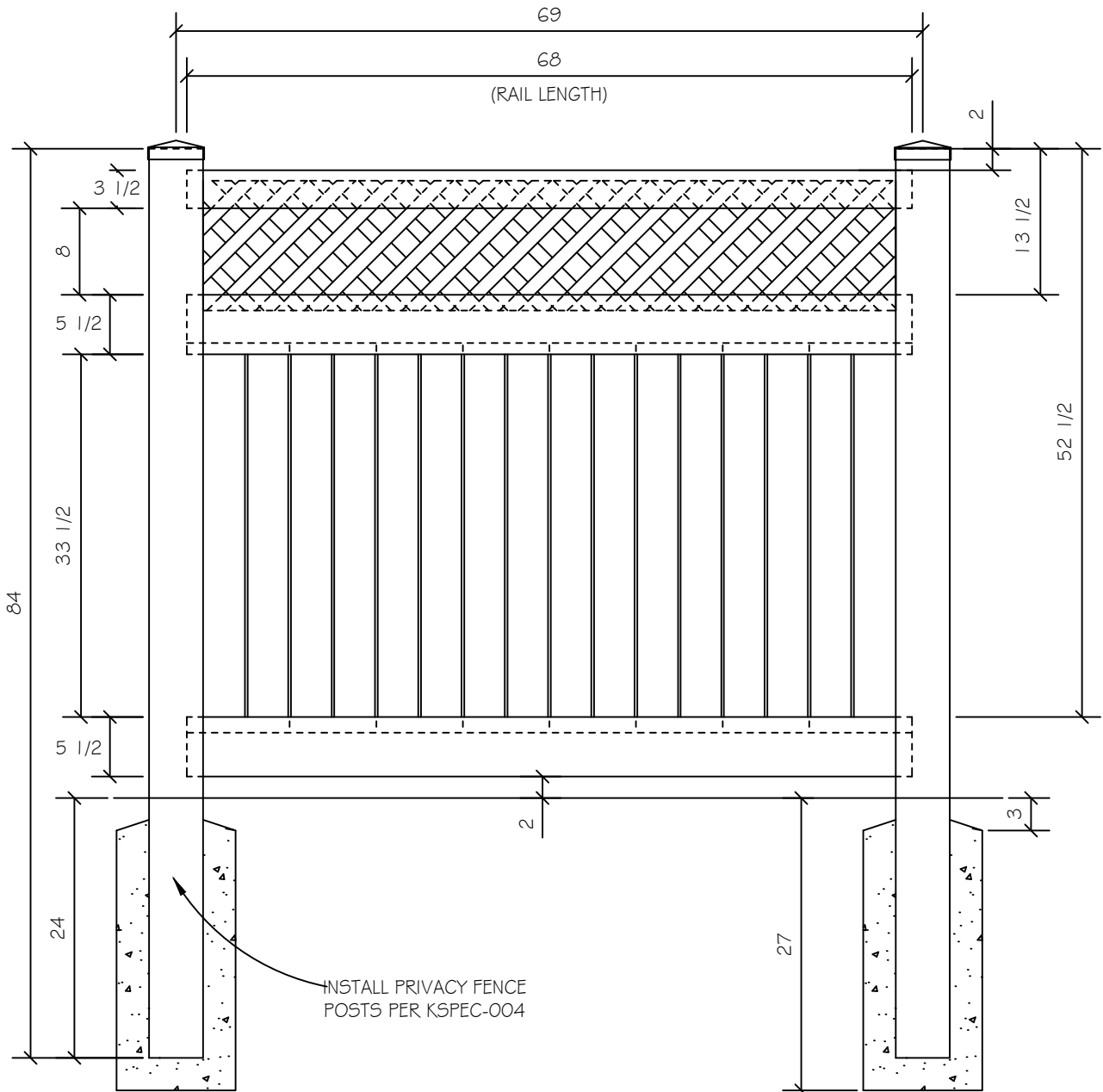


Section 7

5 ft Privacy Fence with 8" Lattice Top

REQ'D MATERIAL PER 6' SECTION

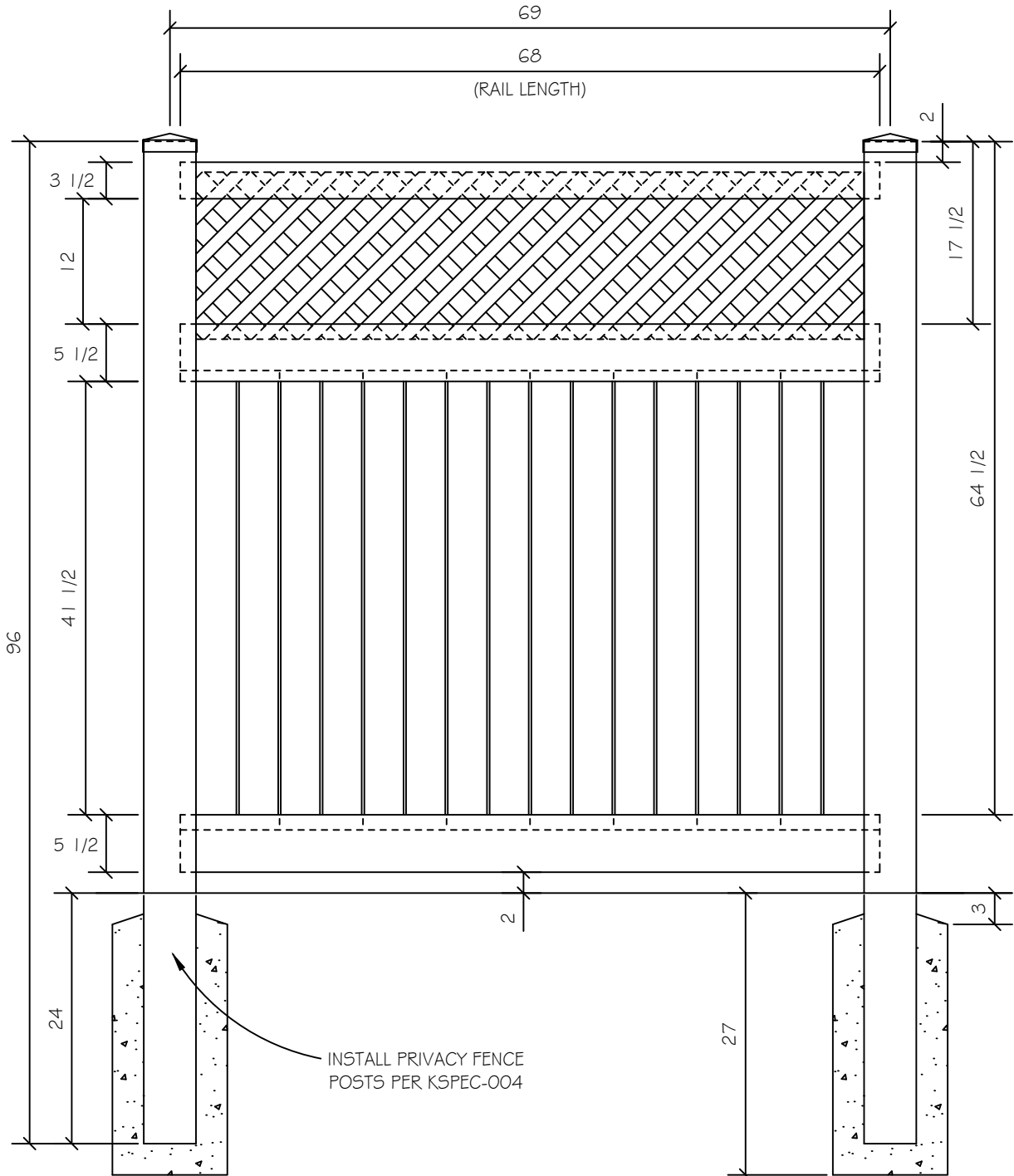
- | | |
|-----------------------------------|-------------------------------|
| POST: | PICKET: |
| (1) 5" X 5" X 84" | (8) 1 X 8 X 36" T#G |
| POST CAP: | U-CHANNEL: |
| (1) 5" X 5" External Long Cap | (2) 1" U-Channel X 33 3/8" |
| RAILS: | LATTICE: |
| (2) 1 1/2" X 5 1/2" X 68" Slotted | (1) 12" X 64" Lattice Diamond |
| (1) 2" X 3 1/2" X 68" Open RW | |



6 ft Privacy Fence with 12" Lattice Top

REQ'D MATERIAL PER 6' SECTION

- | | |
|-----------------------------------|-------------------------------|
| POST: | PICKET: |
| (1) 5" X 5" X 96" | (8) 1" X 8" X 44" T#G |
| POST CAP: | U-CHANNEL: |
| (1) 5" X 5" External Long Cap | (2) 1" U-Channel X 41 3/8" |
| RAIL: | LATTICE: |
| (2) 1 1/2" X 5 1/2" X 68" Slotted | (1) 16" X 64" Lattice Diamond |
| (1) 2" X 3 1/2" X 68" Open RW | |

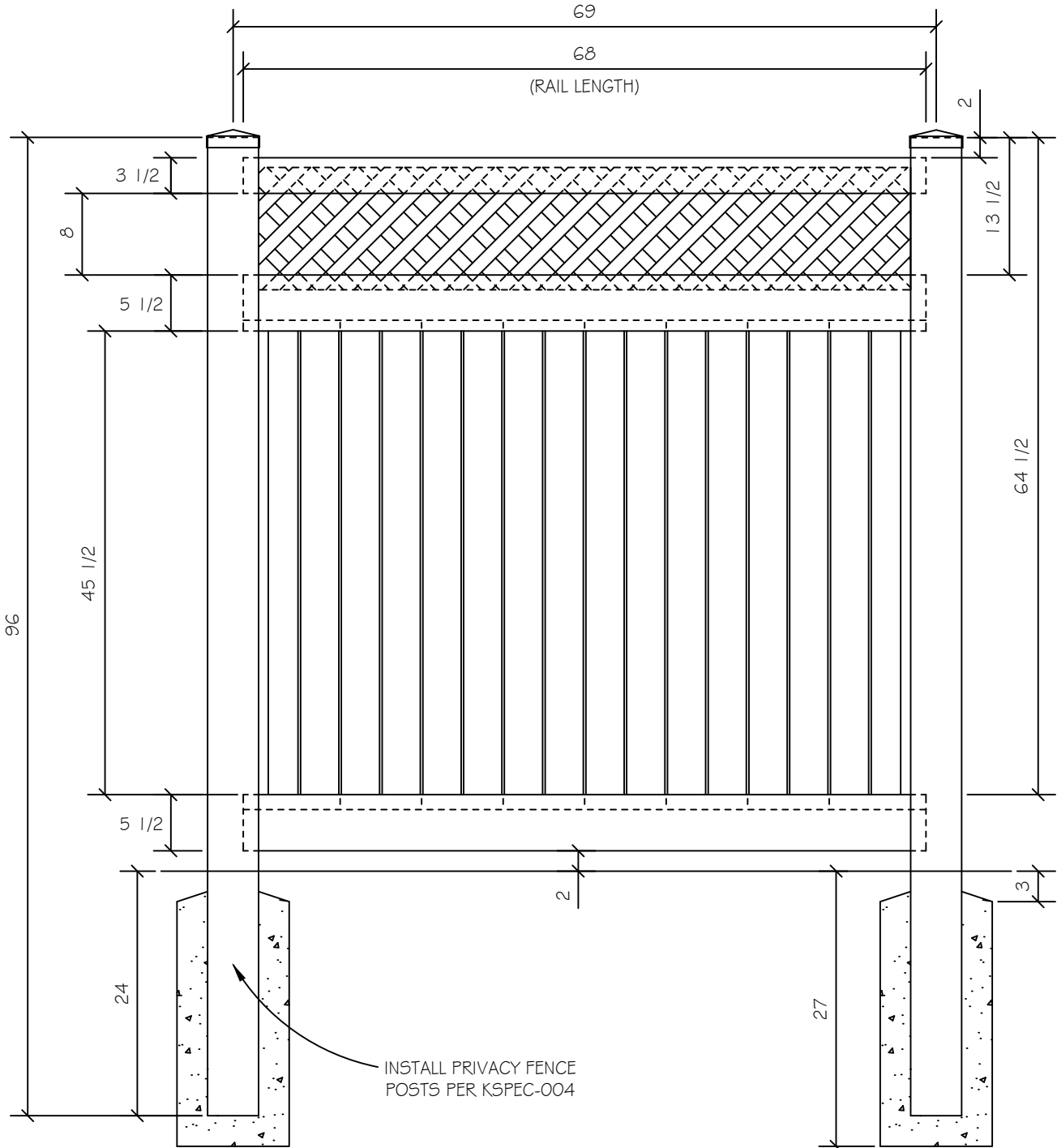


Section 7

6 ft Privacy Fence with 8" Lattice Top

REQ'D MATERIAL PER 6' SECTION

- | | |
|-----------------------------------|-------------------------------|
| POST: | PICKET: |
| (1) 5" X 5" X 96" | (8) 1" X 8" X 48" T#G |
| POST CAP: | U-CHANNEL: |
| (1) 5" X 5" External Long Cap | (2) 1" U-Channel X 45 3/8" |
| RAIL: | LATTICE: |
| (2) 1 1/2" X 5 1/2" X 68" Slotted | (1) 12" X 64" Lattice Diamond |
| (1) 2" X 3 1/2" X 68" Open RW | |



6 ft Privacy Fence with Dual Sunburst

REQ'D MATERIAL PER 6' SECTION

POSTS:

(1) 5" X 5" X 96"

POST CAPS:

(1) 5" X 5" External Long Cap

RAILS:

(2) 1 1/2" X 5 1/2" X 68" Ribbed

(1) 2" X 3 1/2" X 68" Open RW

U-CHANNEL:

(2) 1" U-Channel X 41 3/8"

PICKET:

(8) 1" X 8" x 44 T#G

(1) 1 3/8" X 1 3/8" X 15"

SUN BURST PATTERN

(4) 1" X 1" X 12"

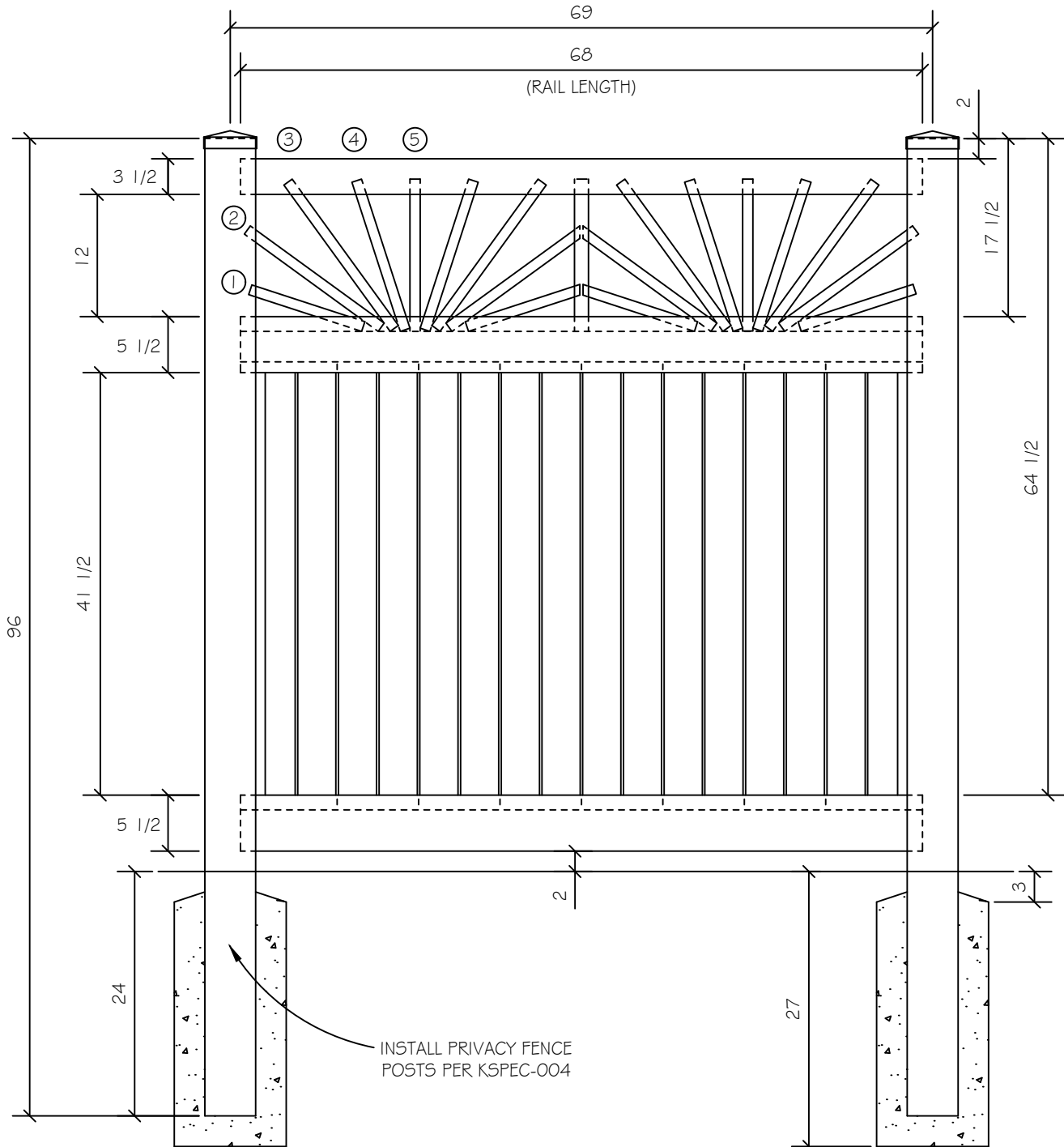
(4) 1" X 1" X 16 1/4"

(4) 1" X 1" X 17 3/4"

(4) 1" X 1" X 15 3/8"

(2) 1" X 1" X 15"

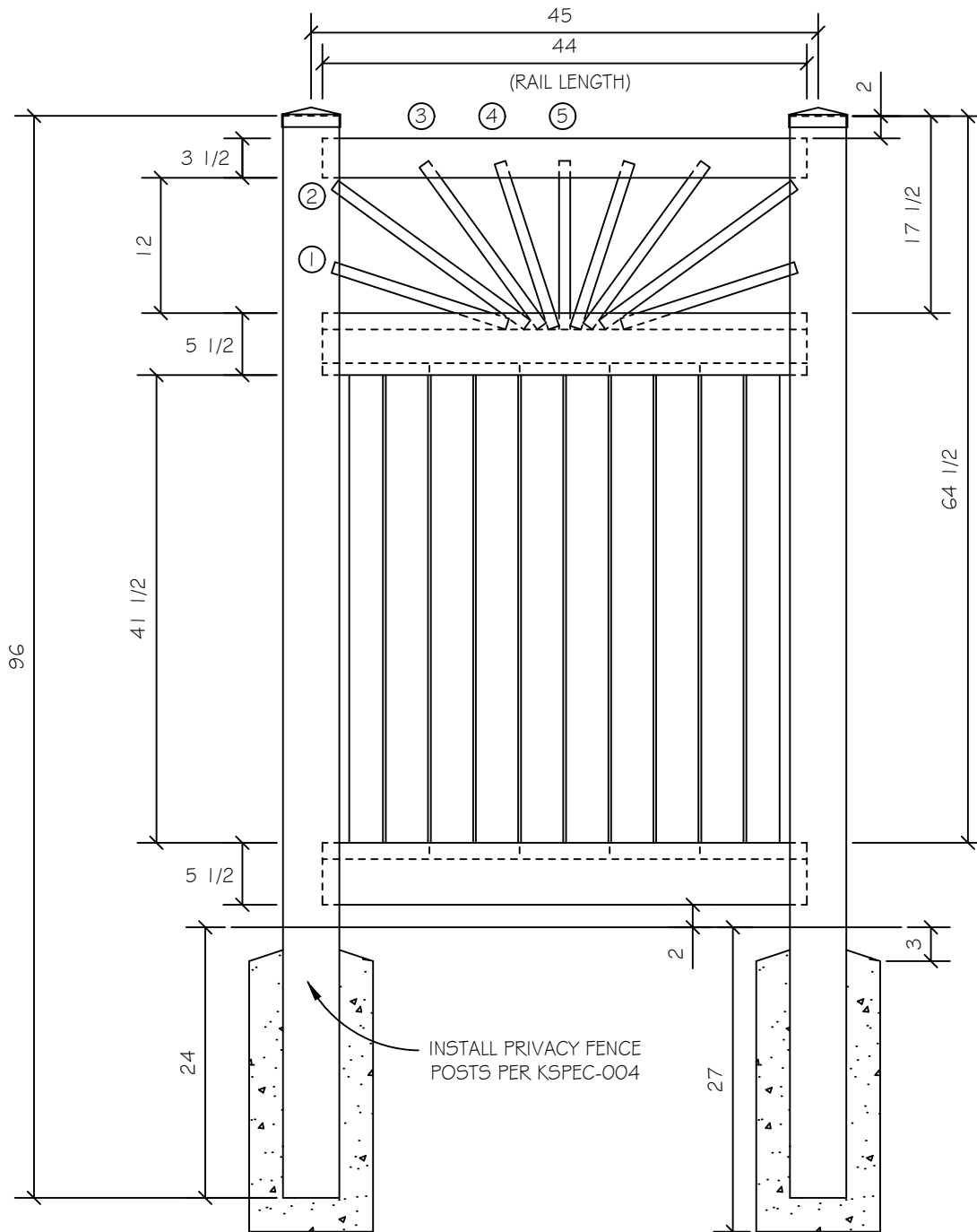
- ①
- ②
- ③
- ④
- ⑤



6 ft Privacy Fence with Sunburst

REQ'D MATERIAL PER 4' SECTION

- | | |
|----------------------------------|-----------------------|
| POST: | PICKET: |
| (1) 5" X 5" X 96" | (5) 1" X 8" X 44" T#G |
| POST CAP: | |
| (1) 5" X 5" External Long Cap | SUN BURST PATTERN |
| RAIL: | (2) 1" X 1" X 16 1/4" |
| (2) 1 1/2" X 5 1/2" X 44" Ribbed | (2) 1" X 1" X 21 1/8" |
| (1) 2" X 3 1/2" X 44" Open RW | (2) 1" X 1" X 17 3/4" |
| U-CHANNEL: | (2) 1" X 1" X 15 3/8" |
| (2) 1" U-Channel X 41 3/8" | (1) 1" X 1" X 15" |

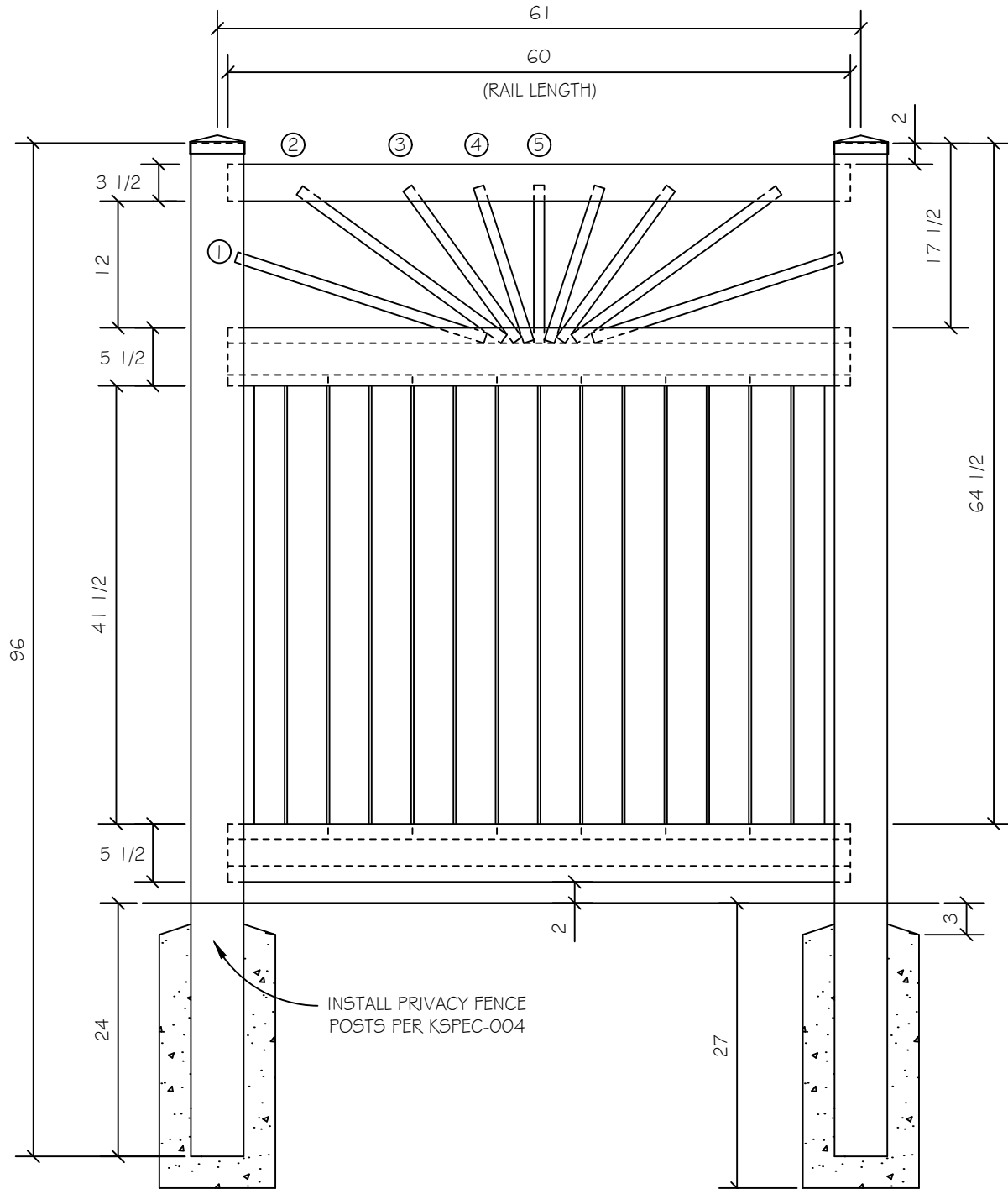


6 ft Privacy Fence with Sunburst

REQ'D MATERIAL PER 5' SECTION

- | | | |
|---|---|----------------------------------|
| <p>POST:
 (1) 5" X 5" X 96"
 POST CAP:
 (1) 5" X 5" External Long Cap
 RAIL:
 (2) 1 1/2" X 5 1/2" X 60" Ribbed
 (1) 2" X 3 1/2" X 60" Open RW
 U-CHANNEL:
 (2) 1" U-Channel X 4 1/2" X 3/8"</p> | <p>PICKET:
 (7) 1" X 8" X 44" T#G

 (SUN BURST PATTERN)
 (2) 1" X 1" X 24 7/8"
 (2) 1" X 1" X 24"
 (2) 1" X 1" X 17 3/4"
 (2) 1" X 1" X 15 3/8"
 (1) 1" X 1" X 15"</p> | <p>①
②
③
④
⑤</p> |
|---|---|----------------------------------|



6 ft Privacy Fence with 7 3/4" Lattice Top

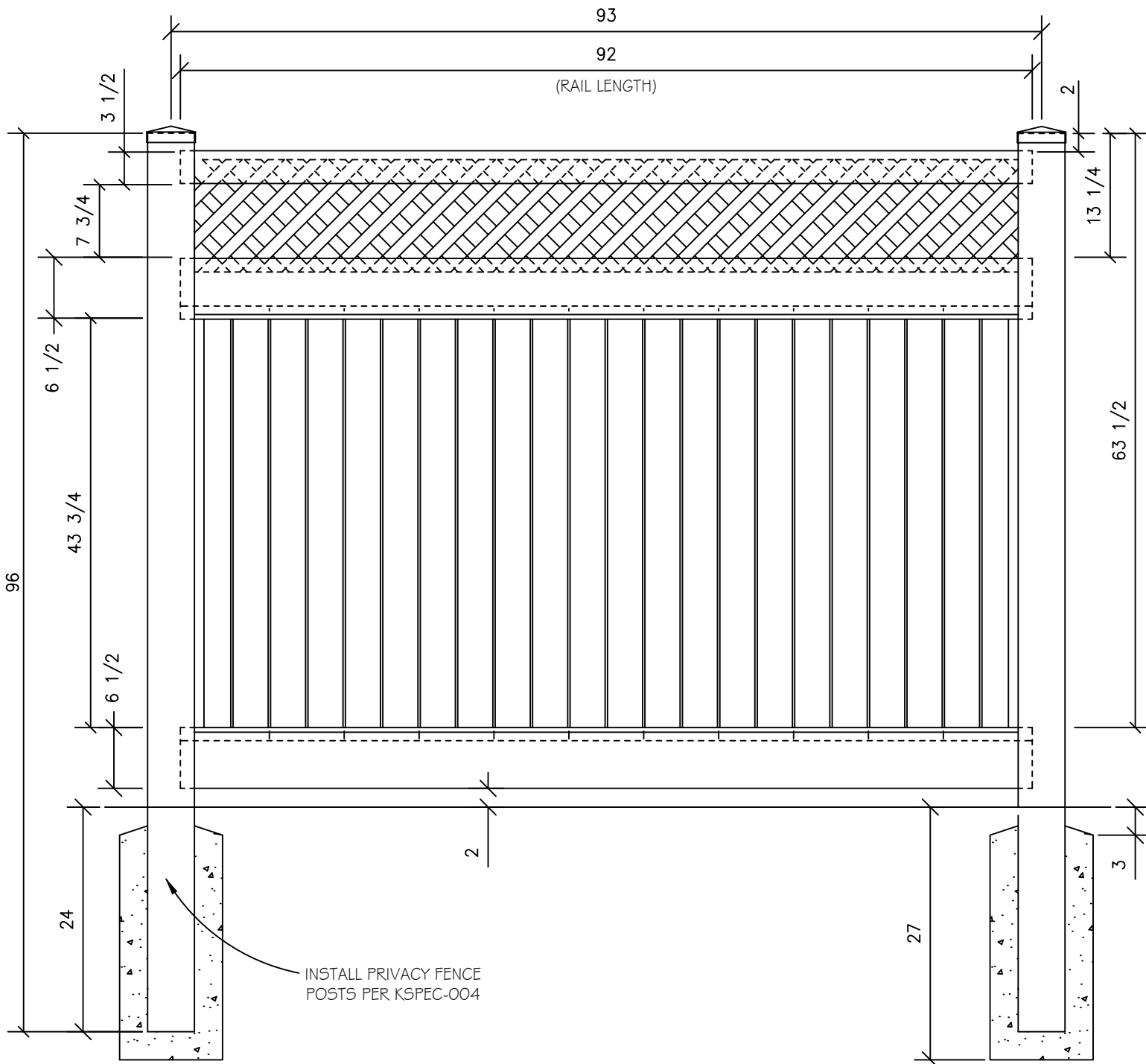
REQ'D MATERIAL PER 8' SECTION

- POST:
 (1) 5" X 5" X 96"
 POST CAP:
 (1) 5" X 5" External Long Cap
 RAIL:
 (1) 2" X 3 1/2" X 92" Open RW
 (2) 2" X 6 1/2" X 92" Slotted
 PICKET:
 (11) 1" X 8" X 46 1/4" T&G

- U-CHANNEL:
 (2) 1" U-Channel X 43 5/8"
 LATTICE:
 (1) 12" X 88" Lattice Diamond
 RAIL INSERT:
 (1) 2" X 3 1/2" X 92" Alum Insr L BX (P-Channel)

INSERT IS NOT REQUIRED ON WHITE, TAN OR SANDSTONE FENCE BOTTOM RAILS. ALL OTHER COLORS GREATER THAN 60" MUST INSTALL INSERT

Matches K228 gate in Section 1



INSTALL PRIVACY FENCE POSTS PER KSPEC-004

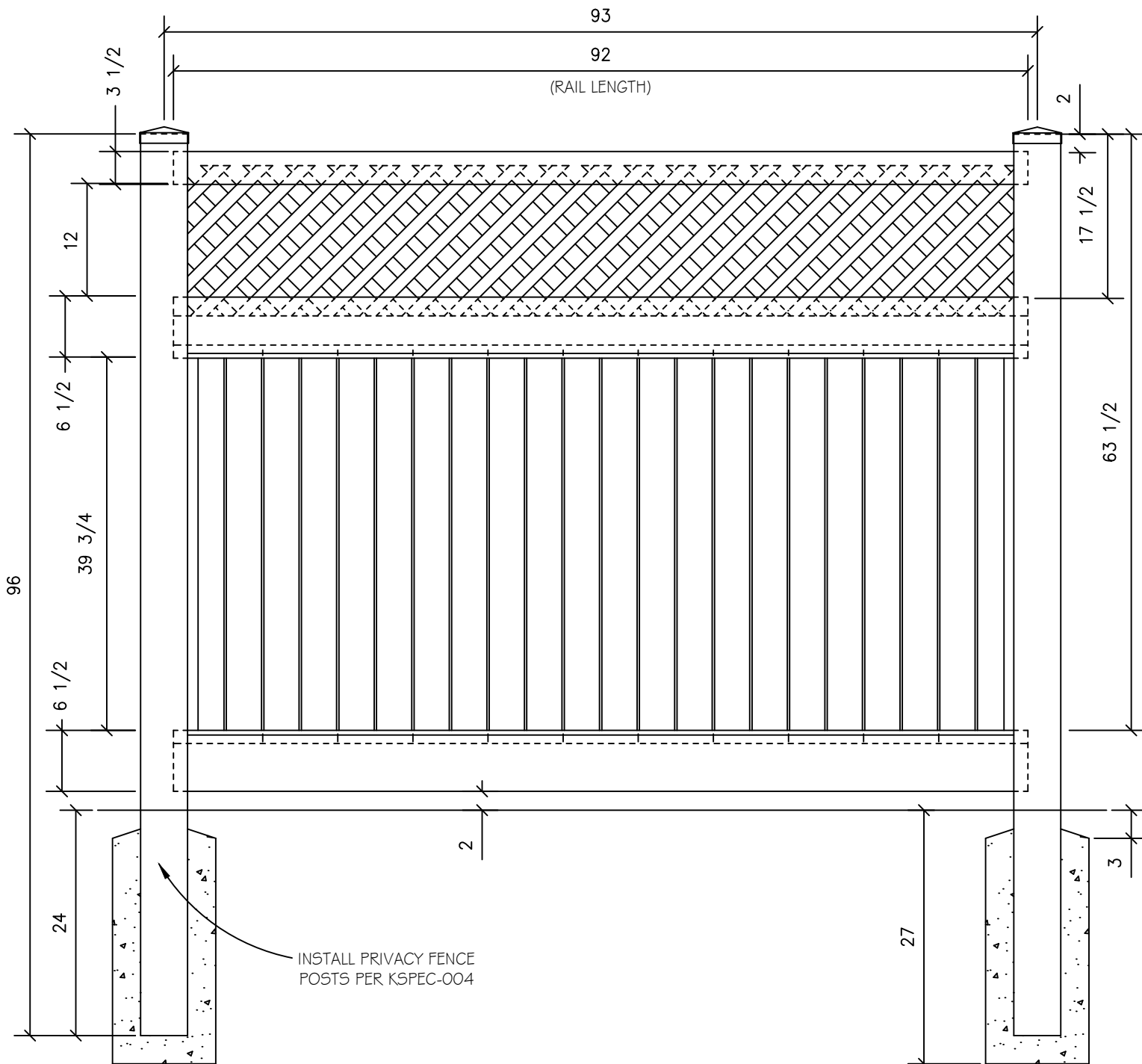
6 ft Privacy Fence with 12" Lattice Top

REQ'D MATERIAL PER 8' SECTION

- POST:
 (1) 5" X 5" X 96"
 POST CAP:
 (1) 5" X 5" External Long Cap
 RAILS:
 (1) 2" X 3 1/2" X 92" Open RW
 (2) 2" X 6 1/2" X 92" Slotted
 PICKET:
 (1) 1" X 8" X 42 1/4" T#G

- LATTICE:
 (1) 16" X 88" Lattice Diamond
 U-CHANNEL:
 (2) 1" U-Channel X 39 5/8"
 RAIL INSERT:
 (1) 2" X 3 1/2" X 92" Alum Insrt L BX (P-Channel)

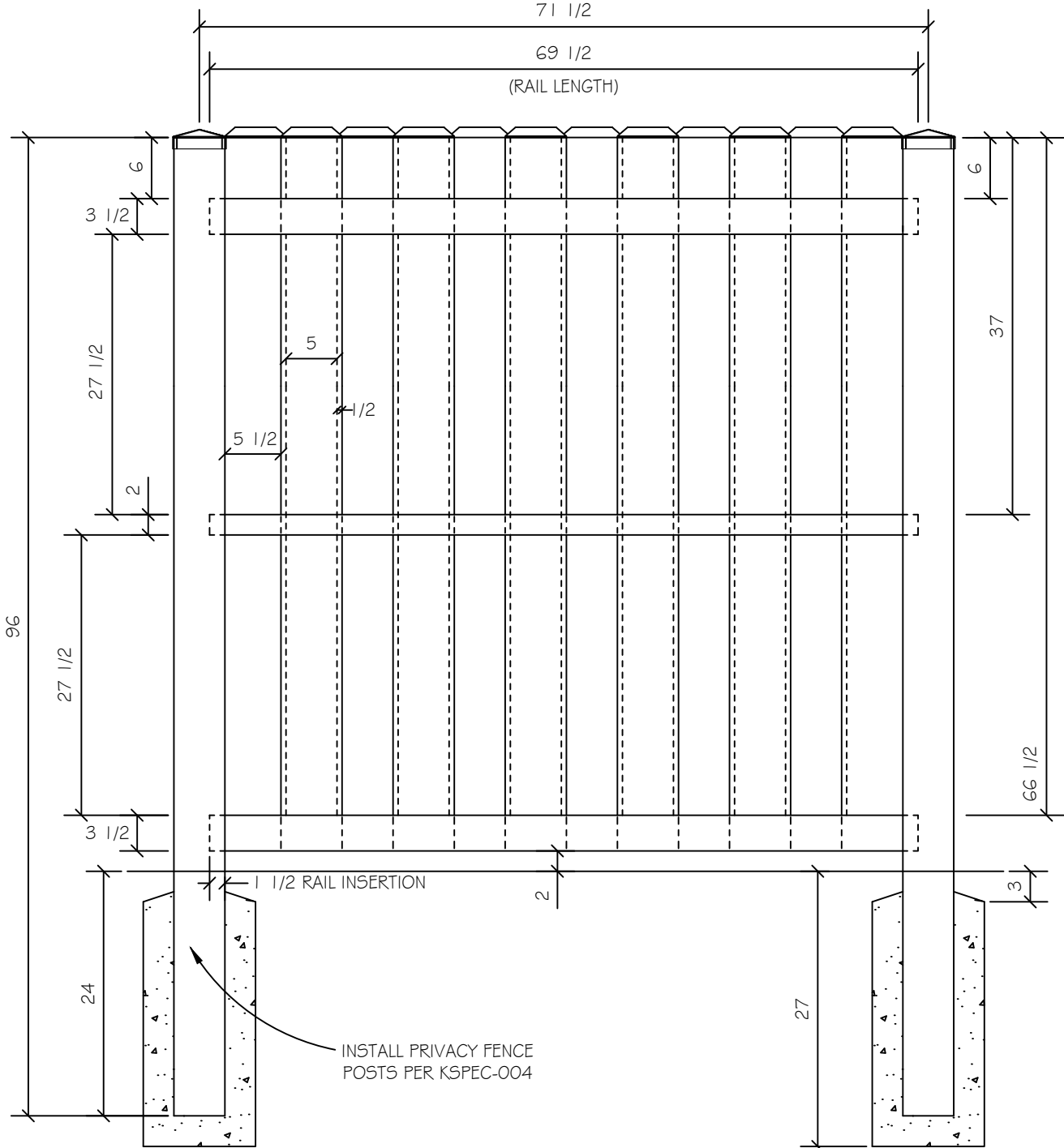
INSERT IS NOT REQUIRED ON WHITE, TAN OR SANDSTONE FENCE BOTTOM RAILS. ALL OTHER COLORS GREATER THAN 60" MUST INSTALL INSERT



6 ft Picket Shadow Box Fence

REQ'D MATERIAL PER 6' SECTION

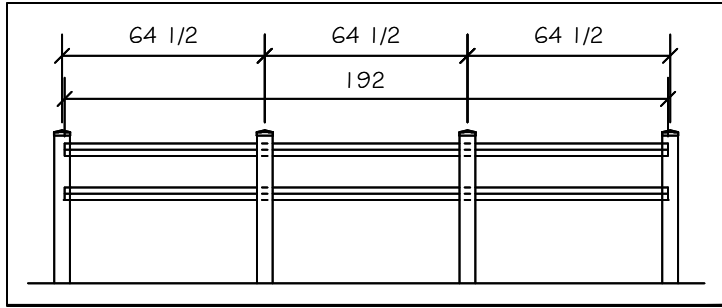
- | | |
|-----------------------------------|-----------------------------|
| POST: | PICKET: |
| (1) 5" X 5" X 96" | (12) 7/8" X 6" X 70" Ribbed |
| POST CAP: | PICKET CAP: |
| (1) 5" X 5" Ext. Long Cap | (12) 7/8" X 6" Dog Ear Cap |
| RAIL: | |
| (2) 3 1/2" X 3 1/2" X 69 1/2" | |
| (1) 2" X 3 1/2" X 69 1/2" Open RW | |



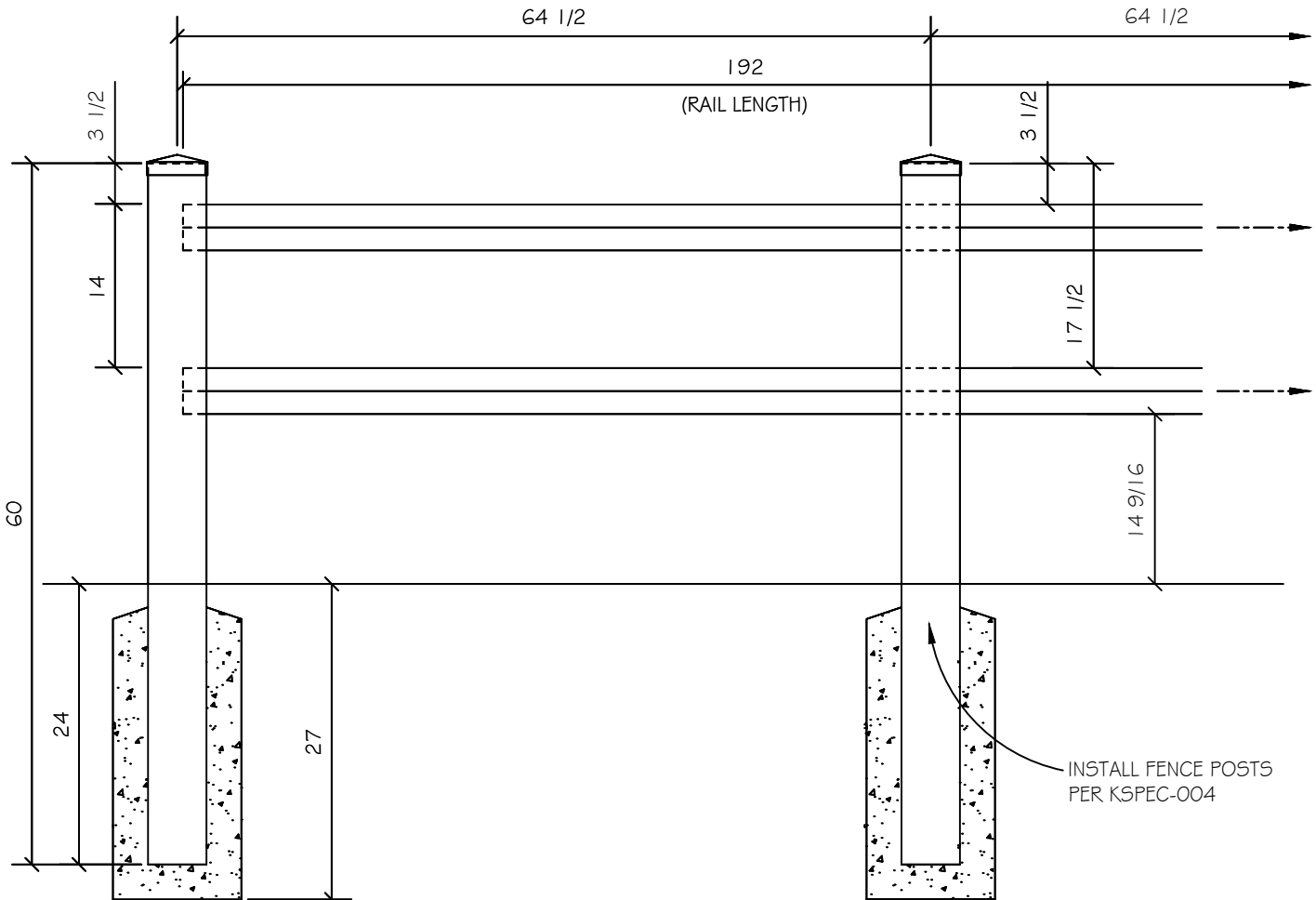
Diamond 2-Rail Ranch

REQ'D MATERIAL PER 16' SECTION

- POST:
(3) 5" X 5" X 60"
- POST CAP:
(3) 5" X 5" External Long Cap
- RAIL:
(2) 3" X 3" X 192" Open



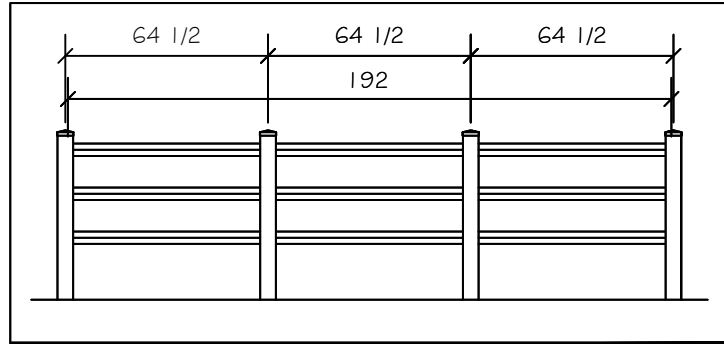
NOTE: STAGGER JOINTS OF RAILS IN EVERY OTHER POST



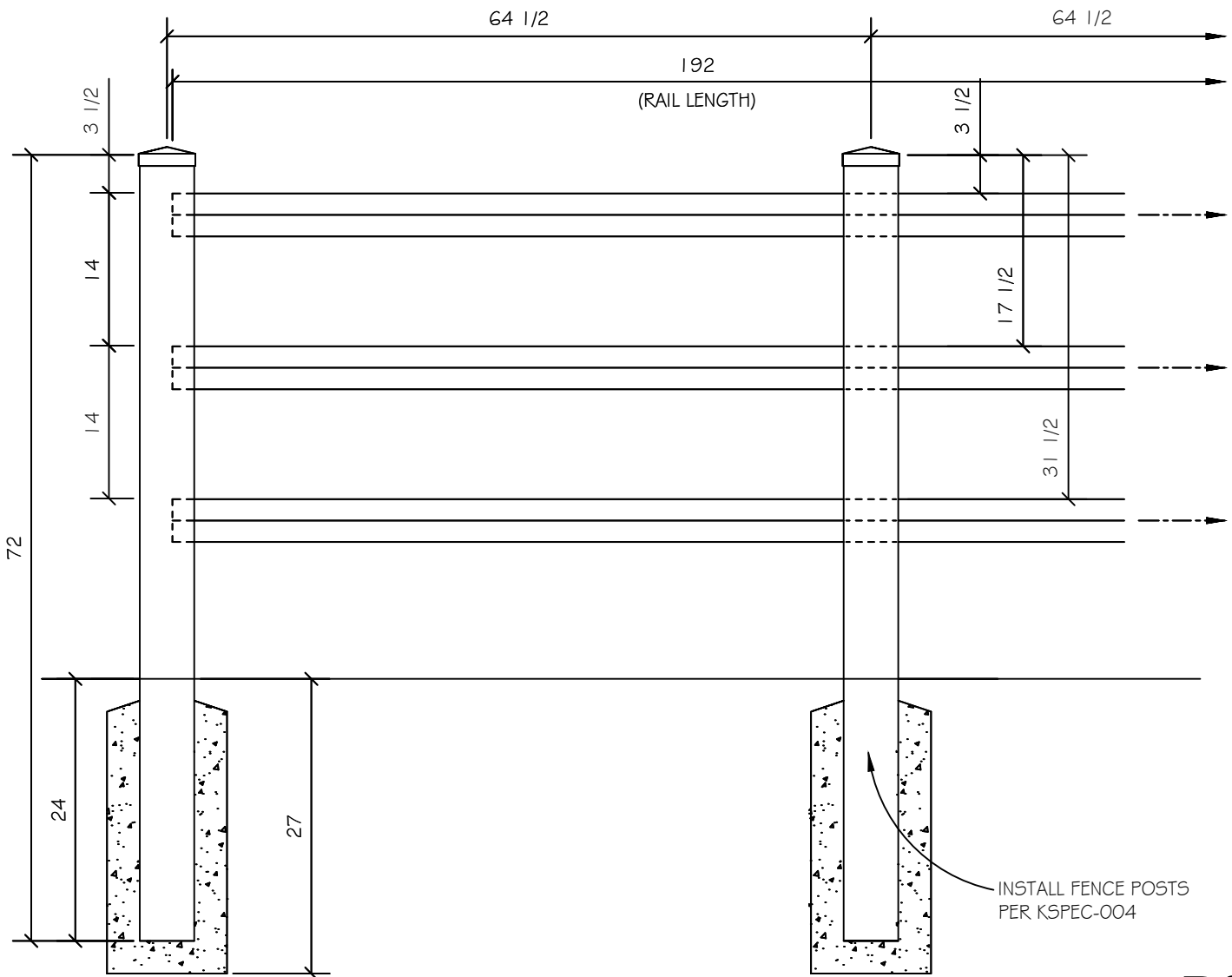
Diamond 3-Rail Ranch

REQ'D MATERIAL PER 16' SECTION

- POST:
(3) 5" X 5" X 72"
- POST CAP:
(3) 5" X 5" External Long Cap
- RAIL:
(3) 3" X 3" X 192" Open



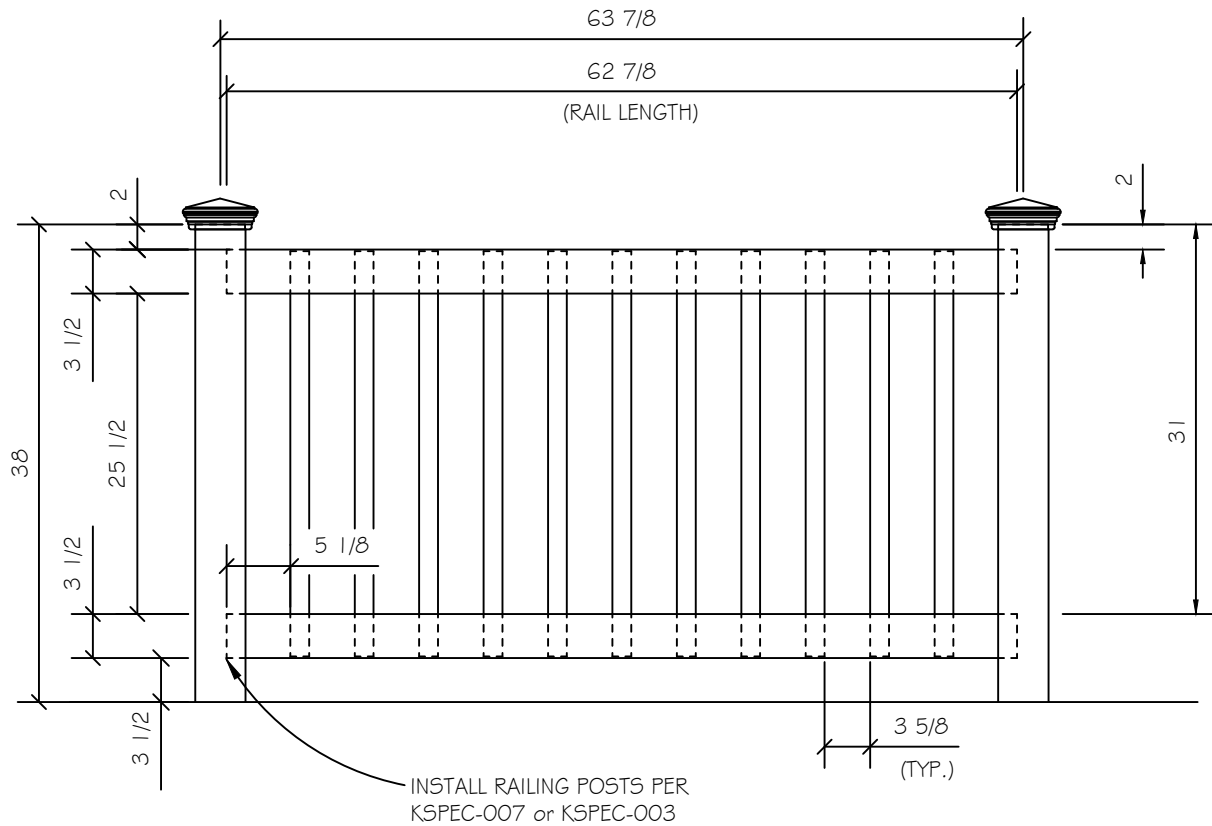
NOTE: STAGGER JOINTS OF RAILS IN EVERY OTHER POST



3 ft High Porch Rail System (3 5/8 inch Gap)

- | | |
|--|--|
| POST:
(1) 4" X 4" X 38" | PICKET:
(11) 7/8" x 1-1/2" x 31-7/8" |
| POST CAP:
(1) 4" x 4" Classic Cap
(1) 4" x 4" Classic Trim | RAIL:
(2) 2" x 3-1/2" x 62-7/8" Open RW |

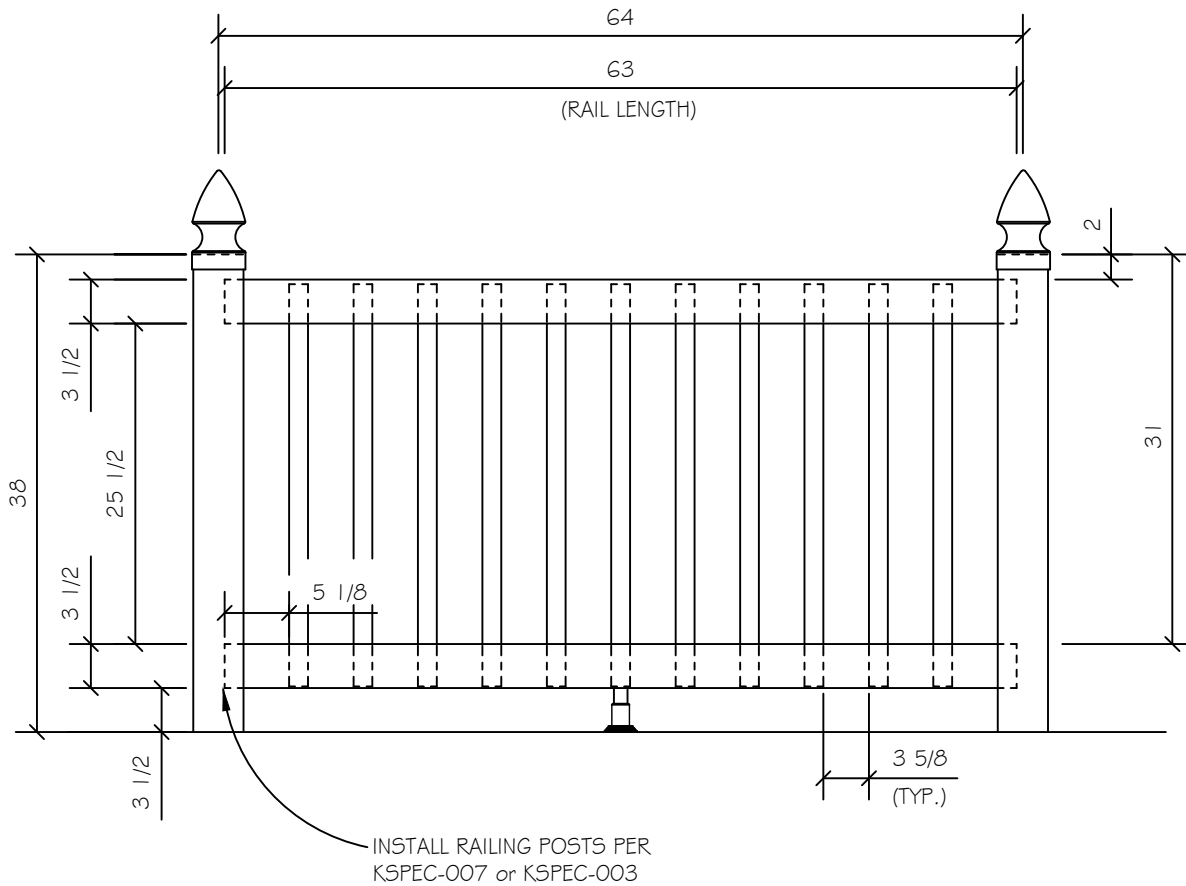
NOT INTENDED FOR PORCH RAIL SYSTEMS GREATER THAN 30" OFF THE GROUND. NOT TO BE USED FOR PORCH RAIL SYSTEMS THAT EXCEED EITHER THE RAIL HEIGHT OR THE RAIL LENGTH SHOWN IN THIS DRAWING.



3 ft High Porch Rail (3 5/8 inch Gap)

- | | |
|------------------------------|-------------------------------|
| POST: | RAIL: |
| (1) 4" x 4" x 38" | (2) 2" x 3-1/2" x 63" Open RW |
| POST CAP: | FOOTBLOCK: |
| (1) 4" x 4" Gothic Cap | (1) Adjustable Footblock |
| PICKET: | |
| (11) 7/8" x 1-1/2" x 31-7/8" | |

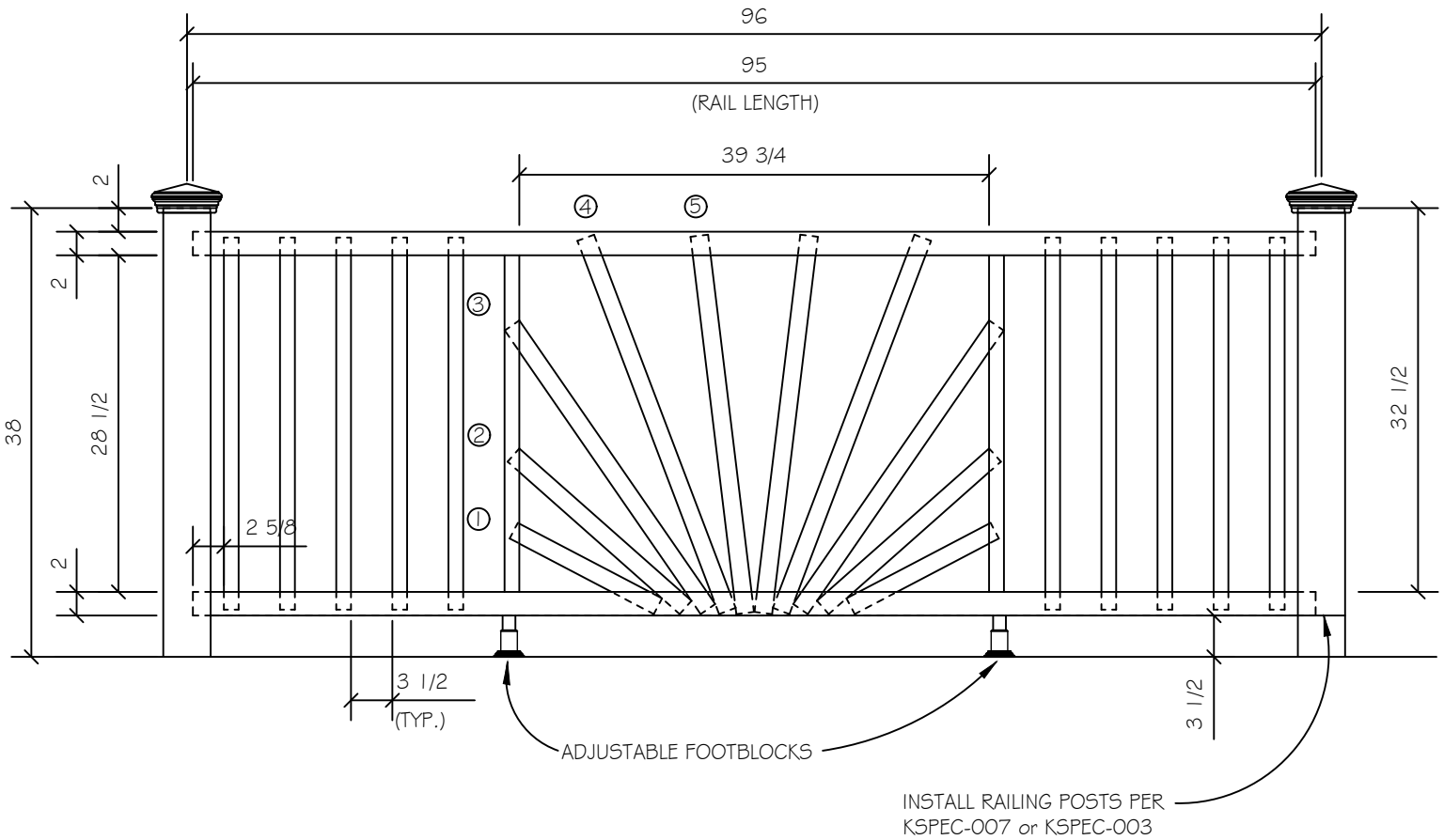
NOT INTENDED FOR PORCH RAIL SYSTEMS GREATER THAN 30" OFF THE GROUND. NOT TO BE USED FOR PORCH RAIL SYSTEMS THAT EXCEED EITHER THE RAIL HEIGHT OR THE RAIL LENGTH SHOWN IN THIS DRAWING.



3 ft High Porch Rail with Sunburst (3 1/2 inch Gap)

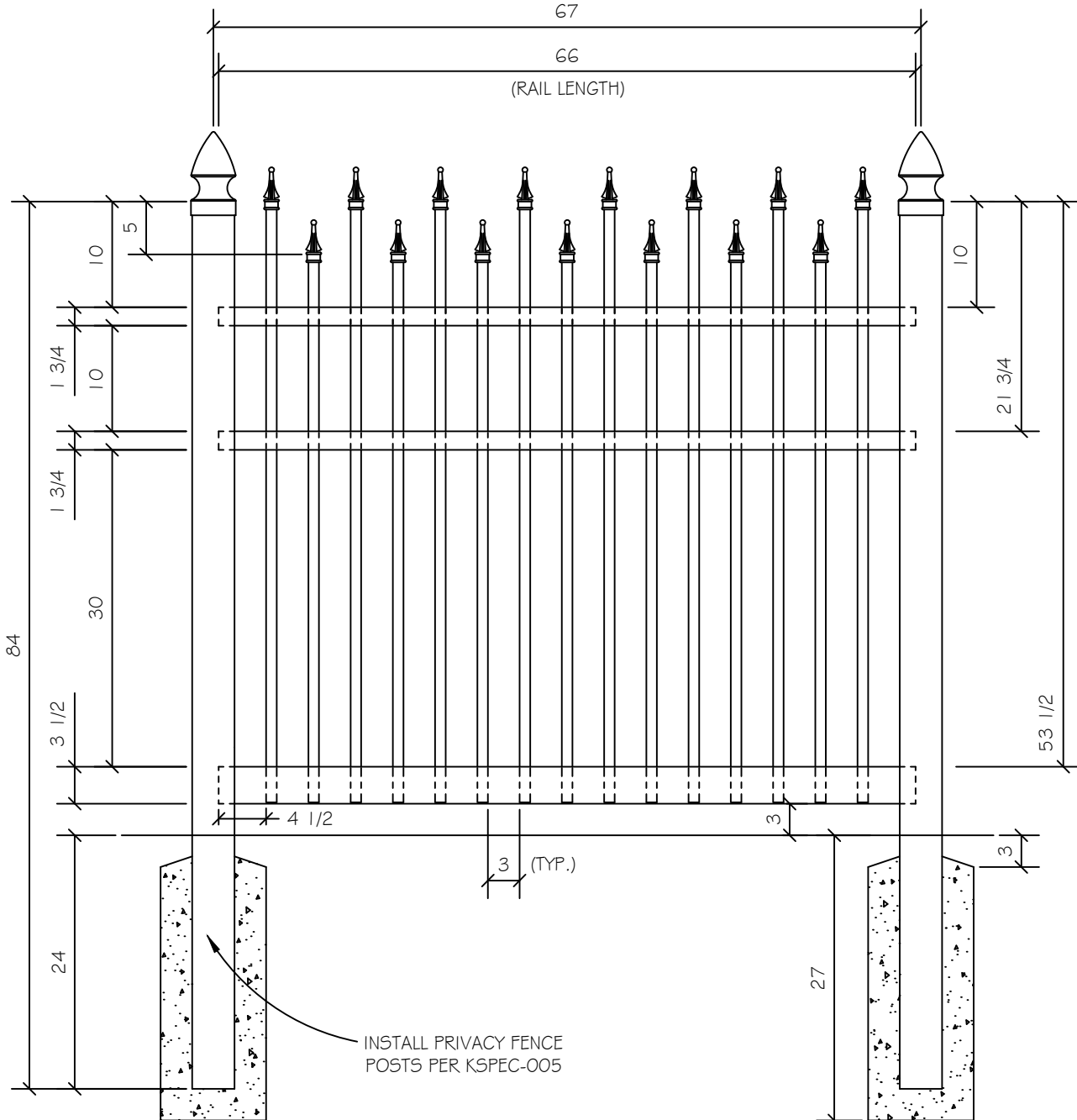
- | | |
|--|--|
| POST:
(1) 4" x 4" x 38" | PICKET:
(12) 7/8" x 1-1/2" x 31-7/8" |
| POST CAP:
(1) 4" x 4" Classic Cap
(1) 4" x 4" Classic Trim | SUNBURST:
(2) 7/8" x 1-1/2" x 14-1/2" ①
(2) 7/8" x 1-1/2" x 20-1/8" ②
(2) 7/8" x 1-1/2" x 29-5/8" ③
(2) 7/8" x 1-1/2" x 33-3/4" ④
(2) 7/8" x 1-1/2" x 32-1/8" ⑤ |
| RAIL:
(2) 2" x 3-1/2" x 95" Open RW | |
| FOOTBLOCK:
(2) Adjustable Footblock | |

NOT INTENDED FOR PORCH RAIL SYSTEMS GREATER THAN 30" OFF THE GROUND. NOT TO BE USED FOR PORCH RAIL SYSTEMS THAT EXCEED EITHER THE RAIL HEIGHT OR THE RAIL LENGTH SHOWN IN THIS DRAWING.



5 ft Picket Fence (3 inch Gap)

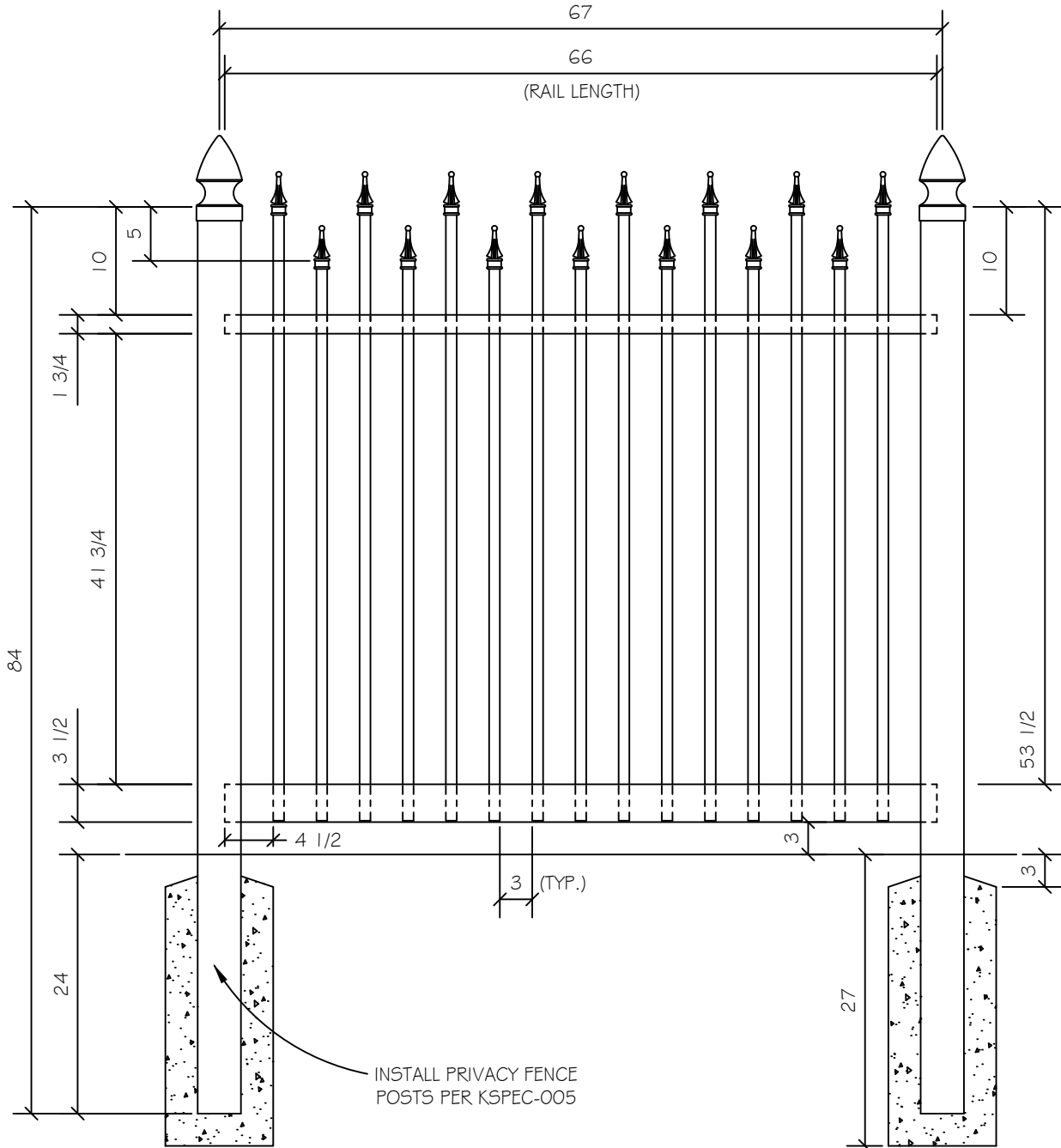
- | | |
|-------------------------------|---------------------------|
| POST: | PICKET: |
| (1) 4" X 4" X 84" | (8) 1" X 1" X 57" |
| POST CAP: | (7) 1" X 1" X 52" |
| (1) 4" X 4" Gothic Cap | PICKET CAP: |
| RAIL: | (15) 1 x 1 Ball Spear Cap |
| (2) 1 3/4" X 1 3/4" X 66" | |
| (1) 2" X 3 1/2" X 66" Open RW | |



5 ft Picket Fence (3 inch Gap)

REQ'D MATERIAL PER 6' SECTION

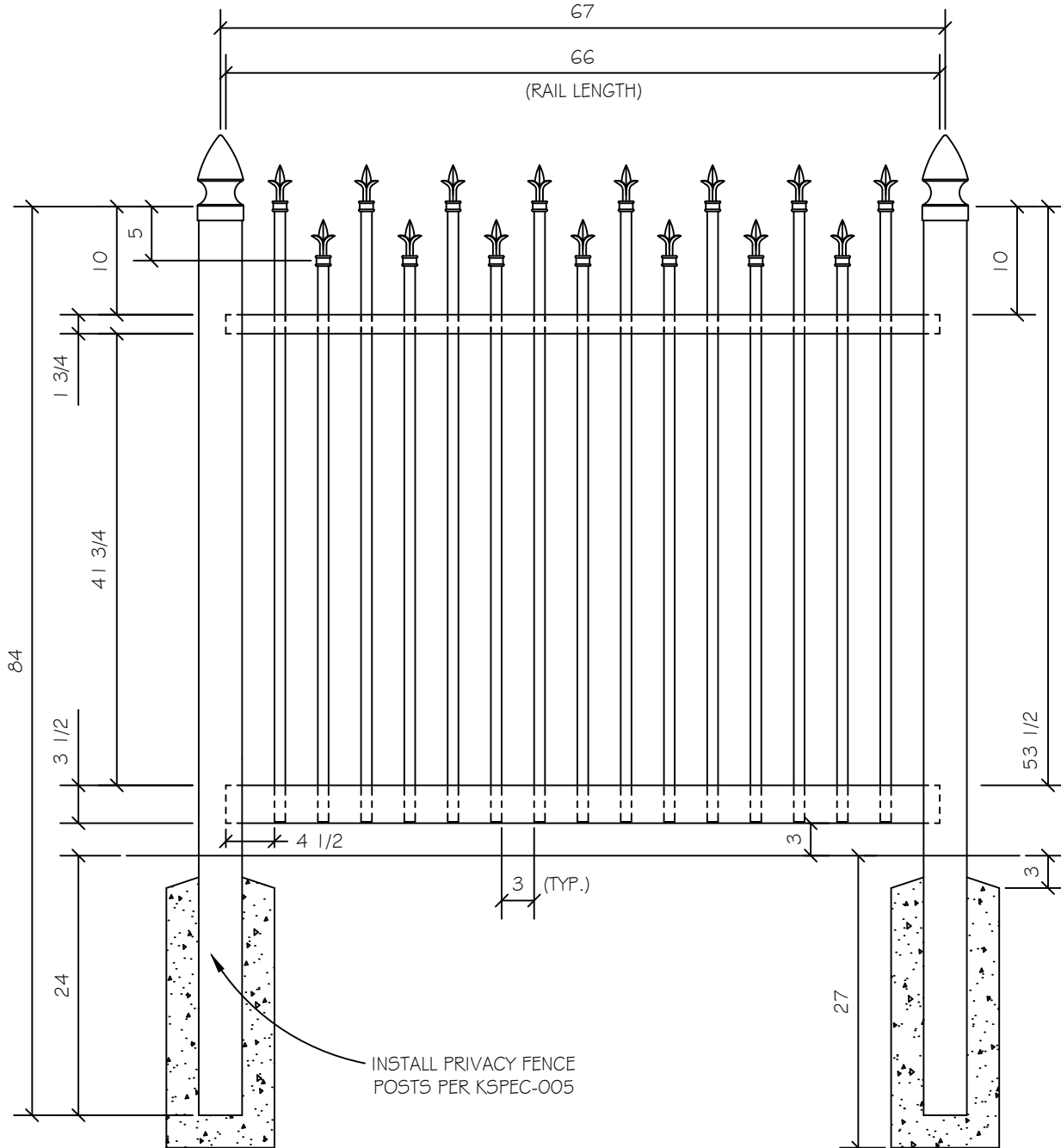
- | | |
|-------------------------------|---------------------------|
| POST: | PICKET: |
| (1) 4" X 4" X 84" | (8) 1" X 1" X 57" |
| POST CAP: | (7) 1" X 1" X 52" |
| (1) 4" X 4" Gothic Cap | PICKET CAP: |
| RAIL: | (15) 1 x 1 Ball Spear Cap |
| (1) 1 3/4 X 1 3/4 X 66 | |
| (1) 2" X 3 1/2" X 66" Open RW | |



5 ft Picket Fence (3 inch Gap)

REQ'D MATERIAL PER 6' SECTION

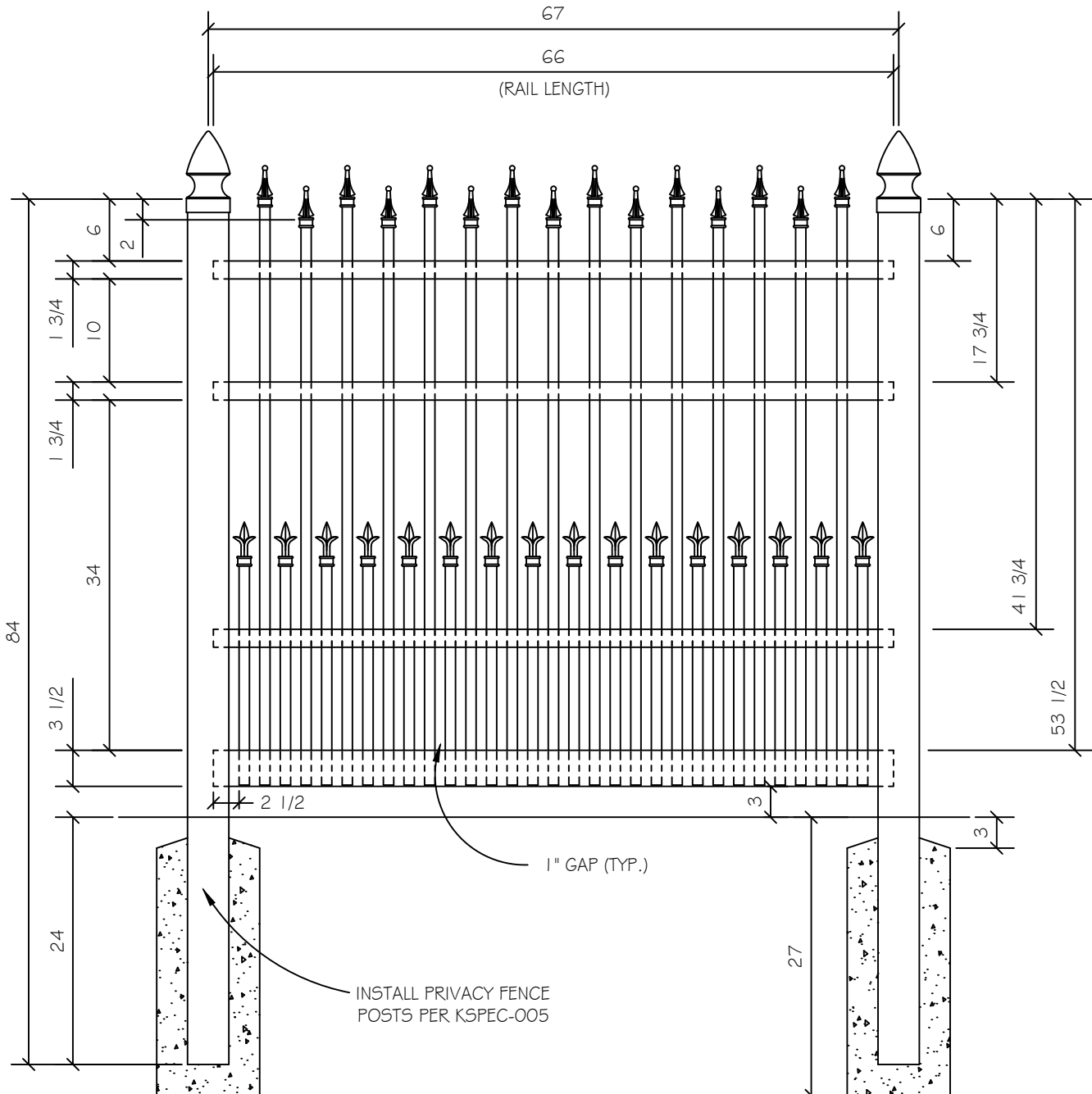
- | | |
|----------------------------|--------------------------|
| POST: | PICKET: |
| (1) 4" X 4" X 84" | (8) 1" X 1" X 57" |
| POST CAP: | (7) 1" X 1" X 52" |
| (1) 4" X 4" Gothic Cap | PICKET CAP: |
| RAIL: | (15) 1 x 1 Arrowhead Cap |
| (1) 1 3/4 X 1 3/4 X 66 | |
| (1) 2 X 3 1/2 X 66 Open RW | |



5 ft Picket Fence (1 inch Gap)

REQ'D MATERIAL PER 6' SECTION

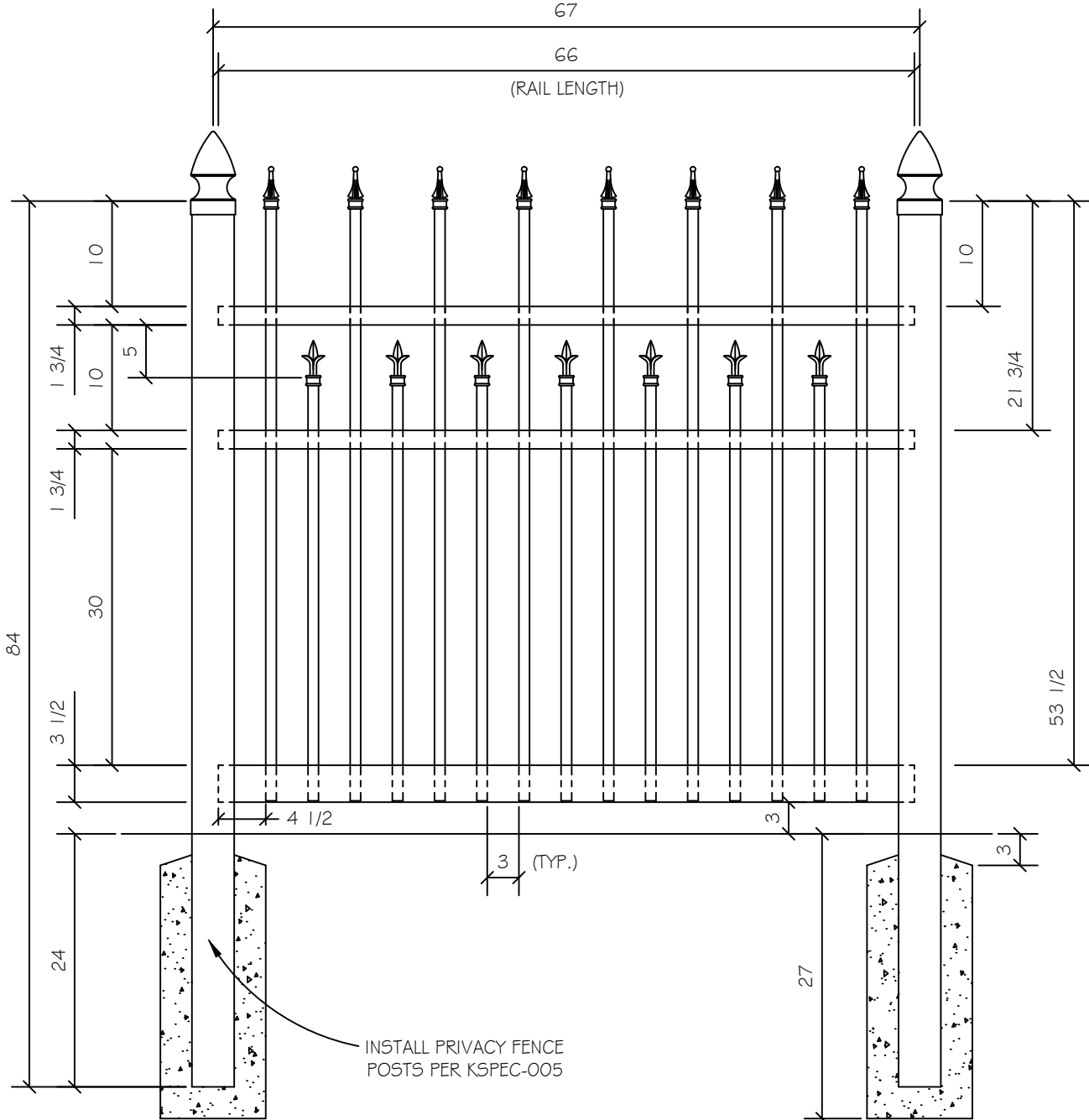
- | | |
|----------------------------|--------------------------------------|
| POST: | PICKET: |
| (1) 4" X 4" X 84" | (8) 1" X 1" X 55 1/4" |
| POST CAP: | (7) 1" X 1" X 53 1/4" |
| (1) 4" X 4" Gothic Cap | (16) 1" X 1" X 2 1/4" |
| RAIL: | PICKET CAP: |
| (3) 1 3/4 x 1 3/4 x 66 | (15) 1 x 1 Ball Spear Cap |
| (1) 2 x 3 1/2 x 66 Open RW | (16) 1 x 1 Arrowhead Cap |
| | HARDWARE: |
| | (1) 2 x 3 1/2 x 66 Alum Insrt Lg Box |



5 ft Picket Fence (3 inch Gap)

- POST:
 (1) 4" X 4" X 84"
 POST CAP:
 (1) 4" X 4" Gothic Cap
 RAIL:
 (2) 1 3/4" X 1 3/4" X 66"
 (1) 2" X 3 1/2" X 66" Open RW

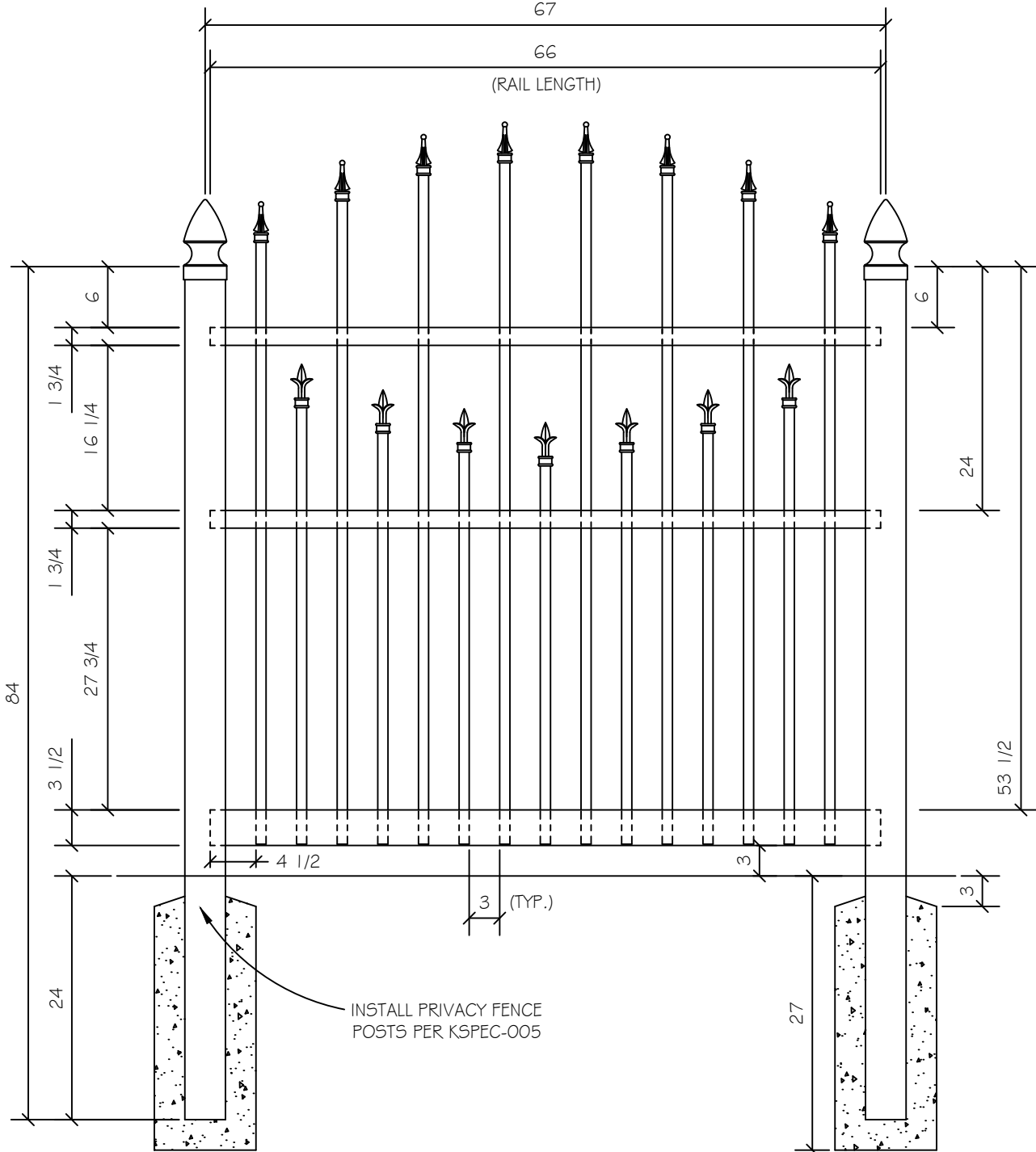
- PICKET:
 (8) 1" X 1" X 57"
 (7) 1" X 1" X 40 1/4"
 PICKET CAP:
 (8) 1 x 1 Ball Spear Cap
 (7) 1 x 1 Arrowhead Cap



5 ft Picket Fence (3 inch Gap)

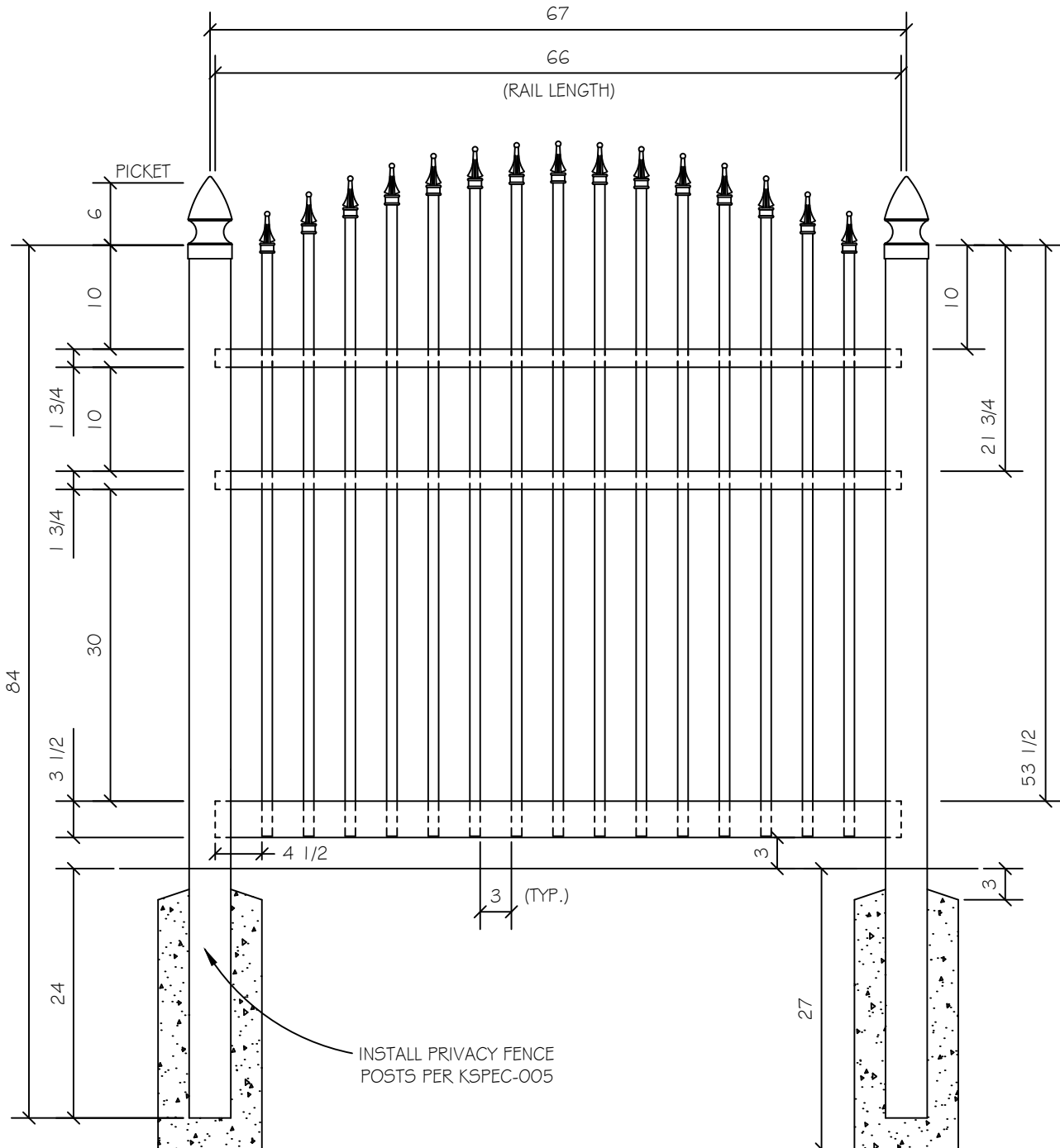
REQ'D MATERIAL PER 6' SECTION

- | | |
|-------------------------------|-----------------------|
| POST: | PICKET: |
| (1) 4" X 4" X 84" | (1) 1" X 1" X 38" |
| POST CAP: | (2) 1" X 1" X 39 3/8" |
| (1) 4" X 4" Gothic Cap | (2) 1" X 1" X 41 1/4" |
| RAIL: | (2) 1" X 1" X 43 3/4" |
| (2) 1 3/4" X 1 3/4" X 66" | (2) 1" X 1" X 60" |
| (1) 2" X 3 1/2" X 66" Open RW | (2) 1" X 1" X 64" |
| PICKET CAP: | (2) 1" X 1" X 66 5/8" |
| (8) 1 x 1 Ball Spear Cap | (2) 1" X 1" X 67 7/8" |
| (7) 1 x 1 Arrowhead Cap | |



5 ft Picket Fence (3 inch Gap)

- | | |
|-------------------------------|-----------------------|
| POST: | PICKET: |
| (1) 4" X 4" X 84" | (2) 1" X 1" X 57" |
| POST CAP: | (2) 1" X 1" X 58 3/4" |
| (1) 4" X 4" Gothic Cap | (2) 1" X 1" X 60 1/4" |
| RAIL: | (2) 1" X 1" X 61 1/2" |
| (2) 1 3/4" X 1 3/4" X 66" | (2) 1" X 1" X 62 1/2" |
| (1) 2" X 3 1/2" X 66" Open RW | (2) 1" X 1" X 63" |
| PICKET CAP: | (2) 1" X 1" X 63 1/2" |
| (15) 1 x 1 Ball Spear Cap | (1) 1" X 1" X 63 3/4" |

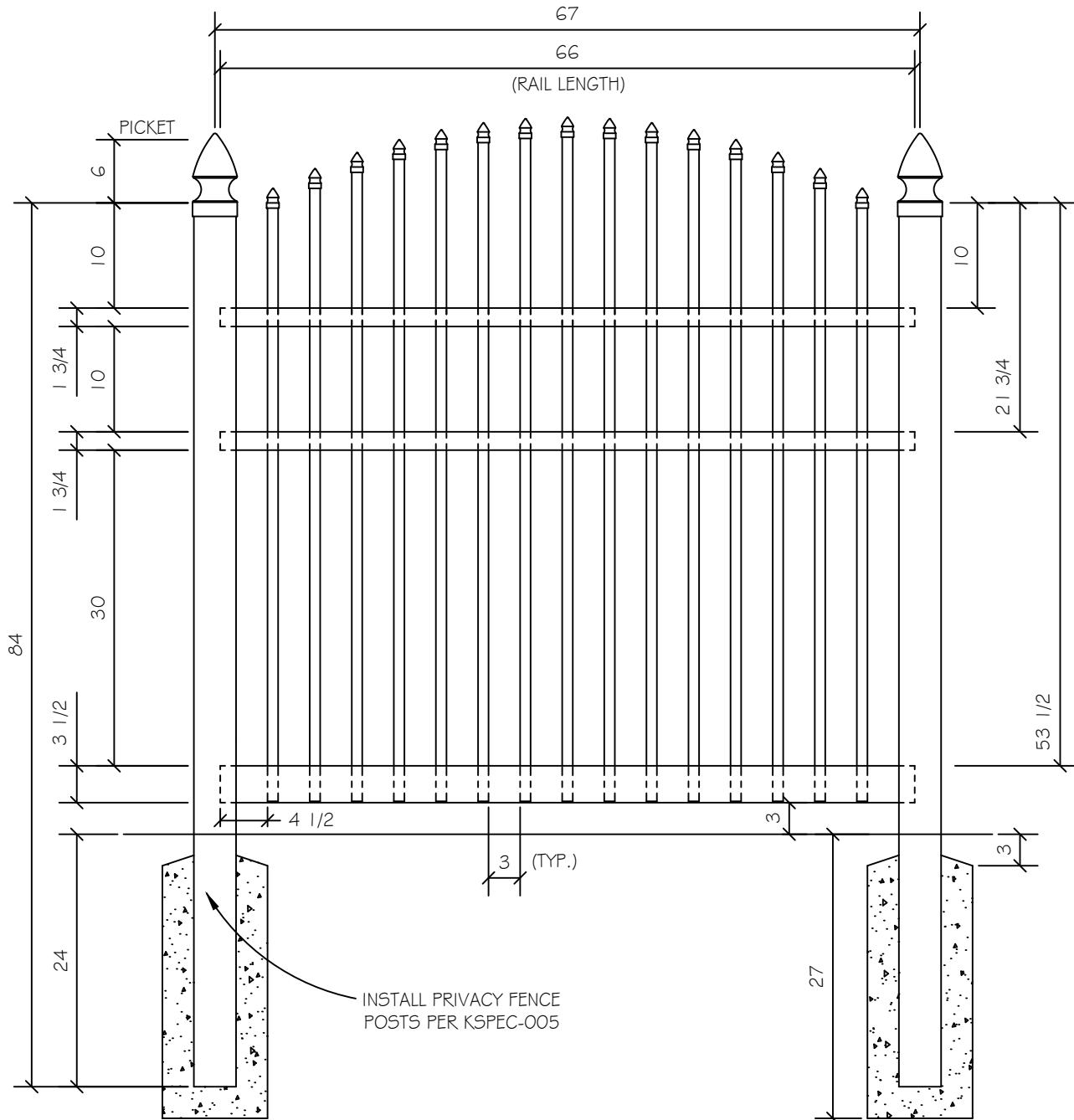


5 ft Picket Fence

(3 inch Gap)

REQ'D MATERIAL PER 6' SECTION

POST:	PICKET:
(1) 4" X 4" X 84"	(2) 1" X 1" X 57"
RAILS:	(2) 1" X 1" X 58 3/4"
(2) 1 3/4 X 1 3/4 X 66	(2) 1" X 1" X 60 1/4"
(1) 2" X 3 1/2" X 66" Open RW	(2) 1" X 1" X 61 1/2"
POST CAP:	(2) 1" X 1" X 62 1/2"
(1) 4" X 4" Gothic Cap	(2) 1" X 1" X 63"
PICKET CAP:	(2) 1" X 1" X 63 1/2"
(15) 1 x 1 Gothic Cap	(1) 1" X 1" X 63 3/4"

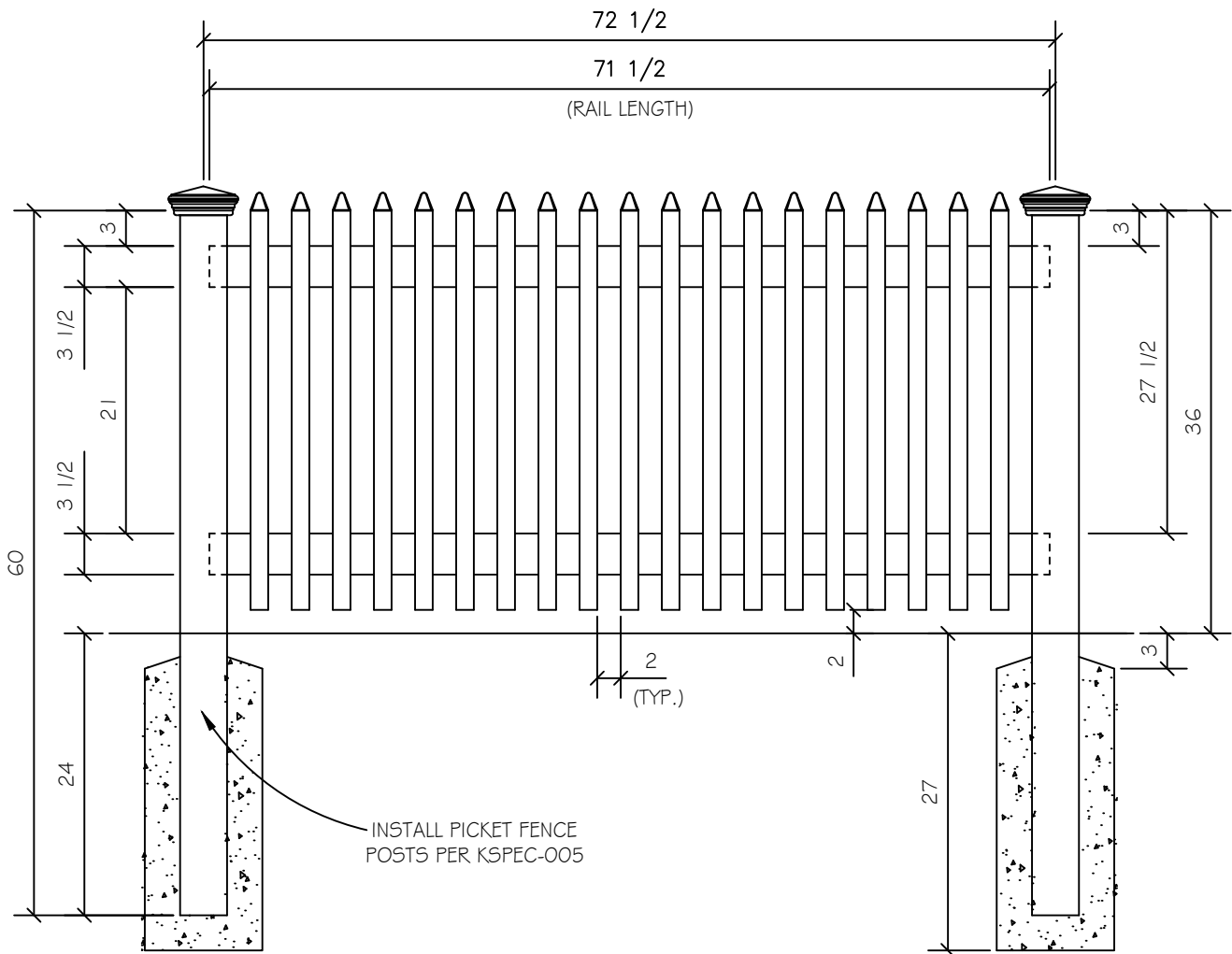


3 ft Narrow Picket Fence

2 inch Gap

REQ'D MATERIAL PER 6' SECTION

- | | |
|-----------------------------------|------------------------------------|
| POST: | PICKET: |
| (1) 4" X 4" X 60" | (19) 7/8" X 1 1/2" X 34" |
| POST CAP: | PICKET CAP: |
| (1) 4" x 4" Classic Cap & Trim | (19) 7/8" x 1 1/2" Spade Cap |
| RAIL: | HARDWARE: |
| (2) 2" X 3 1/2" X 71 1/2" Open RW | (38) 5/8" Cap Plug |
| | (38) 3/16" M Balbex Rivet 1/4" Grp |

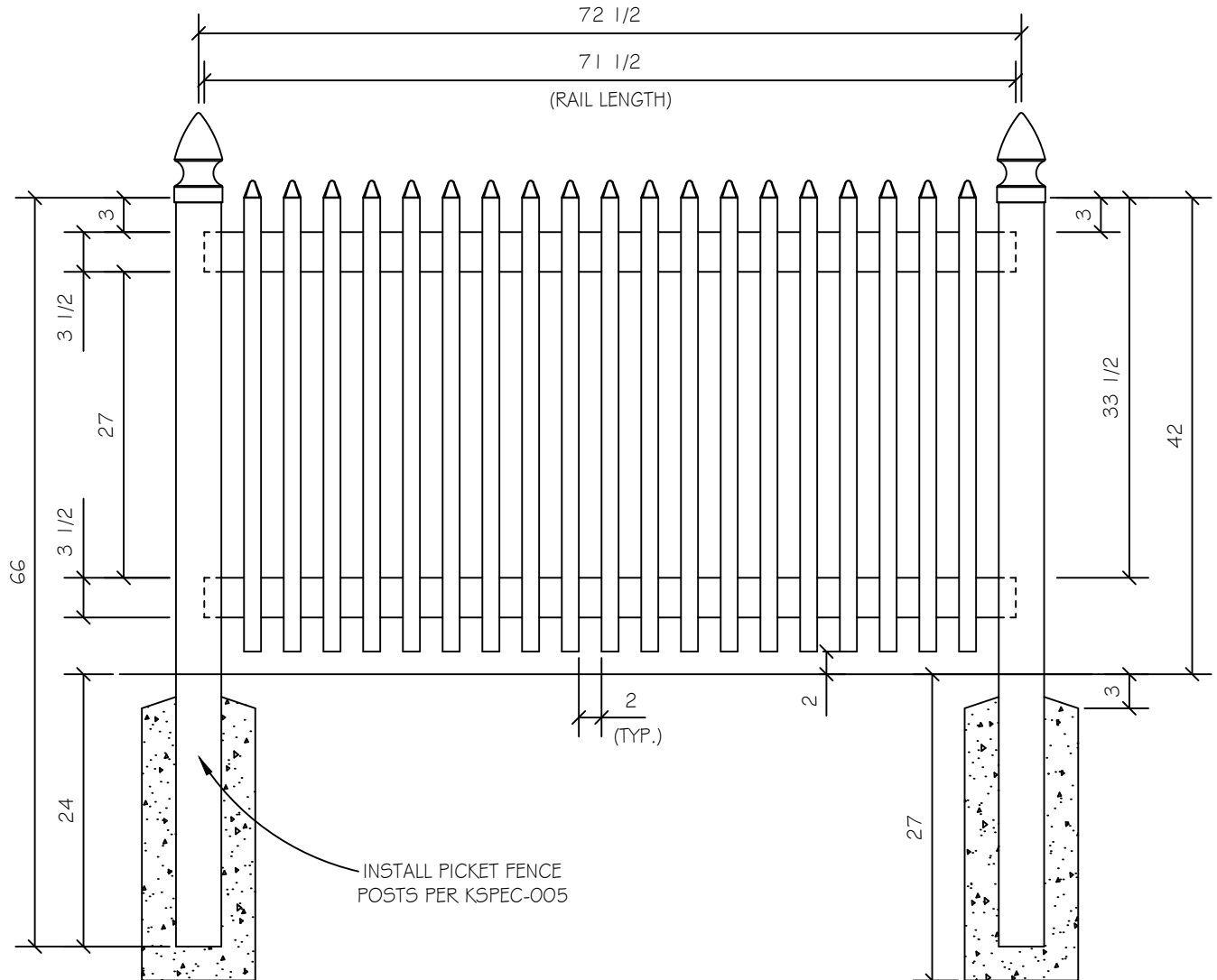


3 1/2 ft Narrow Picket Fence

2 inch Gap

REQ'D MATERIAL PER 6' SECTION

- | | |
|-----------------------------------|------------------------------------|
| POST: | PICKET: |
| (1) 4" X 4" X 66" | (19) 7/8" X 1 1/2" X 40" |
| POST CAP: | PICKET CAP: |
| (1) 4" X 4" Gothic Cap | (19) 7/8" X 1 1/2" Spade Cap |
| RAIL: | HARDWARE: |
| (2) 2" X 3 1/2" X 71 1/2" Open RW | (38) 5/8" Cap Plug |
| | (38) 3/16" W Balbex Rivet 1/4" Grp |



4 ft Narrow Picket Fence

2 inch Gap

REQD MATERIAL PER 6' SECTION

POST:

(1) 4" X 4" X 72"

POST CAP:

(1) 4" X 4" Gothic Cap

RAIL:

(2) 2" X 3 1/2" X 71 1/2" Open RW

PICKET:

(19) 7/8" X 1 1/2" X 46"

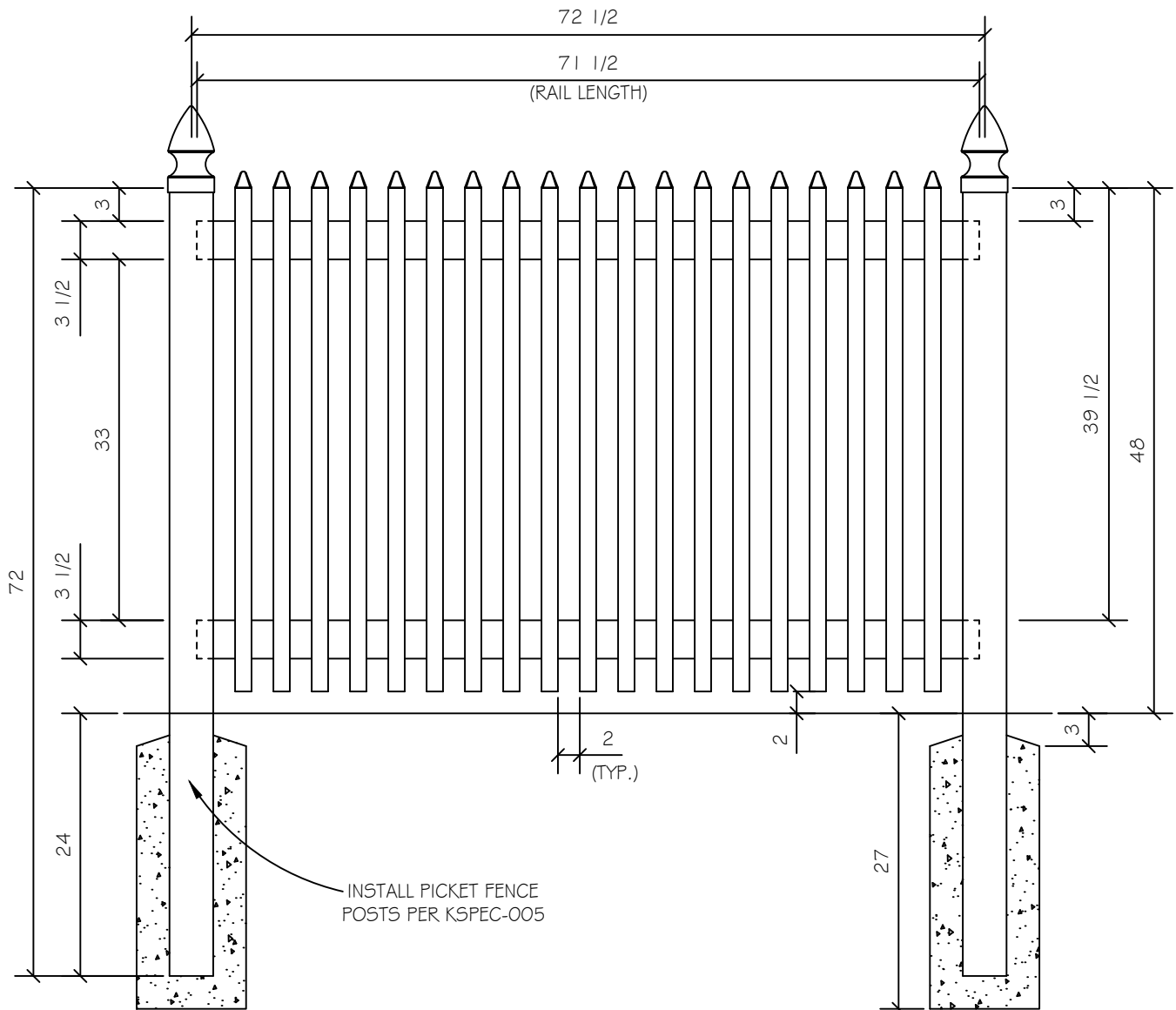
PICKET CAP:

(19) 7/8" X 1 1/2" Spade Cap

HARDWARE:

(38) 5/8" Cap Plug

(38) 3/16" M Balbex Rivet 1/4" Grp

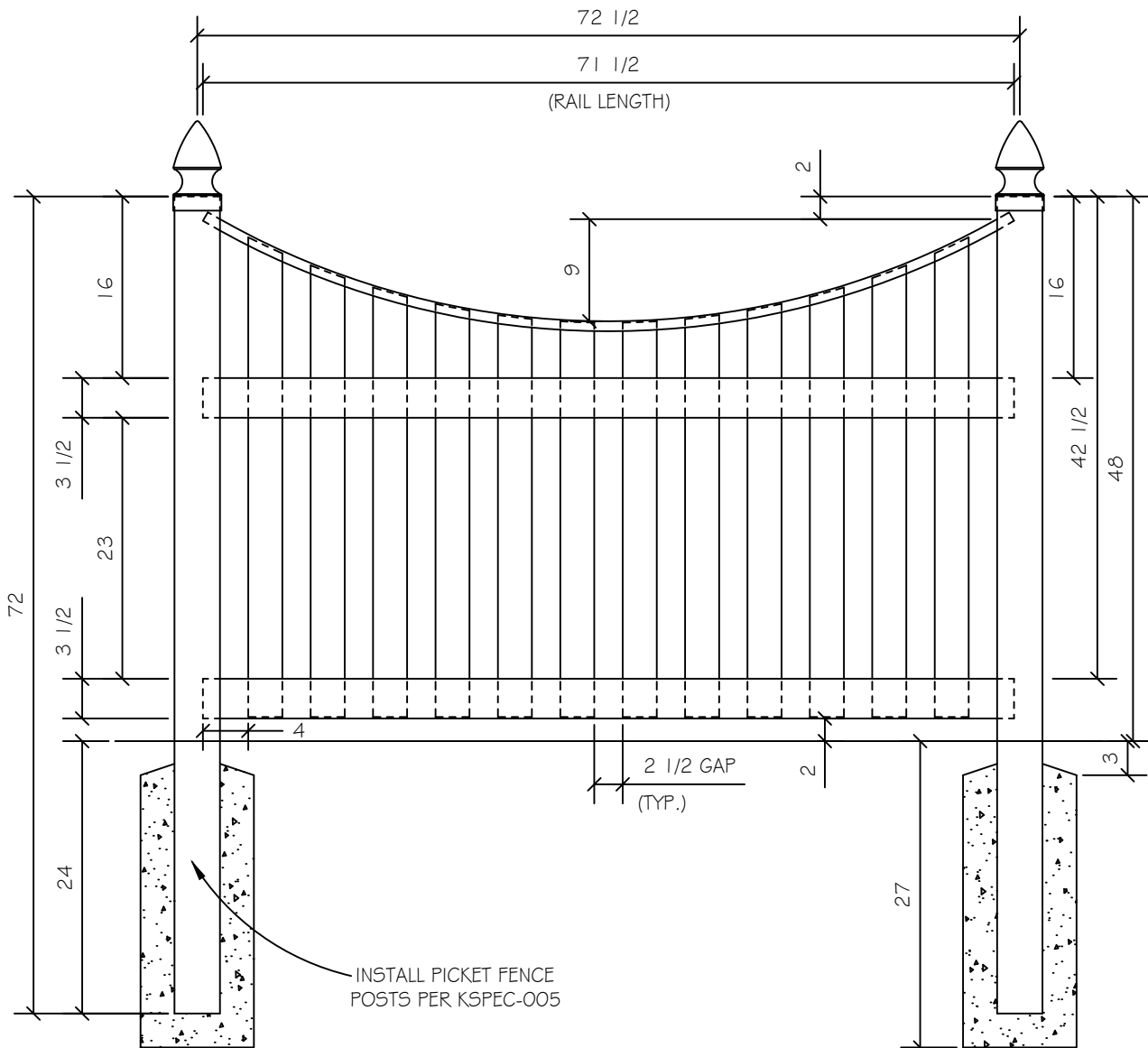


4 ft Routed Scallop Capped Fence

2 1/2 inch Gap

REQ'D MATERIAL PER 6' SECTION

POST:	PICKET:	CUT ANGLE
(1) 4" X 4" X 72"	(2) 7/8" X 3" X 35"	2.29°
POST CAP:	(2) 7/8" X 3" X 35 1/2"	6.69°
(1) 4" X 4" Gothic Cap	(2) 7/8" X 3" X 36 1/2"	11.21°
RAIL:	(2) 7/8" X 3" X 38"	15.79°
(2) 2" X 3 1/2" X 71 1/2" Open RW	(2) 7/8" X 3" X 39 7/8"	20.48°
(1) 7/8" X 1 1/2" X 74 1/2"	(2) 7/8" X 3" X 42 3/8"	25.32°

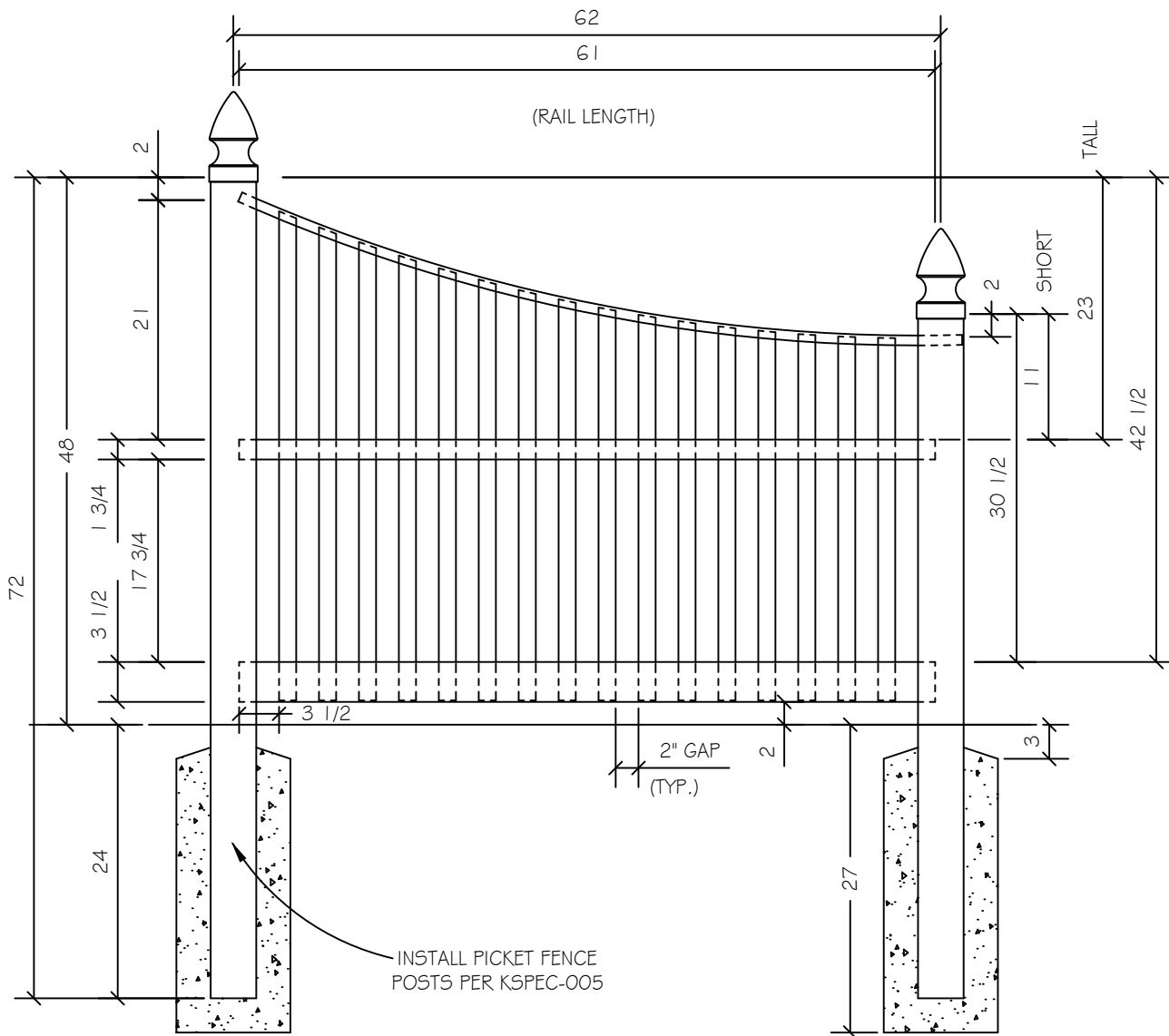


Ornamental Capped Picket Fence

2 inch Gap

REQ'D MATERIAL PER 5' SECTION

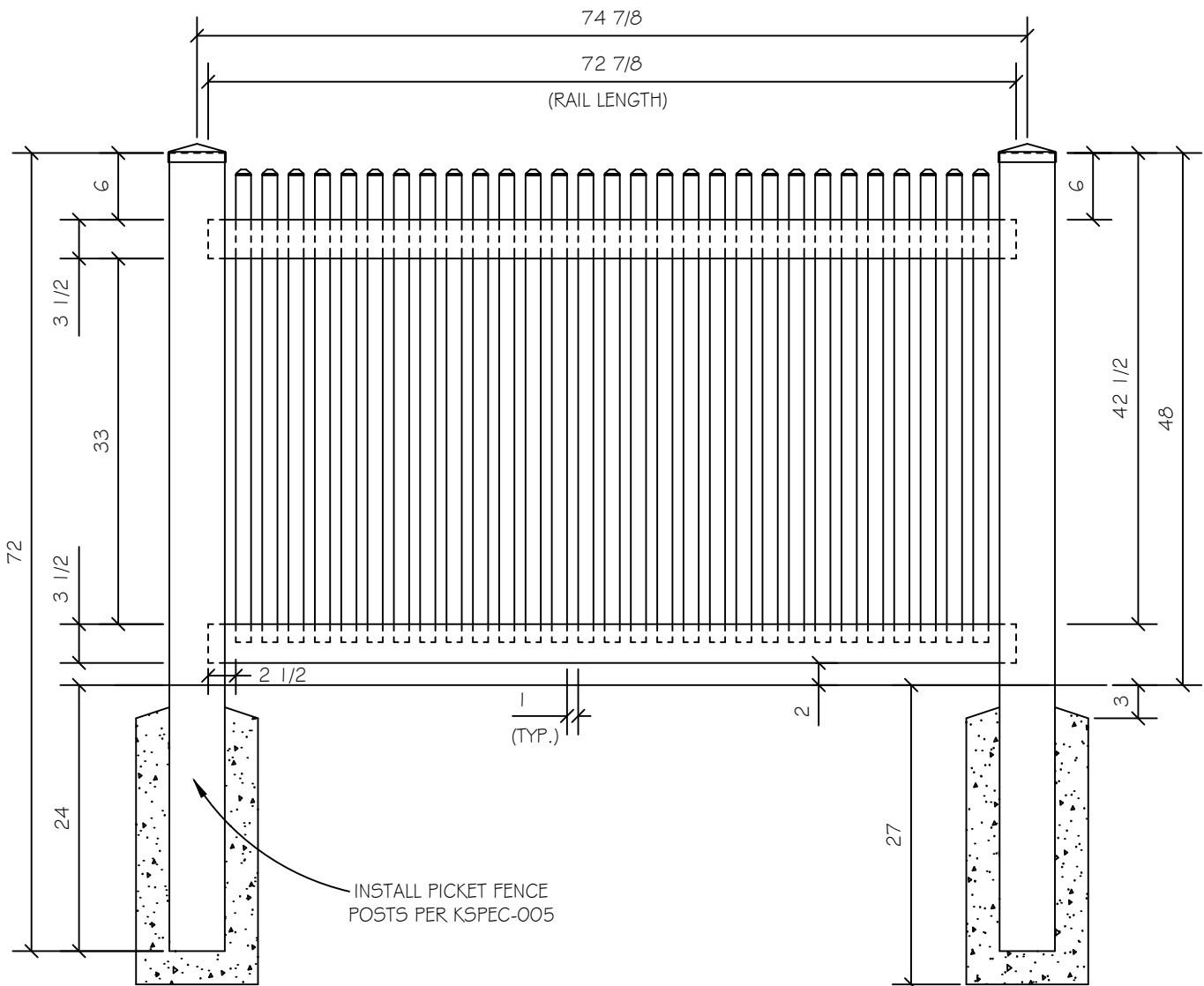
POST:	PICKET:	CUT ANGLE
(1) 4" X 4" X 72"	(1) 7/8" X 1 1/2" X 31 3/4"	1.08°
(1) 4" X 4" X 60"	(1) 7/8" X 1 1/2" X 31 7/8"	2.45°
POST CAP:	(1) 7/8" X 1 1/2" X 32 1/8"	3.82°
(2) 4" X 4" Gothic Cap	(1) 7/8" X 1 1/2" X 32 3/8"	5.20°
RAIL:	(1) 7/8" X 1 1/2" X 32 3/4"	6.57°
(1) 7/8" X 1 1/2" X 65"	(1) 7/8" X 1 1/2" X 33 1/4"	7.95°
(1) 1 3/4" X 1 3/4" X 61"	(1) 7/8" X 1 1/2" X 33 3/4"	9.34°
(1) 2" X 3 1/2" X 61" Open RW	(1) 7/8" X 1 1/2" X 34 3/8"	10.73°
	(1) 7/8" X 1 1/2" X 35 1/8"	12.13°
	(1) 7/8" X 1 1/2" X 36"	13.53°
	(1) 7/8" X 1 1/2" X 36 7/8"	14.94°
	(1) 7/8" X 1 1/2" X 37 7/8"	16.37°
	(1) 7/8" X 1 1/2" X 39"	17.80°
	(1) 7/8" X 1 1/2" X 40 1/8"	19.24°
	(1) 7/8" X 1 1/2" X 41 1/2"	20.70°
	(1) 7/8" X 1 1/2" X 42 7/8"	22.17°



4 ft Straight Routed Picket Fence 1 inch Gap

REQ'D MATERIAL PER 6' SECTION

- | | |
|--|--|
| POST:
(1) 5" X 5" X 72" | PICKET:
(29) 1 3/8" X 1 3/8" X 42" |
| POST CAP:
(1) 5" X 5" External Long Cap | PICKET CAP:
(29) 1 3/8" X 1 3/8" Sq Cap |
| RAIL:
(2) 2" X 3 1/2" X 72 7/8" Open RW | INSERT:
(1) 2" X 3 1/2" X 72 7/8" Alum Insrst Lg Bx P |

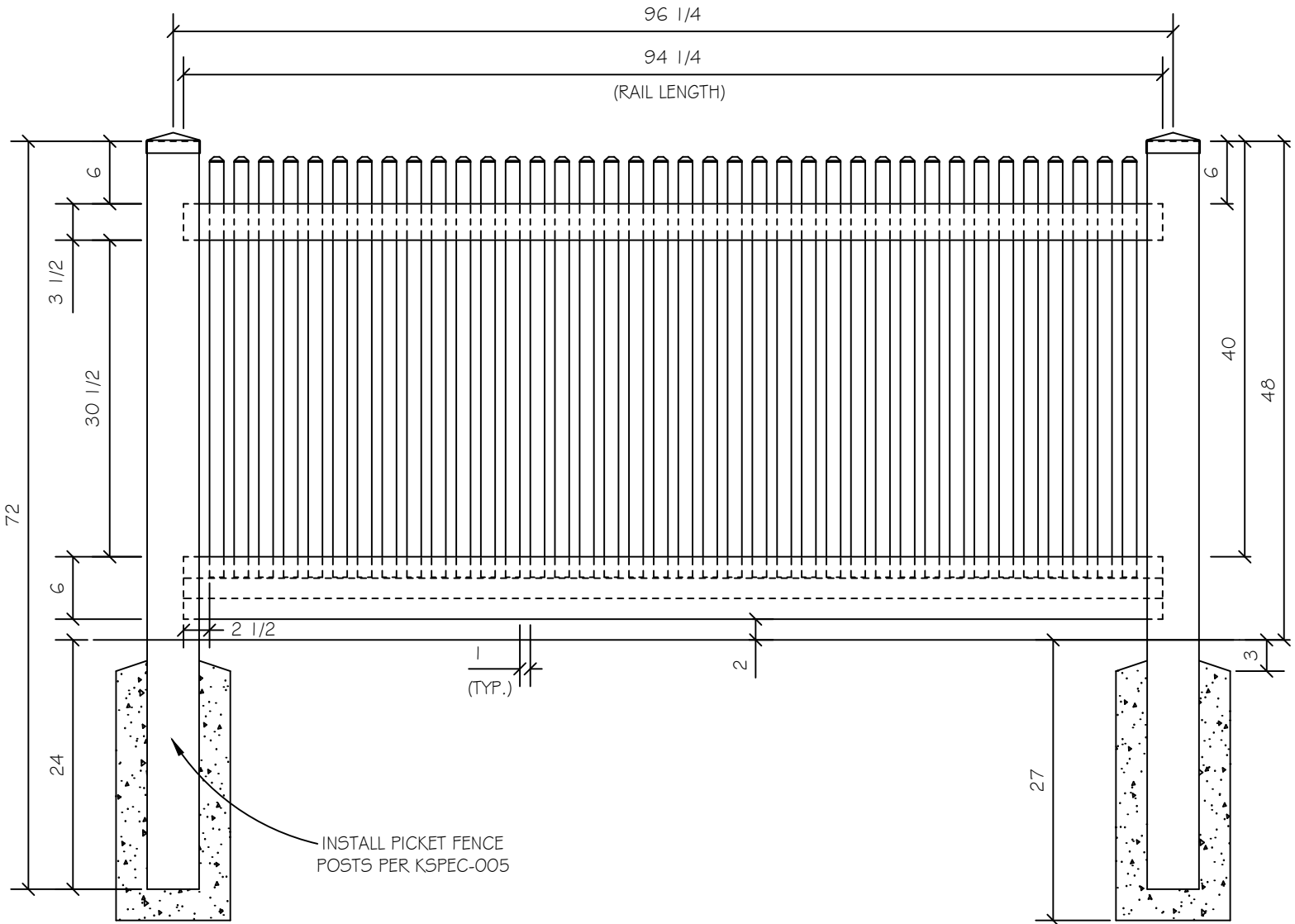


4 ft Straight Routed Picket Fence

1 inch Gap

REQ'D MATERIAL PER 8' SECTION

- | | |
|---|--|
| <p>POST:
(1) 5" X 5" X 72"</p> <p>POST CAP:
(1) 5" X 5" External Long Cap</p> <p>RAIL:
(1) 2" X 3 1/2" X 94 1/4" Open RW
(1) 2" X 6" X 94 1/4" Ribbed</p> | <p>PICKET:
(38) 1 3/8" X 1 3/8" X 40"</p> <p>PICKET CAP:
(38) 1 3/8" X 1 3/8" Sq Cap</p> |
|---|--|



INSTALL PICKET FENCE POSTS PER KSPEC-005

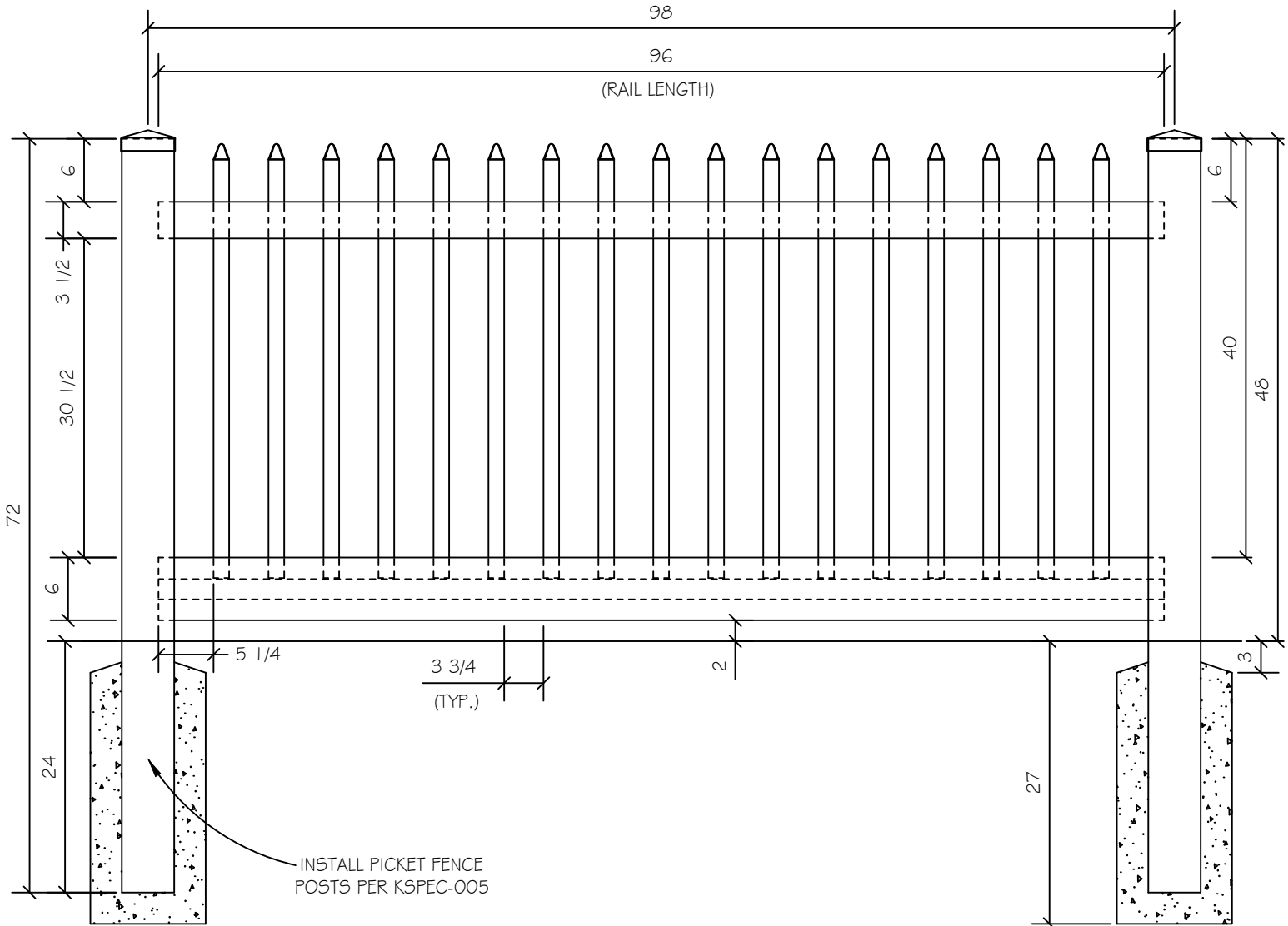
Section 4

4 ft Straight Routed Picket Fence

3 3/4 inch Gap

REQ'D MATERIAL PER 8' SECTION

- | | |
|---|--|
| POST:
(1) 5" X 5" X 72"
POST CAP:
(1) 5" X 5" External Long Cap
RAIL:
(1) 2" X 3 1/2" X 96" Open RW
(1) 2" X 6" X 96" Ribbed | PICKET:
(17) 7/8" X 1 1/2" X 40"
PICKET CAP:
(17) 7/8" X 1 1/2" Spade Cap |
|---|--|

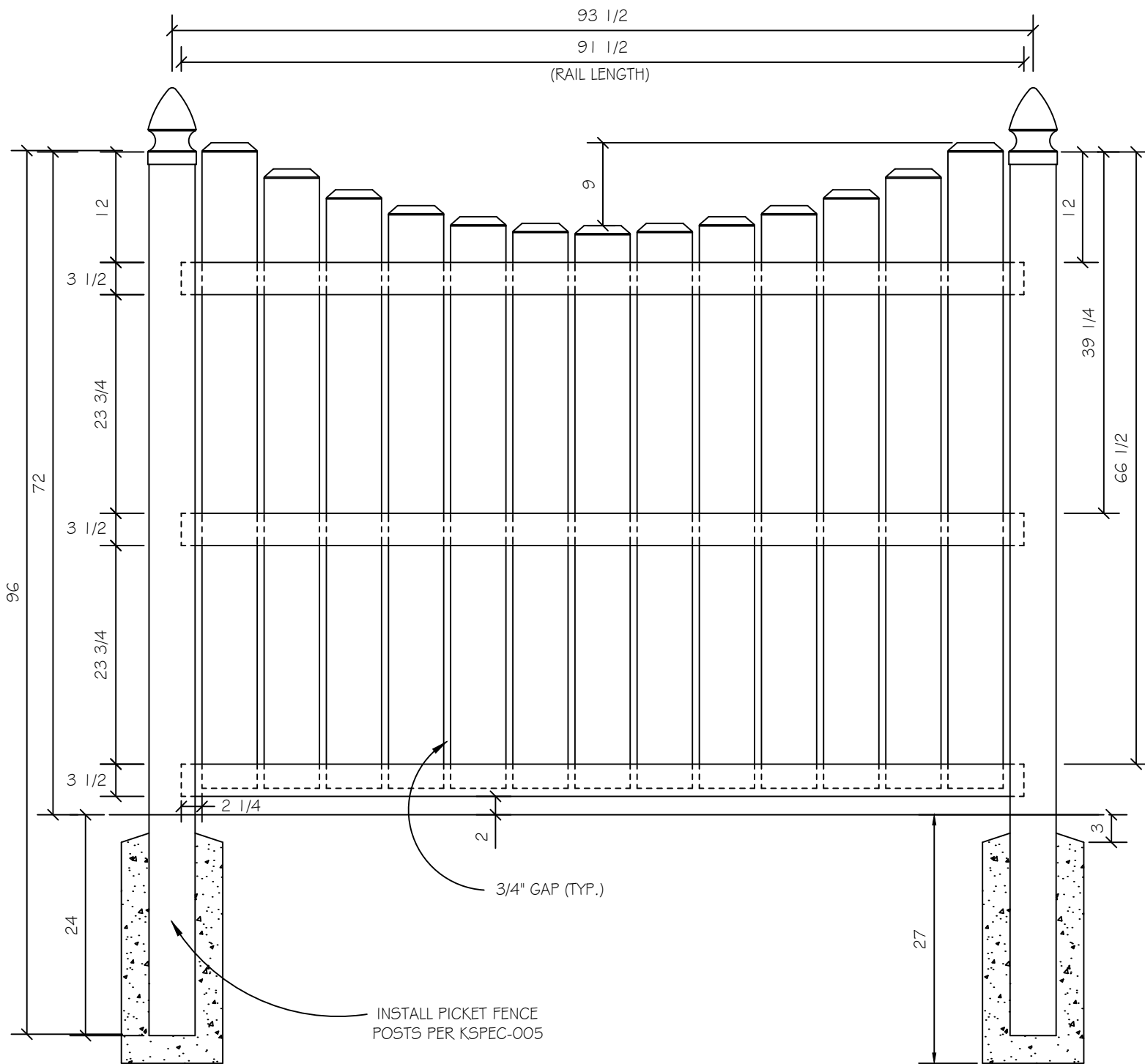


1 x 6 Scalloped Picket Fence

3/4 inch Gap

REQ'D MATERIAL PER 8' SECTION

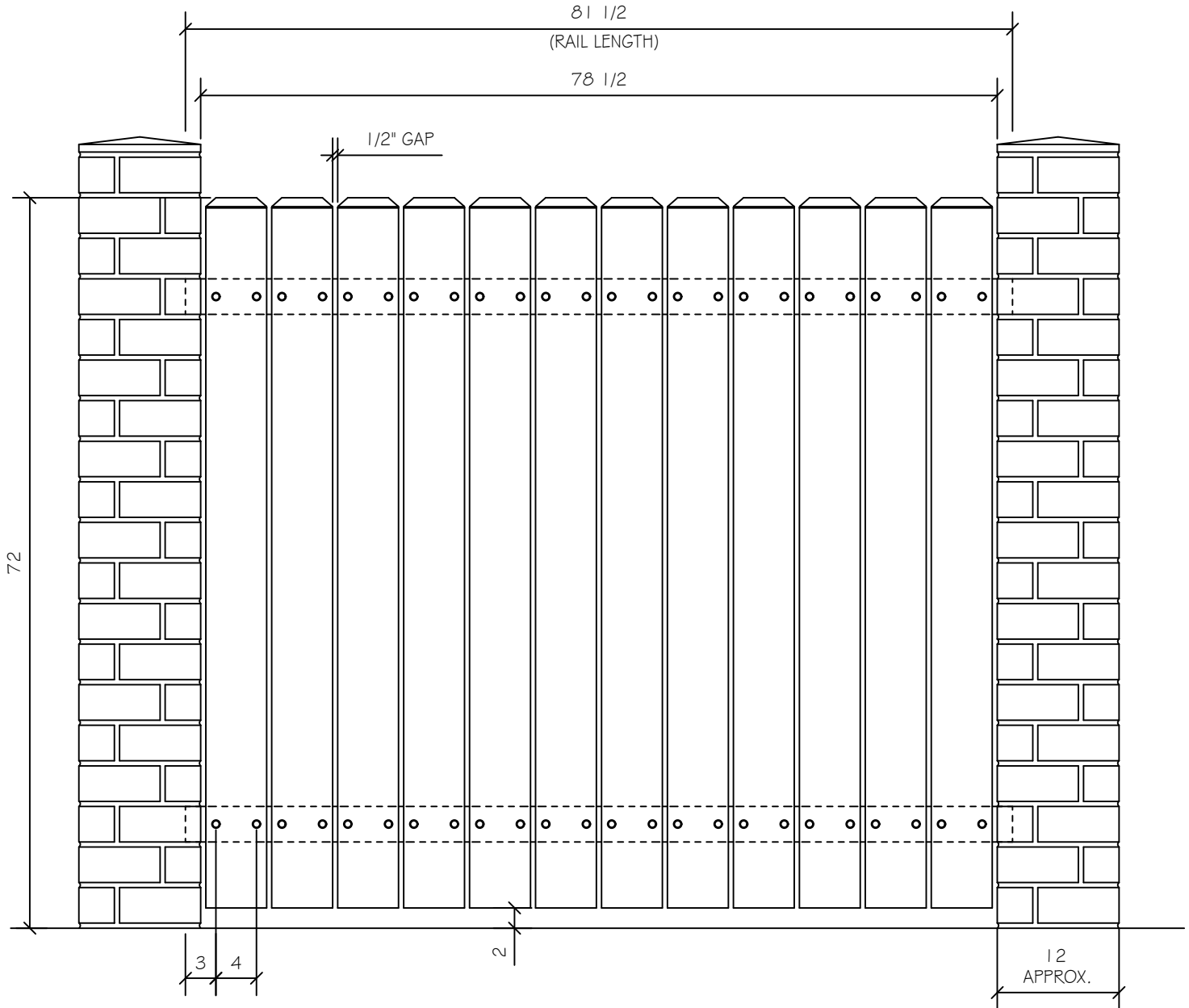
- | | |
|--|--------------------------------|
| POST: | PICKET: |
| (1) 5" X 5" X 96" | (1) 7/8" X 6" X 59" Ribbed |
| POST CAP: | (2) 7/8" X 6" X 59 1/4" Ribbed |
| (1) 5" X 5" Gothic Caps | (2) 7/8" X 6" X 60" Ribbed |
| RAIL: | (2) 7/8" X 6" X 61 1/8" Ribbed |
| (3) 2" X 3 1/2" X 91 1/2" Open RW | (2) 7/8" X 6" X 62 7/8" Ribbed |
| PICKET CAP: | (2) 7/8" X 6" X 65 1/8" Ribbed |
| (13) 7/8" X 6" Dog Ear Cap | (2) 7/8" X 6" X 68" Ribbed |
| INSERT: | |
| (1) 2 x 3 1/2 x 91 1/2 Alum Insrts Lg BX | |



1 x 6 Semi Privacy with Brick and Mortar (1/2 inch Gap)

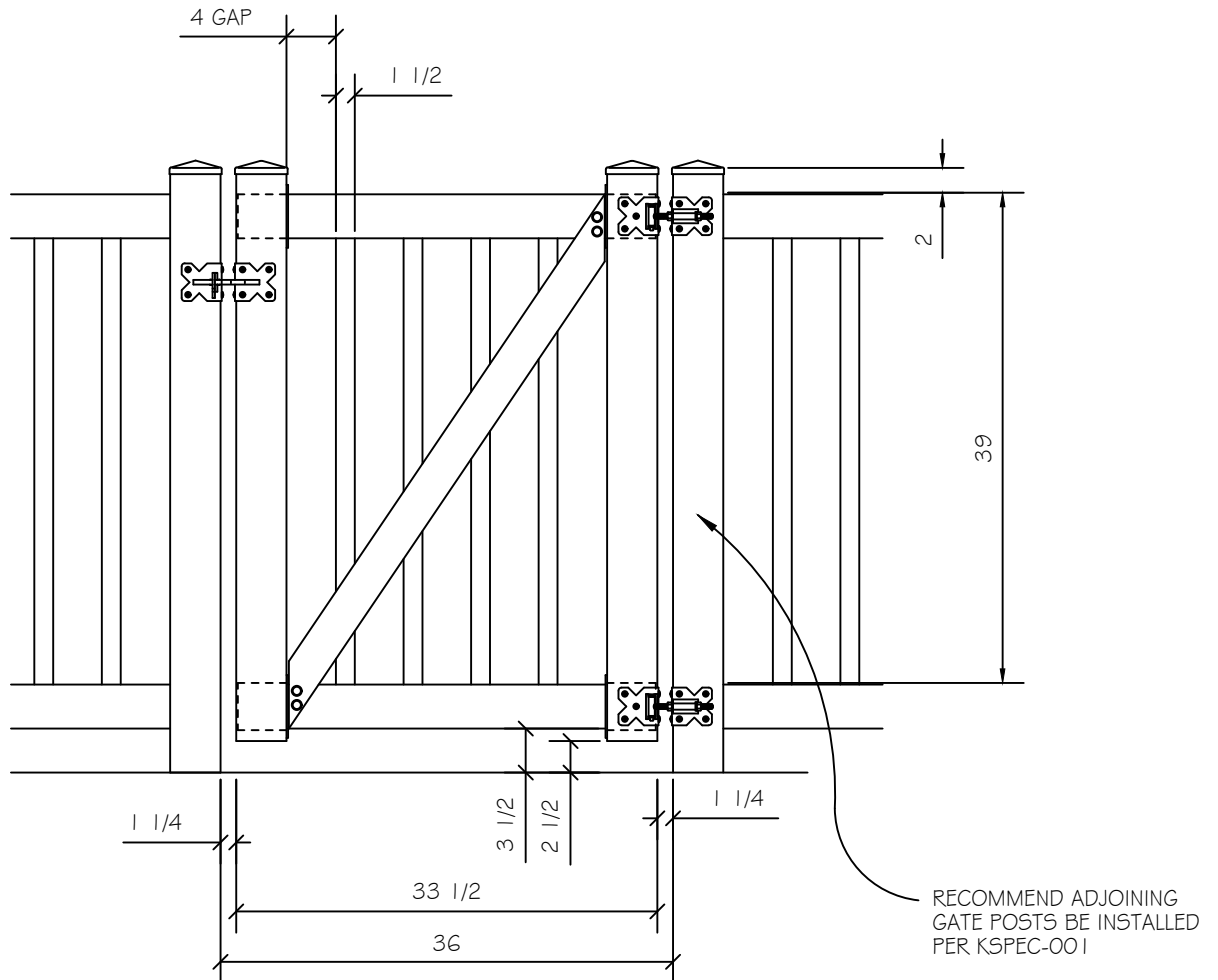
REQ'D MATERIAL PER 8' SECTION

- | | |
|--|--|
| RAIL:
(2) 2" X 3 1/2" X 81 1/2" Open RW | INSERT:
(1) 2 x 3 1/2 x 81 1/2 Alum Insrt L BX (P-Channel) |
| PICKET:
(12) 7/8" X 6" X 69" Ribbed | BRACKET:
(4) 2" X 3 1/2" Rail Pocket |
| PICKET CAP:
(12) 7/8" X 6" Dog Ear Cap | HARDWARE:
(48) #14 - 3/4" Square Dr Pan
(48) 5/8" Cap Plug |



4 ft x 3 ft Wide Closed Picket Gate with Rail Pockets

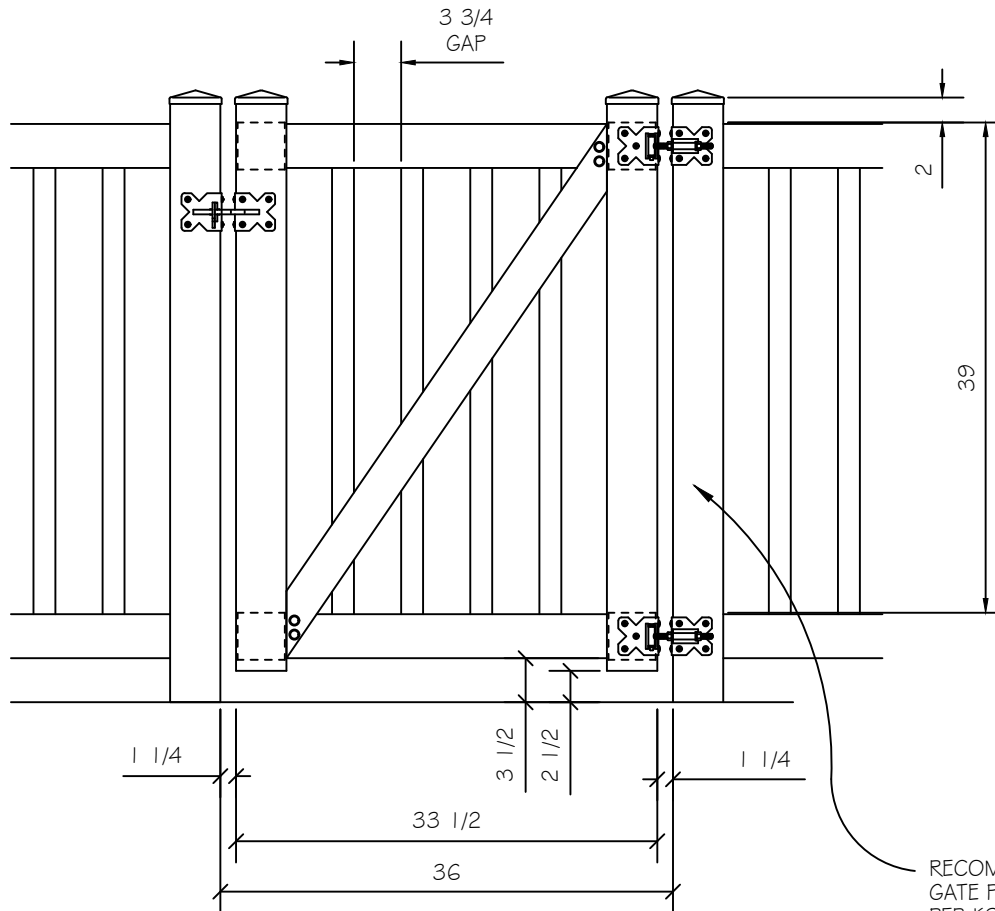
- | | |
|--------------------------------|------------------------------------|
| POST: | ACCESSORIES: |
| (2) 4 x 4 x 45 1/2 | (4) 2 x 3 1/2 Rail Pocket |
| POST CAP: | HARDWARE: |
| (2) 4 x 4 Decorative Cap | (2) 3 1/4" Res SS Hinge |
| RAIL: | (1) 2-Sided Activated SS Latch |
| (2) 2 x 3 1/2 x 33 1/8 Open RW | (28) 3/16" M Balbex Rivet 1/4" Grp |
| PICKET: | (4) 5/8" Cap Plug |
| (4) 7/8 x 1 1/2 x 42 | |
| DIAGONAL: | |
| (1) 7/8 x 3 x 49 1/4 | |



4 ft x 3 ft Wide Closed Picket Gate with Modified Rail Pockets

- POST:
 (2) 4 x 4 x 45 1/2
 POST CAP:
 (2) 4 x 4 Decorative Cap
 RAIL:
 (2) 2 x 3 1/2 x 33 1/8 Open RW
 PICKET:
 (4) 7/8 x 1 1/2 x 42
 DIAGONAL:
 (1) 7/8 x 3 x 49 1/4

- ACCESSORIES:
 (4) 2 x 3 1/2 Rail Pocket
 HARDWARE:
 (2) 3 1/4" Res SS Hinge
 (1) 2-Sided Activated SS Latch
 (16) 3/16" M Balbex Rivet 1/4" Grp
 (4) 5/8" Cap Plug

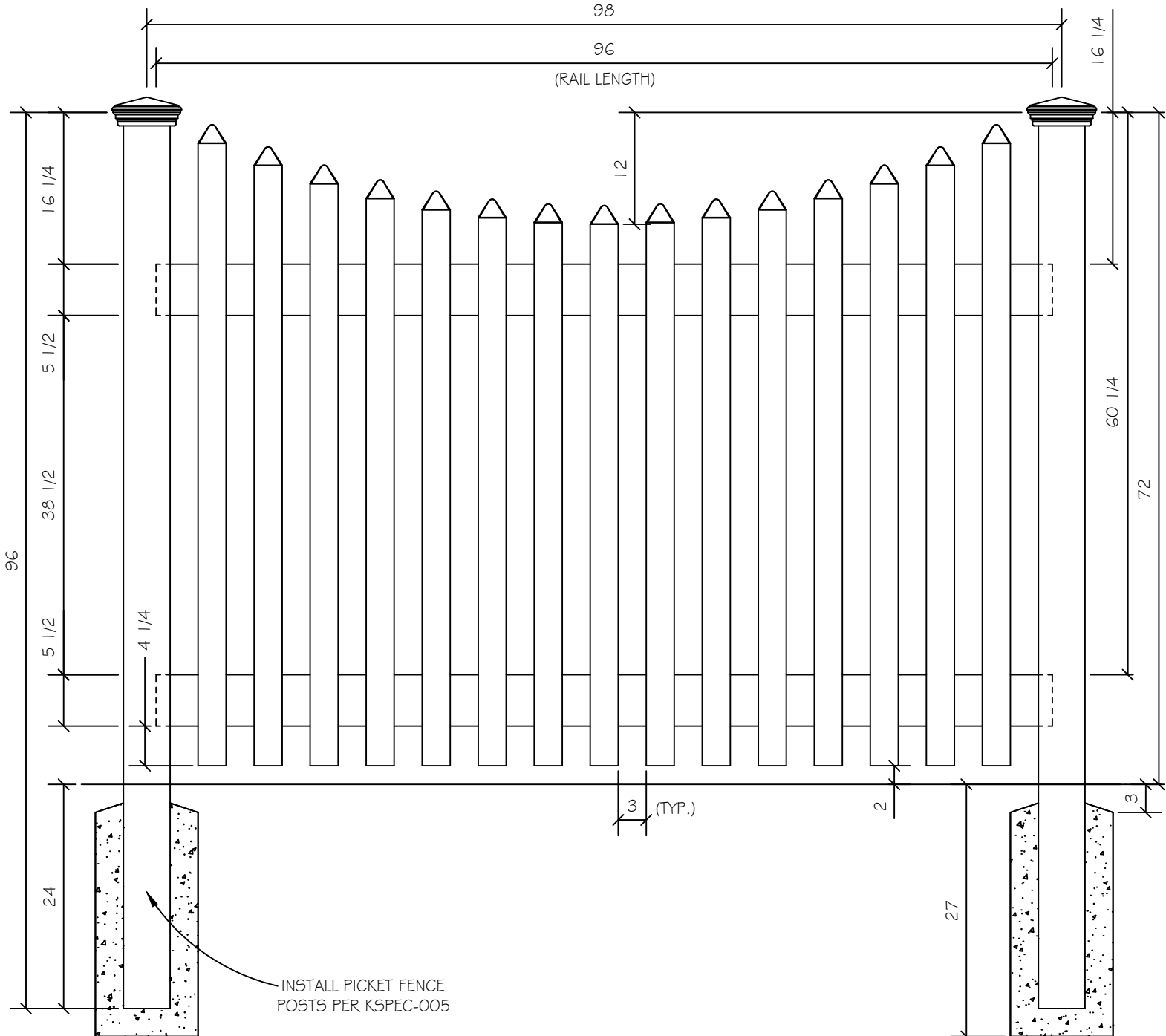


6 ft Scalloped Picket Fence

3 inch Gap

REQ'D MATERIAL PER 8' SECTION

- | | |
|------------------------------------|-------------------------|
| POST: | PICKET: |
| (1) 5" X 5" X 96" | (1) 7/8" X 3" X 58" |
| POST CAP: | (2) 7/8" X 3" X 58 1/4" |
| (1) 5" X 5" Classic Cap & Trim | (2) 7/8" X 3" X 58 5/8" |
| RAIL: | (2) 7/8" X 3" X 59 1/2" |
| (2) 1 1/2" X 5 1/2" X 96" Ribbed | (2) 7/8" X 3" X 60 3/4" |
| PICKET CAP: | (2) 7/8" X 3" X 62 3/8" |
| (15) 7/8" X 3" Spade Cap | (2) 7/8" X 3" X 64 3/8" |
| HARDWARE: | (2) 7/8" X 3" X 66 5/8" |
| (30) 5/8" Cap Plug | |
| (30) 3/16" M Balbex Rivet 1/4" Grp | |



3 1/2 ft x 8 ft Wide 3-Rail Gate

POST:

(2) 4 x 4 x 41 1/2

POST CAP:

(2) 4 x 4 Decorative Cap

RAIL:

(3) 1 1/2 x 5 1/2 x 91 5/8 Ribbed

(6) 1 1/2 x 5 1/2 Rail Pocket

DIAGONAL:

(1) 7/8 x 6 x 91 1/2 Ribbed

HARDWARE:

(1) 2-Sided Activated SS Latch

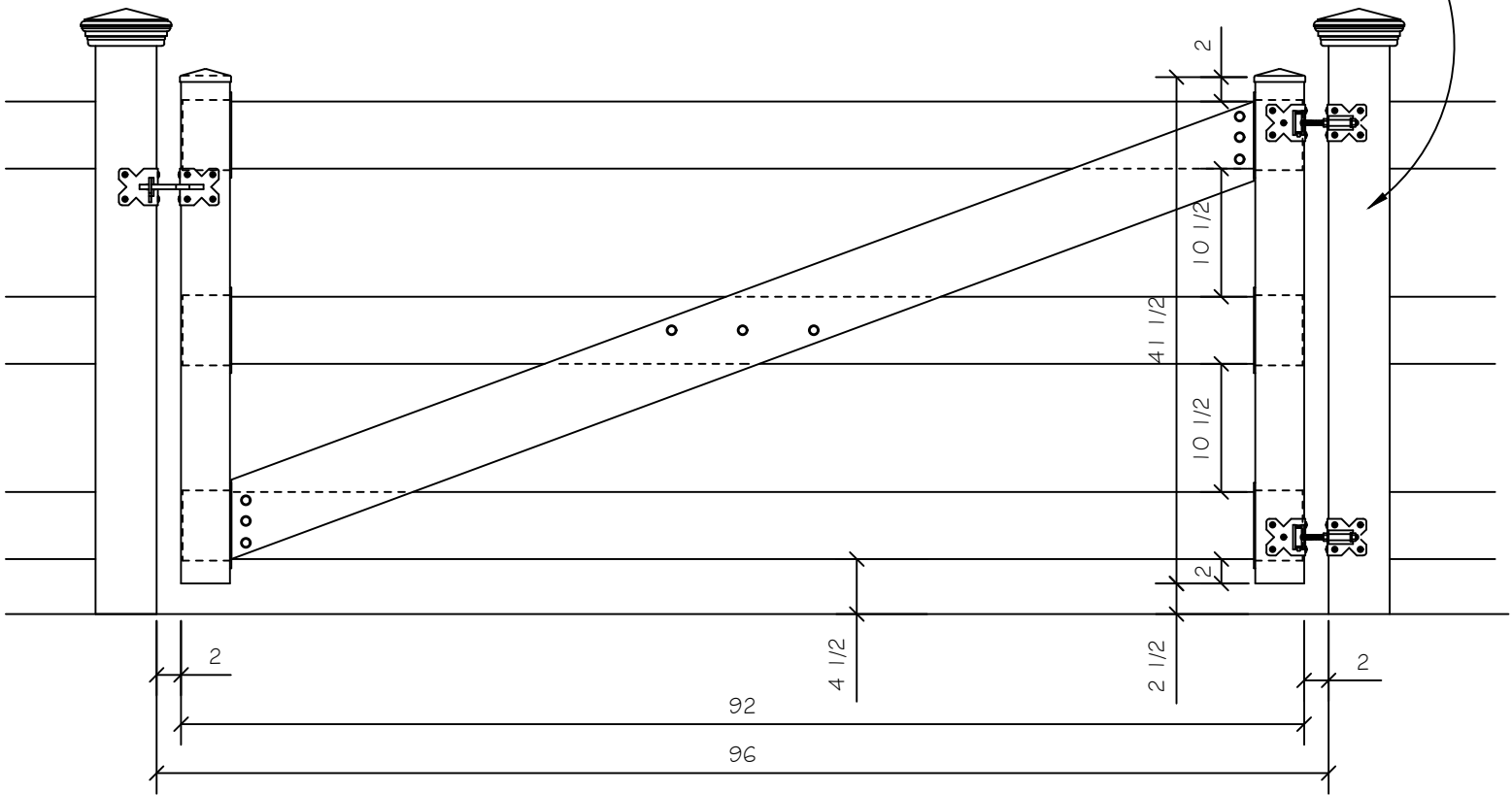
(2) 3 1/2" Self Close SS Hinge

(38) 3/16" M Balbex Rivet 1/4" Grp

(9) #14 - 3/4" Square Dr Pan

(9) 5/8" Cap Plug

RECOMMEND ADJOINING GATE POSTS BE INSTALLED PER KSPEC-001



3 1/2 ft x 8 ft Wide 3-Rail Gate

RAIL:

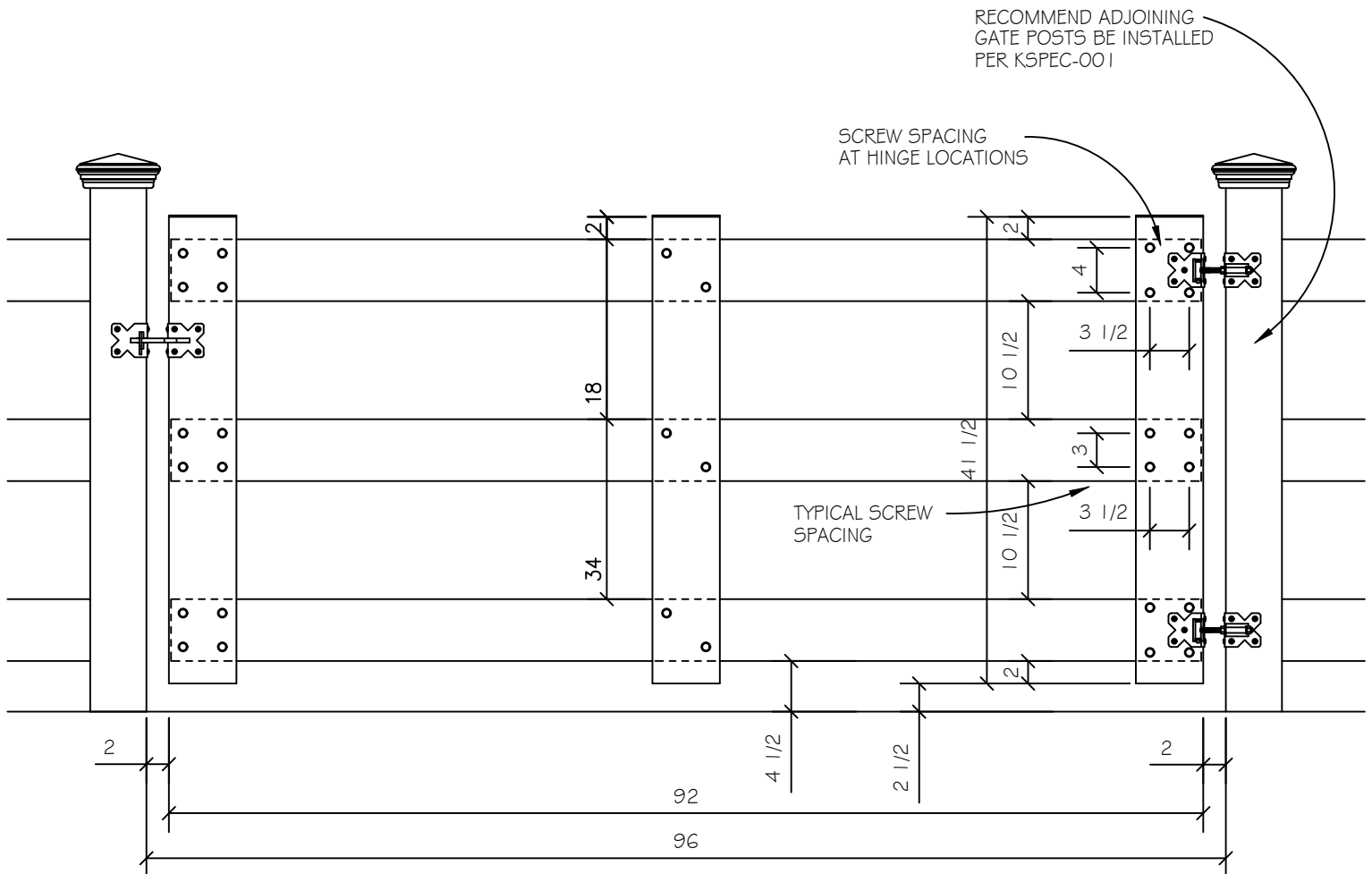
- (3) 1 1/2 x 5 1/2 x 91 5/8 Ribbed
- (3) 2 x 6 x 41 1/2 Open

ACCESSORIES:

- (3) 2 x 6 Open Flat Cap

HARDWARE:

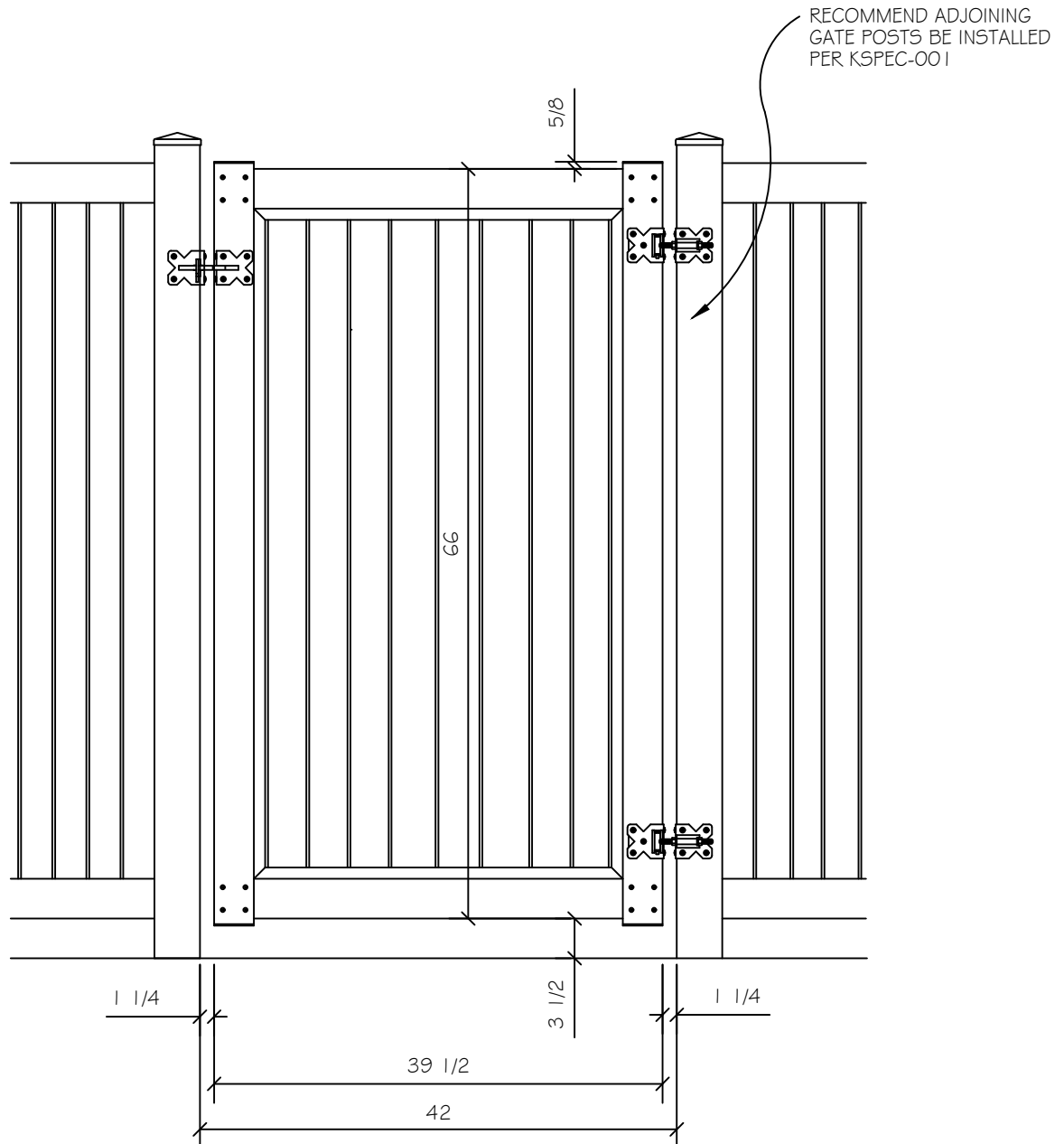
- (1) 2-Sided Activated SS Latch
- (2) 3 1/2" Self Close SS Hinge
- (30) #10 - 1" Self-Dr Sq Dr Pan SS
- (30) RH10 Snap Cap
- (30) RHW-103 Snap Washer



6 ft x 3 1/2 ft Wide Privacy Gate

- RAIL:
 (2) 1 3/4 x 3 1/2 x 39 Open
 (2) 2 x 3 1/2 x 67 Open RW
 PICKET:
 (4) 1 x 8 T&G x 58 1/2
 (2) 2 x 3 1/2 Open Flat Cap
 U-CHANNEL:
 (2) 1" U-Channel x 32 1/2"
 (2) 1" U-Channel x 59"

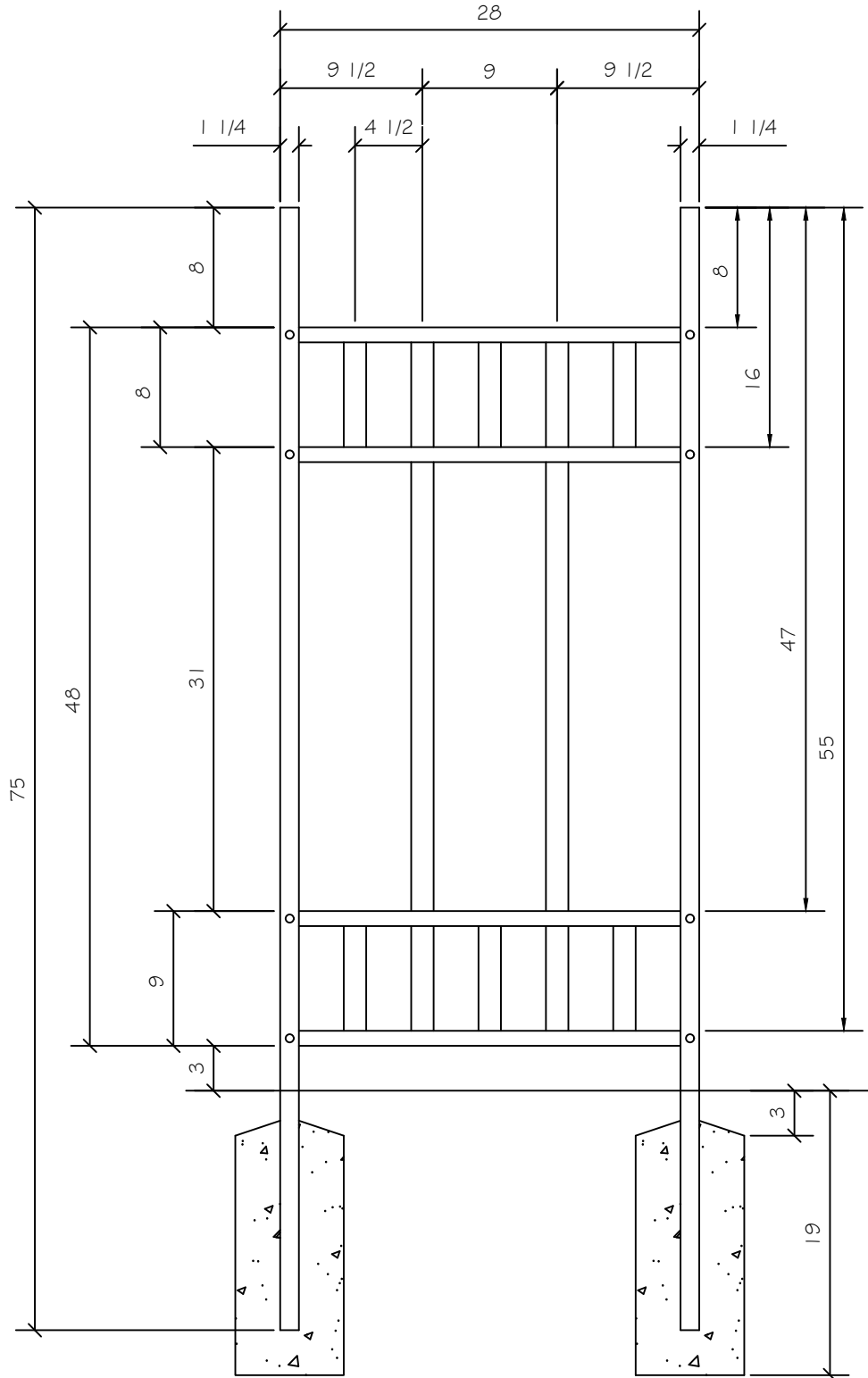
- HARDWARE:
 (1) 2-Sided Activated SS Latch
 (2) 3 1/2" Self Close SS Hinge
 (32) 3/16" M Balbex Rivet 1/4" Grp
 (12) #14 - 3/4" Square Dr Pan



Trellis

- POST:
 (2) 1 1/4" X 1 1/2" X 75"
 HORIZONTAL MEMBER:
 (4) 1" X 1" X 27 3/4"
 VERTICAL MEMBER:
 (2) 3/4" X 1 1/2" X 47 1/2"
 (6) 3/4" X 1 1/2" X 8 1/2"

- FASTENER:
 (10) #14 X 3/4" SQUARE DR PAN
 (10) RHW-103 SNAP WASHERS
 (10) RH10 SNAP CAP



5 ft Closed Picket Fence

3 inch Gap

REQ'D MATERIAL PER 6' SECTION

POST:

(1) 4" X 4" X 84"

POST CAP:

(1) 4" X 4" Decorative Cap

RAIL:

(1) 2" X 3 1/2" X 70" Open RW

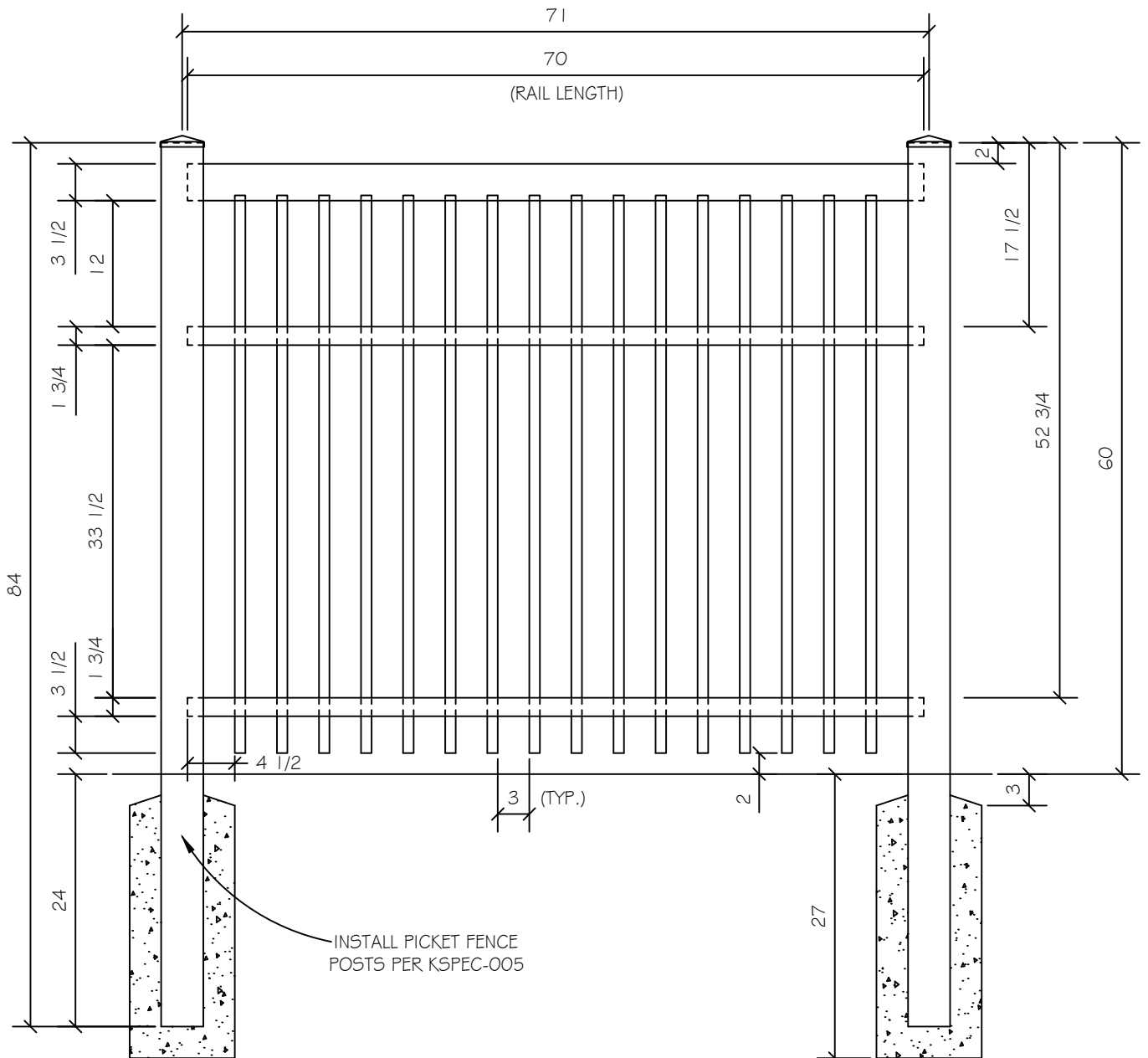
(2) 1 3/4" X 1 3/4" X 70"

INSERT:

(1) 2" X 3 1/2" X 70" Alum Insrt L BX

PICKET:

(16) 1" X 1" X 52 7/8"

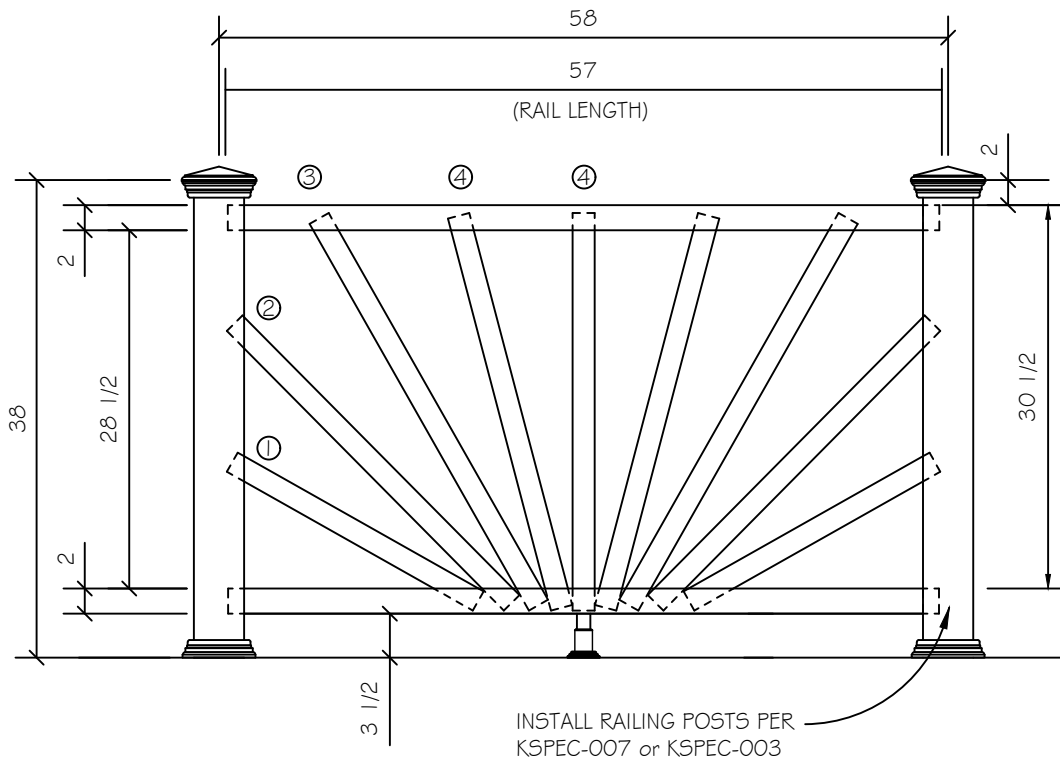


Section 14

3 ft High Sunburst Porch Rail

- | | |
|--|---|
| POST:
(1) 4" x 4" x 38" | SUNBURST:
(3) 1-3/4" x 1-3/4" x 31-3/4" ④ |
| POST CAP ASSEMBLY:
(1) 4" x 4" Classic Cap
(1) 4" x 4" Classic Trim | (2) 1-3/4" x 1-3/4" x 32-1/2" ③
(2) 1-3/4" x 1-3/4" x 35-1/2" ②
(2) 1-3/4" x 1-3/4" x 23" ① |
| POST BASE TRIM:
(1) 4" x 4" Classic Trim | FOOTBLOCK:
(1) Adjustable Footblock |
| RAIL:
(2) 2" x 3-1/2" x 57" Open RW | |

NOT INTENDED FOR PORCH RAIL SYSTEMS GREATER THAN 30" OFF THE GROUND. NOT TO BE USED FOR PORCH RAIL SYSTEMS THAT EXCEED EITHER THE RAIL HEIGHT OR THE RAIL LENGTH SHOWN IN THIS DRAWING.



Arbor Gate with 1 3/8 Pickets

PARTS FOR GATE:

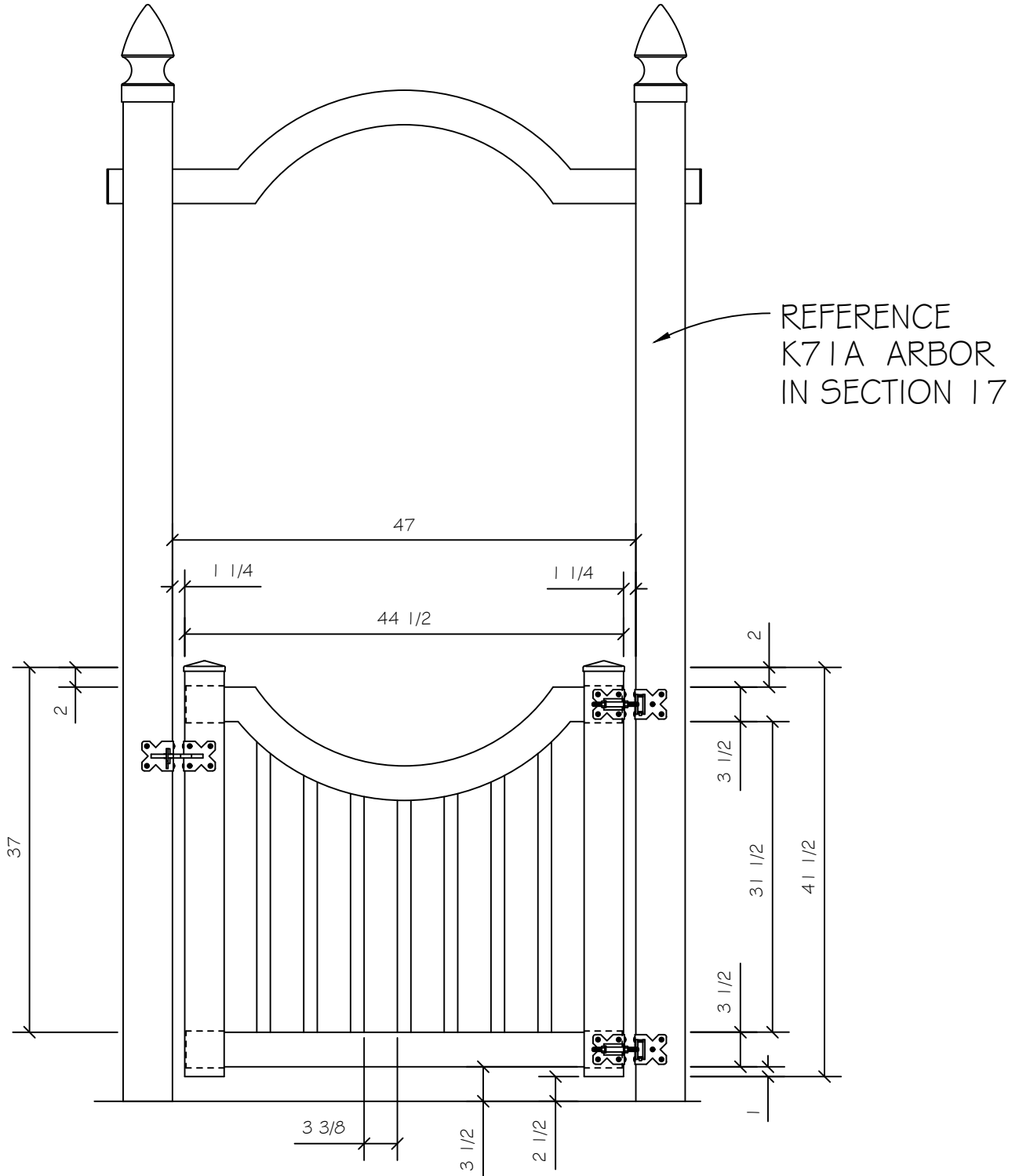
- POST:**
 (2) 4" X 4" X 4 1/2"
- POST CAP:**
 (2) 4 X 4 DECORATIVE CAP
- RAIL:**
 (1) 2" X 3 1/2" X 44" OPEN RW
 (1) 2" X 3 1/2" X 44" ARBOR ARCH
 (4) 2" X 3 1/2" RAIL POCKET

PICKET:

- (1) 1 3/8 X 1 3/8 X 30"
 (2) 1 3/8 X 1 3/8 X 30 3/8"
 (2) 1 3/8 X 1 3/8 X 32 1/8"
 (2) 1 3/8 X 1 3/8 X 35 1/2"

HARDWARE:

- (2) 3 1/4" RES SS HINGE
 (1) 2-SIDED ACTIVATED SS LATCH
 (16) 3/16" W BALBEX RIVET 1/4" GRP



5 ft Classic Straight Picket Fence

2 1/8 inch Gap

PER 8 FOOT SECTION

POST:

(1) 5" X 5" X 84"

POST CAP:

(1) 5" X 5" Classic Cap & Trim

RAIL:

(1) 2" X 6" X 92 5/8" Ribbed

(2) 2" X 3 1/2" X 92 5/8" Open RW

PICKET CAP:

(25) 1 3/8" X 1 3/8" Sq Cap

PICKET:

(12) 1 3/8" X 1 3/8" X 50 1/2"

(2) 1 3/8" X 1 3/8" X 25"

(2) 1 3/8" X 1 3/8" X 23 1/2"

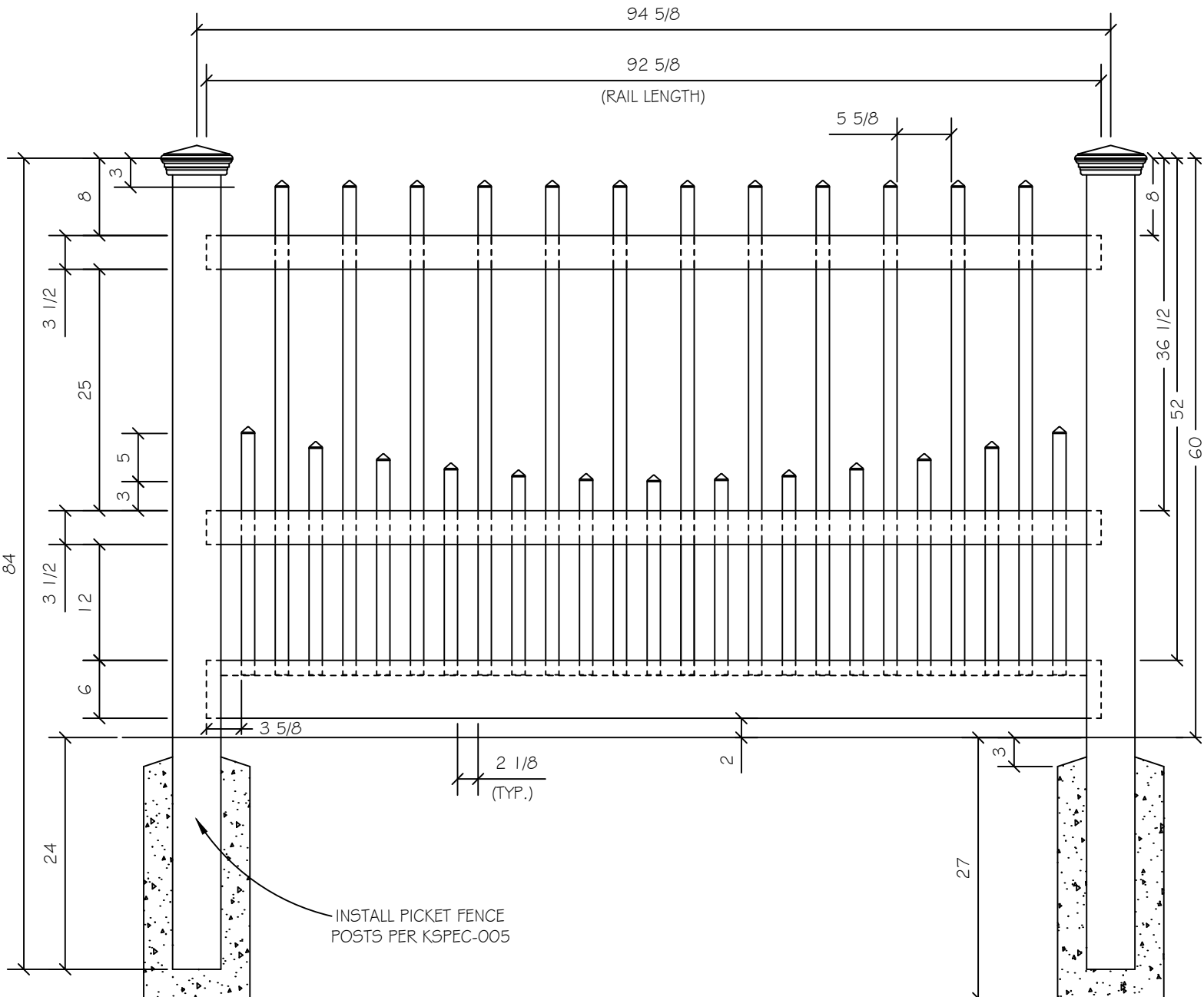
(2) 1 3/8" X 1 3/8" X 22 1/4"

(2) 1 3/8" X 1 3/8" X 21 1/4"

(2) 1 3/8" X 1 3/8" X 20 1/2"

(2) 1 3/8" X 1 3/8" X 20 1/8"

(1) 1 3/8" X 1 3/8" X 20"



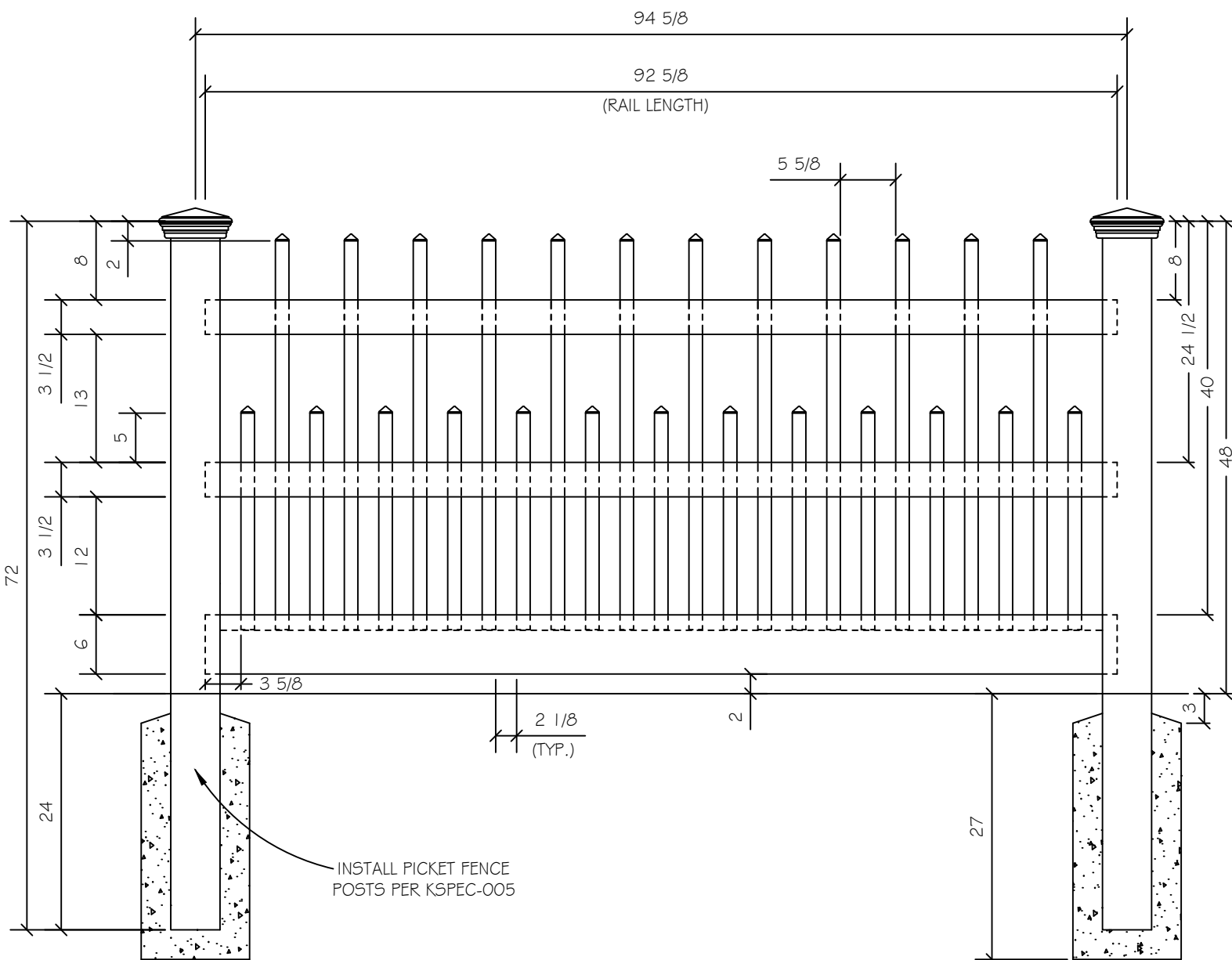
4 ft Classic Straight Picket Fence

2 1/8 inch Gap

Optional Matching End Section K199

PER 8 FOOT SECTION

- | | |
|-----------------------------------|--------------------------------|
| POST: | PICKET: |
| (1) 5" X 5" X 72" | (12) 1 3/8" X 1 3/8" X 39 1/2" |
| POST CAP: | (13) 1 3/8" X 1 3/8" X 22" |
| (1) 5" X 5" Classic Cap & Trim | PICKET CAP: |
| RAIL: | (25) 1 3/8" X 1 3/8" Sq Cap |
| (1) 2" X 6" X 92 5/8" Ribbed | |
| (2) 2" X 3 1/2" X 92 5/8" Open RW | |



Section 4

Classic Drop Rail Picket Fence

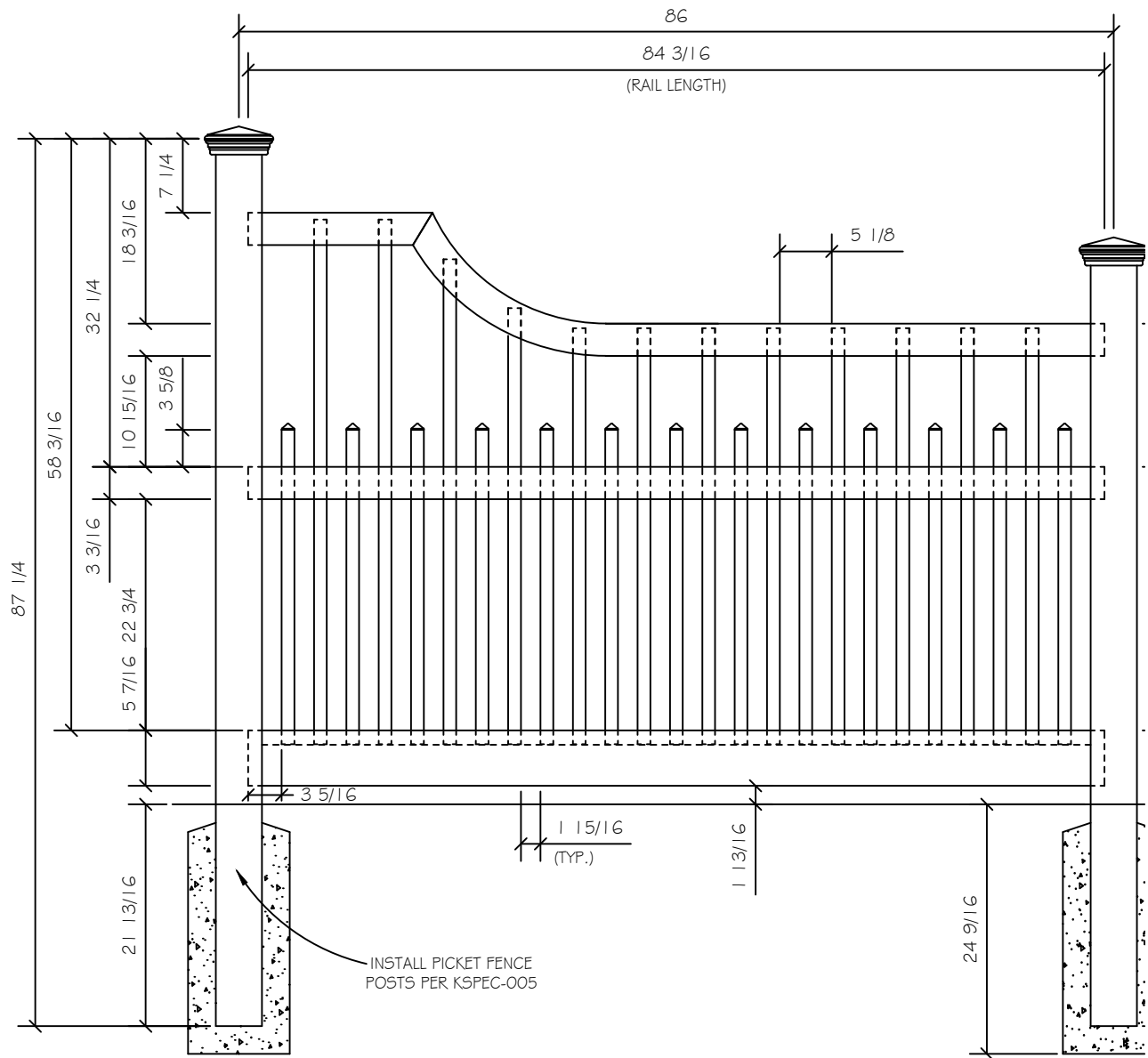
2 1/8 inch Gap

For end of K98 fence



- POST:**
 (1) 5" X 5" X 96"
 (1) 5" X 5" X 84"
POST CAP:
 (1) 5" X 5" Classic Cap & Trim
RAIL:
 (1) 2" X 6" X 92 5/8" Ribbed
 (1) 2" X 3 1/2" X 92 5/8" Open RW
 (1) 8' 12" Single Rail Rtd for 1 3/8" - 1 Side

- PICKET:**
 (2) 1 3/8" X 1 3/8" X 57"
 (1) 1 3/8" X 1 3/8" X 52 1/2"
 (1) 1 3/8" X 1 3/8" X 47"
 (8) 1 3/8" X 1 3/8" X 45"
 (13) 1 3/8" X 1 3/8" X 34"
PICKET CAP:
 (13) 1 3/8" X 1 3/8" Sq Cap

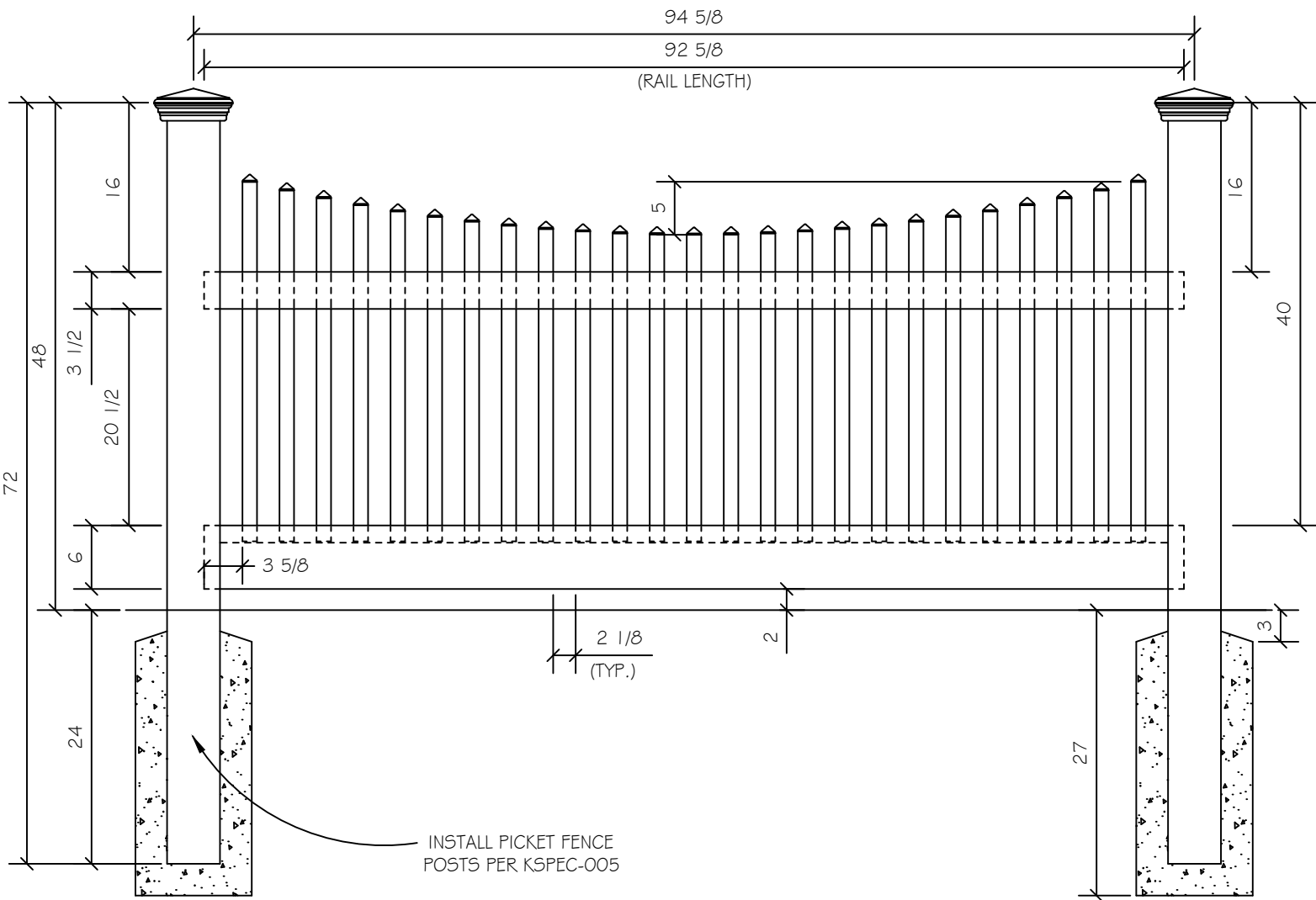


4 ft Classic Scallop Picket Fence

2 1/8 inch Gap

REQ'D MATERIAL PER 8' SECTION

POST:	PICKET:
(1) 5" X 5" X 72"	(2) 1 3/8" X 1 3/8" X 34"
POST CAP:	(2) 1 3/8" X 1 3/8" X 33 1/4"
(1) 5" X 5" Classic Cap & Trim	(2) 1 3/8" X 1 3/8" X 32 1/2"
RAIL:	(2) 1 3/8" X 1 3/8" X 31 3/4"
(1) 2" X 3 1/2" X 92 5/8" Open RW	(2) 1 3/8" X 1 3/8" X 31 1/4"
(1) 2" X 6" X 92 5/8" Ribbed	(2) 1 3/8" X 1 3/8" X 30 3/4"
PICKET CAP:	(2) 1 3/8" X 1 3/8" X 30 1/4"
(25) 1 3/8" X 1 3/8" Sq Cap	(2) 1 3/8" X 1 3/8" X 29 7/8"
	(2) 1 3/8" X 1 3/8" X 29 1/2"
	(2) 1 3/8" X 1 3/8" X 29 1/4"
	(2) 1 3/8" X 1 3/8" X 29 1/8"
	(3) 1 3/8" X 1 3/8" X 29"



6 ft Classic Scallop Picket Fence

2 1/8 inch Gap

REQ'D MATERIAL PER 8' SECTION

POST:

(1) 5" X 5" X 96"

POST CAP:

(1) 5" X 5" Classic Cap & Trim

RAIL:

(1) 2" X 3 1/2" X 92 5/8" Open RW

(1) 2" X 6" X 92 5/8" Ribbed

PICKET CAP:

(25) 1 3/8" X 1 3/8" Sq Cap

PICKET:

(2) 1 3/8" X 1 3/8" X 58"

(2) 1 3/8" X 1 3/8" X 57 1/4"

(2) 1 3/8" X 1 3/8" X 56 1/2"

(2) 1 3/8" X 1 3/8" X 55 3/4"

(2) 1 3/8" X 1 3/8" X 55 1/4"

(2) 1 3/8" X 1 3/8" X 54 3/4"

(2) 1 3/8" X 1 3/8" X 54 1/4"

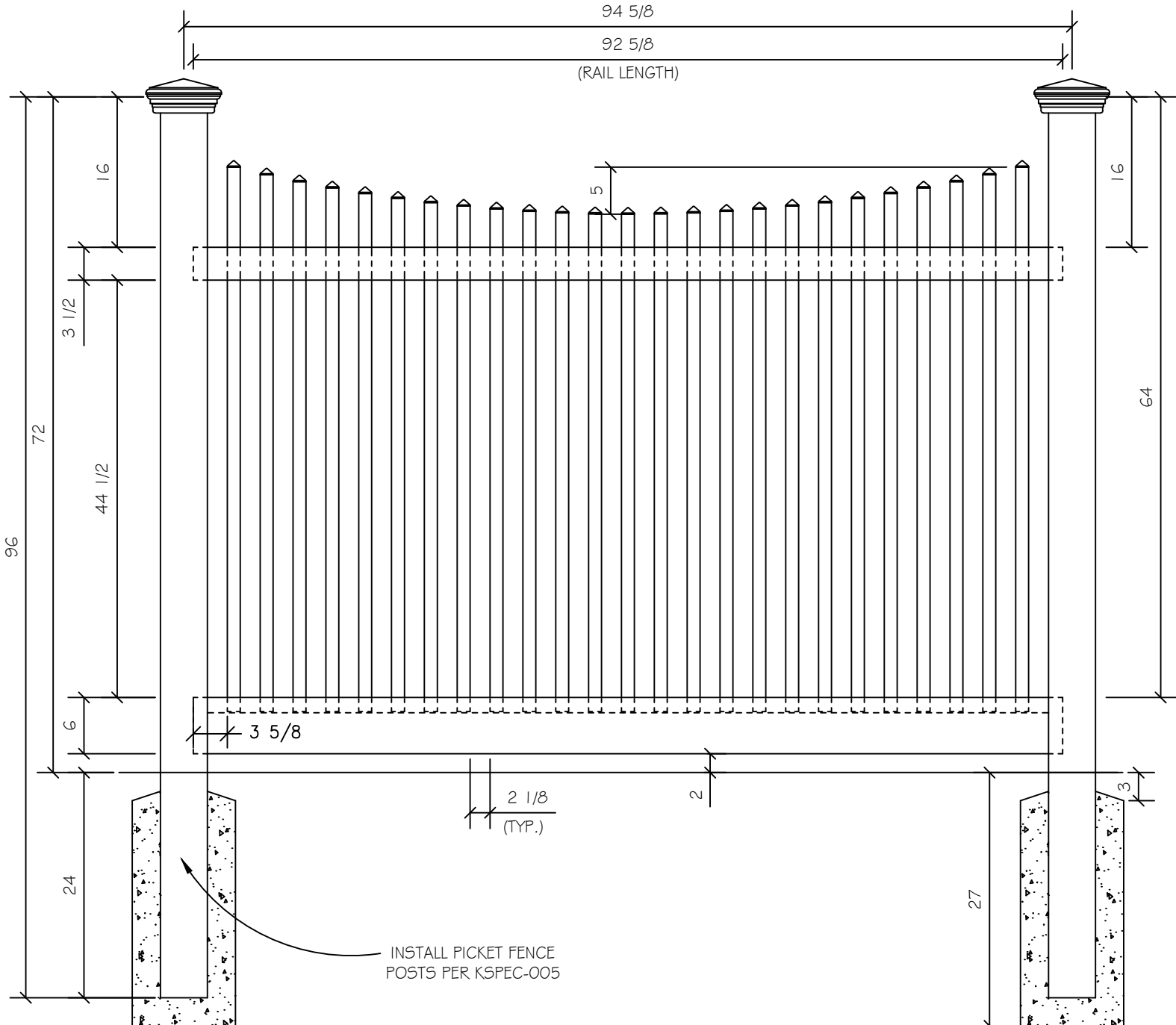
(2) 1 3/8" X 1 3/8" X 53 7/8"

(2) 1 3/8" X 1 3/8" X 53 1/2"

(2) 1 3/8" X 1 3/8" X 53 1/4"

(2) 1 3/8" X 1 3/8" X 53 1/8"

(3) 1 3/8" X 1 3/8" X 53"

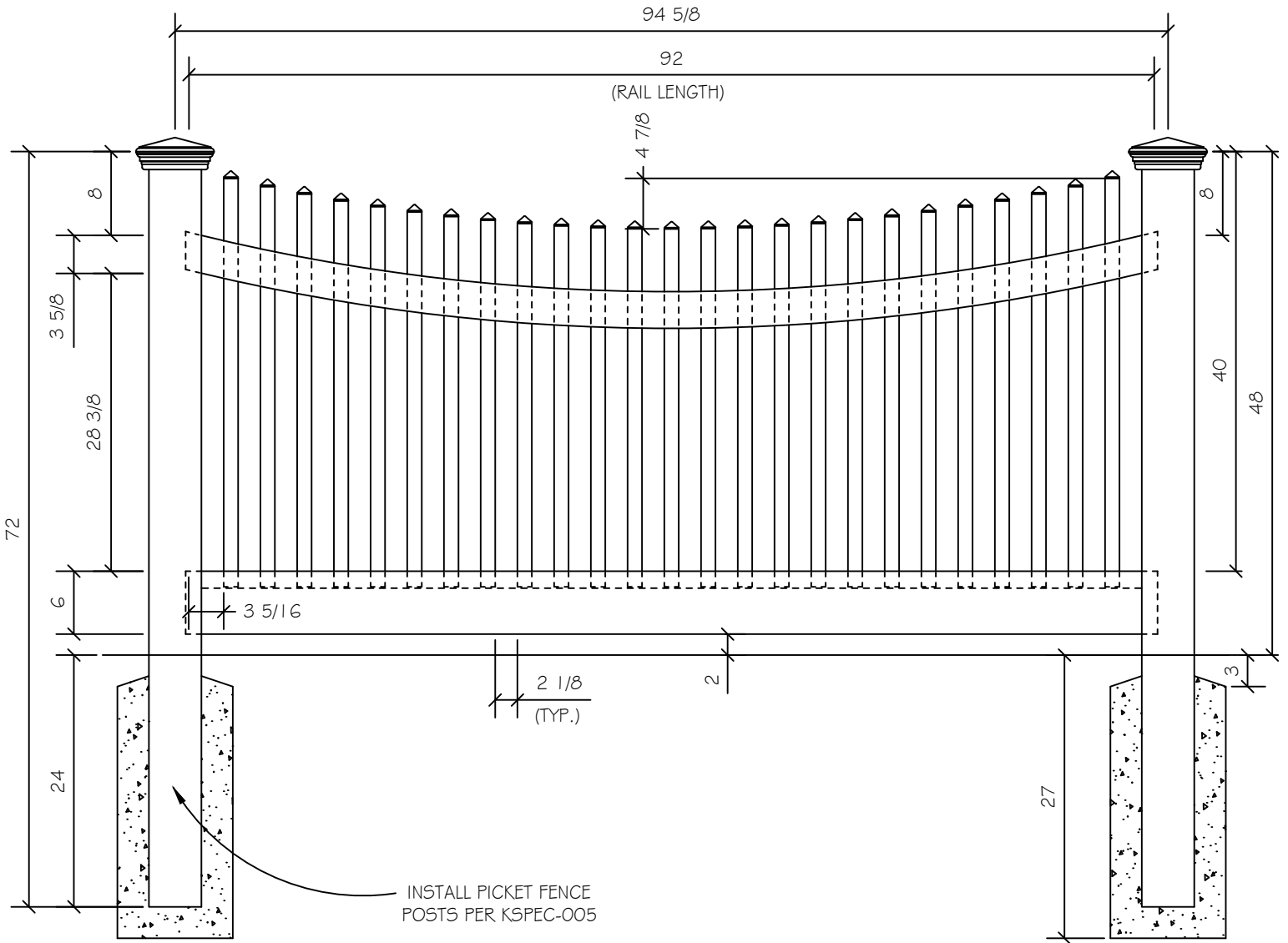


4 ft Classic Scallop Picket Fence

2 1/8 inch Gap

REQ'D MATERIAL PER 8' SECTION

- | | |
|--------------------------------|-------------------------------|
| POST: | PICKET: |
| (1) 5" X 5" X 72" | (2) 1 3/8" X 1 3/8" X 39" |
| POST CAP: | (2) 1 3/8" X 1 3/8" X 38 1/4" |
| (1) 5" X 5" Classic Cap & Trim | (2) 1 3/8" X 1 3/8" X 37 1/2" |
| RAIL: | (2) 1 3/8" X 1 3/8" X 36 5/8" |
| (1) 2" X 6" X 92" Ribbed | (2) 1 3/8" X 1 3/8" X 36 1/4" |
| (1) 2 x 3 1/2 8' - 6" Drop | (2) 1 3/8" X 1 3/8" X 35 3/4" |
| PICKET CAP: | (2) 1 3/8" X 1 3/8" X 35 1/4" |
| (25) 1 3/8" X 1 3/8" Sq Cap | (2) 1 3/8" X 1 3/8" X 35" |
| | (2) 1 3/8" X 1 3/8" X 34 5/8" |
| | (2) 1 3/8" X 1 3/8" X 34 1/2" |
| | (2) 1 3/8" X 1 3/8" X 34 1/4" |
| | (3) 1 3/8" X 1 3/8" X 34 1/8" |



5 ft Classic Routed Picket Fence

2 1/8 inch Gap

POST:

(1) 5" X 5" X 84"

POST CAP:

(1) 5" X 5" Classic Cap & Trim

RAIL:

(1) 2" X 6" X 92 5/8" Ribbed

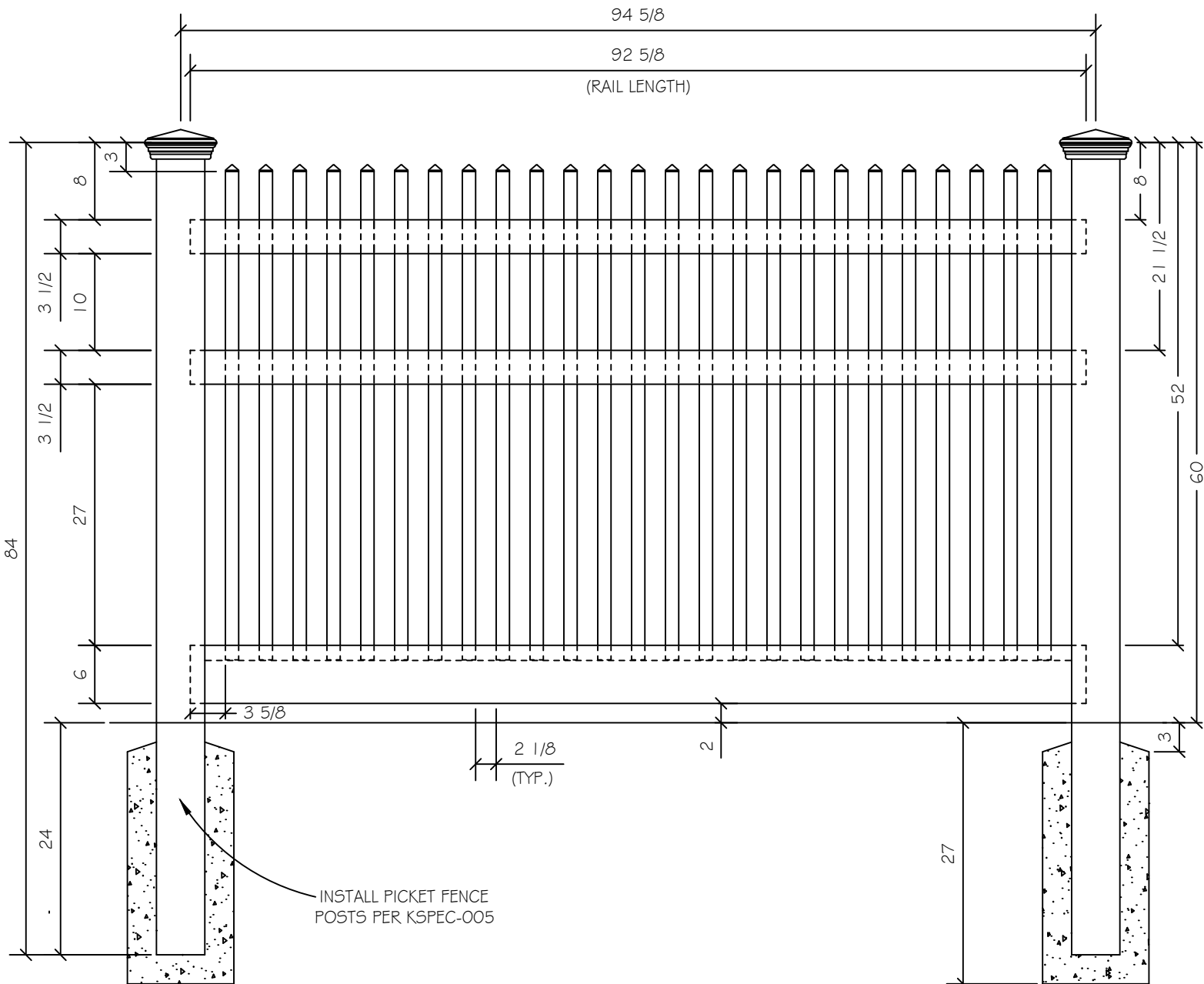
(2) 2" X 3 1/2" X 92 5/8" Open RW

PICKET:

(25) 1 3/8" X 1 3/8" X 50 1/2"

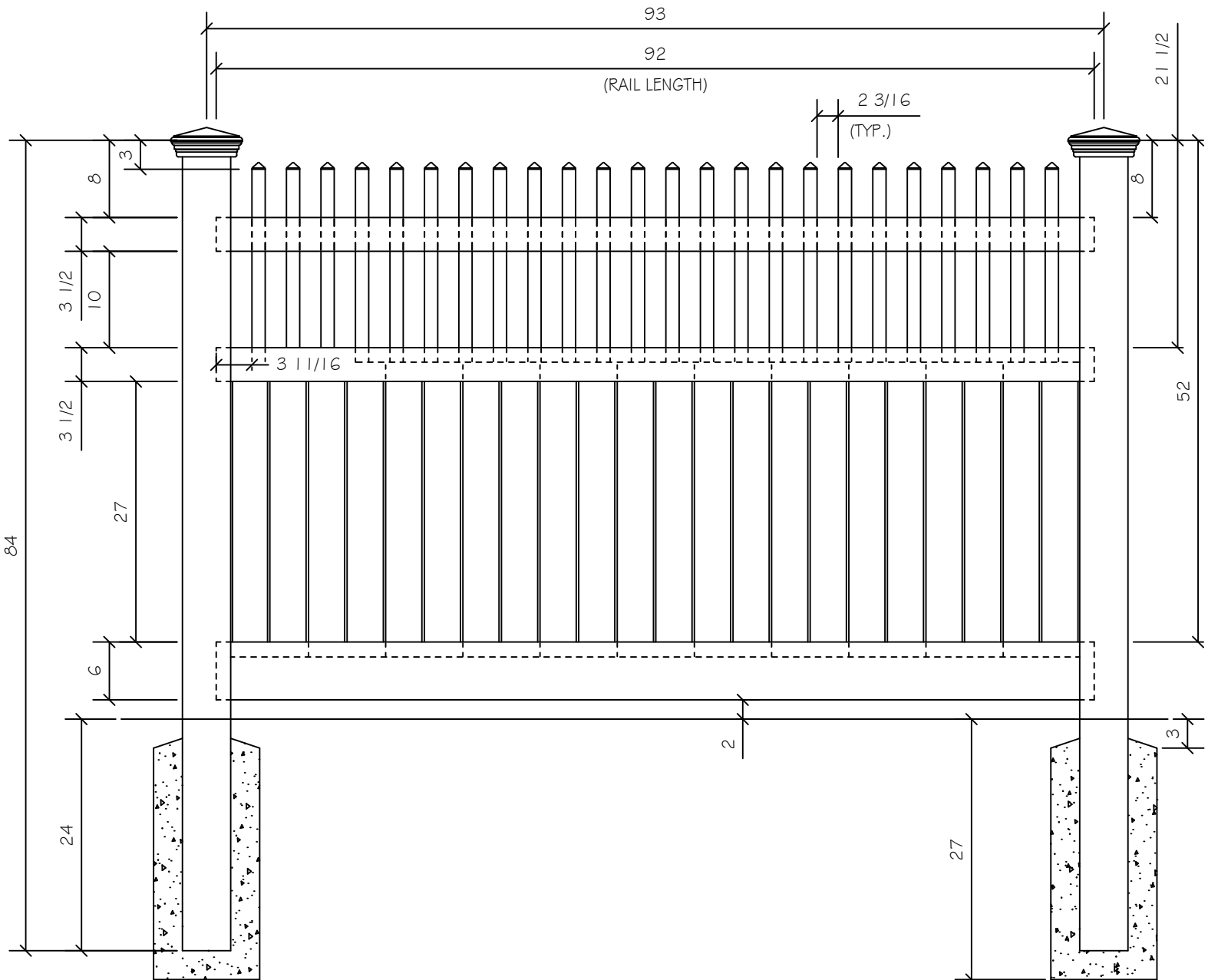
PICKET CAP:

(25) 1 3/8" X 1 3/8" Sq Cap



5 ft. Privacy With Open Picket Accent

- | | |
|--------------------------------|-----------------------------|
| POST: | PICKET: |
| (1) 5" X 5" X 84" RW | (24) 1 3/8" X 1 3/8" X 20" |
| POST CAP: | (11) 1" X 8" X 30 1/2" T#G |
| (1) 5" X 5" Classic Cap & Trim | PICKET CAP: |
| RAIL: | (24) 1 3/8" X 1 3/8" Sq Cap |
| (1) 2" X 6" X 92" Ribbed | |
| (2) 2" X 3 1/2" X 92" Open RW | |



THIS DRAWING WAS MADE TO BE USED AS A GUIDE. ANY PRODUCT SUBSTITUTION OR OVERALL SIZE VARIANCE MUST BE REVIEWED BY A KROY TECHNICAL REPRESENTATIVE FIRST.

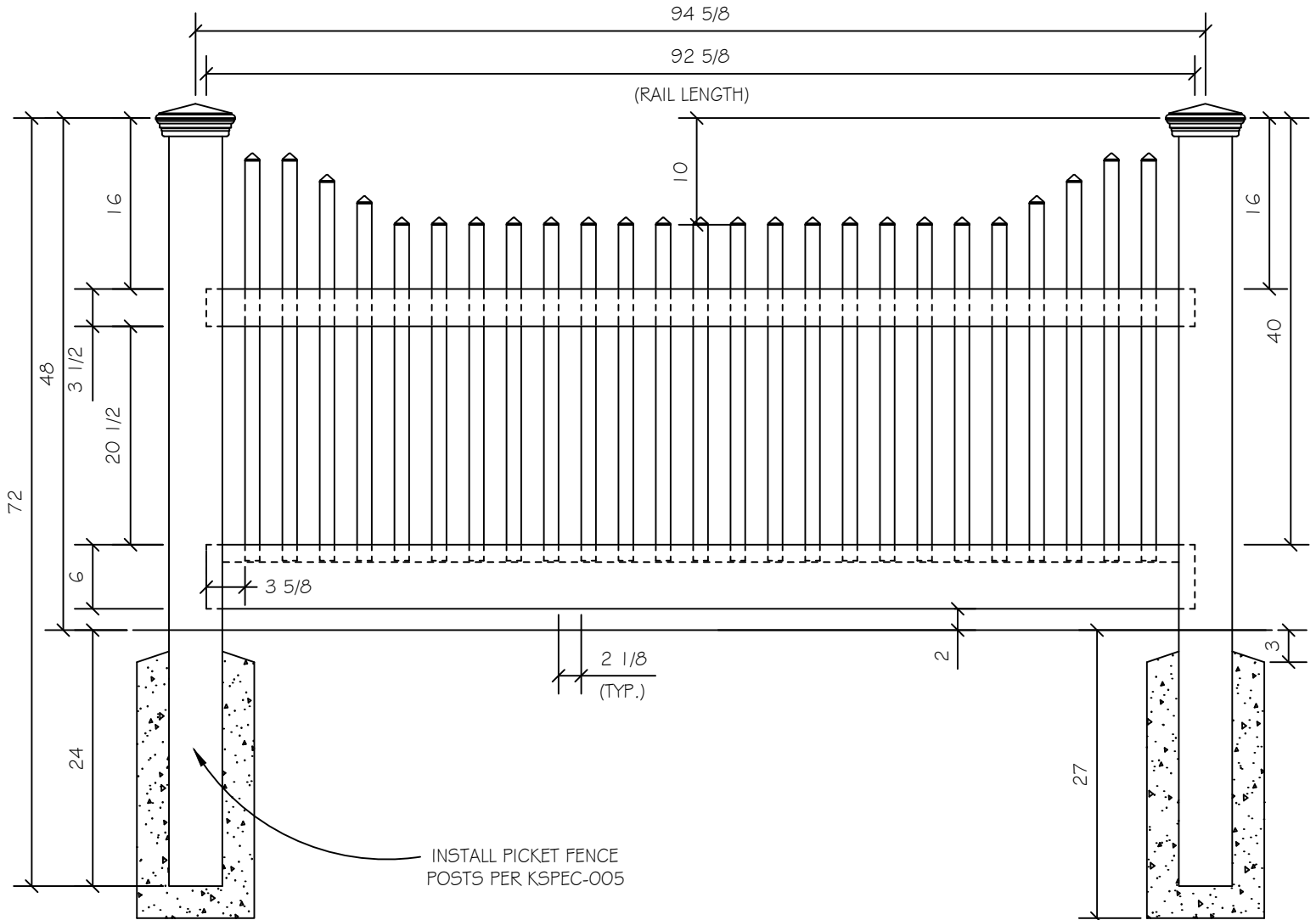
80

4 ft Classic Scallop Picket Fence

2 1/8 inch Gap

REQ'D MATERIAL PER 6' SECTION

- | | |
|-----------------------------------|--------------------------------|
| POST: | PICKET: |
| (1) 5" X 5" X 72" | (4) 1 3/8" X 1 3/8" X 37 1/2" |
| POST CAP: | (2) 1 3/8" X 1 3/8" X 35 1/2" |
| (1) 5" X 5" Classic Cap & Trim | (2) 1 3/8" X 1 3/8" X 33 1/2" |
| RAIL: | (17) 1 3/8" X 1 3/8" X 31 1/2" |
| (1) 2" X 3 1/2" X 92 5/8" Open RW | PICKET CAP: |
| (1) 2" X 6" X 92 5/8" Ribbed | (25) 1 3/8" X 1 3/8" Sq Cap |

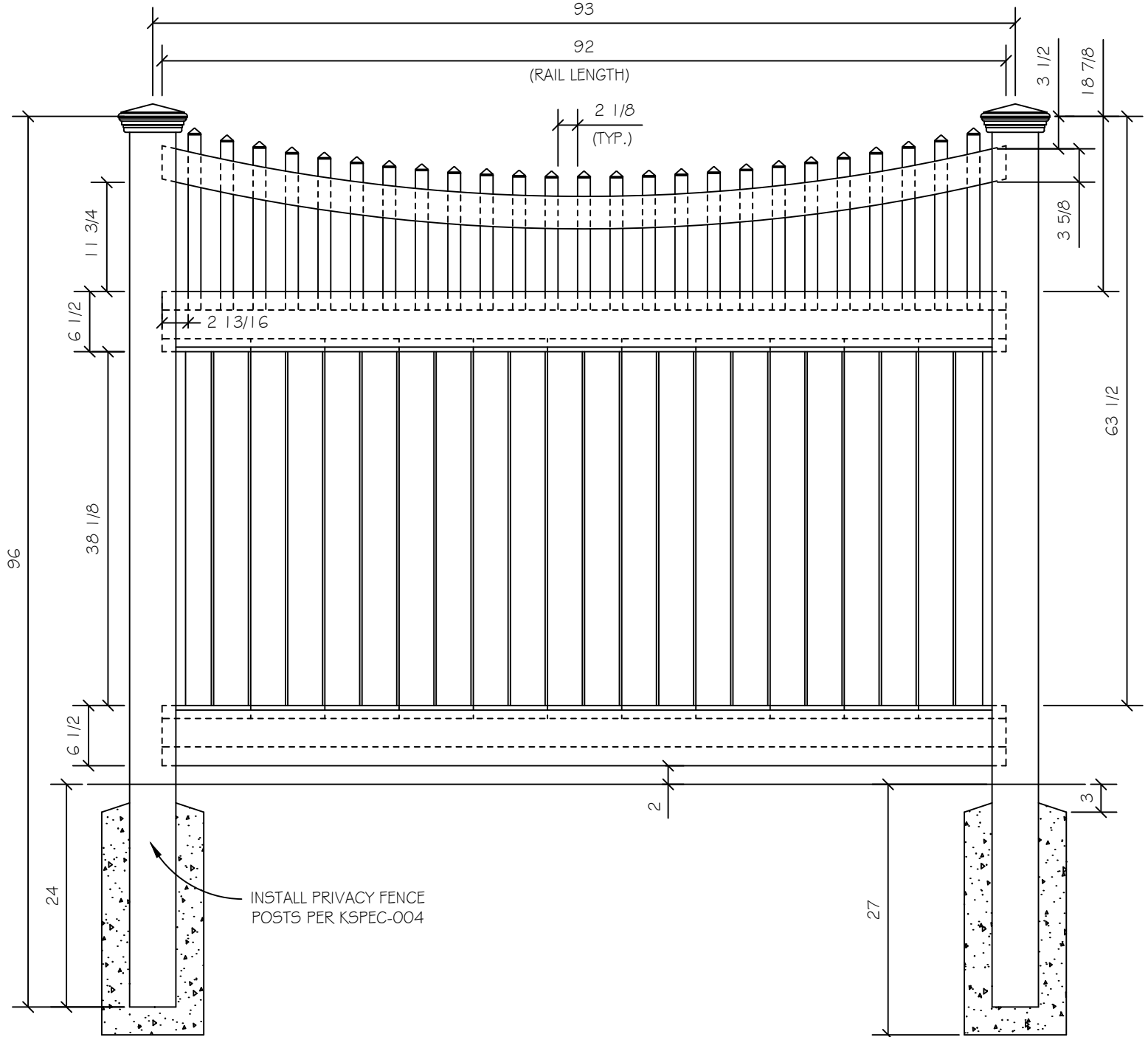


6 ft Privacy with Scalloped Picket Accent

REQ'D MATERIAL PER 8' SECTION

- | | |
|--|-------------------------------|
| POST: | PICKET: |
| (1) 5" X 5" X 96" | (2) 1 3/8" X 1 3/8" X 19" |
| POST CAP: | (2) 1 3/8" X 1 3/8" X 18 1/4" |
| (1) 5" X 5" Classic Cap & Trim | (2) 1 3/8" X 1 3/8" X 17 5/8" |
| RAILS: | (2) 1 3/8" X 1 3/8" X 17" |
| (2) 2" X 6 1/2" X 92" Slotted | (2) 1 3/8" X 1 3/8" X 16 1/2" |
| (1) 2" X 3 1/2" X 92" 8' - 6" Drop | (2) 1 3/8" X 1 3/8" X 16" |
| U-CHANNEL: | (2) 1 3/8" X 1 3/8" X 15 5/8" |
| (2) 1" U-Channel x 38" | (2) 1 3/8" X 1 3/8" X 15 1/4" |
| PICKET CAP: | (2) 1 3/8" X 1 3/8" X 15" |
| (25) 1 3/8" X 1 3/8" Sq Cap | (2) 1 3/8" X 1 3/8" X 14 3/4" |
| RAIL INSERT: | (2) 1 3/8" X 1 3/8" X 14 1/2" |
| (1) 2" X 3 1/2" X 92" Alum Insr L BX (P-Channel) | (3) 1 3/8" X 1 3/8" X 14 3/8" |
| | (1) 1" X 8" X 40 1/2" T&G |

INSERT IS NOT REQUIRED ON WHITE, TAN OR SANDSTONE FENCE BOTTOM RAILS. ALL OTHER COLORS GREATER THAN 60" MUST INSTALL INSERT

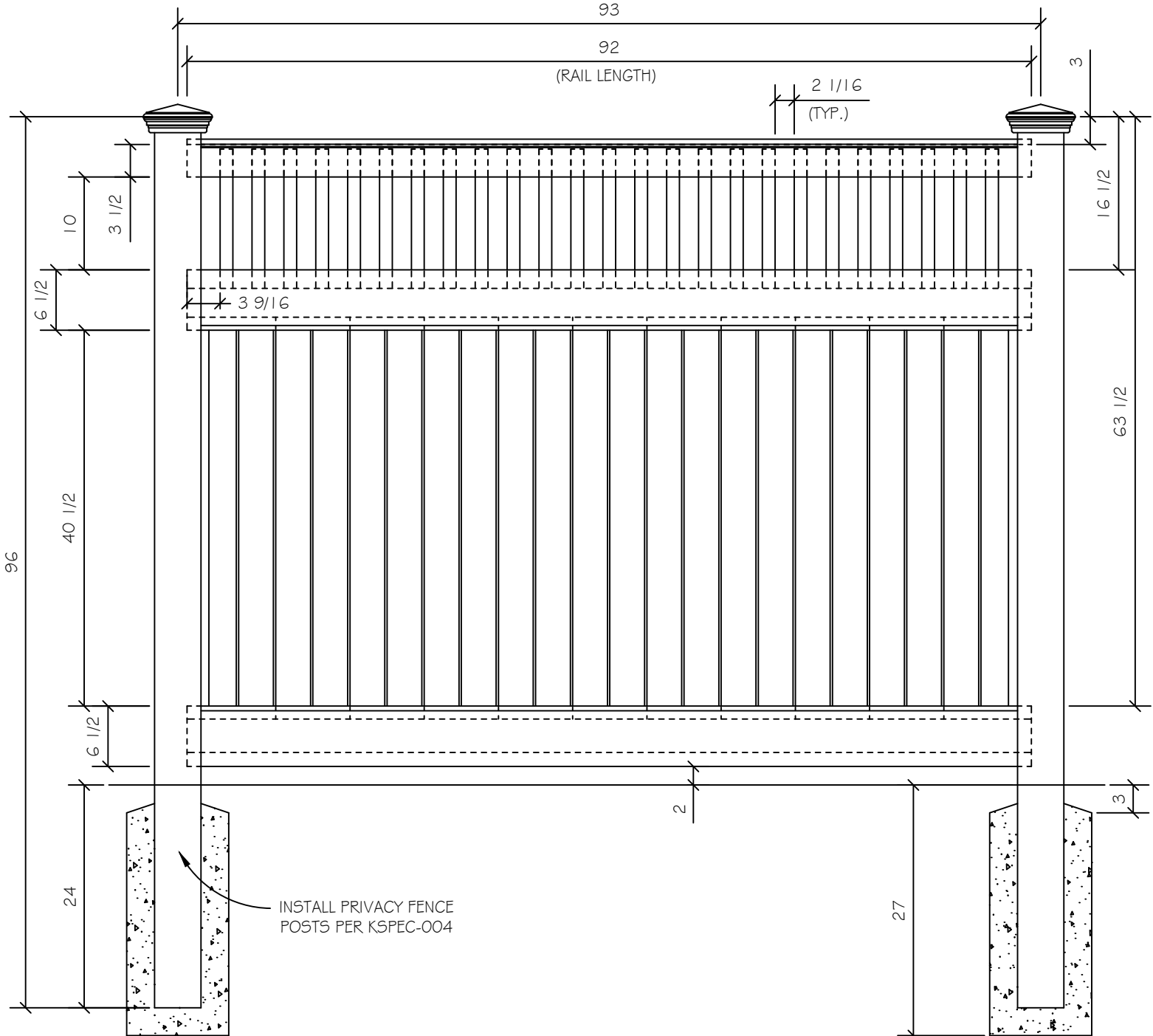


6 ft Privacy with Closed Picket Accent and Optional Decorative Cap Rail

- POST:**
 (1) 5" X 5" X 96"
POST CAP:
 (1) 5" X 5" Classic Cap & Trim
RAILS:
 (2) 2" X 6 1/2" X 92" Slotted
 (1) 2" X 3 1/2" X 92" Open RW
U-CHANNEL:
 (2) 1" U-Channel x 40 3/8"

- PICKETS:**
 (25) 1 3/8" X 1 3/8" X 15"
 (11) 1" X 8" X 43" T#G
OPTIONAL RAIL:
 (1) 1" X 3 1/2" X 92" Decorative Cap Rail
RAIL INSERT:
 (1) 2" X 3 1/2" X 92" Alum Insert L BX (P-Channel)

INSERT IS NOT REQUIRED ON WHITE, TAN OR SANDSTONE FENCE BOTTOM RAILS. ALL OTHER COLORS GREATER THAN 60" MUST INSTALL INSERT



INSTALL PRIVACY FENCE POSTS PER KSPEC-004

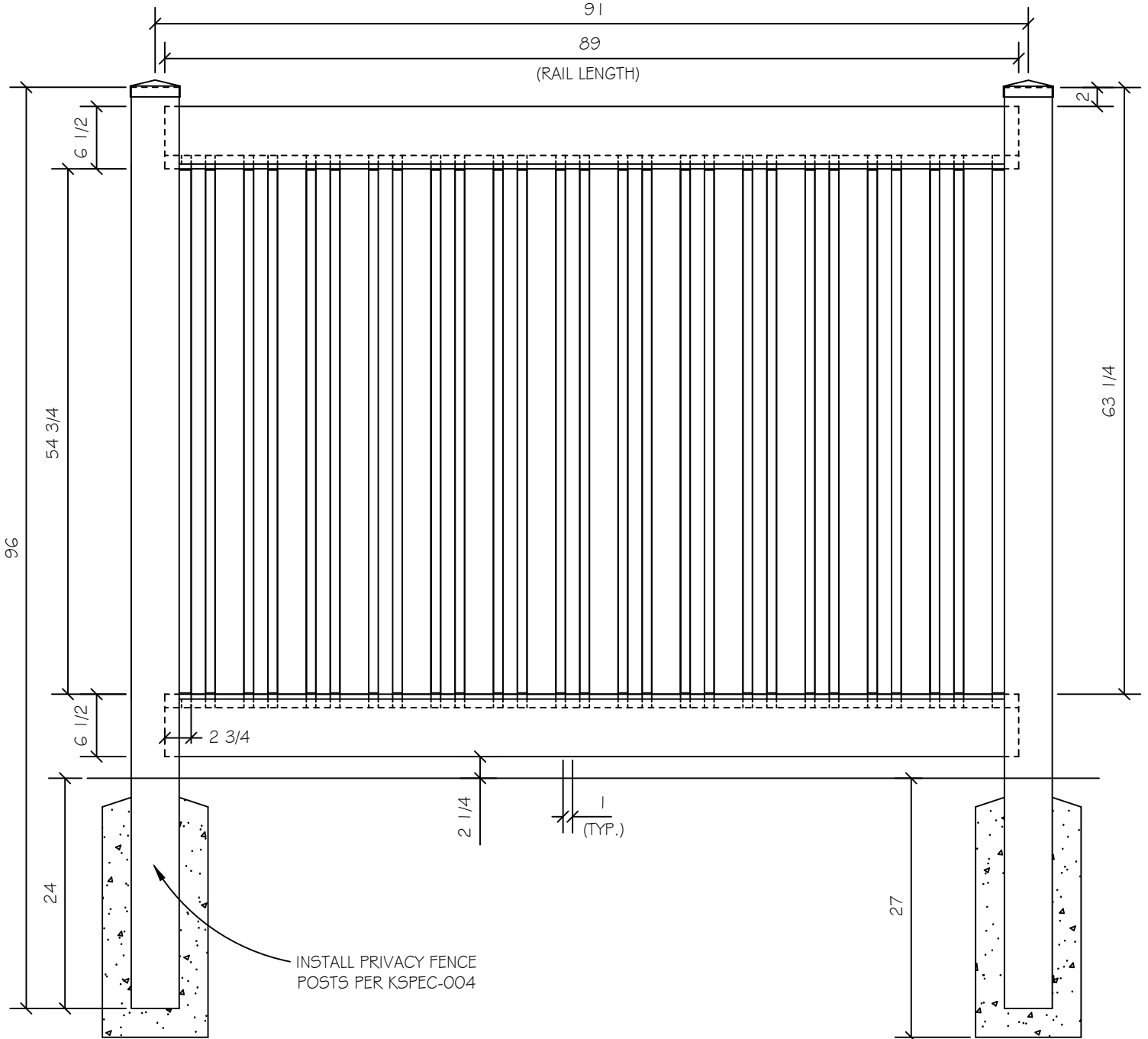
6 ft Semi Privacy Fence (1 inch Gap)

REQ'D MATERIAL PER 8' SECTION

- POST:
 (1) 5" X 5" X 96"
 POST CAP:
 (1) 5" X 5" Ext Long Cap
 RAIL:
 (2) 2" X 6 1/2" X 89" Slotted
 PICKET:
 (11) 7/8" X 3" X 57 1/2"
 (10) 7/8" X 1 1/2" X 57 1/2"

- HARDWARE:
 (44) 1" Spacer Stock (cut to 1" Lg)
 INSERT:
 (1) 2 x 3 1/2 x 89" Alum Insr̄t L BX (P-Channel)

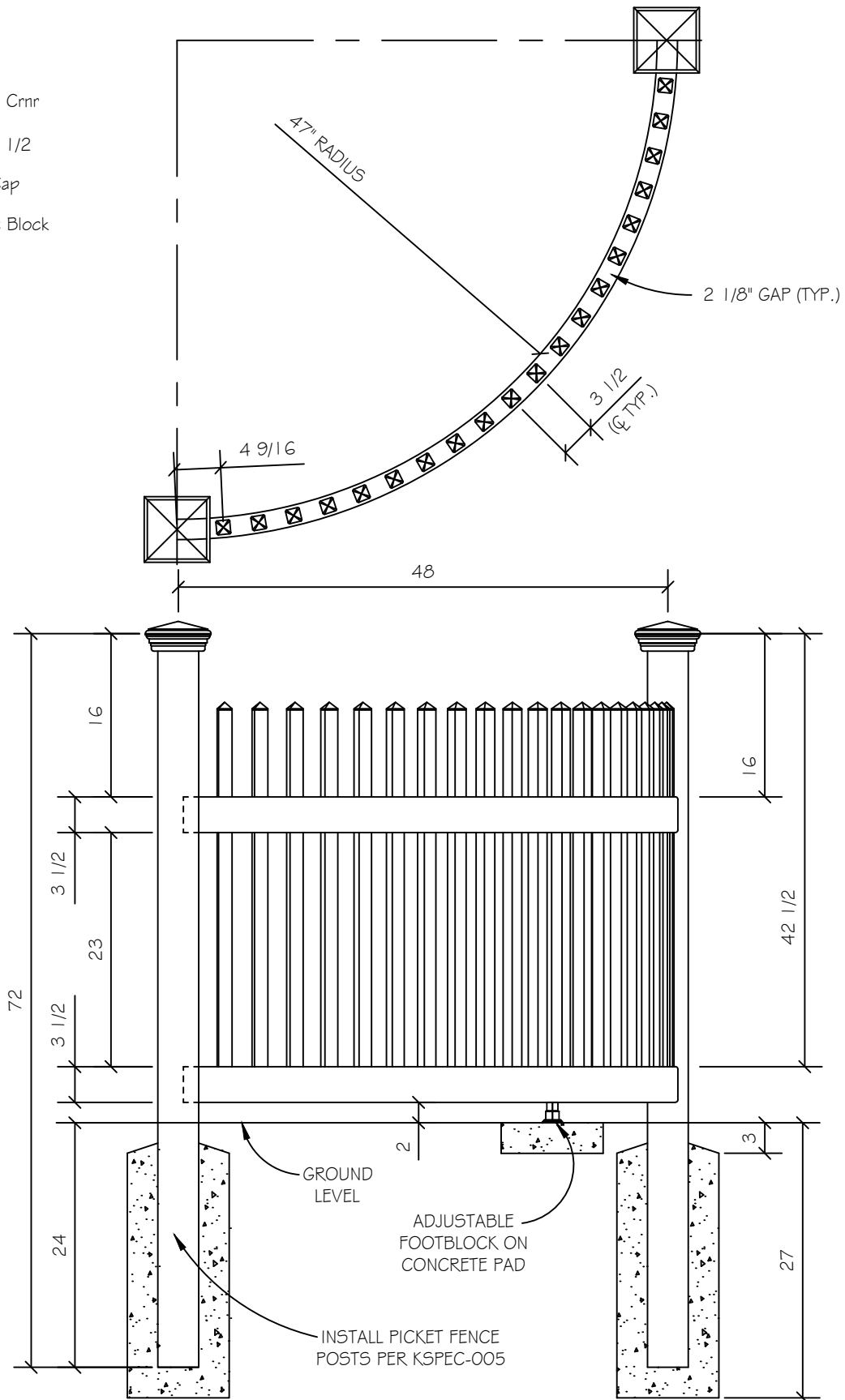
INSERT IS NOT REQUIRED ON WHITE, TAN OR SANDSTONE FENCE BOTTOM RAILS. ALL OTHER COLORS GREATER THAN 60" MUST INSTALL INSERT



4 ft Radiused Picket Fence

2 1/8 inch Gap

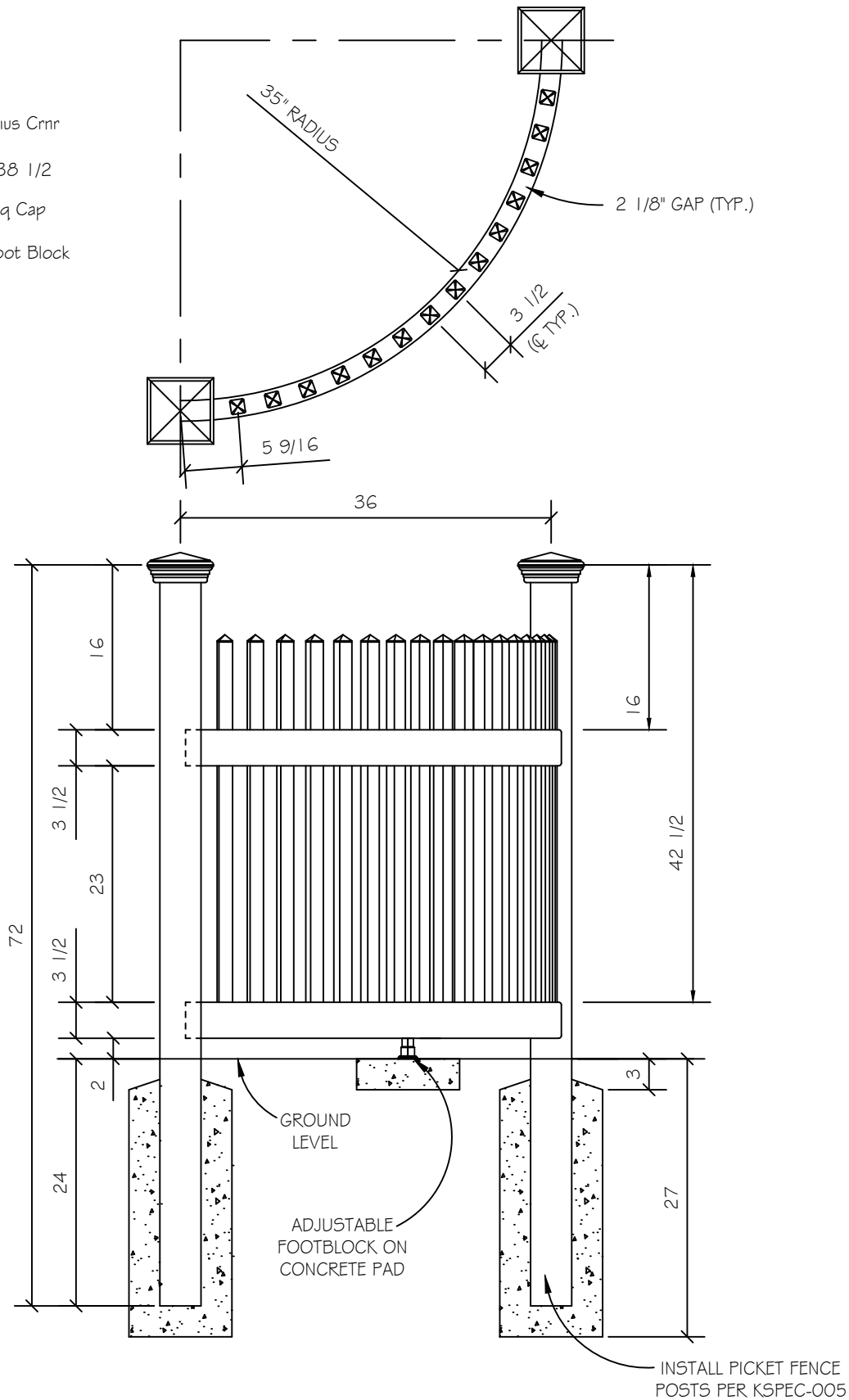
- POST:
(1) 4 x 4 x 72
- POST CAP:
(1) 4 x 4 Classic Cap
(1) 4 x 4 Classic Trim
- RAIL:
(2) 2 x 3 1/2 - 4' Radius Crnr
- PICKET:
(20) 1 3/8 x 1 3/8 x 38 1/2
- PICKET CAP:
(20) 1 3/8 x 1 3/8 Sq Cap
- FOOT BLOCK:
(1) 2 Pc Adjustable Foot Block



3 ft Radiused Picket Fence

2 1/8 inch Gap

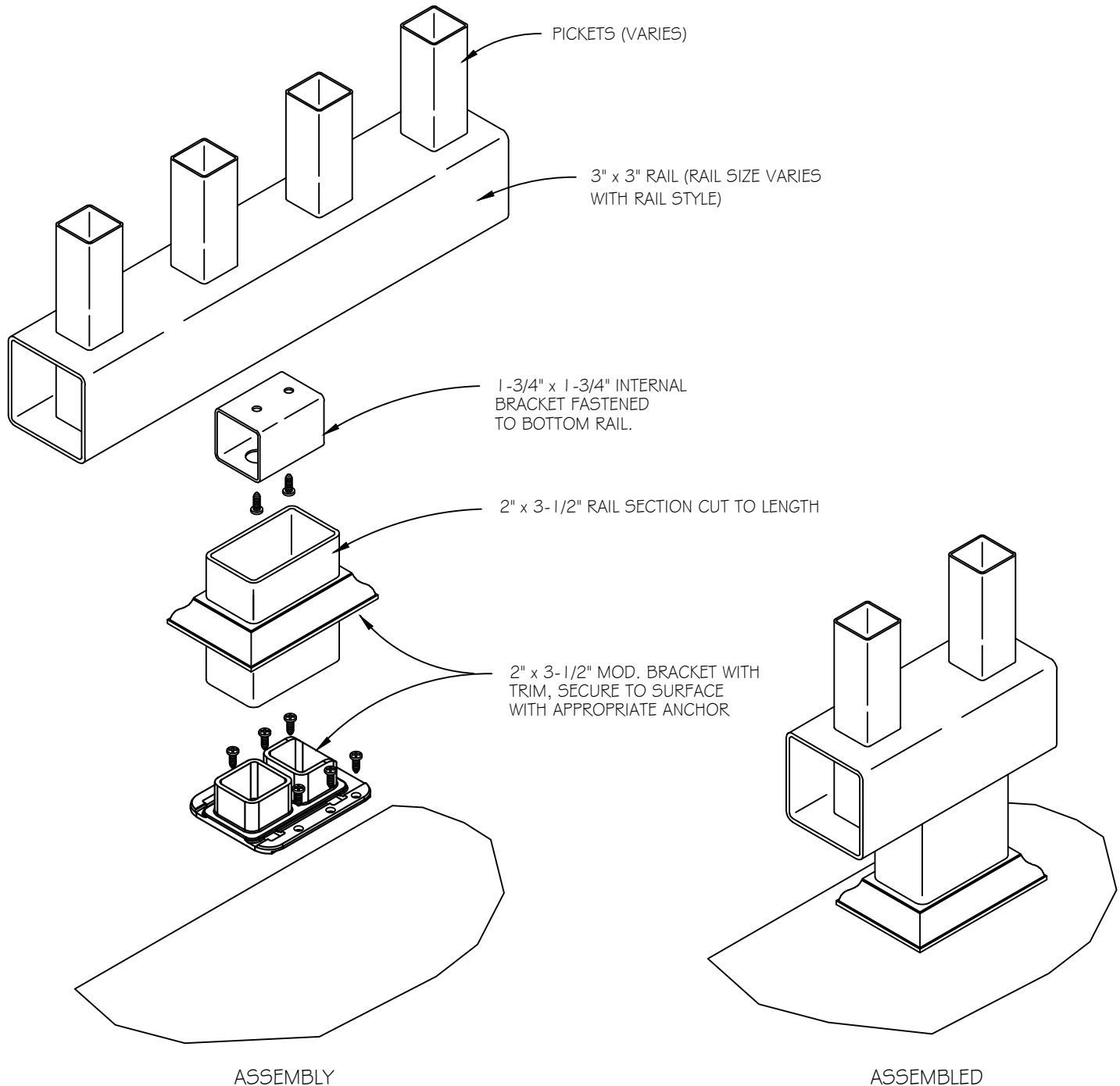
- POST:
(1) 4 x 4 x 72
- POST CAP:
(1) 4 x 4 Classic Cap
(1) 4 x 4 Classic Trim
- RAIL:
(2) 2 x 3 1/2 - 3' Radius Crnr
- PICKET:
(14) 1 3/8 x 1 3/8 x 38 1/2
- PICKET CAP:
(14) 1 3/8 x 1 3/8 Sq Cap
- FOOT BLOCK:
(1) 2 Pc Adjustable Foot Block



2 x 3-1/2 Footblock Detail

MATERIAL LIST

- (1) 1-3/4" x 1-3/4" x 3-1/8"
- (1) 2" x 3-1/2" x 4" Open RW
- (1) 2" x 3-1/2" OEM Trim & Mod Base
- (8) #12 - 1 1/4" Screw

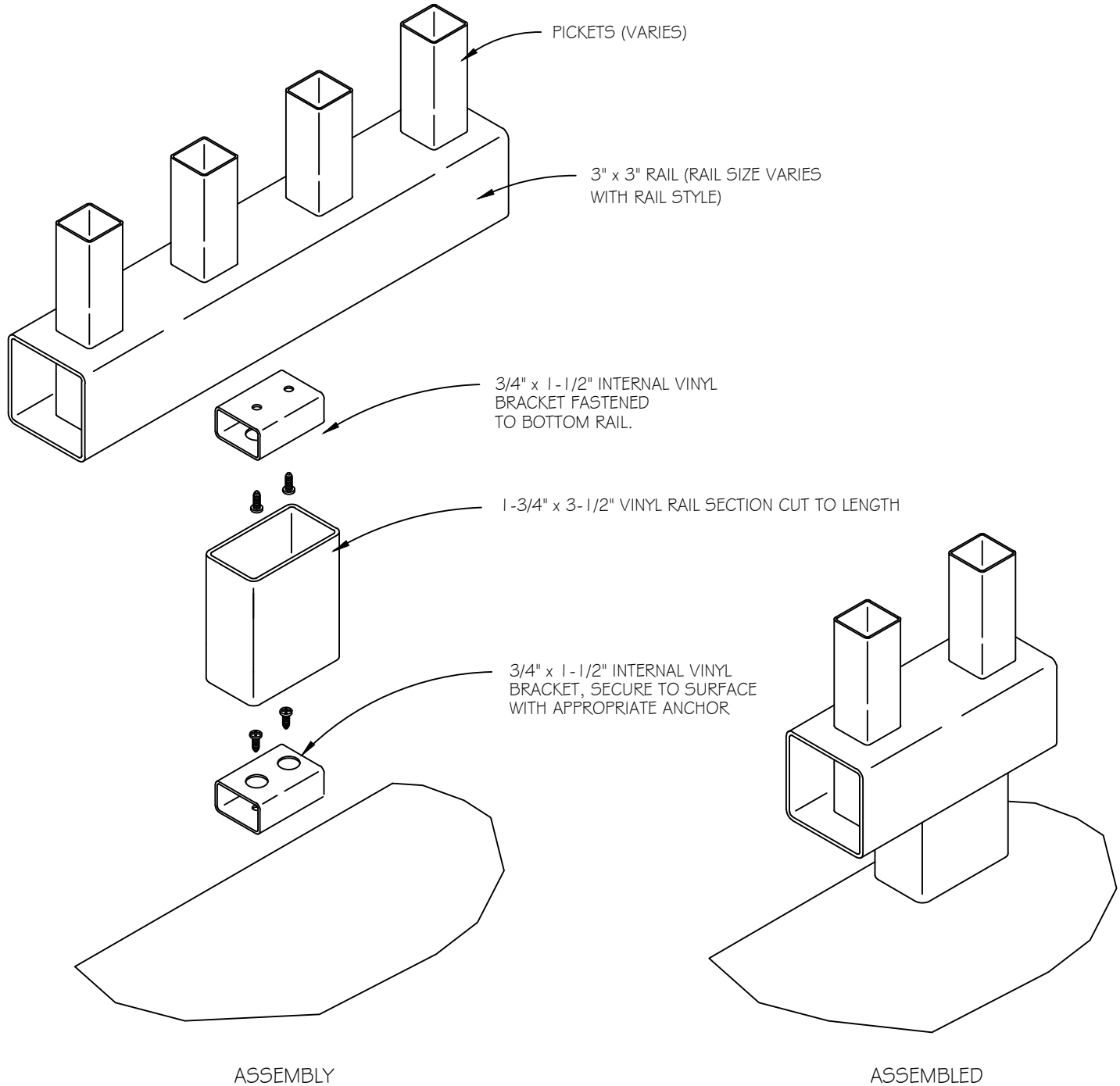


THIS DRAWING WAS MADE TO BE USED AS A GUIDE. ANY PRODUCT SUBSTITUTION OR OVERALL SIZE VARIANCE MUST BE REVIEWED BY A KROY TECHNICAL REPRESENTATIVE FIRST.

1-3/4 x 3-1/2 Footblock Detail

MATERIAL LIST

- (2) 3/4" x 1-1/2" x 3-1/8"
- (1) 1-3/4" x 3-1/2" x 4" Open
- (4) #12 - 1 1/4" Screw

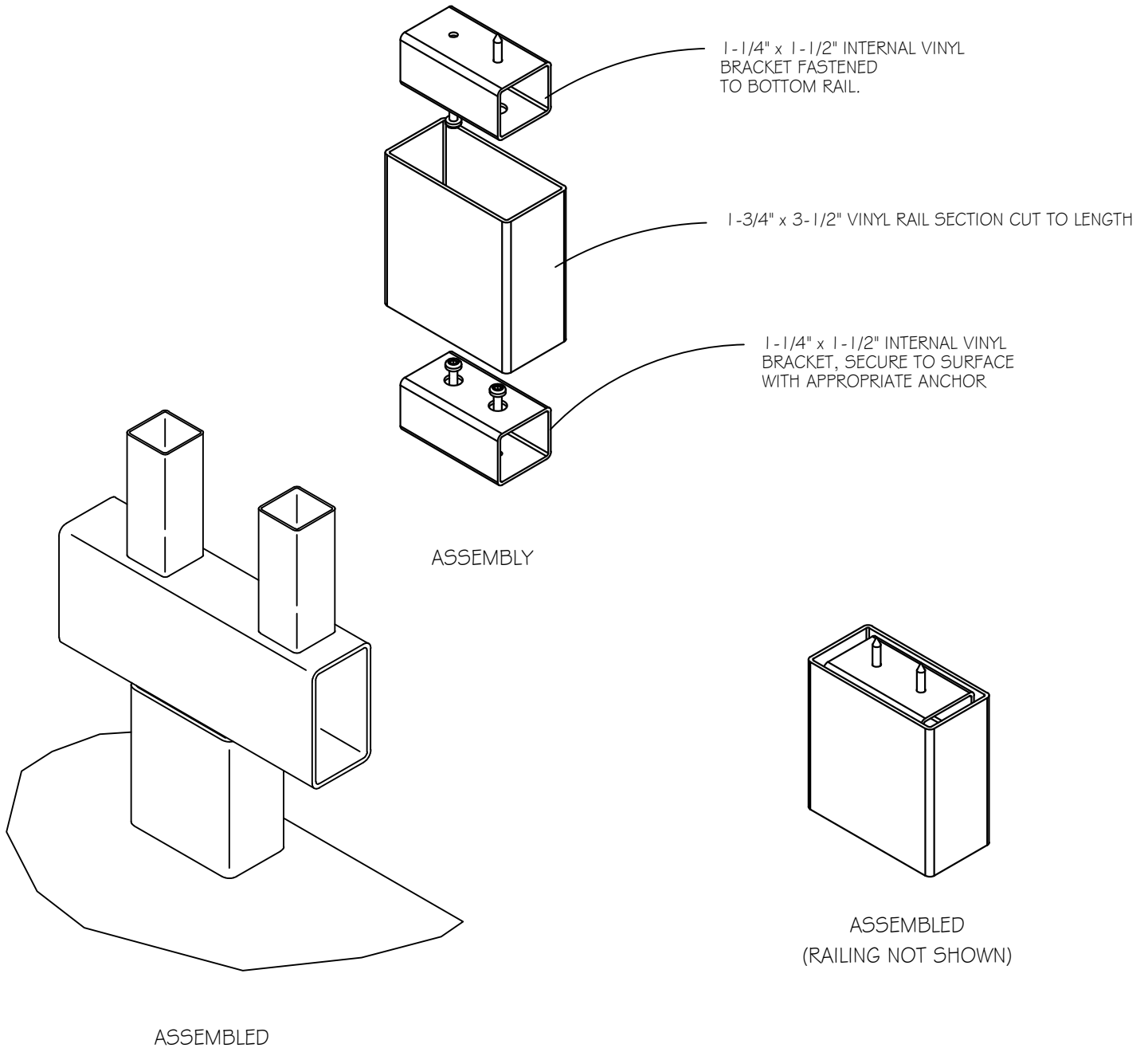


THIS DRAWING WAS MADE TO BE USED AS A GUIDE. ANY PRODUCT SUBSTITUTION OR OVERALL SIZE VARIANCE MUST BE REVIEWED BY A KROY TECHNICAL REPRESENTATIVE FIRST.

1-3/4 x 3-1/2 Footblock Detail

MATERIAL LIST

- (2) 1-1/4" x 1-1/2" x 3-1/8"
- (1) 1-3/4" x 3-1/2" x 4" Open
- (4) #8 - 1" #2 Sq Dr Pan SS



THIS DRAWING WAS MADE TO BE USED AS A GUIDE. ANY PRODUCT SUBSTITUTION OR OVERALL SIZE VARIANCE MUST BE REVIEWED BY A KROY TECHNICAL REPRESENTATIVE FIRST.

Classic Drop Picket Fence

2 1/8 inch Gap

POST:

- (1) 5" X 5" X 96"
- (1) 5" X 5" X 84"

POST CAP:

- (1) 5" X 5" Classic Cap & Trim

RAIL:

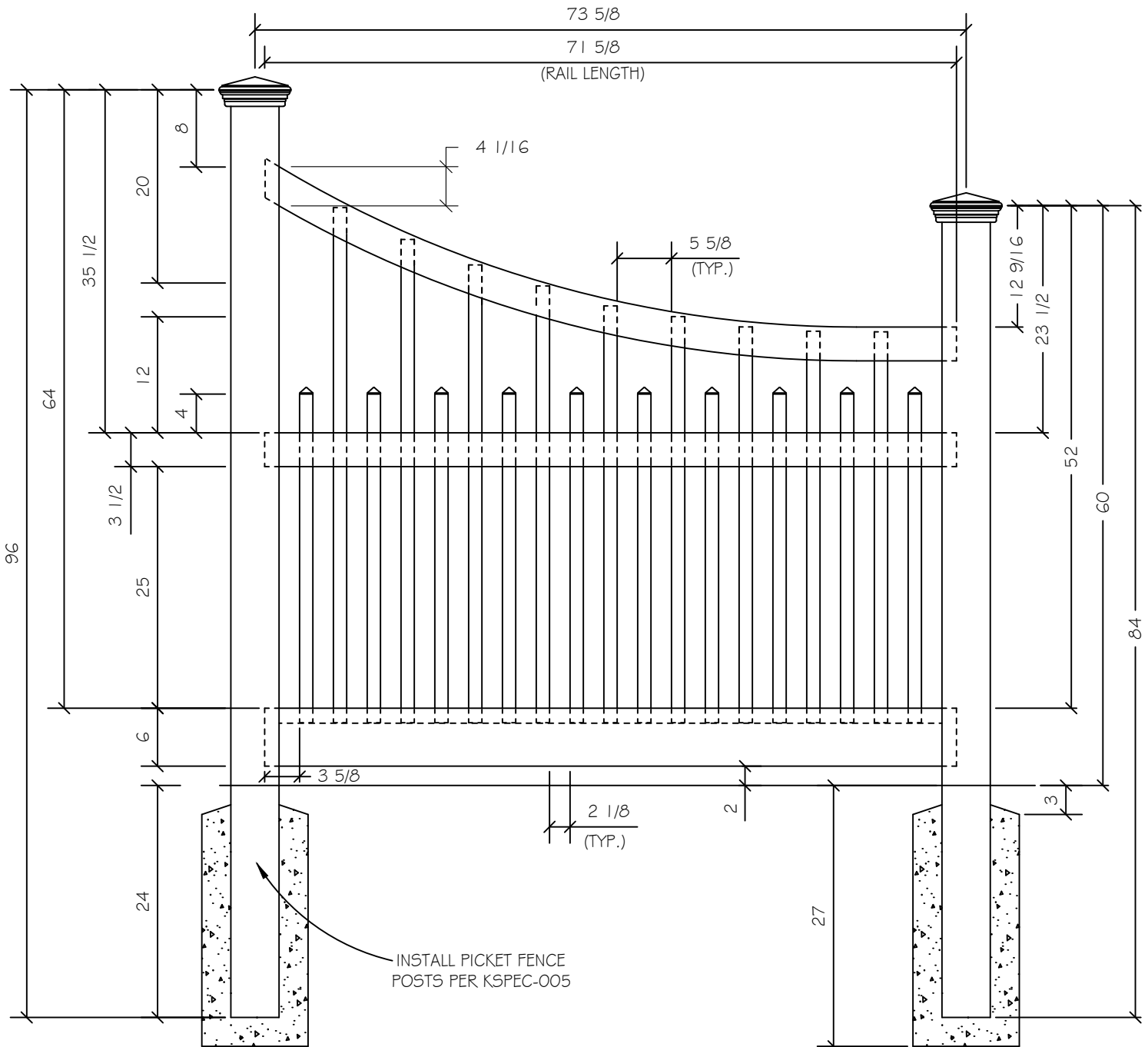
- (1) 2" X 6" X 71 5/8" Ribbed
- (1) 2" X 3 1/2" X 71 5/8" Open RW
- (1) 2" X 3 1/2" X 71 5/8" 6' - 18" Drop Rtd 1 Side

PICKET CAP:

- (10) 1 3/8" X 1 3/8" Sq Cap

PICKET:

- (1) 1 3/8" X 1 3/8" X 53 1/4"
- (1) 1 3/8" X 1 3/8" X 50"
- (1) 1 3/8" X 1 3/8" X 47 3/8"
- (1) 1 3/8" X 1 3/8" X 45 1/8"
- (1) 1 3/8" X 1 3/8" X 43 1/8"
- (1) 1 3/8" X 1 3/8" X 42"
- (1) 1 3/8" X 1 3/8" X 41"
- (1) 1 3/8" X 1 3/8" X 40 1/2"
- (1) 1 3/8" X 1 3/8" X 40 3/8"
- (10) 1 3/8" X 1 3/8" X 34"



INSTALL PICKET FENCE POSTS PER KSPEC-005

Classic Drop Rail Picket Fence

2 1/8 inch Gap

For end of K98 fence

POST:

- (1) 5" X 5" X 96"
- (1) 5" X 5" X 84"

POST CAP:

- (1) 5" X 5" Classic Cap & Trim

RAIL:

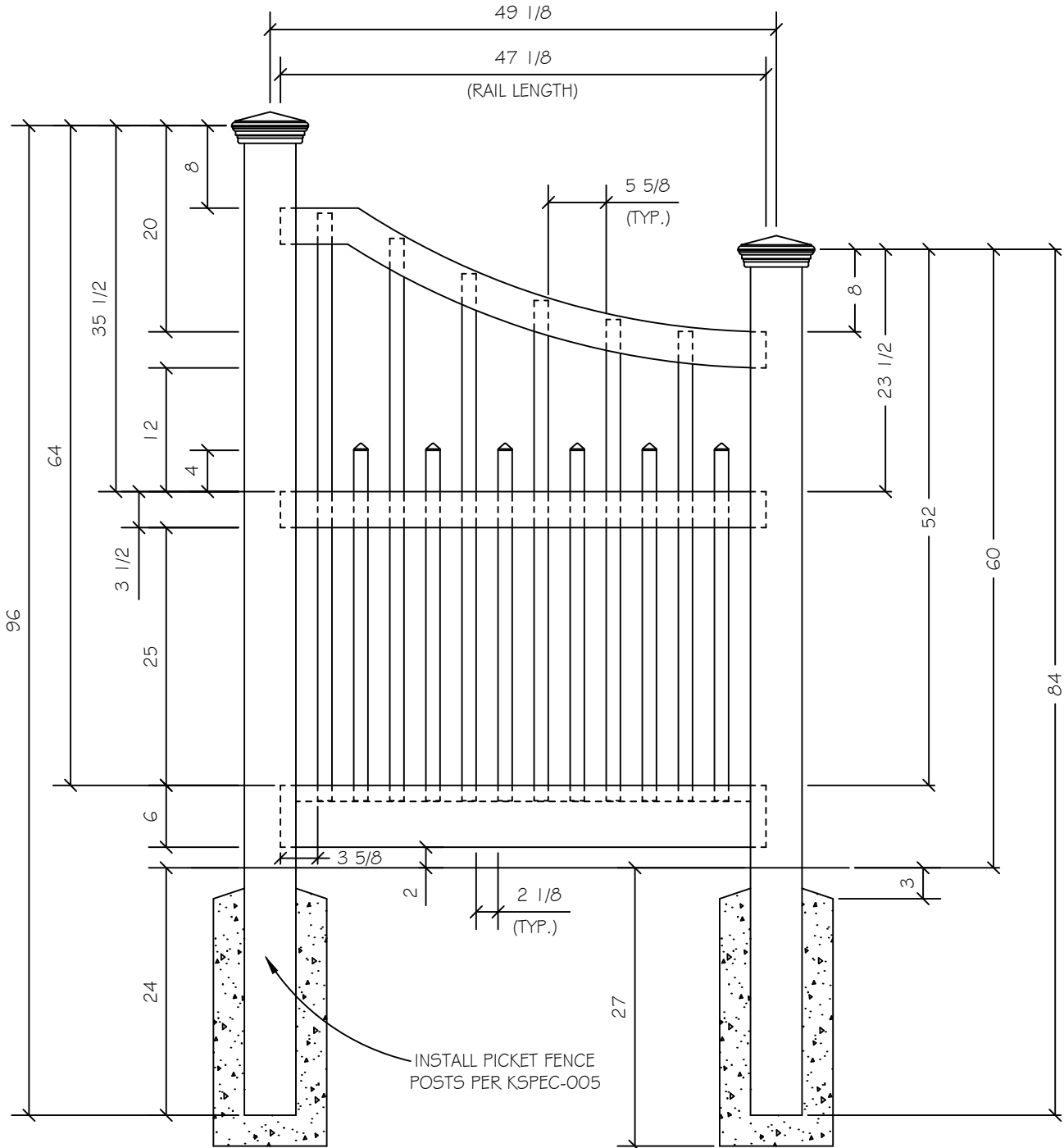
- (1) 2" X 6" X 47 1/8" Ribbed
- (1) 2" X 3 1/2" X 47 1/8" Open RW
- (1) 2" X 3 1/2" X 47 1/2" Scallop Rtd 1 Side

PICKET:

- (1) 1 3/8" X 1 3/8" X 57"
- (1) 1 3/8" X 1 3/8" X 54 1/2"
- (1) 1 3/8" X 1 3/8" X 51"
- (1) 1 3/8" X 1 3/8" X 48 1/8"
- (1) 1 3/8" X 1 3/8" X 46 5/8"
- (1) 1 3/8" X 1 3/8" X 45 1/2"
- (6) 1 3/8" X 1 3/8" X 34"

PICKET CAP:

- (6) 1 3/8" X 1 3/8" Sq Cap

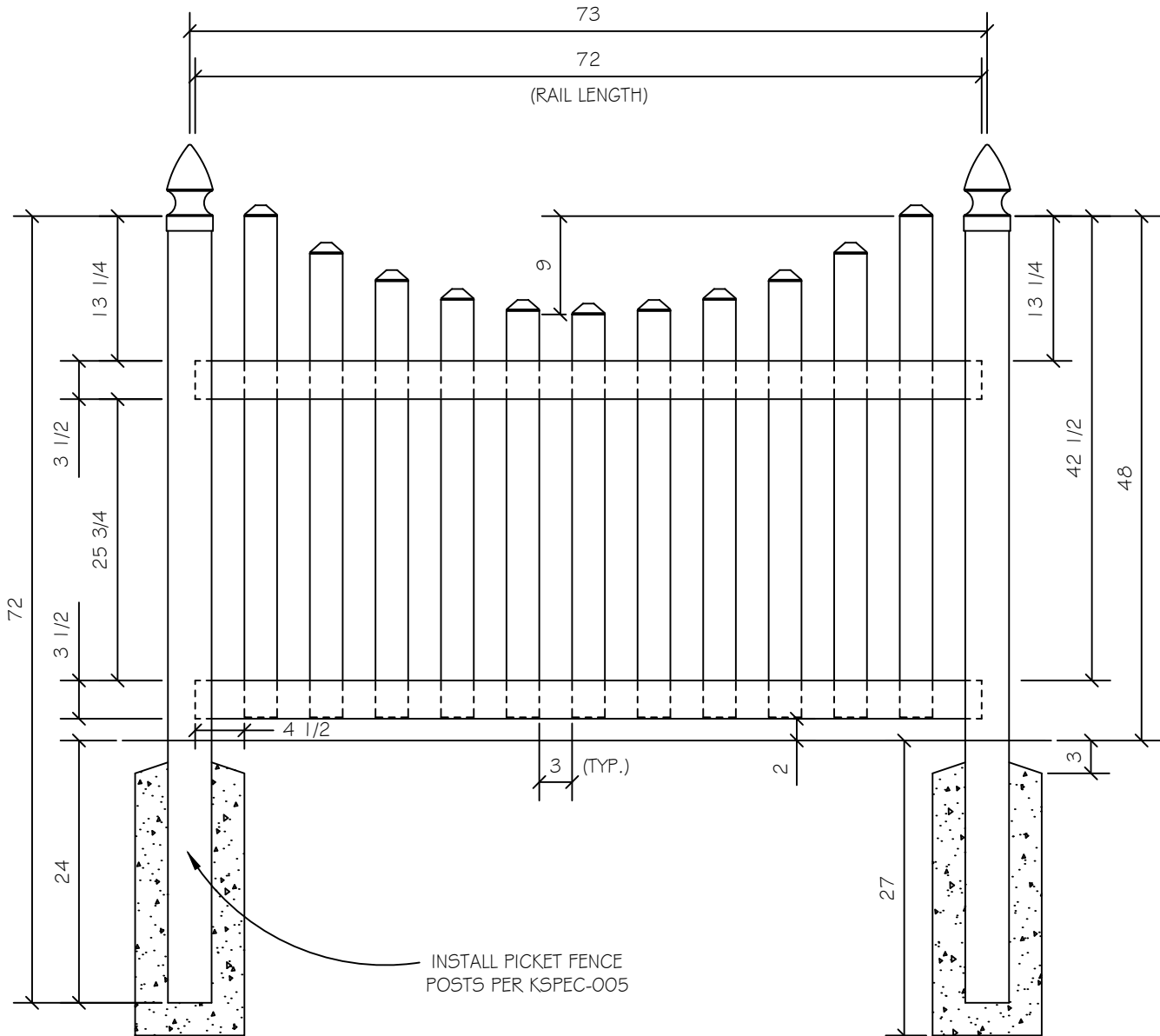


4 ft Routed Scallop Picket Fence

3 inch Gap

REQ'D MATERIAL PER 6' SECTION

- | | |
|-------------------------------|-------------------------|
| POST: | PICKET: |
| (1) 4" X 4" X 72" | (2) 7/8" X 3" X 45 7/8" |
| POST CAP: | (2) 7/8" X 3" X 42 1/2" |
| (1) 4" X 4" Gothic Cap | (2) 7/8" X 3" X 40" |
| RAIL: | (2) 7/8" X 3" X 38 1/4" |
| (2) 2" X 3 1/2" X 72" Open RW | (2) 7/8" X 3" X 37 1/4" |
| PICKET CAP: | (1) 7/8" X 3" X 36 7/8" |
| (1) 7/8" X 3" Dog Ear Cap | |



Classic Closed Picket Fence

2 1/8 inch Gap

Optional Matching End Sections K76 & K96

POST:

(1) 5" X 5" X 84"

POST CAP:

(1) 5" X 5" Classic Cap & Trim

RAIL:

(1) 2" X 6" X 92" Ribbed

(2) 2" X 3 1/2" X 92" Open RW

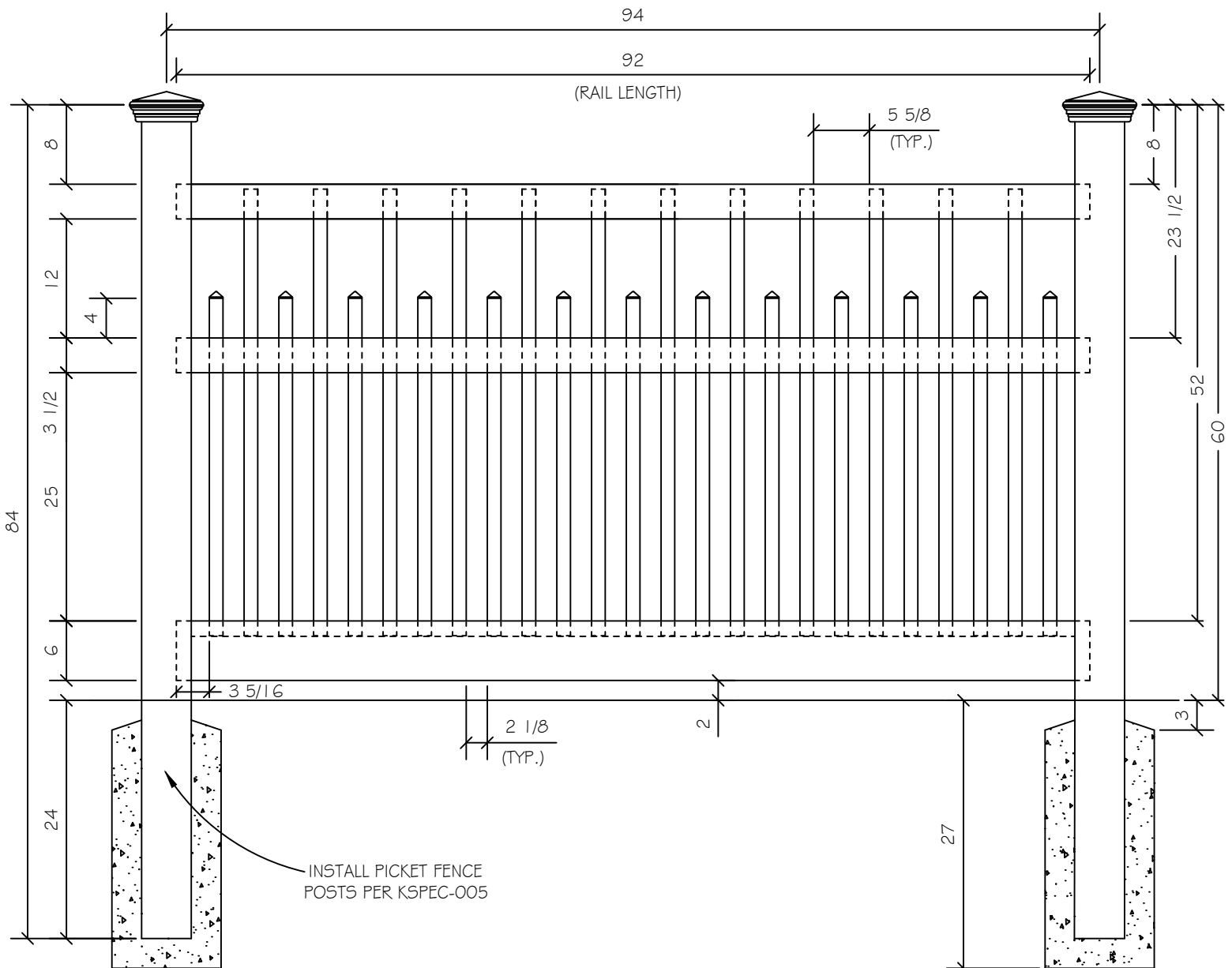
PICKET:

(12) 1 3/8" X 1 3/8" X 45"

(13) 1 3/8" X 1 3/8" X 34"

PICKET CAP:

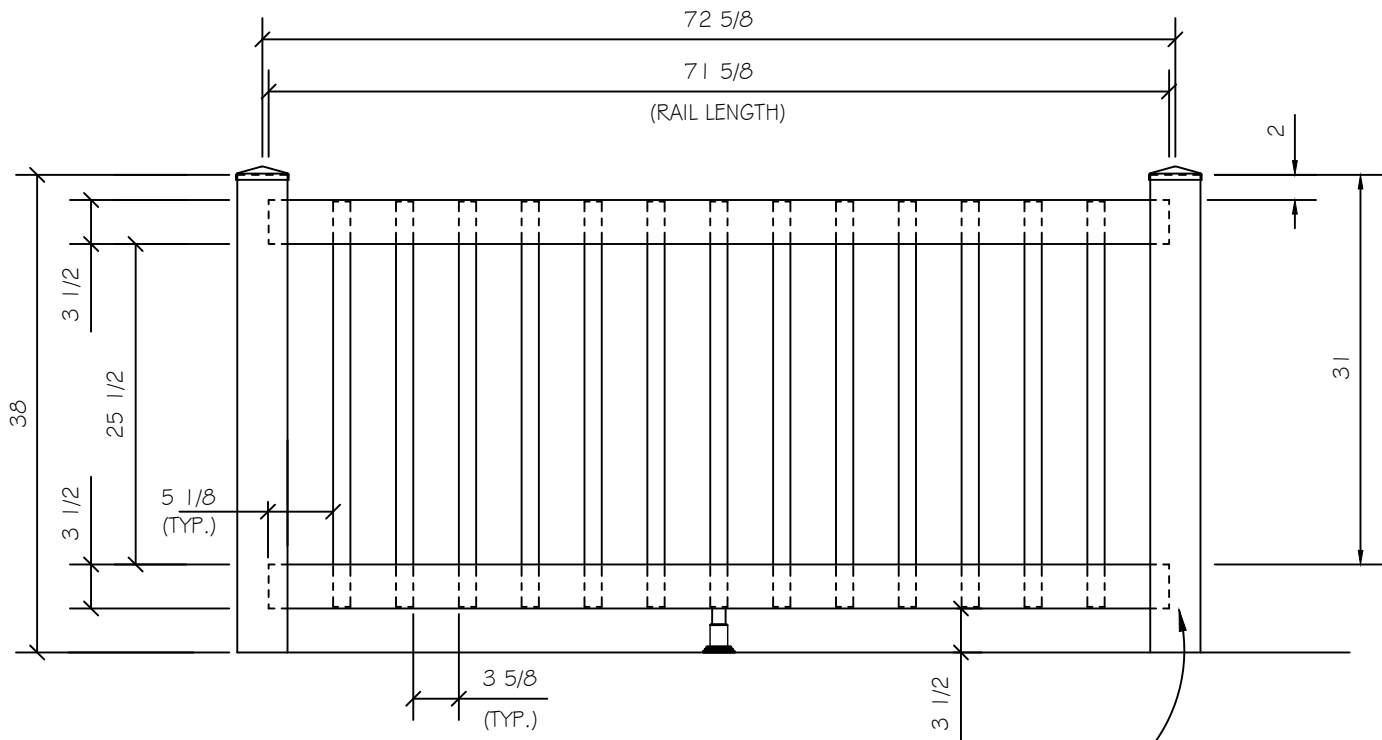
(13) 1 3/8" X 1 3/8" Sq Cap



3 ft High Porch Rail (3 5/8 inch Gap)

- | | |
|---|--|
| POSTS:
(1) 4" x 4" x 38" | PICKETS:
(13) 1-3/8" x 1-3/8" x 31-7/8" |
| POST CAPS:
(1) 4" x 4" Decorative Cap | FOOTBLOCK:
(1) Adjustable Footblock |
| RAILS:
(2) 2" x 3-1/2" x 71-5/8" Open RW | |

NOT INTENDED FOR PORCH RAIL SYSTEMS GREATER THAN 30" OFF THE GROUND. NOT TO BE USED FOR PORCH RAIL SYSTEMS THAT EXCEED EITHER THE RAIL HEIGHT OR THE RAIL LENGTH SHOWN IN THIS DRAWING.

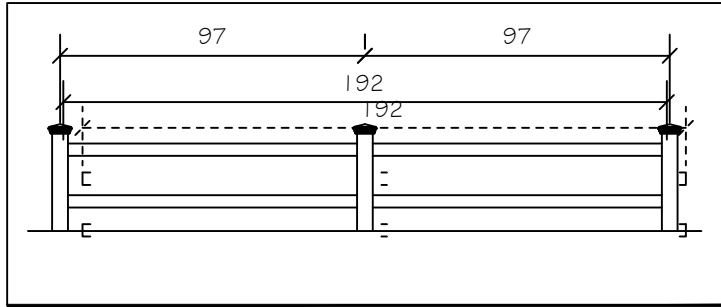


INSTALL RAILING POSTS PER
KSPEC-007 or KSPEC-003

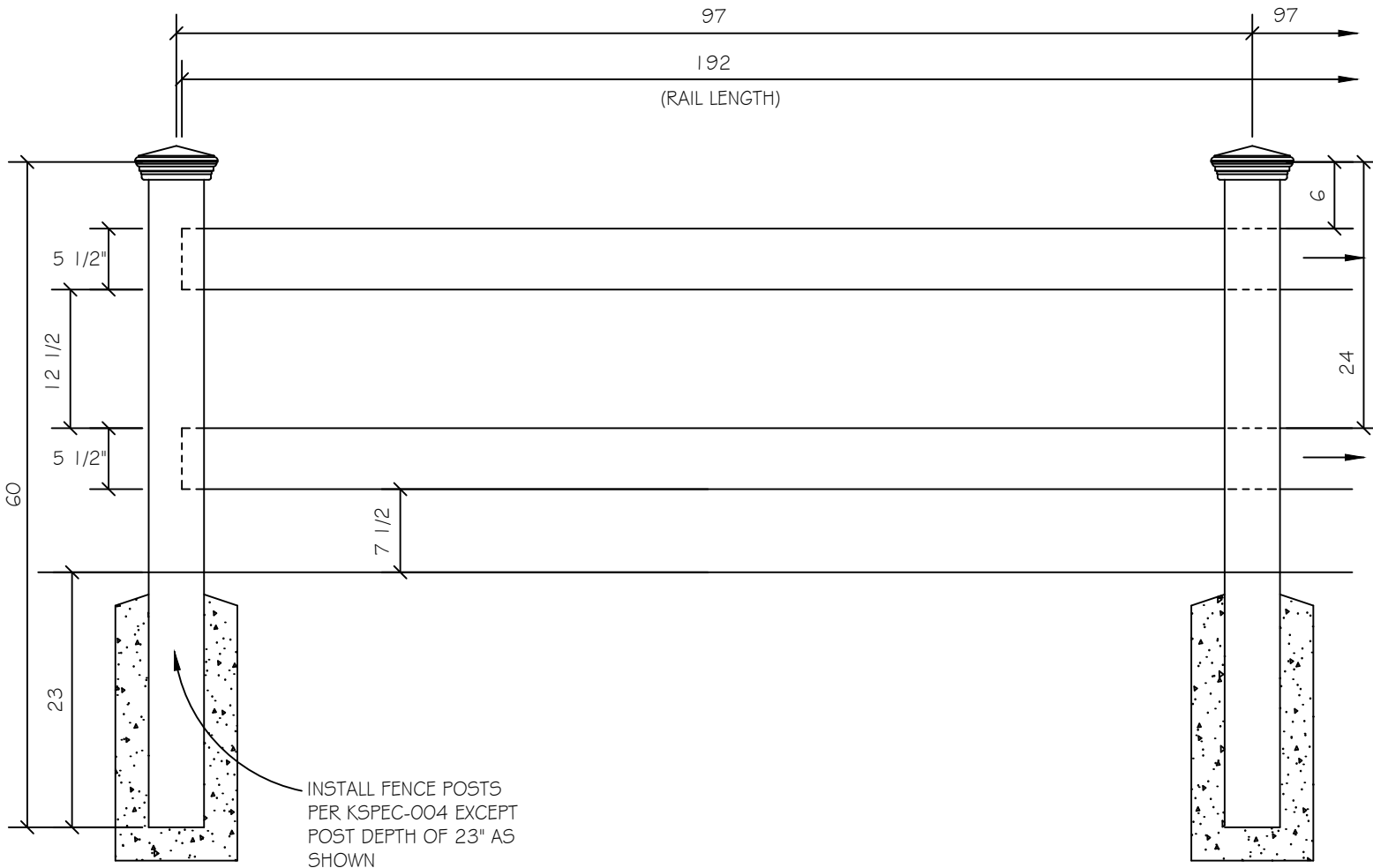
2-Rail Residential Ranch

REQ'D MATERIAL PER 16' SECTION

- POST:
 (2) 5" X 5" X 60"
 POST CAP:
 (2) 5" X 5" Classic Cap & Trim
 RAIL:
 (2) 1 1/2" X 5 1/2" X 192" Ribbed



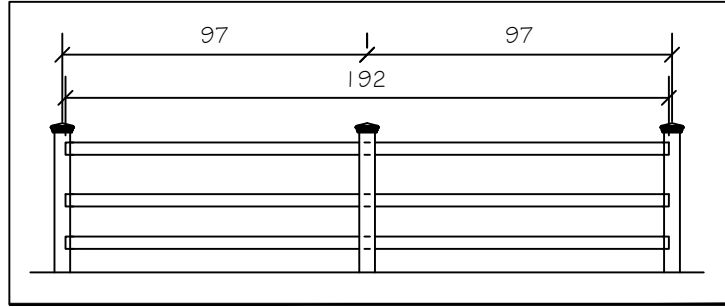
NOTE: STAGGER JOINTS OF RAILS IN EVERY OTHER POST



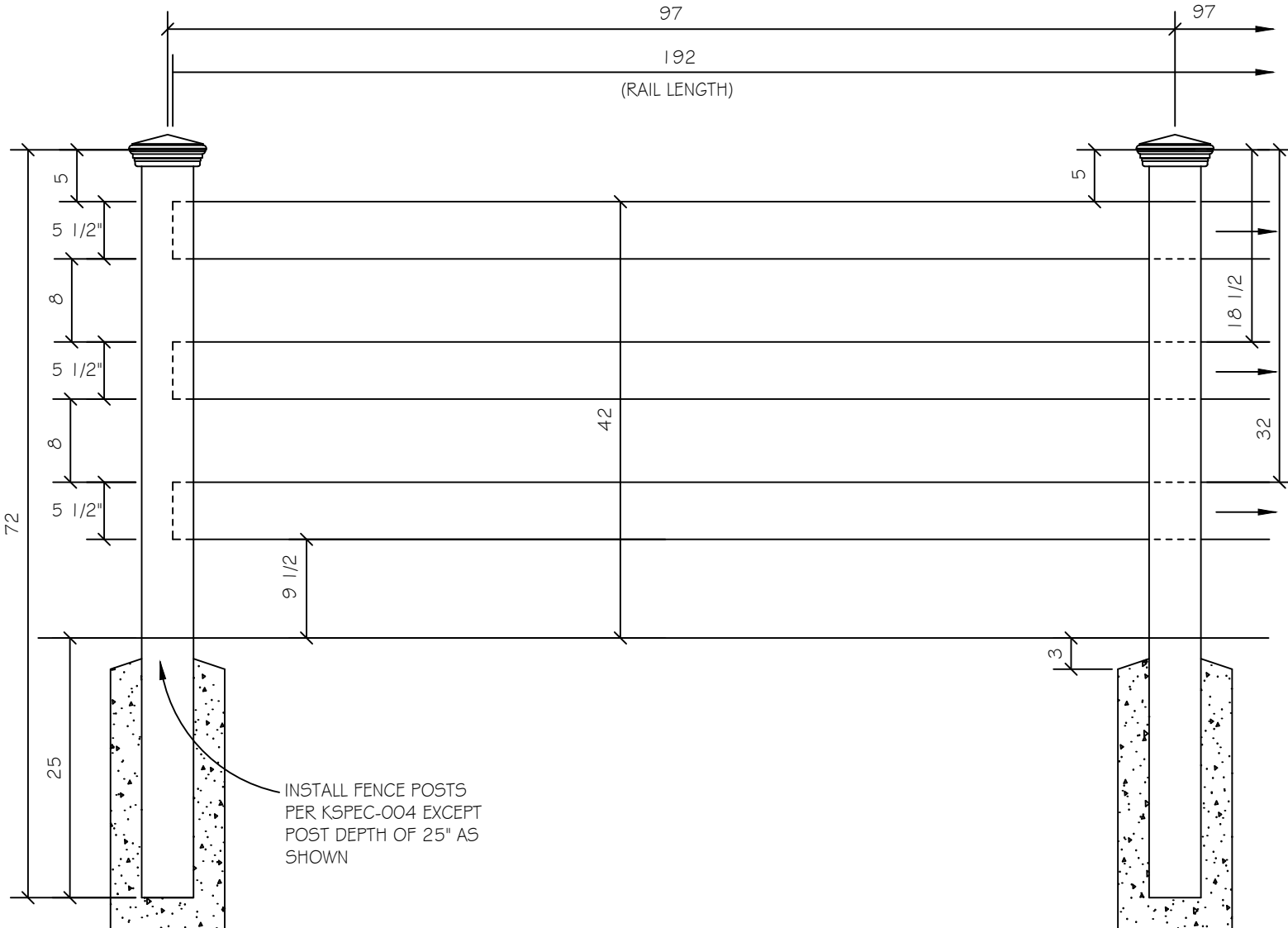
3-Rail Residential Ranch

REQ'D MATERIAL PER 16' SECTION

- POST:
 (2) 5" X 5" X 72"
 POST CAP:
 (2) 5" X 5" Classic Caps & Trims
 RAIL:
 (3) 1 1/2" X 5 1/2" X 192" Ribbed



NOTE: STAGGER JOINTS OF RAILS IN EVERY OTHER POST

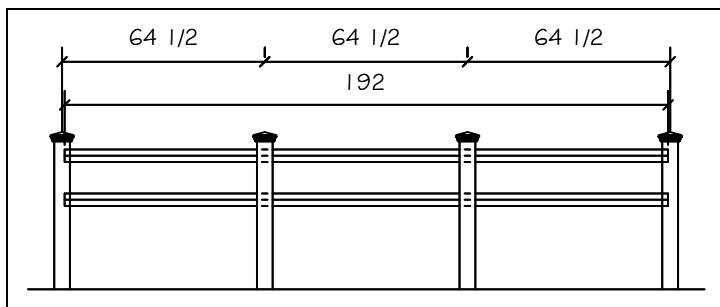


INSTALL FENCE POSTS PER KSPEC-004 EXCEPT POST DEPTH OF 25" AS SHOWN

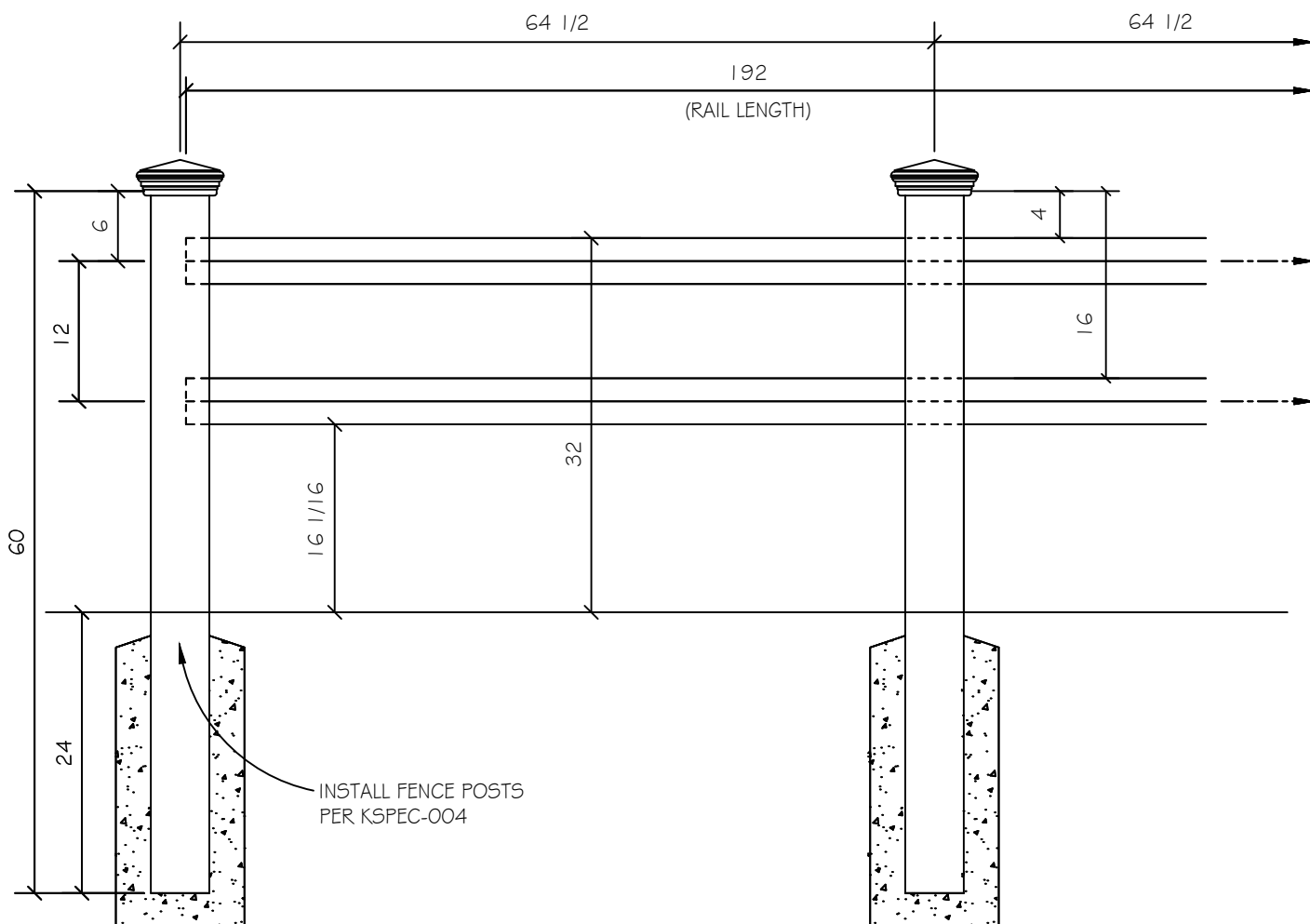
3ft 2-Rail Diamond Residential Ranch

REQ'D MATERIAL PER 16' SECTION

- POST:
(3) 5" X 5" 60"
- POST CAP:
(3) 5" X 5" Classic Cap & Trim
- RAIL:
(2) 3" X 3" X 192" Open



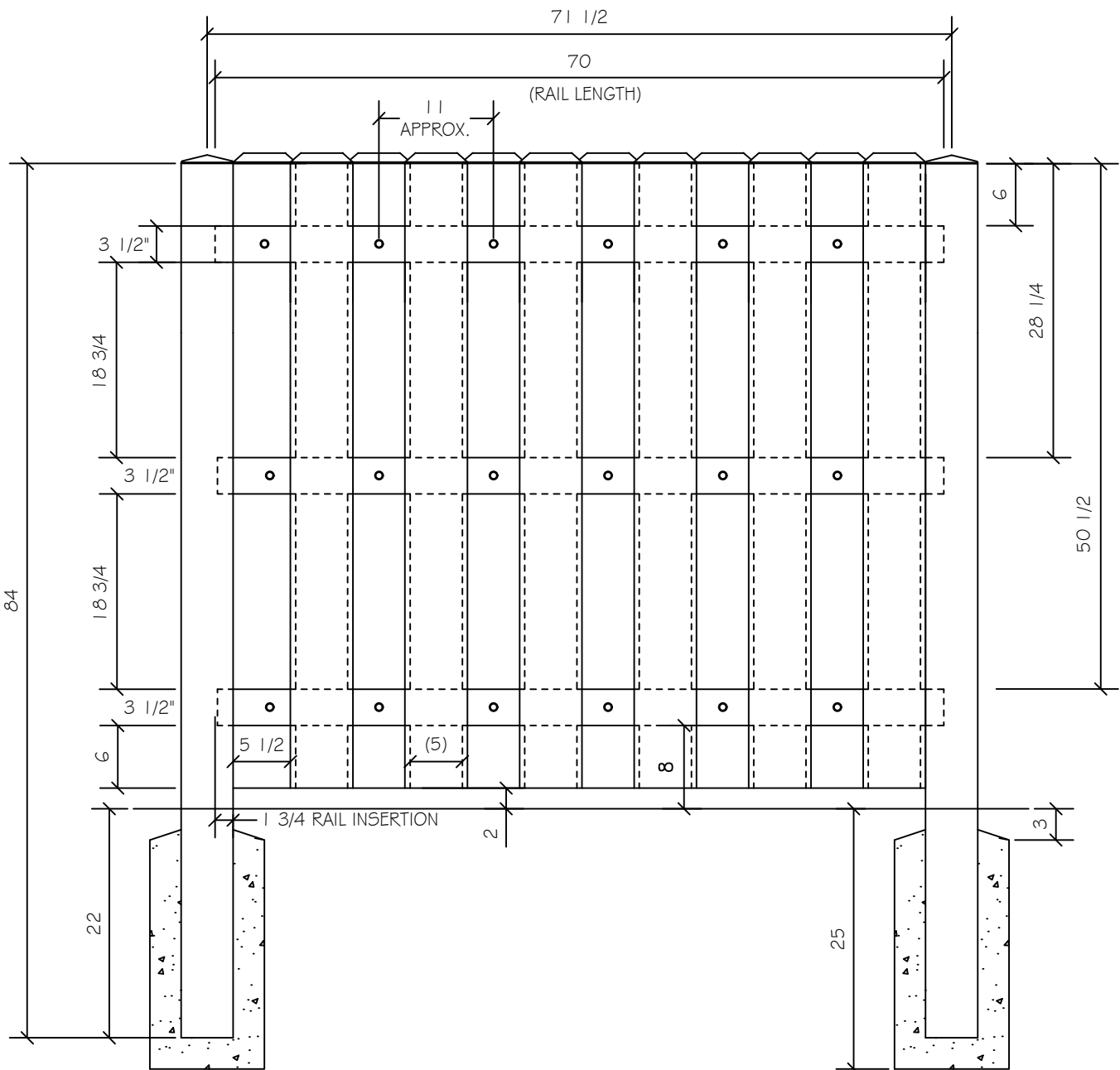
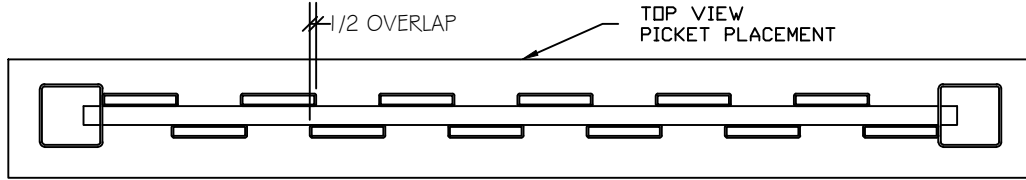
NOTE: STAGGER JOINTS OF RAILS IN EVERY OTHER POST



Shadow Box Fence

REQ'D MATERIAL PER 6' SECTION

- | | |
|---|--|
| POST:
(1) 5" X 5" X 84" | PICKET CAP:
(12) 7/8" X 6" Dog Ear Cap |
| POST CAP:
(1) 5" X 5" Internal Cap | HARDWARE:
(36) #14 - 3/4" Square Dr Pan |
| RAILS:
(3) 2" X 3 1/2" X 70" Open RW | (36) 5/8" Cap Plug |
| PICKET:
(12) 7/8" X 6" X 60" Ribbed | |



3-Rail Residential Ranch

REQ'D MATERIAL PER 16' SECTION

POST:

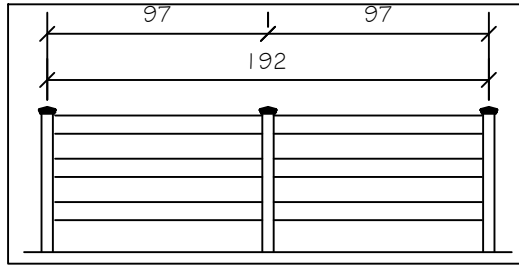
(2) 5" X 5" X 96"

POST CAP:

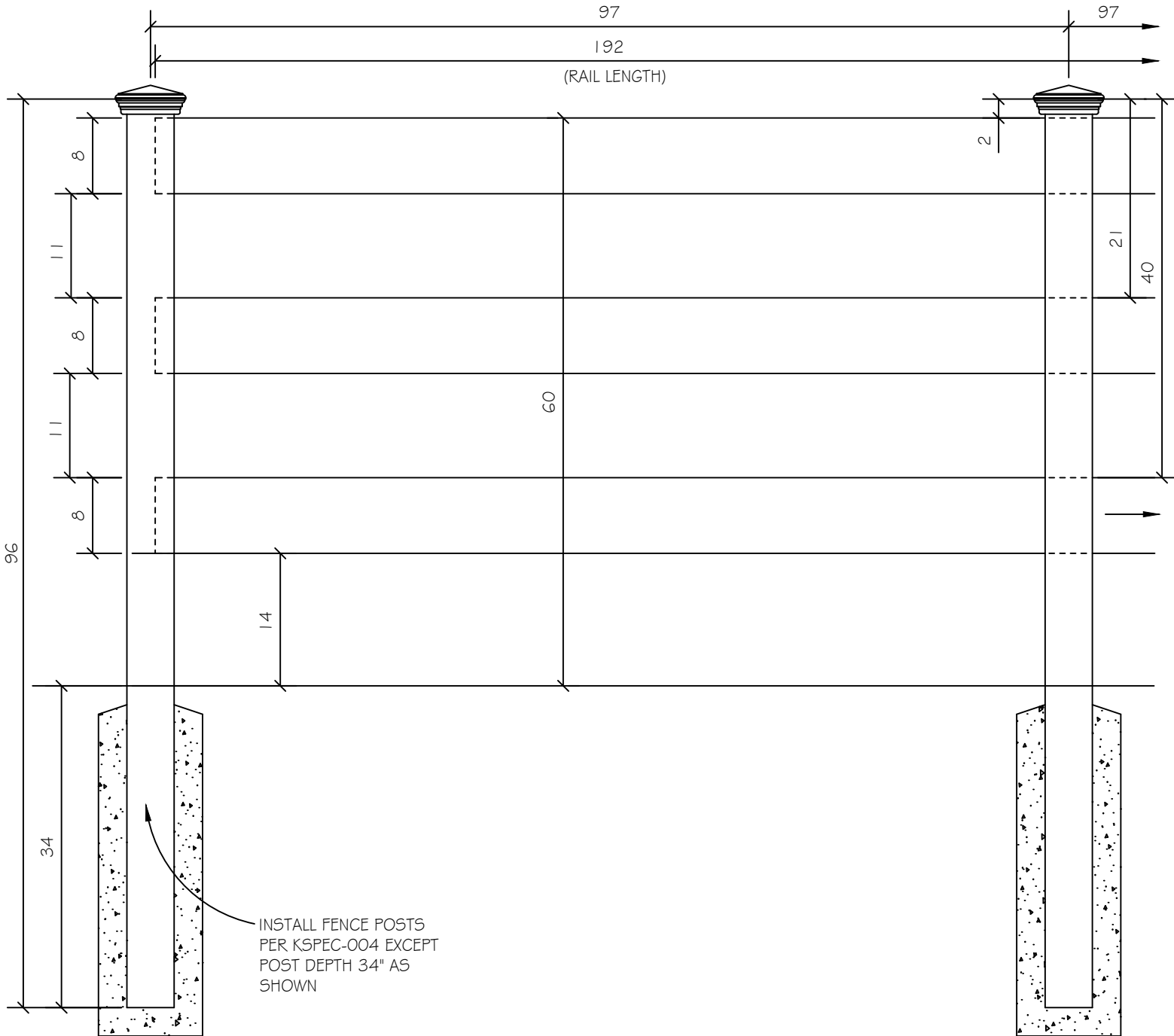
(2) 5" X 5" Classic Cap & Trim

RAIL:

(3) 2" X 8" X 192" Ribbed



NOTE: STAGGER JOINTS OF RAILS IN EVERY OTHER POST

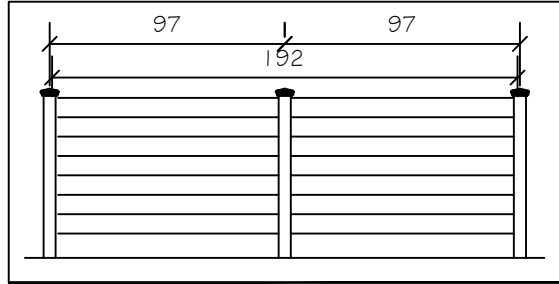


INSTALL FENCE POSTS PER KSPEC-004 EXCEPT POST DEPTH 34" AS SHOWN

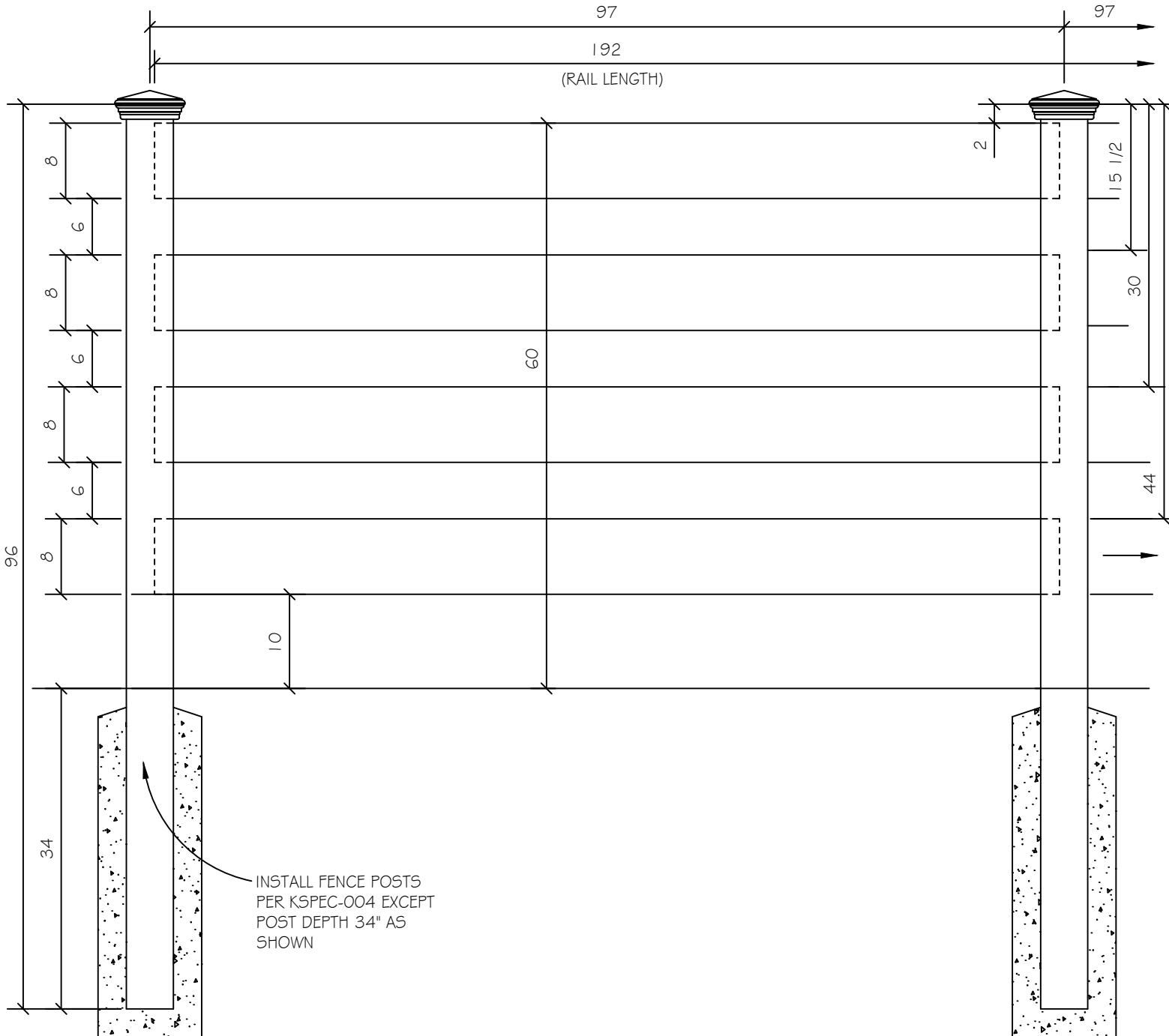
Section 15 4-Rail Residential Ranch

REQ'D MATERIAL PER 16' SECTION

- POST:
(2) 5" X 5" X 96"
- POST CAP:
(2) 5" X 5" Classic Cap & Trim
- RAIL:
(4) 2" X 8" X 192" Ribbed



NOTE: STAGGER JOINTS OF RAILS IN EVERY OTHER POST



100

P110

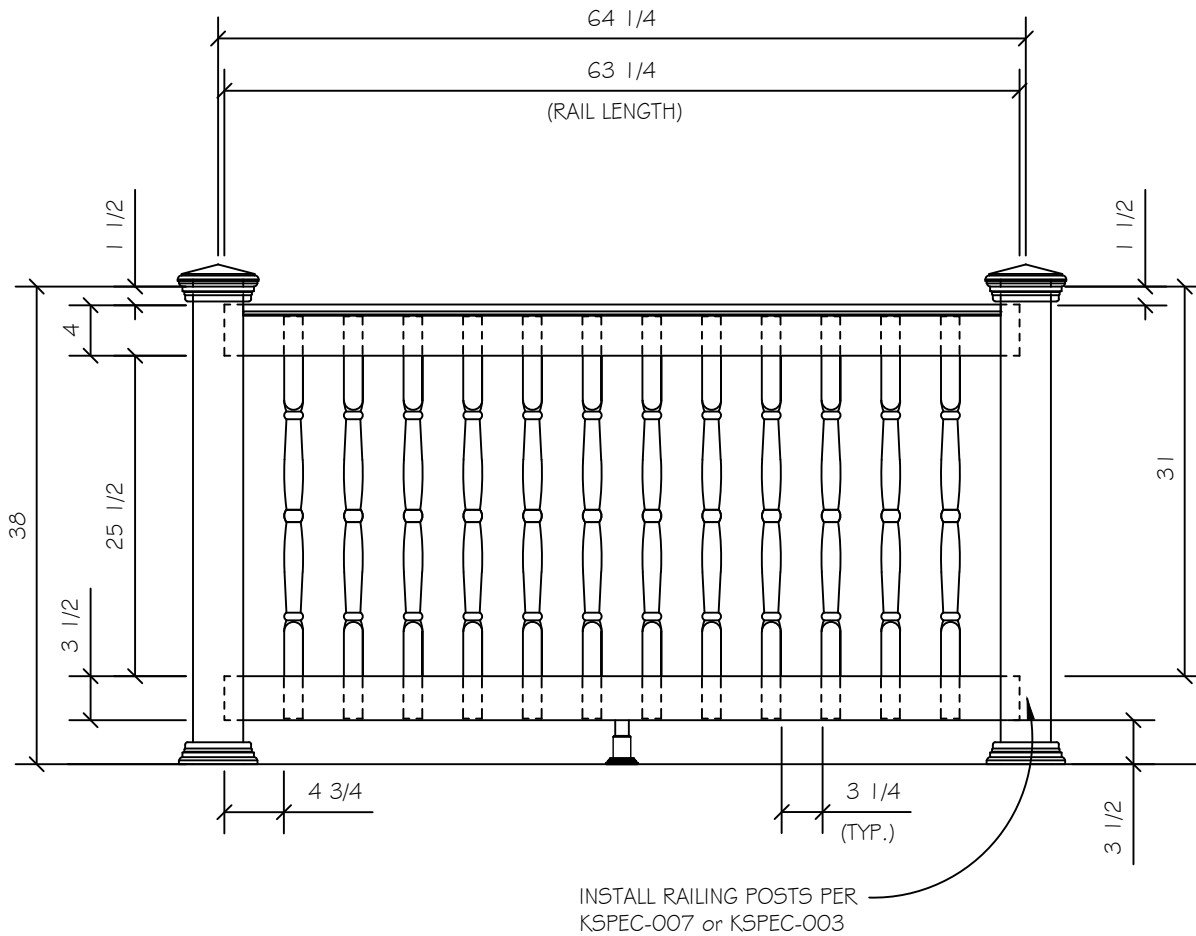
Sheet 1 of 2

3-01-04

3 ft High Decorative Cap Porch Rail (3 1/4 inch Gap)

- | | |
|--|--|
| POST:
(1) 4" x 4" x 38" | PICKET:
(12) 1-1/2" x 1-1/2" x 32" Spindle |
| POST CAP:
(1) 4" x 4" Classic Cap
(1) 4" x 4" Classic Trim | RAIL:
(2) 2" x 3-1/2" x 63-1/4" Open RW
(1) 1" x 3-1/2" x 63-1/4" Decorative Cap Rail
(1) 1" x 3-1/2" x 63-1/4" Aluminum Insert |
| BASE TRIM:
(1) 4" x 4" Classic Trim | FOOTBLOCK:
(1) Adjustable Footblock |

NOT INTENDED FOR PORCH RAIL SYSTEMS GREATER THAN 30" OFF THE GROUND. NOT TO BE USED FOR PORCH RAIL SYSTEMS THAT EXCEED EITHER THE RAIL HEIGHT OR THE RAIL LENGTH SHOWN IN THIS DRAWING.



5 ft Closed Picket Fence

2 inch Gap

REQ'D MATERIAL PER 6' SECTION

POST:

(1) 5" X 5" X 84"

POST CAP:

(1) 5" X 5" External Long Cap

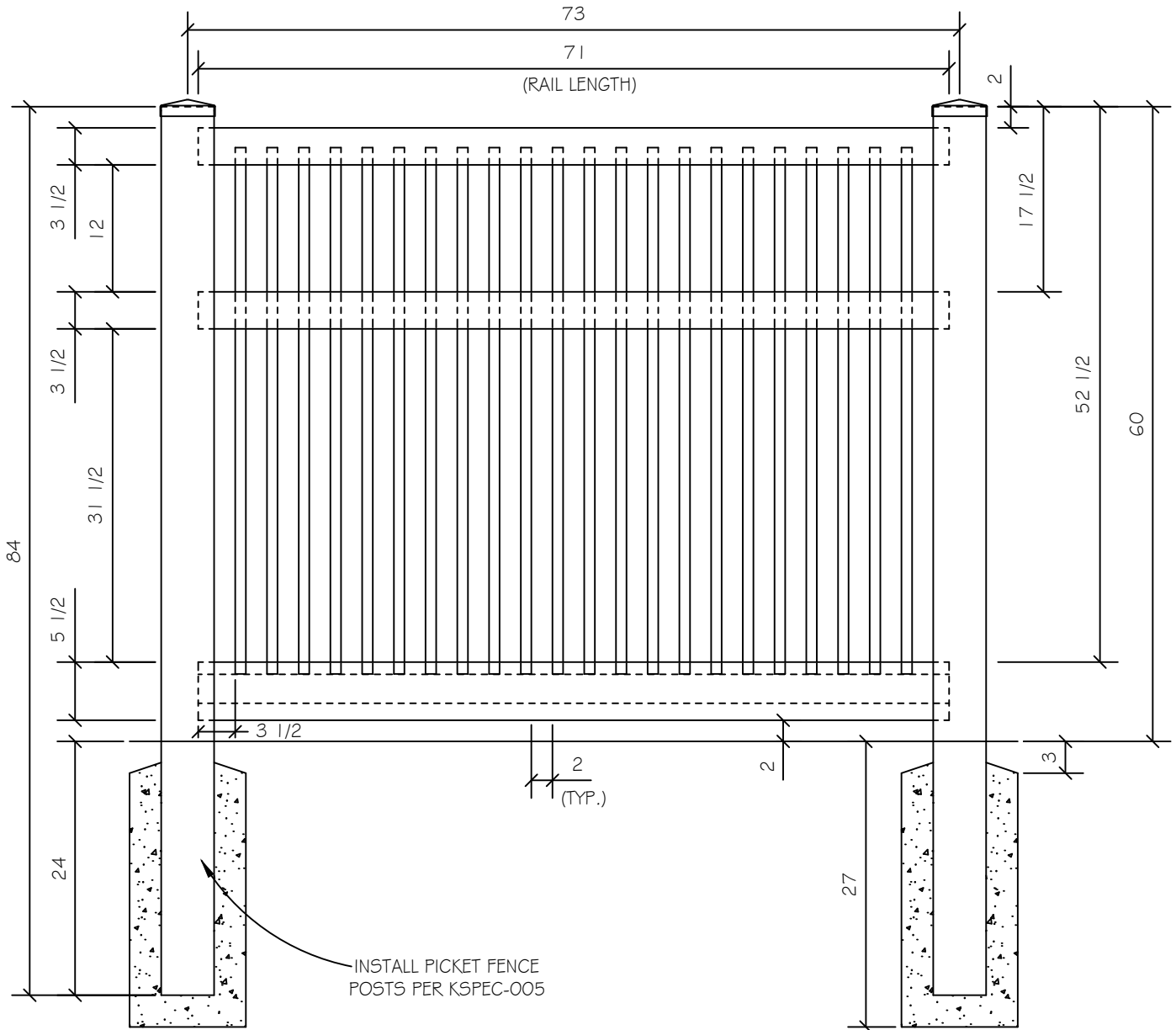
RAIL:

(2) 2" X 3 1/2" X 71" Open RW

(1) 1 1/2" X 5 1/2" X 71" Ribbed

PICKET:

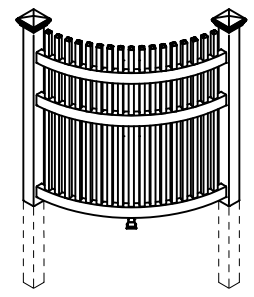
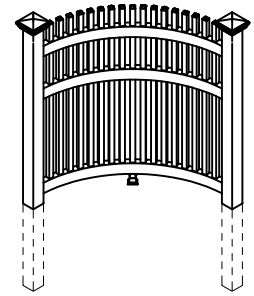
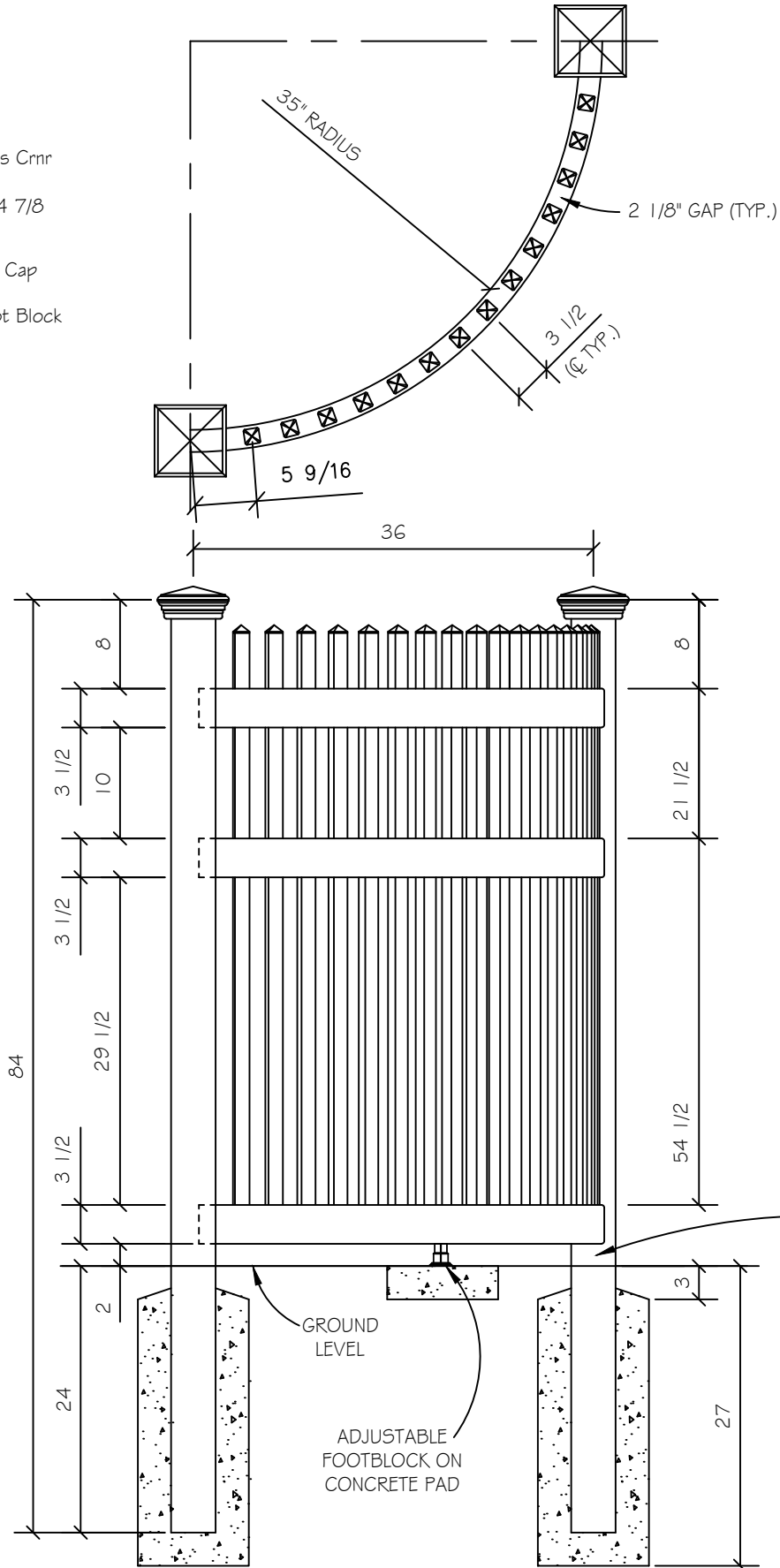
(22) 1" X 1" X 49 3/4"



5 ft Radiused Picket Fence

2 1/8 inch Gap

- POST:
 (1) 4 x 4 x 84
 POST CAP:
 (1) 4 x 4 Classic Cap
 (1) 4 x 4 Classic Trim
 RAIL:
 (3) 2 x 3 1/2 - 3' Radius Crnr
 PICKET:
 (14) 1 3/8 x 1 3/8 x 54 7/8
 (1) 1 3/8 x 1 3/8 x 12
 PICKET CAP:
 (14) 1 3/8 x 1 3/8 Sq Cap
 FOOT BLOCK:
 (1) 2 Pc Adjustable Foot Block

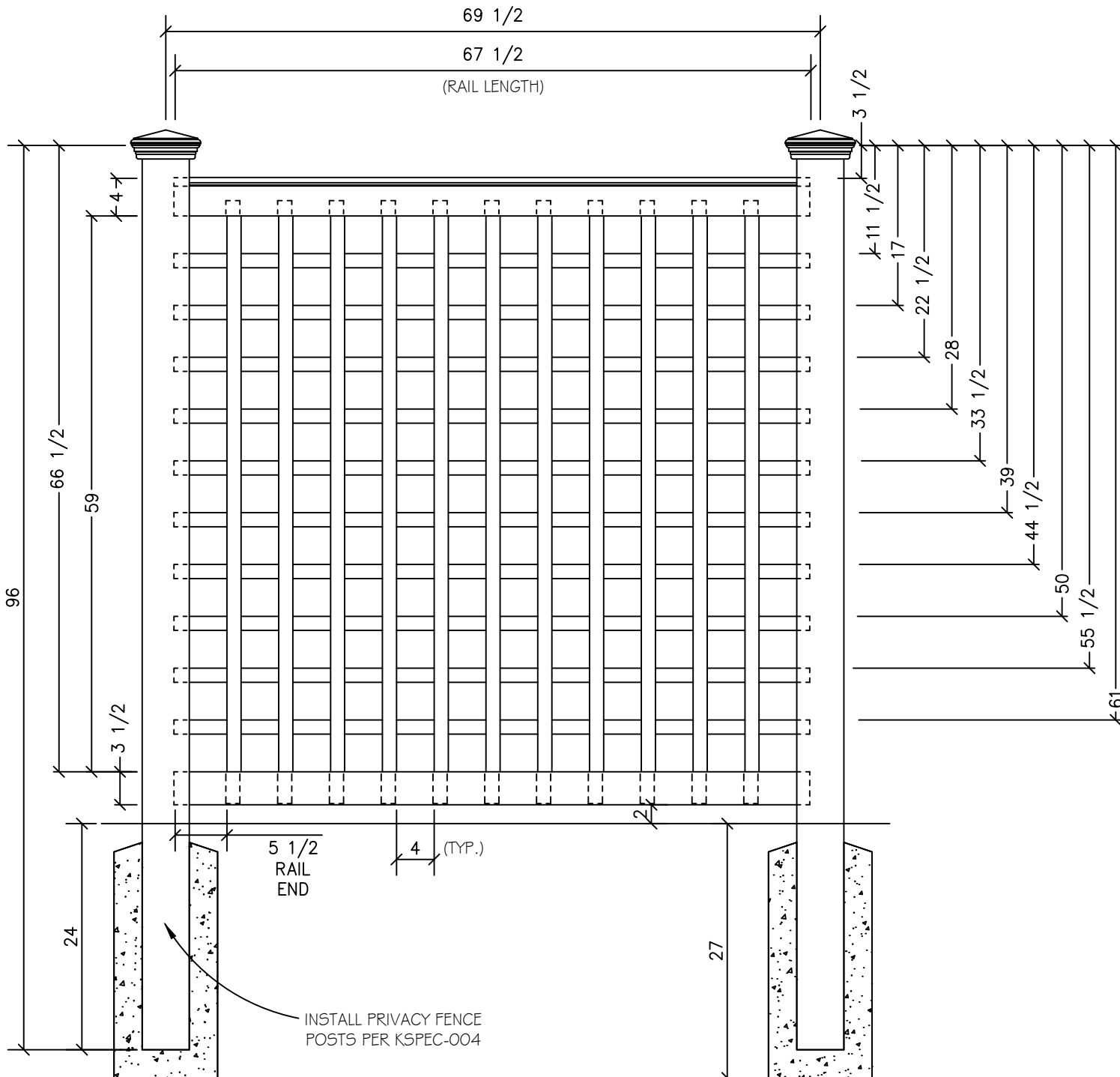


INSTALL PICKET FENCE POSTS PER KSPEC-005

6 ft Lattice Panel Fence

REQ'D MATERIAL PER 6' SECTION

- | | |
|--|--|
| POST: | PICKET: |
| (1) 5" X 5" X 96" | (11) 1 1/2" X 1 1/2" X 64 3/8" |
| POST CAP: | (10) 3/4" X 1 1/2" X 67 1/2" |
| (1) 5" X 5" Classic Cap & Trim | INSERT: |
| RAIL: | (1) 1 x 3 1/2 x 67 1/2 Aluminum Insert |
| (2) 2" X 3 1/2" X 67 1/2" Open RW | |
| (1) 1 x 3 1/2 x 67 1/2 Decorative Cap Rail | |

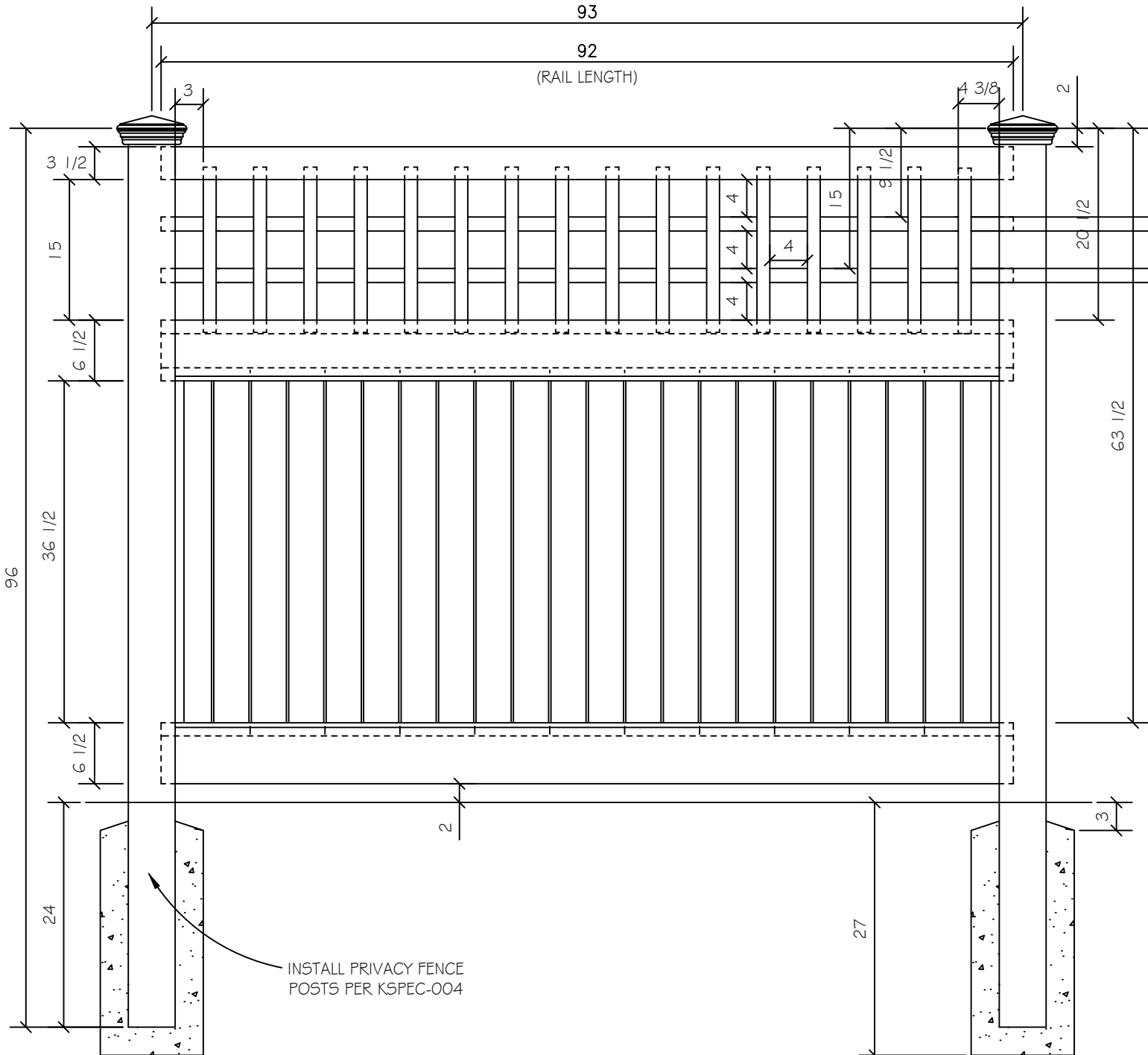


6 ft Privacy with 15" Routed Lattice Top

REQ'D MATERIAL PER 8' SECTION

- | | |
|---|---|
| POST:
(1) 5" X 5" X 96" | PICKET:
(16) 1 3/8" X 1 3/8" X 19" (Vertical) |
| POST CAP:
(1) 5" X 5" Classic Cap & Trim | (2) 3/4" X 1 1/2" X 92" (Horizontal) |
| RAIL:
(1) 2" X 3 1/2" X 92" Open RW
(2) 2" X 6 1/2" X 92" Slotted | (1) 1" X 8" X 39" T&G
U-CHANNEL:
(2) 1" U-Channel X 36 3/8"
RAIL INSERT:
(1) 2" X 3 1/2" X 92" Alum Insr L BX (P-Channel) |

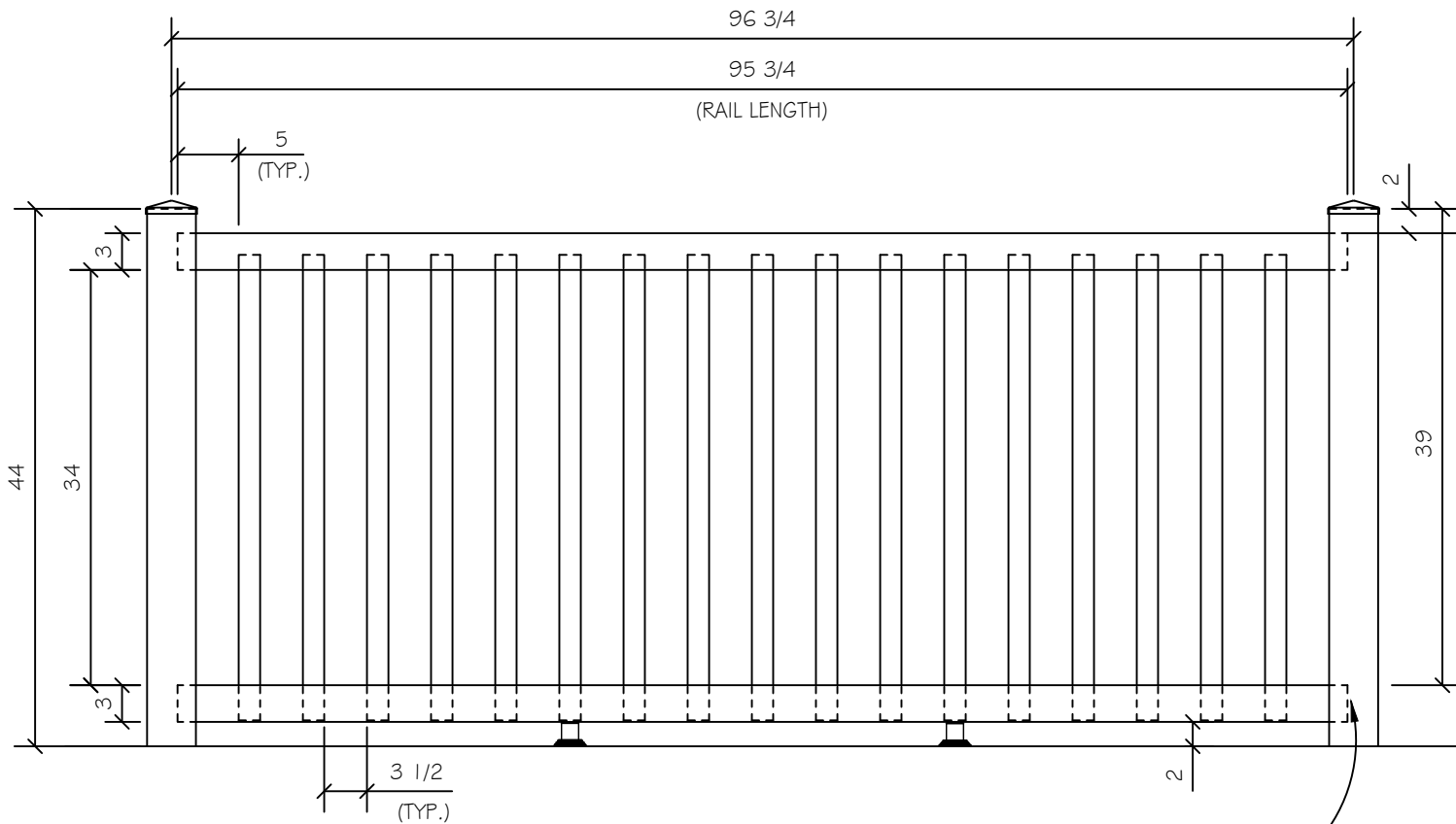
INSERT IS NOT REQUIRED ON WHITE, TAN OR SANDSTONE FENCE BOTTOM RAILS. ALL OTHER COLORS GREATER THAN 60" MUST INSTALL INSERT



3 1/2 ft High Reinforced Porch Rail (3 1/2 inch Gap)

- | | |
|--|--|
| POST:
(1) 4" x 4" x 44" | PICKET:
(17) 1-3/4" x 1-3/4" x 38" |
| POST CAP:
(1) 4" x 4" Decorative Cap | RAIL:
(2) 3" x 3" x 95-3/4" Open |
| INSERT:
(1) 3" x 3" x 95-3/4" Alum Insrtr | FOOTBLOCK:
(2) Adjustable Footblock |

NOT INTENDED FOR PORCH RAIL SYSTEMS GREATER THAN 30" OFF THE GROUND. NOT TO BE USED FOR PORCH RAIL SYSTEMS THAT EXCEED EITHER THE RAIL HEIGHT OR THE RAIL LENGTH SHOWN IN THIS DRAWING.



INSTALL RAILING POSTS PER
KSPEC-007 or KSPEC-003

Classic Arbor

Section 17



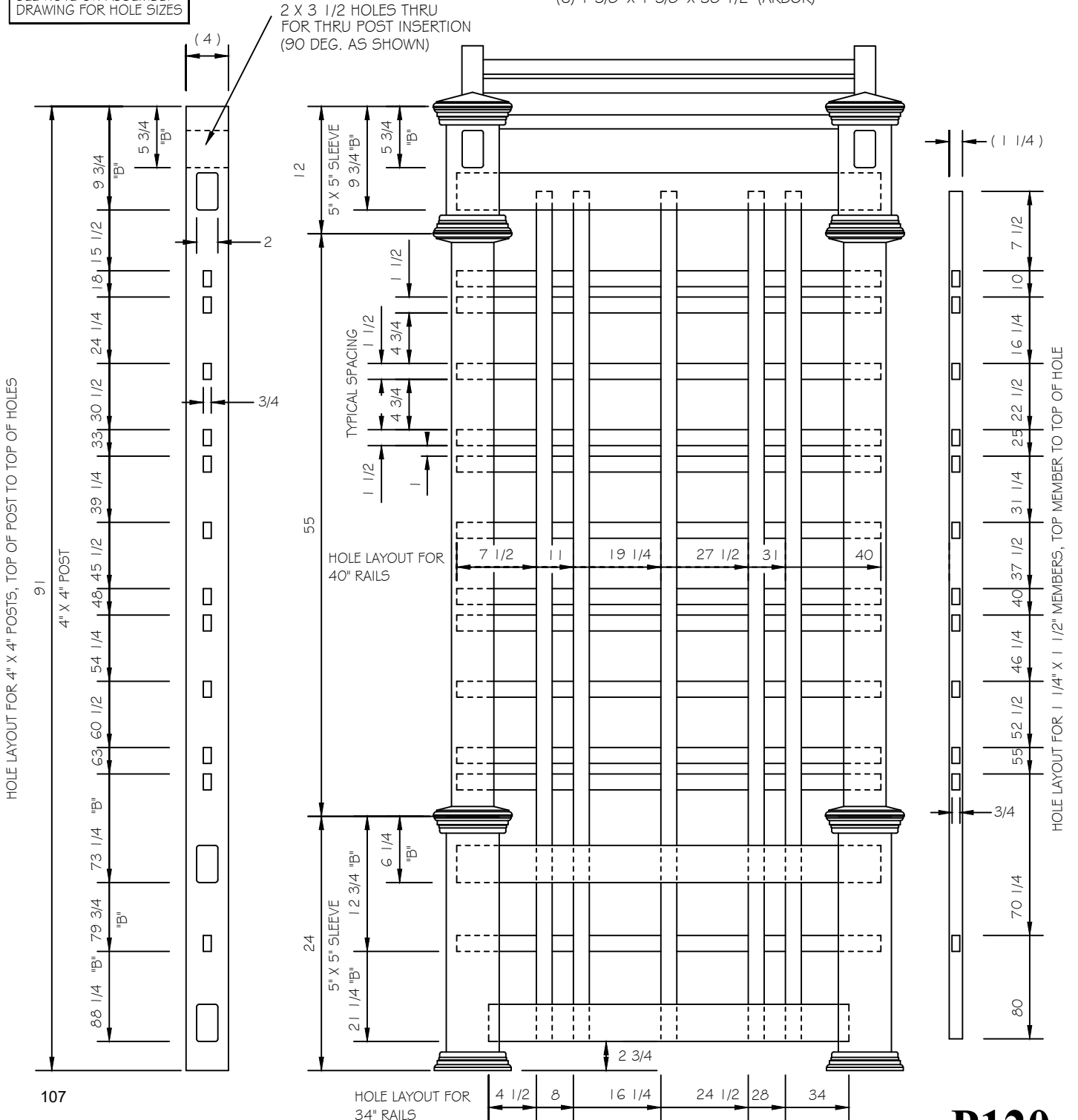
Classic Arbor

- POST:
 (4) 4" X 4" X 91" **
 (4) 5" X 5" X 12"
 (4) 5" X 5" X 24"

- LATTICE:
 (24) 7/8" X 1 1/2" X 40" HORIZ.
 (10) 1 1/2" X 1 1/4" X 80" VERT.

- POST CAPS AND TRIMS:
 (12) 5 X 5 CLASSIC CAP & TRIM ASSEMBLY
 (4) 5 X 5 CLASSIC TRIMS
 (4) 2" X 3 1/2" OPEN CAPS
- RAILS:
 (2) 2" X 3 1/2" ARBOR ARCH
 (4) 2" X 3 1/2" X 40" OPEN RW
 (2) 2" X 3 1/2" X 34" OPEN RW
 (6) 1 3/8" X 1 3/8" X 38 1/2" (ARBOR)

"B" DENOTES DIMENSION TO BOTTOM OF HOLE. SEE NOTE ON ASSEMBLY DRAWING FOR HOLE SIZES

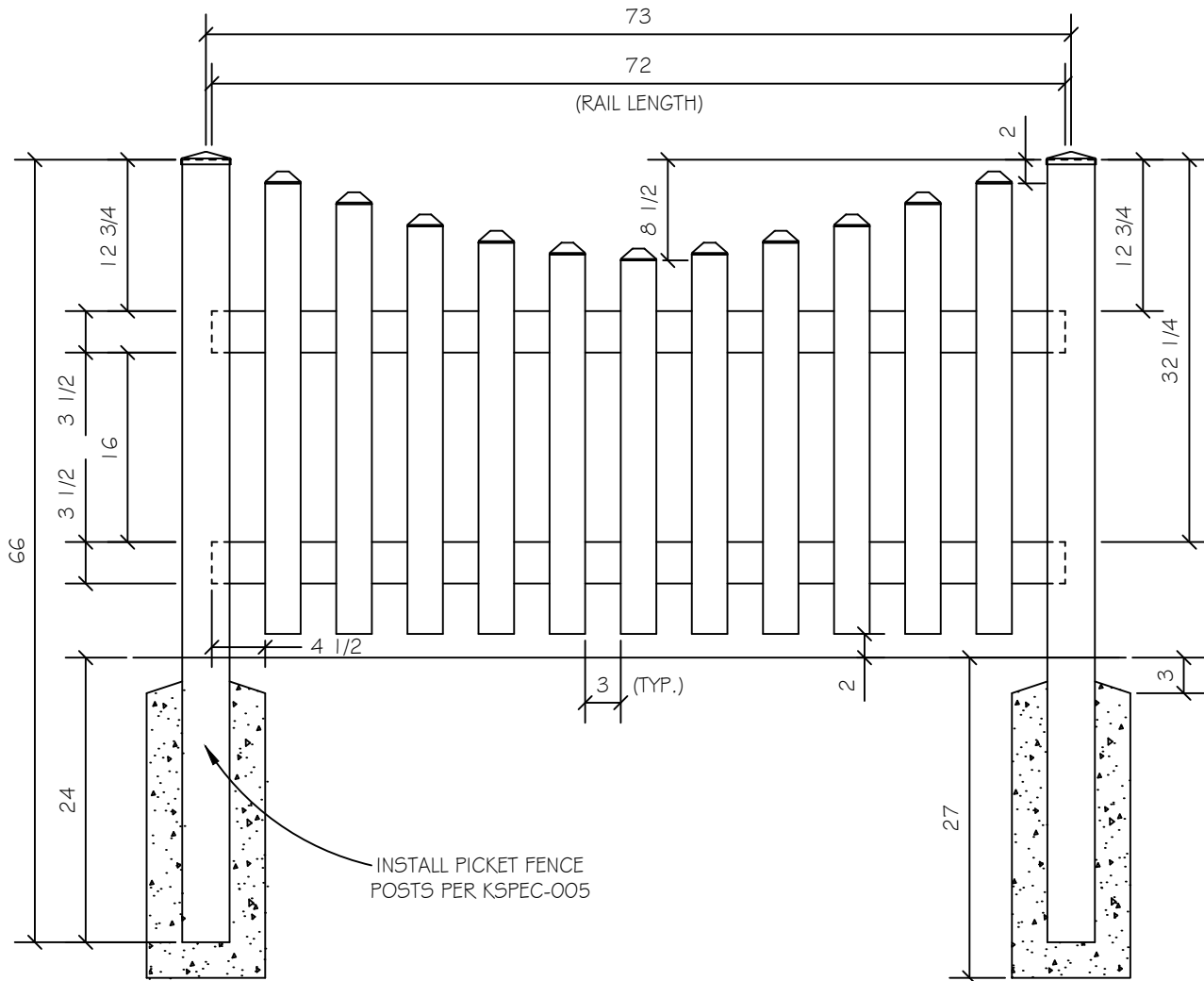


42 in. Scallop Picket Fence

3 inch Gap

REQ'D MATERIAL PER 6' SECTION

- | | |
|------------------------------------|-------------------------|
| POST: | PICKET: |
| (1) 4" X 4" X 66" | (2) 7/8" X 3" X 38" |
| POST CAP: | (2) 7/8" X 3" X 36 1/4" |
| (1) 4" X 4" Decorative Cap | (2) 7/8" X 3" X 34 3/8" |
| RAIL: | (2) 7/8" X 3" X 33" |
| (2) 2" X 3 1/2" X 72" Open RW | (2) 7/8" X 3" X 32" |
| PICKET CAP: | (1) 7/8" X 3" X 31 1/2" |
| (1) 7/8" X 3" Dog Ear Cap | |
| HARDWARE: | |
| (22) 5/8" Cap Plug | |
| (22) 3/16" M Balbex Rivet 1/4" Grp | |

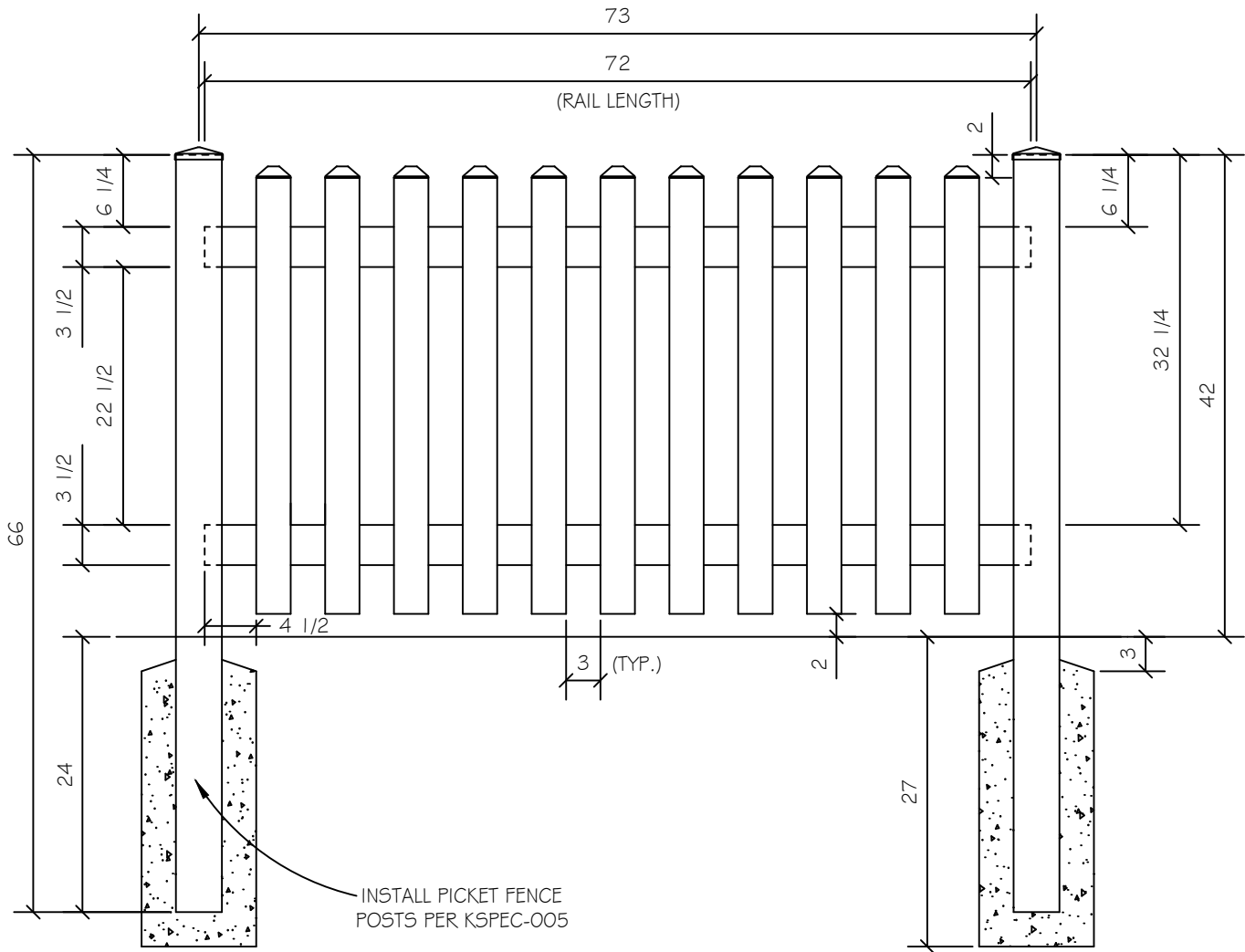


42 in. Straight Picket Fence

3 inch Gap

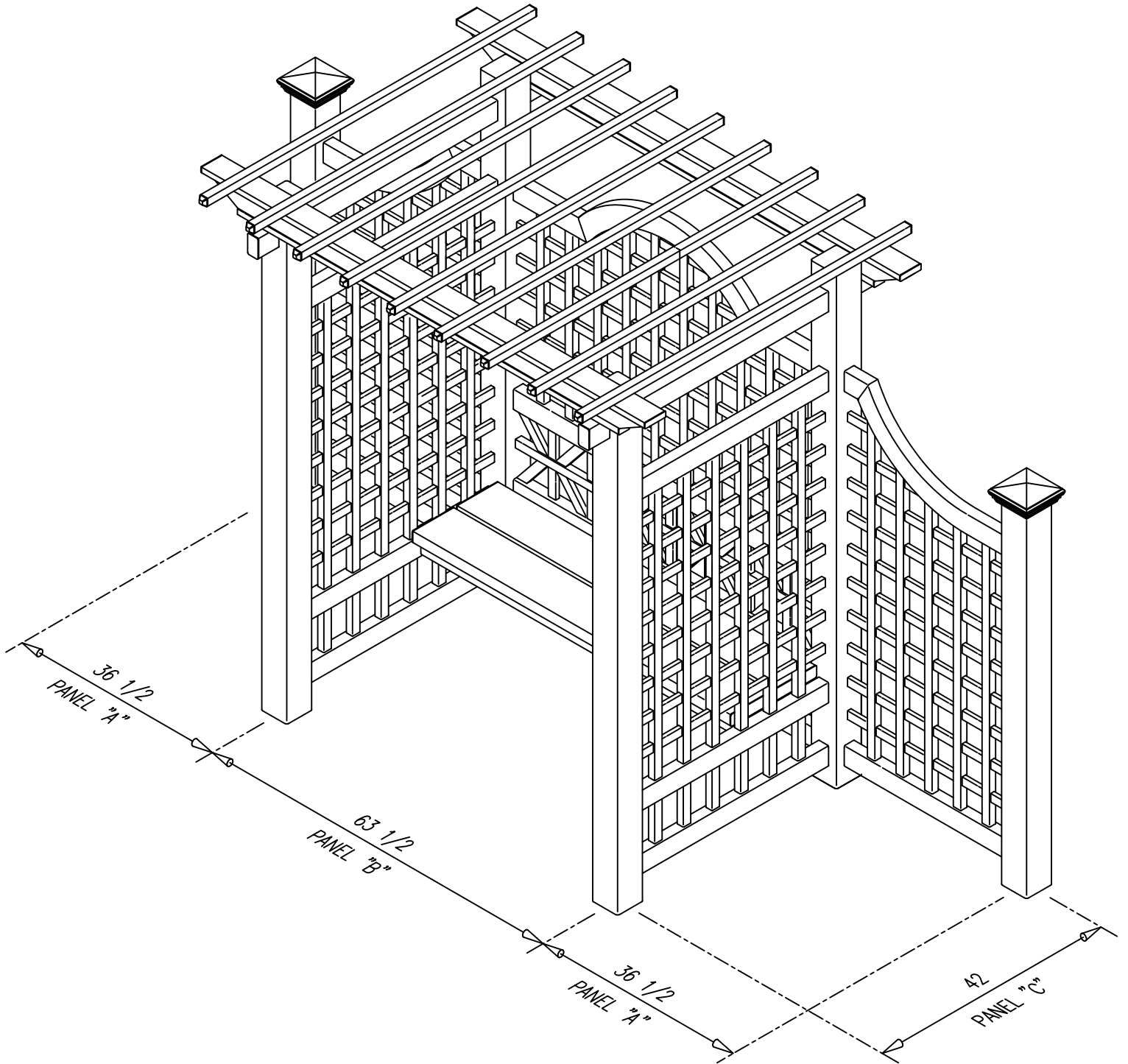
REQ'D MATERIAL PER 6' SECTION

- | | |
|-------------------------------|------------------------------------|
| POST: | PICKET: |
| (1) 4" X 4" X 66" | (11) 7/8" X 3" X 38" |
| POST CAP: | PICKET CAP: |
| (1) 4" X 4" Decorative Cap | (11) 7/8" X 3" Dog Ear Cap |
| RAIL: | HARDWARE: |
| (2) 2" X 3 1/2" X 72" Open RW | (22) 5/8" Cap Plug |
| | (22) 3/16" M Balbex Rivet 1/4" Grp |



INSTALL PICKET FENCE POSTS PER KSPEC-005

Signature Arbor



4 1/2 ft 1x2 Closed Picket Pool Fence

3 3/4 inch Gap

REQ'D MATERIAL PER 6' SECTION

POST:

(1) 4" X 4" X 78"

POST CAP:

(1) 4" X 4" Decorative Cap

RAIL:

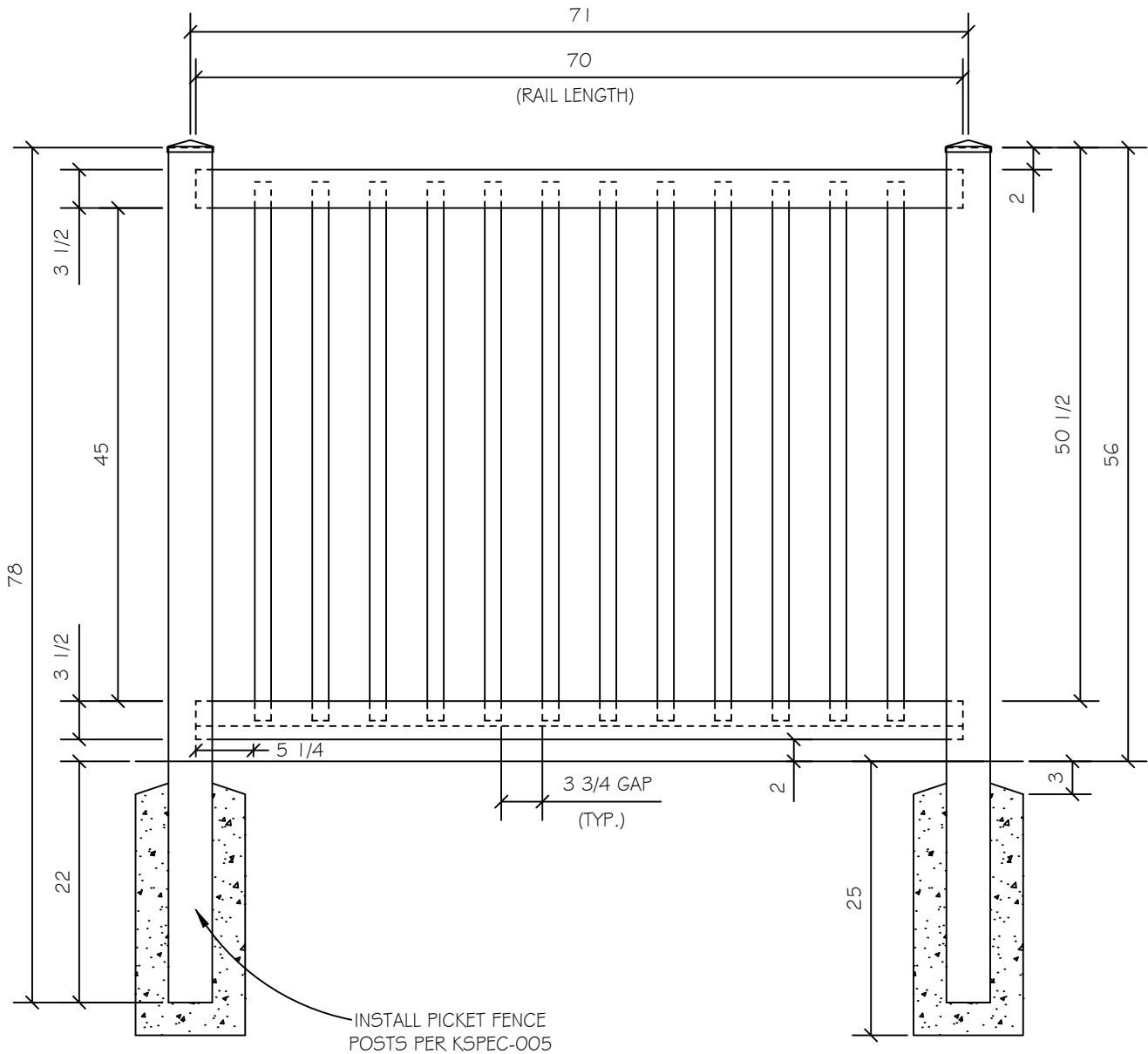
(2) 2" X 3 1/2" X 70" Open RW

PICKET:

(12) 7/8" X 1 1/2" X 49"

INSERT:

(1) 2 x 3 1/2 x 70 Alum Insr L BX



MEETS IBC (INTERNATIONAL BUILDING CODE) REQUIREMENTS FOR SWIMMING POOL ENCLOSURES, SECTION 3109, AND IRC (INTERNATIONAL RESIDENTIAL CODE) REQUIREMENTS FOR SWIMMING POOL ENCLOSURES, SECTION AG105. CHECK WITH YOUR LOCAL BUILDING CODE OFFICIALS TO MAKE SURE THEY ACCEPT THESE DIMENSIONAL LIMITATIONS.

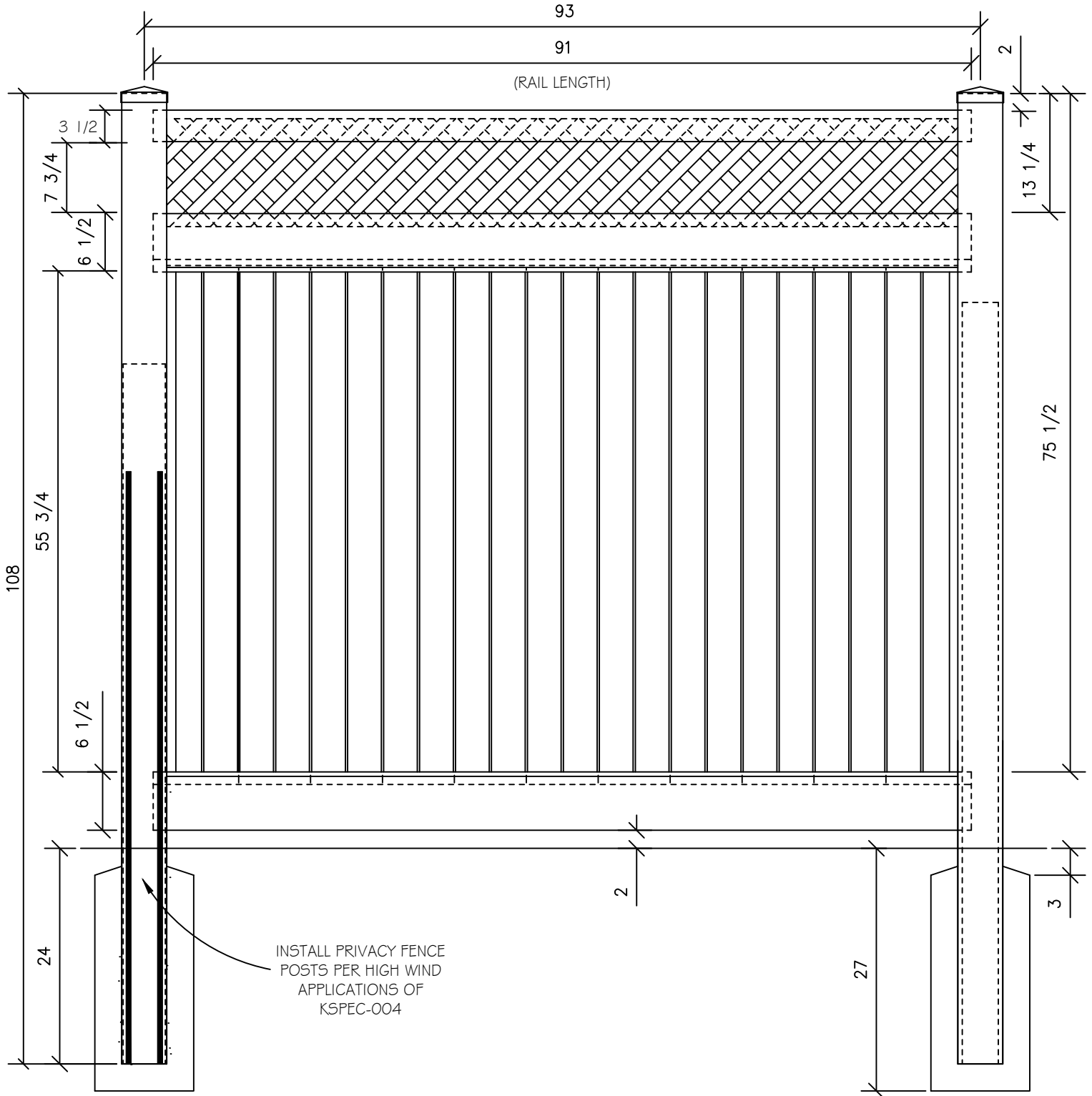
7 ft Privacy Fence with 7 3/4" Lattice Top

REQ'D MATERIAL PER 8' SECTION

- POST:**
 (1) 5" X 5" X 108"
POST CAP:
 (1) 5" X 5" External Long Cap
RAIL:
 (1) 2" X 3 1/2" X 91" Open RW
 (2) 2" X 6 1/2" X 91" Slotted
PICKET:
 (1) 1" X 8" X 57 3/4" T&G

- LATTICE:**
 (1) 12" X 88" Lattice Diamond
U-CHANNEL:
 (2) 1" U-Channel X 55 5/8"
RAIL INSERT:
 (1) 2" X 3 1/2" X 91" Alum Insr L BX (P-Channel)

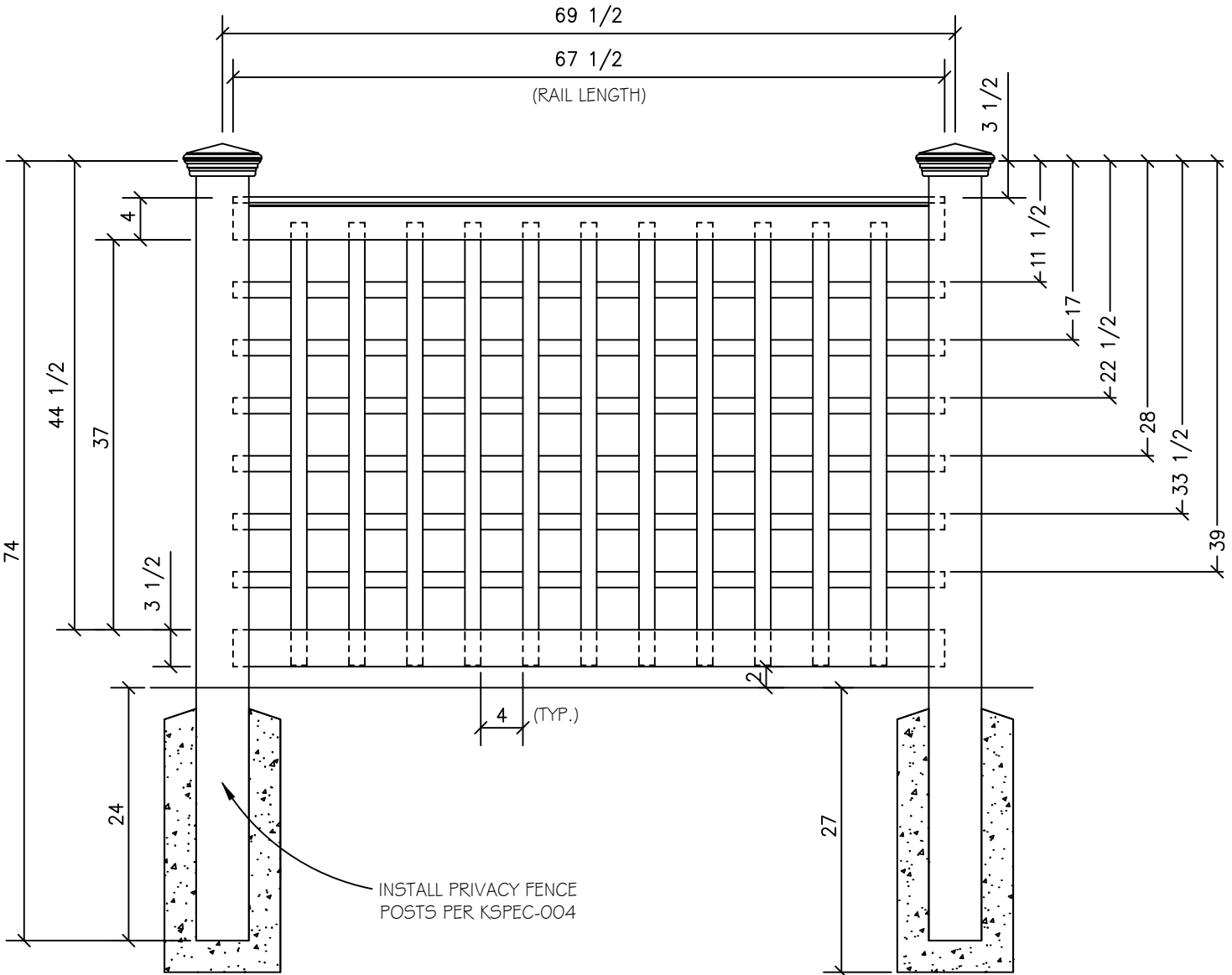
INSERT IS NOT REQUIRED ON WHITE, TAN OR SANDSTONE FENCE BOTTOM RAILS. ALL OTHER COLORS GREATER THAN 60" MUST INSTALL INSERT



4 ft Lattice Panel Fence

REQ'D MATERIAL PER 6' SECTION

- | | |
|--|--|
| POST: | PICKET: |
| (1) 5" X 5" X 74" | (11) 1 1/2" X 1 1/2" X 42 3/8" |
| POST CAP: | (6) 3/4" X 1 1/2" X 67 1/2" |
| (1) 5" X 5" Classic Cap & Trim | |
| RAIL: | INSERT: |
| (2) 2" X 3 1/2" X 67 1/2" Open RW | (1) 1 x 3 1/2 x 67 1/2 Aluminum Insert |
| (1) 1 x 3 1/2 x 67 1/2 Decorative Cap Rail | |



5 ft Lattice Panel Fence

REQ'D MATERIAL PER 6' SECTION

POST:

(1) 5" X 5" X 85"

POST CAP:

(1) 5" X 5" Classic Cap & Trim

RAIL:

(2) 2" X 3 1/2" X 67 1/2" Open RW

(1) 1 x 3 1/2 x 67 1/2 Decorative Cap Rail

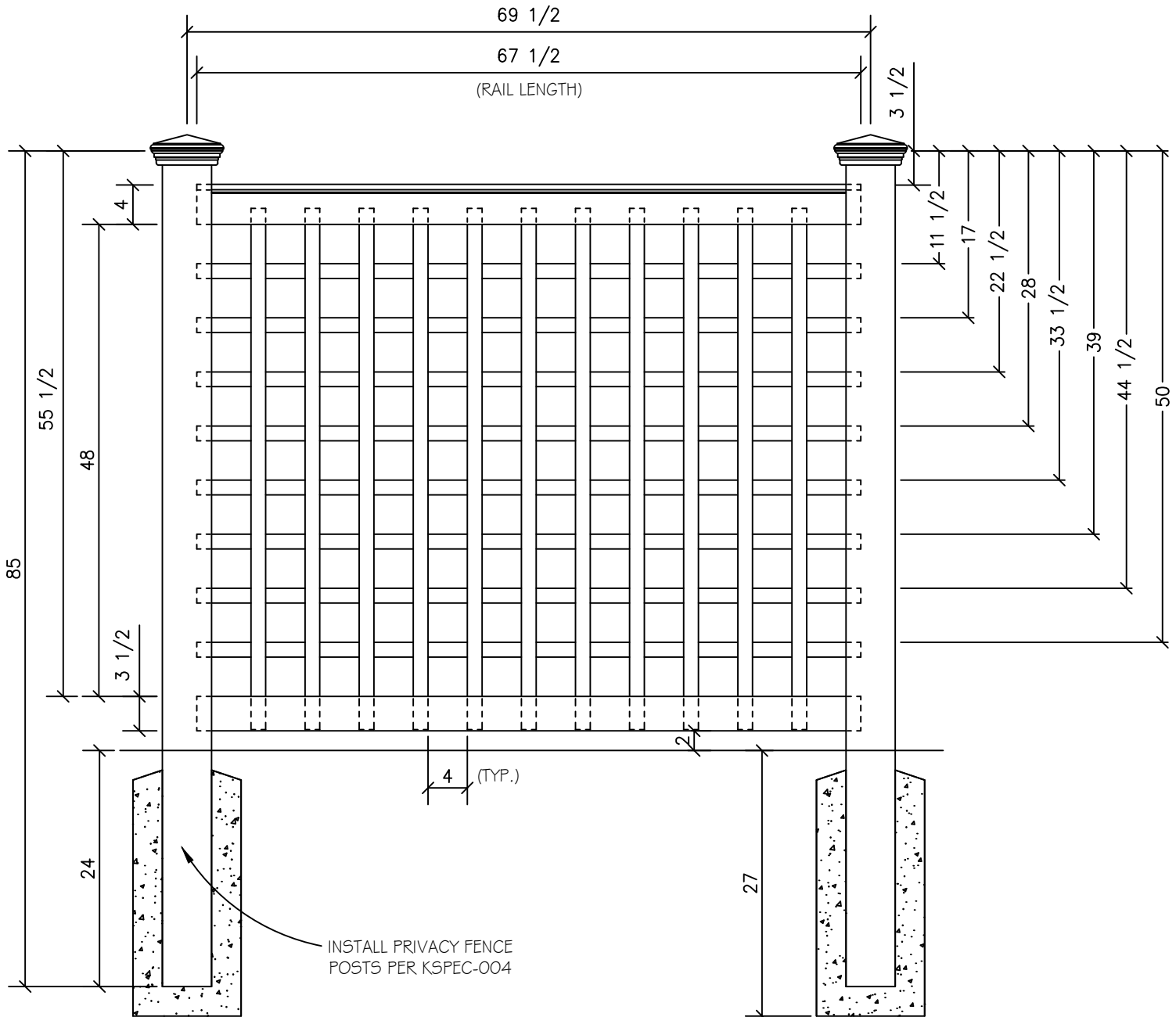
PICKET:

(11) 1 1/2" X 1 1/2" X 53 3/8"

(8) 3/4" X 1 1/2" X 67 1/2"

INSERT:

(1) 1 x 3 1/2 x 67 1/2 Aluminum Insert

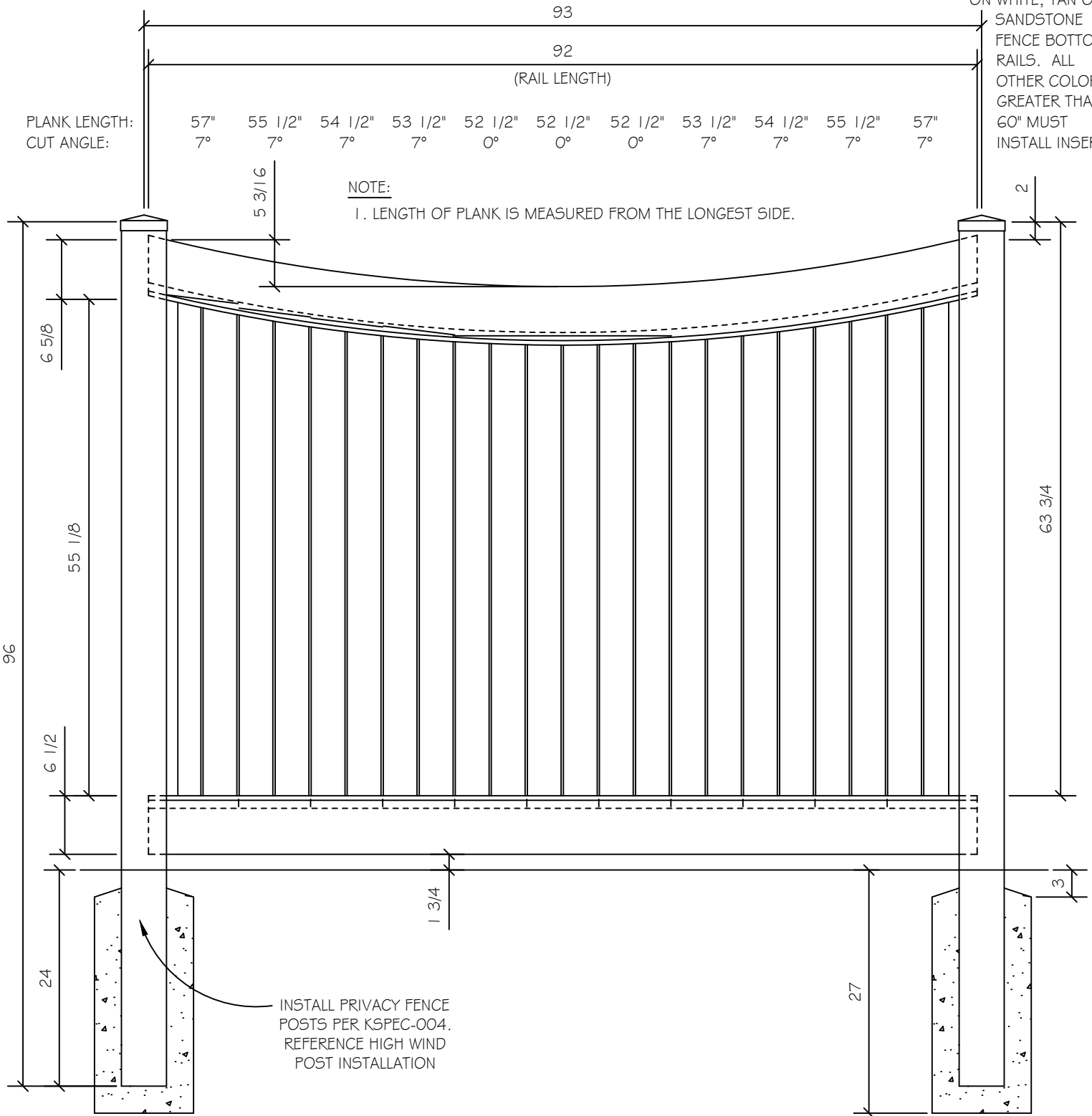


6 ft Scallop Privacy Fence

REQ'D MATERIAL PER 8' SECTION

- | | |
|------------------------------------|--|
| POST: | PICKET: |
| (1) 5" X 5" X 96" | (1) 1" X 8" X LENGTH AS SHOWN |
| POST CAP: | T & G |
| (1) 5" X 5" External Long Cap | RAIL INSERT: |
| RAIL: | (1) 2" x 3 1/2" x 92" Alum Insr L BX (P-CHANNEL) |
| (1) 2" X 6 1/2" X 92" Slotted | U-CHANNEL: |
| (1) 2" X 6 1/2" X 92" (8' 6" DROP) | (2) 1" U-Channel x 54 7/8" |

INSERT IS NOT REQUIRED ON WHITE, TAN OR SANDSTONE FENCE BOTTOM RAILS. ALL OTHER COLORS GREATER THAN 60" MUST INSTALL INSERT

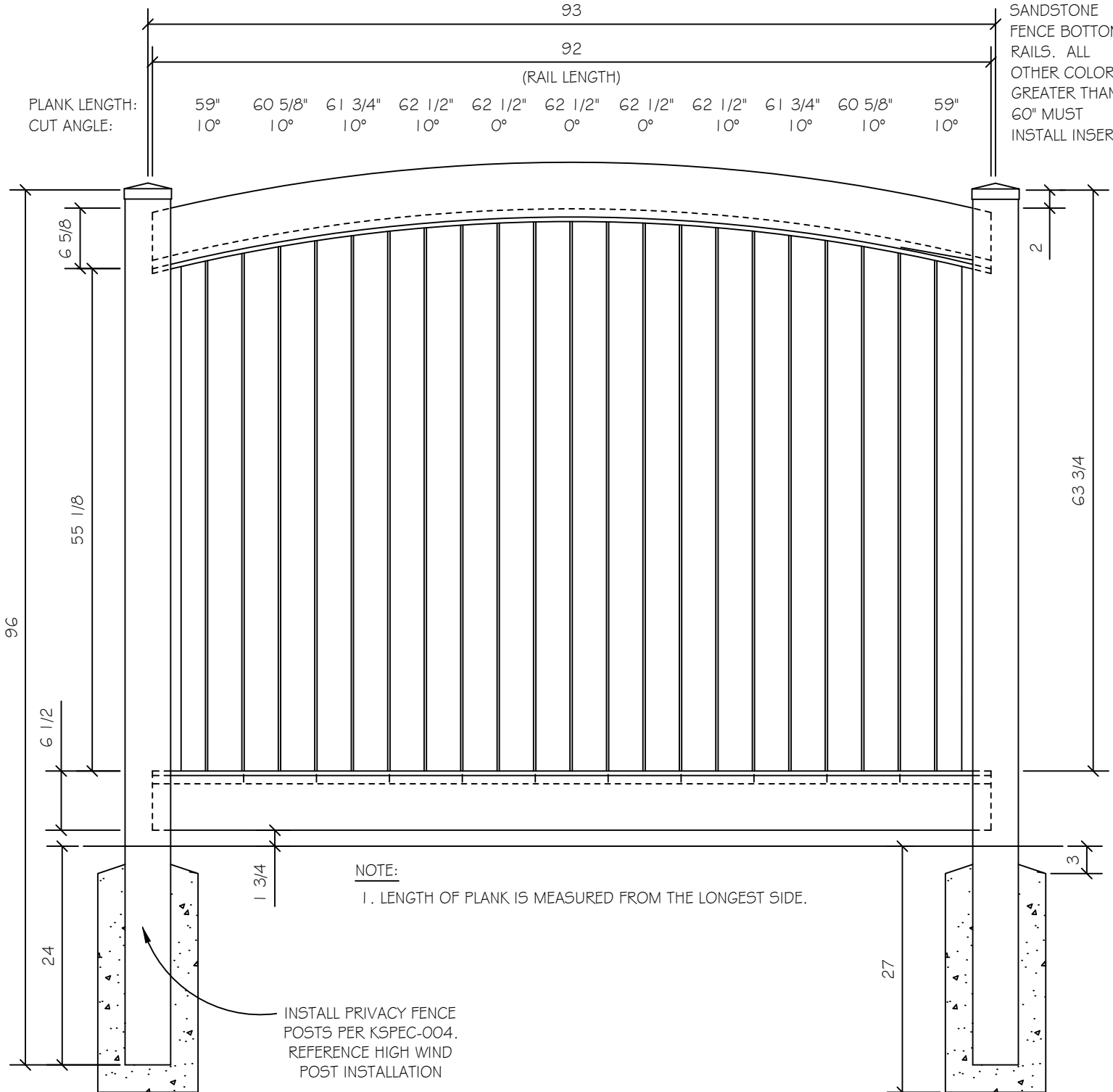


6 ft Inverted Privacy Fence

REQ'D MATERIAL PER 8' SECTION

- | | |
|------------------------------------|---|
| POST: | PICKET: |
| (1) 5" X 5" X 96" | (1) 1" X 8" X LENGTH AS SHOWN |
| POST CAP: | T & G |
| (1) 5" X 5" External Long Cap | RAIL INSERT: |
| RAIL: | (1) 2" X 3 1/2" X 92" Alum Insrt L BX (P-Channel) |
| (1) 2" X 6 1/2" X 92" Slotted | U-CHANNEL: |
| (1) 2" X 6 1/2" X 92" (8' 6" RISE) | (2) 1" U-Channel x 55" |

INSERT IS NOT REQUIRED ON WHITE, TAN OR SANDSTONE FENCE BOTTOM RAILS. ALL OTHER COLORS GREATER THAN 60" MUST INSTALL INSERT

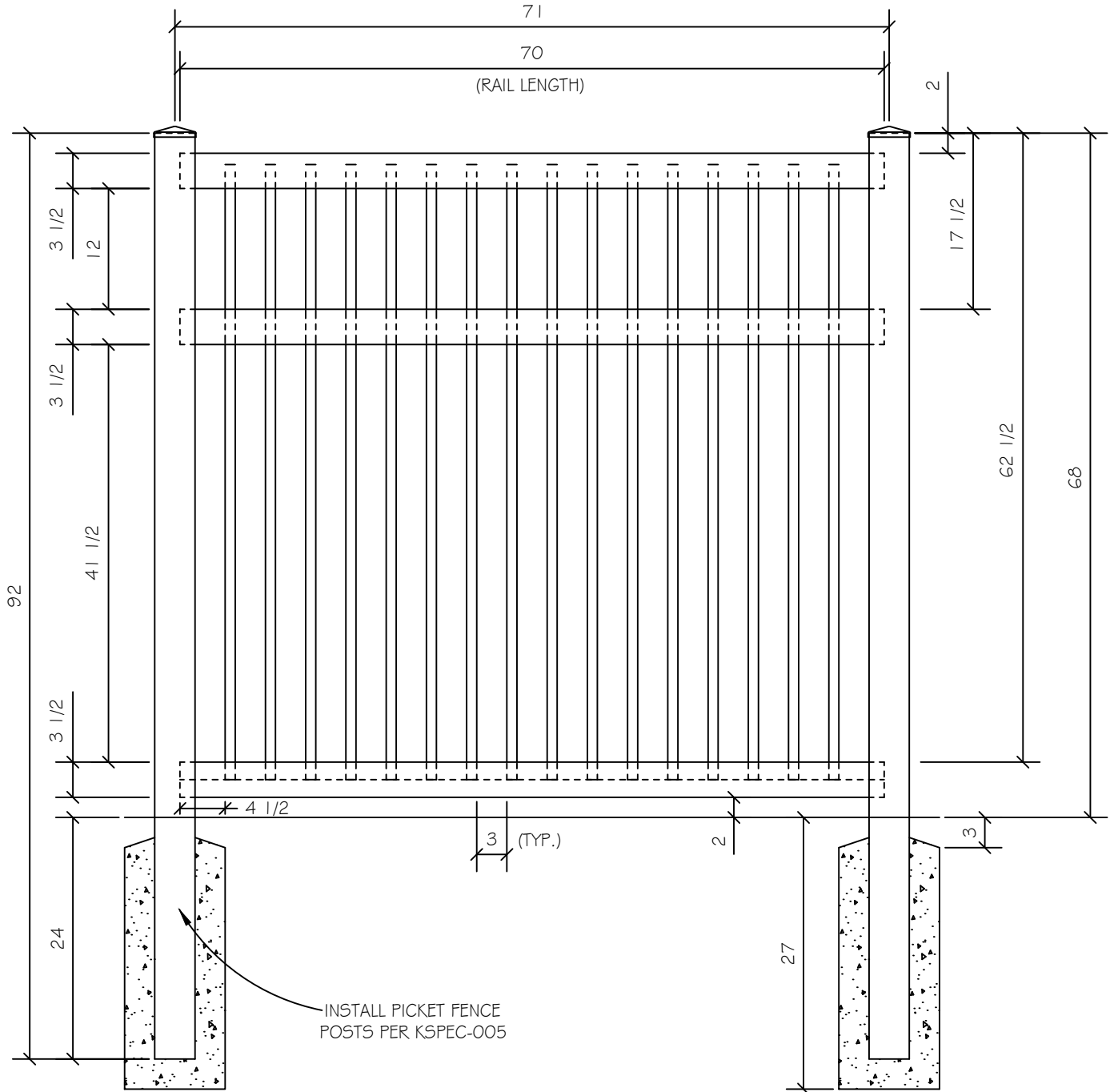


5 1/2 ft Closed 1x1 Picket Pool Fence

3 inch Gap

REQ'D MATERIAL PER 6' SECTION

- | | |
|----------------------------|------------------------------------|
| POST: | RAIL: |
| (1) 4" X 4" X 92" | (3) 2" X 3 1/2" X 70" Open RW |
| POST CAP: | PICKET: |
| (1) 4" X 4" Decorative Cap | (16) 1" X 1" X 61" |
| | INSERT: |
| | (1) 2 x 3 1/2 x 70 Alum Insrt L BX |



MEETS IBC (INTERNATIONAL BUILDING CODE) REQUIREMENTS FOR SWIMMING POOL ENCLOSURES, SECTION 3109, AND IRC (INTERNATIONAL RESIDENTIAL CODE) REQUIREMENTS FOR SWIMMING POOL ENCLOSURES, SECTION AG105. CHECK WITH YOUR LOCAL BUILDING CODE OFFICIALS TO MAKE SURE THEY ACCEPT THESE DIMENSIONAL LIMITATIONS.

4 ft Closed 1x2 Picket Pool Fence

3 3/4 inch Gap

REQ'D MATERIAL PER 8' SECTION

POST:

(1) 4" X 4" X 76 1/2"

POST CAP:

(1) 4" X 4" Decorative Cap

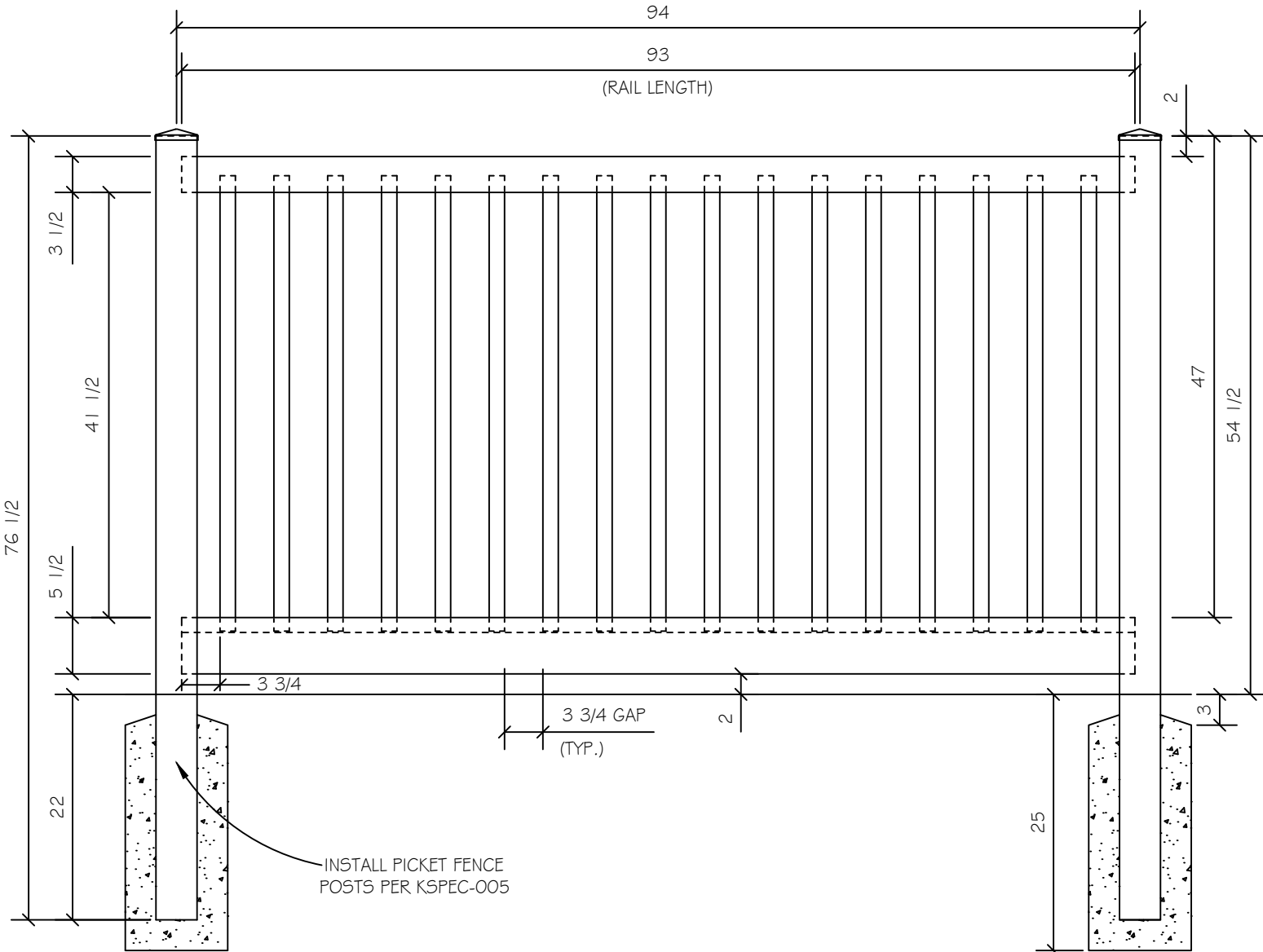
RAIL:

(1) 2" X 3 1/2" X 93" Open RW

(1) 1 1/2" X 5 1/2" X 93" Ribbed

PICKET:

(17) 7/8" X 1 1/2" X 44 1/2"



MEETS IBC (INTERNATIONAL BUILDING CODE) REQUIREMENTS FOR SWIMMING POOL ENCLOSURES, SECTION 3109, AND IRC (INTERNATIONAL RESIDENTIAL CODE) REQUIREMENTS FOR SWIMMING POOL ENCLOSURES, SECTION AG105. CHECK WITH YOUR LOCAL BUILDING CODE OFFICIALS TO MAKE SURE THEY ACCEPT THESE DIMENSIONAL LIMITATIONS.

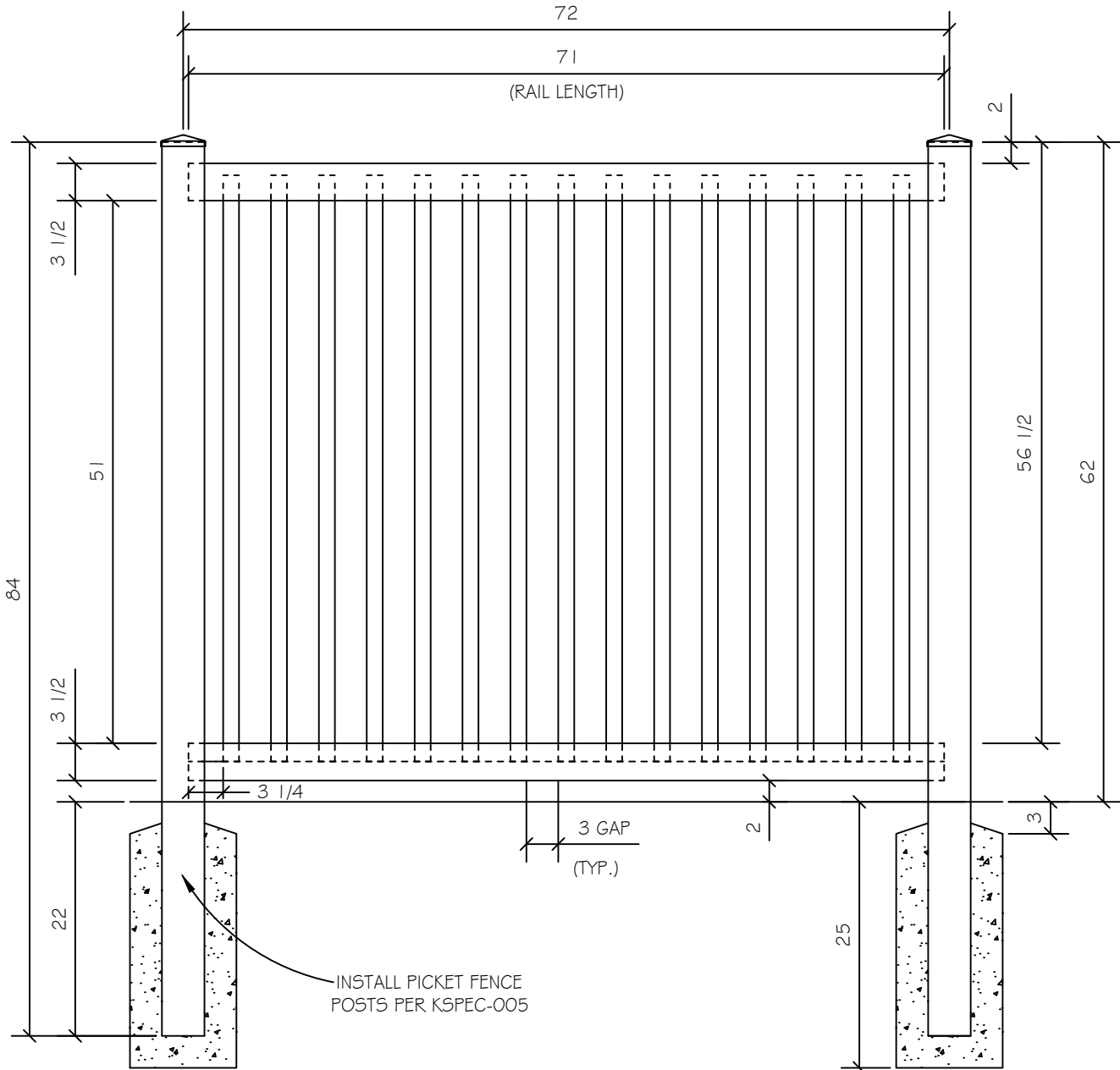
5 ft Closed 1x2 Picket Pool Fence

3 inch Gap

REQ'D MATERIAL PER 6' SECTION

POST:
 (1) 4" X 4" X 84"
 POST CAP:
 (1) 4" X 4" Decorative Cap

PICKET:
 (15) 7/8" X 1 1/2" X 55"
 RAIL:
 (2) 2" X 3 1/2" X 71" Open RW
 INSERT:
 (1) 2 x 3 1/2 x 71 Alum Insrt L BX



MEETS IBC (INTERNATIONAL BUILDING CODE) REQUIREMENTS FOR SWIMMING POOL ENCLOSURES, SECTION 3109, AND IRC (INTERNATIONAL RESIDENTIAL CODE) REQUIREMENTS FOR SWIMMING POOL ENCLOSURES, SECTION AG105. CHECK WITH YOUR LOCAL BUILDING CODE OFFICIALS TO MAKE SURE THEY ACCEPT THESE DIMENSIONAL LIMITATIONS.

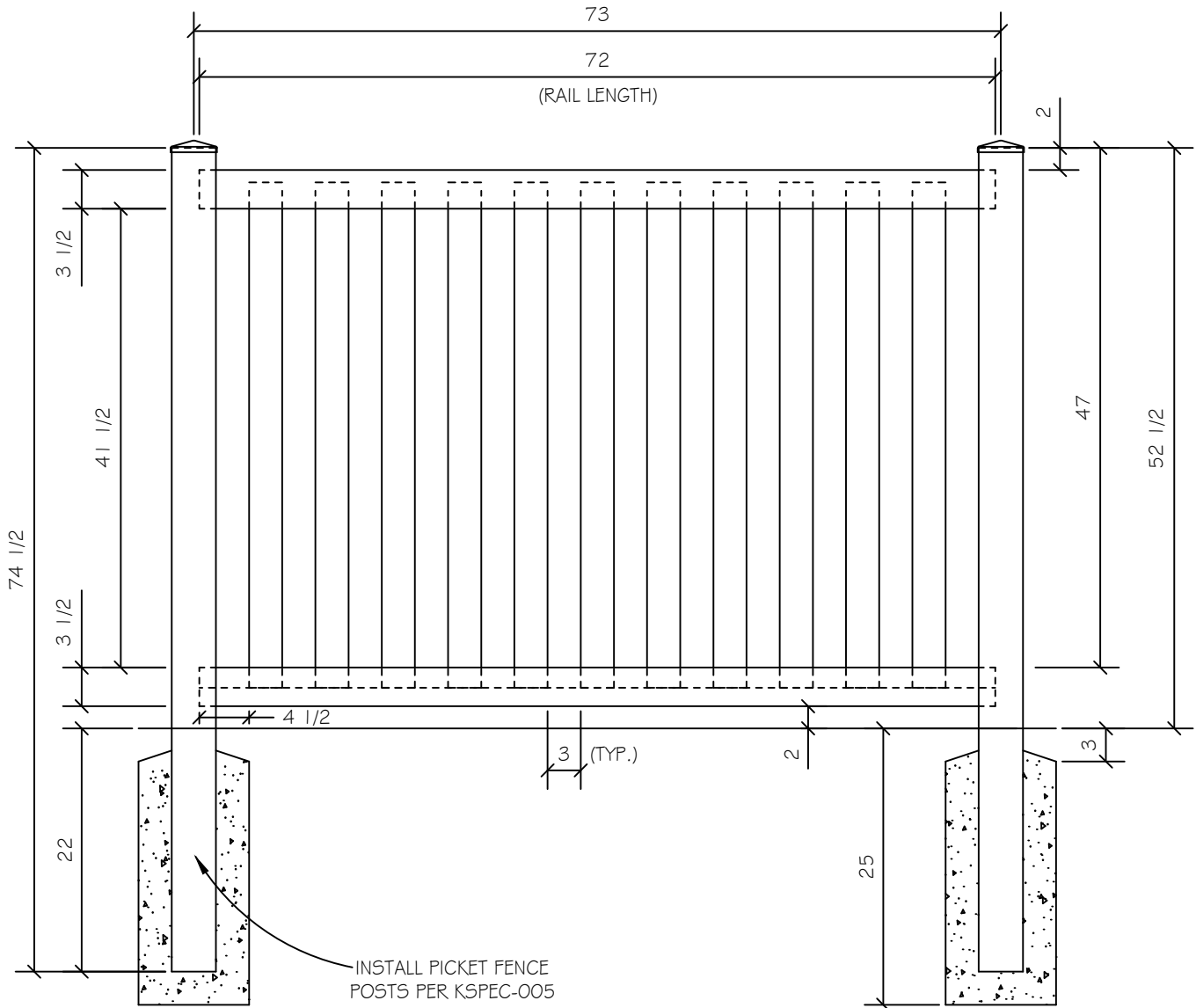
4 ft Closed 7/8x3 Picket Pool Fence

3 inch Gap

REQ'D MATERIAL PER 6' SECTION

POST:
 (1) 4" X 4" X 74 1/2"
 POST CAP:
 (1) 4" X 4" Decorative Cap

RAIL:
 (2) 2" X 3 1/2" X 72" Open RW
 PICKET:
 (11) 7/8" X 3" X 45 1/2"
 INSERT:
 (1) 2 x 3 1/2 x 72 Alum Insrtr L BX



MEETS IBC (INTERNATIONAL BUILDING CODE) REQUIREMENTS FOR SWIMMING POOL ENCLOSURES, SECTION 3109, AND IRC (INTERNATIONAL RESIDENTIAL CODE) REQUIREMENTS FOR SWIMMING POOL ENCLOSURES, SECTION AG105. CHECK WITH YOUR LOCAL BUILDING CODE OFFICIALS TO MAKE SURE THEY ACCEPT THESE DIMENSIONAL LIMITATIONS.

4 ft Closed 7/8x3 Picket Pool Fence

3 3/4 inch Gap

REQ'D MATERIAL PER 6' SECTION

POST:

(1) 4" X 4" X 74 1/2"

POST CAP:

(1) 4" X 4" Decorative Cap

RAIL:

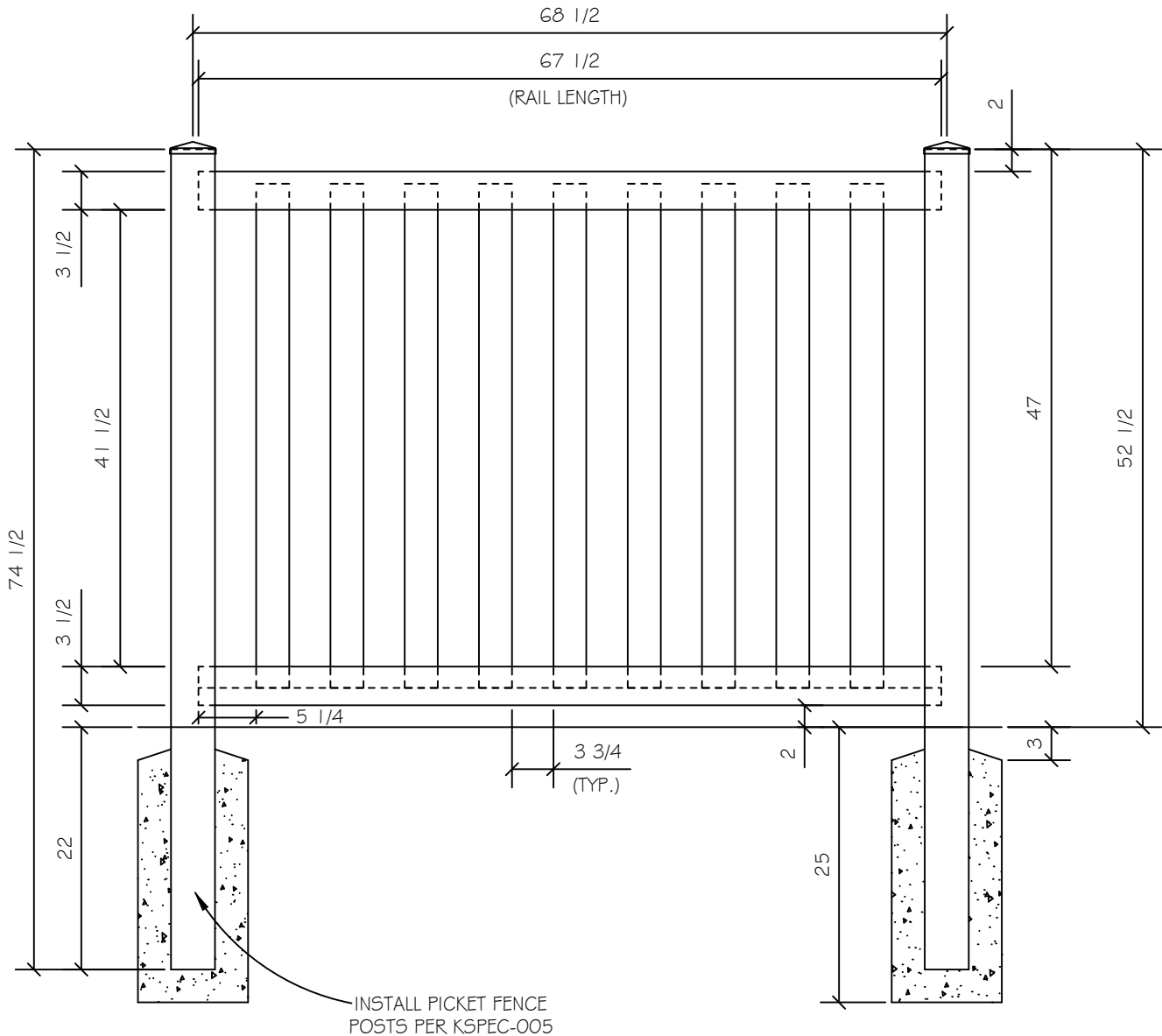
(2) 2" X 3 1/2" X 67 1/2" Open RW

PICKET:

(9) 7/8" X 3" X 45 1/2"

INSERT:

(1) 2 x 3 1/2 x 67 1/2 Alum Insr L BX



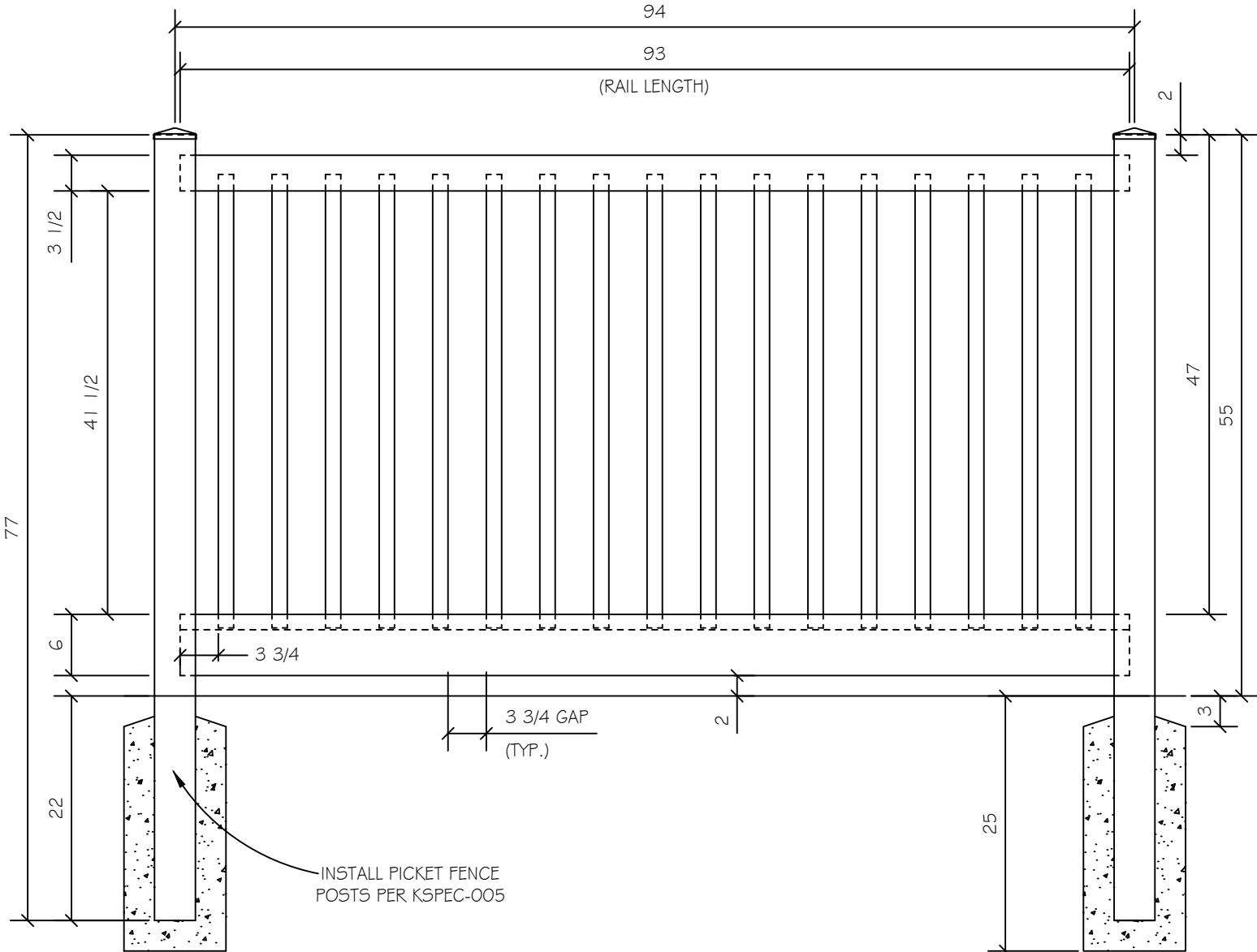
MEETS IBC (INTERNATIONAL BUILDING CODE) REQUIREMENTS FOR SWIMMING POOL ENCLOSURES, SECTION 3109, AND IRC (INTERNATIONAL RESIDENTIAL CODE) REQUIREMENTS FOR SWIMMING POOL ENCLOSURES, SECTION AG105. CHECK WITH YOUR LOCAL BUILDING CODE OFFICIALS TO MAKE SURE THEY ACCEPT THESE DIMENSIONAL LIMITATIONS.

4 1/2 ft Closed 1x2 Picket Pool Fence

3 3/4 inch Gap

REQ'D MATERIAL PER 8' SECTION

- | | |
|----------------------------|-------------------------------|
| POST: | RAIL: |
| (1) 4" X 4" X 77" | (1) 2" X 3 1/2" X 93" Open RW |
| POST CAP: | (1) 2" X 6" X 93" Ribbed |
| (1) 4" X 4" Decorative Cap | PICKET: |
| | (17) 7/8" X 1 1/2" X 44 1/2" |



MEETS IBC (INTERNATIONAL BUILDING CODE) REQUIREMENTS FOR SWIMMING POOL ENCLOSURES, SECTION 3109, AND IRC (INTERNATIONAL RESIDENTIAL CODE) REQUIREMENTS FOR SWIMMING POOL ENCLOSURES, SECTION AG105. CHECK WITH YOUR LOCAL BUILDING CODE OFFICIALS TO MAKE SURE THEY ACCEPT THESE DIMENSIONAL LIMITATIONS.

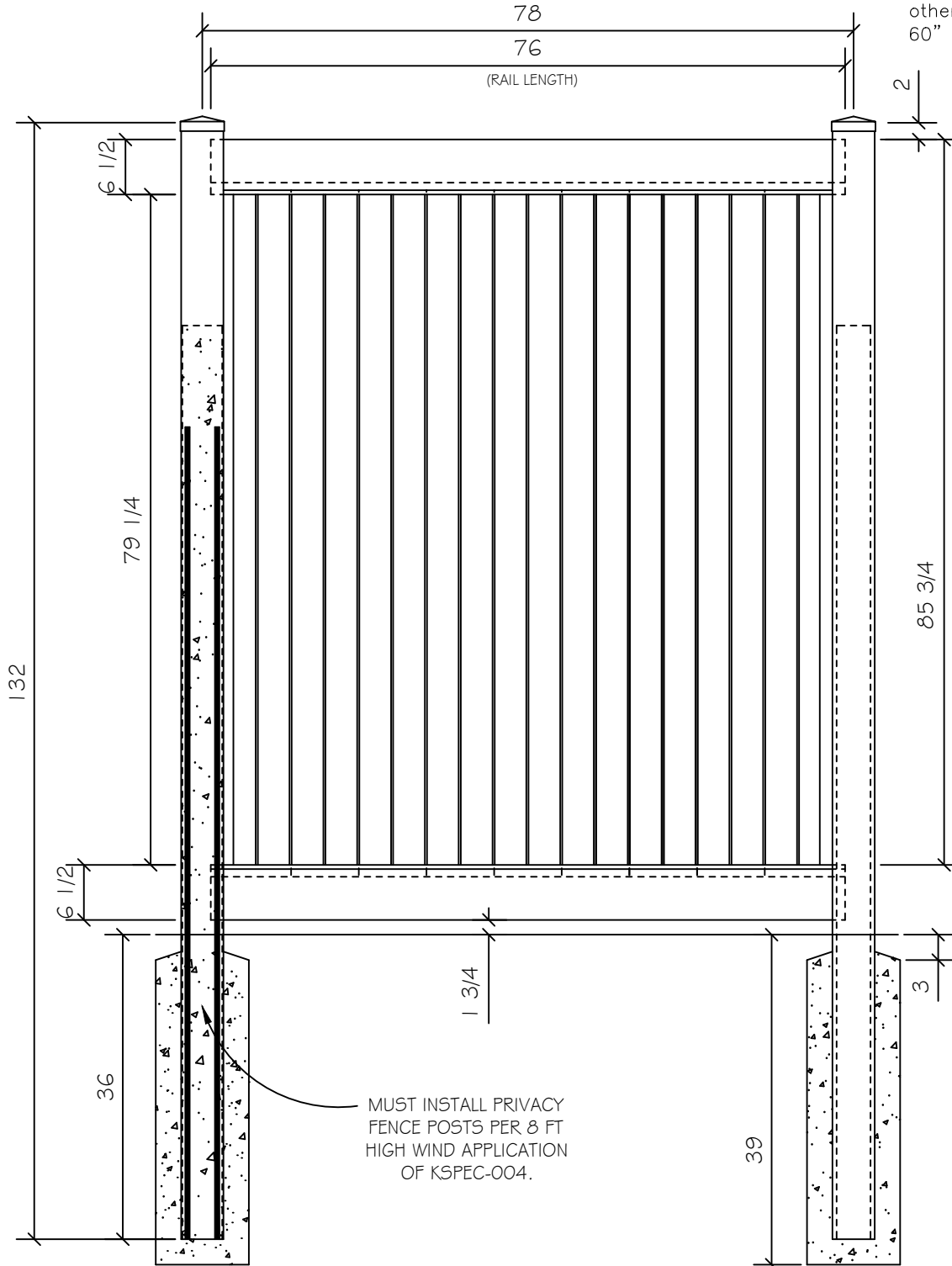
P156

8 ft Privacy Fence

REQ'D MATERIAL PER 6' SECTION

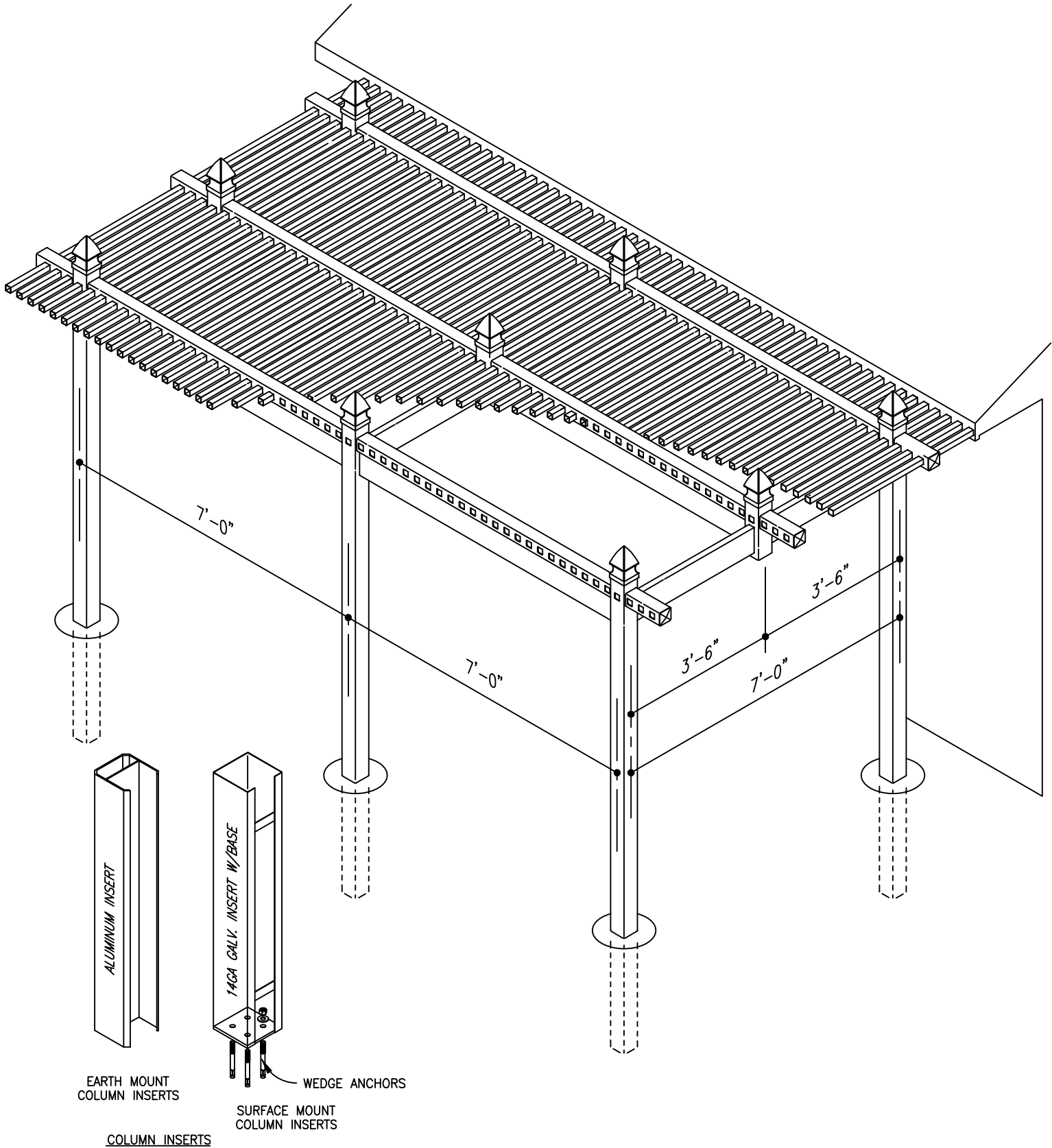
- | | |
|--|--|
| <p>POST:
 (1) 5" X 5" X 132"</p> <p>POST CAP:
 (1) 5" X 5" External Long Cap</p> <p>POST INSERT:
 (1) 5 x 5 Alum Insrt Tower x 108"
 (2) #4 Rebar X 96" (NOT SUPPLIED)</p> <p>RAIL:
 (2) 2" X 6 1/2" X 76" Slotted</p> | <p>RAIL INSERT:
 (1) 2" X 3 1/2" X 92" Alum Insrt L BX (P-Channel)</p> <p>PICKET:
 (9) 1" X 8" X 81 3/4" T & G</p> <p>U-CHANNEL:
 (2) 1" X 79 1/4" U-Channel</p> <p>RIVETS:
 (6) 3/16" M Balbex Rivet 1/4" GIP
 * May use #10 x 3/4" Panhead Screws in place of Rivets</p> |
|--|--|

Insert is not Required on White, Tan or Sandstone fence bottom rails. All other colors greater than 60" must install insert.

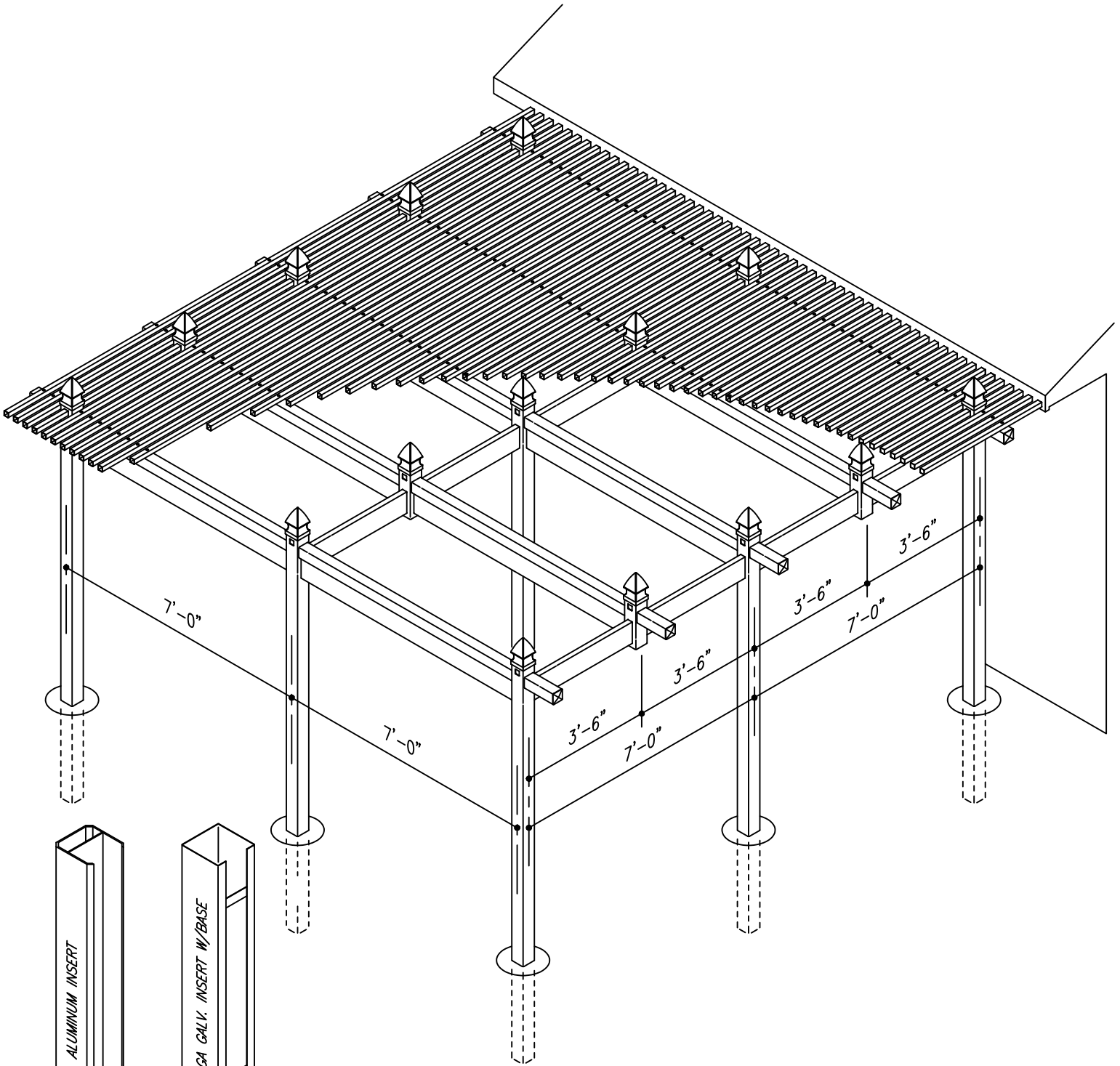


MUST INSTALL PRIVACY FENCE POSTS PER 8 FT HIGH WIND APPLICATION OF KSPEC-004.

8' x 16' Standard Pergola



16' x 16' Standard Pergola

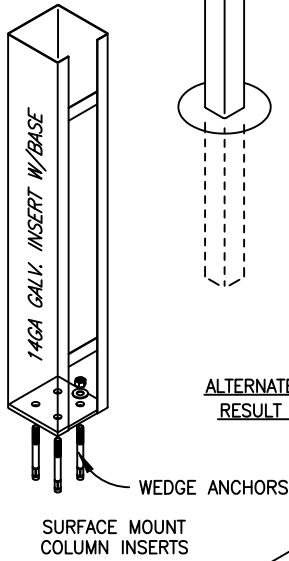
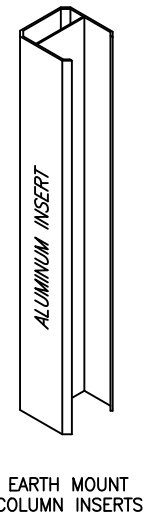
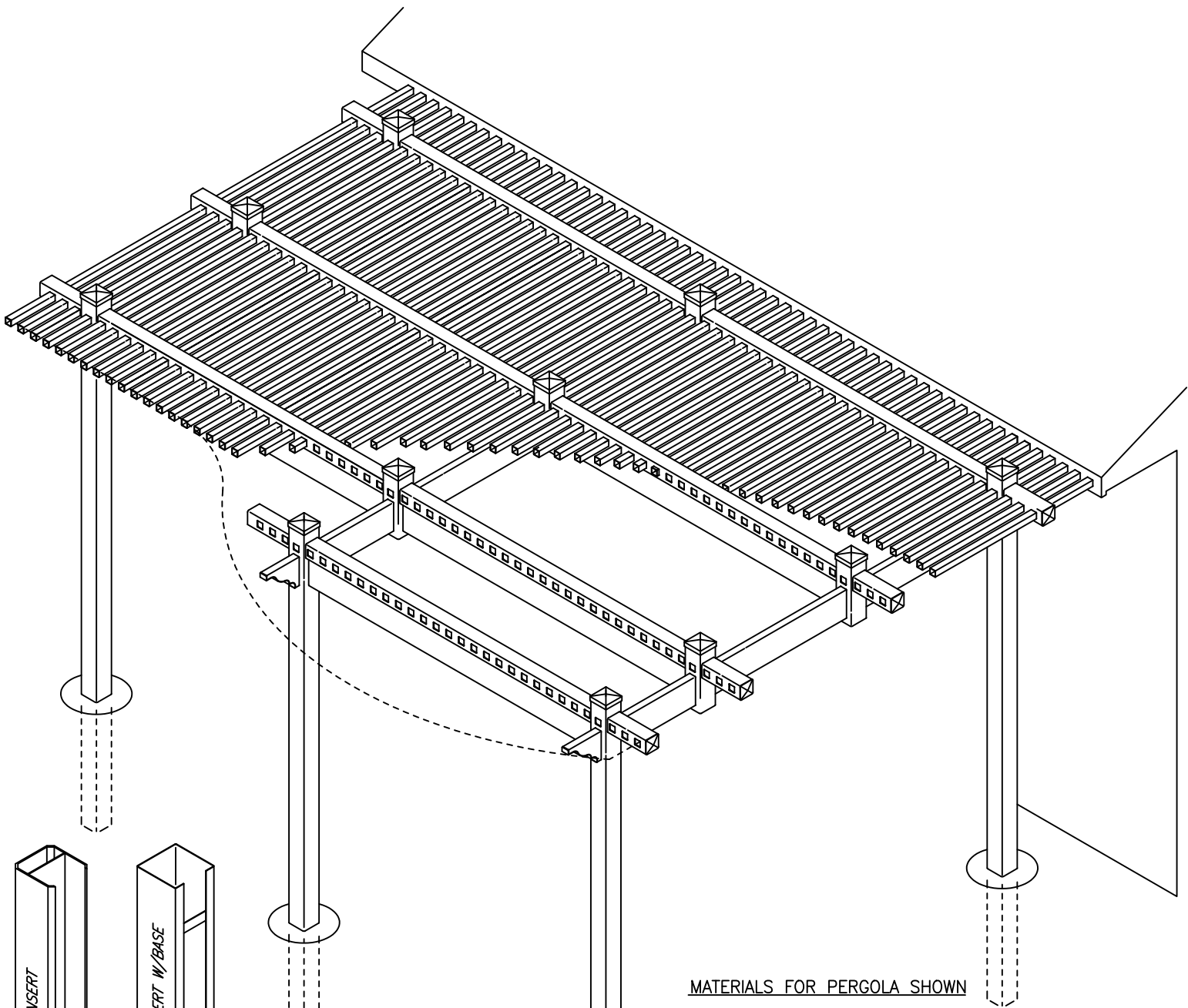


EARTH MOUNT
COLUMN INSERTS

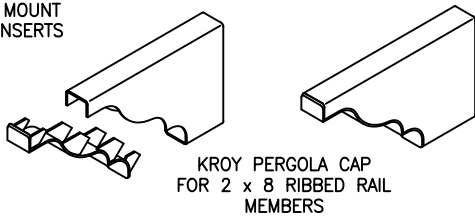
SURFACE MOUNT
COLUMN INSERTS

COLUMN INSERTS

10' x 16' Pergola w/ Radiused Extension



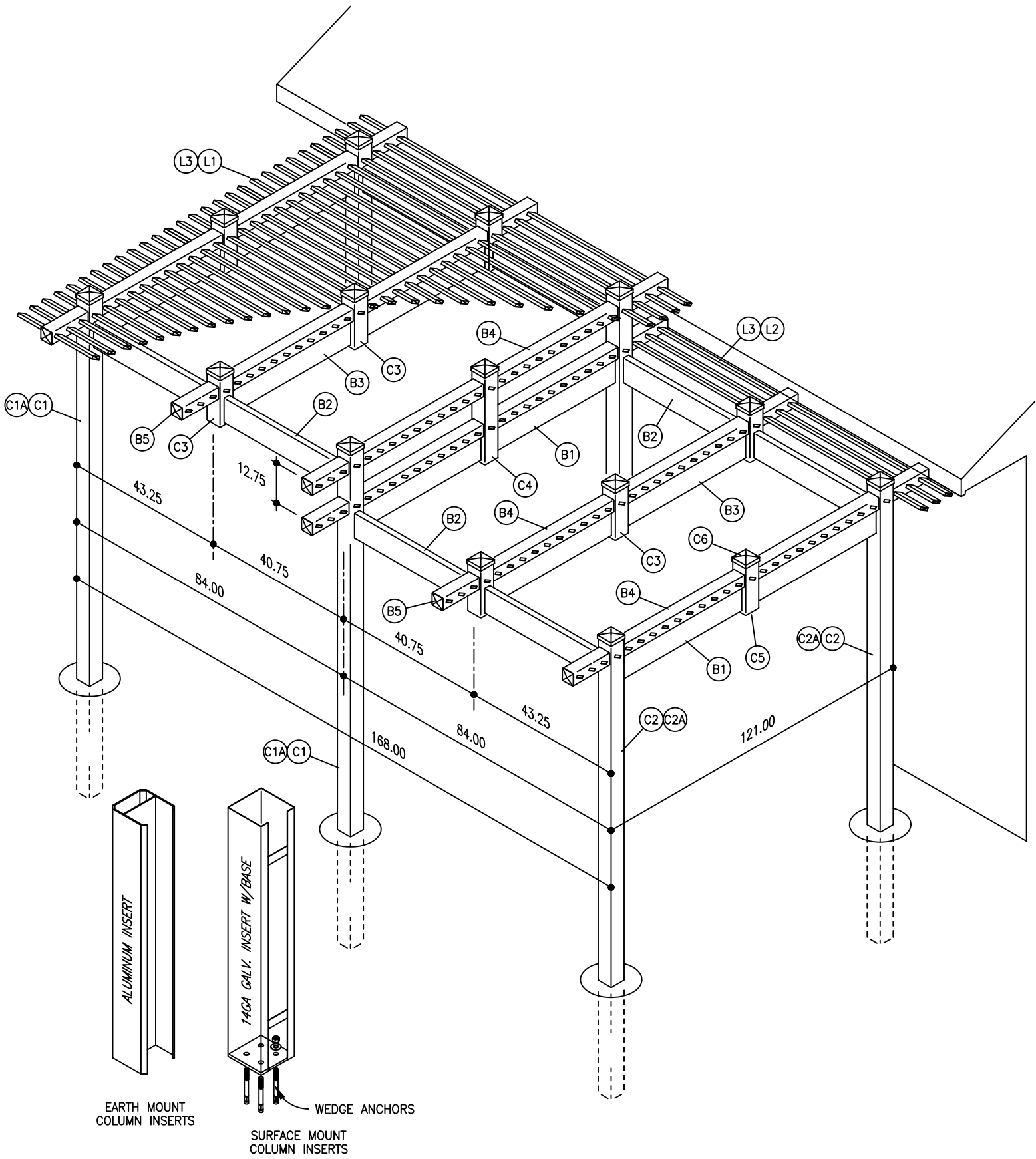
ALTERNATE PERGOLA CAP CHOICES CAN RESULT IN DIFFERENT RAIL LENGTHS



MATERIALS FOR PERGOLA SHOWN

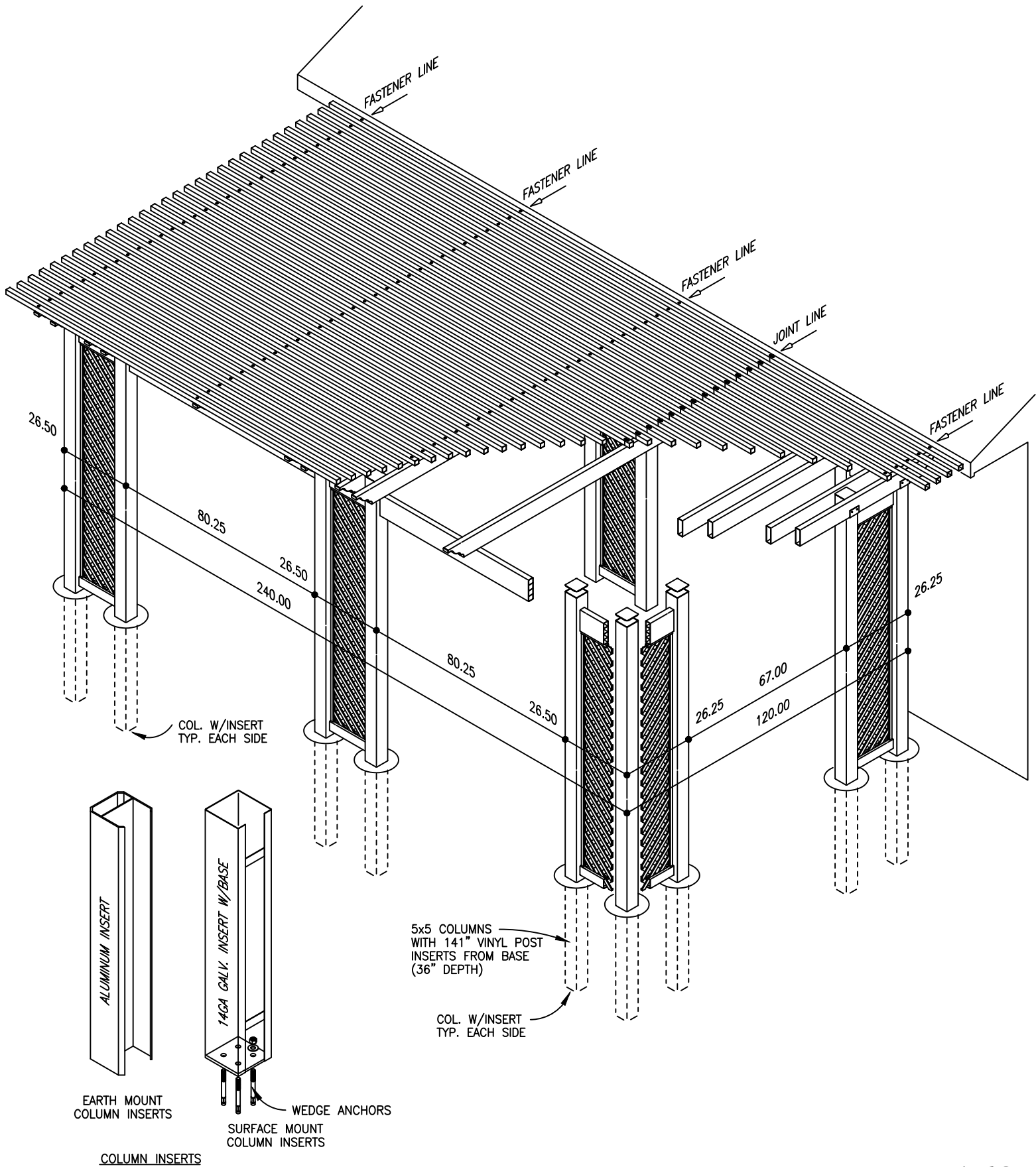
- (6) 5 X 5 X 105 3/8"
- (6) 5 X 5 X 90" SURFACE MOUNT INSERT
- OR-
- (6) 5 X 5 X 141 3/8"
- (6) 5 X 5 X 126" ALUM INSERT
- (5) 5 X 5 X 16 1/8"
- (11) 5 X 5 EXTERNAL LONG CAP
- (5) 5 X 5 INTERNAL CAP
- (2) 2 X 8 X 145" RIBBED
- (1) 2 X 8 X 121" RIBBED
- (7) 2 X 8 X 78" RIBBED
- (6) 2 X 8 KROY PERGOLA CAP
- (3) 4 X 4 X 188"
- (1) 4 X 4 X 108"
- (8) 4 X 4 INTERNAL CAP (LOCALLY PROCURE)
- (12) 1 3/4 X 1 3/4 X 124" LATTICE
- (35) 1 3/4 X 1 3/4 X 160" LATTICE (CUT TO FIT)
- (94) 1 3/4 X 1 3/4 SQUARE CAP
- (11) LOCKING PLATES W/(8) SCREWS PER PLATE

10' x 14' Step Pergola

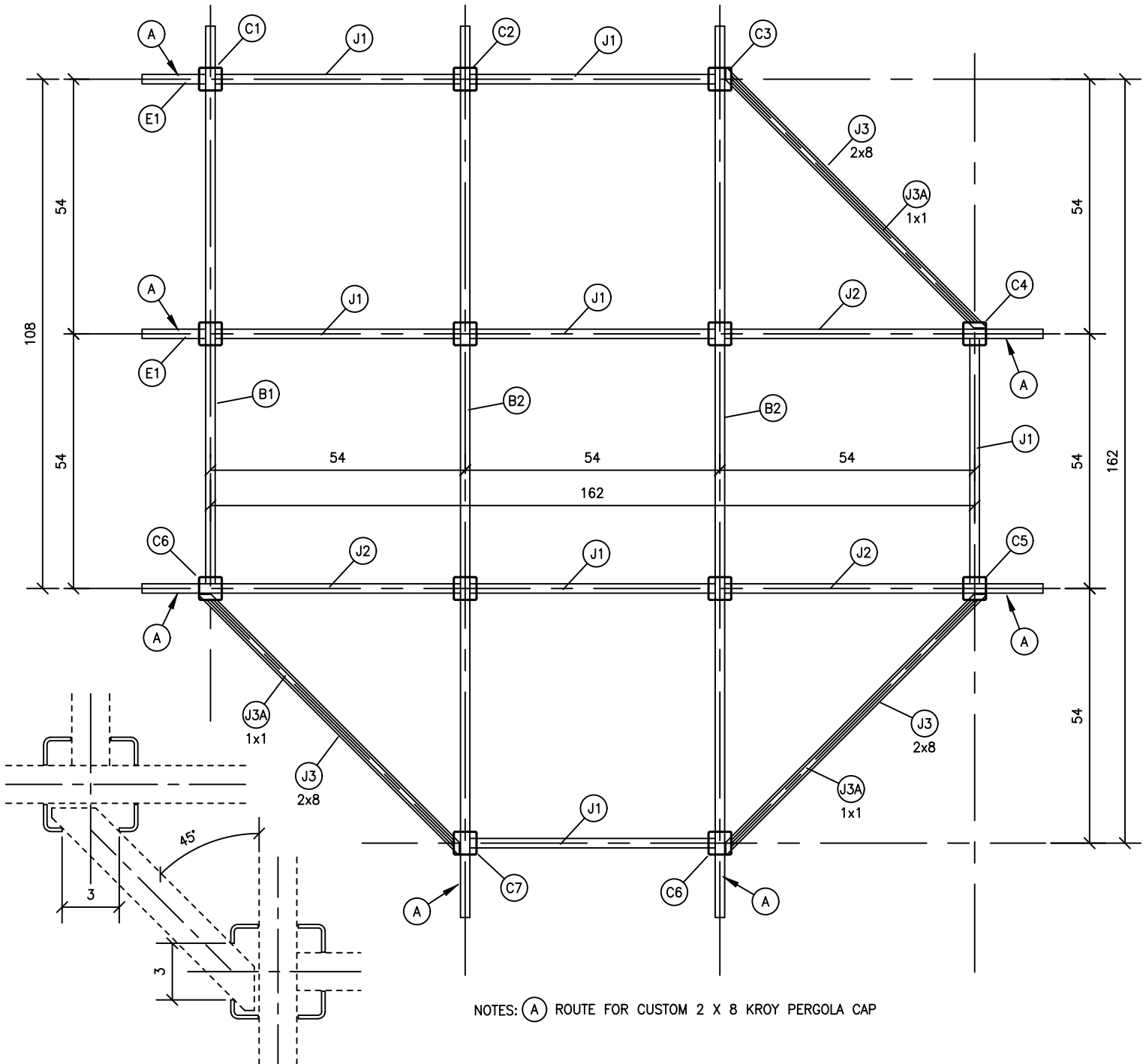


COLUMN INSERTS

10' x 20' Trellis Pergola



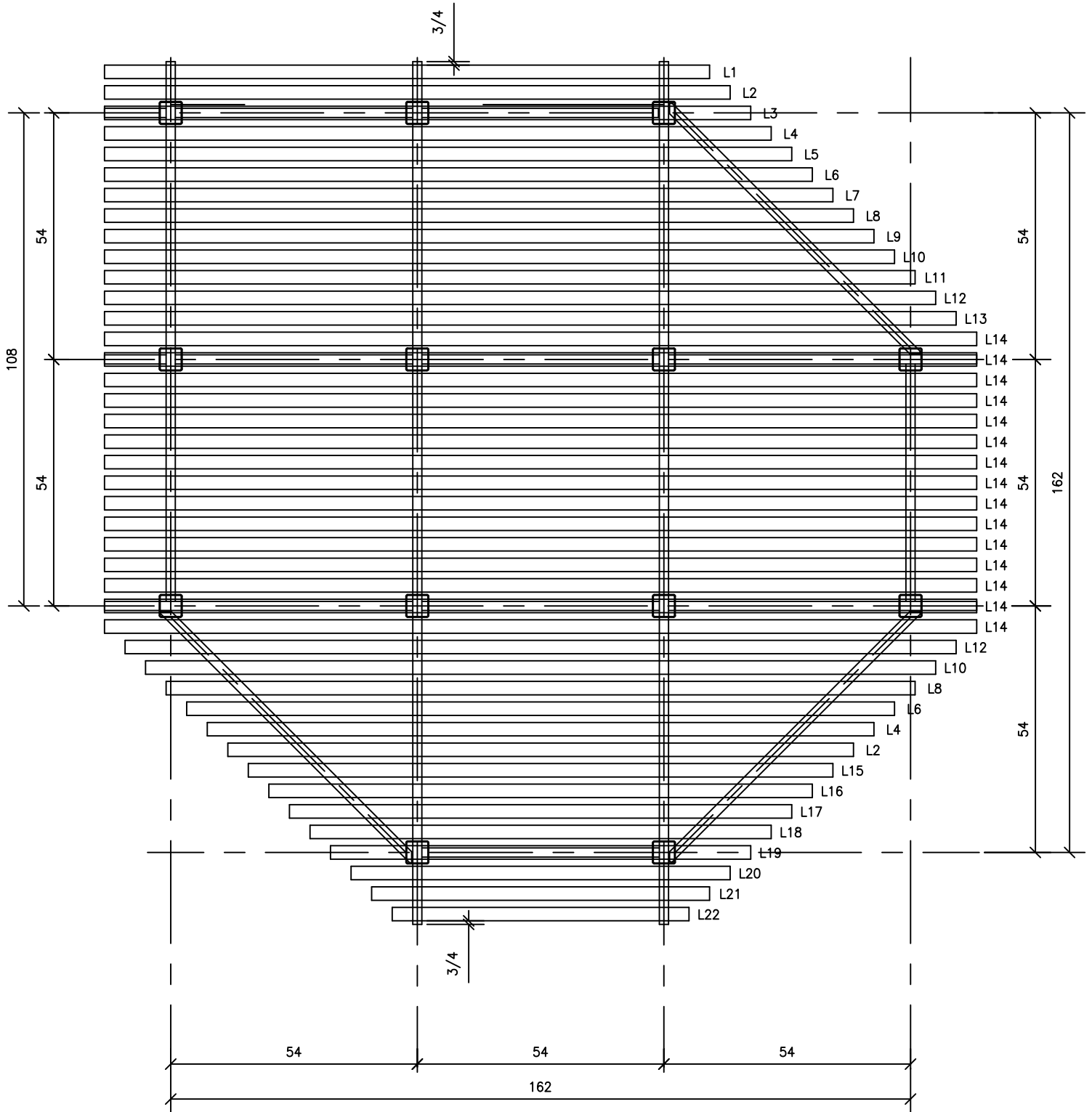
16' Octagon Pergola



NOTES: (A) ROUTE FOR CUSTOM 2 X 8 KROY PERGOLA CAP

TYPICAL HOLE ELONGATION @ DIAGONAL

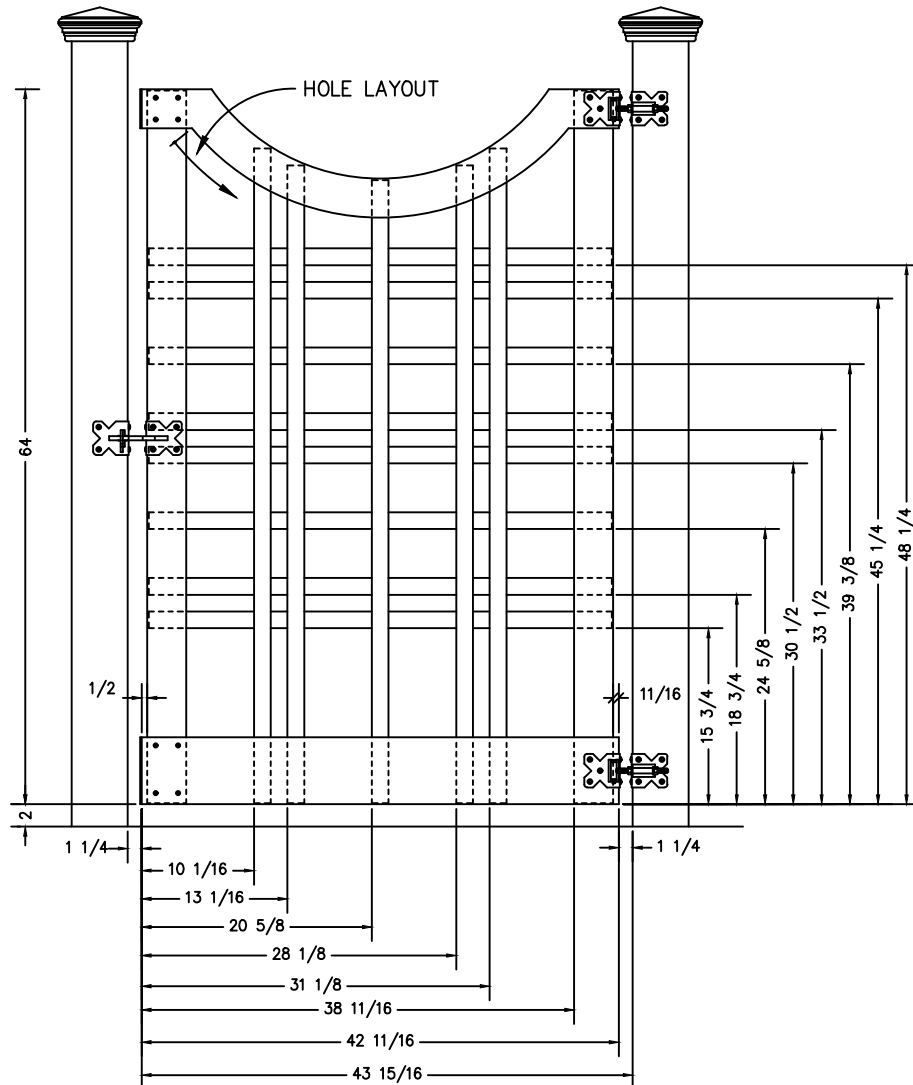
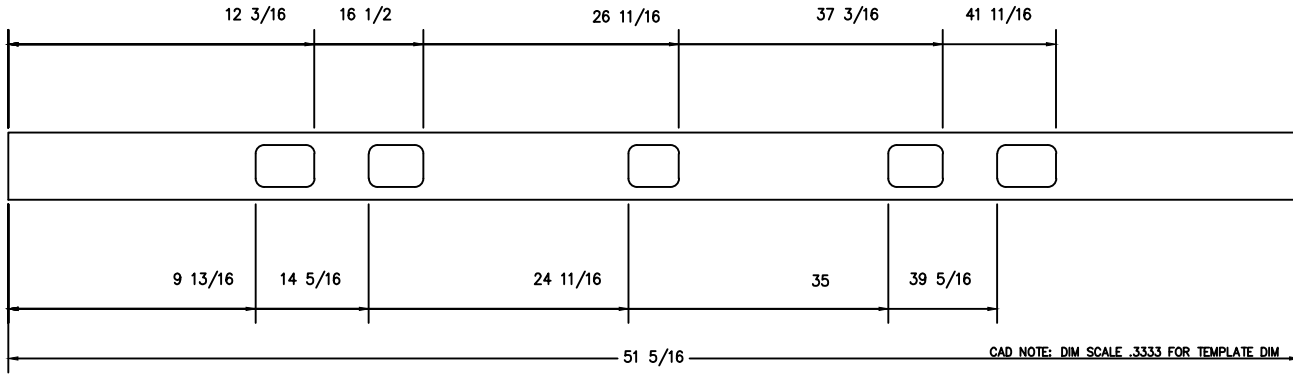
16' Octagon Pergola



Section 1 5 ft Gate

- RAILS:**
 (1) 2" x 3 1/2" ARBOR ARCH x 42 11/16"
 (2) 1 3/4" x 3 1/2" x 62 3/4" OPEN
 (1) 2" x 6" x 42 11/16" OPEN
LATTICE:
 (8) 7/8" x 1 1/2" x 47 3/8" HORIZ.
 (2) 1 1/4" x 1 1/2" x 58 5/8" VERT.
 (2) 1 1/4" x 1 1/2" x 57" VERT.
 (1) 1 1/4" x 1 1/2" x 55 3/4" VERT.

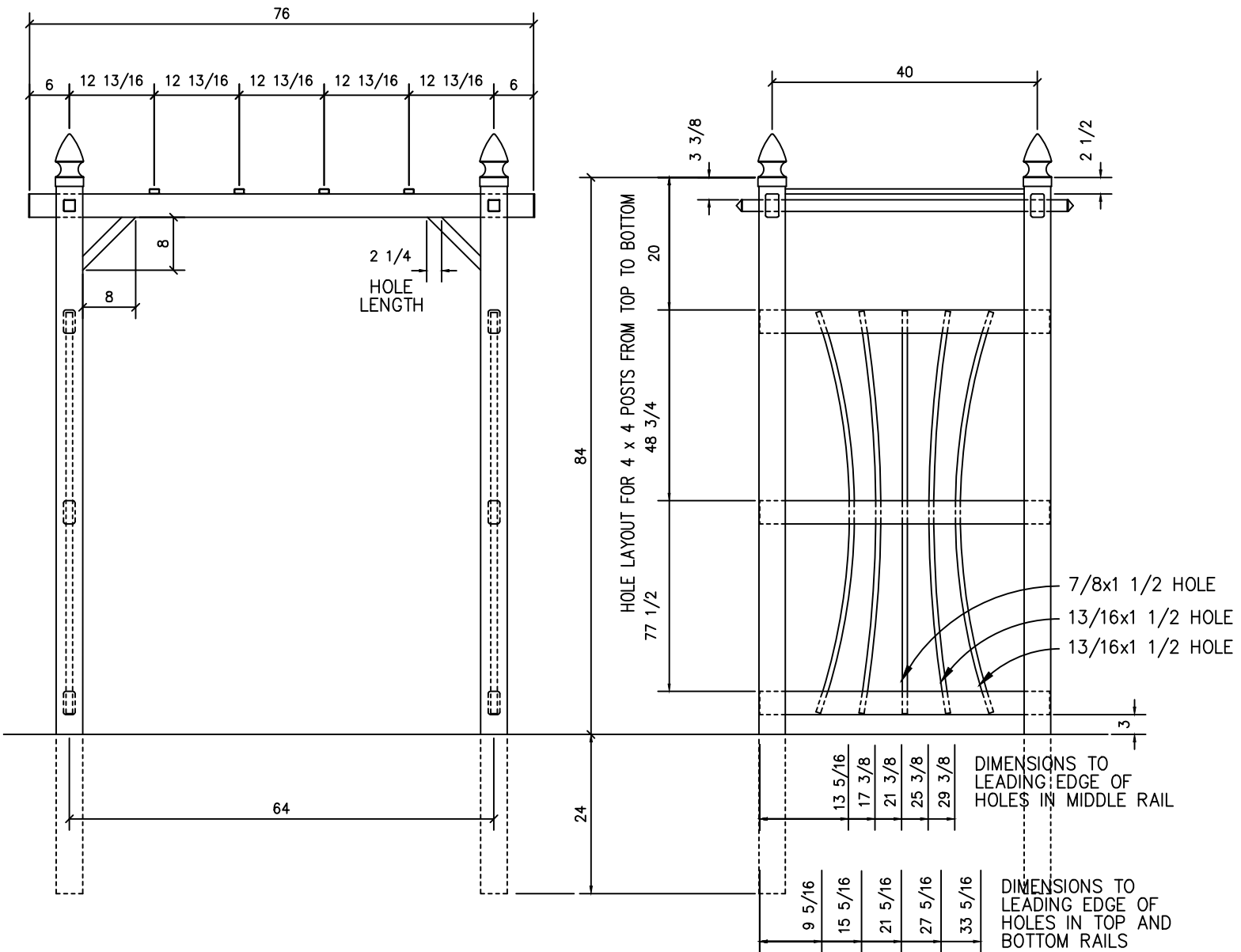
- END CAPS:**
 (2) 2" x 3 1/2" OPEN CAP
 (2) 2" x 6" OPEN CAP
HARDWARE:
 (1) 2-SIDED ACTIVATED SS LATCH
 (2) 3 1/2" SELF CLOSE SS HINGE
 (16) 3/16" W BALBEX RIVET 1/4" GRP
 (38) #14 -3/4" SQUARE DR PAN



Garden Arbor

- POSTS:
 (4) 4" x 4" x 108"
 LATTICE:
 (4) 7/8" x 1 1/2" x 61 3/4"
 (4) 7/8" x 1 1/2" x 60 7/8"
 (2) 7/8" x 1 1/2" x 60 5/8"
 (4) 7/8" x 1 1/2" x 42"

- POST CAPS AND TRIMS:
 (4) 4 X 4 GOTHIC CAP
 (4) 1 3/4 X 1 3/4 SQUARE CAP
 (4) 2 x 3 1/2 OPEN CAP
 (8) 5/8" CAP PLUG
 RAILS:
 (2) 2" x 3 1/2" x 76" OPEN RW
 (6) 2" x 3 1/2" x 43 5/8" OPEN RW
 (2) 1 3/4" x 1 3/4" x 49"
 (4) 1 1/2" x 1 1/2" x 18"

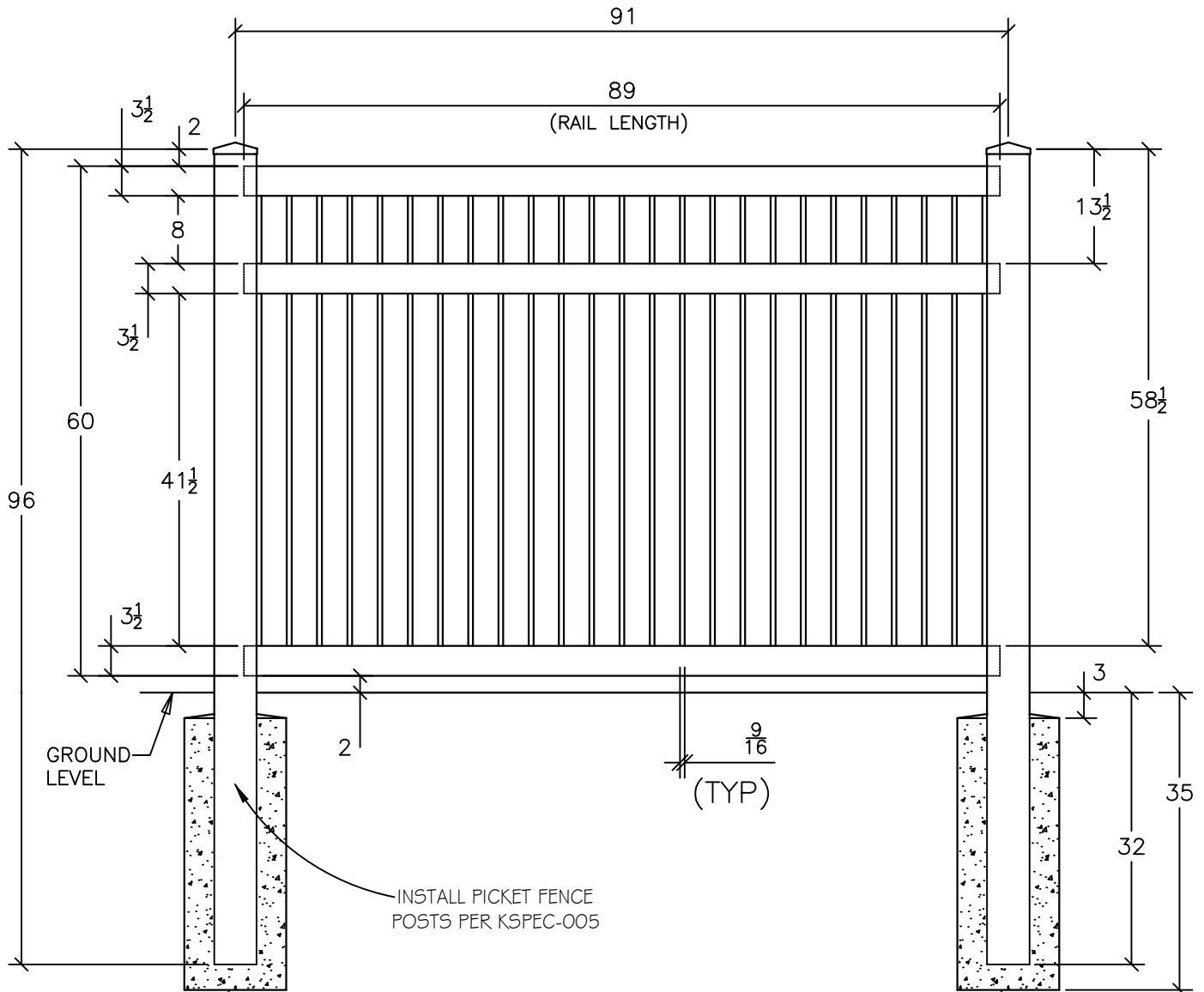


5 ft Semi-Privacy Pool Fence 7/8 x 3 Picket

9/16 inch Gap

REQ'D MATERIAL PER 8' SECTION

- | | |
|-------------------------------|-----------------------------------|
| POST: | RAIL: |
| (1) 5" X 5" X 96" | (3) 2" X 3 1/2" X 89" Open RW |
| POST CAP: | PICKET: |
| (1) 5" X 5" External Long Cap | (24) 7/8" X 3" X 57 3/4" |
| | INSERT: |
| | (1) 2 x 3 1/2 x 89 Alum Insr L BX |



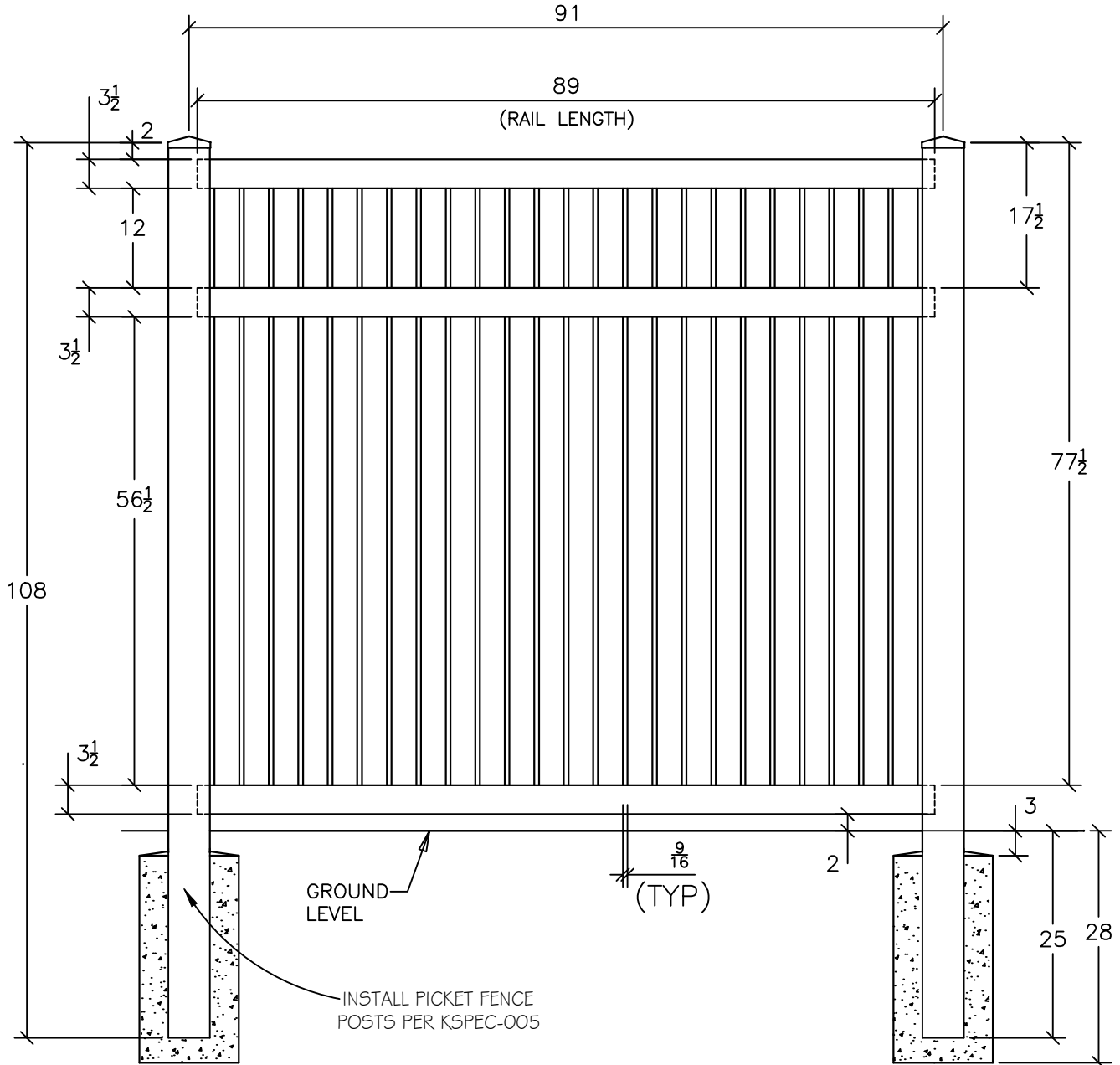
MEETS IBC (INTERNATIONAL BUILDING CODE) REQUIREMENTS FOR SWIMMING POOL ENCLOSURES, SECTION 3109, AND IRC (INTERNATIONAL RESIDENTIAL CODE) REQUIREMENTS FOR SWIMMING POOL ENCLOSURES, SECTION AG105. CHECK WITH YOUR LOCAL BUILDING CODE OFFICIALS TO MAKE SURE THEY ACCEPT THESE DIMENSIONAL LIMITATIONS.

6 ft Semi-Privacy Pool Fence 7/8 x 3 Picket

9/16 inch Gap

REQ'D MATERIAL PER 8' SECTION

- | | |
|-------------------------------|-----------------------------------|
| POST: | RAIL: |
| (1) 5" X 5" X 108" | (3) 2" X 3 1/2" X 89" Open RW |
| POST CAP: | PICKET: |
| (1) 5" X 5" External Long Cap | (24) 7/8" X 3" X 76 3/4" |
| | INSERT: |
| | (1) 2 x 3 1/2 x 89 Alum Insr L BX |



MEETS IBC (INTERNATIONAL BUILDING CODE) REQUIREMENTS FOR SWIMMING POOL ENCLOSURES, SECTION 3109, AND IRC (INTERNATIONAL RESIDENTIAL CODE) REQUIREMENTS FOR SWIMMING POOL ENCLOSURES, SECTION AG105. CHECK WITH YOUR LOCAL BUILDING CODE OFFICIALS TO MAKE SURE THEY ACCEPT THESE DIMENSIONAL LIMITATIONS.

Classic Drop Picket Fence

2 1/8 inch Gap

For end of K75 fence

POST:

- (1) 5" X 5" X 72"
- (1) 5" X 5" X 88 9/16"

POST CAP:

- (1) 5" X 5" Classic Cap & Trim

RAIL:

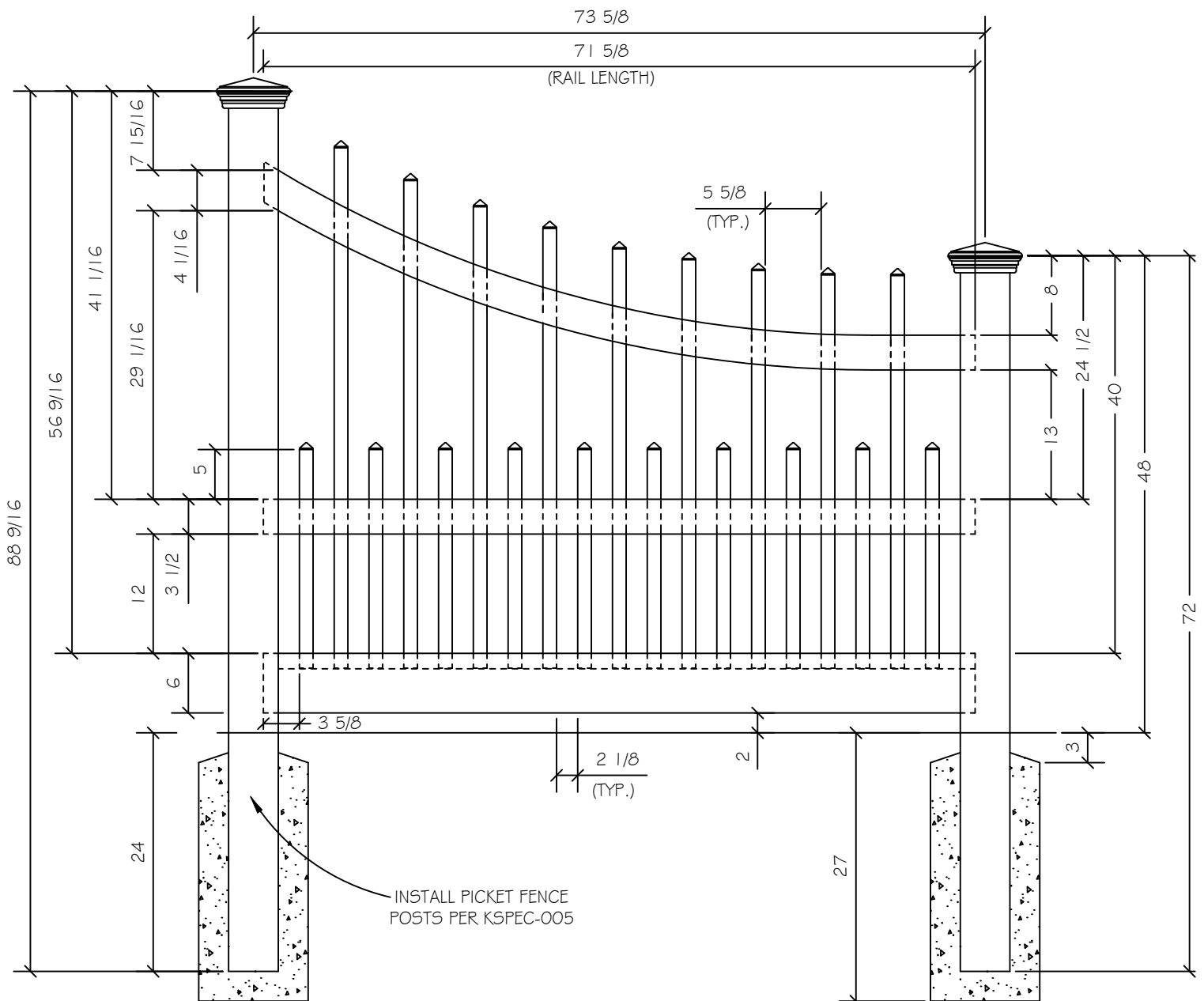
- (1) 2" X 6" X 71 5/8" Ribbed
- (1) 2" X 3 1/2" X 71 5/8" Open RW
- (1) 2" X 3 1/2" X 71 5/8" 6'-18" Drop Rtd 2 Sides

PICKET CAP:

- (19) 1 3/8" X 1 3/8" Sq Cap

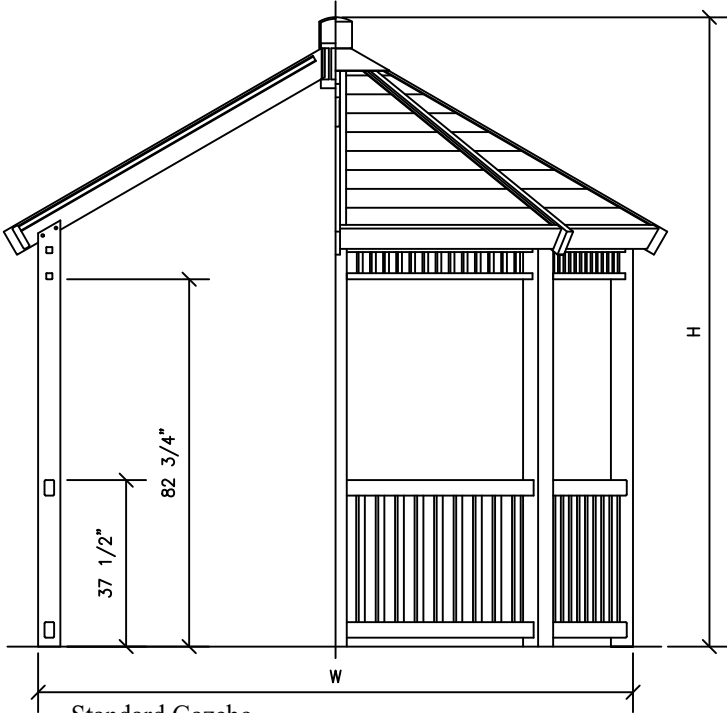
PICKET:

- (1) 1 3/8" X 1 3/8" X 39 1/2"
- (1) 1 3/8" X 1 3/8" X 39 5/16"
- (1) 1 3/8" X 1 3/8" X 40"
- (1) 1 3/8" X 1 3/8" X 41"
- (1) 1 3/8" X 1 3/8" X 42 1/8"
- (1) 1 3/8" X 1 3/8" X 44 1/4"
- (1) 1 3/8" X 1 3/8" X 46 3/8"
- (1) 1 3/8" X 1 3/8" X 49"
- (1) 1 3/8" X 1 3/8" X 52 3/8"
- (10) 1 3/8" X 1 3/8" X 22"



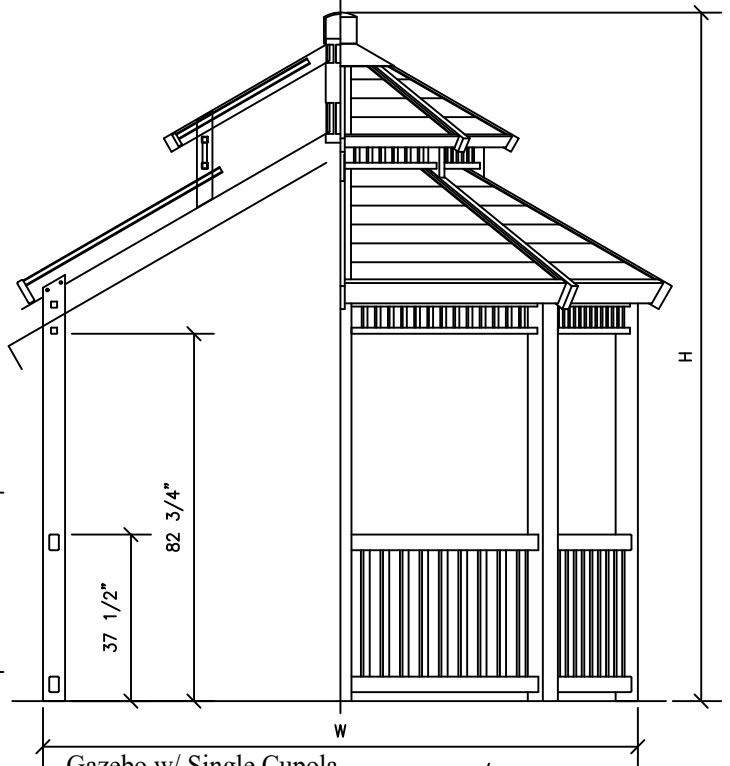
Kroy Gazebo

9 ft, 11 ft or 13 ft Diameter Sizes



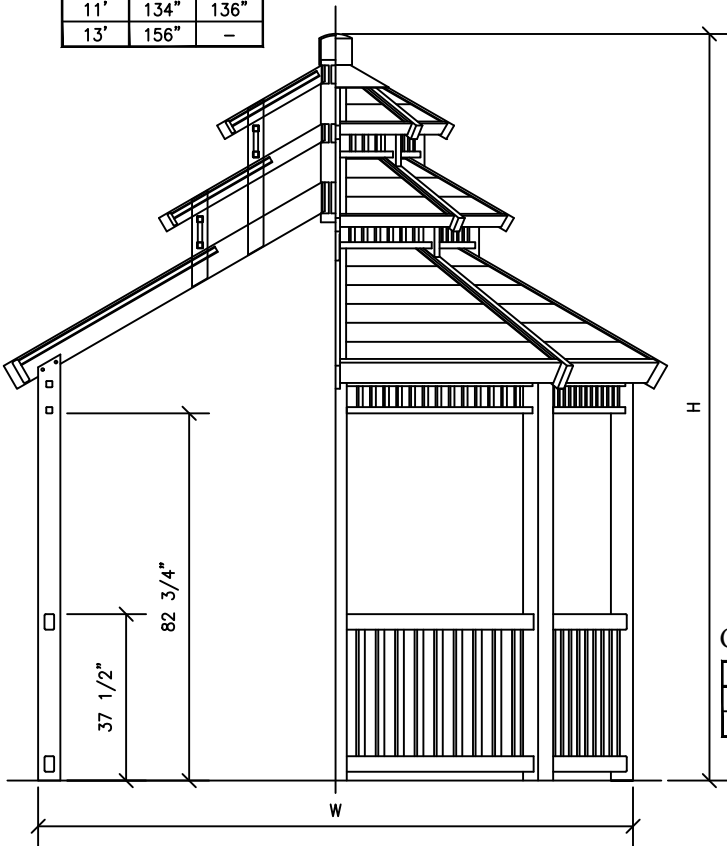
Standard Gazebo

SIZE	W	H
9'	108"	128"
11'	134"	136"
13'	156"	-



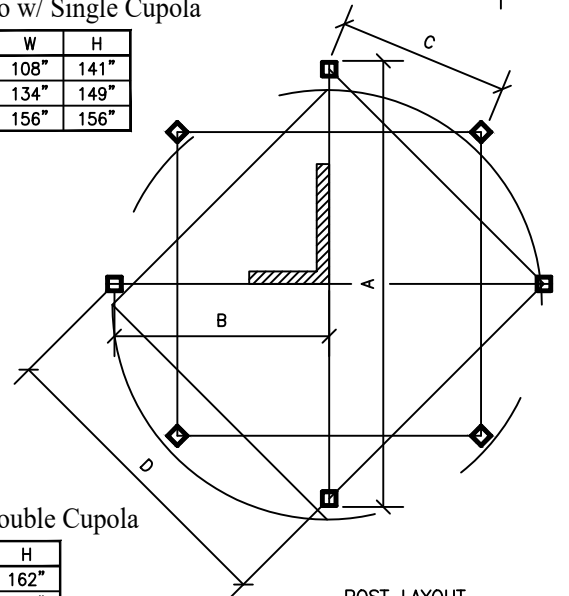
Gazebo w/ Single Cupola

SIZE	W	H
9'	108"	141"
11'	134"	149"
13'	156"	156"



Gazebo w/ Double Cupola

SIZE	W	H
11'	134"	162"
13'	156"	169"

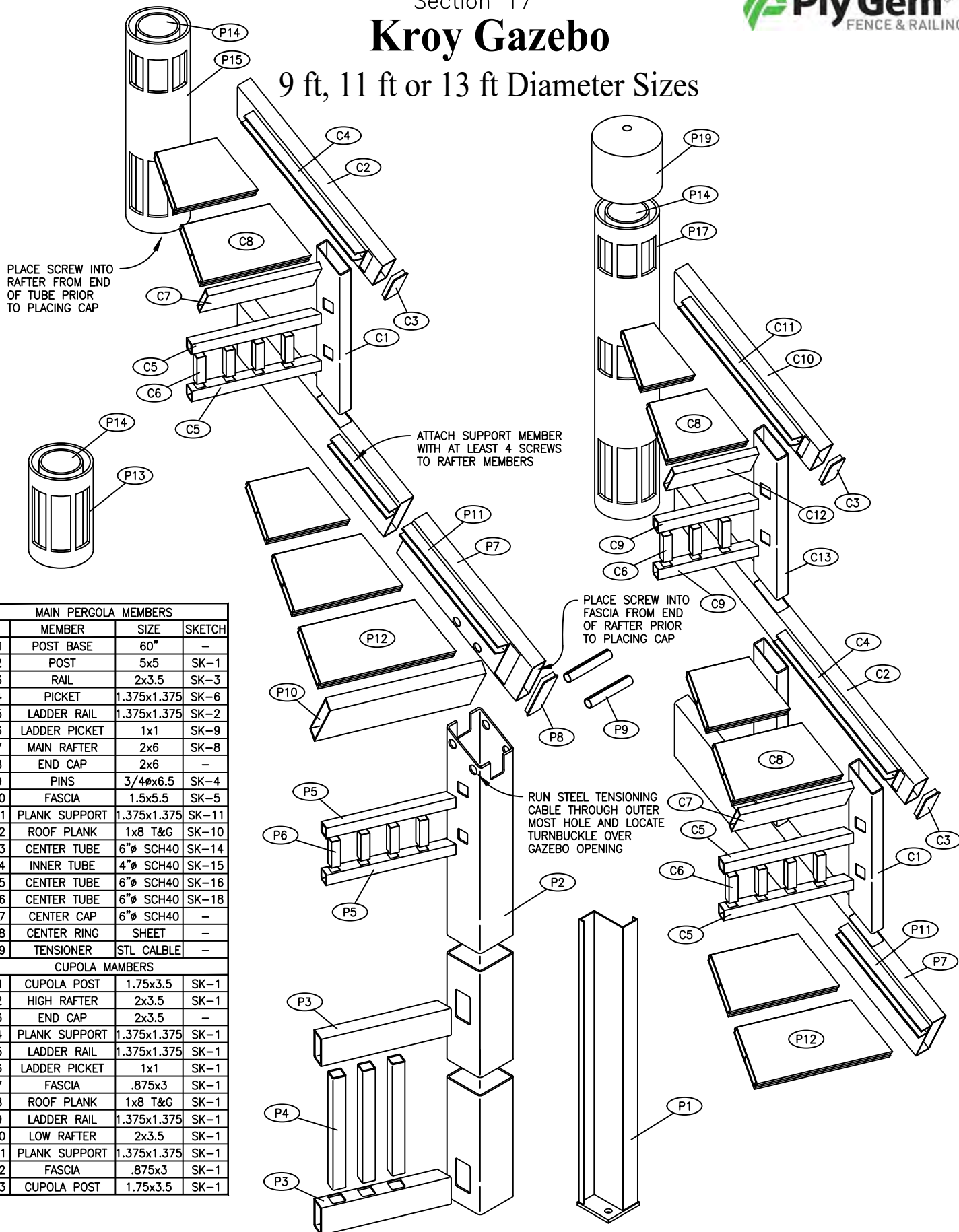


POST LAYOUT

SIZE	A	B	C	D
9'	108"	52"	41.375"	73.50"
11'	134"	64.50"	51.25"	91.25"
13'	156"	75"	59.75"	106.25"

Kroy Gazebo

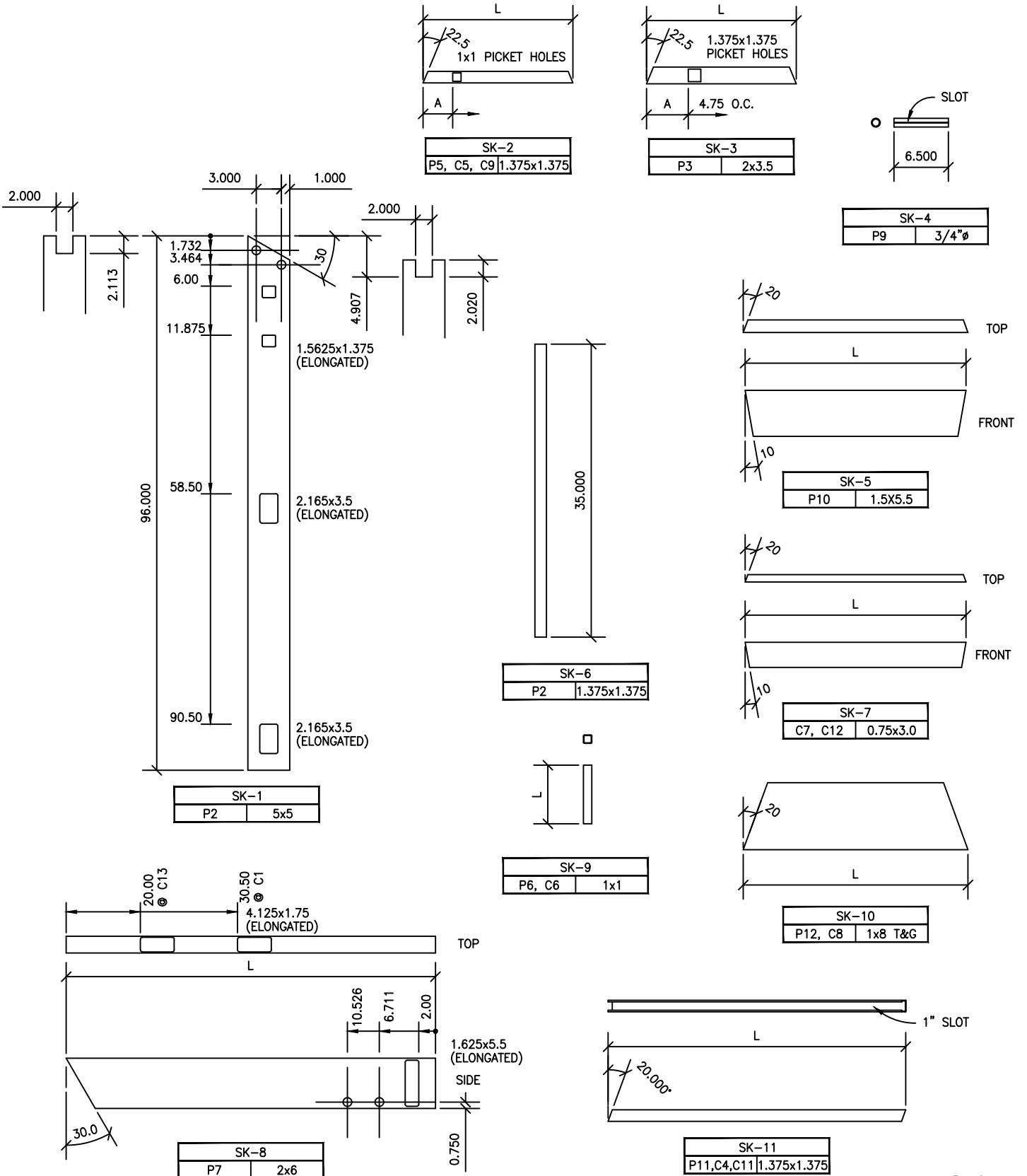
9 ft, 11 ft or 13 ft Diameter Sizes



MAIN PERGOLA MEMBERS			
#	MEMBER	SIZE	SKETCH
P1	POST BASE	60"	-
P2	POST	5x5	SK-1
P3	RAIL	2x3.5	SK-3
P4	PICKET	1.375x1.375	SK-6
P5	LADDER RAIL	1.375x1.375	SK-2
P6	LADDER PICKET	1x1	SK-9
P7	MAIN RAFTER	2x6	SK-8
P8	END CAP	2x6	-
P9	PINS	3/4øx6.5	SK-4
P10	FASCIA	1.5x5.5	SK-5
P11	PLANK SUPPORT	1.375x1.375	SK-11
P12	ROOF PLANK	1x8 T&G	SK-10
P13	CENTER TUBE	6"ø SCH40	SK-14
P14	INNER TUBE	4"ø SCH40	SK-15
P15	CENTER TUBE	6"ø SCH40	SK-16
P16	CENTER TUBE	6"ø SCH40	SK-18
P17	CENTER CAP	6"ø SCH40	-
P18	CENTER RING	SHEET	-
P19	TENSIONER	STL CALBLE	-
CUPOLA MEMBERS			
C1	CUPOLA POST	1.75x3.5	SK-1
C2	HIGH RAFTER	2x3.5	SK-1
C3	END CAP	2x3.5	-
C4	PLANK SUPPORT	1.375x1.375	SK-1
C5	LADDER RAIL	1.375x1.375	SK-1
C6	LADDER PICKET	1x1	SK-1
C7	FASCIA	.875x3	SK-1
C8	ROOF PLANK	1x8 T&G	SK-1
C9	LADDER RAIL	1.375x1.375	SK-1
C10	LOW RAFTER	2x3.5	SK-1
C11	PLANK SUPPORT	1.375x1.375	SK-1
C12	FASCIA	.875x3	SK-1
C13	CUPOLA POST	1.75x3.5	SK-1

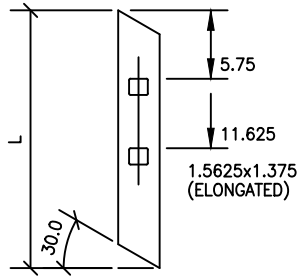
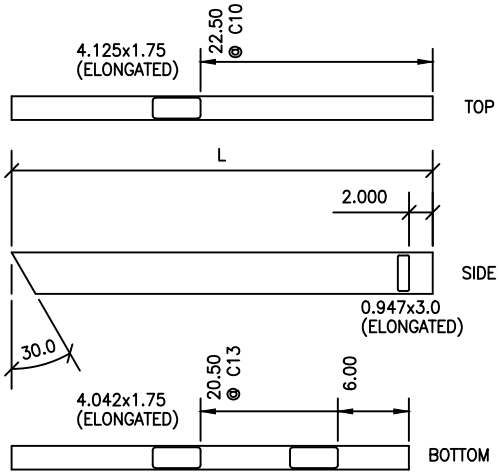
Kroy Gazebo

9 ft, 11 ft or 13 ft Diameter Sizes



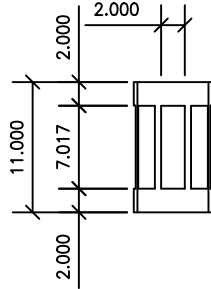
Kroy Gazebo

9 ft, 11 ft or 13 ft Diameter Sizes

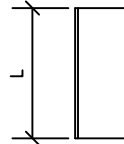


SK-13	
C1, C13	1.75x3.5

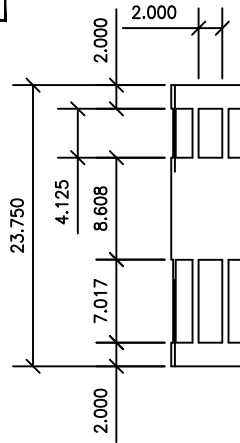
SK-12	
C2, C10	2x3.5



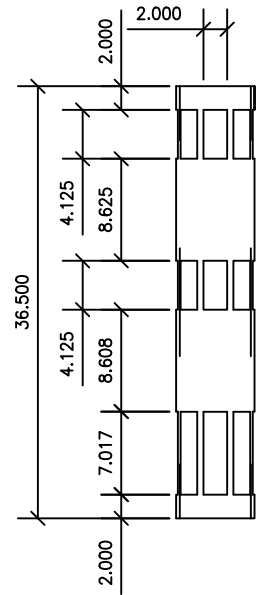
SK-14	
P13	6"φ SCH40



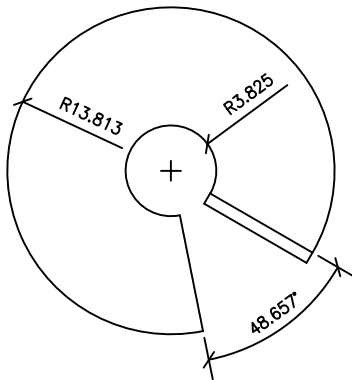
SK-15	
P14	4"φ SCH40



SK-16	
P15	6"φ SCH40



SK-17	
P17	6"φ SCH40



SK-18	
P18	PLASTIC SHEET

TO PLACE A CUPOLA ON ANY OF THE STANDARD GAZEBO SIZES, THE NUMBER OF ROOF PLANK MEMBERS NEEDS TO BE REDUCED. PART P11 AND P12 REQUIREMENTS WOULD BE AS FOLLOWS:

- 9' GAZEBO:
P11, ROOF SUPPORT, LENGTH TO 36"
P12, USE ROOF PLANKS 1-4 ONLY
- 11' GAZEBO:
P11, ROOF SUPPORT, LENGTH TO 51"
P12, USE ROOF PLANKS 1-6 ONLY
- 13' GAZEBO:
P11, ROOF SUPPORT, LENGTH TO 63.75"
P12, USE ROOF PLANKS 1-7 ONLY

THE CUPOLA POST HOLES MUST BE PLACED IN THE MAIN ROOF RAFTERS AS SHOWN.

Section 17 Kroy Gazebo



9 ft, 11 ft or 13 ft Diameter Sizes

9' STANDARD

#	DESCRIPTION	SKETCH	L	A	QUANT.	COMMENT
P1	POST BASE	-	60	.	8	.
P2	POST	SK-1	96	.	8	RAIL HOLES AS REQ'D
P3	RAIL	SK-3	39.55	4.775	14	HOLES @ 4.75" O.C.
P4	PICKET	SK-6	35.00	.	49	.
P5	LADDER RAIL	SK-2	39.55	5.213	16	HOLES @ 3.125" O.C.
P6	LADDER PICKET	SK-9	7.00	.	80	.
P7	MAIN RAFTER	SK-8	68.50	.	8	.
P8	RAFTER CAP	-	-	.	8	.
P9	PIN	SK-4	6.50	.	16	.
P10	MAIN FASCIA	SK-5	45.50	.	8	COMPOUND CUT
P11	ROOF SUPPORT	SK-11	59.625	.	16	.
P12	ROOF PLANK 1	SK-10	42.25	.	8	.
P12	ROOF PLANK 2	SK-10	36.625	.	8	.
P12	ROOF PLANK 3	SK-10	31.00	.	8	.
P12	ROOF PLANK 4	SK-10	25.25	.	8	.
P12	ROOF PLANK 5	SK-10	19.625	.	8	.
P12	ROOF PLANK 6	SK-10	14.00	.	8	.
P12	ROOF PLANK 7	SK-10	8.375	.	8	.
P13	CENTER TUBE	SK-14	11.00	.	1	.
P14	INNER TUBE	SK-15	11.00	.	1	.
P17	CENTER CAP	-	-	.	1	.
P18	CENTER RING	-	-	.	1	.

11' STANDARD

#	DESCRIPTION	SKETCH	L	A	QUANT.	COMMENT
P1	POST BASE	-	60	.	8	.
P2	POST	SK-1	96	.	8	RAIL HOLES AS REQ'D
P3	RAIL	SK-3	49.50	5.00	14	HOLES @ 4.75" O.C.
P4	PICKET	SK-6	35.00	.	63	.
P5	LADDER RAIL	SK-2	49.50	5.50	16	HOLES @ 3.125" O.C.
P6	LADDER PICKET	SK-9	7.00	.	104	.
P7	MAIN RAFTER	SK-8	83.50	.	8	.
P8	RAFTER CAP	-	-	.	8	.
P9	PIN	SK-4	6.50	.	16	.
P10	MAIN FASCIA	SK-5	55.458	.	8	COMPOUND CUT
P11	ROOF SUPPORT	SK-11	76.625	.	16	.
P12	ROOF PLANK 1	SK-10	52.25	.	8	.
P12	ROOF PLANK 2	SK-10	46.59	.	8	.
P12	ROOF PLANK 3	SK-10	41.00	.	8	.
P12	ROOF PLANK 4	SK-10	35.25	.	8	.
P12	ROOF PLANK 5	SK-10	29.625	.	8	.
P12	ROOF PLANK 6	SK-10	24.00	.	8	.
P12	ROOF PLANK 7	SK-10	18.375	.	8	.
P12	ROOF PLANK 8	SK-10	12.625	.	8	.
P12	ROOF PLANK 9	SK-10	7.00	.	8	.
P13	CENTER TUBE	SK-14	11.00	.	1	.
P14	INNER TUBE	SK-15	11.00	.	1	.
P17	CENTER CAP	-	-	.	1	.
P18	CENTER RING	-	-	.	1	.

SINGLE CUPOLA

#	DESCRIPTION	SKETCH	L	A	QUANT.	COMMENT
C1	CUPOLA POST	SK-13	21.75	.	8	.
C2	CUPOLA RAFTER	SK-12	43.125	.	8	.
C3	RAFTER CAP	-	-	.	8	.
C4	PLANK SUPPORT	SK-11	34.125	.	16	.
C5	LADDER RAIL	SK-2	23.58	3.787	16	HOLES @ 3.00" O.C.
C6	LADDER PICKET	SK-9	7.00	.	48	.
C7	FASCIA	SK-7	28.25	.	8	COMPOUND CUT
C8	ROOF PLANK 1	SK-10	25.60	.	8	.
C8	ROOF PLANK 2	SK-10	19.875	.	8	.
C8	ROOF PLANK 3	SK-10	14.25	.	8	.
C8	ROOF PLANK 4	SK-10	8.625	.	8	.
P15	CENTER TUBE	SK-16	23.75	.	1	.
P14	INNER TUBE	SK-15	23.75	.	1	.

13' STANDARD

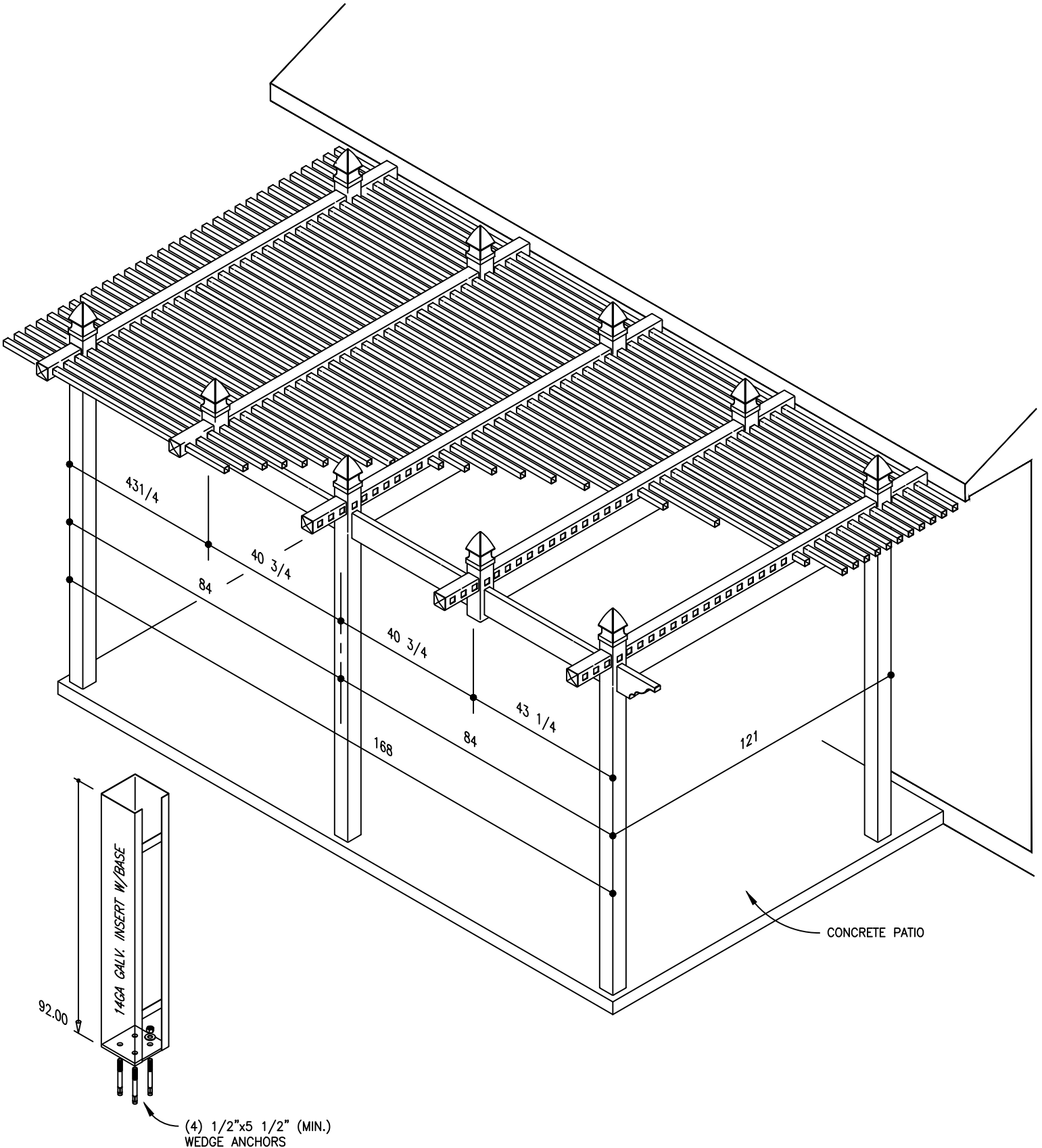
#	DESCRIPTION	SKETCH	L	A	QUANT.	COMMENT
P1	POST BASE	-	60	.	8	.
P2	POST	SK-1	96	.	8	RAIL HOLES AS REQ'D
P3	RAIL	SK-3	57.90	5.00	14	HOLES @ 4.75" O.C.
P4	PICKET	SK-6	35.00	.	77	.
P5	LADDER RAIL	SK-2	57.90	5.50	16	HOLES @ 3.00" O.C.
P6	LADDER PICKET	SK-9	7.00	.	128	.
P7	MAIN RAFTER	SK-8	96.25	.	8	.
P8	RAFTER CAP	-	-	.	8	.
P9	PIN	SK-4	6.50	.	16	.
P10	MAIN FASCIA	SK-5	63.875	.	8	COMPOUND CUT
P11	ROOF SUPPORT	SK-11	83.125	.	16	.
P12	ROOF PLANK 1	SK-10	60.625	.	8	.
P12	ROOF PLANK 2	SK-10	55.00	.	8	.
P12	ROOF PLANK 3	SK-10	49.375	.	8	.
P12	ROOF PLANK 4	SK-10	43.625	.	8	.
P12	ROOF PLANK 5	SK-10	38.063	.	8	.
P12	ROOF PLANK 6	SK-10	32.375	.	8	.
P12	ROOF PLANK 7	SK-10	26.75	.	8	.
P12	ROOF PLANK 8	SK-10	21.125	.	8	.
P12	ROOF PLANK 9	SK-10	15.50	.	8	.
P12	ROOF PLANK 10	SK-10	9.75	.	8	.
P13	CENTER TUBE	SK-14	11.00	.	1	.
P14	INNER TUBE	SK-15	11.00	.	1	.
P17	CENTER CAP	-	-	.	1	.
P18	CENTER RING	-	-	.	1	.

DOUBLE CUPOLA

#	DESCRIPTION	SKETCH	L	A	QUANT.	COMMENT
LOWER PORTION						
C1	CUPOLA POST	SK-13	60	.	8	.
C2	CUPOLA RAFTER	SK-12	43.125	.	8	.
C3	RAFTER CAP	-	-	.	8	.
C4	PLANK SUPPORT	SK-11	25.625	.	16	.
C5	LADDER RAIL	SK-2	23.58	3.787	16	HOLES @ 3.00" O.C.
C6	LADDER PICKET	SK-9	7.00	.	72	UPPER AND LOWER
C7	FASCIA	SK-7	28.25	.	8	COMPOUND CUT
C8	ROOF PLANK 1	SK-10	25.60	.	8	.
C8	ROOF PLANK 2	SK-10	19.875	.	8	.
C8	ROOF PLANK 3	SK-10	14.25	.	8	.
UPPER PORTION						
C8	ROOF PLANK 1	SK-10	16.30	.	8	.
C8	ROOF PLANK 2	SK-10	10.625	.	8	.
C9	LADDER RAIL	SK-2	19.00	3.787	16	HOLES @ 3.00" O.C.
C10	CUPOLA RAFTER	SK-12	28.00	.	8	.
C11	PLANK SUPPORT	SK-11	17.00	.	16	.
C12	FASCIA	SK-7	19.00	.	8	COMPOUND CUT
C13	CUPOLA POST	SK-13	35.00	.	8	.
P17	CENTER TUBE	SK-17	36.50	.	1	.
P14	INNER TUBE	SK-15	39.75	.	1	.

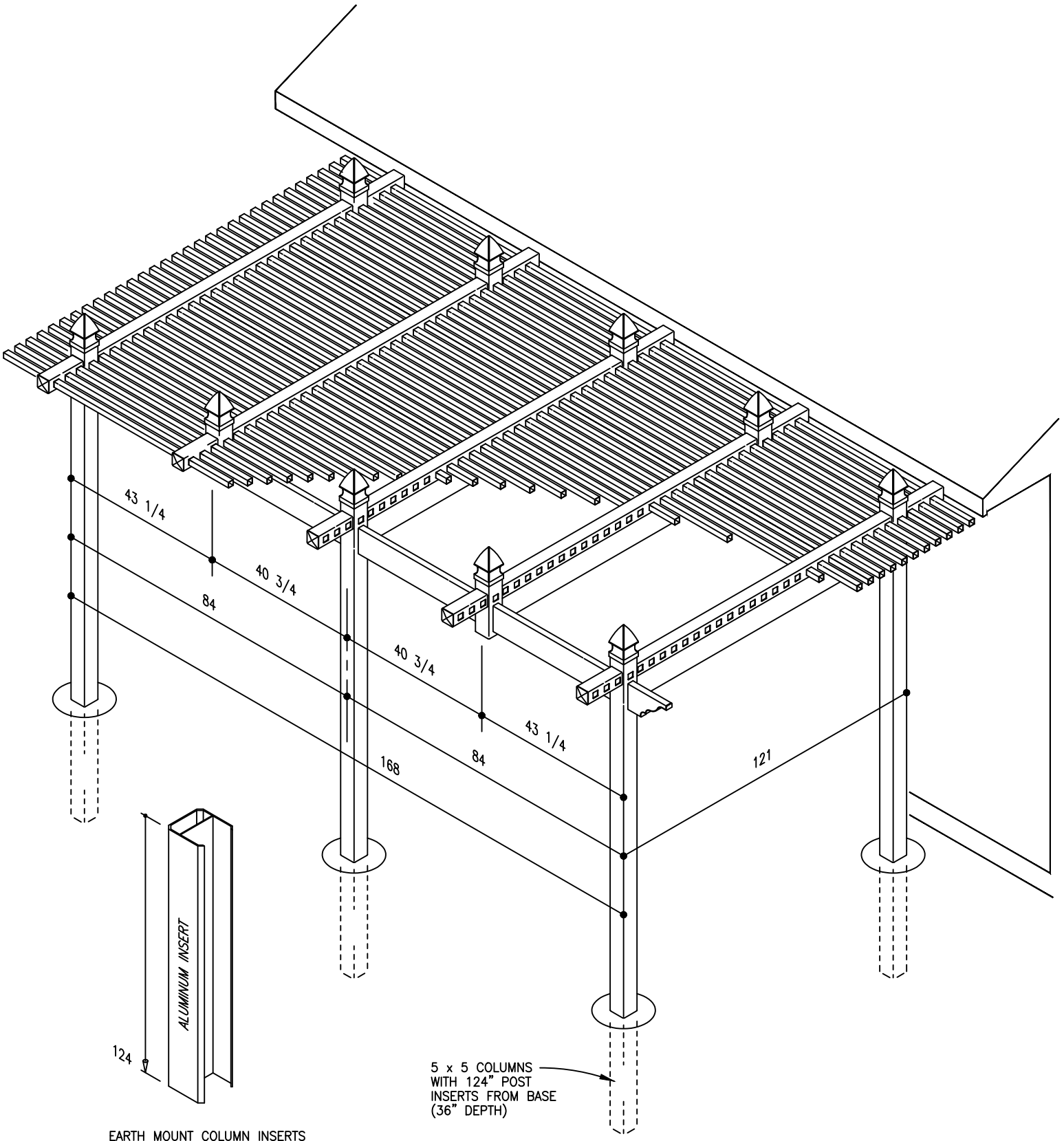
P215

10' x 14' Surface Mount Pergola



SURFACE MOUNT COLUMN INSERT

10' x 14' In Ground Pergola



6 ft x 4 ft Solid Privacy Gate

Matches K28D fence in Section 6

REQ'D MATERIAL

STILE:

(2) 2 1/2 x 70 3/4 Classic Gate Wrap

POST CAP:

(2) 2 1/2 x 2 1/2 Decorative Cap

RAIL:

(2) 2 x 6 1/2 x 40 1/4 Slotted **

PANEL:

(5) 1 x 8 x 57 3/4 T&G

HARDWARE:

(2) 2 1/2 x 2 1/2 x 70 3/4 Vertical Stile Gate Inst

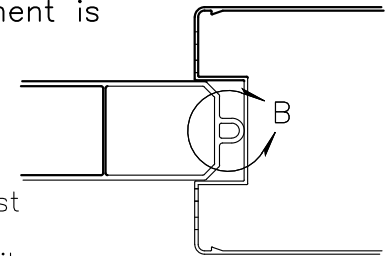
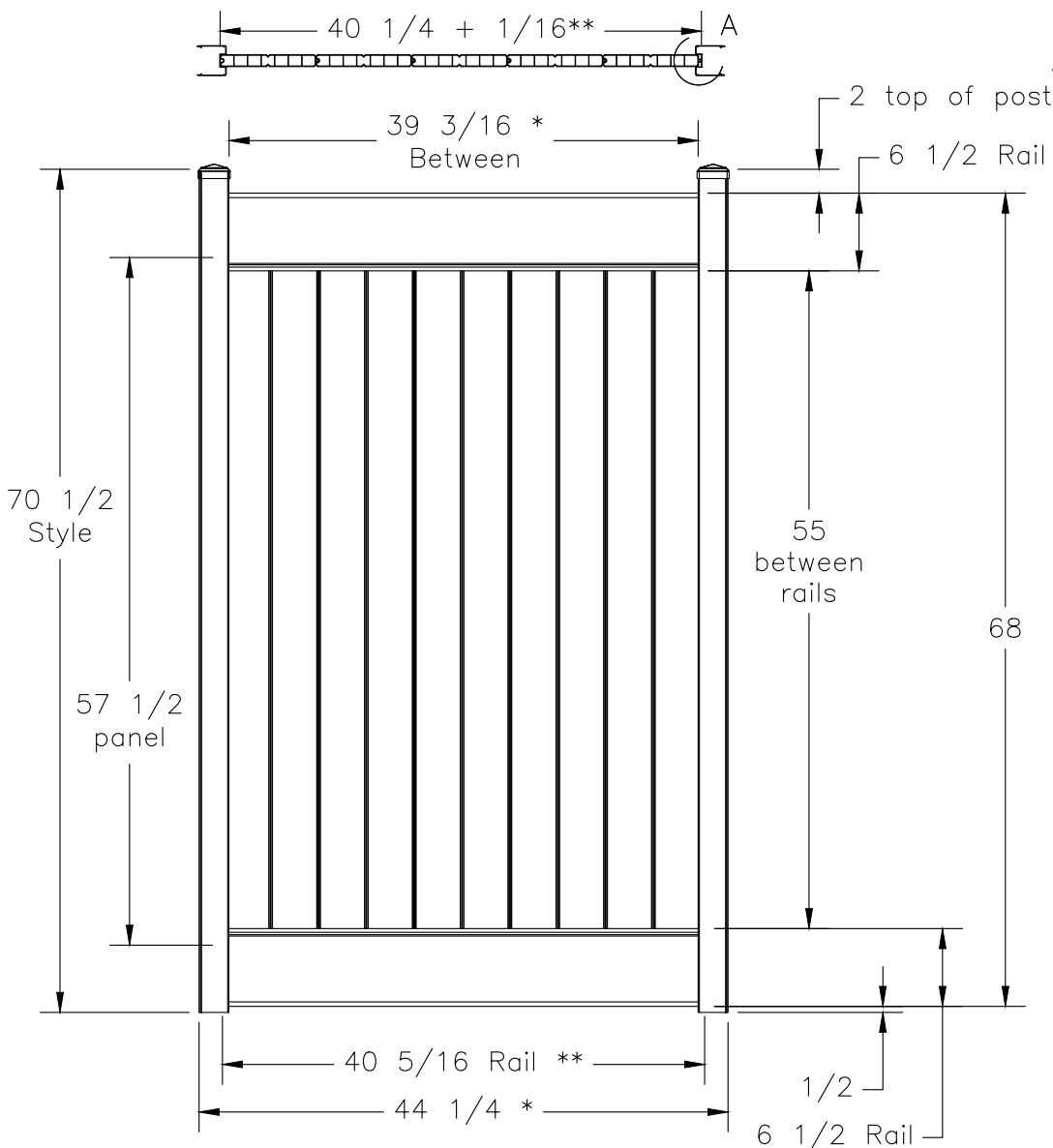
(2) 2 x 6 1/2 x 40 1/4 Gate Insert

(4) Classic Gate Washer

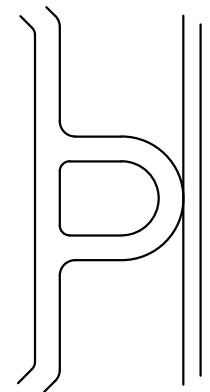
(1) Classic Gate Hex 1 1/2" Bolt

* These measurements will change based on prior instruction.

** Lay the 5 1"x8" panels side by side. Measure total width of the panels then add 1/16. This is your rail length. This measurement is critical to the fit of the gate.



DETAIL A



DETAIL B

RECOMMEND ADJOINING GATE POSTS BE INSTALLED PER KSPEC-001

5 ft x 4 1/2 ft Wide Closed Top Picket Gate

Matches K25 fence found in Section 5

REQD MATERIAL

STILE:

(2) 2 1/2 x 58 1/2 Classic Gate Wrap

POST CAP:

(2) 2 1/2 x 2 1/2 Decorative Cap

RAIL:

(3) 2 x 3 1/2 x 46 1/16 Open RW

PICKET:

(7) 1 x 2 x 52

HARDWARE:

(2) 2 1/2 x 2 1/2 x 58 1/2 Vertical

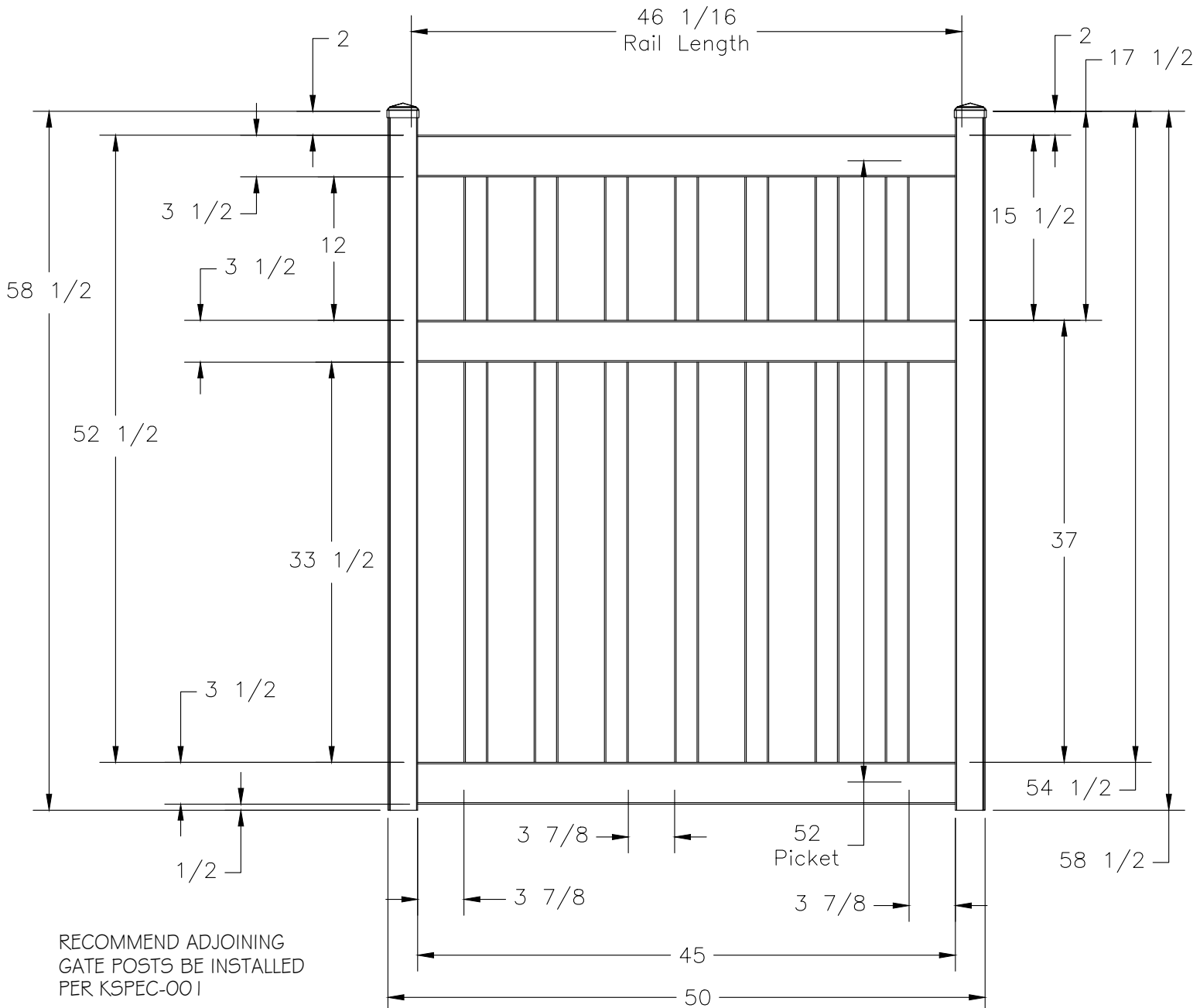
Stile Gate Insert

(2) 2 x 3 1/2 x 46 1/16 Gate Insert

(2) 2 x 3 1/2 x 3 Gate Insert

(6) Classic Gate Washer

(18) Classic Gate Hex 1 1/2" Bolt



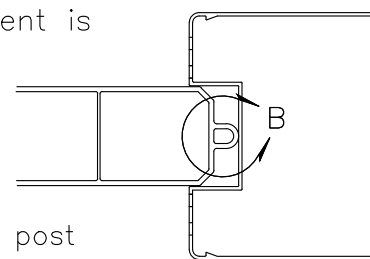
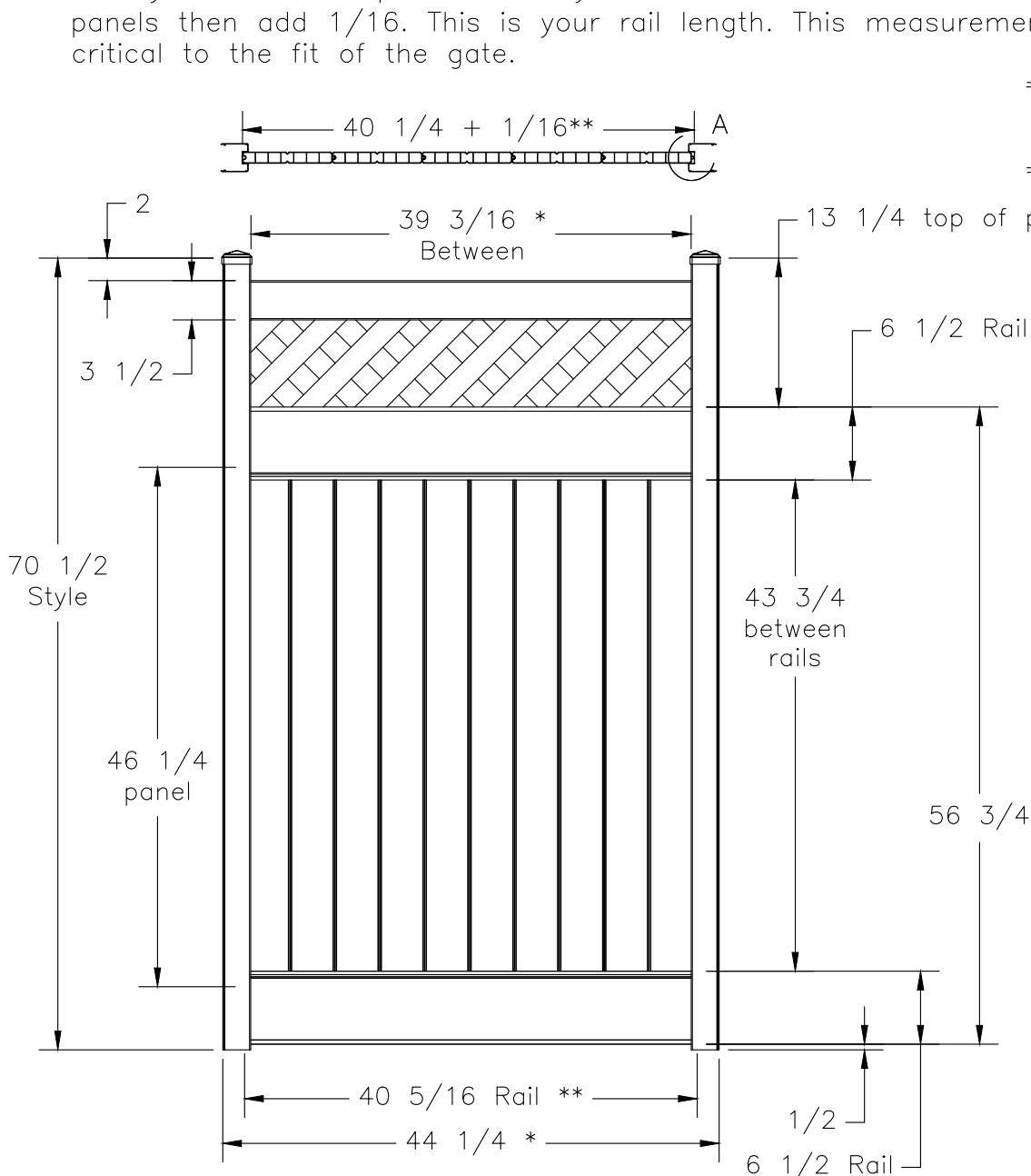
6 ft x 4 ft Privacy with Lattice Gate

Matches K31 fence in Section 7

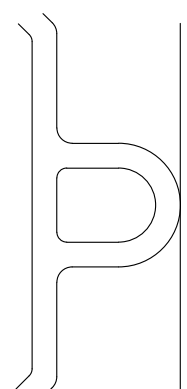
STILE:	REQ'D MATERIAL	HARDWARE:
(2) 2 1/2 x 70 1/2 Classic Gate Wrap		(2) 2 1/2 x 2 1/2 x 70 1/2 Vertical Stile Gate Insert
POST CAP:		(1) 2 x 6 1/2 x 40 1/4 Gate Insert
(2) 2 1/2 x 2 1/2 Decorative Cap		(1) 2 x 3 1/2 x 40 1/4 Gate Insert
RAIL:		(4) Classic Gate Washer
(2) 2 x 6 1/2 x 40 1/4 Slotted **		(12) Classic Gate Hex 1 1/2" Bolt
(1) 2 x 3 1/2 x 40 1/4 Open RW		
PANEL:		
(5) 1 x 8 x 46 3/8 T#G		
(1) 1 1/2 x 40 1/4 Lattice		

* These measurements will change based on prior instruction.

** Lay the 5 1"x8" panels side by side. Measure total width of the panels then add 1/16. This is your rail length. This measurement is critical to the fit of the gate.



DETAIL A

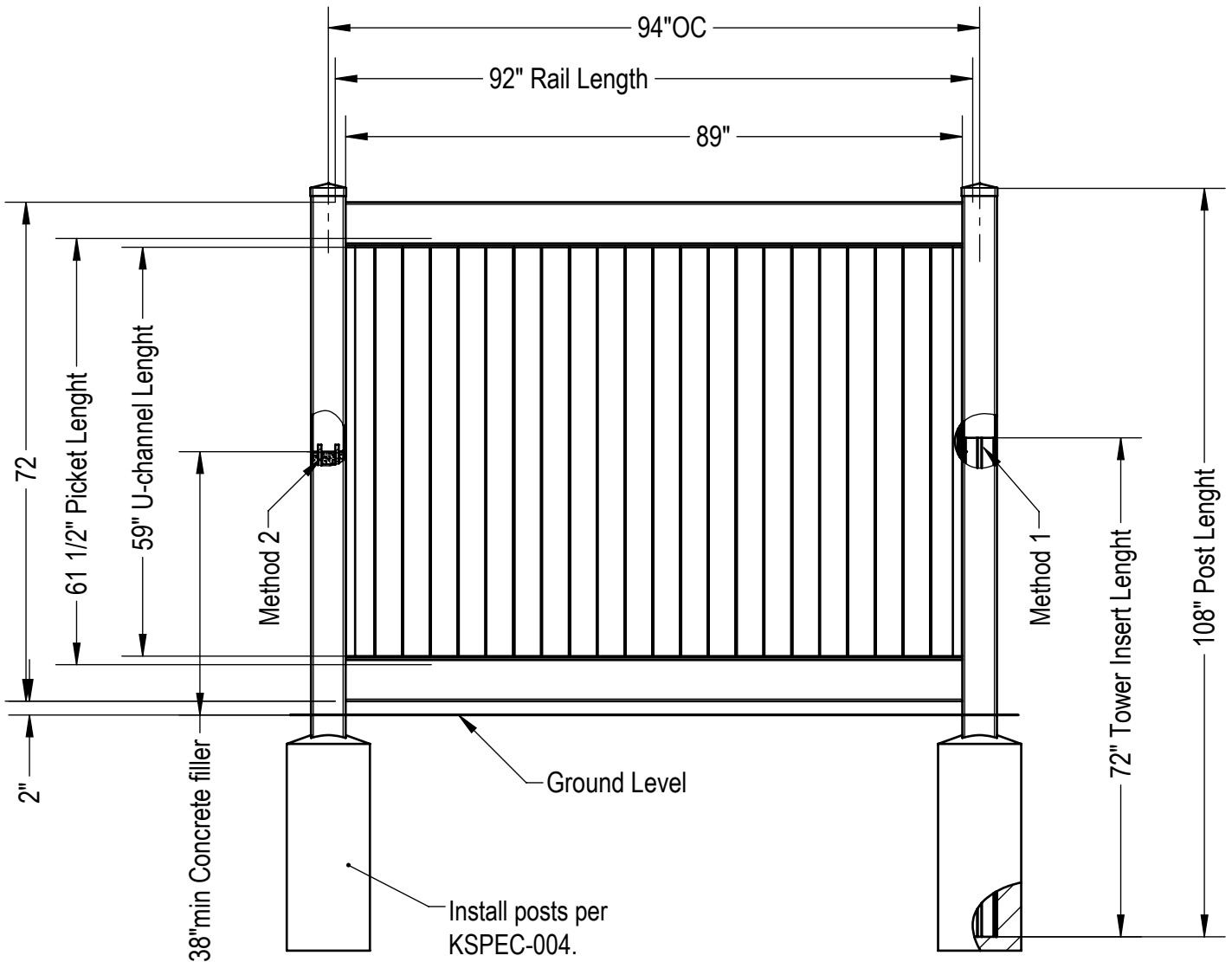


DETAIL B

RECOMMEND ADJOINING GATE POSTS BE INSTALLED PER KSPEC-001

72" H x 94" W Wide Privacy

with 2 x 6 1/2 Rail & 1 x 8 T&G Picket



QTY	PART NUMBER	LENGTH
2	5 x 5 Post	108"
2	2 x 6 1/2 Slotted Rail	92"
1	P-Channel alum.insert	92"
11	1 x 8 T&G Picket	61 1/2"
2	7/8 U-Channel	59"
6	#10 x 3/4" Screw	
2	5 x 5 External Long Cap	
2	5 x 5 Post Tower Insert *	72"
	Filler and rebar 1/2" *	

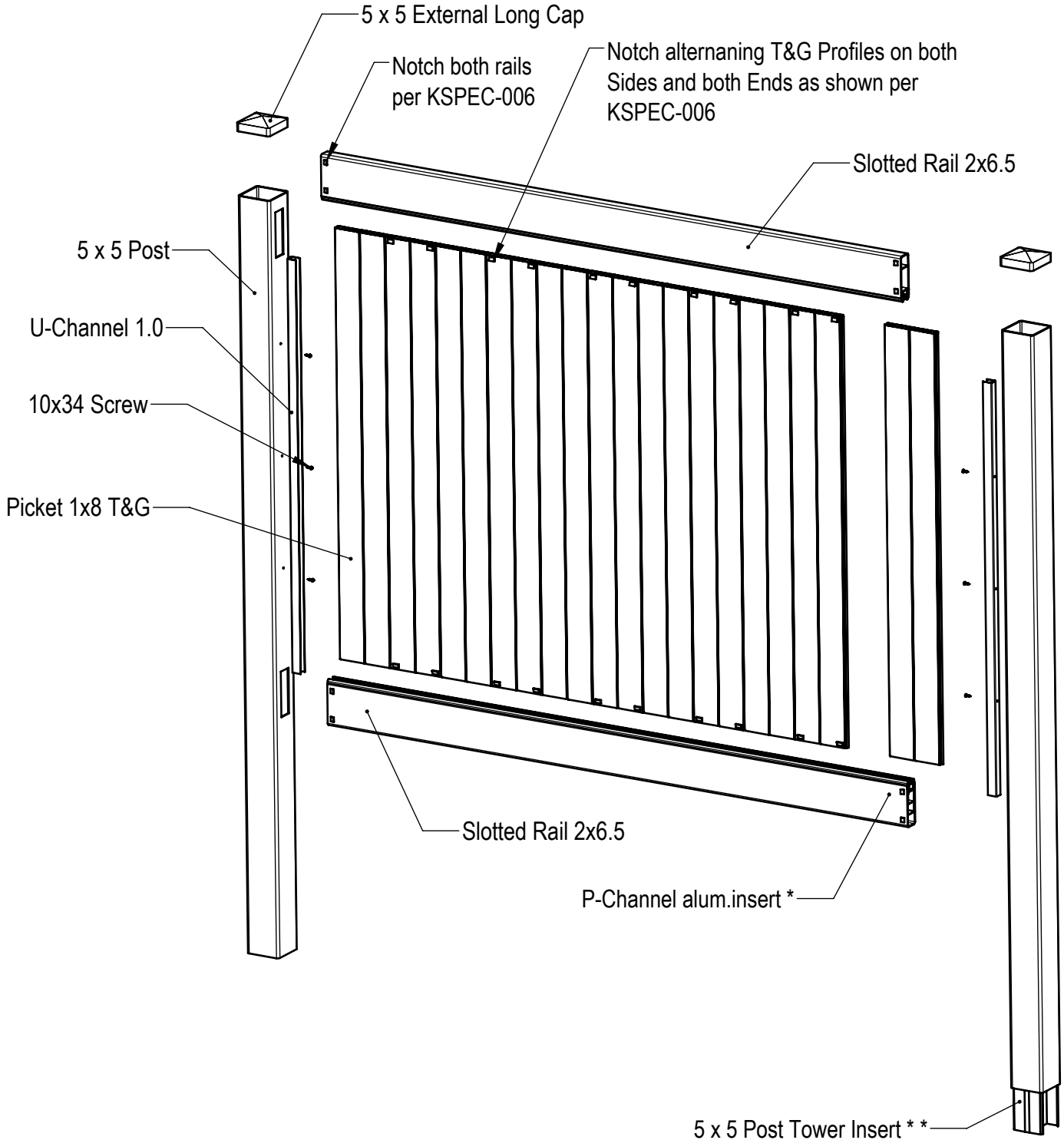
* Chose one Method Required for High Wind areas:
 Method 1 - Post Tower Insert;
 Method 2 - Concrete Filler with two 1/2 Diameter Rebar

P299

Sheet 1 of 2
 02-03-23

72" H x 94" W Wide Privacy

with 2 x 6 1/2 Rail & 1 x 8 T&G Picket

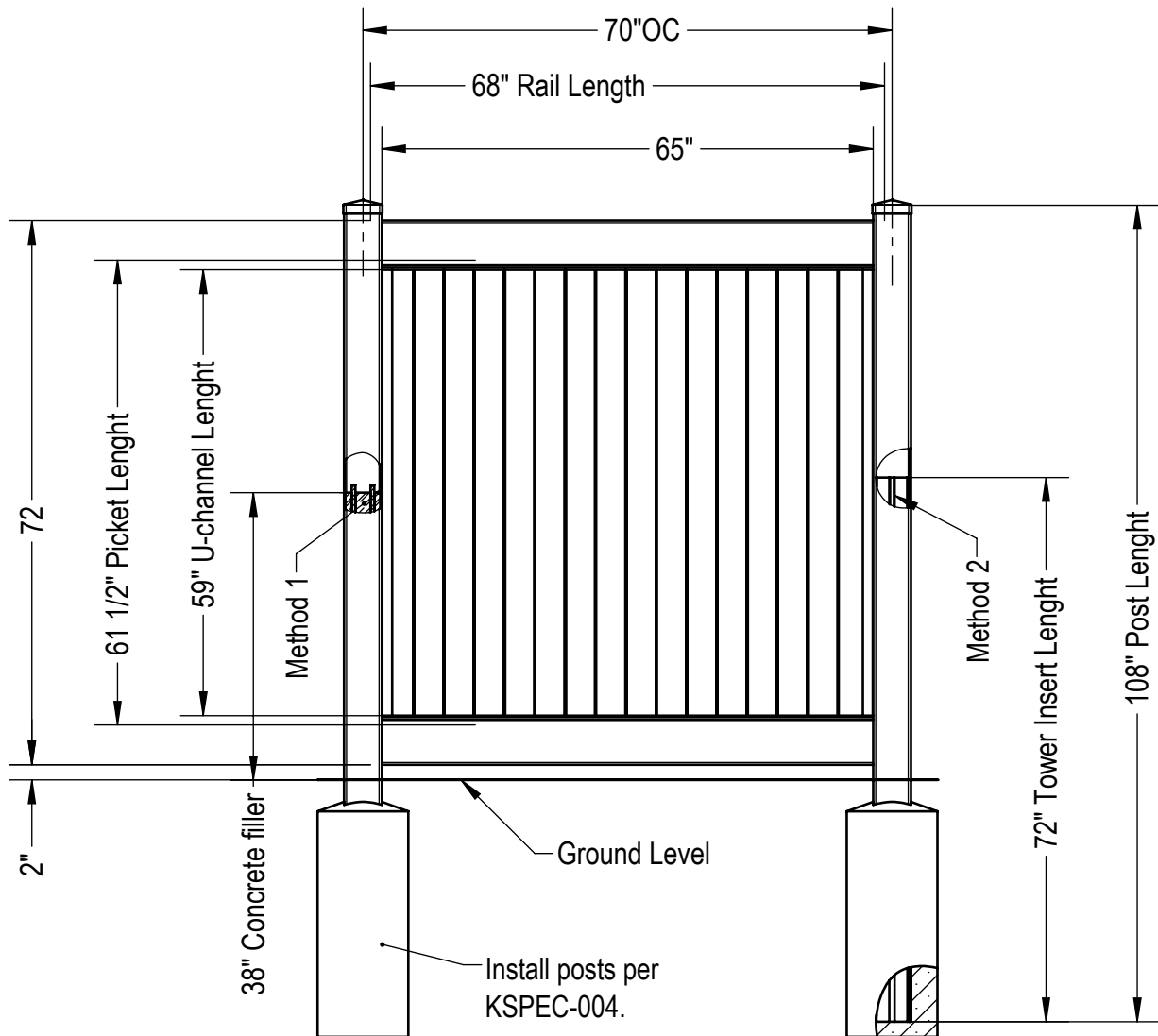


** Alum. Insert in Bottom Rail is not Required on White, Tan or Sandstone. All other colors greater than 60" wide must install insert.

P299

72" H x 70" W Wide Privacy

with 2 x 6 1/2 Rail & 1 x 8 T&G Picket



QTY	PART NUMBER	LENGTH
2	5 x 5 Post	108"
2	2 x 6 1/2 Slotted Rail	68"
1	P-Channel alum.insert	68"
8	1 x 8 T&G Picket	61 1/2"
2	7/8 U-Channel	59"
6	#10 x 3/4" Screw	
2	5 x 5 External Long Cap	
2	5 x 5 Post Tower Insert *	72"
	Filler and rebar 1/2" *	

* Chose one Method Required for High Wind areas:

Method 1 - Post Tower Insert;

Method 2 - Concrete Filler with two 1/2 Diameter Rebar

149

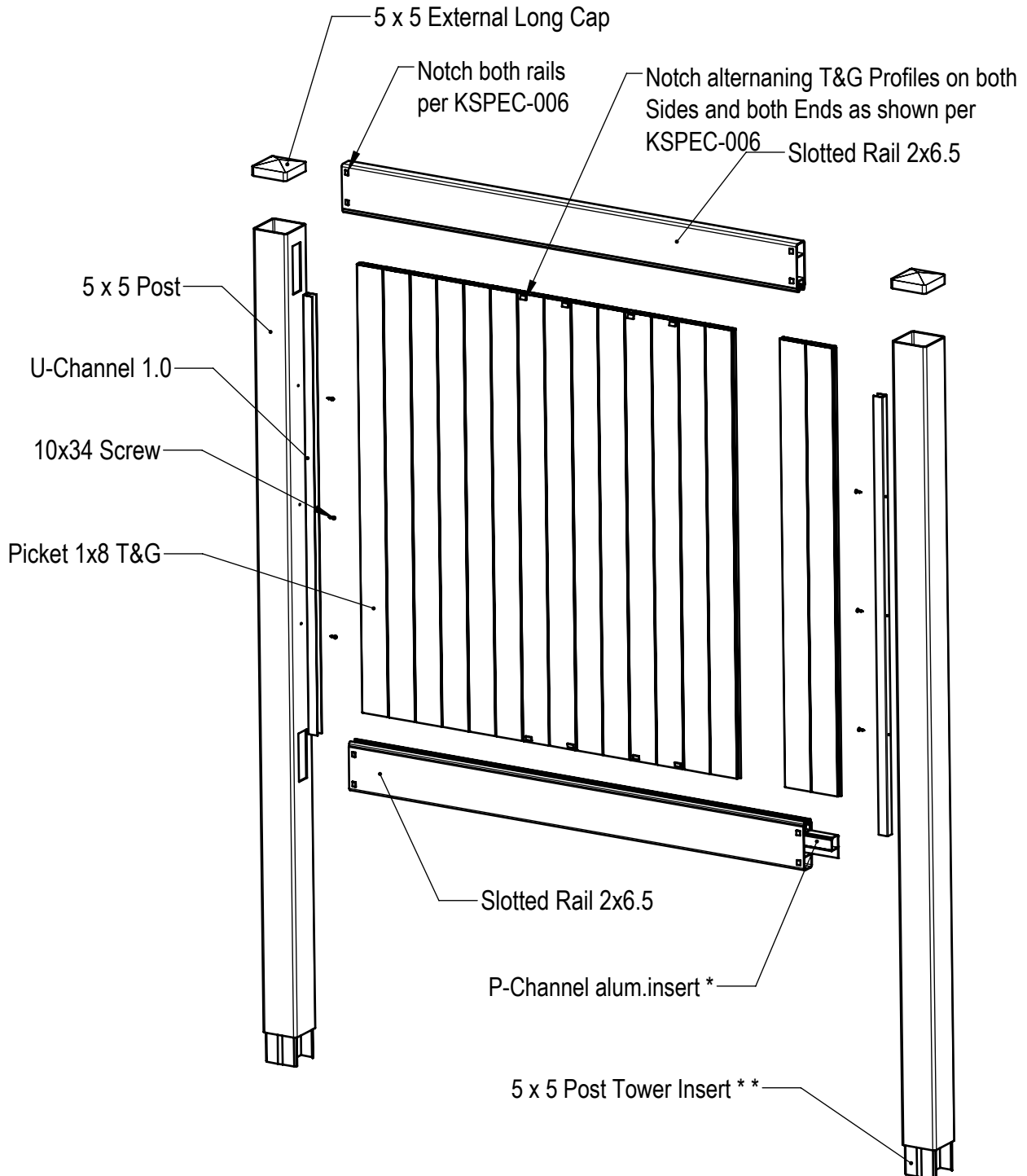
P300

Sheet 1 of 2

02-03-23

72" H x 70" W Wide Privacy

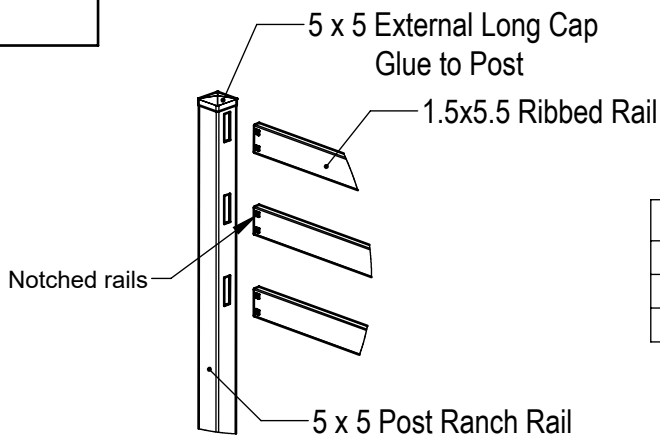
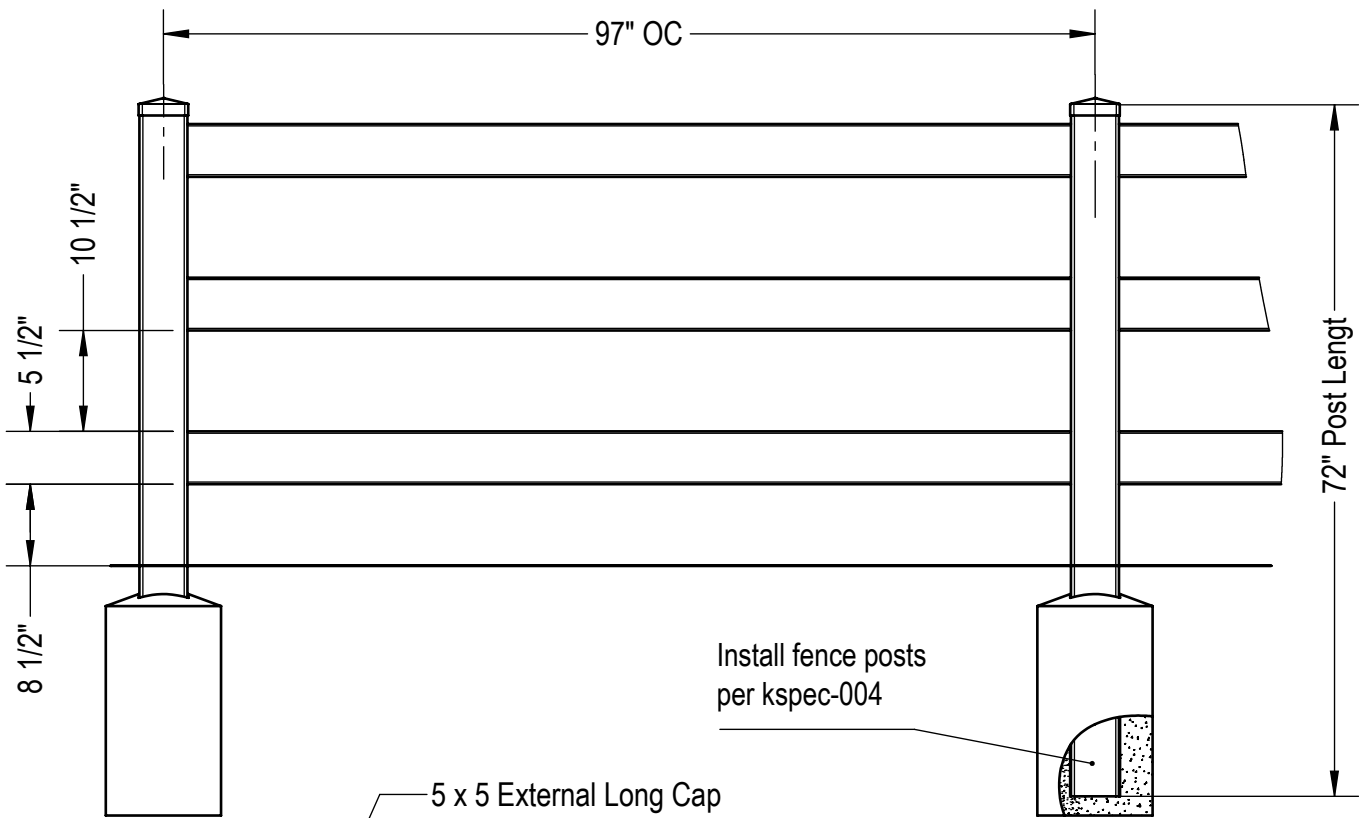
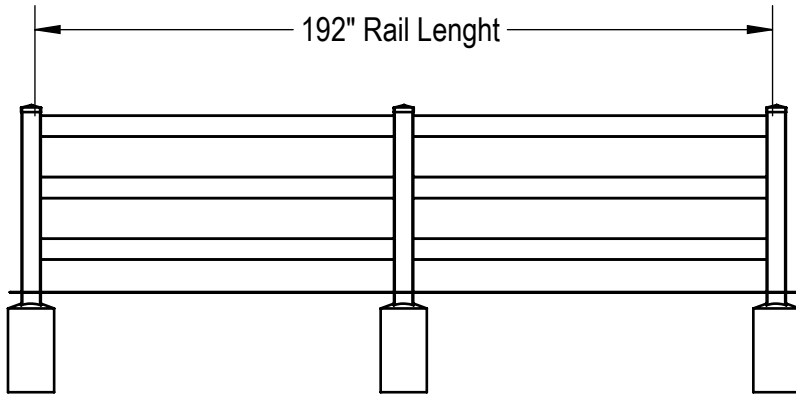
with 2 x 6 1/2 Rail & 1 x 8 T&G Picket



** Alum. Insert in Bottom Rail is not Required on White, Tan or Sandstone. All other colors greater than 60" wide must install insert.

4 ft 3-Rail PreFab Classic Ranch Rail

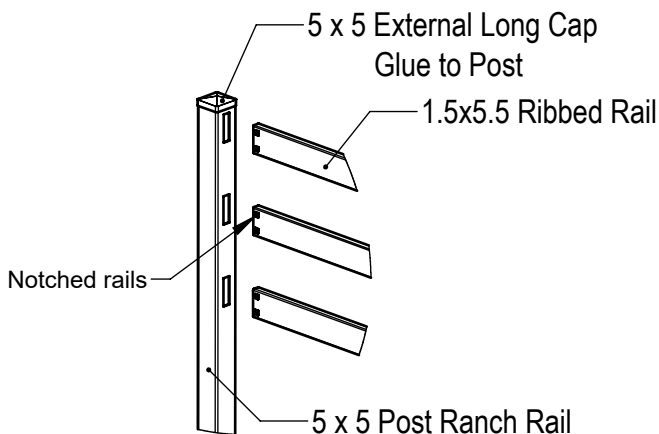
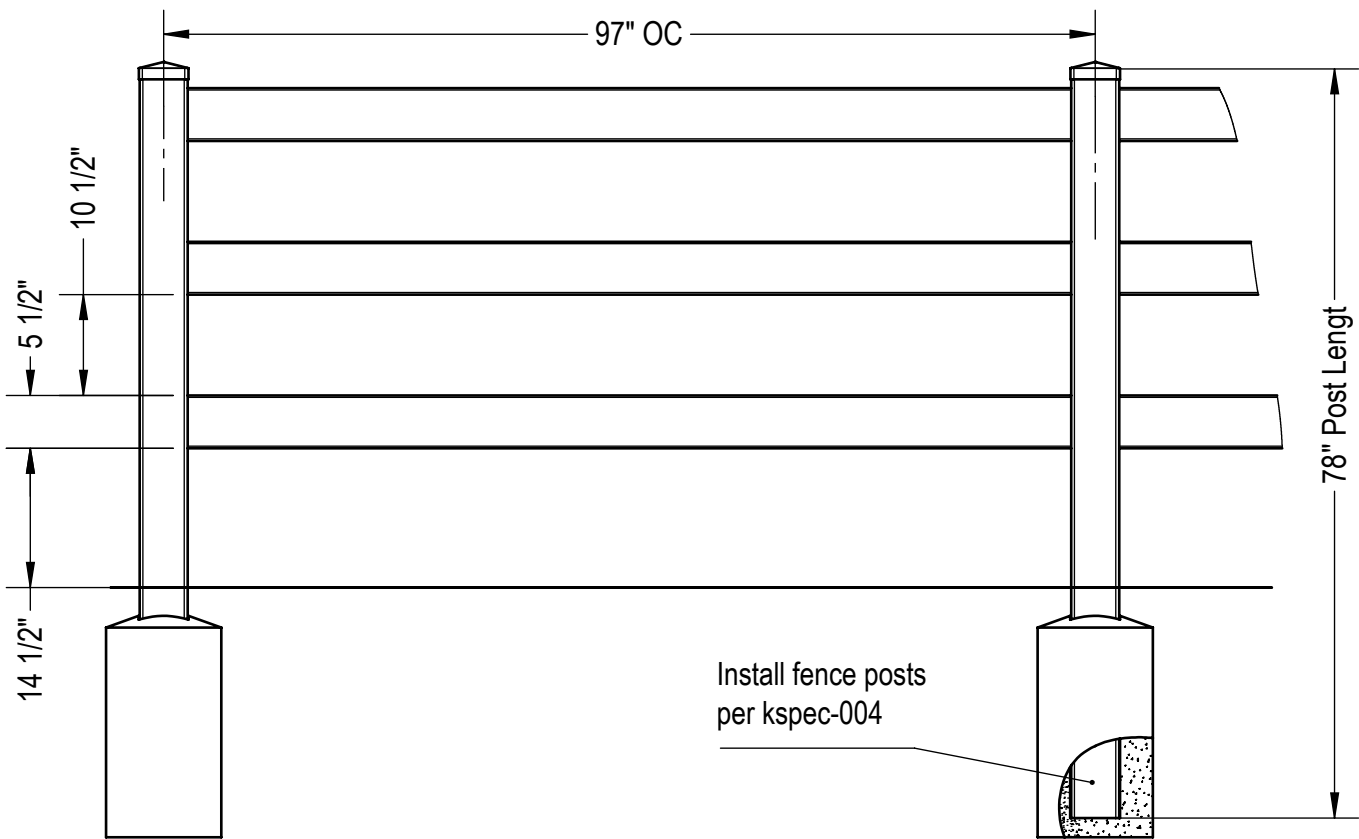
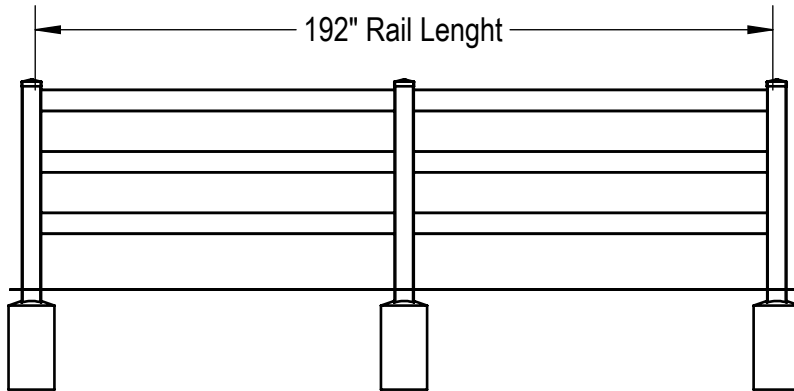
Required Material per 16' Section



ITEM	PART NUMBER	LENGHT	QTY
1	5 x 5 Post	72"	3
2	7/8 x 6 Rib Plank	192"	3
3	5 x 5 External Long Cap		3

4 1/2 ft 3-Rail PreFab Classic Ranch Rail

Required Material per 16' Section



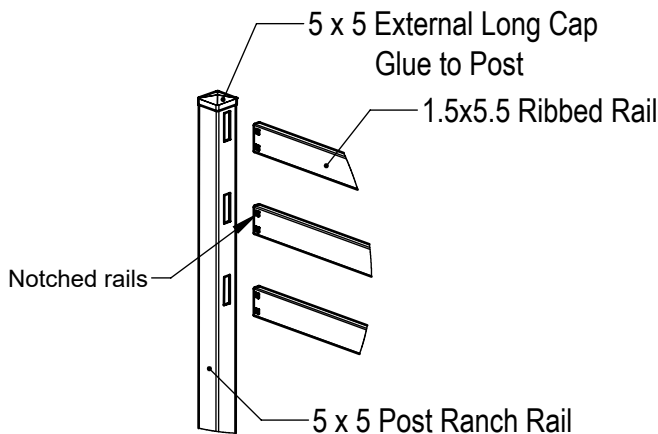
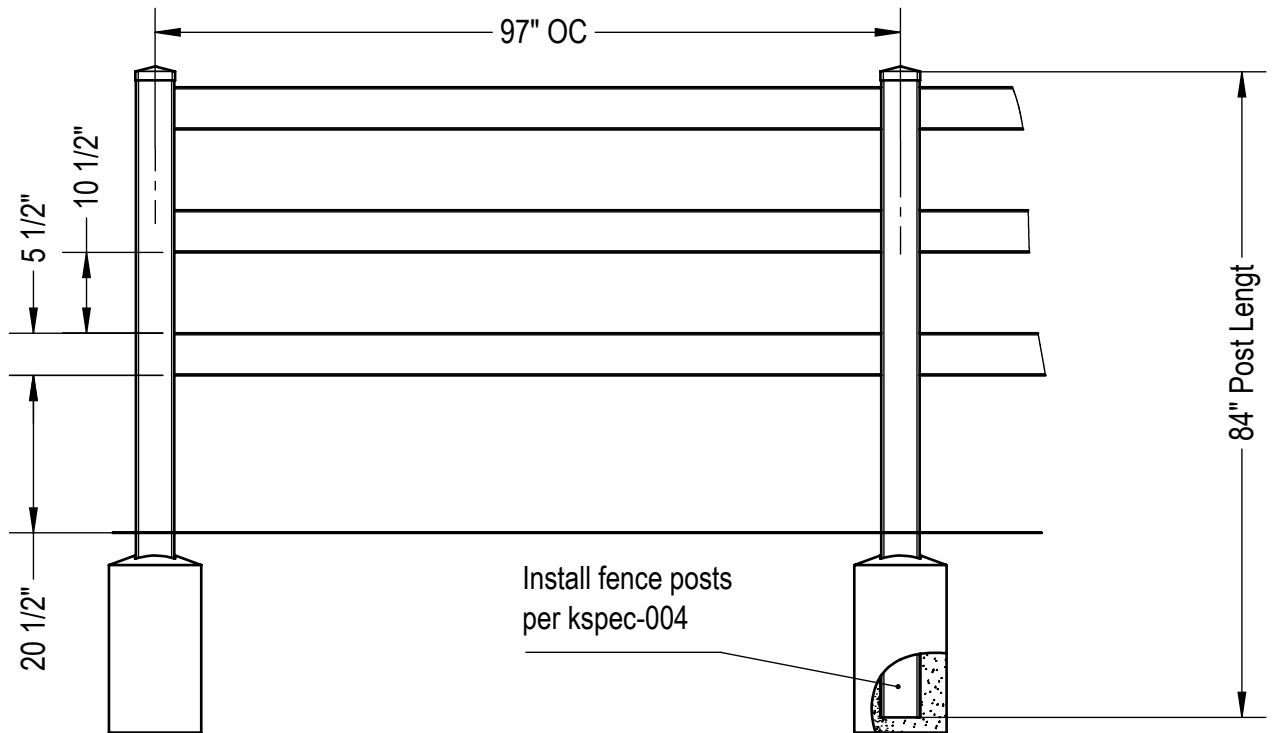
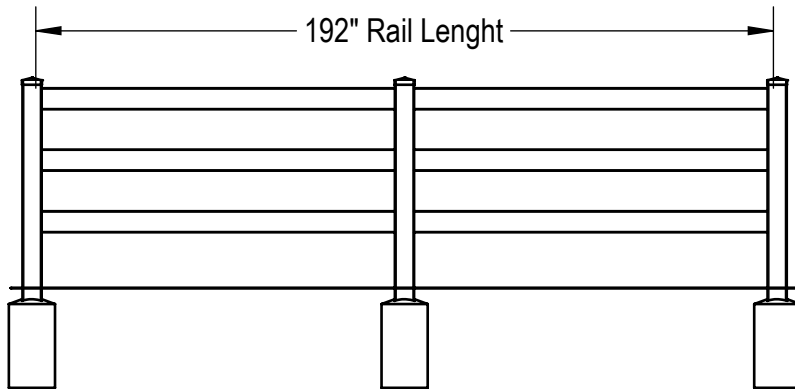
ITEM	PART NUMBER	LENGHT	QTY
1	5 x 5 Post	78"	3
2	7/8 x 6 Rib Plank	192"	3
3	5 x 5 External Long Cap		3

P304

Sheet 1 of 1
01-13-23

5 ft. 3-Rail PreFab Classic Ranch Rail

Required Material per 16' Section

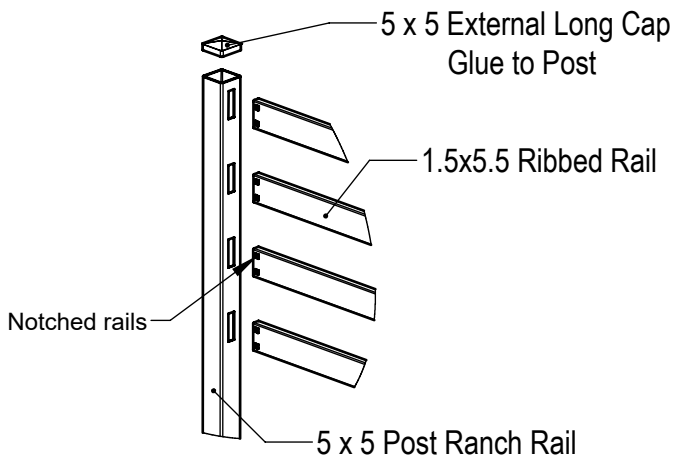
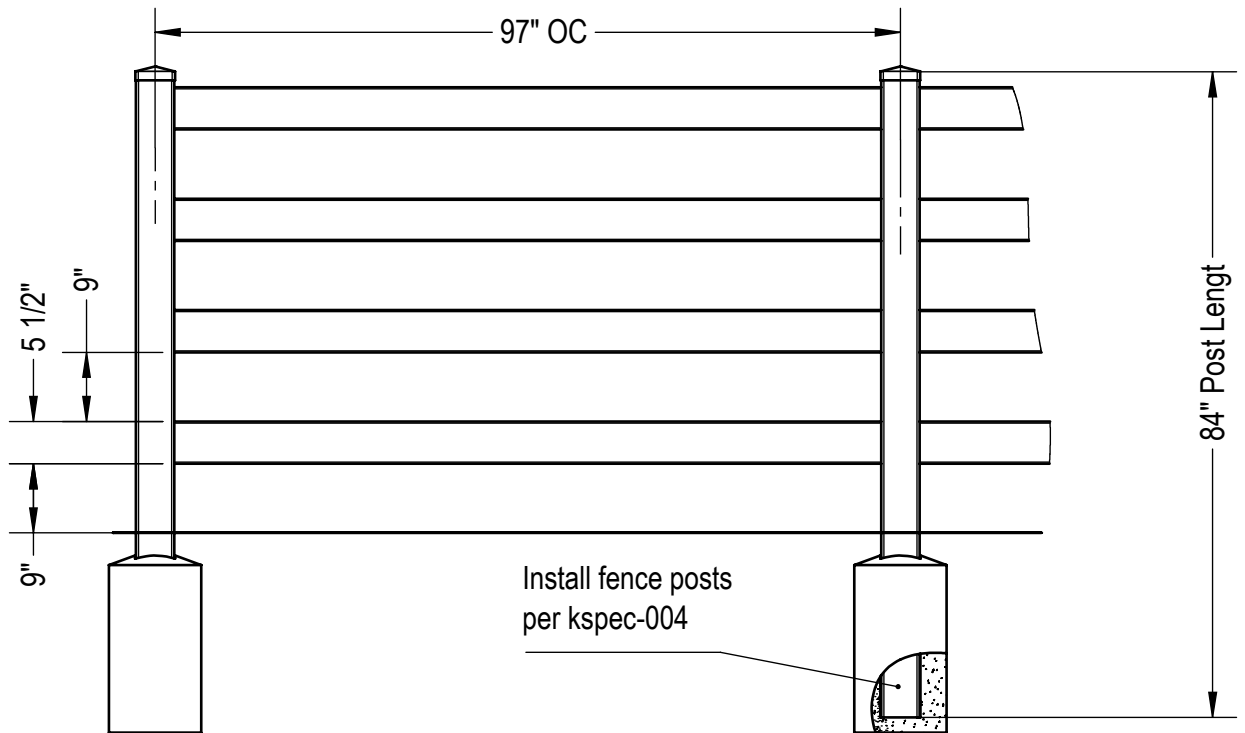
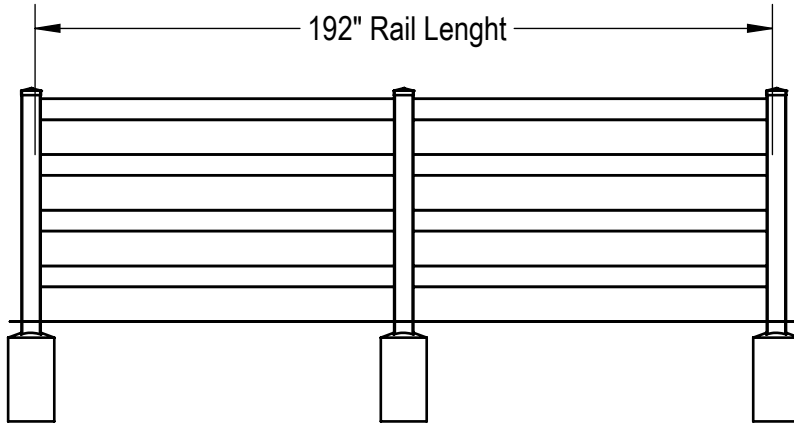


ITEM	PART NUMBER	LENGHT	QTY
1	5 x 5 Post	84"	3
2	7/8 x 6 Rib Plank	192"	3
3	5 x 5 External Long Cap		3

Note:
Stagger joints of rails in every other post.
Required material per 16' Section.

5 ft 4-Rail PreFab Classic Ranch Rail

Required Material per 16' Section



ITEM	PART NUMBER	LENGHT	QTY
1	5 x 5 Post	84"	3
2	7/8 x 6 Rib Plank	192"	4
3	5 x 5 External Long Cap		3

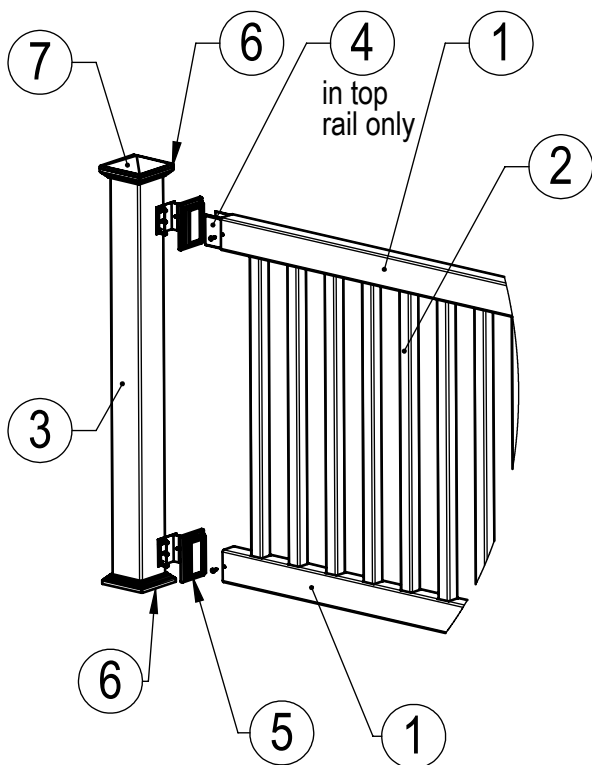
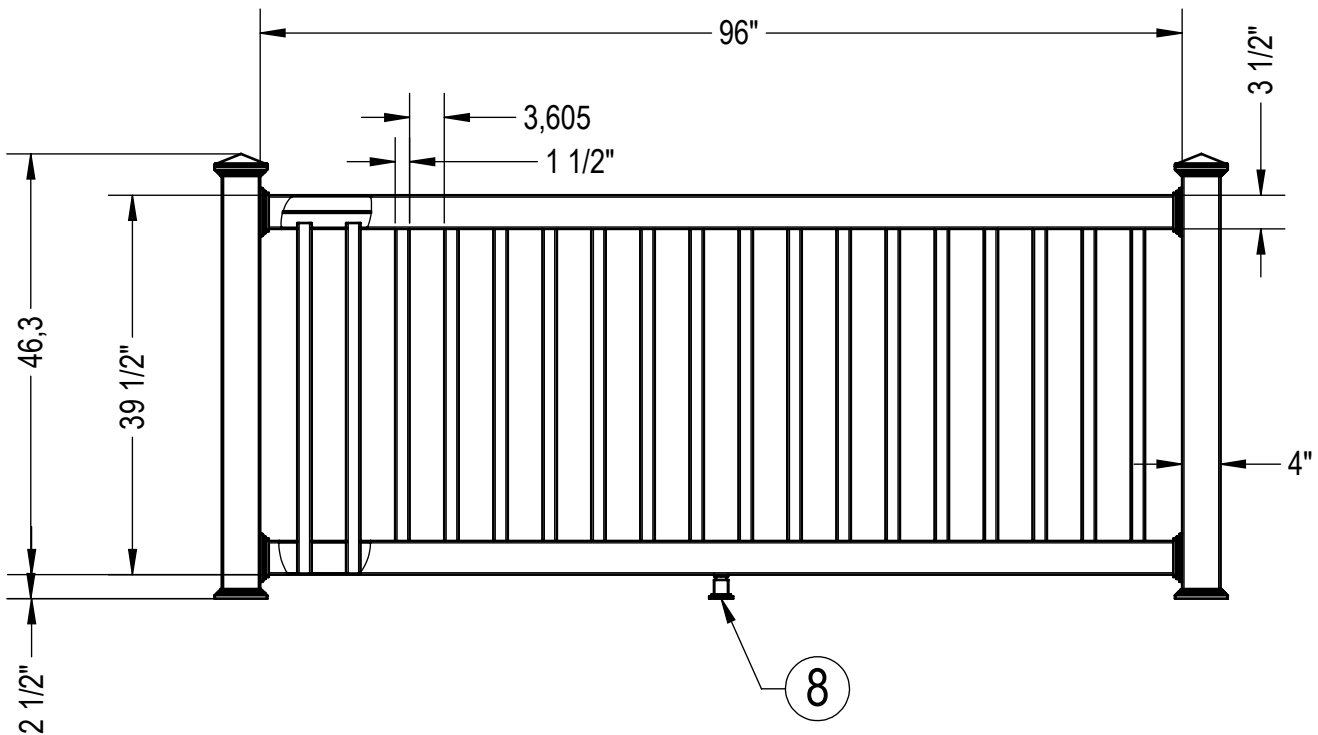
Note:
Stagger joints of rails in every other post.
Required material per 16' Section.

P306

Sheet 1 of 1
01-14-23

3 1/2' x 8' Standard Rail (STD wall)

Required Material per 16' Section



See Sheet 2 !

ITEM	DESCRIPTION	LENGTH	Part list	NOTE
1	Rail 2 x 3 1/2 STD	95 3/4"	2	
2	Picket 1.5 x 1.5	36 1/2"	18	
3	Post 4x4	45"	2	
4	Aluminum H-insert	95 1/2"	1	
5	Bracket 2x3.5 OEM Base		-	Option 1
5	Bracket 2x3.5 Mod Base		4	Option 2
5	Bracket 2x3.5 Straight		-	Option 3
6	Trim 4 x 4 Classic		4	
7	Cap 4 x 4 Classic		2	
8	Adjustable Footblock		1	
9	#10 x 3/4" Screw		6	

FOR OTHER CODE EVALUATED PICKETS PLEASE REFER TO THE PICKET MATRIX AT BEGINNING OF SECTION 14

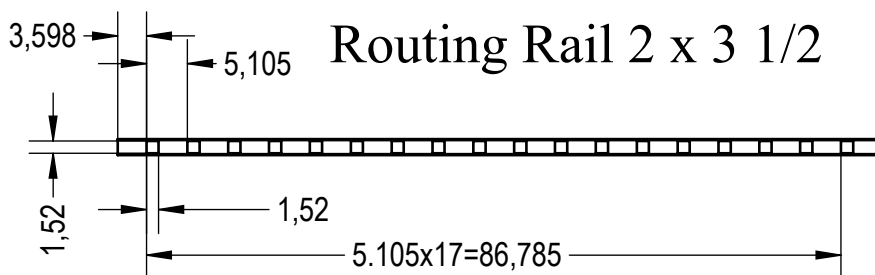
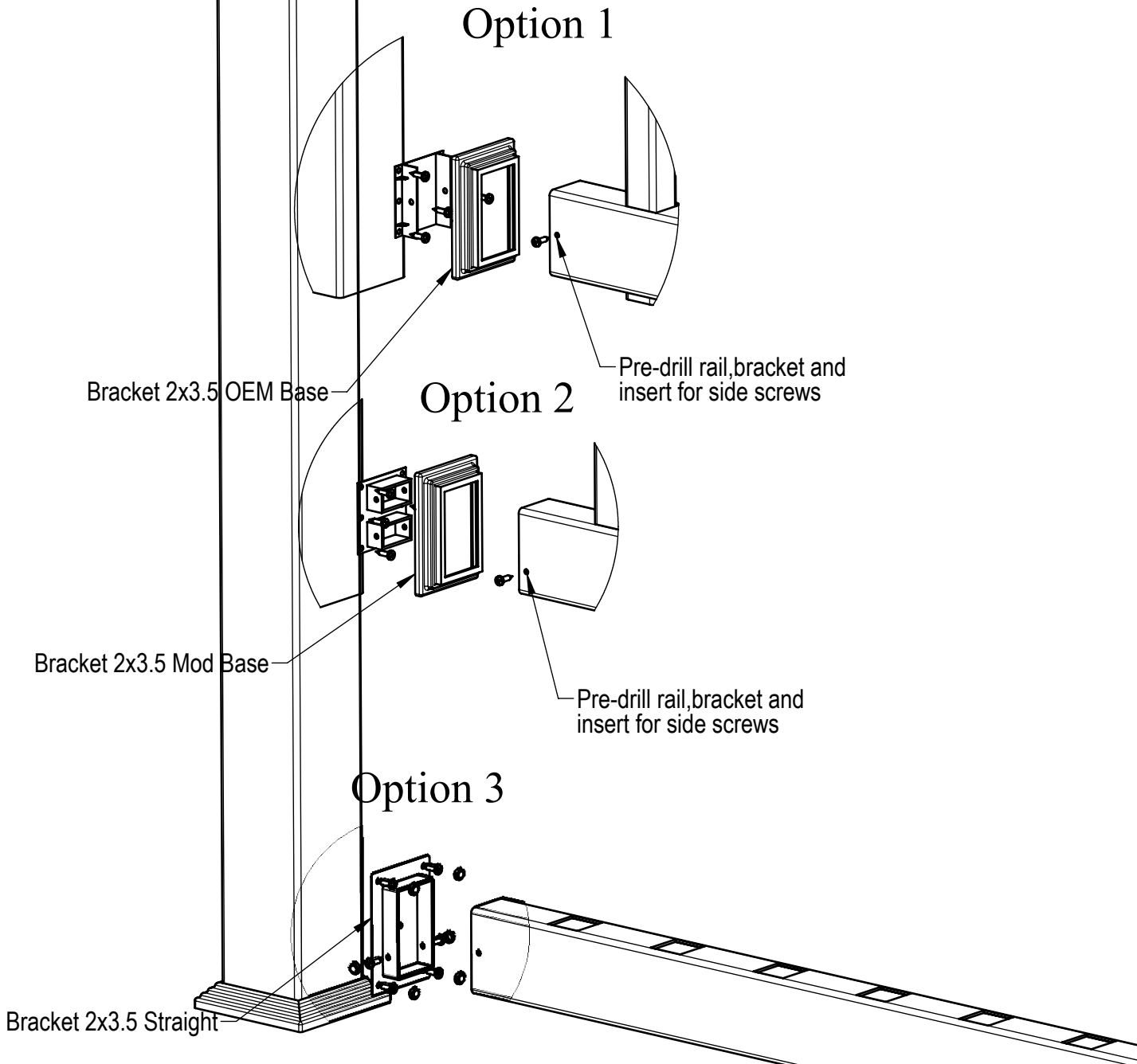
This Railing System has been tested in accordance with ICC-ES AC-174 (June 1, 2009) for compliance with 2006 International Building Code (IBC), 2006 International Residential Code (IRC).

P308

Sheet 1 of 2
02-15-23

3 1/2' x 8' Standard Rail (STD wall)

Required Material per 16' Section

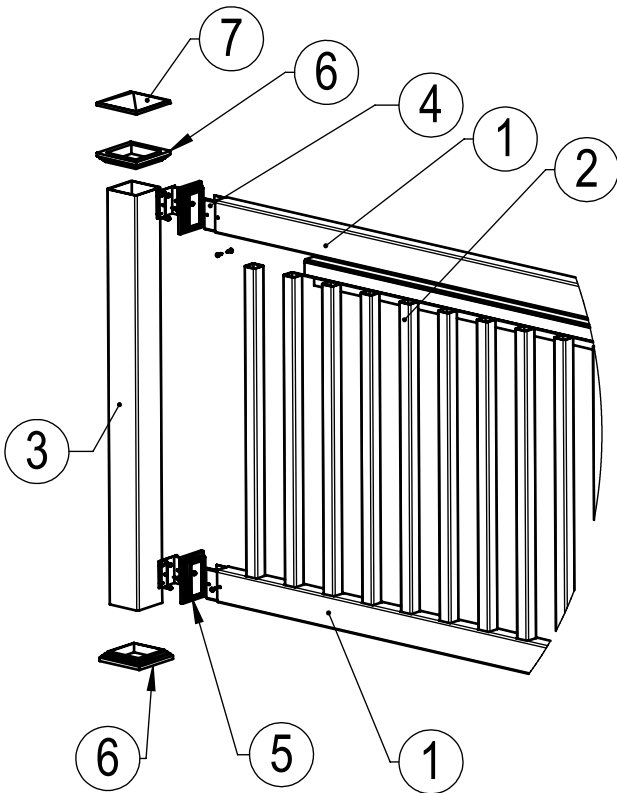
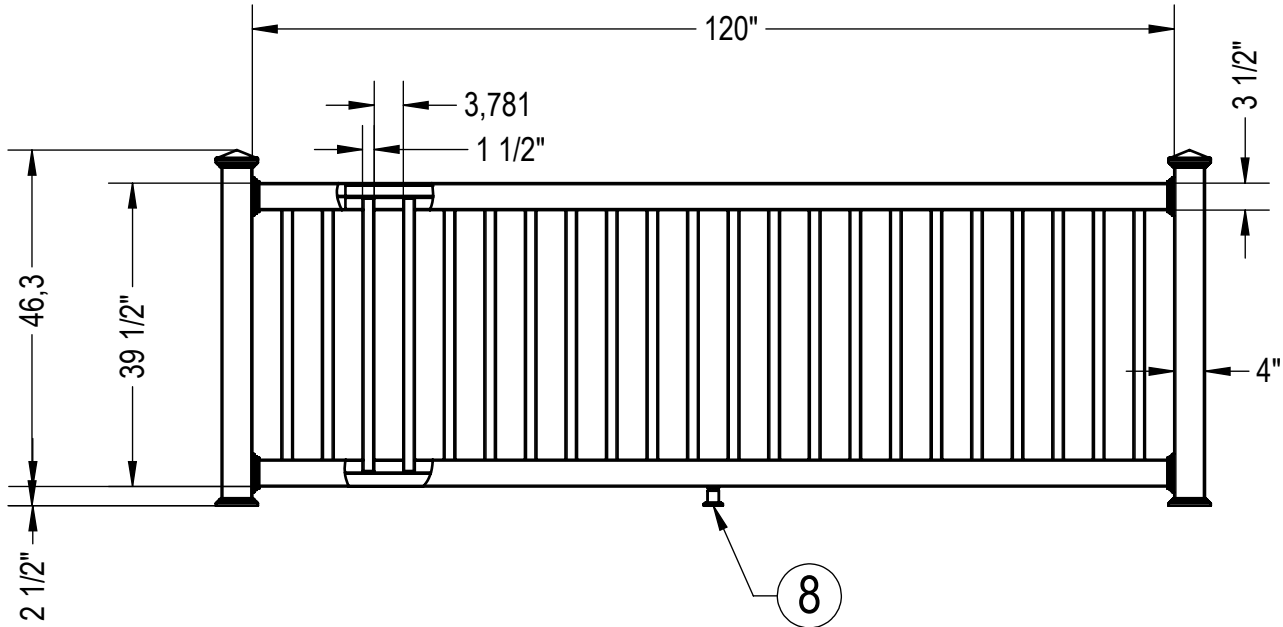


P308

Sheet 2 of 2
02-15-23

3 1/2' x 10' Standard Rail (STD wall)

Required Material per 10' Section



See Sheet 2 !

ITEM	DESCRIPTION	LENGHT	QTY	NOTE
1	Rail 2 x 3 1/2 STD	119 3/4"	2	
2	Picket 1.5 x 1.5	35,44	22	
3	Post 4x4	45"	2	
4	Aluminum H-insert	119 3/4"	2	
5	Bracket 2x3.5 OEM Base		4	Option1
5	Bracket 2x3.5 Mod Base		4	Option 2
5	Bracket 2x3.5 Straight		4	Option 3
6	Trim 4 x 4 Classic		4	
7	Cap 4 x 4 Classic		2	
8	Ajuctable Footblock		1	
9	#10 x 3/4" Screw		8	
12	P-insert for 2x3.5 rail	95 3/4"	1	

FOR OTHER CODE EVALUATED PICKETS PLEASE REFER TO THE PICKET MATRIX AT BEGINNING OF SECTION 14

This Railing System has been tested in accordance with ICC-ES AC-174 (June 1, 2009) for compliance with 2006 International Residential Code (IRC) for 1 and 2 family dwelling.

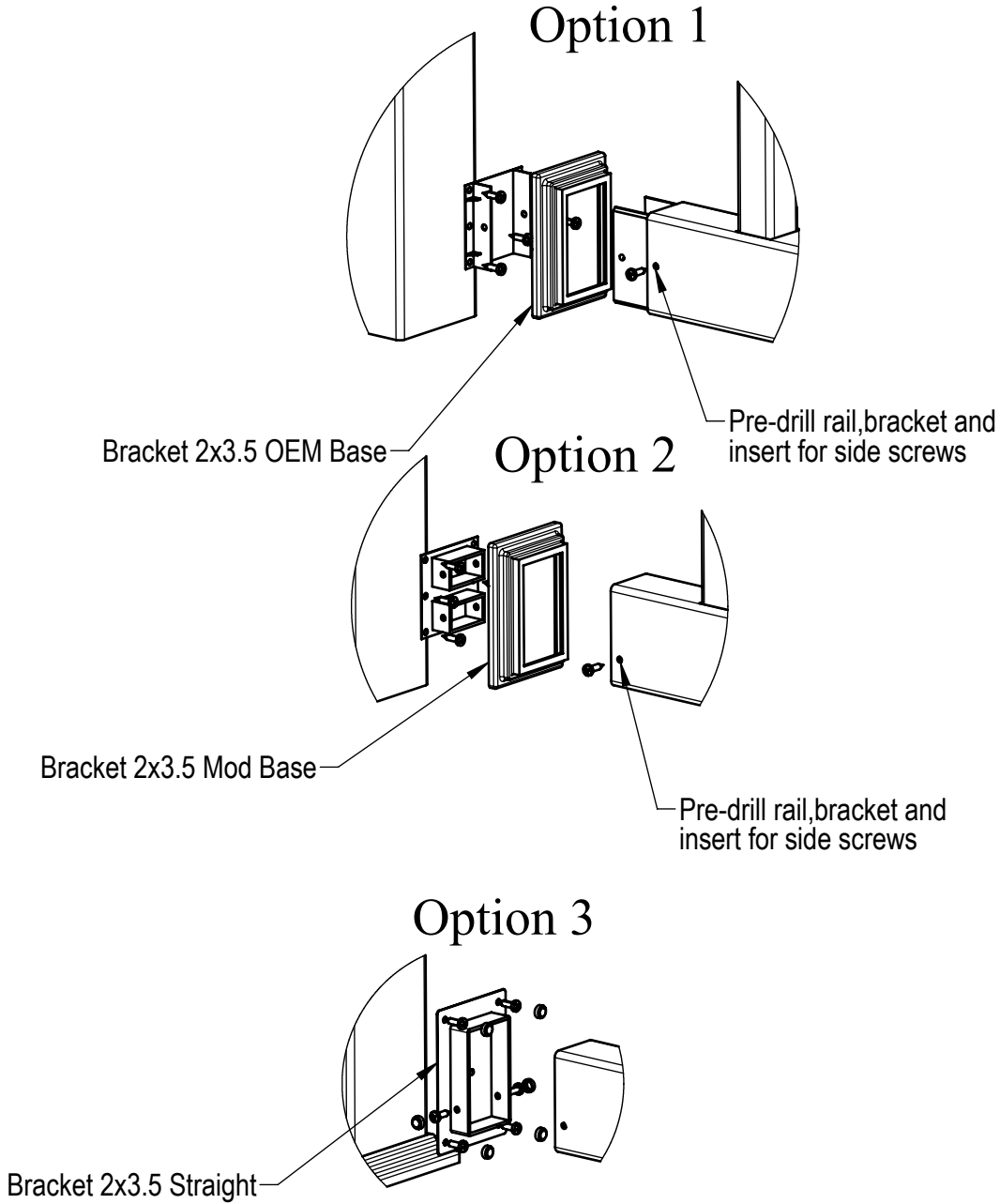
P309

Sheet 1 of 2

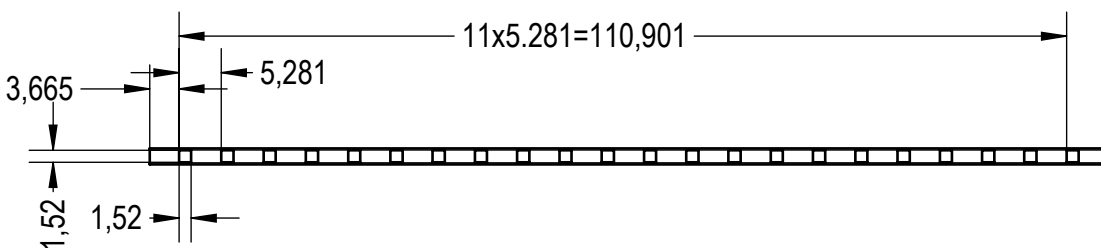
02-15-23

3 1/2' x 10' Standard Rail (STD wall)

Required Material per 10' Section

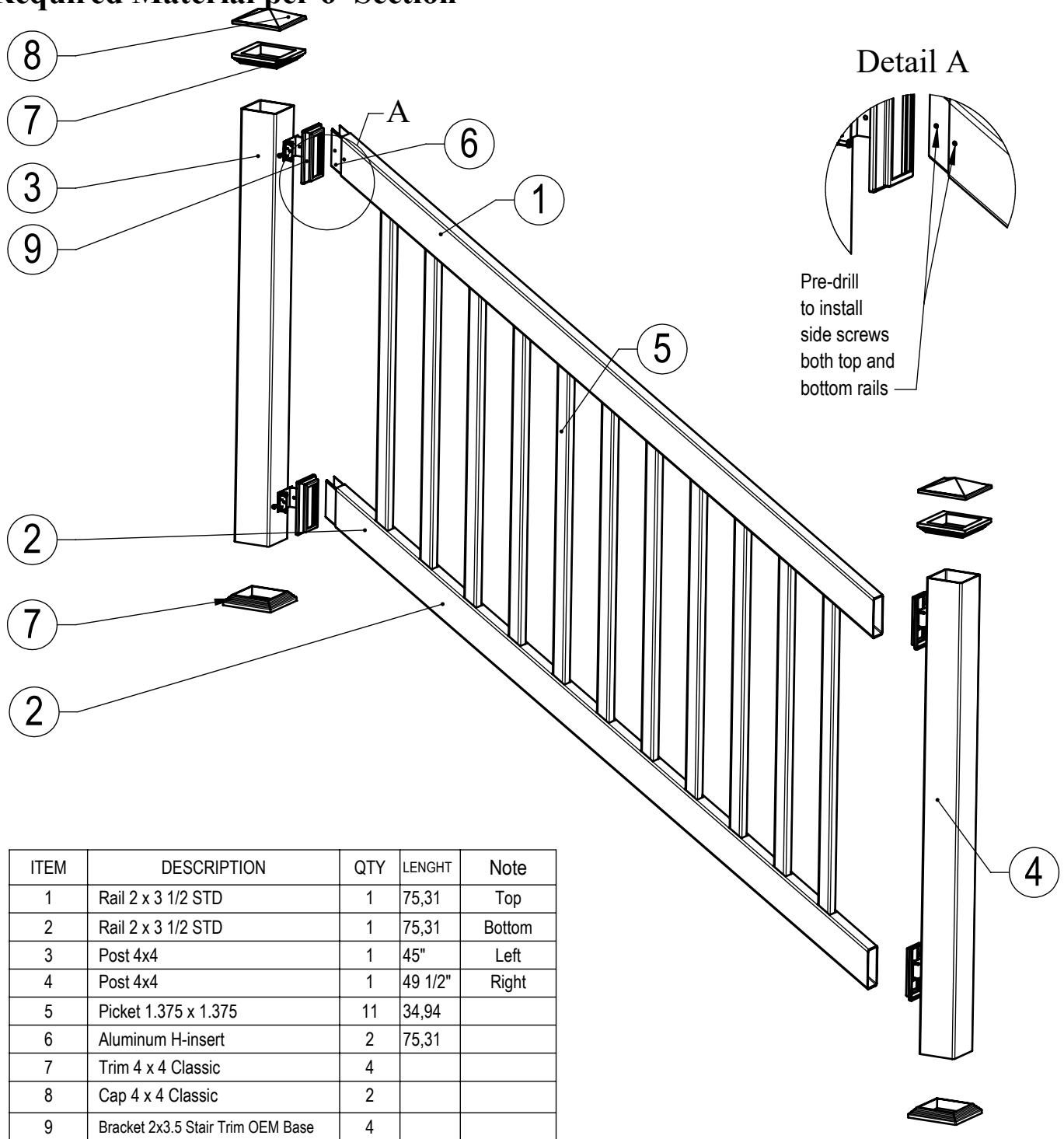


Routing Rail 2 x 3 1/2 STD



3 1/2' x 6' Standard Stair Rail (STD wall)

Required Material per 6' Section

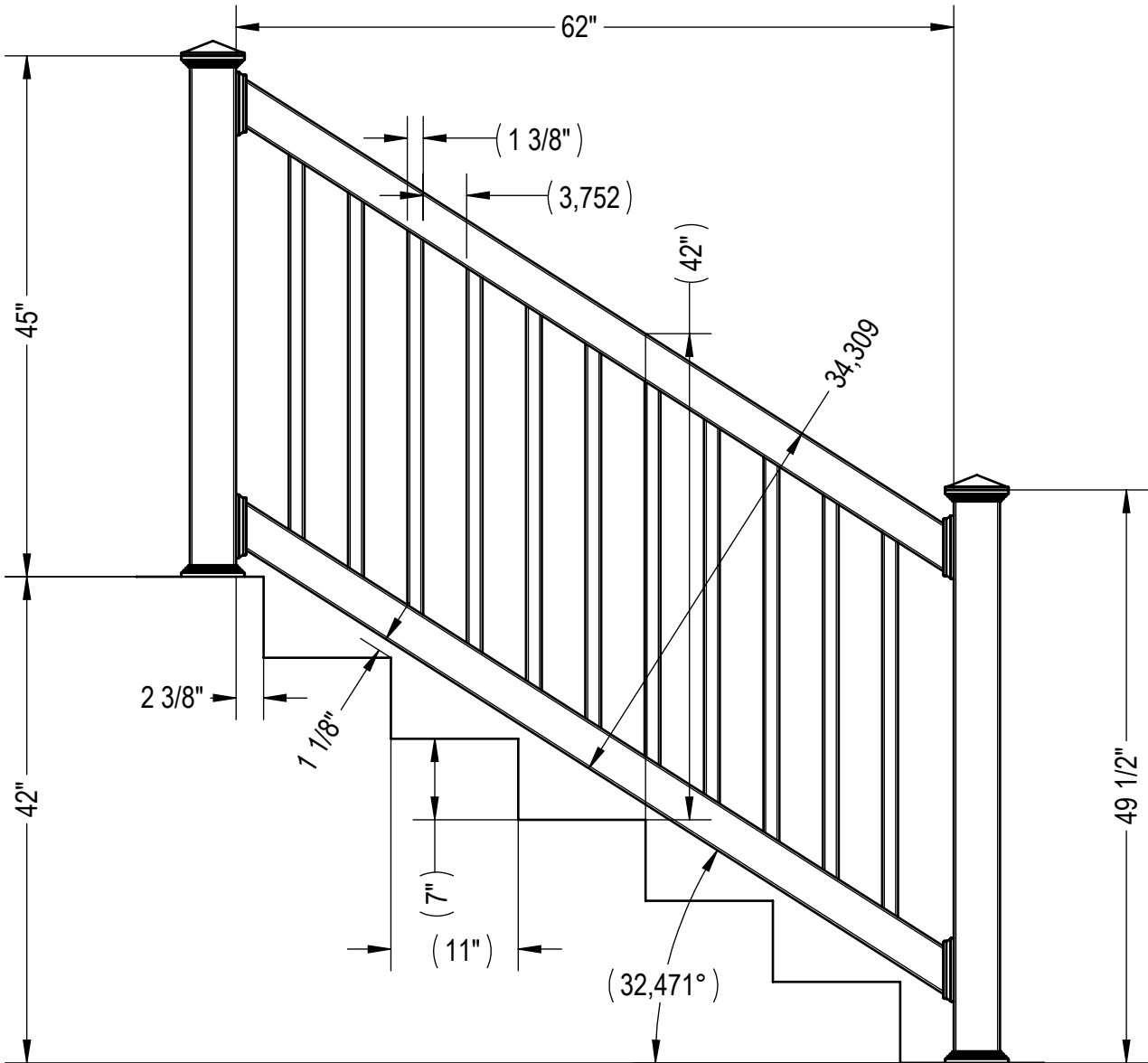


ITEM	DESCRIPTION	QTY	LENGHT	Note
1	Rail 2 x 3 1/2 STD	1	75,31	Top
2	Rail 2 x 3 1/2 STD	1	75,31	Bottom
3	Post 4x4	1	45"	Left
4	Post 4x4	1	49 1/2"	Right
5	Picket 1.375 x 1.375	11	34,94	
6	Aluminum H-insert	2	75,31	
7	Trim 4 x 4 Classic	4		
8	Cap 4 x 4 Classic	2		
9	Bracket 2x3.5 Stair Trim OEM Base	4		

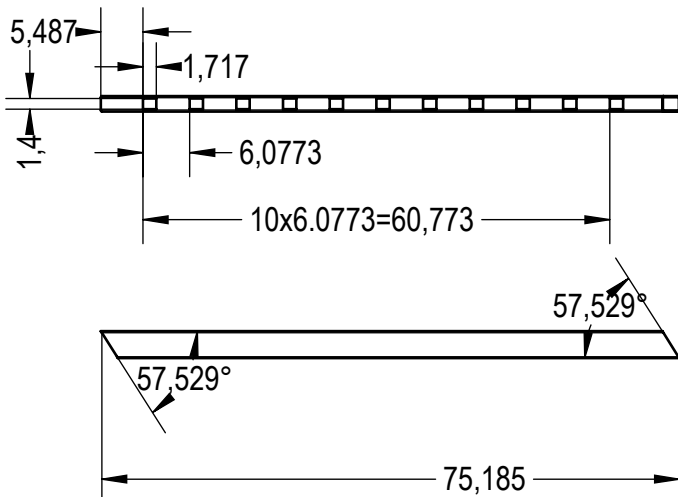
This Railing System has been tested in accordance with ICC-ES AC-174 (June 1, 2009) for compliance with 2006 International Building Code (IBC), 2006 International Residential Code (IRC).

3 1/2' x 6' Standard Stair Rail (STD wall)

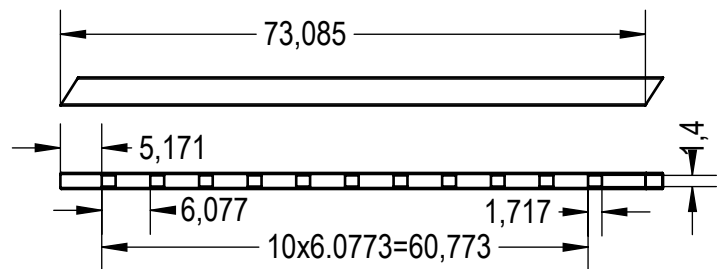
Required Material per 6' Section



Rail 2 x 3 1/2 STD Top



Rail 2 x 3 1/2 STD Bottom

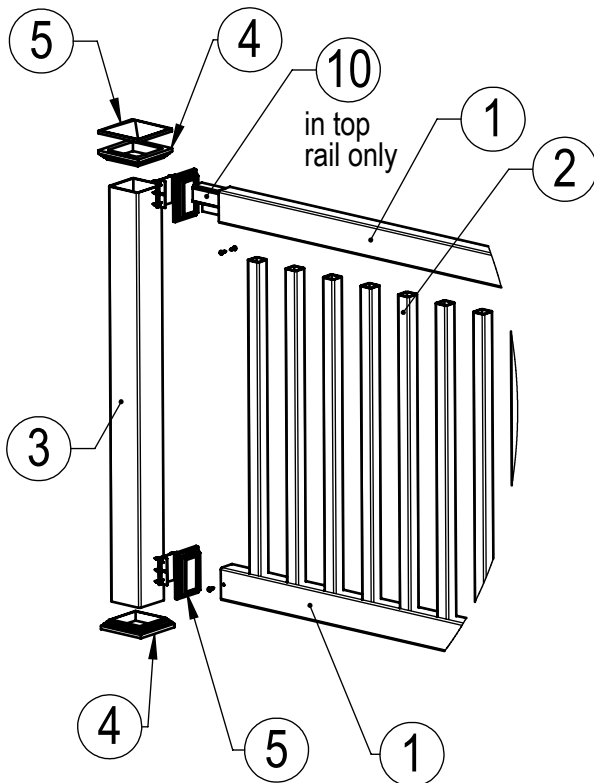
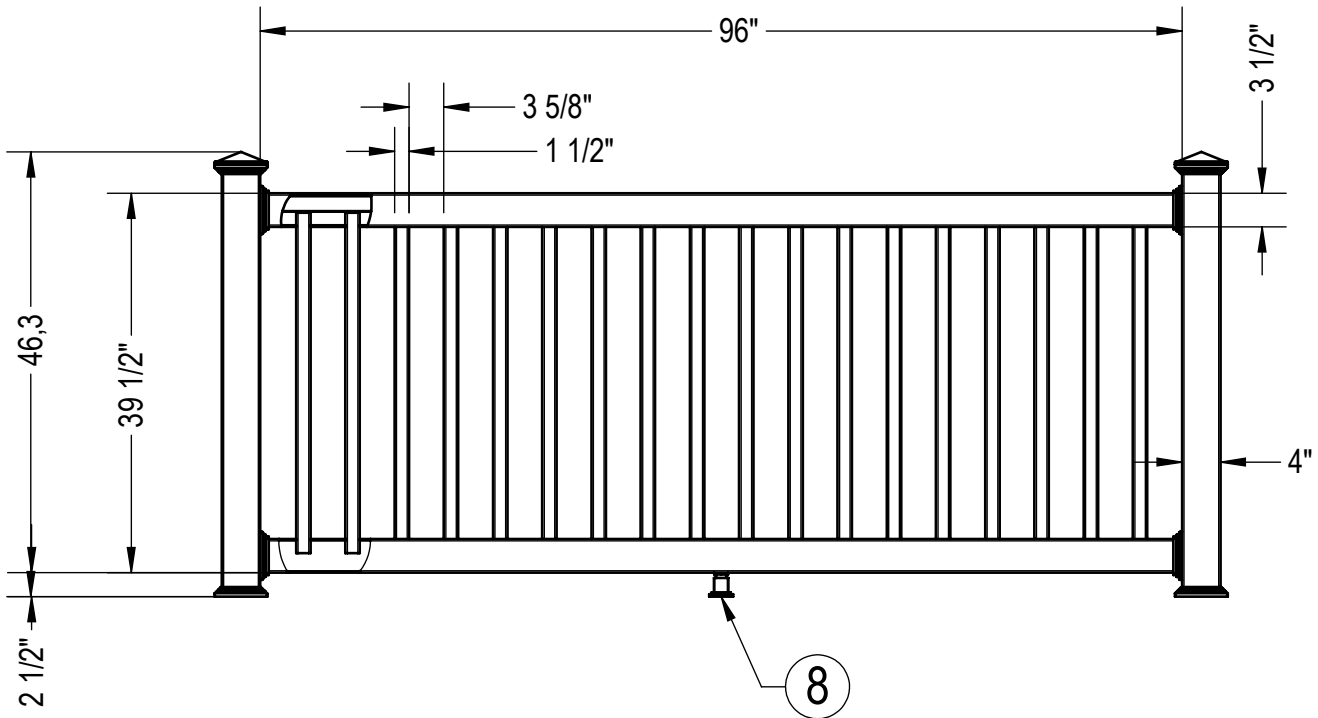


P310

Sheet 2 of 2
02-08-23

3 1/2' x 8' Standard Rail (RW)

Required Material per 8' Section



ITEM	DESCRIPTION	LENGTH	QTY	Note
1	Rail 2 x 3 1/2 RW	95 3/4"	2	
2	Picket 1.5 x 1.5	35.44	18	
3	Post 4x4	45"	2	
4	Trim 4 x 4 Classic		4	
5	Cap 4 x 4 Classic		2	
6	Bracket 2x3.5 Mod Base		2	
7	Bracket 2x3.5 Mod Base		2	
8	#10 x 3/4" Screw		6	
9	Ajustable Footblock		1	
10	P-insert for 2x3.5 rail	95 3/4"	1	

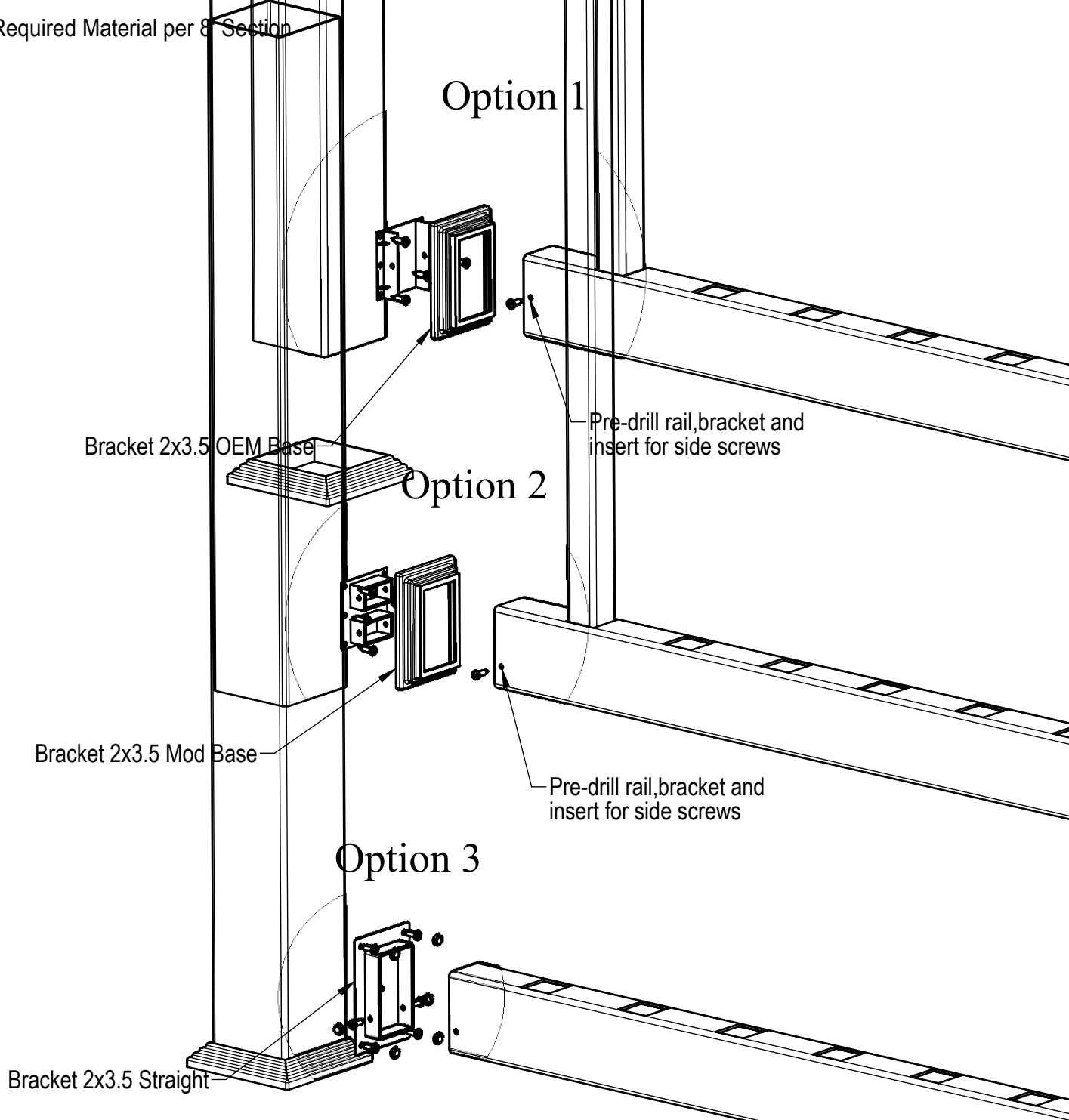
FOR OTHER CODE EVALUATED PICKETS PLEASE REFER TO THE PICKET MATRIX AT BEGINNING OF SECTION 14

See Sheet 2 !

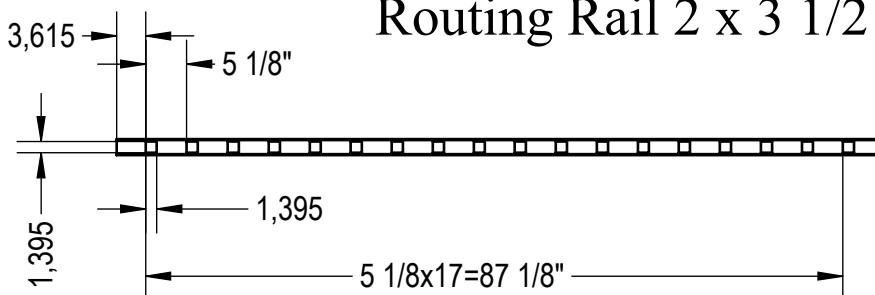
This Railing System has been tested in accordance with ICC-ES AC-174 (June 1, 2009) for compliance with 2006 International Building Code (IBC), 2006 International Residential Code (IRC).

3 1/2' x 8' Standard Rail (RW)

Required Material per 8' Section



Routing Rail 2 x 3 1/2 RW

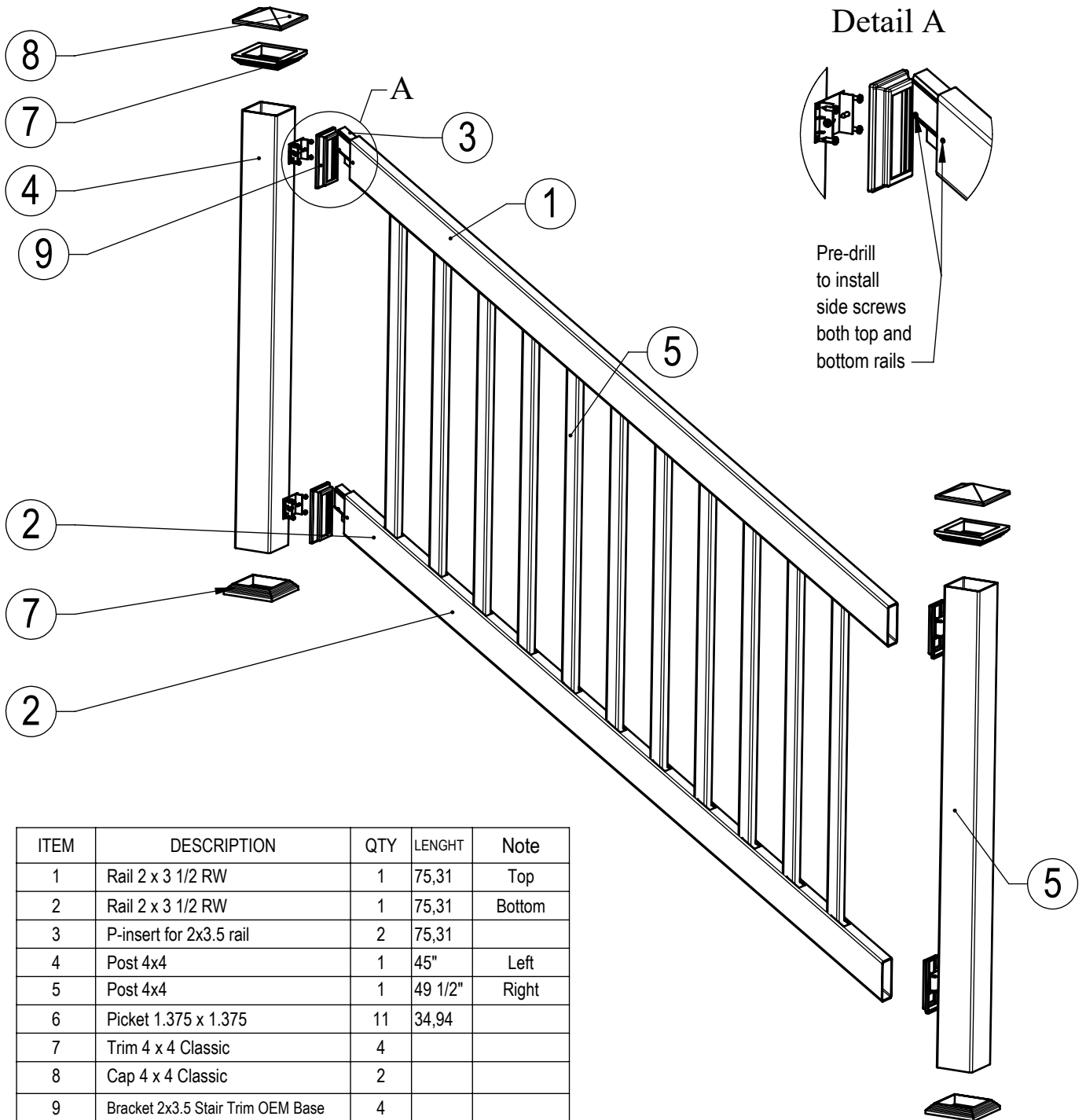


P311

Sheet 2 of 2
02-16-23

3 1/2' x 6' Standard Stair Rail RW

Required Material per 6' Section

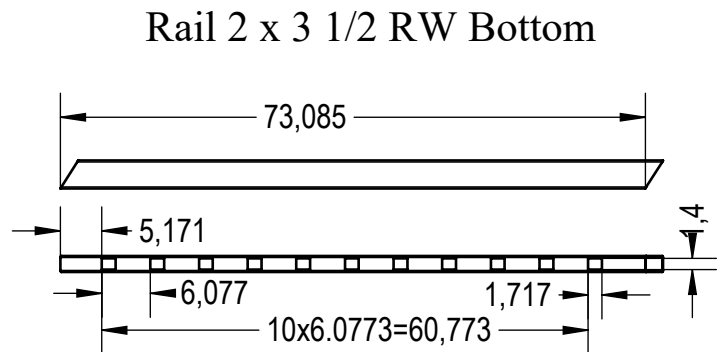
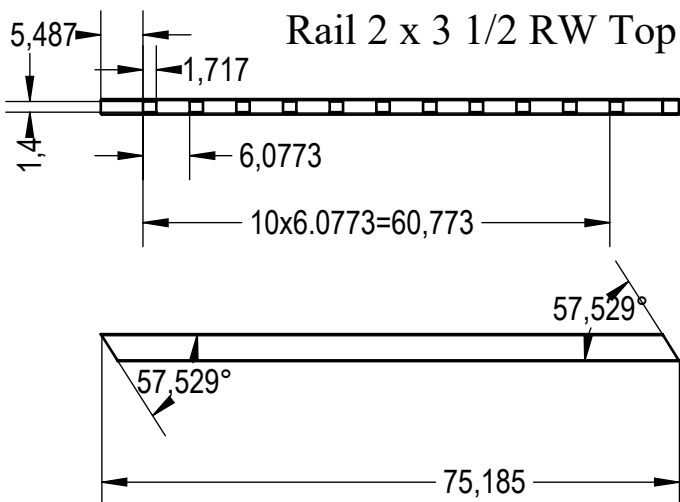
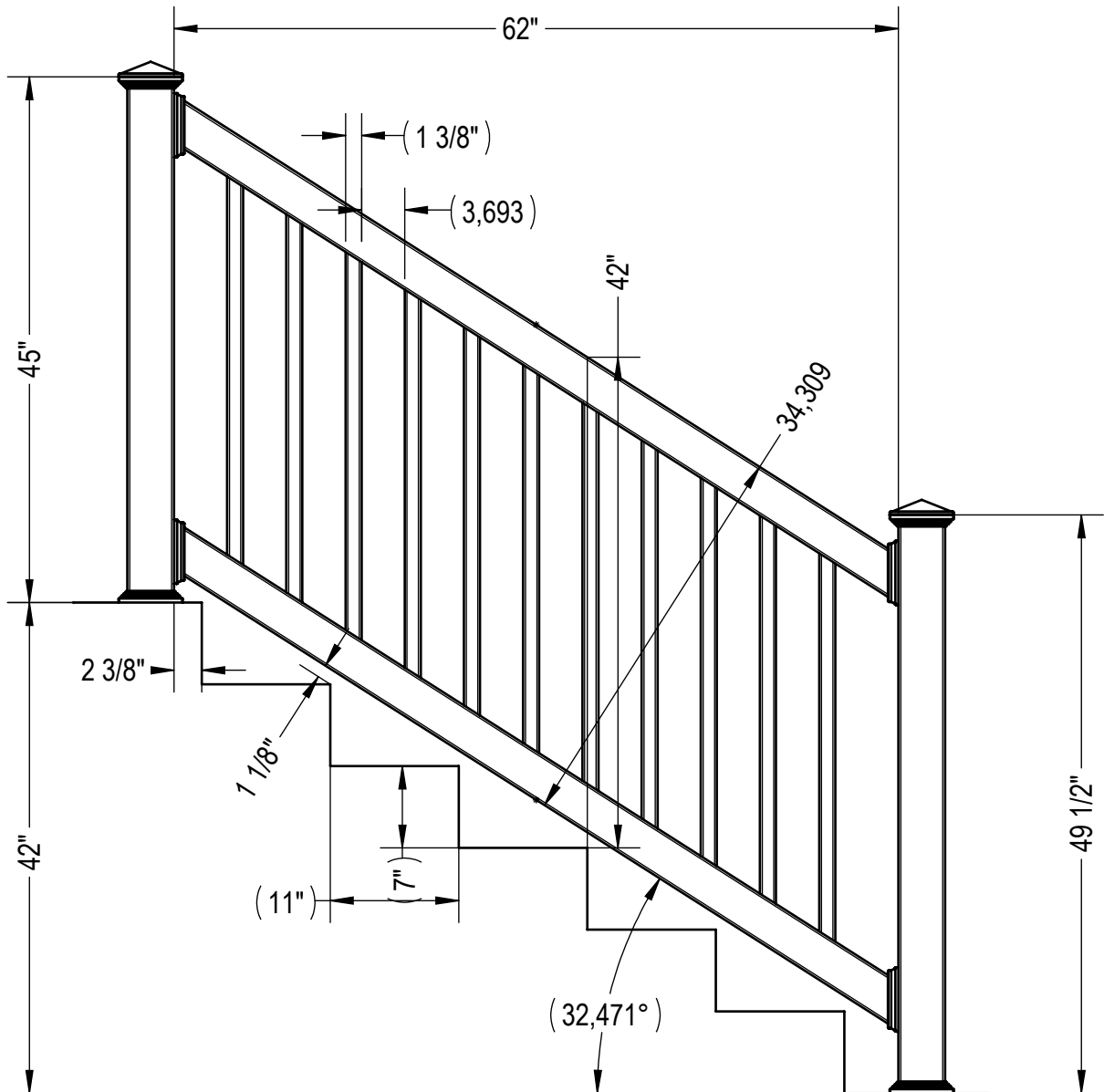


ITEM	DESCRIPTION	QTY	LENGHT	Note
1	Rail 2 x 3 1/2 RW	1	75,31	Top
2	Rail 2 x 3 1/2 RW	1	75,31	Bottom
3	P-insert for 2x3.5 rail	2	75,31	
4	Post 4x4	1	45"	Left
5	Post 4x4	1	49 1/2"	Right
6	Picket 1.375 x 1.375	11	34,94	
7	Trim 4 x 4 Classic	4		
8	Cap 4 x 4 Classic	2		
9	Bracket 2x3.5 Stair Trim OEM Base	4		

This Railing System has been tested in accordance with ICC-ES AC-174 (June 1, 2009) for compliance with 2006 International Building Code (IBC), 2006 International Residential Code (IRC).

3 1/2' x 6' Standard Stair Rail RW

Required Material per 6' Section



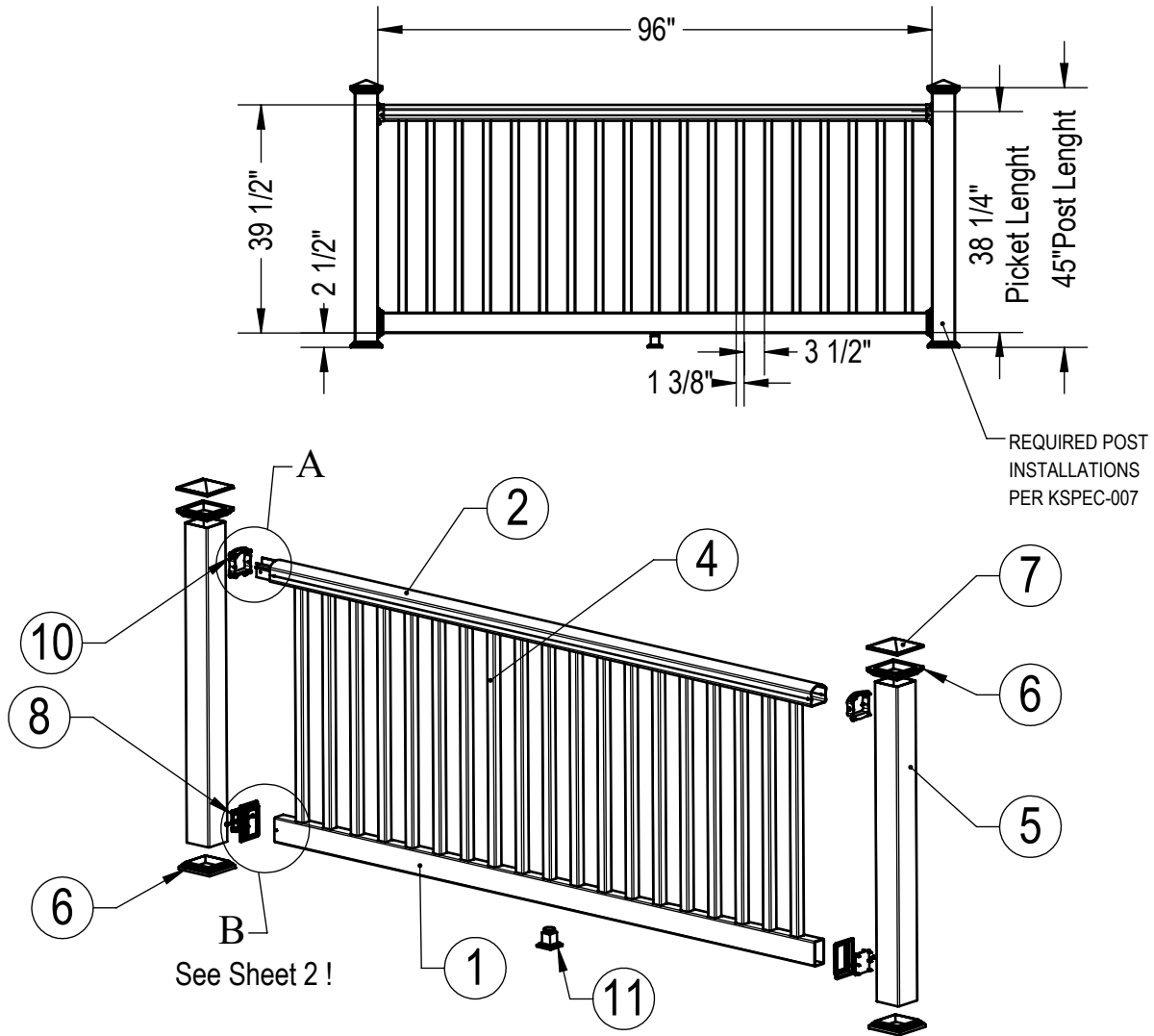
P313

Sheet 2 of 2
02-16-23

3 1/2' x 8' Contour Rail

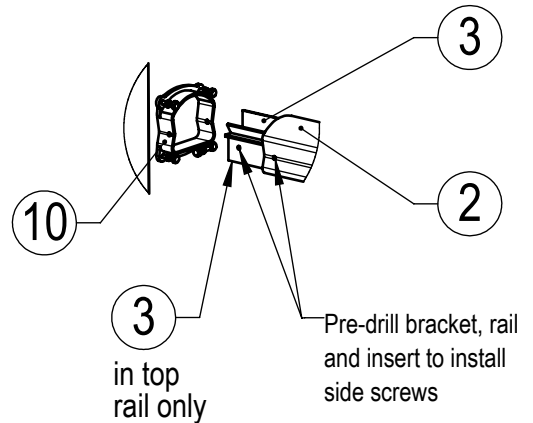


Required Material per 8' Section



ITEM	DESCRIPTION	LENGHT	QTY	Note
1	Rail 2 x 3 1/2 STD	95 3/4"	1	
2	Contour Rail 2.75x3.15	96"	1	
3	Insert 2.75x 3.25 Aluminum	96"	1	
4	Picket 1.5 x 1.5	38 1/4"	19	
5	Post 4x4	45"	2	
6	Trim 4 x 4 Classic		4	
7	Cap 4 x 4 Classic		2	
8	Bracket 2x3.5 OEM		2	Option 1
9	Bracket 2x3.5 Mod Base		2	Option 2
10	Bracket 2.75x3.75 Contour		2	
11	Ajutable Footblock		1	

Detail A



For other code evaluated pickets please refer to the picket matrix at beginning of section 14.

This Railing System has been tested in accordance with ICC-ES AC-174 (June 1, 2009) for compliance with 2006 International Building Code (IBC), 2006 International Residential Code (IRC).

P314

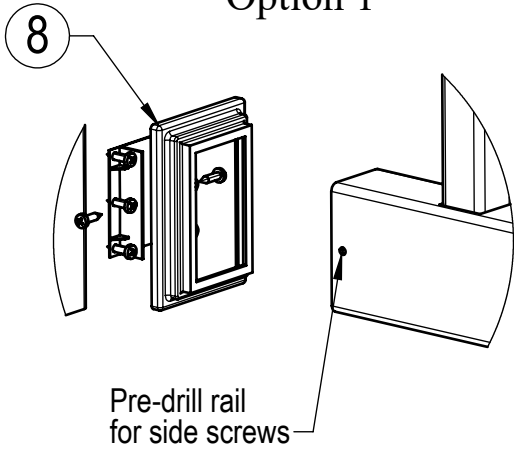
Sheet 1 of 2
02-10-23

3 1/2' x 8' Contour Rail

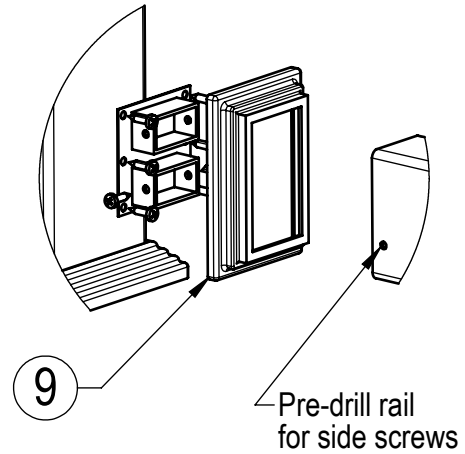
Required Material per 8' Section

Detail B

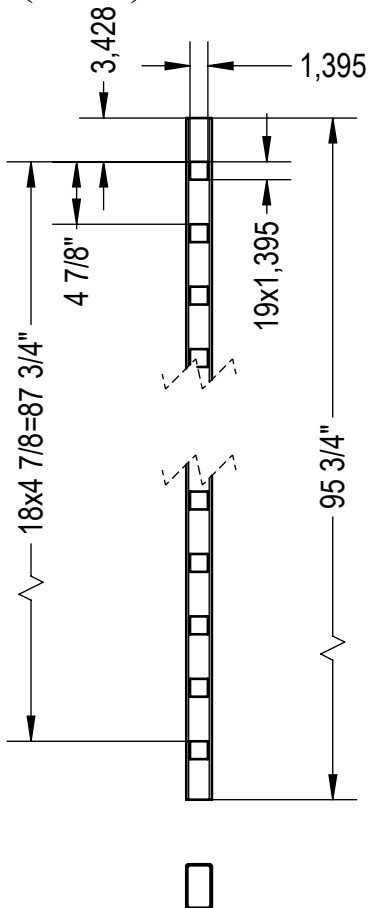
Option 1



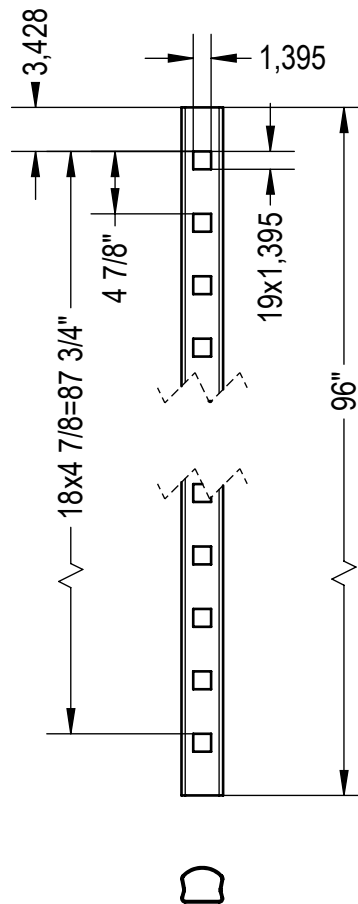
Option 2



Routing rail 2x3.5
(item 1)



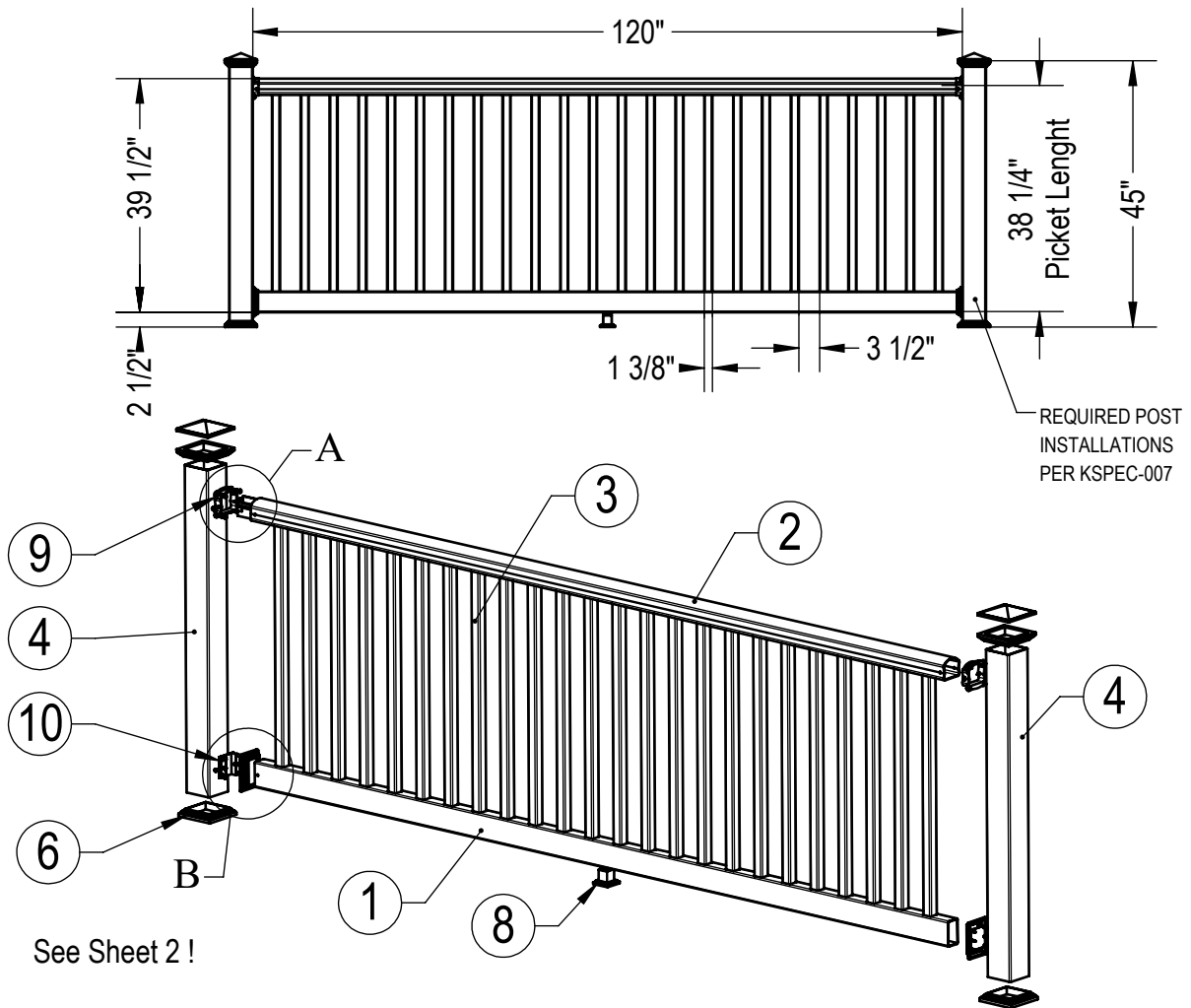
Routing contour rail 2.75x3.25
(item 2)



P314

3' x 10' Contour Rail

Required Material per 10' Section

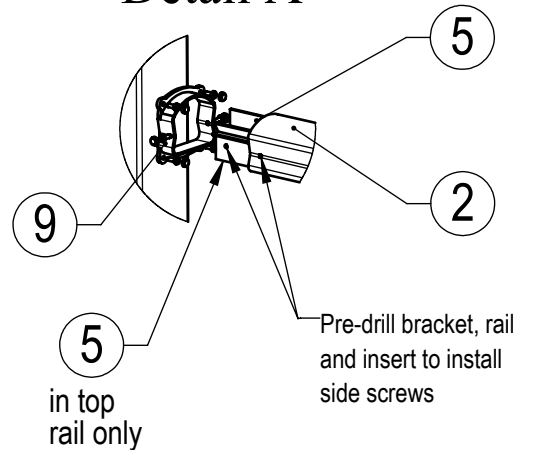


ITEM	DESCRIPTION	LENGHT	QTY	Note
1	Rail 2 x 3.5 STD	120"	1	
2	Contour Rail 2.75x3.75	120"	1	
3	Picket 1.5 x 1.5	38 1/4"	24	
4	Post 4x4	45"	2	
5	Insert 2.75x 3.25 Aluminum	120"	1	
6	Trim 4 x 4 Classic		4	
7	Cap 4 x 4 Classic		2	
8	Ajuctable Footblock		1	
9	Bracket 2.75x3.75 Contour		2	
10	Bracket 2x3.5 OEM		2	Option 1
	Bracket 2x3.5 Mod Base		2	Option 2

For other code evaluated pickets please refer to the picket matrix at beginning of section 14.

This Railing System has been tested in accordance with ICC-ES AC-174 (June 1, 2009) for compliance with 2006 International Building Code (IBC), 2006 International Residential Code (IRC).

Detail A



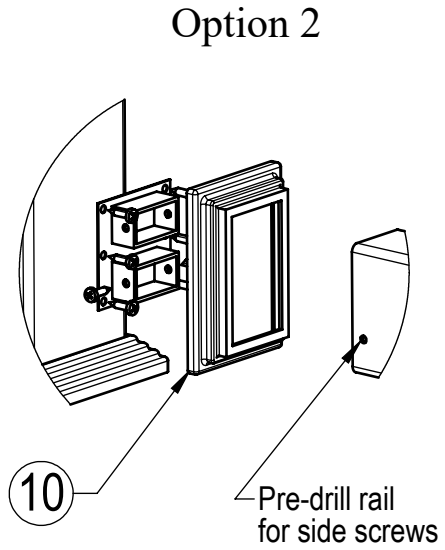
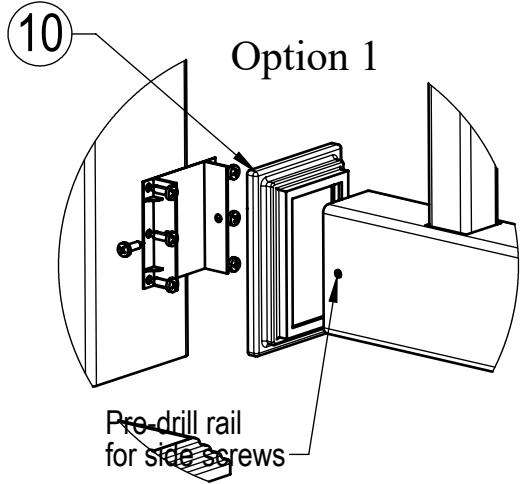
P315

Sheet 1 of 2
02-10-23

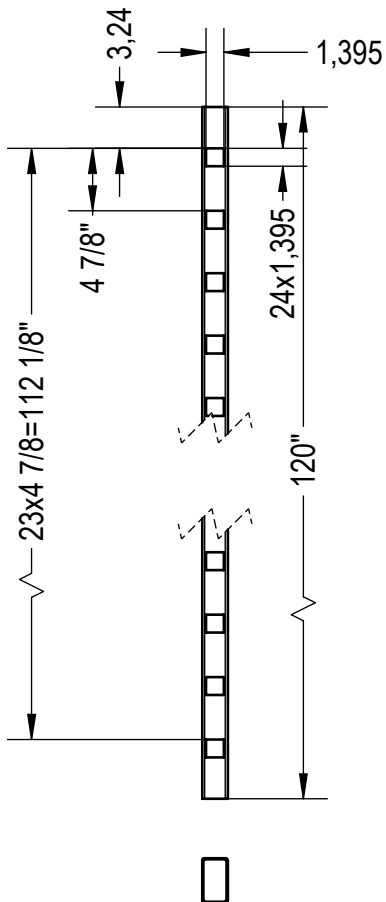
3' x 10' Contour Rail

Required Material per 10' Section

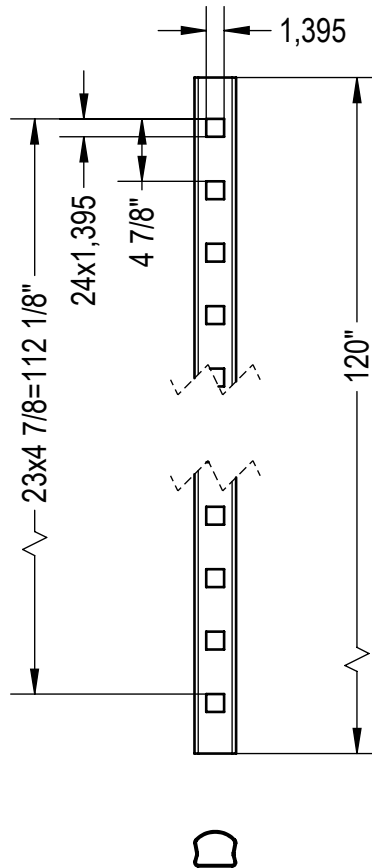
Detail B



Routing rail 2x3.5
(item 1)



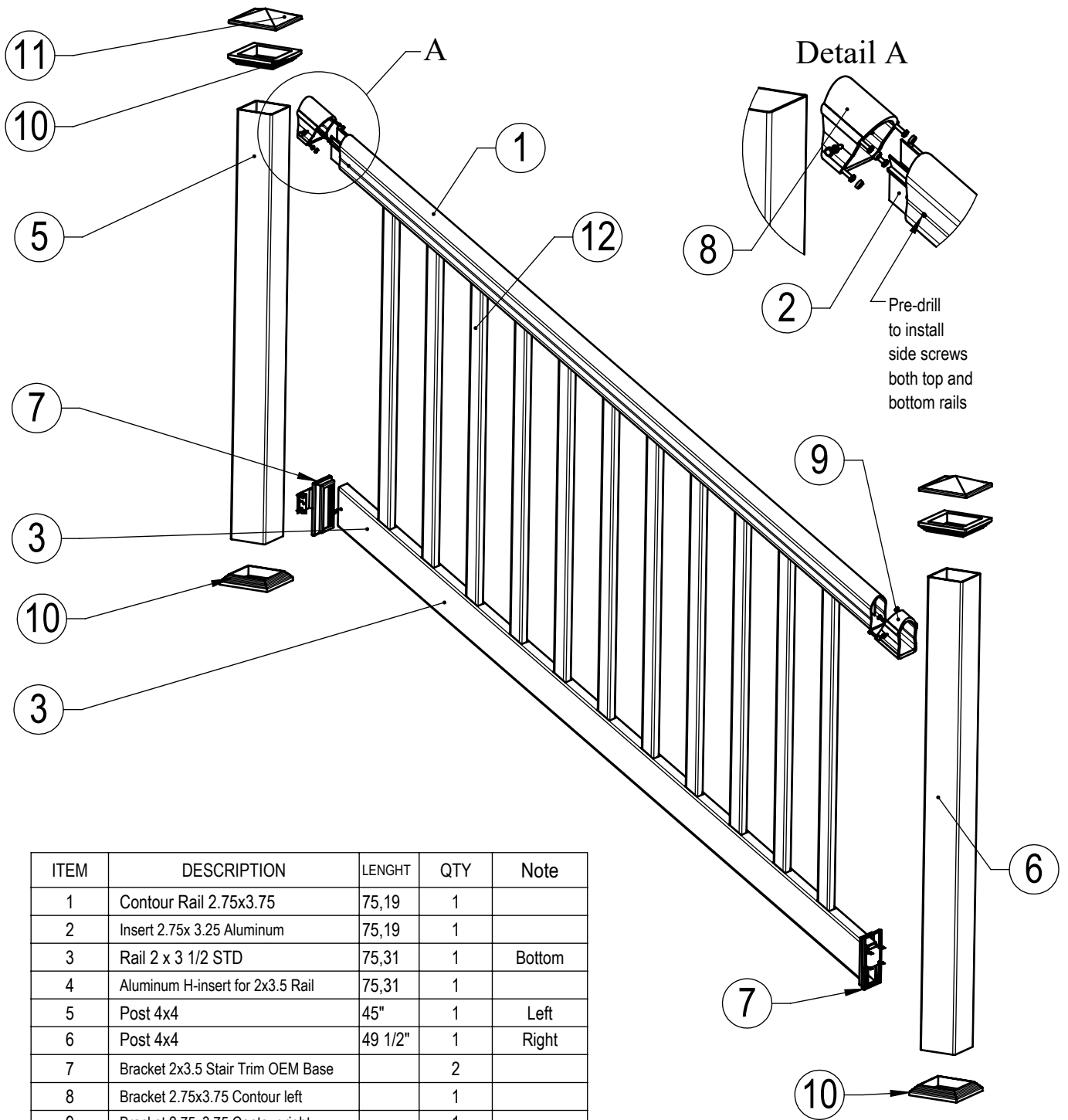
Routing contour rail 2.75x3.25
(item 2)



3 1/2' x 6' Contour Stair Rail



Required Material per 6' Section



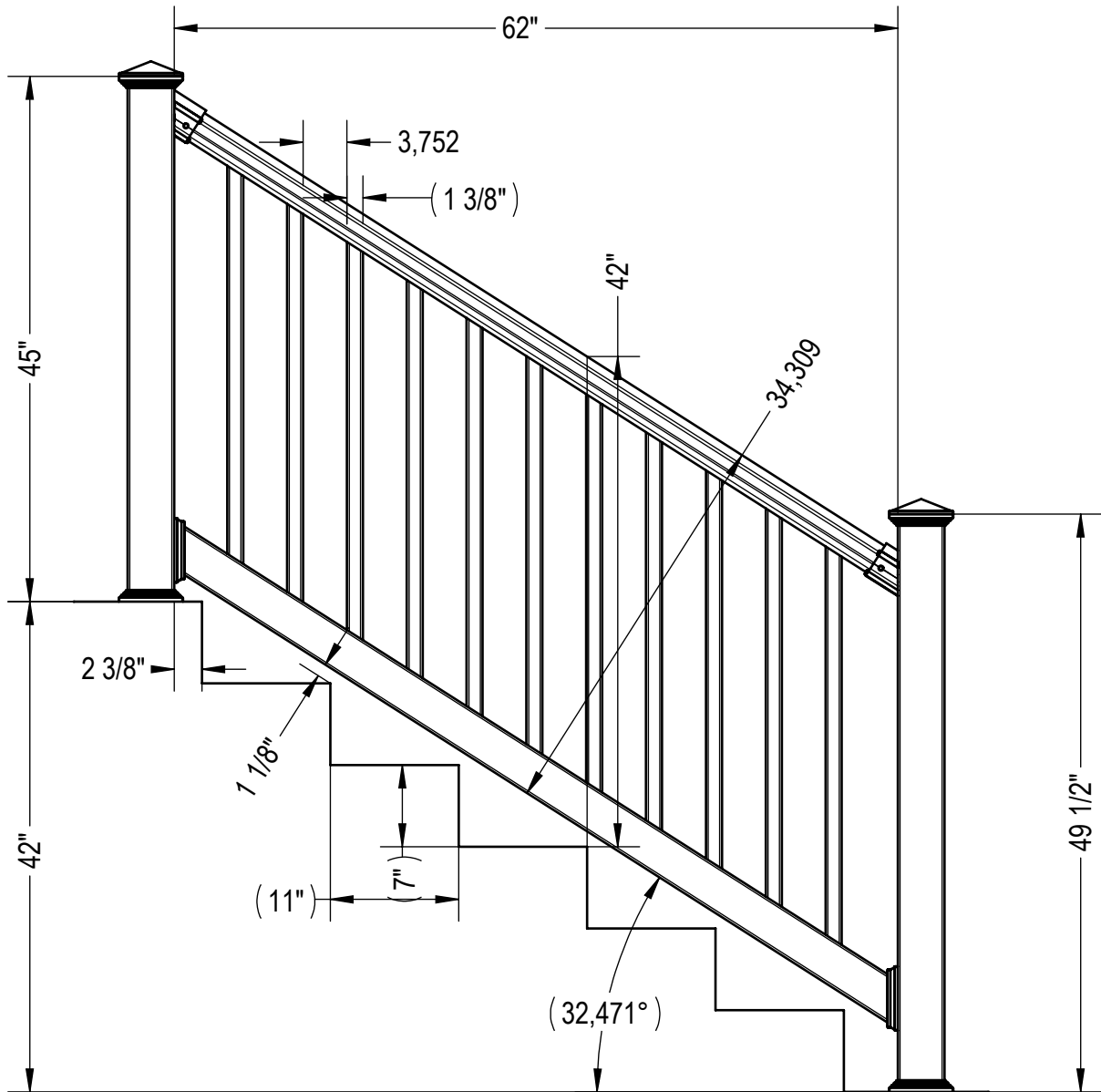
ITEM	DESCRIPTION	LENGHT	QTY	Note
1	Contour Rail 2.75x3.75	75,19	1	
2	Insert 2.75x 3.25 Aluminum	75,19	1	
3	Rail 2 x 3 1/2 STD	75,31	1	Bottom
4	Aluminum H-insert for 2x3.5 Rail	75,31	1	
5	Post 4x4	45"	1	Left
6	Post 4x4	49 1/2"	1	Right
7	Bracket 2x3.5 Stair Trim OEM Base		2	
8	Bracket 2.75x3.75 Contour left		1	
9	Bracket 2.75x3.75 Contour right		1	
10	Trim 4 x 4 Classic		4	
11	Cap 4 x 4 Classic		2	
12	Picket 1.5 x 1.5	36 1/2"	11	

This Railing System has been tested in accordance with ICC-ES AC-174 (June 1, 2009) for compliance with 2006 International Building Code (IBC), 2006 International Residential Code (IRC).

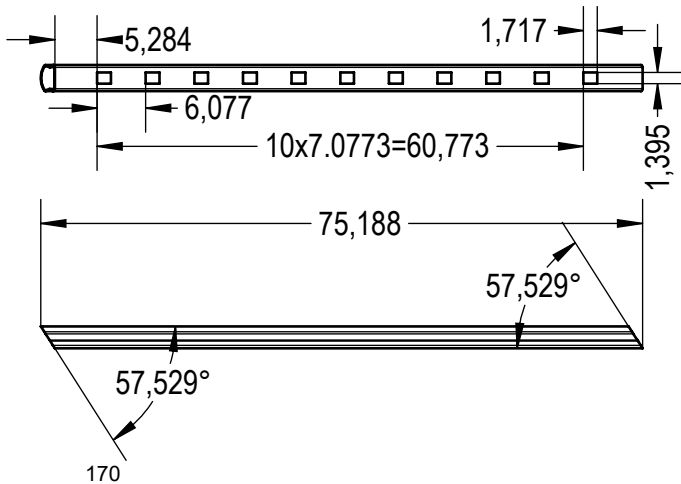
3 1/2' x 6' Contour Stair Rail



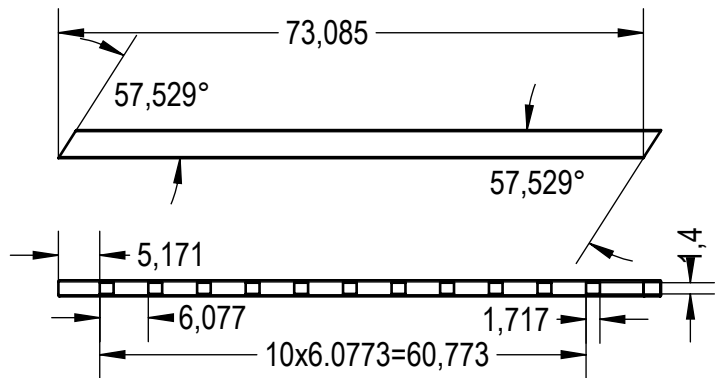
Required Material per 6' Section



Contour Rail 2.75x3.75



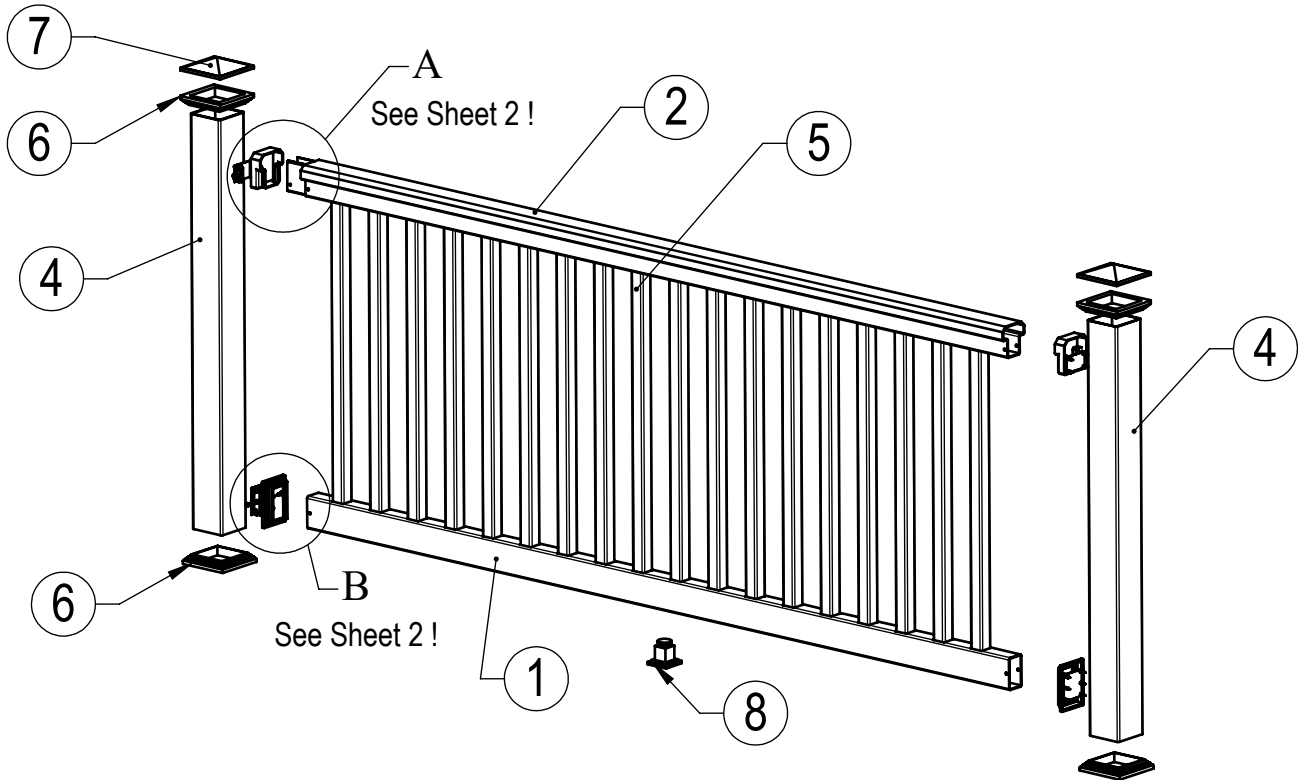
Rail 2 x 3 1/2 STD Bottom



P316

3 1/2' x 8' T-Rail

Required Material per 8' Section



ITEM	DESCRIPTION	LENGHT	QTY	Note
1	Rail 2 x 3 1/2 STD	95 3/4"	1	Bottom
2	T-Rail 3.5x3.5	95 3/4"	1	Top
3	Aluminum H-insert	95 3/4"	1	
4	Post 4x4	45"	2	
5	Picket 1.5 x 1.5	37,31	18	
6	Trim 4 x 4 Classic		4	
7	Cap 4 x 4 Classic		2	
8	Ajuctable Footblock		1	
9	Bracket OEM 3.5x3.5 T-Rail Trim		2	Option 1,2
10	Bracket 2x3.5 OEM		2	Option 1
11	Bracket 2x3.5 Mod Base		2	Option 2
12	Bracket 3.5x3.5 Straight T-rail		2	Option3
13	Bracket 2 x 3.5 Straight		2	Option3

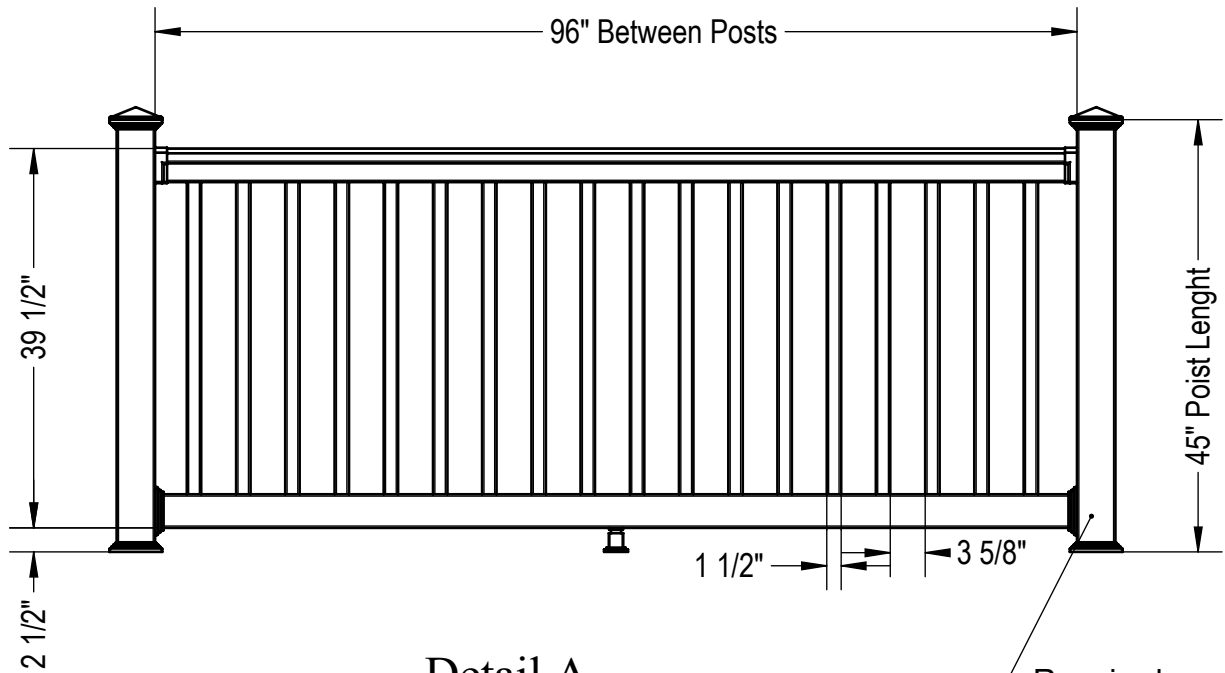
This Railing System has been tested in accordance with ICC-ES AC-174 (June 1, 2009) for compliance with 2006 International Building Code (IBC), 2006 International Residential Code (IRC).

P317

Sheet 1 of 3
02-17-23

3 1/2' x 8' T-Rail

Required Material per 8' Section

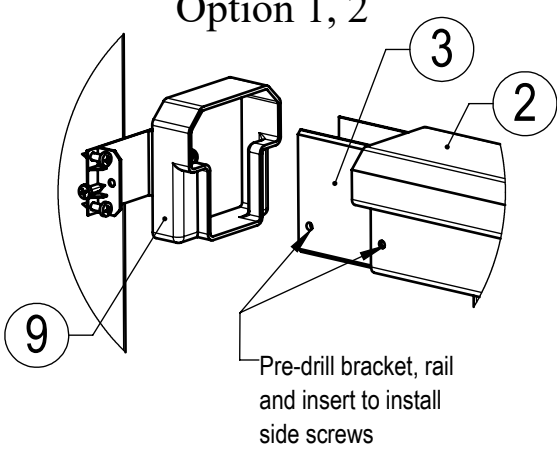


Detail A

Required post installations per KSPEC-007

Option 3

Option 1, 2



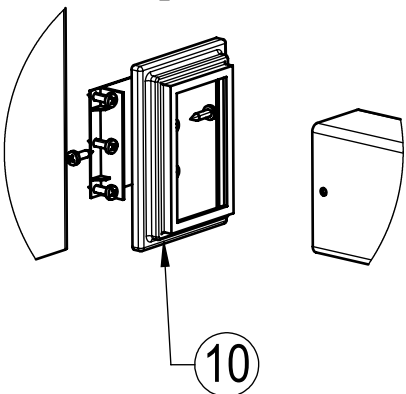
Pre-drill bracket, rail and insert to install side screws

Detail B

Option 2

Option 3

Option 1



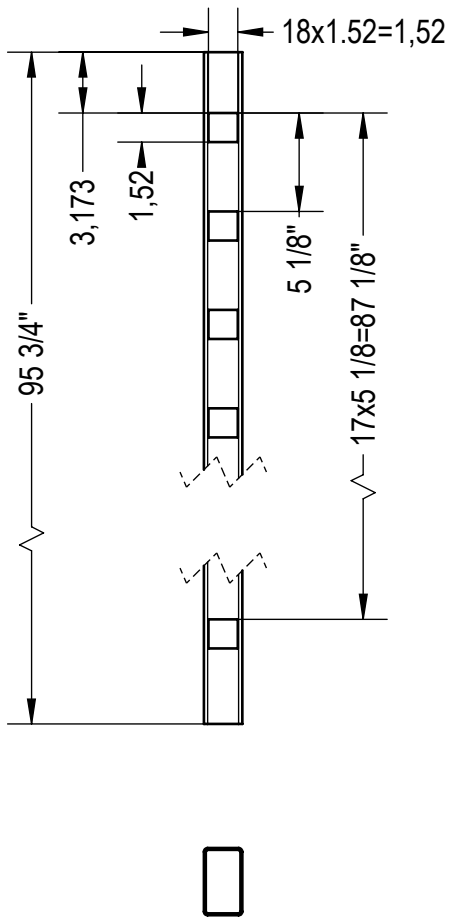
P317

Sheet 2 of 3
02-17-23

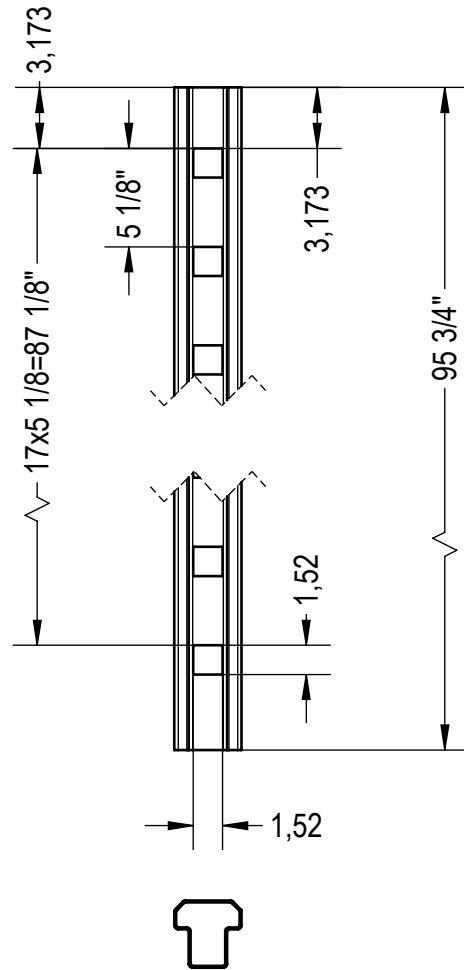
3 1/2' x 8' T-Rail

Required Material per 8' Section

Routing Bottom Rail 2x3.5 (item 1)

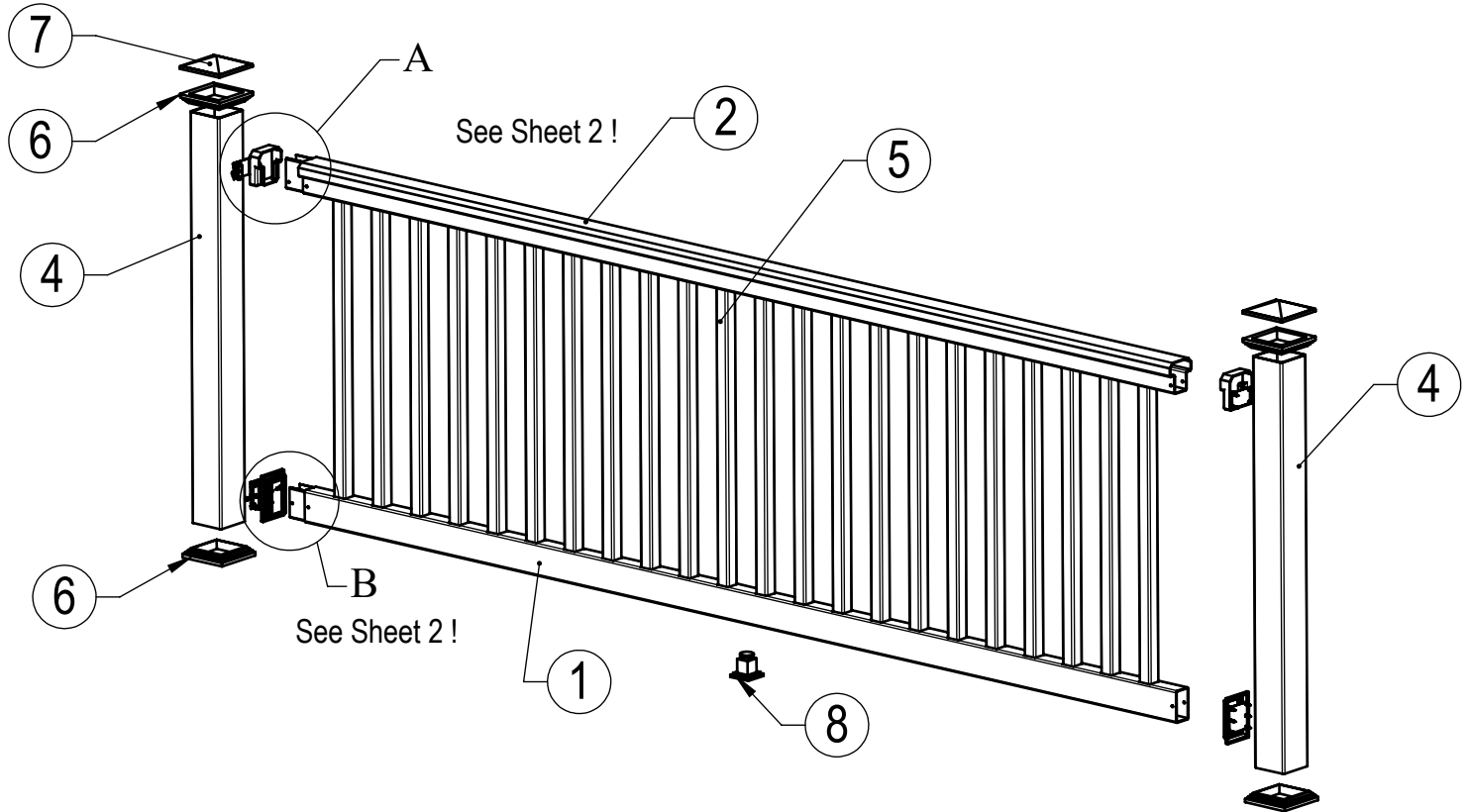


Routing T-Rail 3.5x3.5 (item 2)



3 1/2' x 10' T-Rail

Required Material per 10' Section



ITEM	DESCRIPTION	LENGHT	QTY	Note
1	Rail 2 x 3 1/2 STD	120"	1	Bottom
2	T-Rail 3.5x3.5	120"	1	Top
3	Aluminum H-insert	119 3/4"	2	
4	Post 4x4	45"	2	
5	Picket 1.5 x 1.5	35,44	22	
6	Trim 4 x 4 Classic		4	
7	Cap 4 x 4 Classic		2	
8	Ajuctable Footblock		1	
9	Bracket OEM 3.5x3.5 T-Rail Trim		2	Option 1,2
10	Bracket 2x3.5 OEM		2	Option 1
11	Bracket 2x3.5 Mod Base		2	Option 2
12	Bracket 3.5x3.5 Straight T-rail		2	Option3
13	Bracket 2 x 3.5 Straight		2	Option3

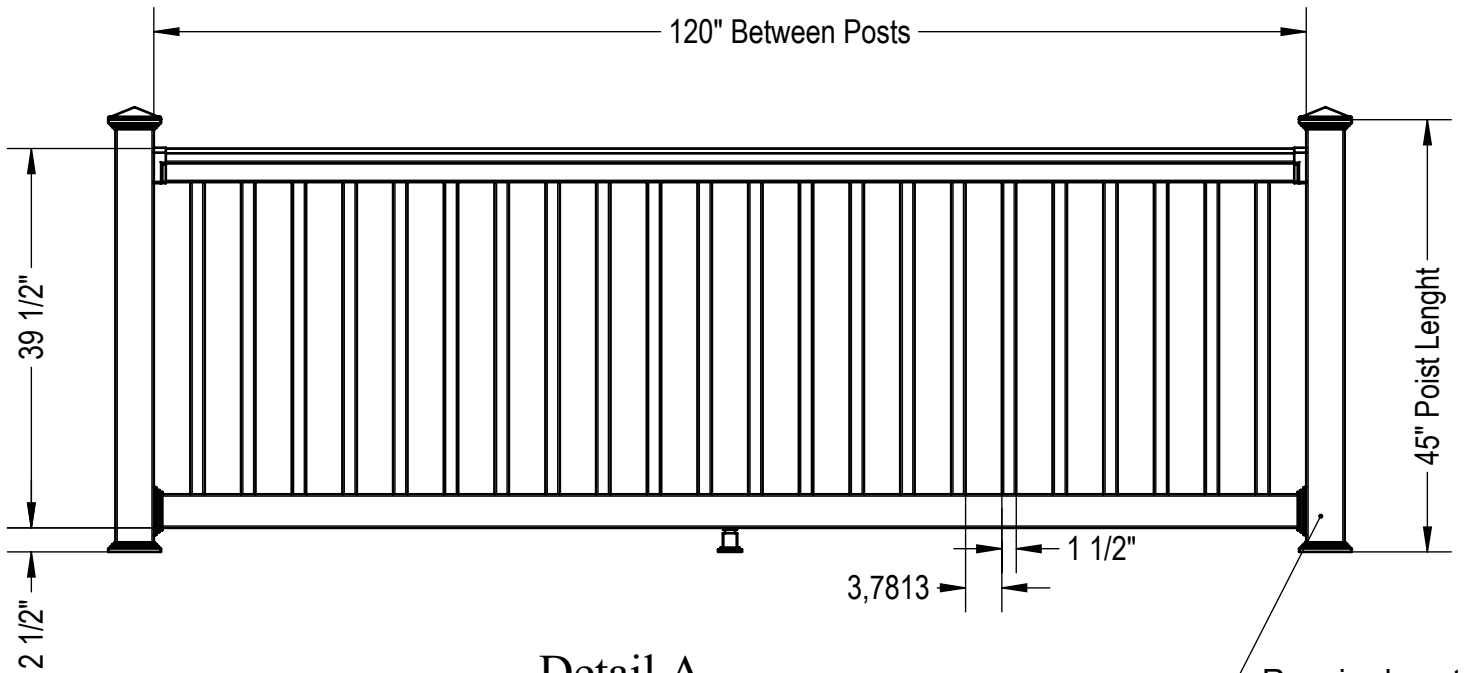
This Railing System has been tested in accordance with ICC-ES AC-174 (June 1, 2009) for compliance with 2006 International Building Code (IBC), 2006 International Residential Code (IRC).

P318

Sheet 1 of 3
02-20-23

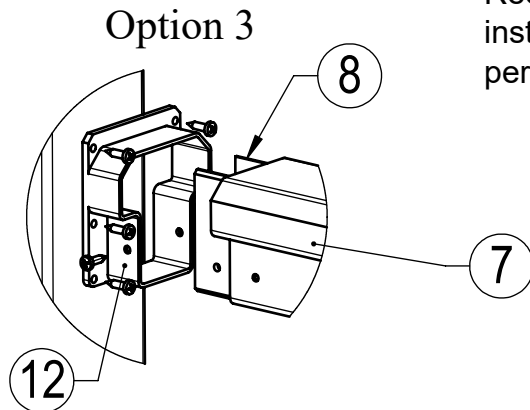
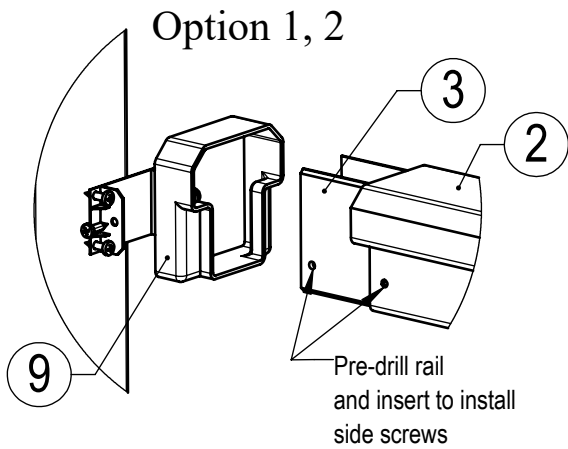
3 1/2' x 10' T-Rail

Required Material per 10' Section

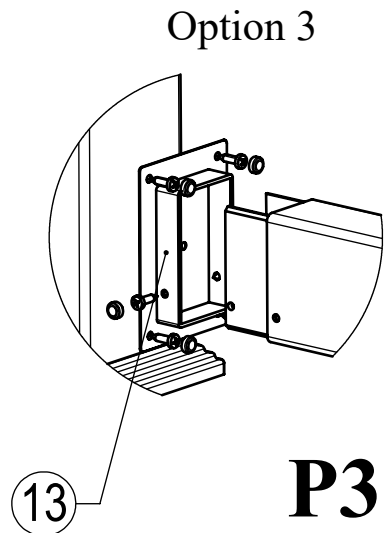
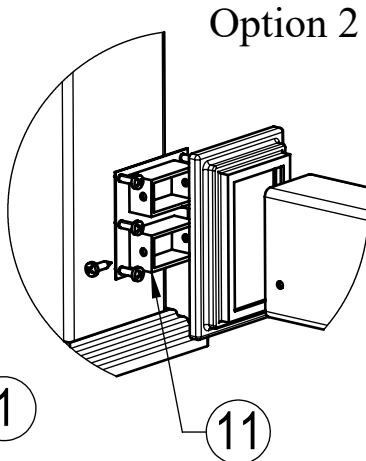
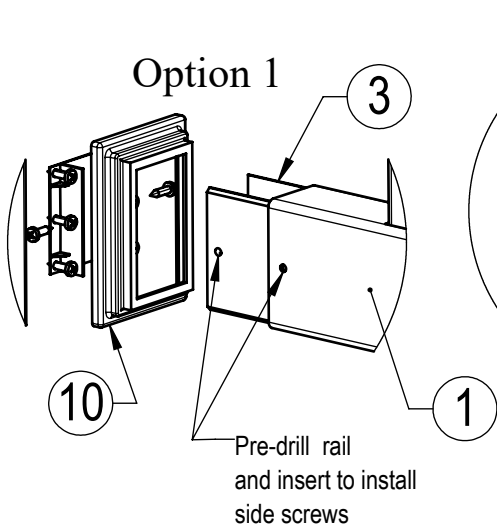


Detail A

Required post installations per KSPEC-007



Detail B



P318

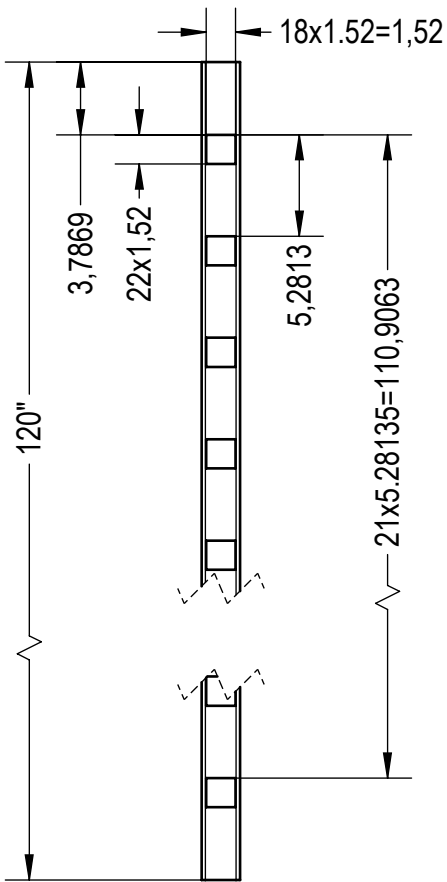
Sheet 2 of 3
02-20-23

3 1/2' x 10' T-Rail

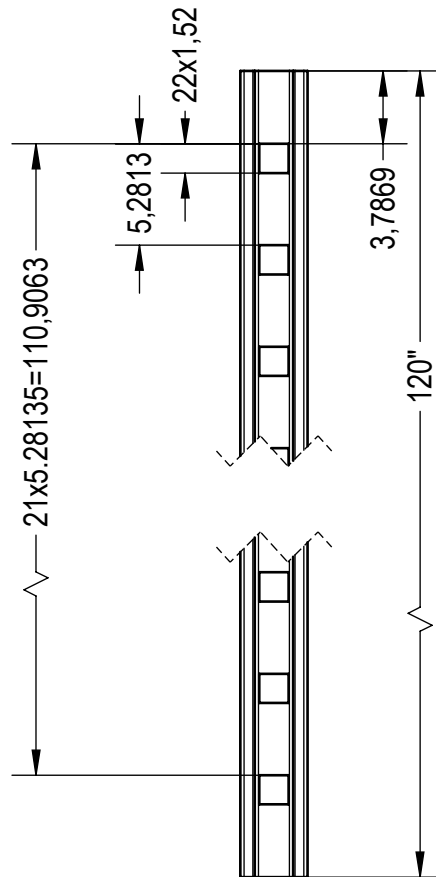


Required Material per 10' Section

Routing Bottom Rail 2x3.5 (item 1)



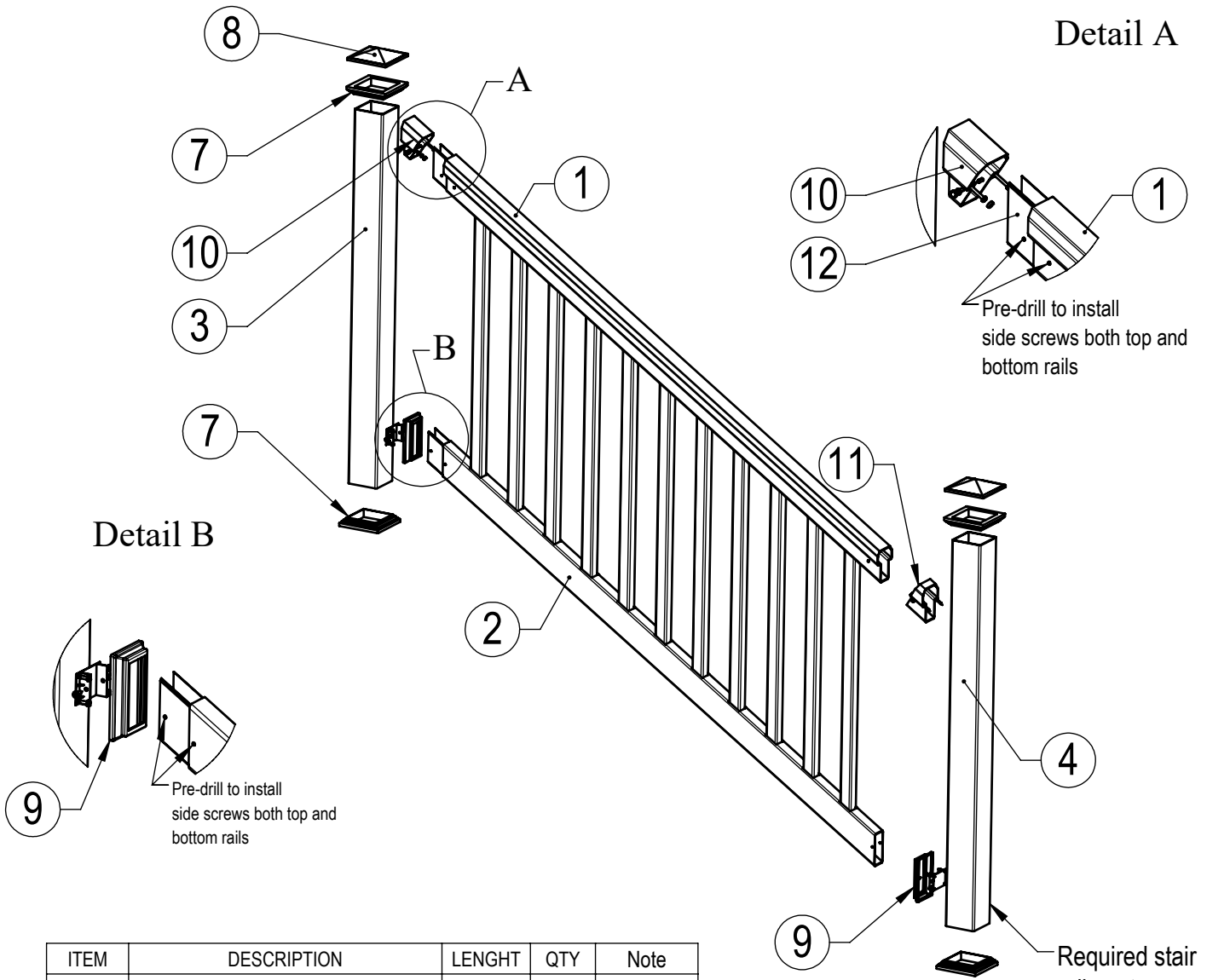
Routing T-Rail 3.5x3.5 (item2)



3 1/2' x 6' T-Rail Stair Rail



Required Material per 6' Section



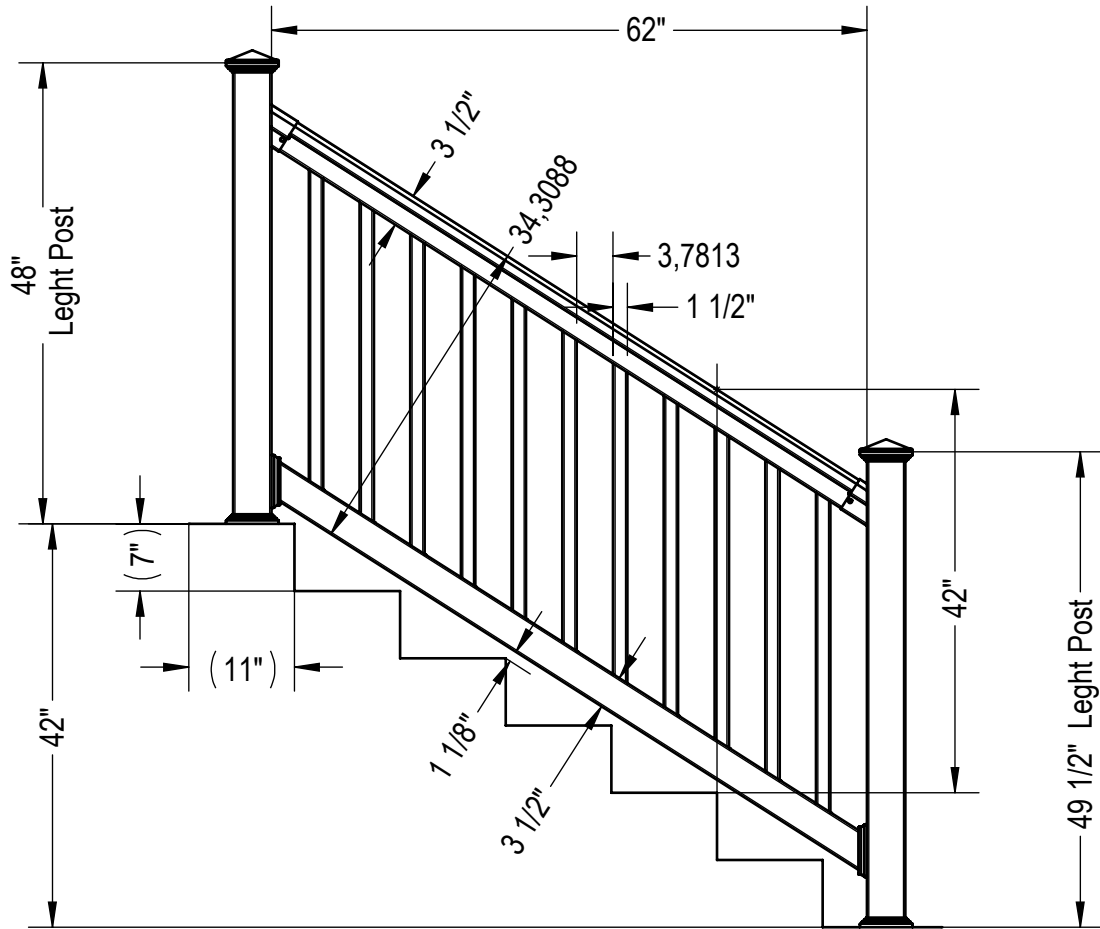
ITEM	DESCRIPTION	LENGTH	QTY	Note
1	T-Rail 3.5x3.5	75,69	1	
2	Rail 2 x 3.5	92,97	1	
3	Post 4x4	48"	1	
4	Post 4x4	49 1/2"	1	
5	Picket 1.5 x 1.5	34,94	11	
6	Aluminum H-insert	75,31	1	
7	Trim 4 x 4 Classic		4	
8	Cap 4 x 4 Classic		2	
9	Bracket 2x3.5 Stair Trim OEM Base		2	Option 1
	Bracket 2 x 3 1/2 Stair - LMT		2	Option 2
10	Bracket 3.5x3.5 T-Rail Stair Left		1	Option 1
	Bracket 3.5x3.5 Upper Stair Brkt - LMT Left		1	Option 2
11	Bracket 3.5x3.5 T-Rail Stair Right		1	Option 1
	Bracket 3.5x3.5 Upper Stair Brkt - LMT Right		1	Option 2
12	Aluminum H-insert for 2 x 3.5 Rail	75,69	1	

Required stair rail posts installation per KSPEC-007

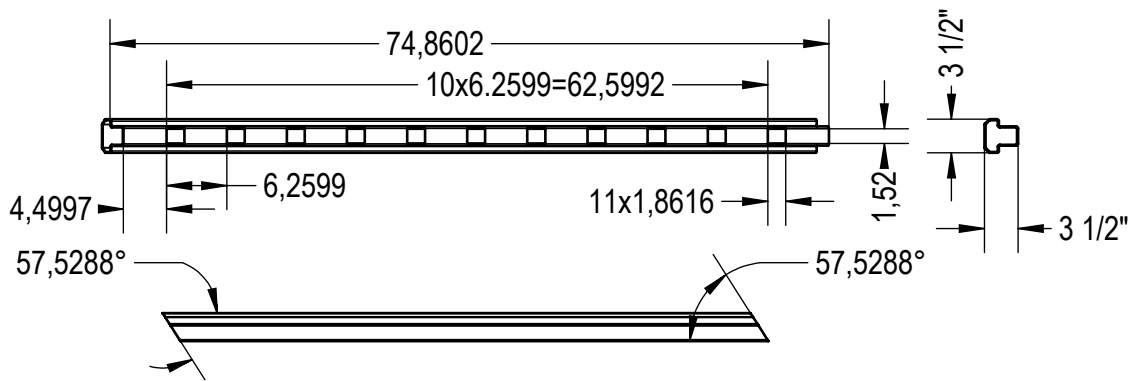
This Railing System has been tested in accordance with ICC-ES AC-174 (June 1, 2009) for compliance with 2006 International Building Code (IBC), 2006 International Residential Code (IRC).

3 1/2' x 6' T-Rail Stair Rail

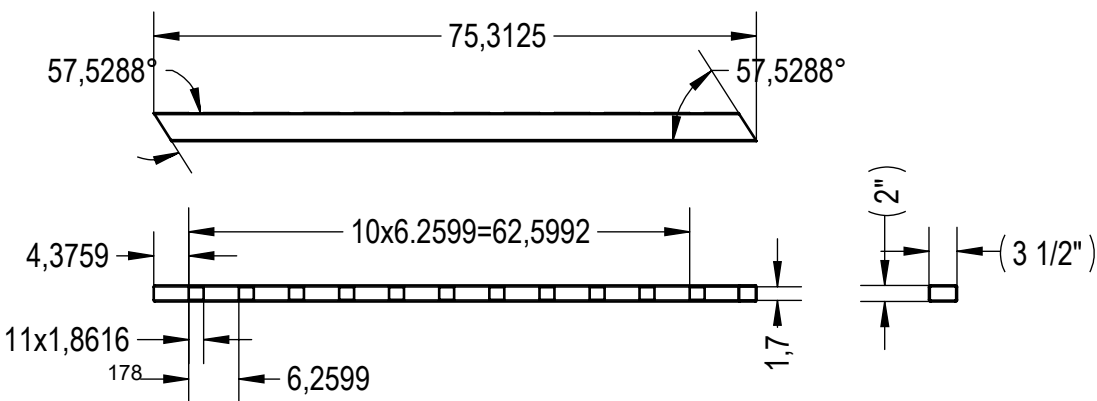
Required Material per 6' Section



T-Rail 3.5x3.5 (item 1)



Rail 2 x 3.5 (item 2)

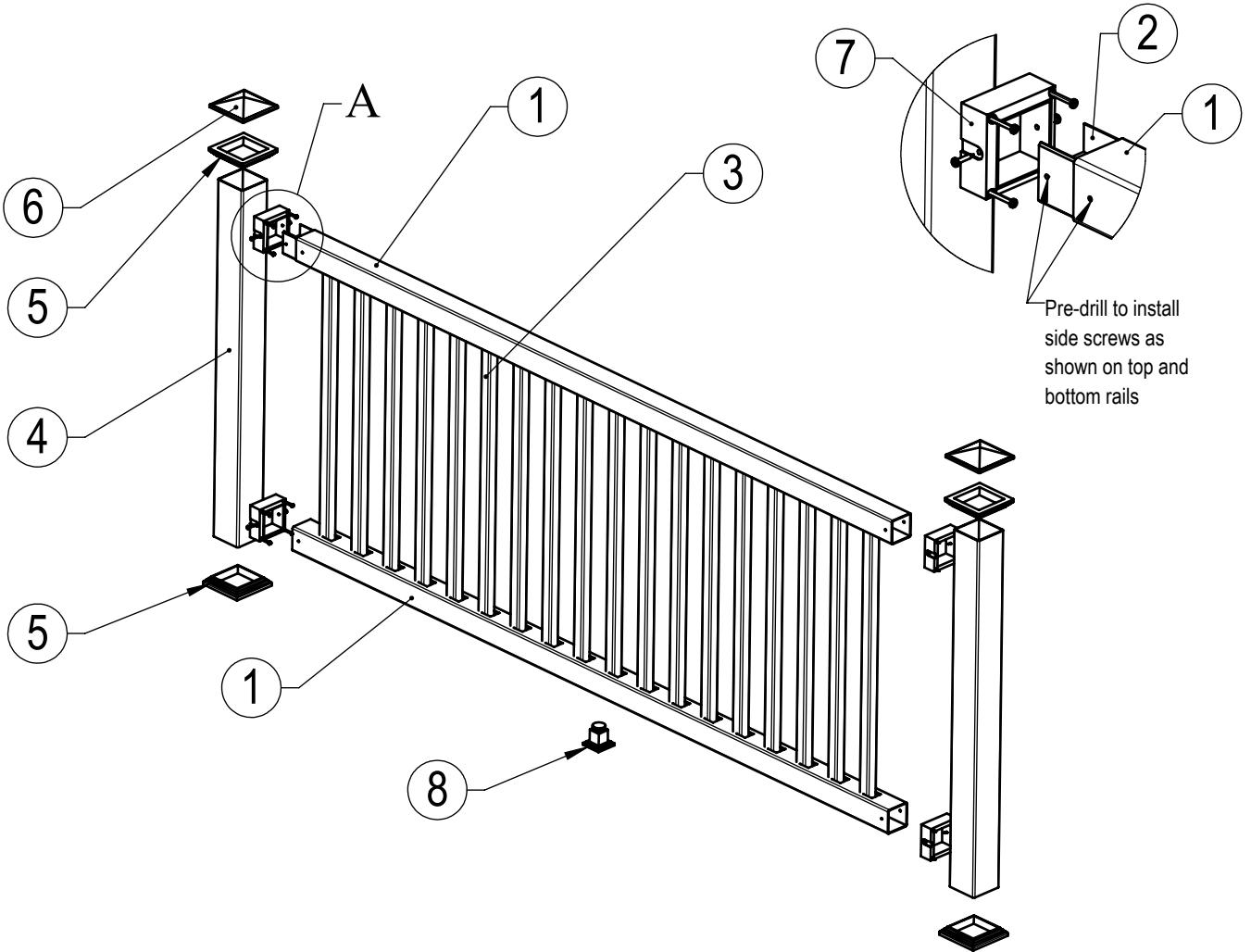


3 1/2' x 8' with 3 x 3 Rails



Required Material per 8' Section

Detail A



ITEM	DESCRIPTION	LENGTH	QTY	Note
1	Rail 3 x 3	96"	2	
2	Aluminum H-insert	95"	1	
3	Picket 1.375 x 1.375	37 7/8"	18	
4	Post 4x4	45"	2	
5	Trim 4 x 4 Classic		4	
6	Cap 4 x 4 Classic		2	
7	Bracket 3 x 3 Ext. Cham.		4	
8	Ajuctable Footblock		1	

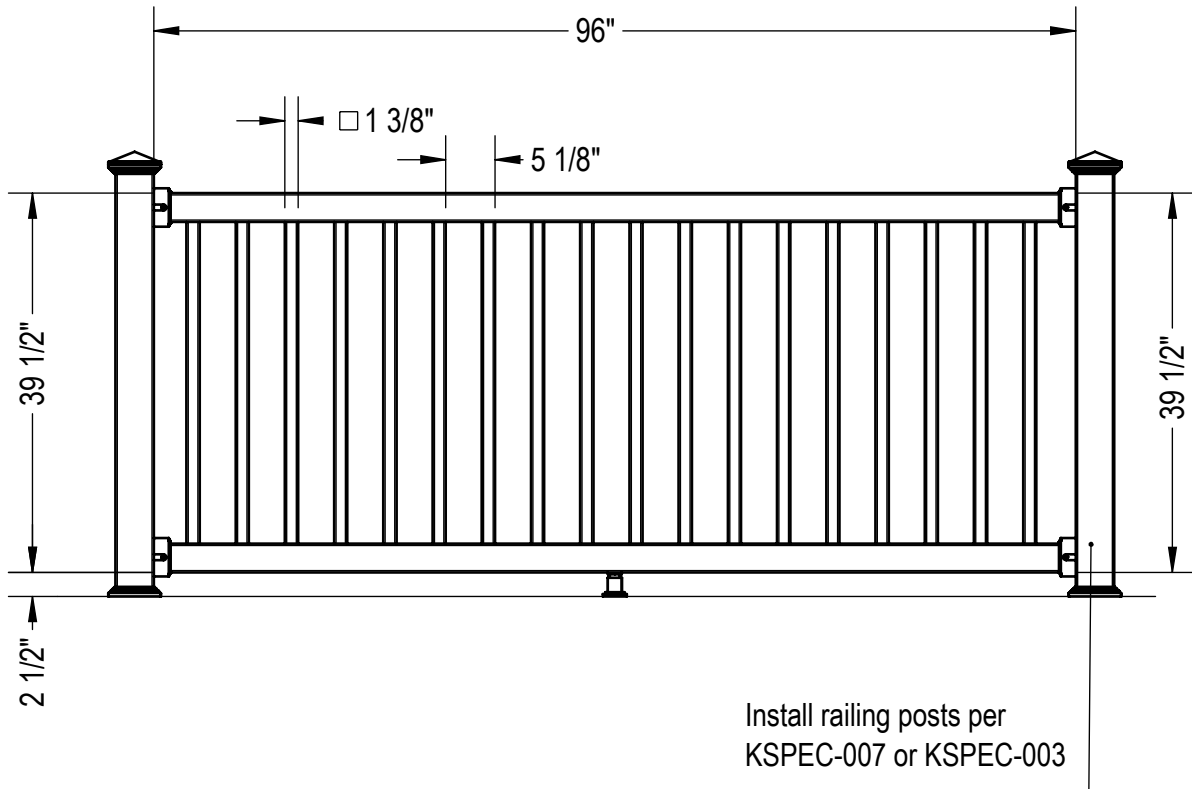
Not intended for Porch Rail systems greater than 30" off the ground. Not to be used for Porch Rail systems that exceed either the Rail Height or the Rail Length shown in this drawing.

P320

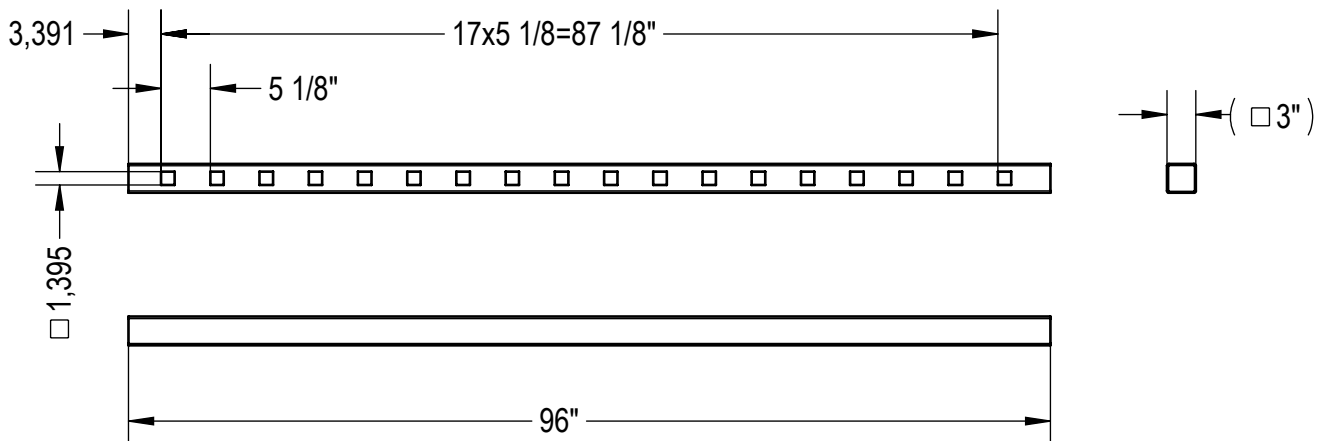
Sheet 1 of 2
02-11-23

3 1/2' x 8' with 3 x 3 Rails

Required Material per 8' Section

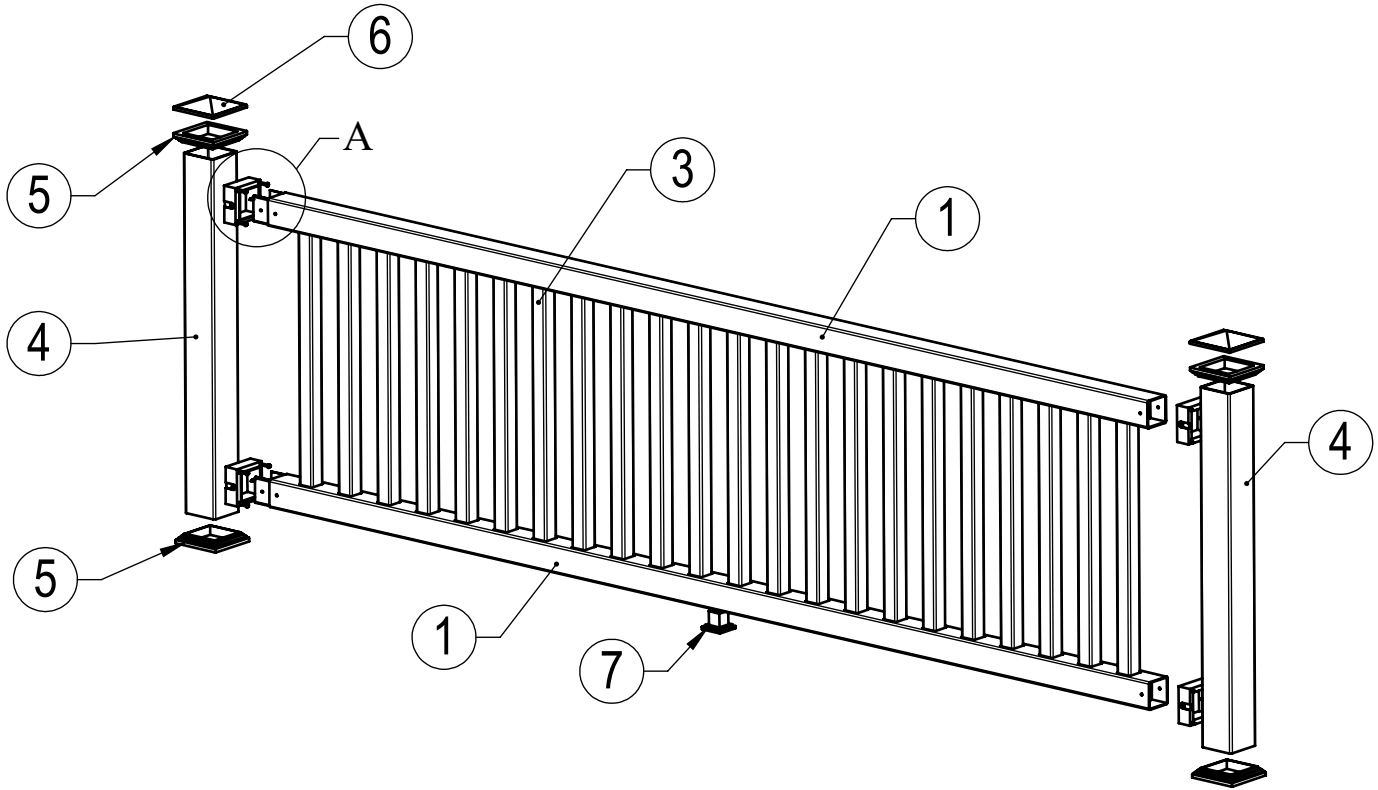


Rail 3 x 3

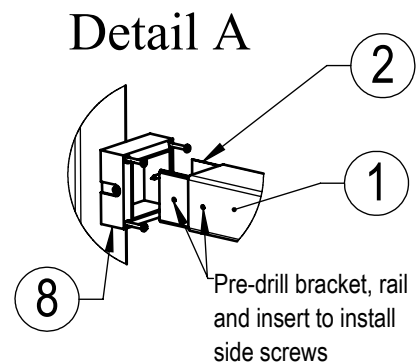


3' x 10' with 3 x 3 Rails

Required Material per 10' Section



ITEM	DESCRIPTION	LENGHT	QTY	Note
1	Rail 3 x 3	120"	2	
2	Aluminum H-insert	120"	2	
3	Picket 1.75x1.75	29 5/8"	22	
4	Post 4x4	39"	2	
5	Trim 4 x 4 Classic		4	
6	Cap 4 x 4 Classic		2	
7	Ajuctable Footblock		1	
8	Bracket 3 x 3 Ext. Cham.		4	



For other code evaluated pickets please refer to the picket matrix at beginning of section 14.

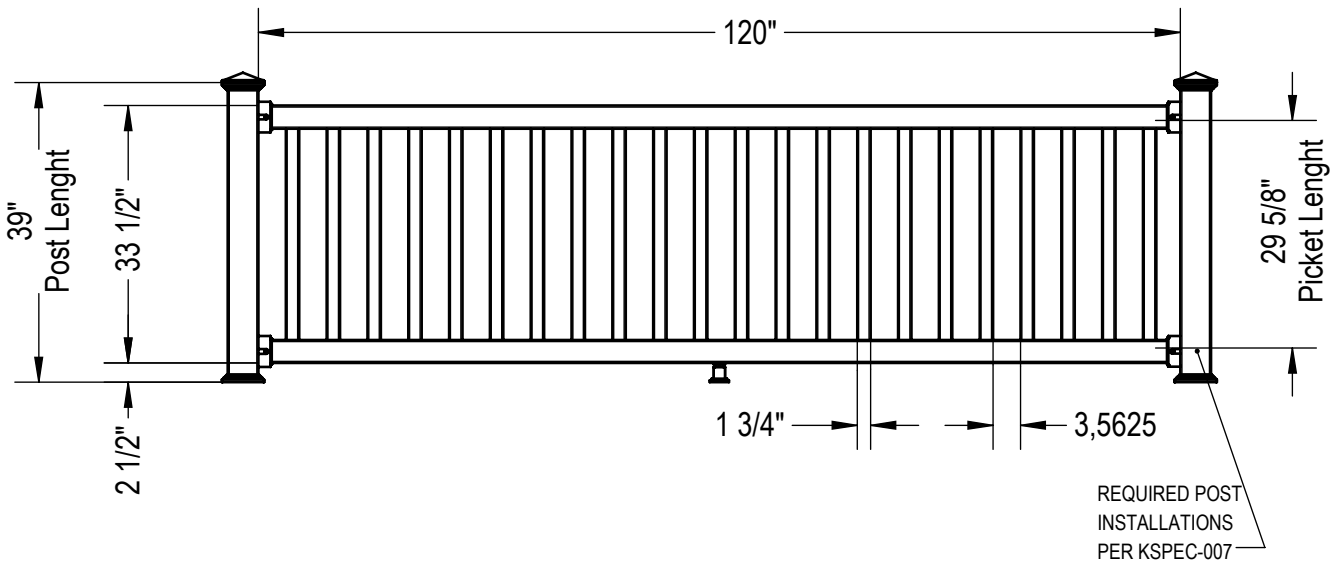
This Railing System has been tested in accordance with ICC-ES AC-174 (June 1, 2009) for compliance with 2006 International Building Code (IBC), 2006 International Residential Code (IRC).

P321

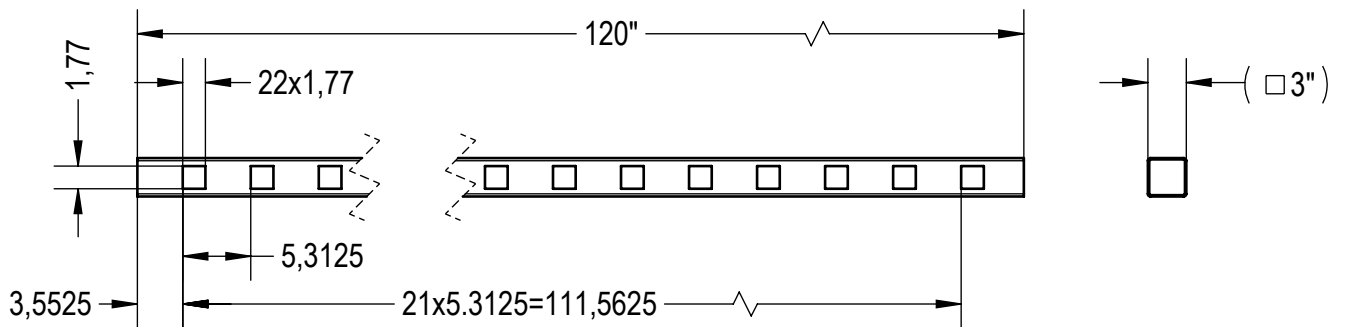
Sheet 1 of 2
02-19-23

3' x 10' with 3 x 3 Rails

Required Material per 10' Section

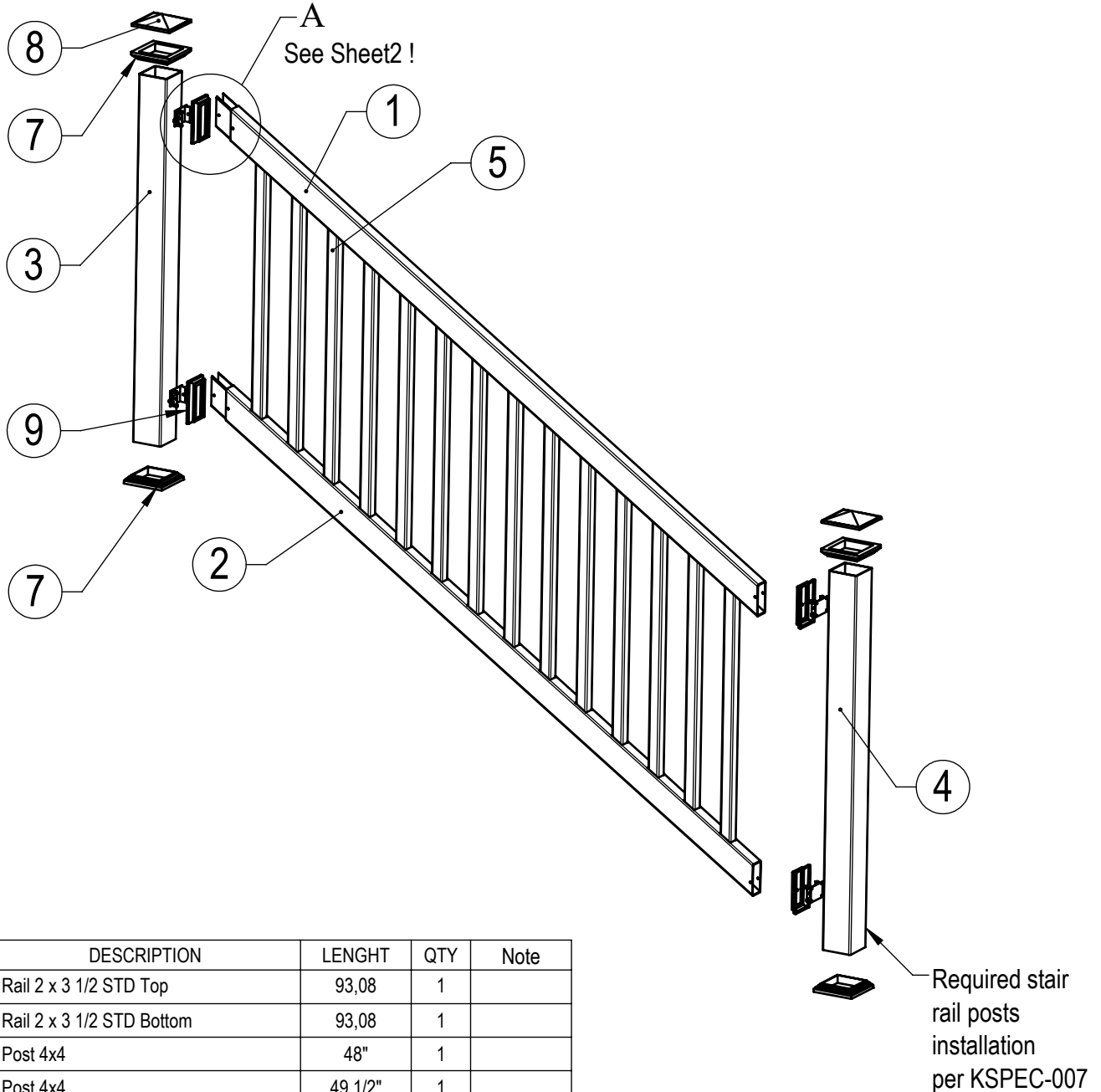


Routing rail 3x3 (item1)



3 1/2' x 8' Standard Stair Rail (STD wall)

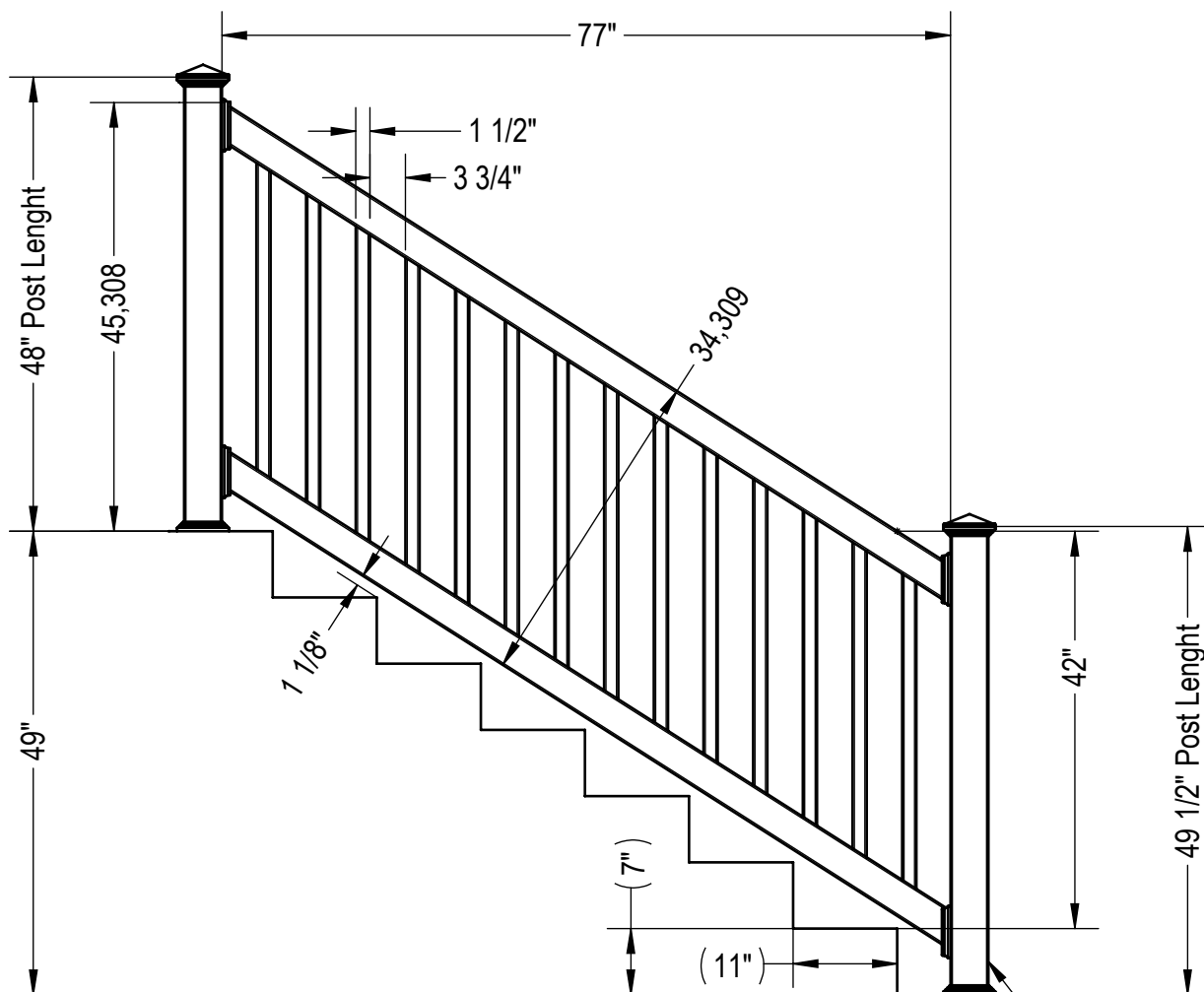
Required Material per 8' Section



ITEM	DESCRIPTION	LENGHT	QTY	Note
1	Rail 2 x 3 1/2 STD Top	93,08	1	
2	Rail 2 x 3 1/2 STD Bottom	93,08	1	
3	Post 4x4	48"	1	
4	Post 4x4	49 1/2"	1	
5	Picket 1.375 x 1.375	34,94	14	
6	Aluminum H-insert	93,08	2	
7	Trim 4 x 4 Classic		4	
8	Cap 4 x 4 Classic		2	
9	Bracket 2x3.5 Stair Trim OEM Base		4	Option 1
9	Bracket 2x3.5 Stair Trim LMT		4	Option 2

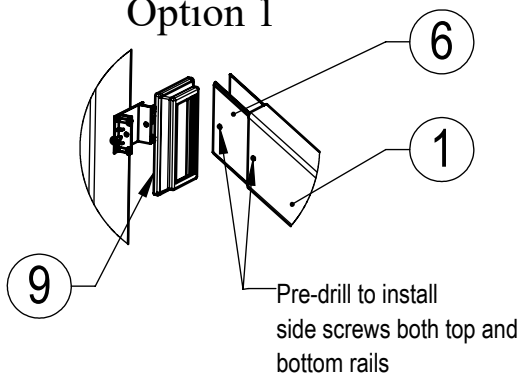
This Railing System has been tested in accordance with ICC-ES AC-174 (June 1, 2009) for compliance with 2006 International Building Code (IBC), 2006 International Residential Code (IRC).

3 1/2' x 8' Standard Stair Rail (STD wall)



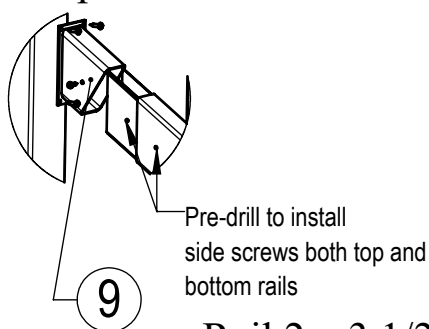
Detail A (sheet 1)

Option 1



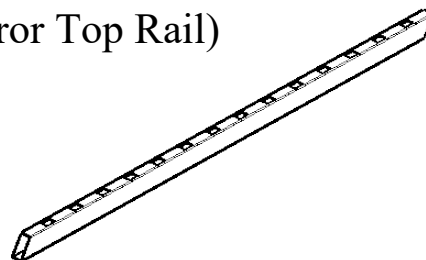
Detail A (Sheet 1)

Option 2

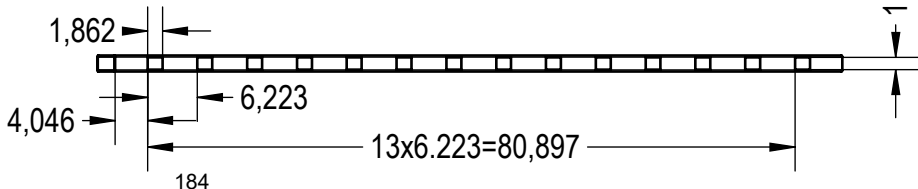
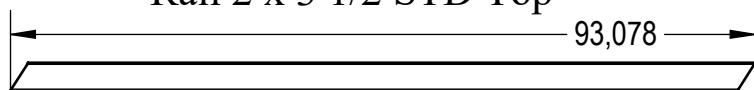


Required stair rail posts installation per KSPEC-007

Rail 2 x 3 1/2 STD Bottom (Mirror Top Rail)



Rail 2 x 3 1/2 STD Top

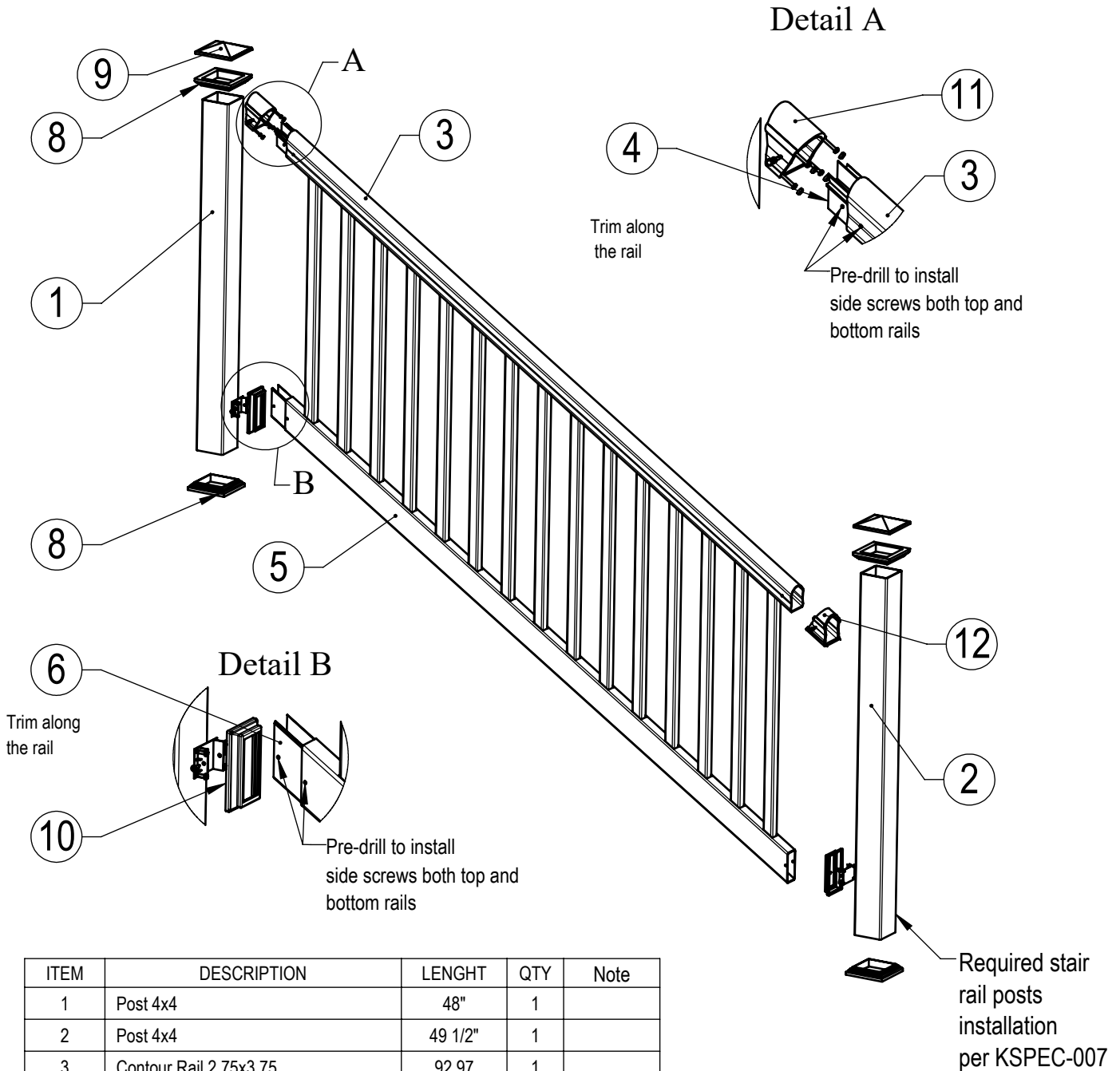


P322

3 1/2' x 8' Contour Stair Rail



Required Material per 8' Section



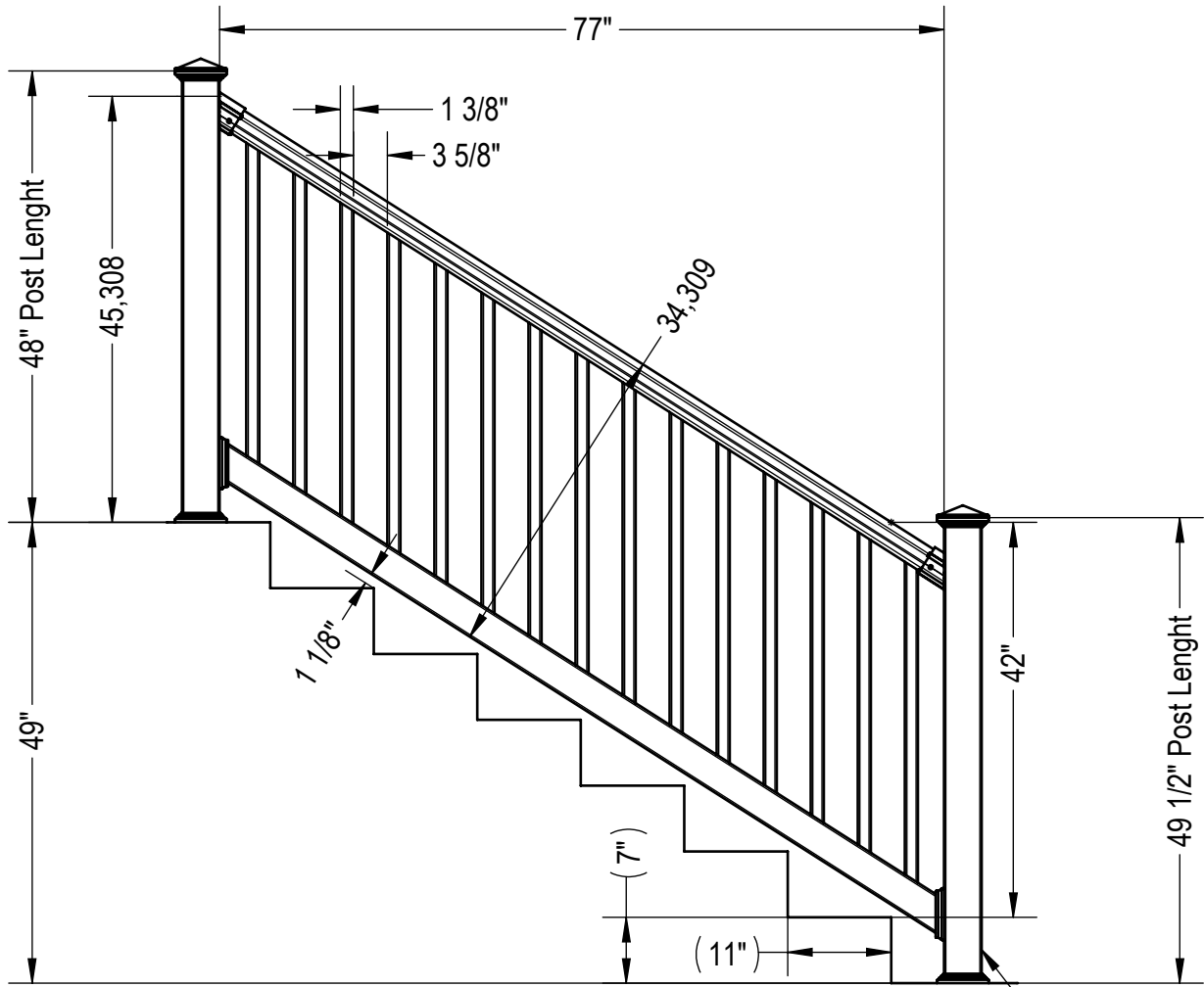
ITEM	DESCRIPTION	LENGHT	QTY	Note
1	Post 4x4	48"	1	
2	Post 4x4	49 1/2"	1	
3	Contour Rail 2.75x3.75	92,97	1	
4	Insert 2.75x 3.25 Aluminum	92,97	1	
5	Rail 2 x 3.5STD	92,97	1	
6	Aluminum H-insert for 2 x 3.5 Rail	92,97	1	
7	Picket 1.375 x 1.375	36 1/2"	15	
8	Trim 4 x 4 Classic		4	
9	Cap 4 x 4 Classic		2	
10	Bracket 2x3.5 Stair Trim OEM Base		2	
11	Bracket 2.75x3.75 Contour left		1	
12	Bracket 2.75x3.75 Contour right		1	

This Railing System has been tested in accordance with ICC-ES AC-174 (June 1, 2009) for compliance with 2006 International Building Code (IBC), 2006 International Residential Code (IRC).

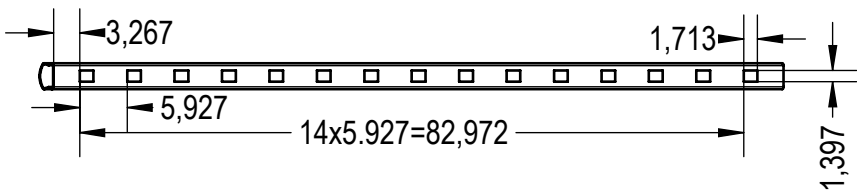
3 1/2' x 8' Contour Stair Rail



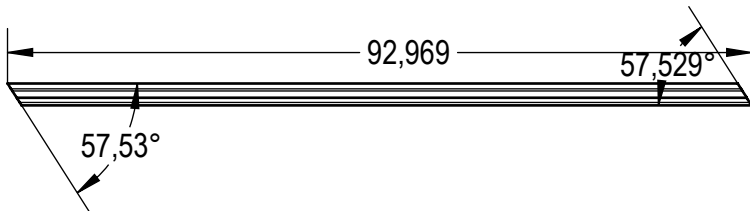
Required Material per 8' Section



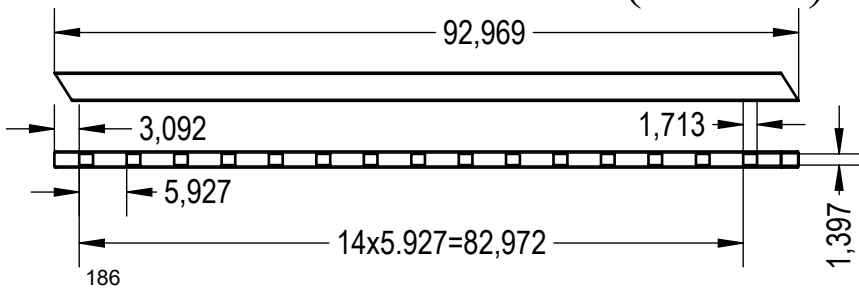
Contour Rail 2.75x3.75 (Top)



Required stair rail posts installation per KSPEC-007



Rail 2 x 3.5STD (Bottom)

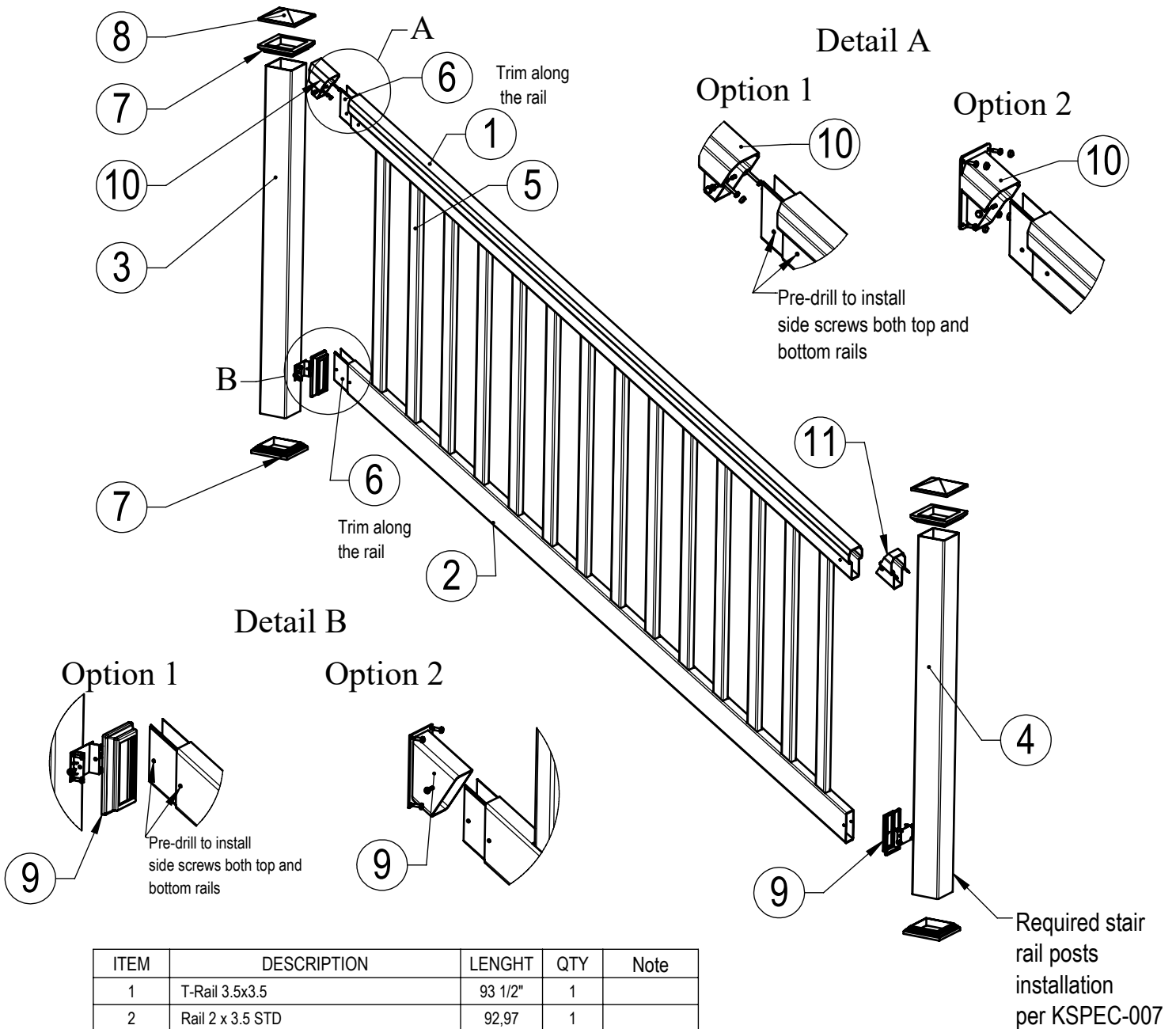


P323

3 1/2' x 8' T-Rail Stair Rail



Required Material per 8' Section



ITEM	DESCRIPTION	LENGHT	QTY	Note
1	T-Rail 3.5x3.5	93 1/2"	1	
2	Rail 2 x 3.5 STD	92,97	1	
3	Post 4x4	48"	1	
4	Post 4x4	49 1/2"	1	
5	Picket 1.5 x 1.5	34,94	14	
6	Aluminum H-insert for 2 x 3.5 Rail	92,97	2	
7	Trim 4 x 4 Classic		4	
8	Cap 4 x 4 Classic		2	
9	Bracket 2x3.5 Stair Trim OEM Base		2	Option 1
	Bracket 2 x 3 1/2 Stair - LMT		2	Option 2
10	Bracket 3.5x3.5 T-Rail Stair Left		1	Option 1
	Bracket 3.5x3.5 Upper Stair Brkt - LMT Left		1	Option 2
11	Bracket 3.5x3.5 T-Rail Stair Right		1	Option 1
	Bracket 3.5x3.5 Upper Stair Brkt - LMT Right		1	Option 2

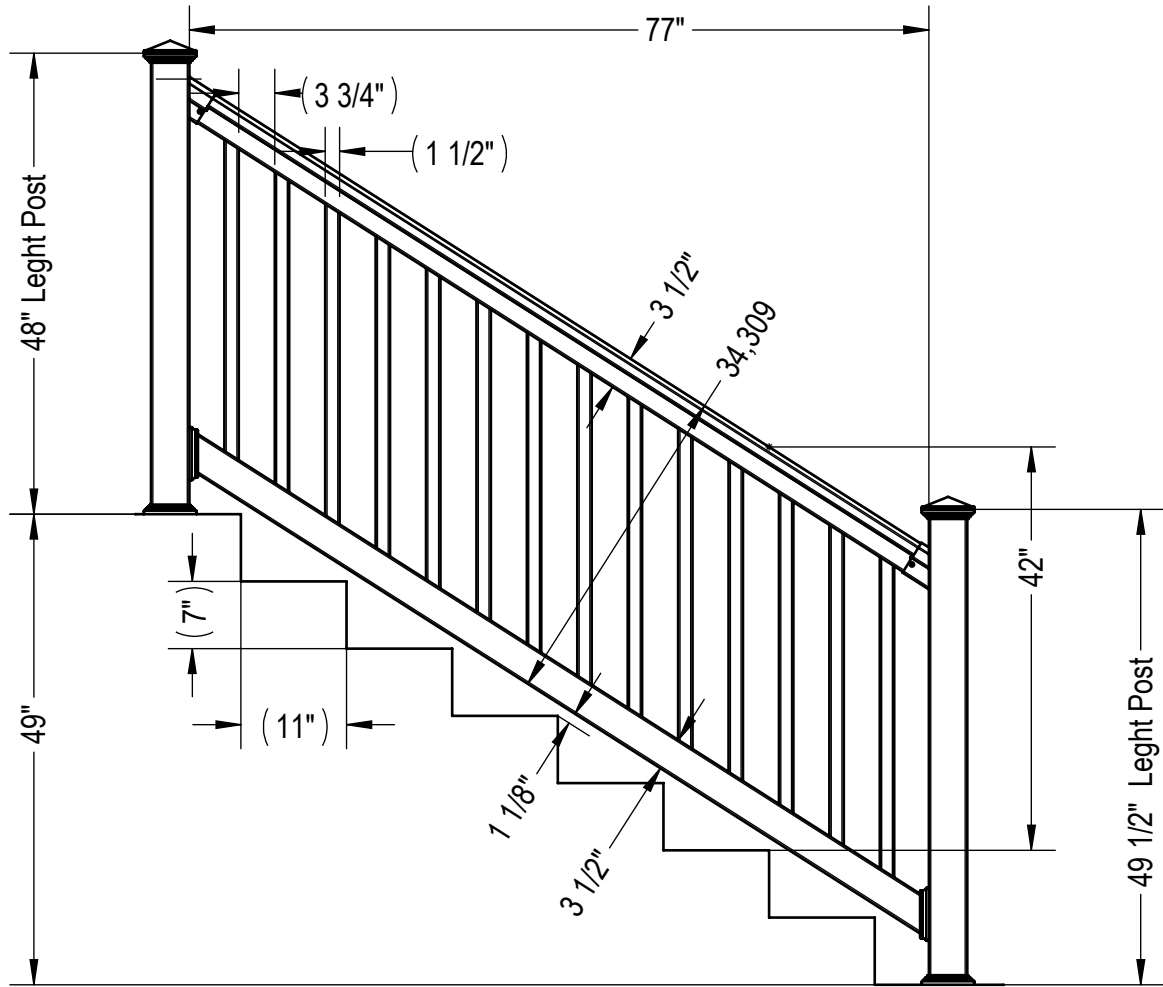
This Railing System has been tested in accordance with ICC-ES AC-174 (June 1, 2009) for compliance with 2006 International Building Code (IBC), 2006 International Residential Code (IRC).

P324

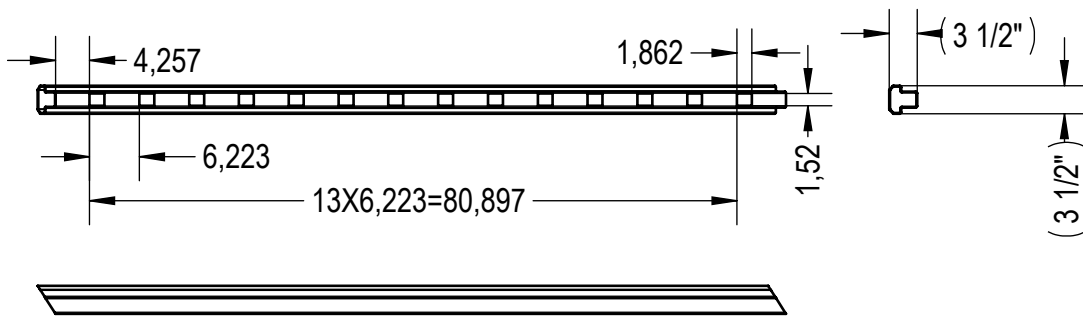
Sheet 1 of 2
02-14-23

3 1/2' x 8' T-Rail Stair Rail

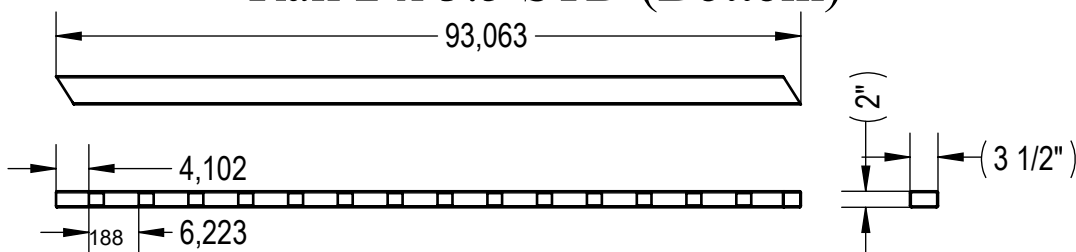
Required Material per 8' Section



T-Rail 3.5x3.5 (Top)



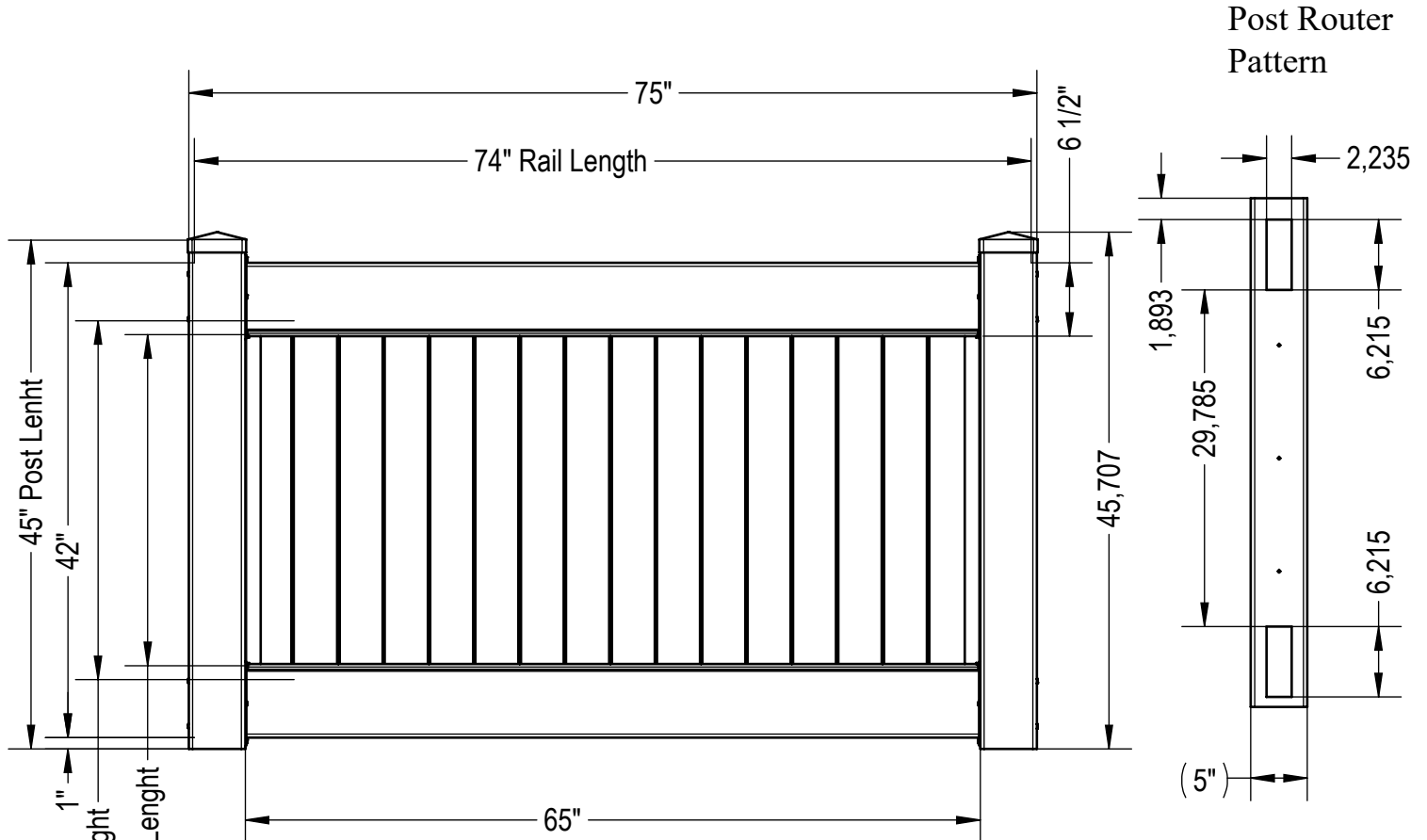
Rail 2 x 3.5 STD (Bottom)



P324

3 1/2' x 6' Performance Privacy Gate

Required Material per 6' Section

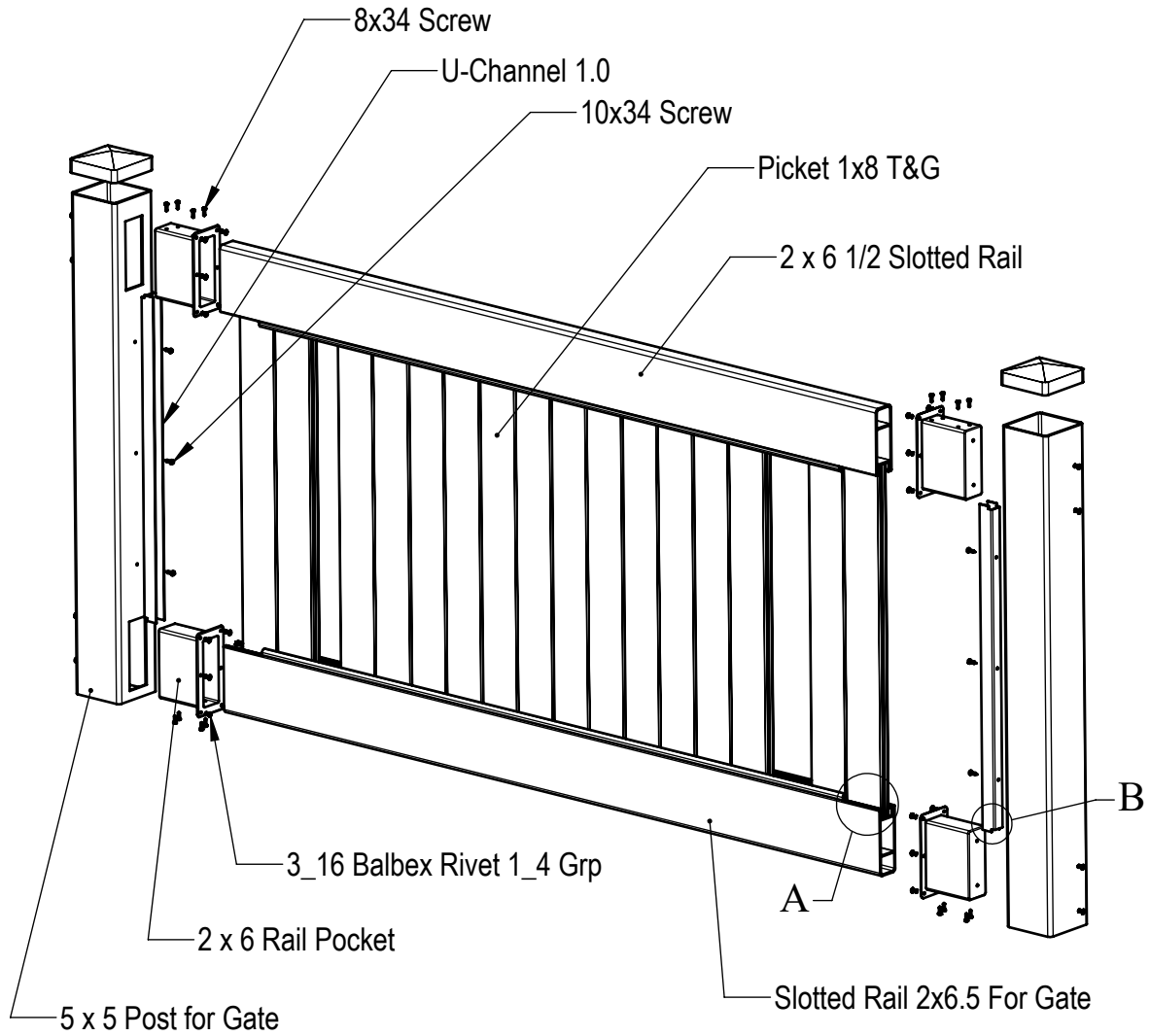


QTY	PART NUMBER	LENGTH
2	5 x 5 Post	45"
2	2 x 6 1/2 Slotted Rail	74"
8	1 x 8 T&G Picket	31 3/4"
2	7/8 U-Channel	29,29
2	5 x 5 External Long Cap	
4	2 x 6 Rail Pocket	
32	3/16" Balbex Rivet 1/4" Grp	
16	#8-32 x 3/4" Screw	
6	#10-32 x 3/4" Screw	

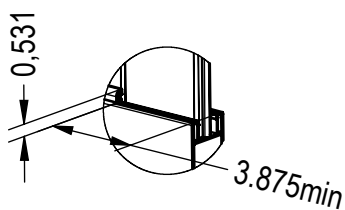
Recommend adjoining Posts be installed per KSPEC-001

3 1/2' x 6' Performance Privacy Gate

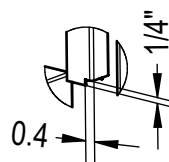
Required Material per 6' Section



Cut the area in the parts to fit the pocket part



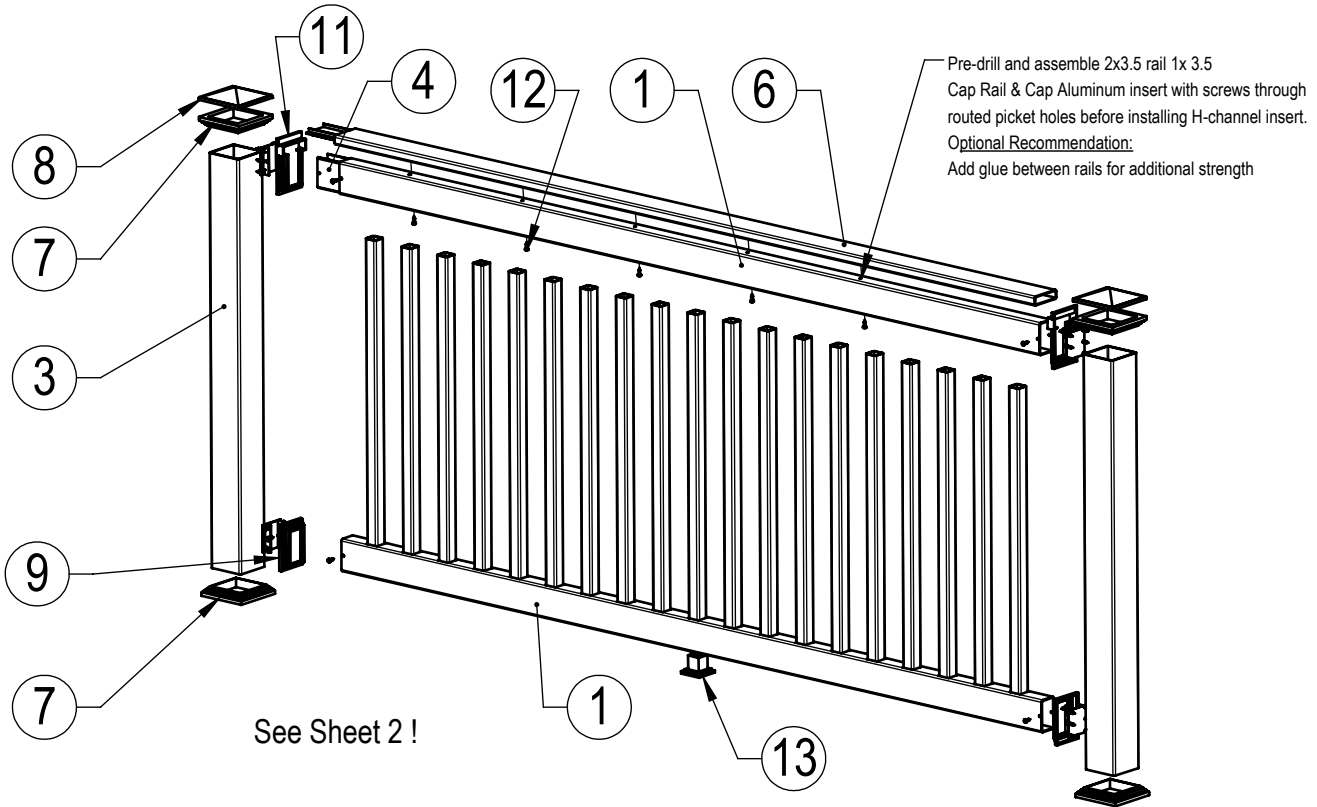
Detail A
1 : 8



Detail B
1 : 8

3 1/2' x 8' Standard Rail w/Decorative Cap Rail

Required Material per 8' Section



ITEM	PART NUMBER	DESCRIPTION	Lenght	Part list	NOTE
1	STR1	Rail 2 x 3 1/2 STD	95 1/2"	2	
2	STR2	Picket 1.375 x 1.375	36 1/2"	19	
3	STR3	Post 4x4	45"	2	
4	STR4	Aluminum H-insert	95 1/2"	1	
5		Alucinium insert 1x3.5	95 1/2"	1	
6		Decorative Cap Rail 3.5x1	95 1/2"	1	
7		Trim 4 x 4 Classic		4	
8		Cap 4 x 4 Classic		2	
9		Bracket 2x3.5 OEM		2	
10		Bracket 2x3.5 MOD Base		2	
11		Bracket 2x3.5 Decorative Cap		2	
12		#10 x 3/4" Screw		13	
13		Ajuctable Footblock		1	

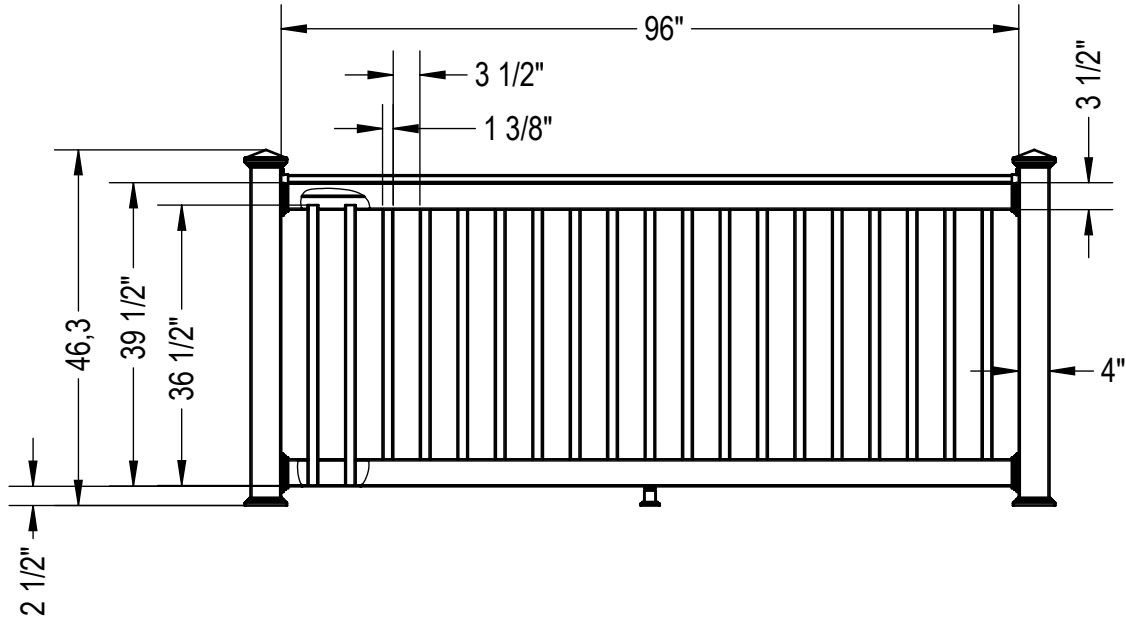
This Railing System has been tested in accordance with ICC-ES AC-174 (June 1, 2009) for compliance with 2006 International Building Code (IBC), 2006 International Residential Code (IRC).

P338

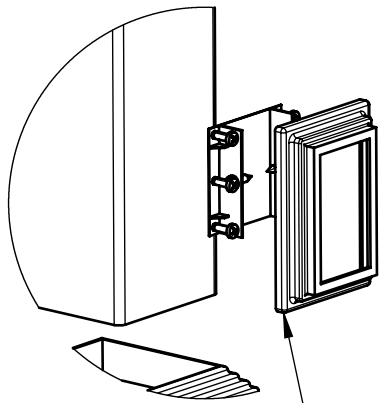
Sheet 1 of 2
02-16-23

3 1/2' x 8' Standard Rail w/Decorative Cap Rail

Required Material per 8' Section

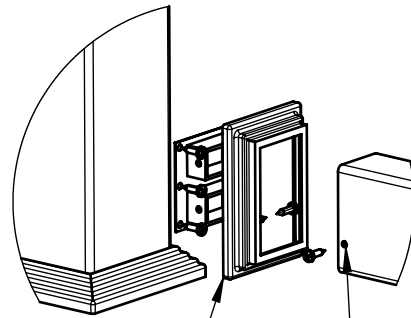


Option 1



Bracket 2x3.5 OEM Base

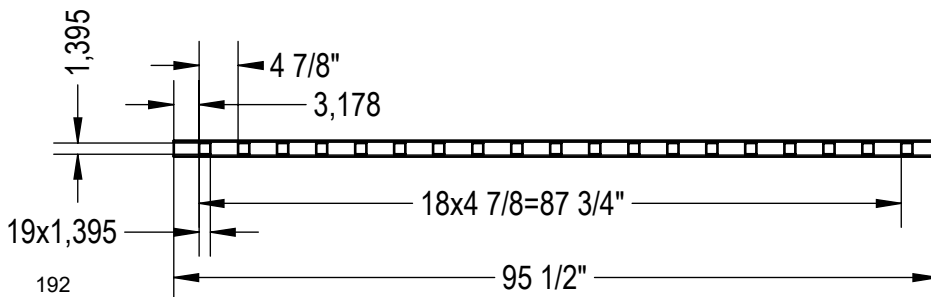
Option 2



Bracket 2x3.5 Mod Base

Pre-drill rail, bracket and insert for side screws

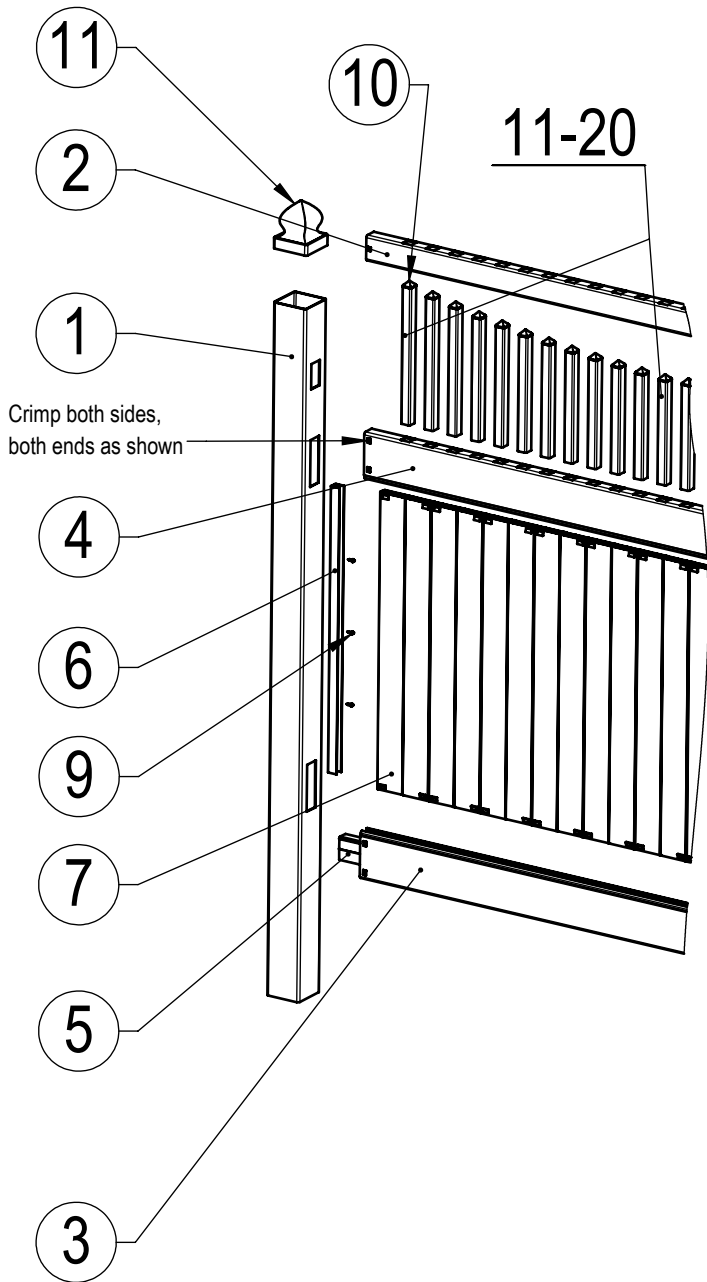
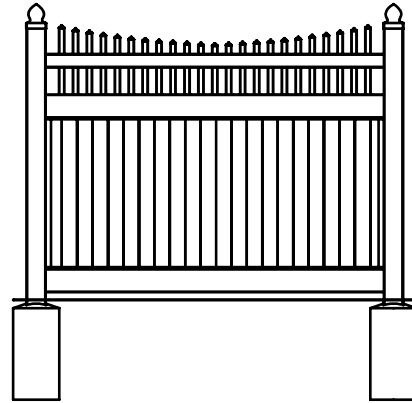
Rail 2 x 3 1/2 STD



P338

6' x 8' Privacy with Scalloped Accent and Straight Rail

Material List per 8 ft. section



ITEM	DESCRIPTION	LENGTH	QTY	Note
1	Post 5x5	96"	2	
2	Rail 2x3.5 RW	92"	1	
3	Bottom Slotted Rail 2x6.5	92"	1	
4	Top Slotted Rail 2x6.5	92"	1	
5	P-insert for 2x3.5 rail	92"	1	
6	U-Channel 7/8	39 5/8"	2	
7	Panel 1x8 T&G	41 1/8"	11	
8	Picket 1.375x1.375	14 3/8"	1	
9	#10 x 3/4" Screw		6	
10	Square Cap 1.375		23	
11	Gothic Cap 5x5		2	
12	Picket 1.375x1.375	14 1/2"	2	
13	Picket 1.375x1.375	14 3/4"	2	
14	Picket 1.375x1.375	15"	2	
15	Picket 1.375x1.375	15 1/4"	2	
16	Picket 1.375x1.375	15 5/8"	2	
17	Picket 1.375x1.375	16"	2	
18	Picket 1.375x1.375	16 1/2"	2	
19	Picket 1.375x1.375	17"	2	
20	Picket 1.375x1.375	17 5/8"	2	
21	Picket 1.375x1.375	18 1/4"	2	
22	Picket 1.375x1.375	19"	2	

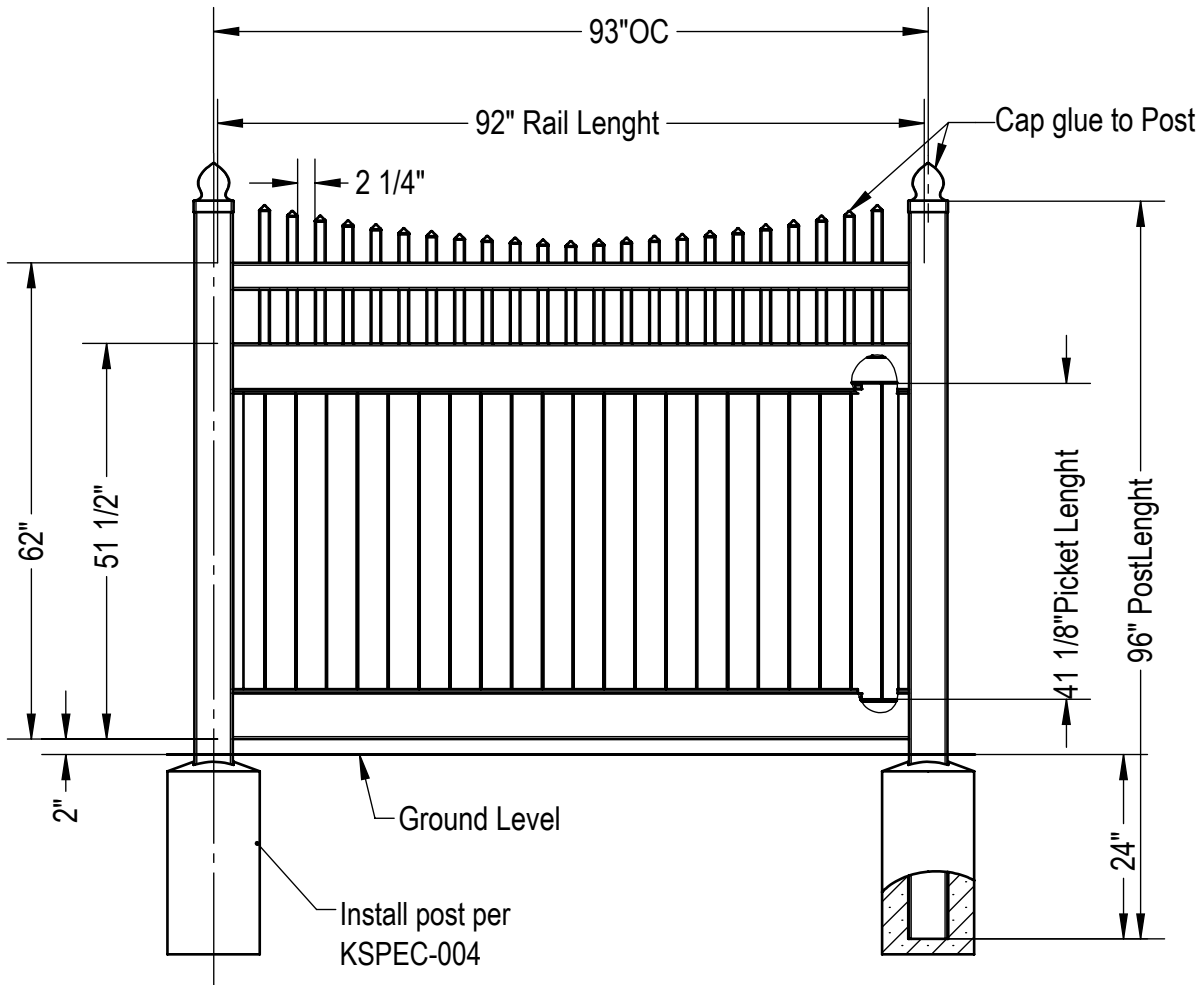
P339

Sheet 1 of 2

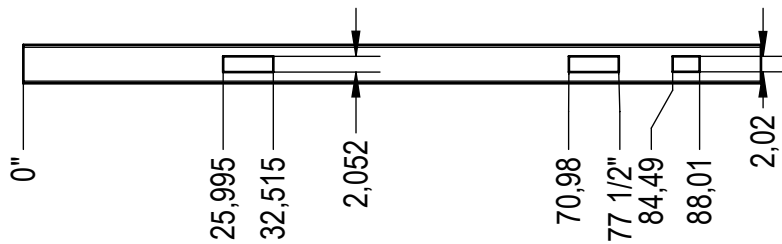
02-17-23

6' x 8' Privacy with Scalloped Accent and Straight Rail

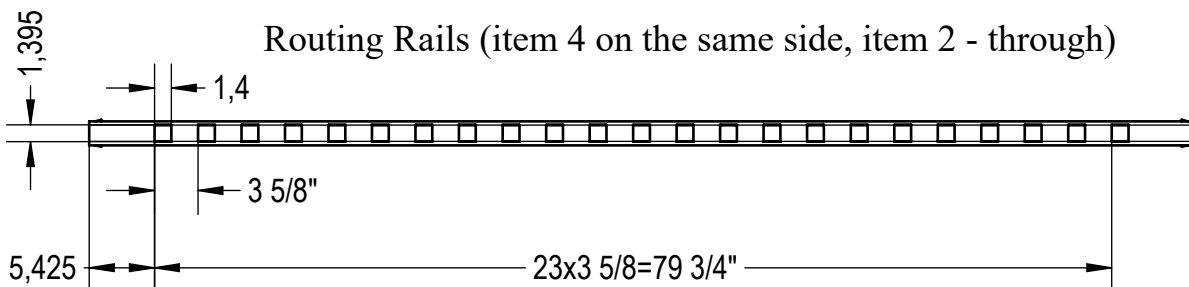
Material List per 8 ft. section



Routing Posts
(item 1 on the same side)

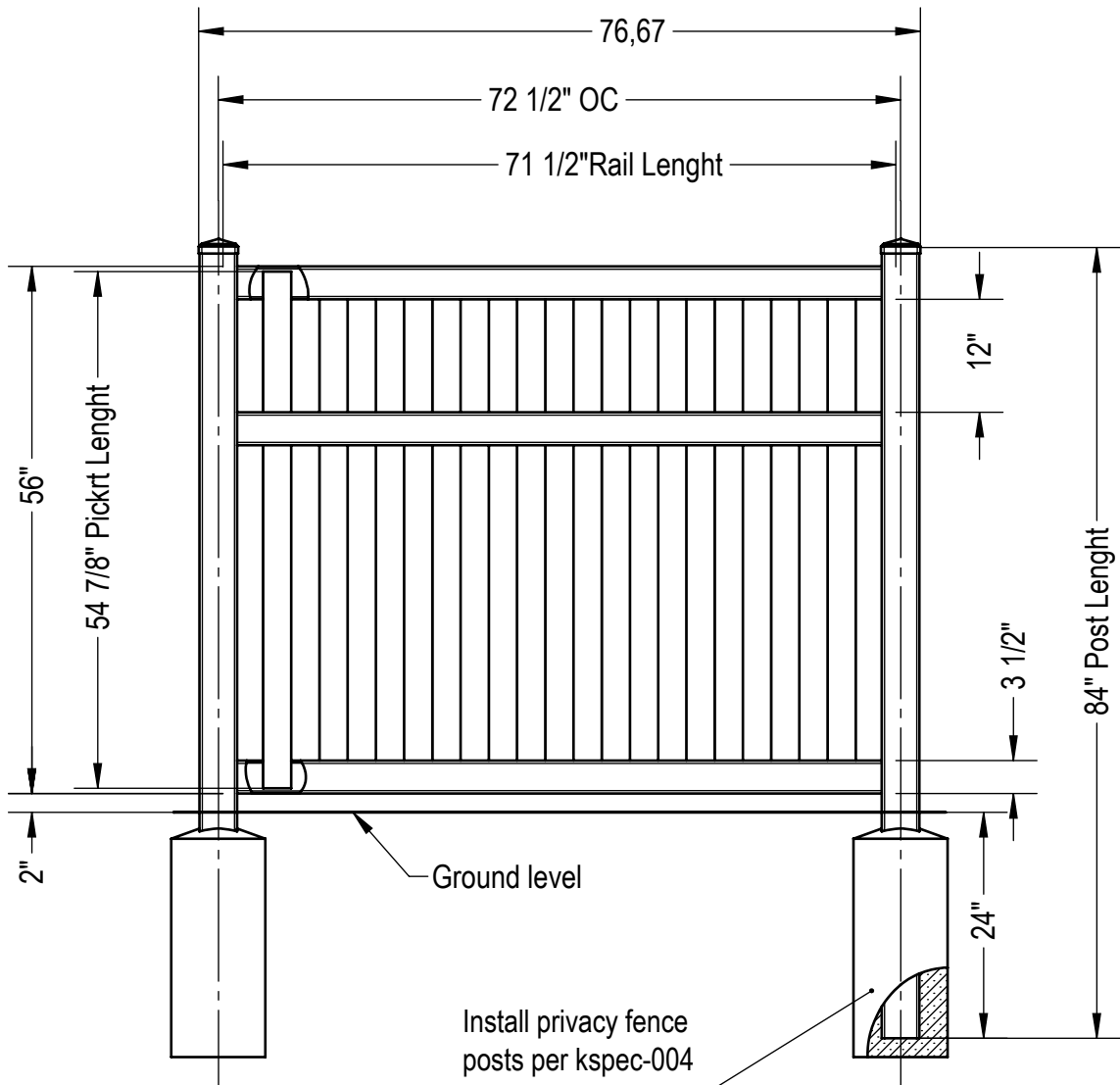


Routing Rails (item 4 on the same side, item 2 - through)



P339

5 ft Closed Picket Fence with Wide Pickets



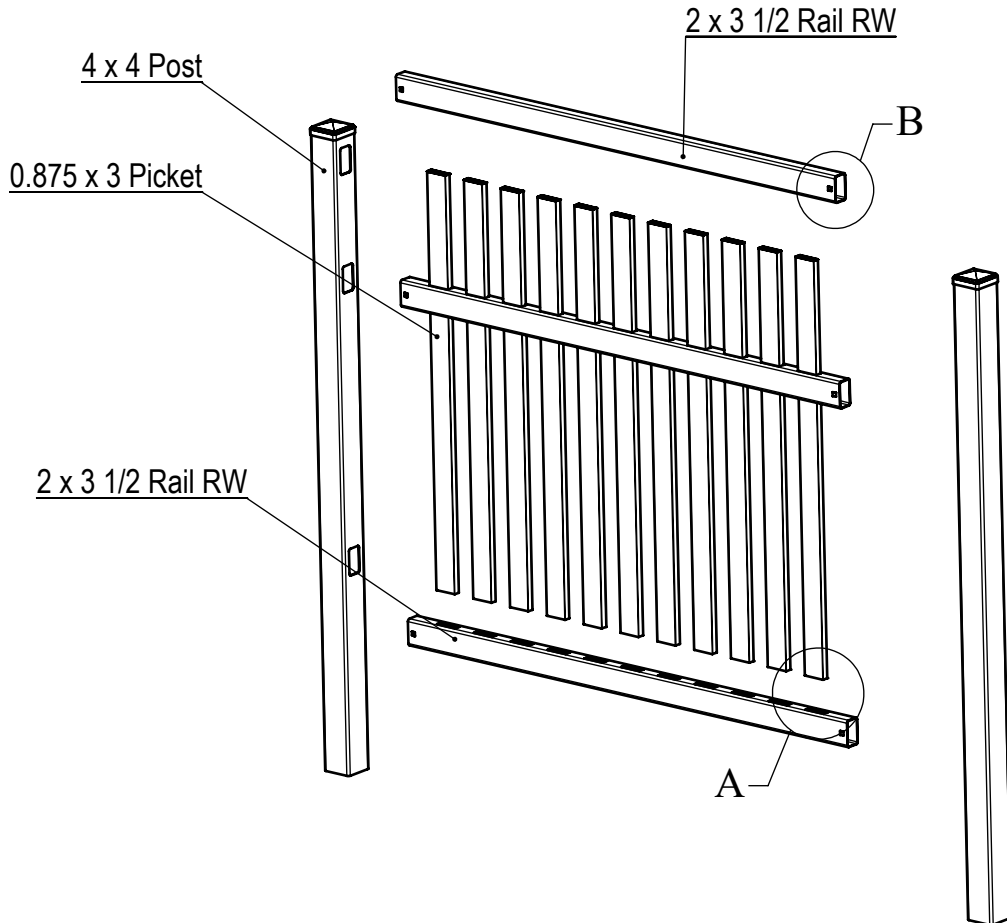
ITEM	PART NUMBER	LENGHT	QTY
1	4 x 4 Post	84"	2
2	Rail 2x3.5 RW	71 1/2"	3
3	0.875 x 3 Picket	54 7/8"	11
4	4 x 4 Decorative Cap		2

P340

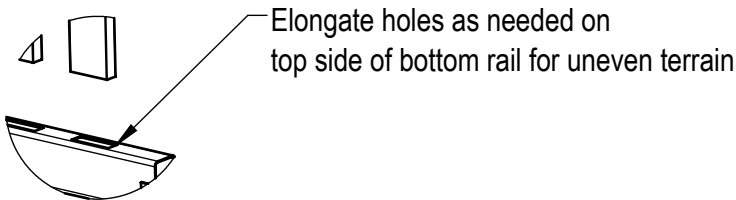
Sheet 1 of 2

01-12-23

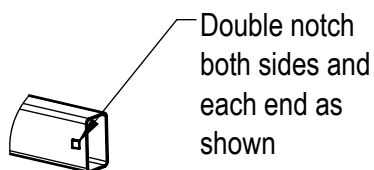
5 ft Closed Picket Fence with Wide Pickets



Detail A

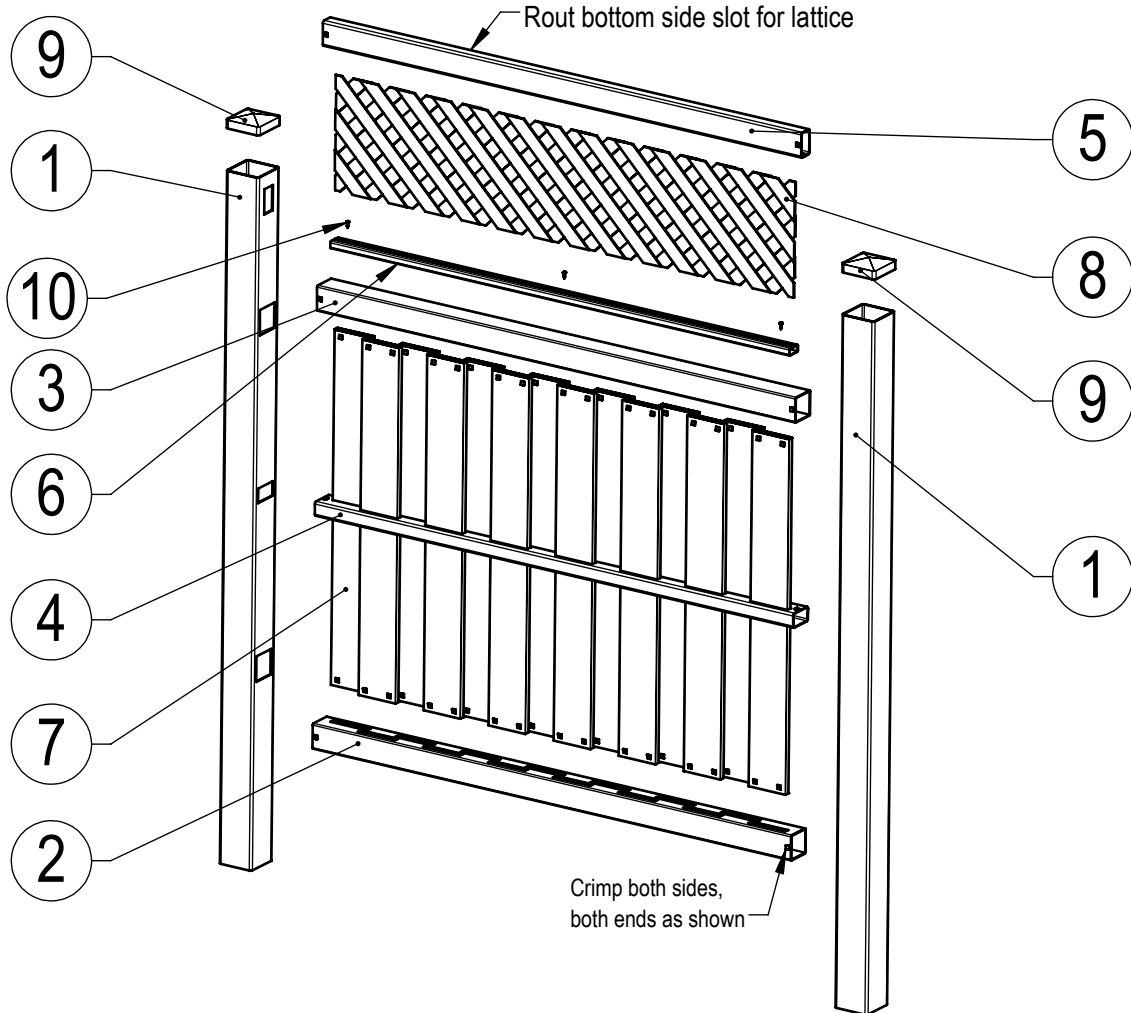


Detail B



6' Routed Shadow Box Fence with Lattice Accent

using 3/4 x 5 3/4 Pickets



ITEM	DESCRIPTION	LENGHT	QTY	Note
1	Post 5x5	96"	2	
2	Rail 3.5x3.5 Bottom	74 1/2"	1	
3	Rail 3.5x3.5 Top	74 1/2"	1	
4	Rail 2 x 3.5 middle	74 1/2"	1	
5	Rail 2x3.5 slotted for Lattice	74 1/2"	1	
6	Rail 1x2 slotted	71 1/2"	1	
7	Ribbed 0.75 x 5.375	49 1/4"	14	
8	Lattice fog gate 34x16	16x71.5	1	
9	External Long Cap 5 x 5		2	
10	#10 x 3/4" Screw		3	

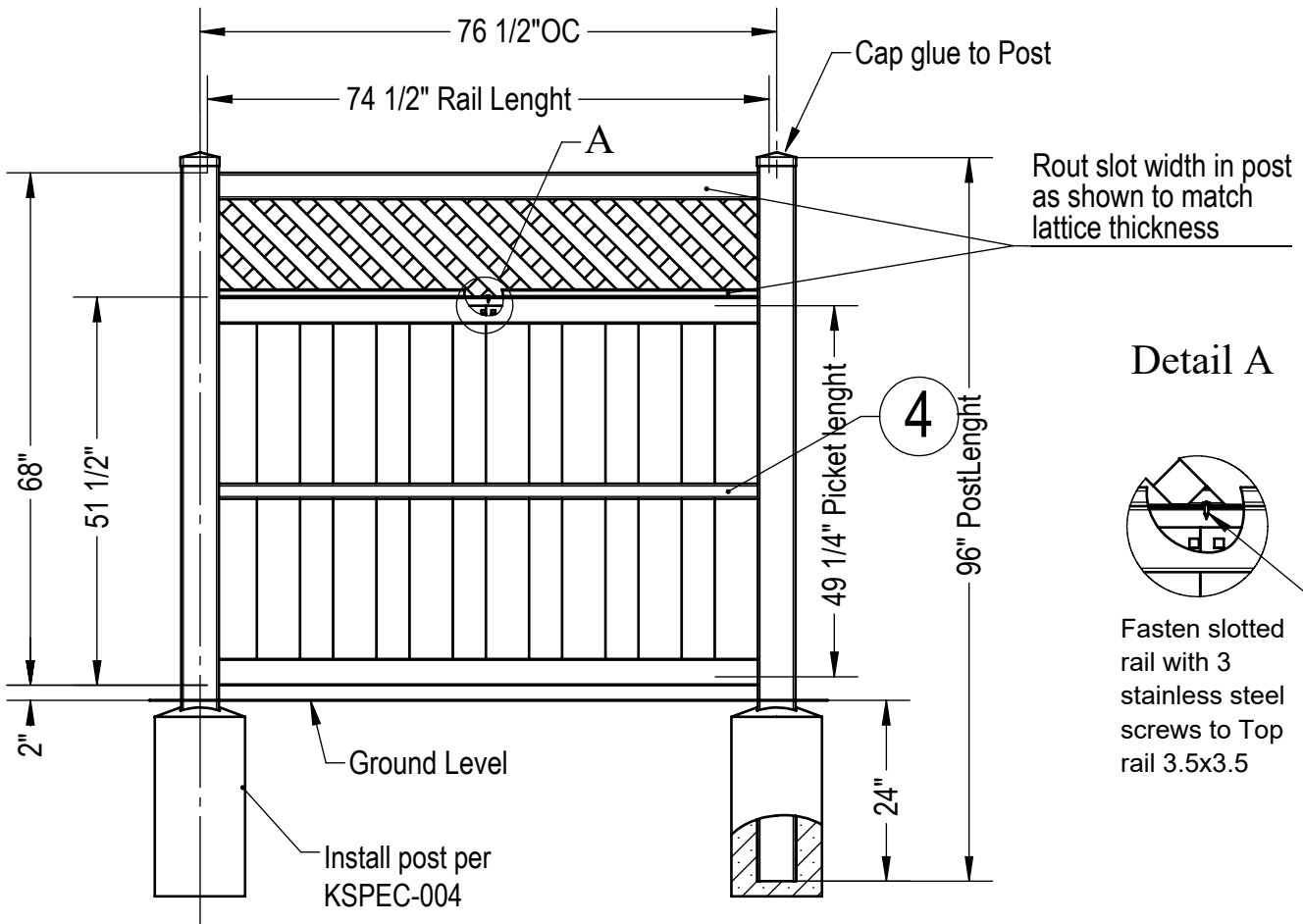
P342

Sheet 1 of 2

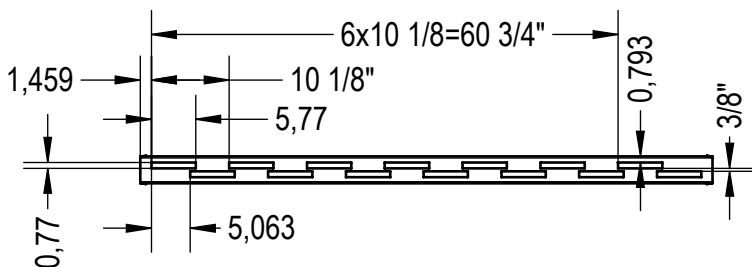
02-15-23

6' Routed Shadow Box Fence with Lattice Accent

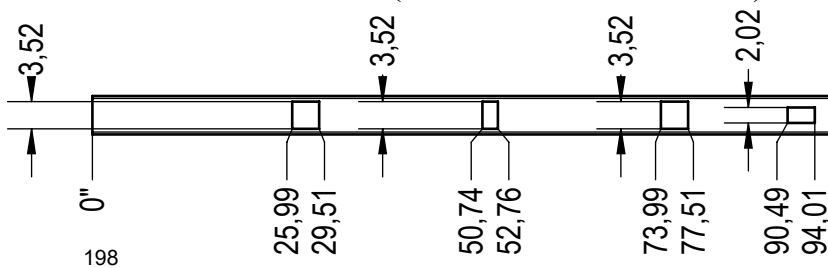
using 3/4 x 5 3/4 Pickets



Routind Rails (item 2 and 3 on the same side, item 4 - through)

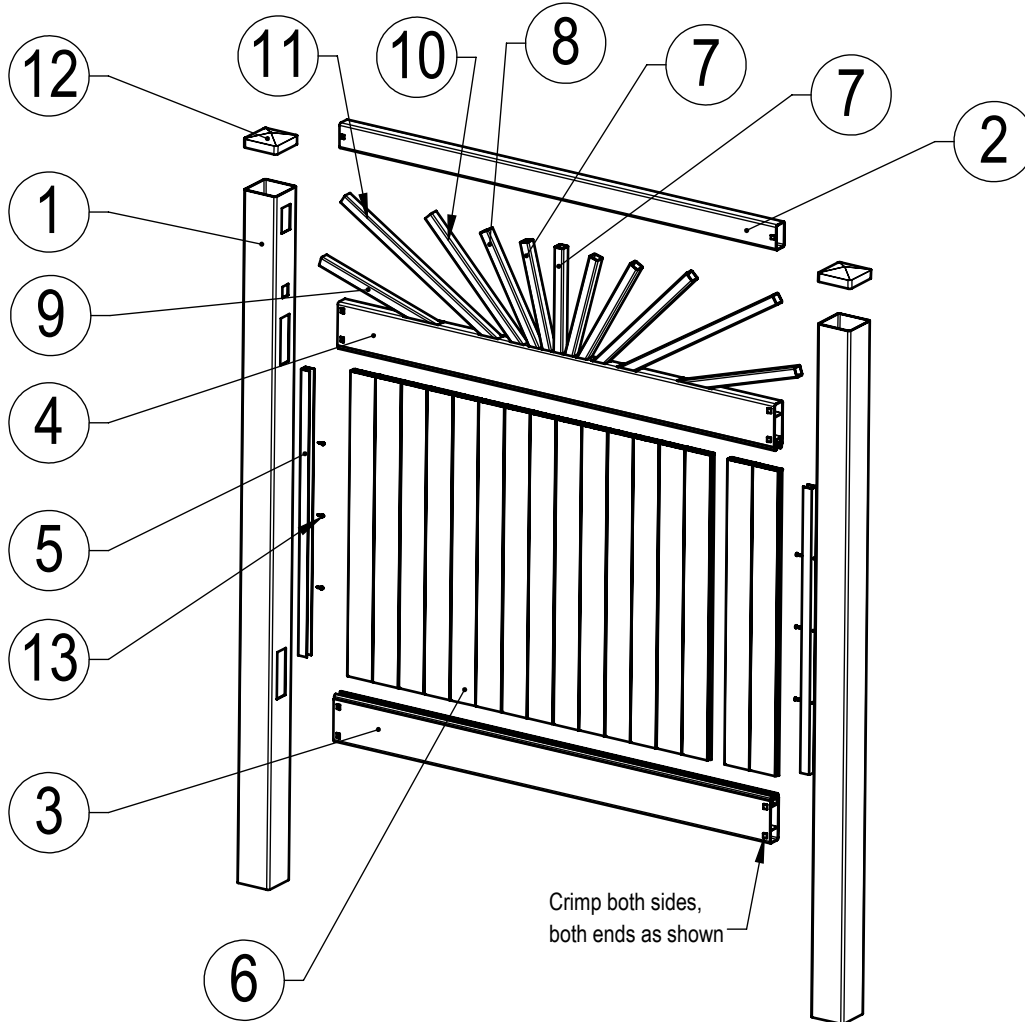


Routind Posts (item 1 on the same side)



P342

6' x 6' Privacy with Sunburst Accent



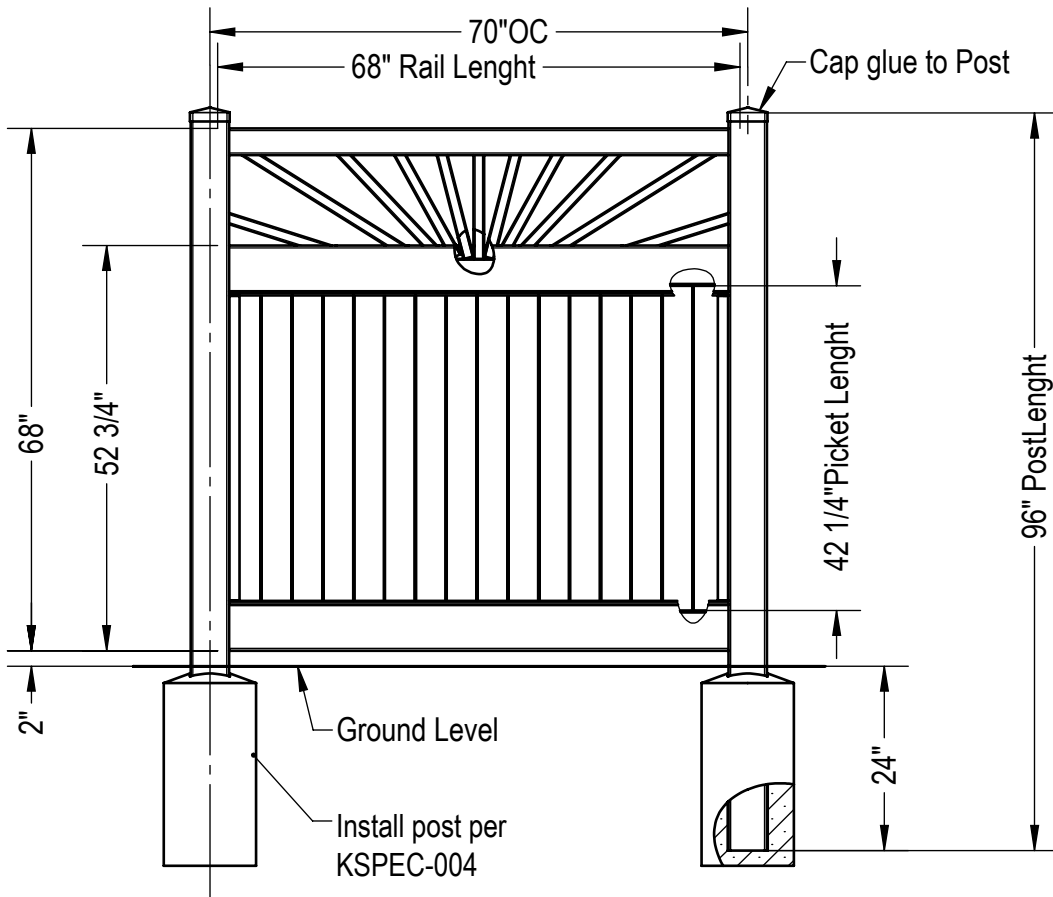
ITEM	DESCRIPTION	LENGHT	QTY	Note
1	Post 5x5	96"	2	
2	Rail 2x3.5 STD	68"	1	
3	Bottom slotted Rail 2x6.5	68"	1	
4	Top slotted Rail 2x6.5	68"	1	
5	U-Channel 7/8	39 5/8"	2	
6	Panel 1x8 T&G	42 1/4"	8	
7	Picket 1.375x1.375	16 1/4"	3	
8	Picket 1.375x1.375	18"	2	
9	Picket 1.375x1.375	20"	2	
10	Picket 1.375x1.375	22"	2	
11	Picket 1.375x1.375	29 1/8"	2	
12	External Long Cap 5 x 5		2	
13	#10 x 3/4" Screw		6	

P344

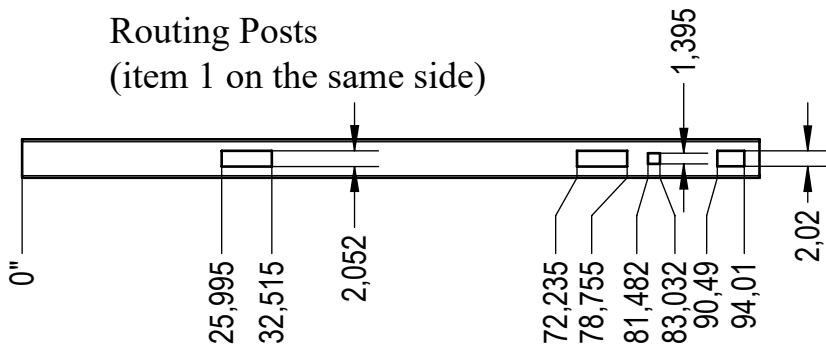
Sheet 1 of 2

02-15-23

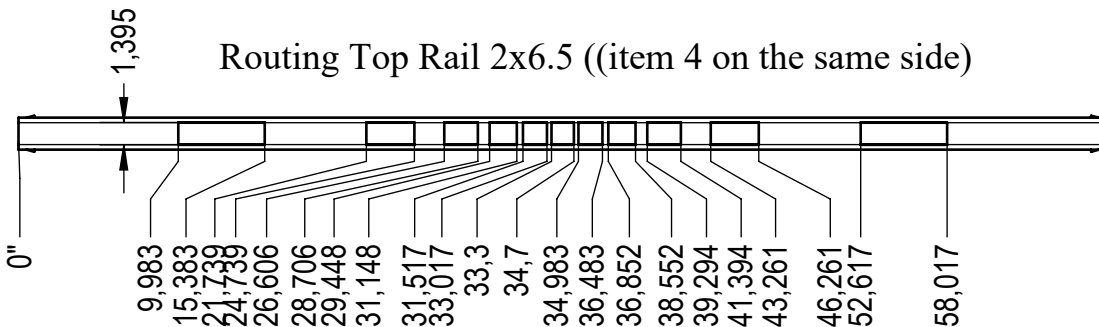
6' x 6' Privacy with Sunburst Accent



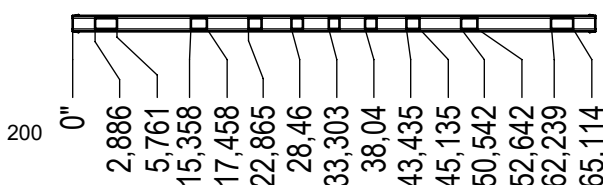
Routing Posts
(item 1 on the same side)



Routing Top Rail 2x6.5 ((item 4 on the same side)



Routing Rail 2x3.5 (item 2 on the same side)

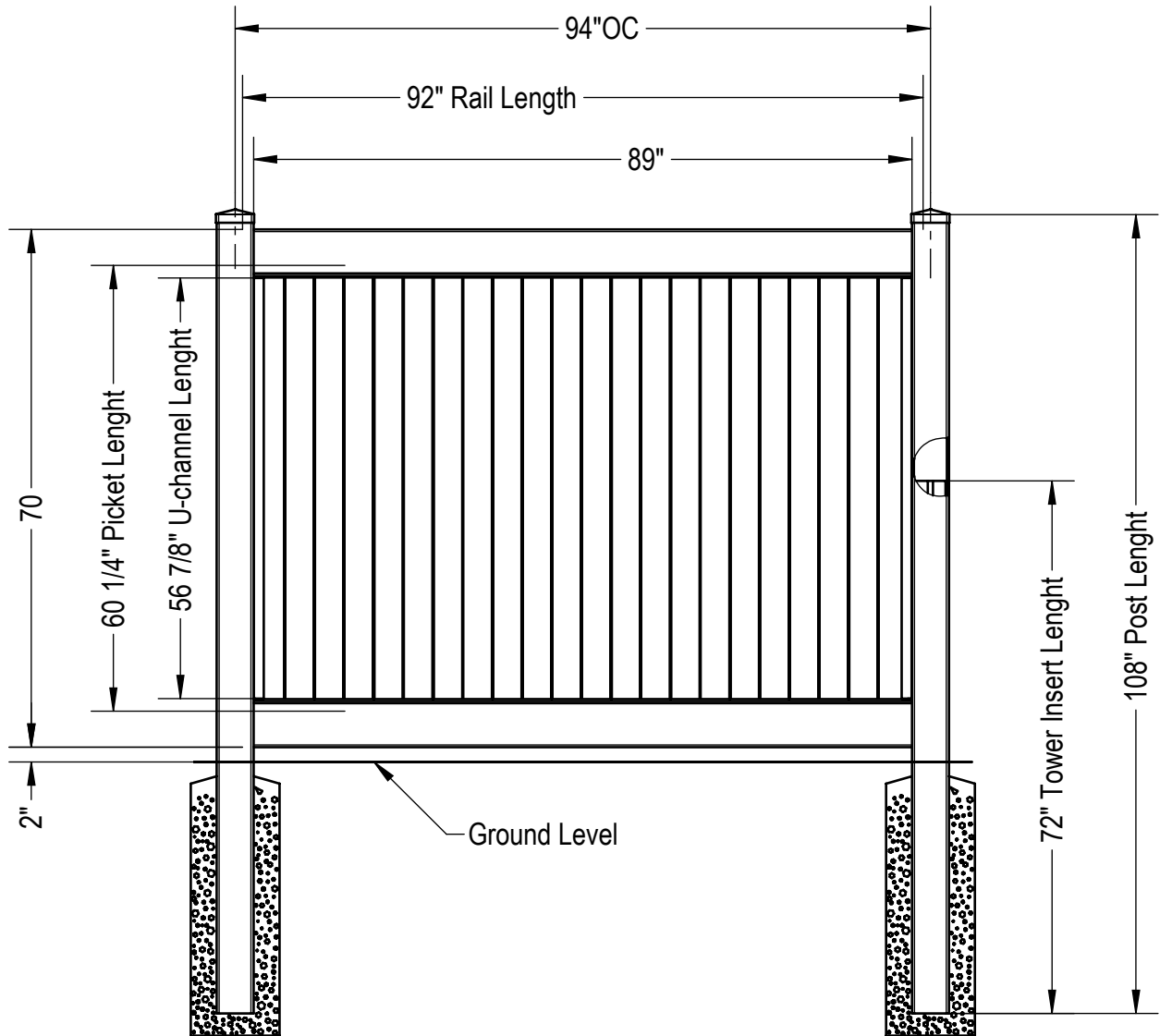


P344

70" H x 94" W Performance Privacy



with 1 x 8 T&G Picket panels



QTY	PART NUMBER	LENGTH
2	5 x 5 Post	108"
2	5 x 5 Post Tower Insert *	72"
2	2 x 6 1/2 Slotted Rail	92"
1	P-Channel alum.insert	92"
11	1 x 8 T&G Picket	60 1/4"
2	7/8 U-Channel	56 7/8"
6	#10 x 3/4" Screw	
2	5 x 5 External Long Cap	

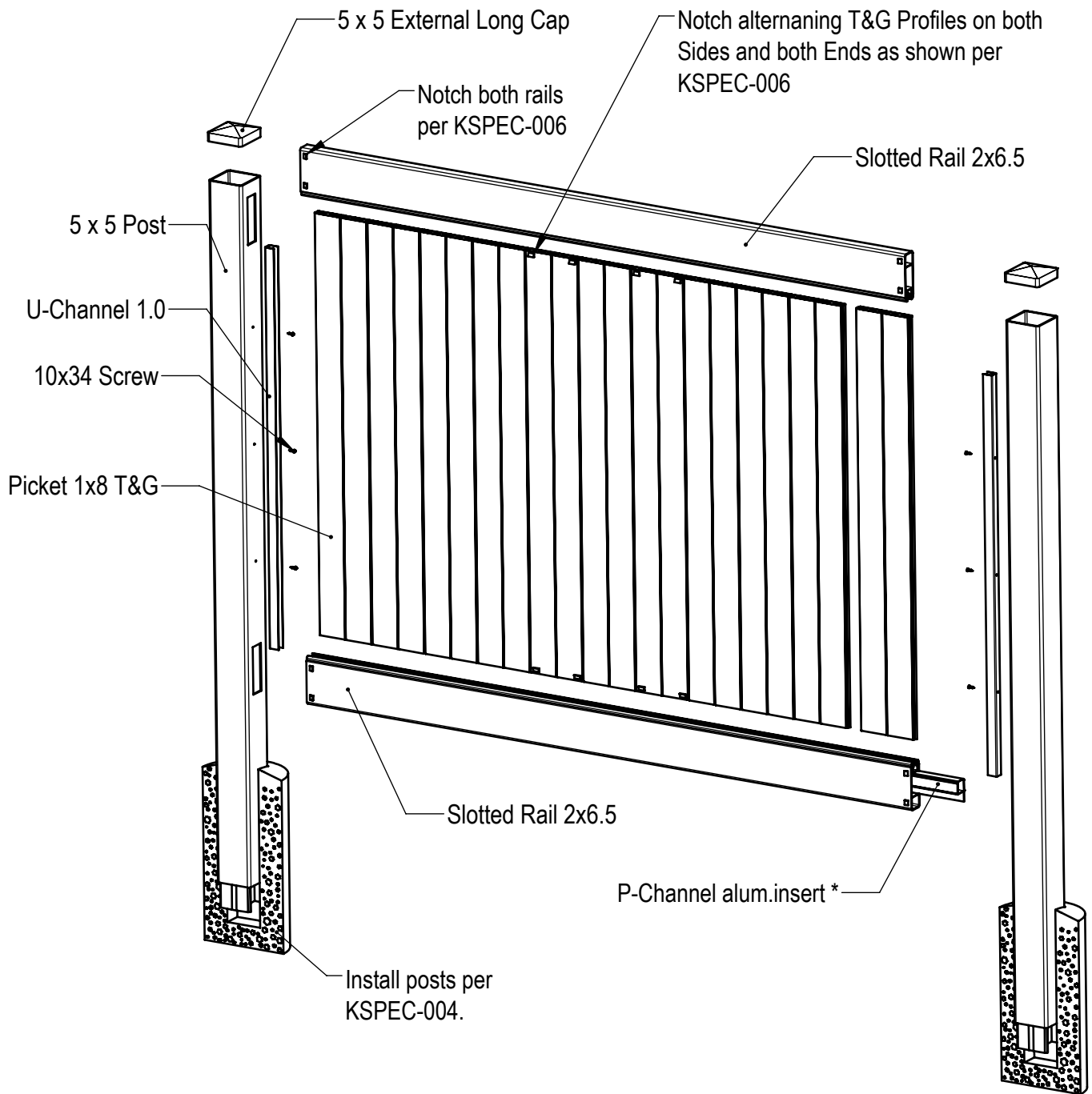
P345

Sheet 1 of 2

04-03-23

70" H x 94" W Performance Privacy

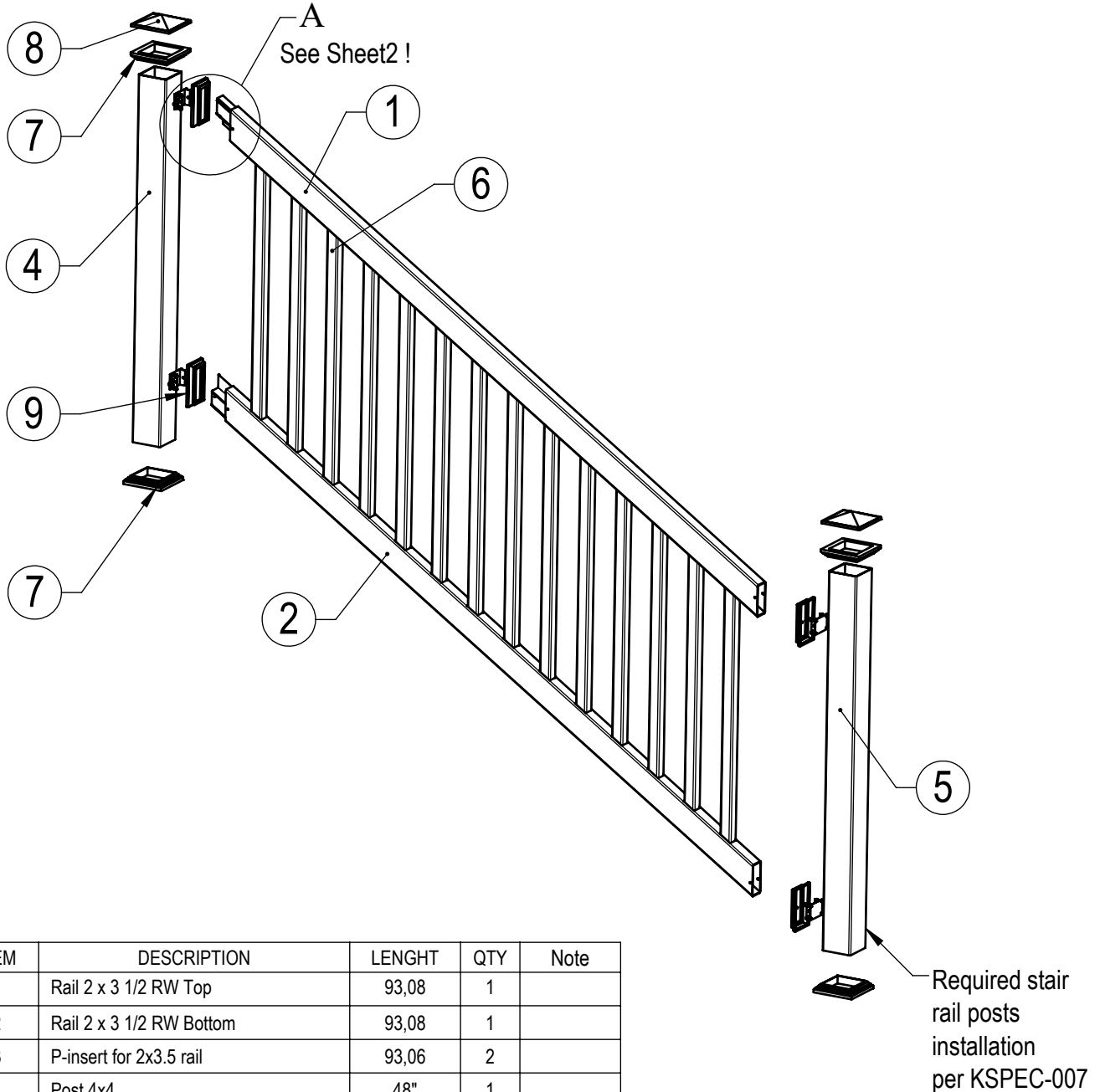
with 1 x 8 T&G Picket panels



* Alum. Insert in Bottom Rail is not Required on White, Tan or Sandstone. All other colors greater than 60" wide must install insert.

3 1/2' x 8' Standard Stair Rail (RW wall)

Required Material per 8' Section

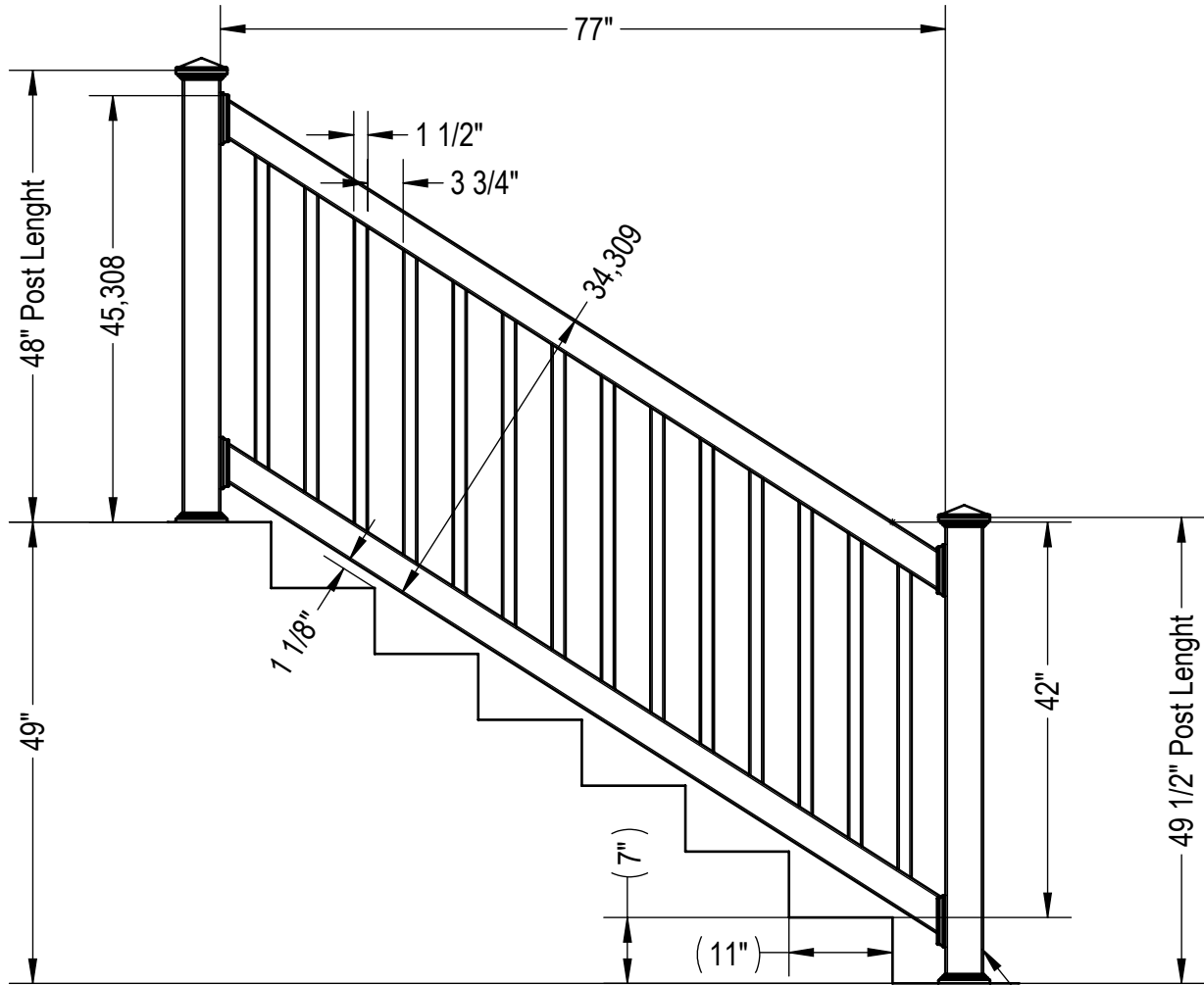


ITEM	DESCRIPTION	LENGHT	QTY	Note
1	Rail 2 x 3 1/2 RW Top	93,08	1	
2	Rail 2 x 3 1/2 RW Bottom	93,08	1	
3	P-insert for 2x3.5 rail	93,06	2	
4	Post 4x4	48"	1	
5	Post 4x4	49 1/2"	1	
6	Picket 1.5 x 1.5	34,94	14	
7	Trim 4 x 4 Classic		4	
8	Cap 4 x 4 Classic		2	
9	Bracket 2x3.5 Stair Trim OEM Base		4	Option 1
9	Bracket 2x3.5 Stair Trim LMT		4	Option 2

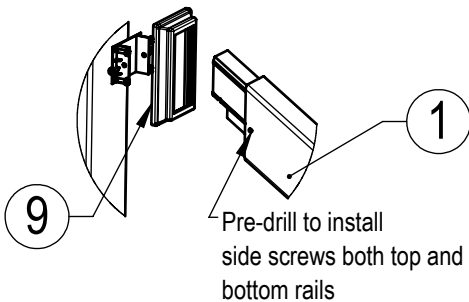
This Railing System has been tested in accordance with ICC-ES AC-174 (June 1, 2009) for compliance with 2006 International Building Code (IBC), 2006 International Residential Code (IRC).

3 1/2' x 8' Standard Stair Rail (RW wall)

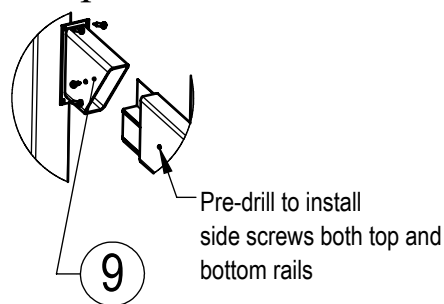
Required Material per 8' Section



Detail A (sheet 1)
Option 1

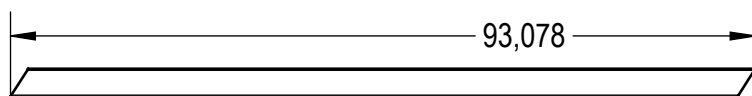


Detail A (Sheet 1)
Option 2

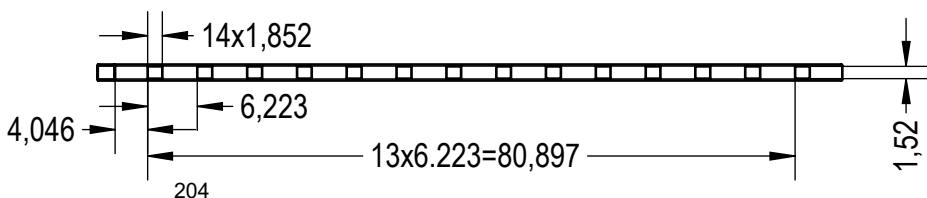
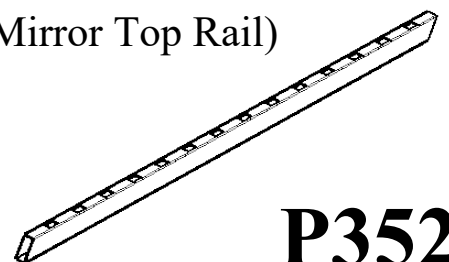


Required stair rail posts installation per KSPEC-007

Rail 2 x 3 1/2 RW Top



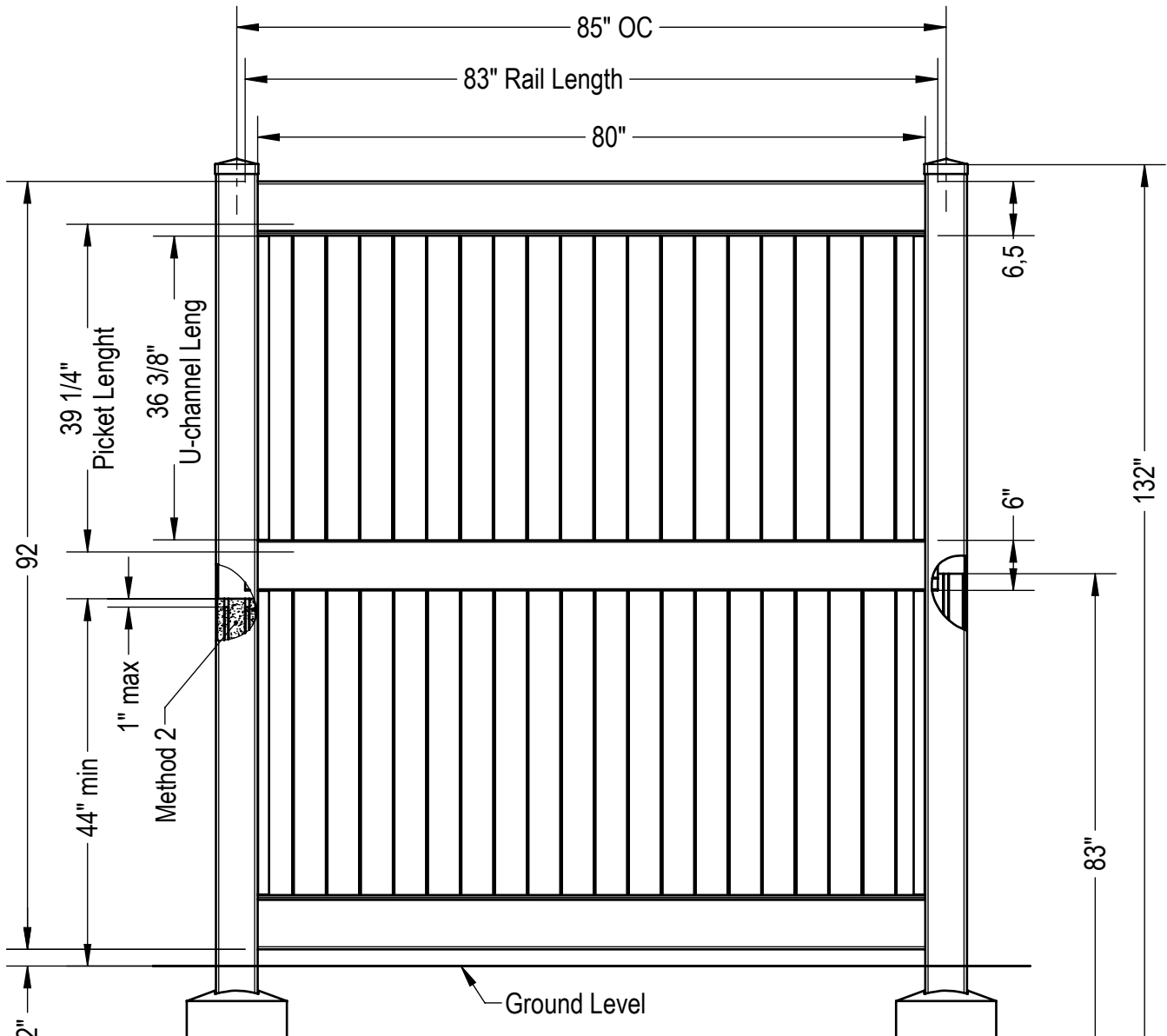
Rail 2 x 3 1/2 RW Bottom (Mirror Top Rail)



P352

8' Privacy Fence

7' width



QTY	PART NUMBER	LENGTH
2	5 x 5 Post	132"
2	2 x 6 1/2 Slotted Rail	83"
1	Rib Rail 2x6	83"
20	1 x 8 T&G Picket	39 1/4"
4	7/8 U-Channel	36 3/8"
12	#10 x 3/4" Screw	
2	5 x 5 External Long Cap	
2	5 x 5 Post Tower Insert *	83"
	Filler and rebar 1/2" *	

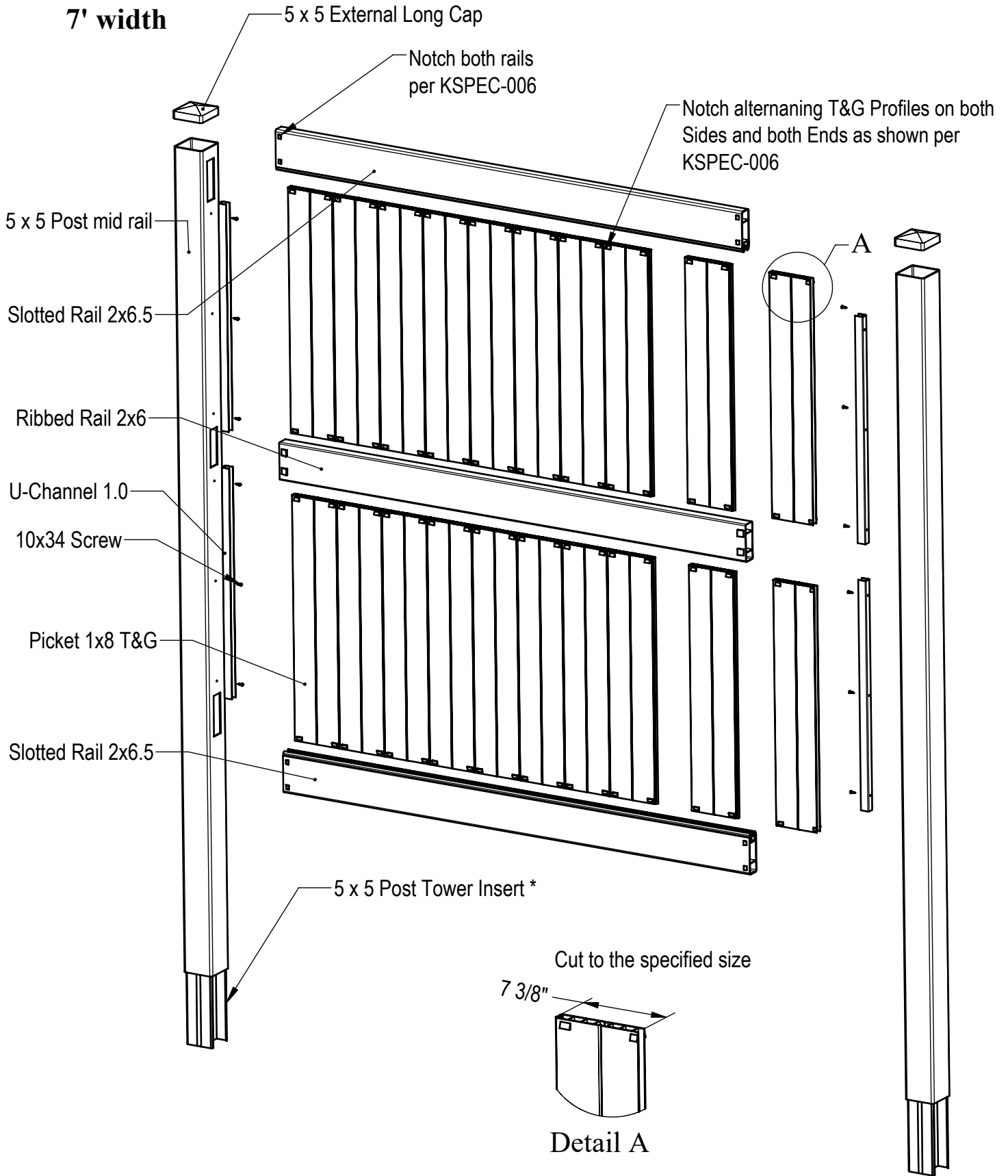
Install posts per KSPEC-004.

* Chose one Method Required for High Wind areas:
 Method 1 - Post Tower Insert;
 Method 2 - Concrete Filler with two 1/2 Diameter Rebar

P353

Sheet 1 of 2
 02-20-23

8' Privacy Fence

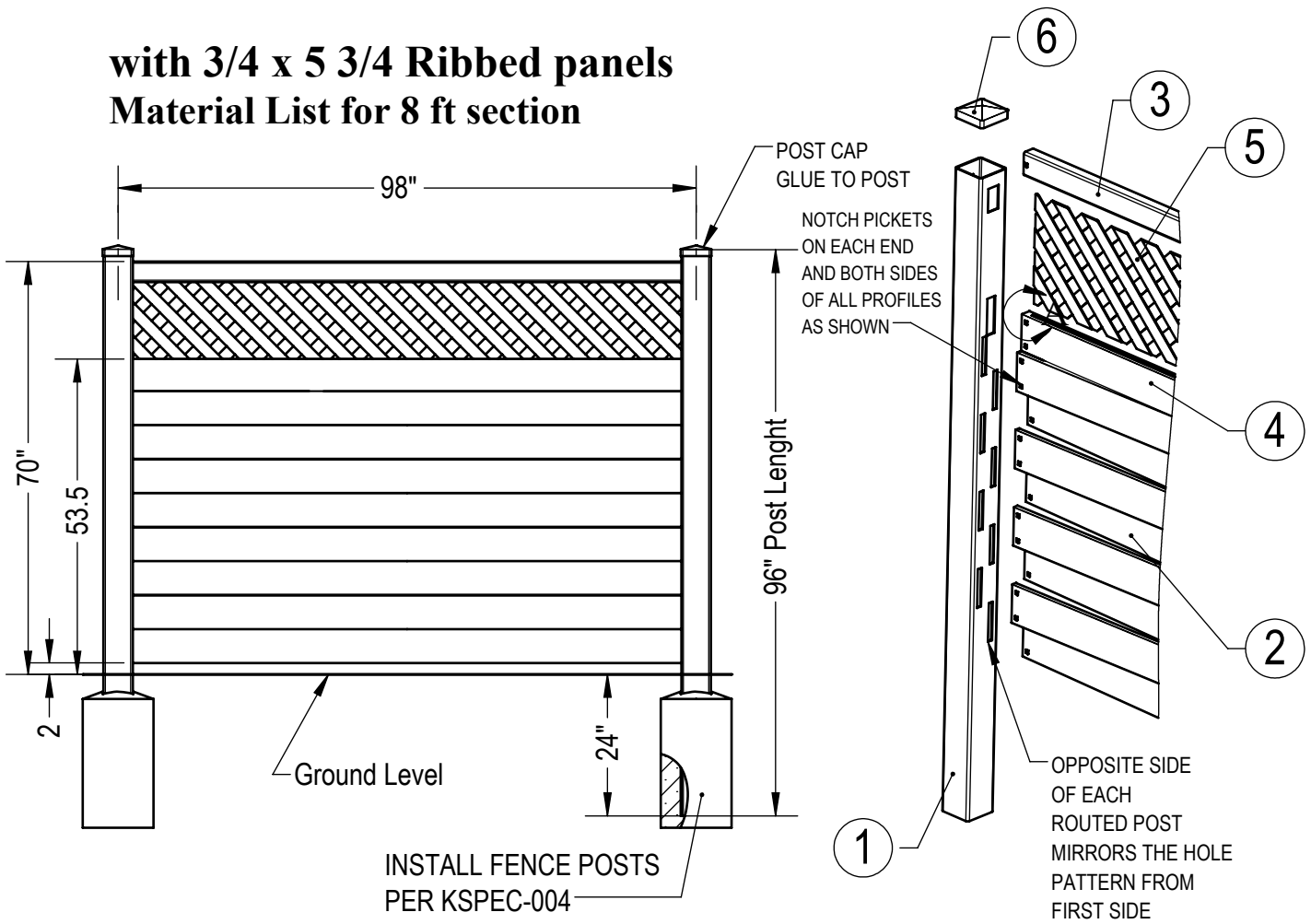


* Alum. Insert in Bottom Rail is not Required on White, Tan or Sandstone. All other colors greater than 60" wide must install insert.

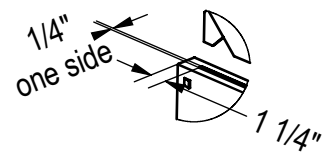
P353

6' Basket Weave Lattice Accent

with 3/4 x 5 3/4 Ribbed panels
Material List for 8 ft section

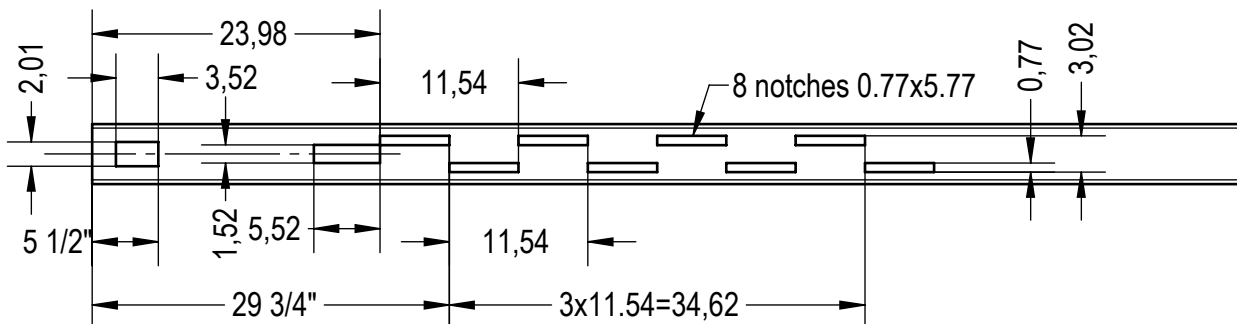


Detail A



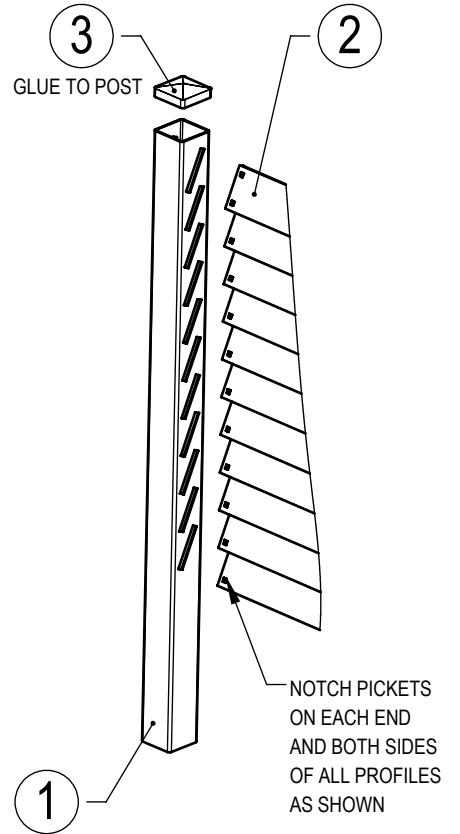
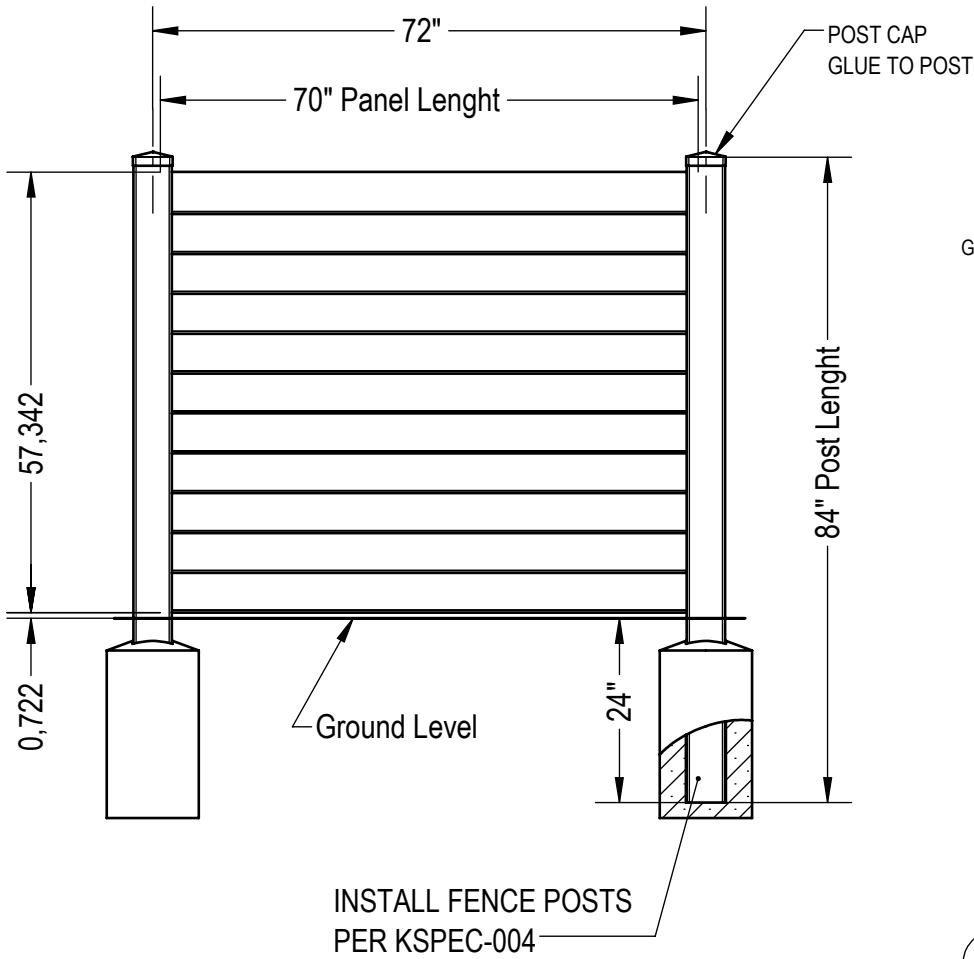
ITEM	DESCRIPTION	LENGTH	Part list	Note
1	Post 5 x 5	96"	2	
2	Ribbed 0.75 x 5.375	96"	8	
3	Rail 2x3.5 slotted for Lattice	96"	1	
4	Rib Notch Rail 1.5x5.5	96"	1	
5	Lattice fog gate 34x16	16x71.5	1	
6	External Long Cap 5 x 5		2	

Routing Post 5x5



P356

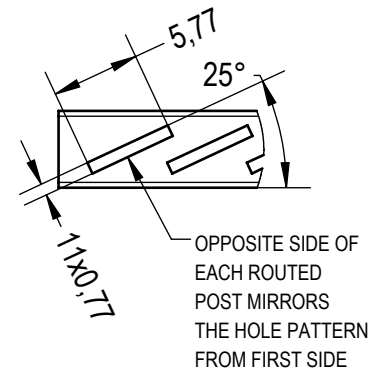
5' Louvered Fence



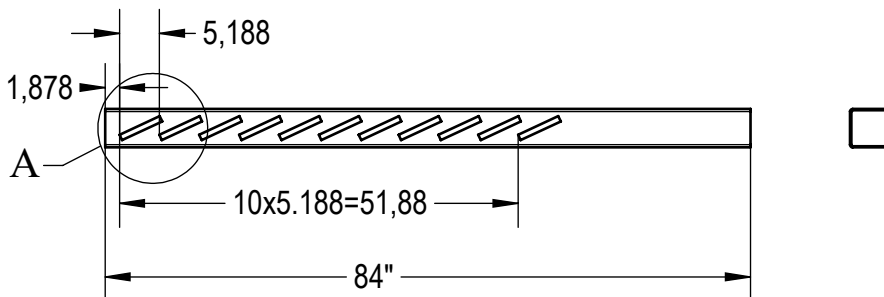
INSTALL FENCE POSTS PER KSPEC-004

ITEM	DESCRIPTION	LENGHT	QTY	Note
1	Post 5 x 5	84"	2	
2	Ribbed 0.75 x 5.375	70"	11	
3	External Long Cap 5 x 5		2	

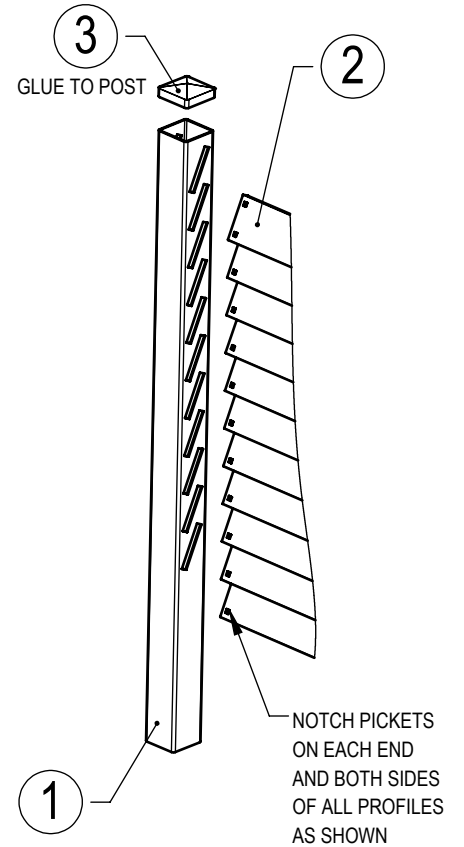
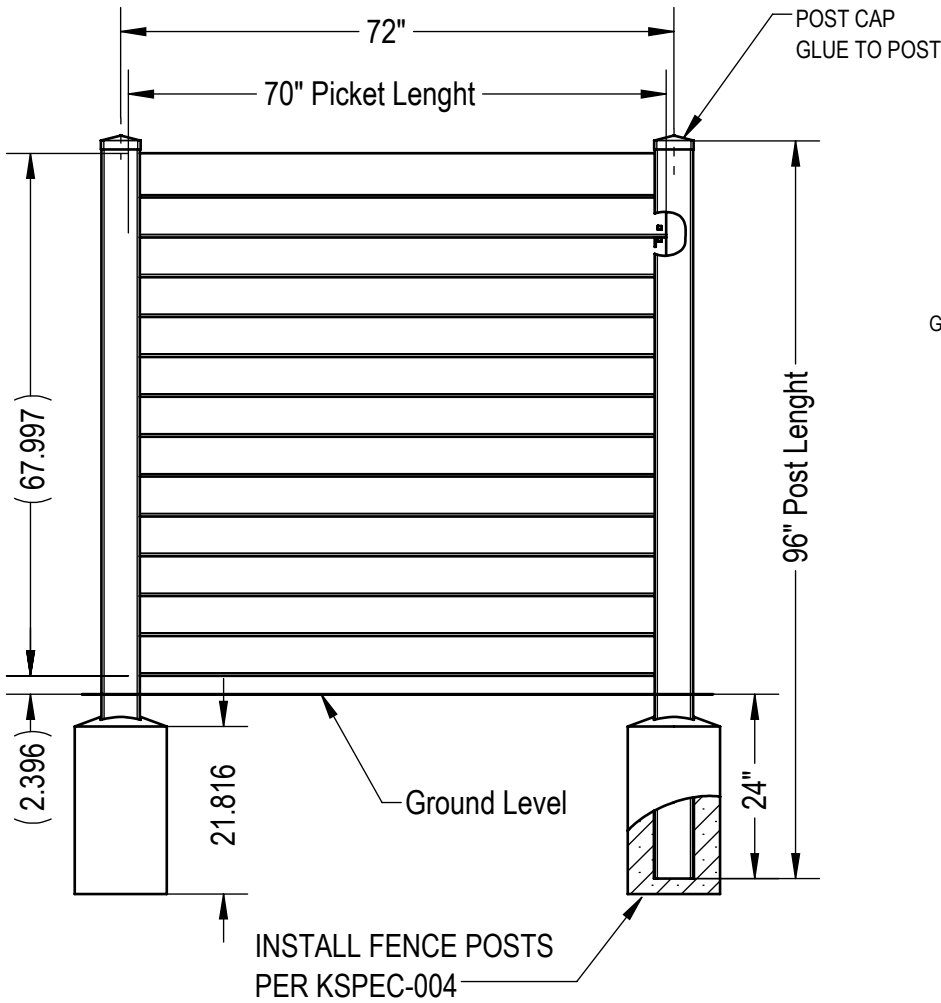
Detail A



Routing Post 5x5



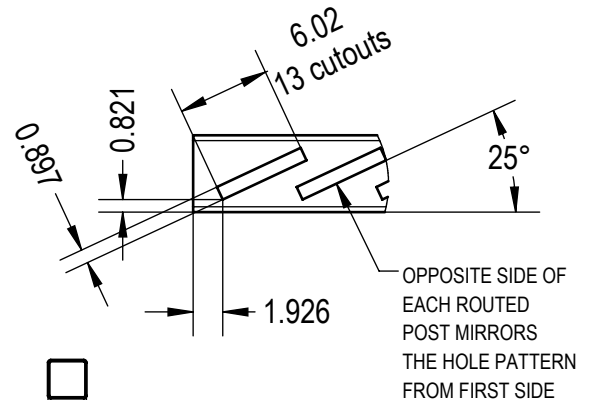
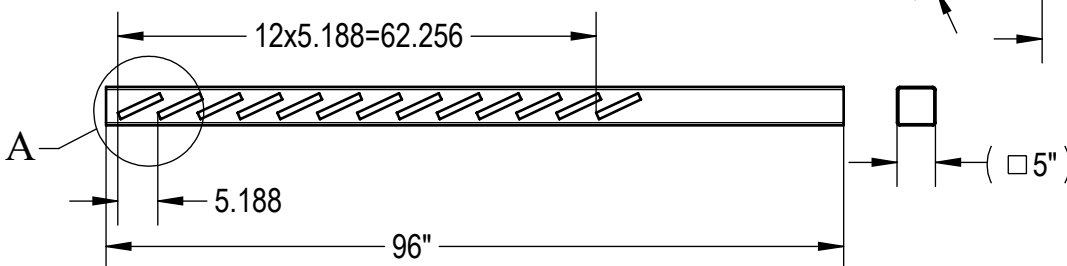
6' Louvered Fence



ITEM	DESCRIPTION	LENGHT	Part list	Note
1	Post 5 x 5	96"	2	
2	Picket 0.875 x 6	70"	13	
3	External Long Cap 5 x 5		2	

Detail A

Routing Post 5x5

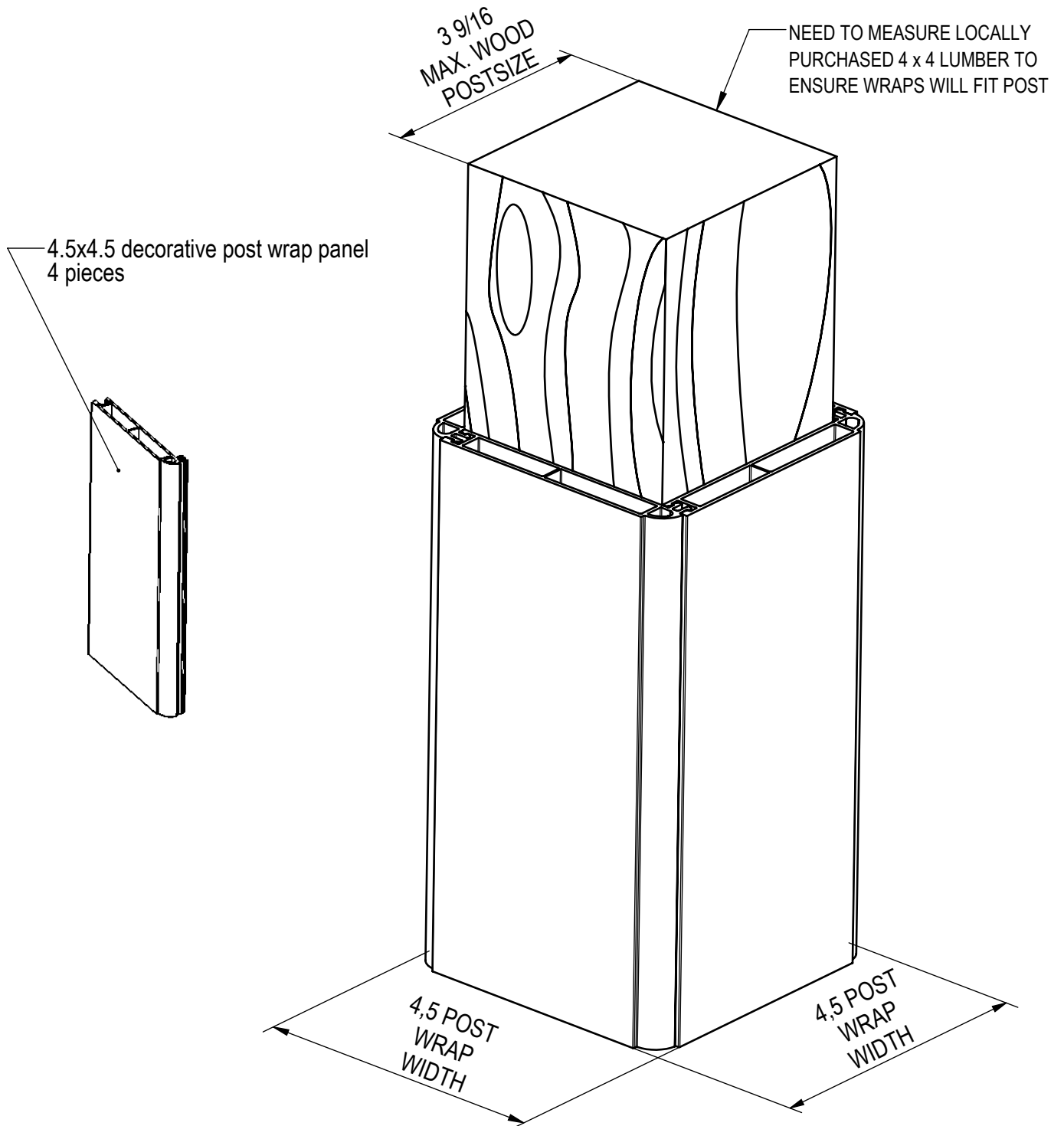


P360

Sheet 1 of 1
02-20-23

4 1/2 x 4 1/2 Post Wrap

for 4 x 4 Wood Post



Note

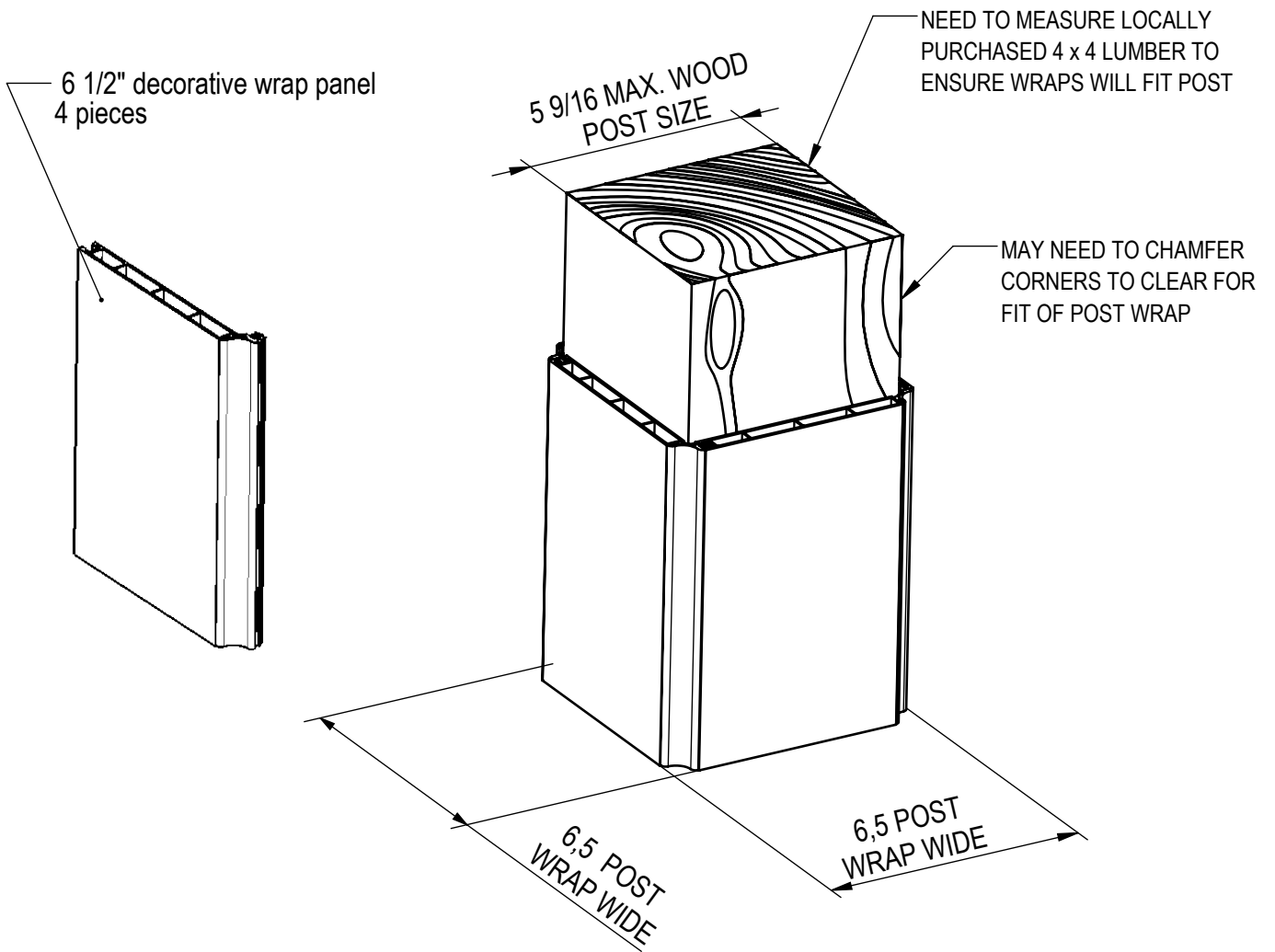
Only adjustable base trim
can be used at bottom of posts.

P362

Sheet 1 of 1
02-20-23

6 1/2 x 6 1/2 Post Wrap

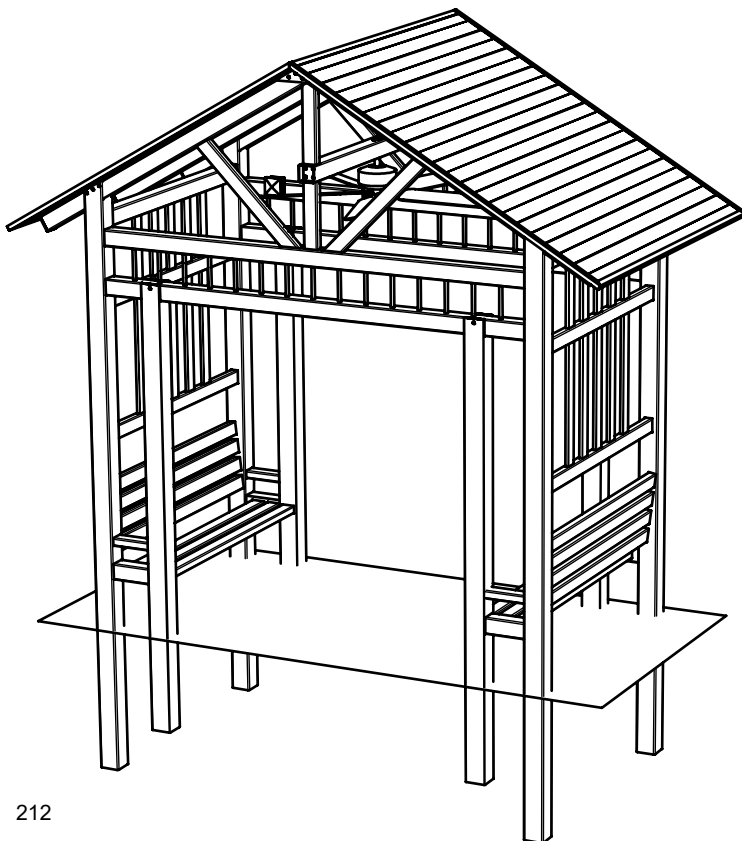
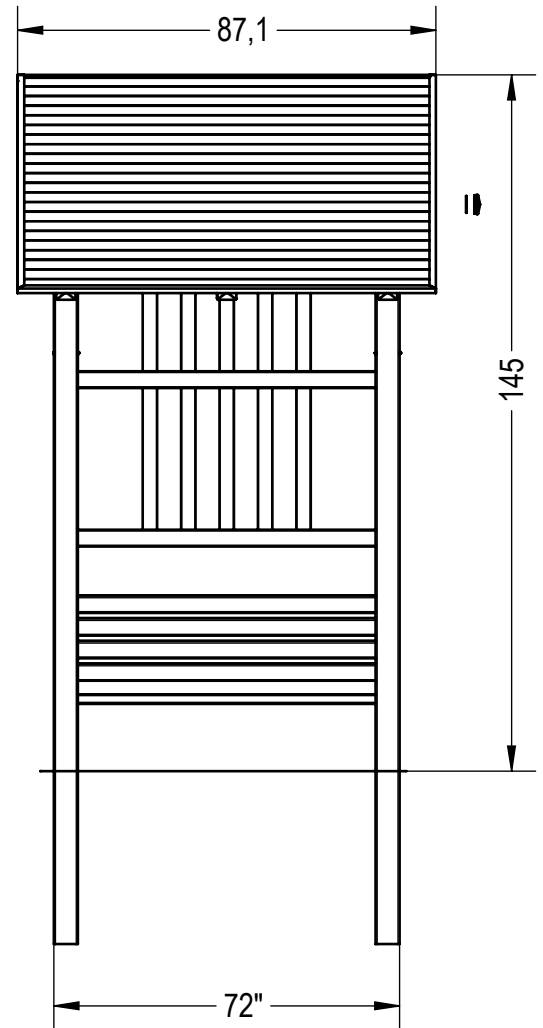
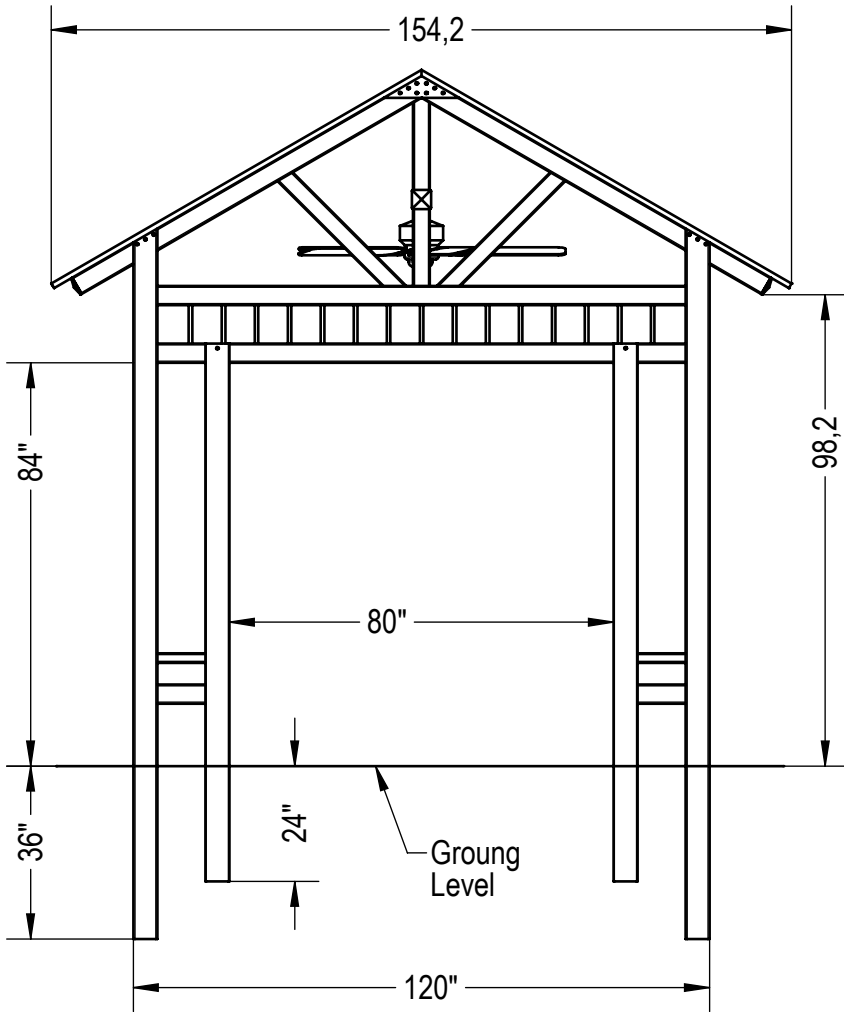
for 6 x 6 Wood Post



6' x 10' Covered Bench Seat



with Optional Fan and Lights

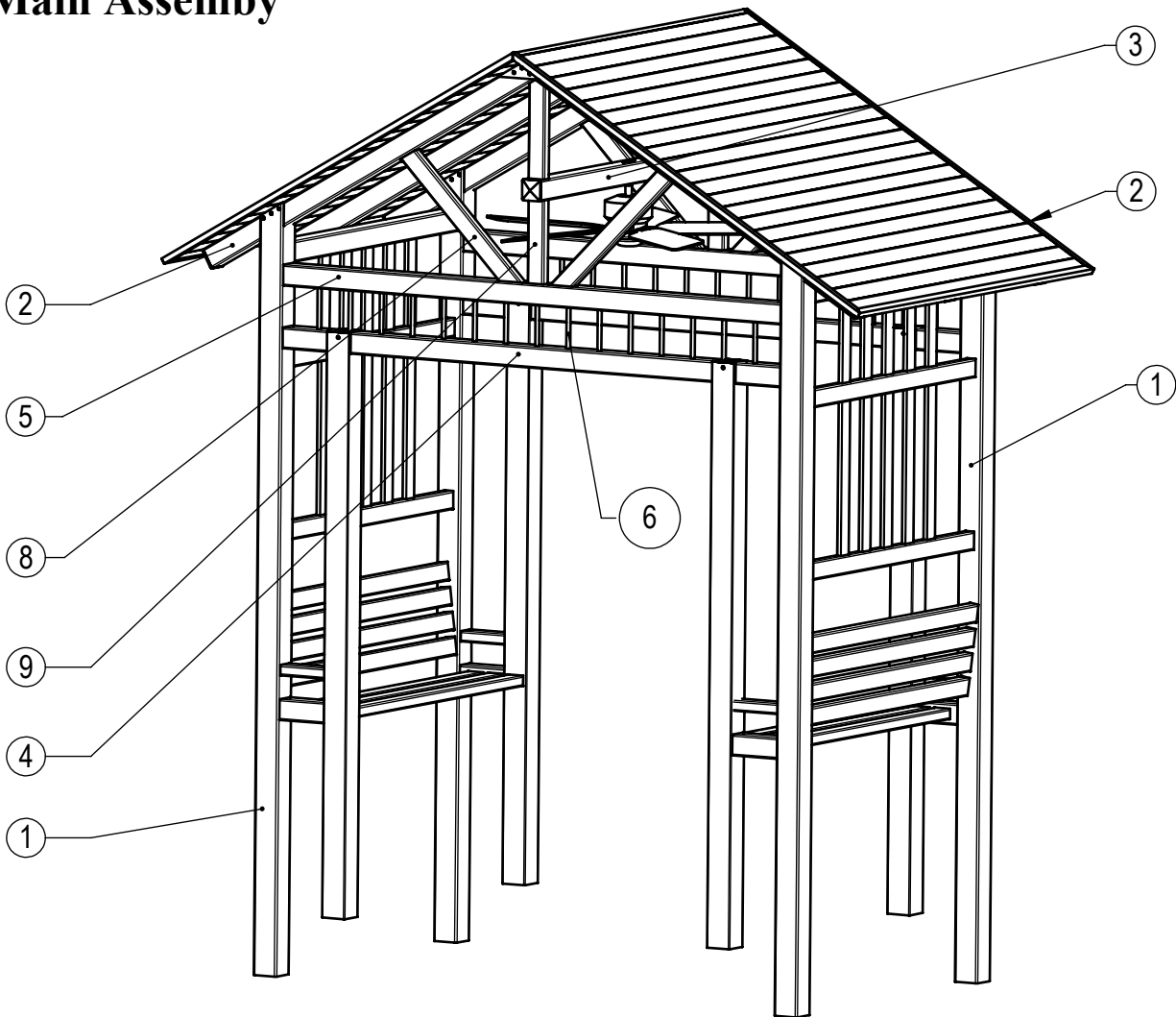


6' x 10' Covered Bench Seat



with Optional Fan and Lights

Main Assembly



ITEM	PART NUMBER	DESCRIPTION	LENGHT	QTY	NOTE
<u>Assemblies</u>					
1	BA	Bench Assembly		2	
2	RA	Roof Assembly		2	
3	FA	Fan Assembe		1	Optional
<u>Details</u>					
4	CB1	Roof Support 4 x 4	119 5/8"	2	
5	CB1.1	Roof Support 4 x 4	119 5/8"	2	
6	CB2	Aluminum Baluster D=0.75	14"	30	
7	CB3	Post Locating Tab		8	
8	CB4	Roof Support 2 x3.5	45"	4	
9	CB4.1	Roof Support 2 x3.5	47,539	2	
10	CB5	Roof Gusset		6	
11	CB6	Angle	84,400	1	
12		Screw #12-14 - 1,25		104	
13		Countersunk screw #8-18 x 0,75		16	

P365

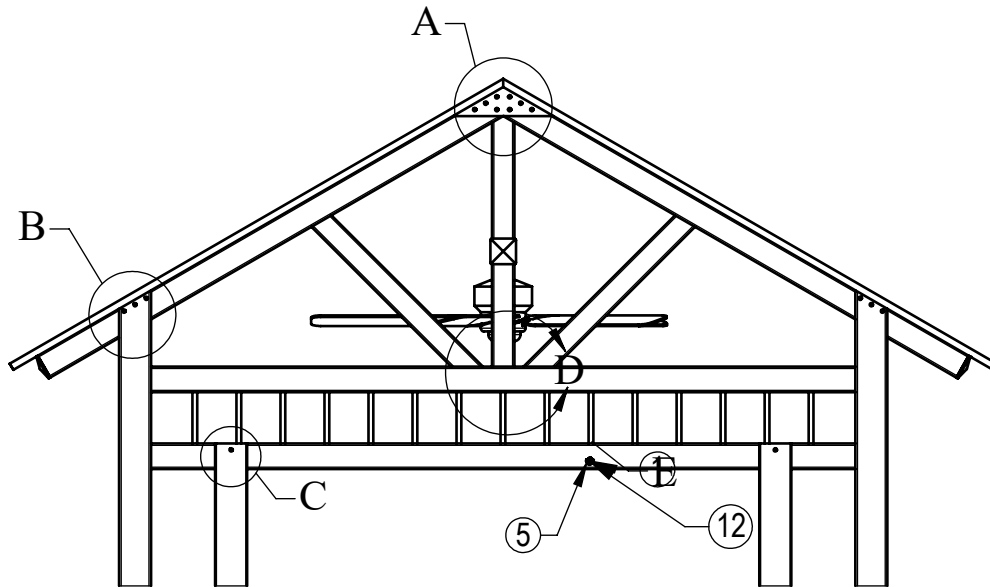
Sheet 2 of 11
01-29-23

6' x 10' Covered Bench Seat

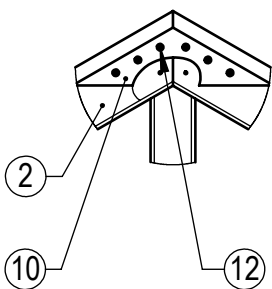


with Optional Fan and Lights

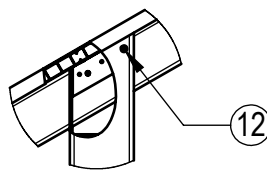
Main Assembly



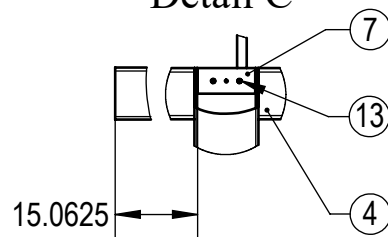
Detail A



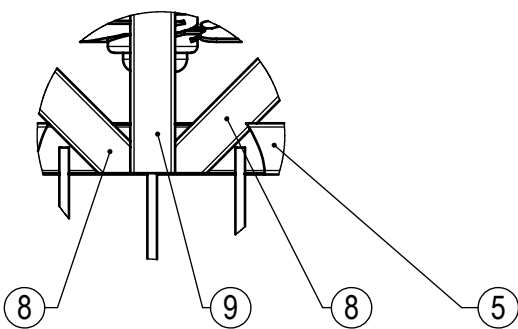
Detail B



Detail C



Detail D



Detail E

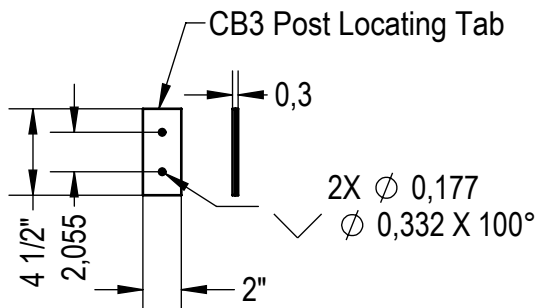
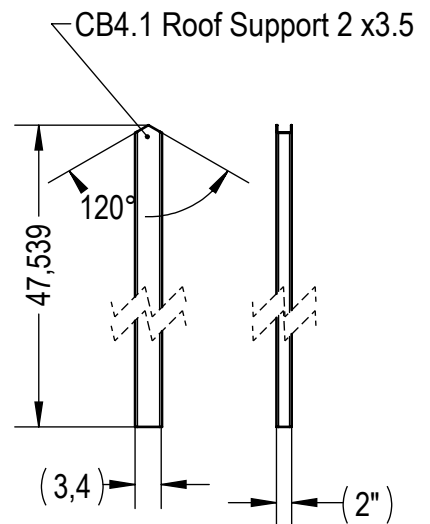
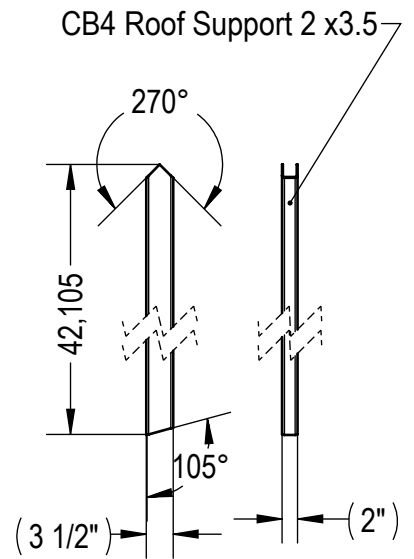
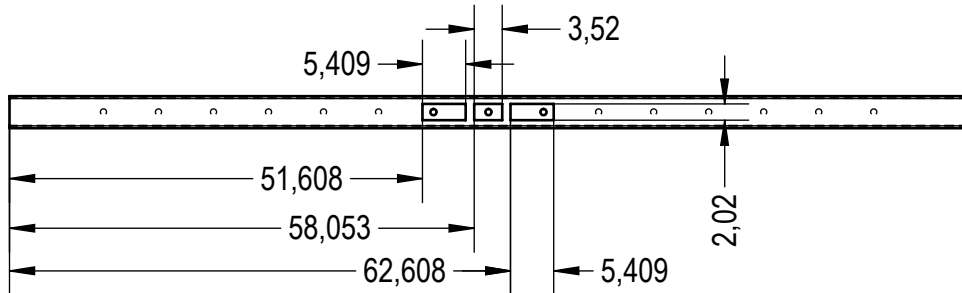
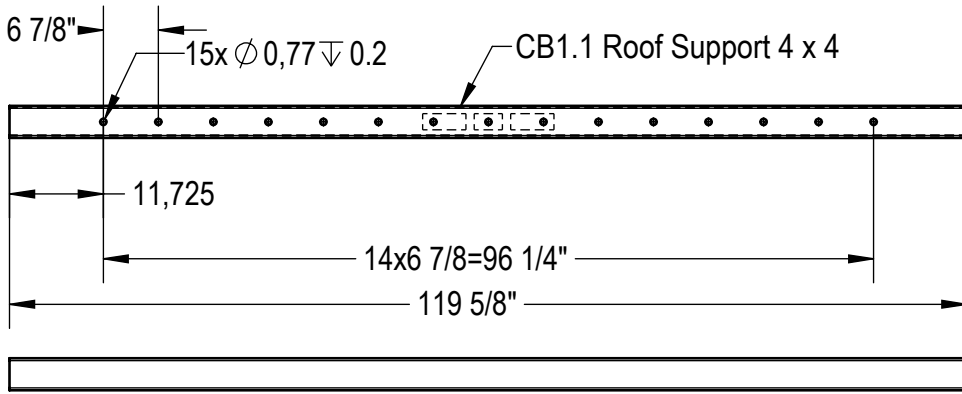
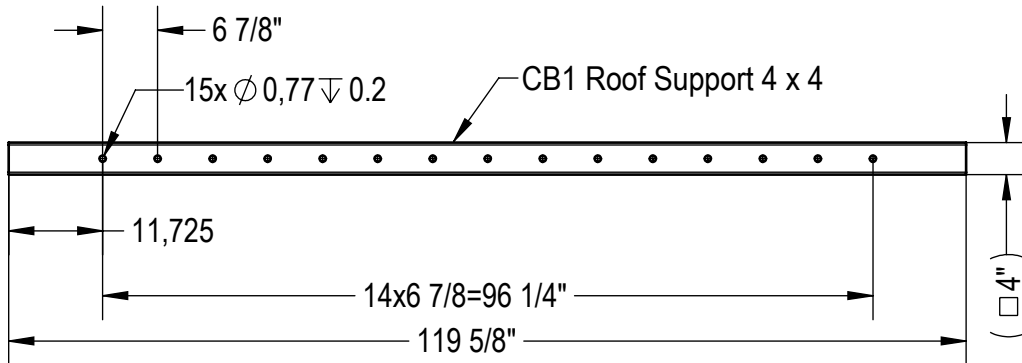
Install 4 Screws
through Access
Hole in to Roof Support

6' x 10' Covered Bench Seat

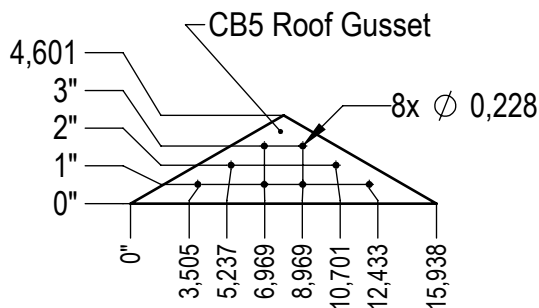


with Optional Fan and Lights

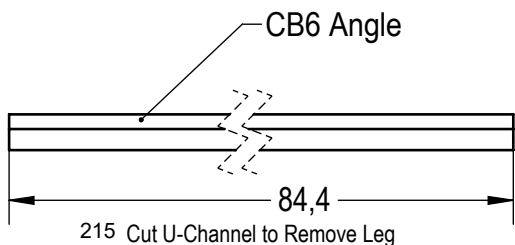
Main Assembly



Cut From 5 x 5 Post



Cut From 5 x 5 Post



215 Cut U-Channel to Remove Leg

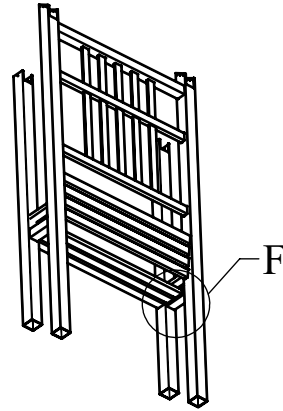
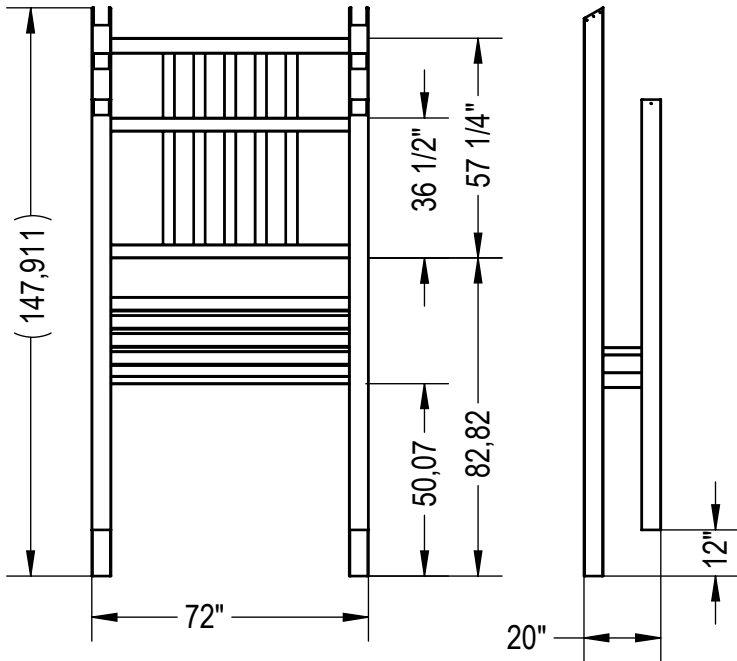
P365

6' x 10' Covered Bench Seat

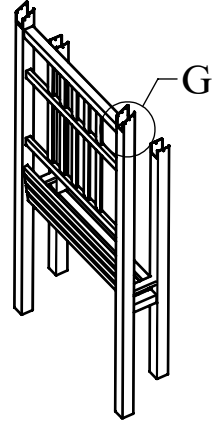


with Optional Fan and Lights

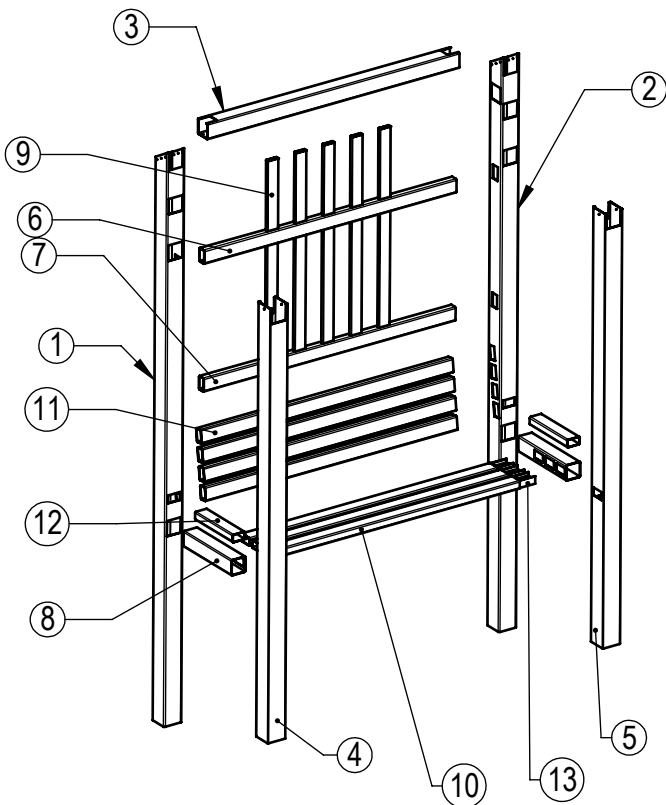
Bench Assembly



Detail F



Detail G



#12 x 2" Screw to hold seat in seat supports
Pre-drill 1/8" goes into aluminum

#12 x 1 1/4" Screw to hold seat support in corner post

#12 x 1 1/4" Screw to hold roof support in corner post

ITEM	PART NUMBER	DESCRIPTION	LENGHT	QTY	Note
1	BA1	Back Post 5 x 5 right	148"	1	
2	BA1.1	Back Post 5 x 5 Left	148"	1	
3	BA2	Roof Support 4 x 4	71,688	1	
4	BA3	Front Post 5 x 5 right	112"	1	
5	BA3.1	Front Post 5 x 5 left	112"	1	
6	BA4	Infill Rail 2 x 3.5	71,787	1	
7	BA4.1	Infill Rail 2 x 3.5	71,688	1	
8	BA5	Bench Support 4 x 4	19,688	2	
9	BA6	Rail 0.875x3	54.5	5	
10	BA7	Rail 2x3.5 Seat	70,725	3	
11	BA7.1	Rail 2x3.5 Seat	70,73	4	
12	BA7.2	Rail 2x3.5 Seat	15 1/2"	2	
13	BA8	H-Channel Insert	70 5/8"	3	

P365

Sheet 5 of 11
01-29-23

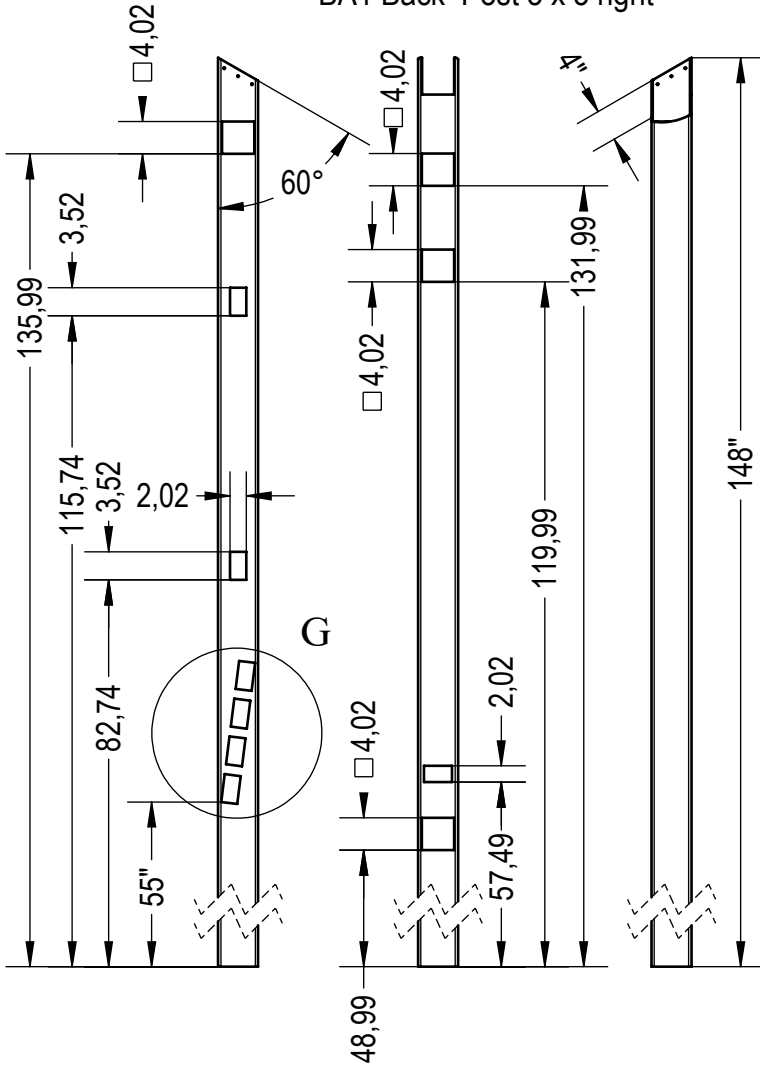
6' x 10' Covered Bench Seat



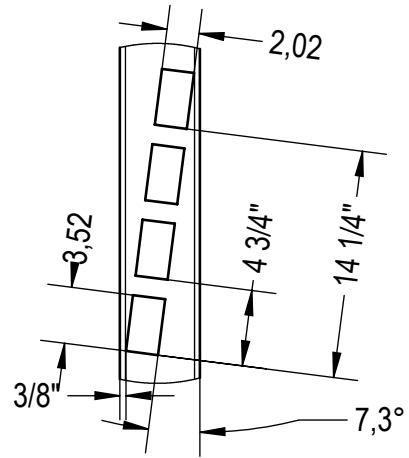
with Optional Fan and Lights

Bench Assembly

BA1 Back Post 5 x 5 right



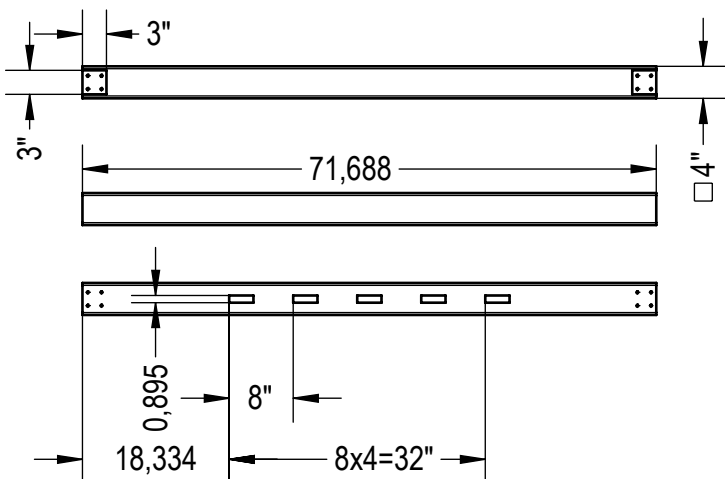
Detail G



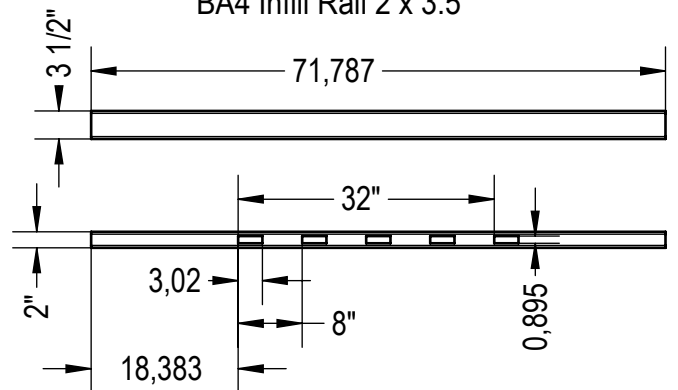
BA1.1 Back Post 5 x 5 Left
Mirror from BA1



BA2 Roof Support 4 x 4



BA4 Infill Rail 2 x 3.5



The part BA4.1 has holes 3.02x0.895 through.
The rest is the same as in part BA4

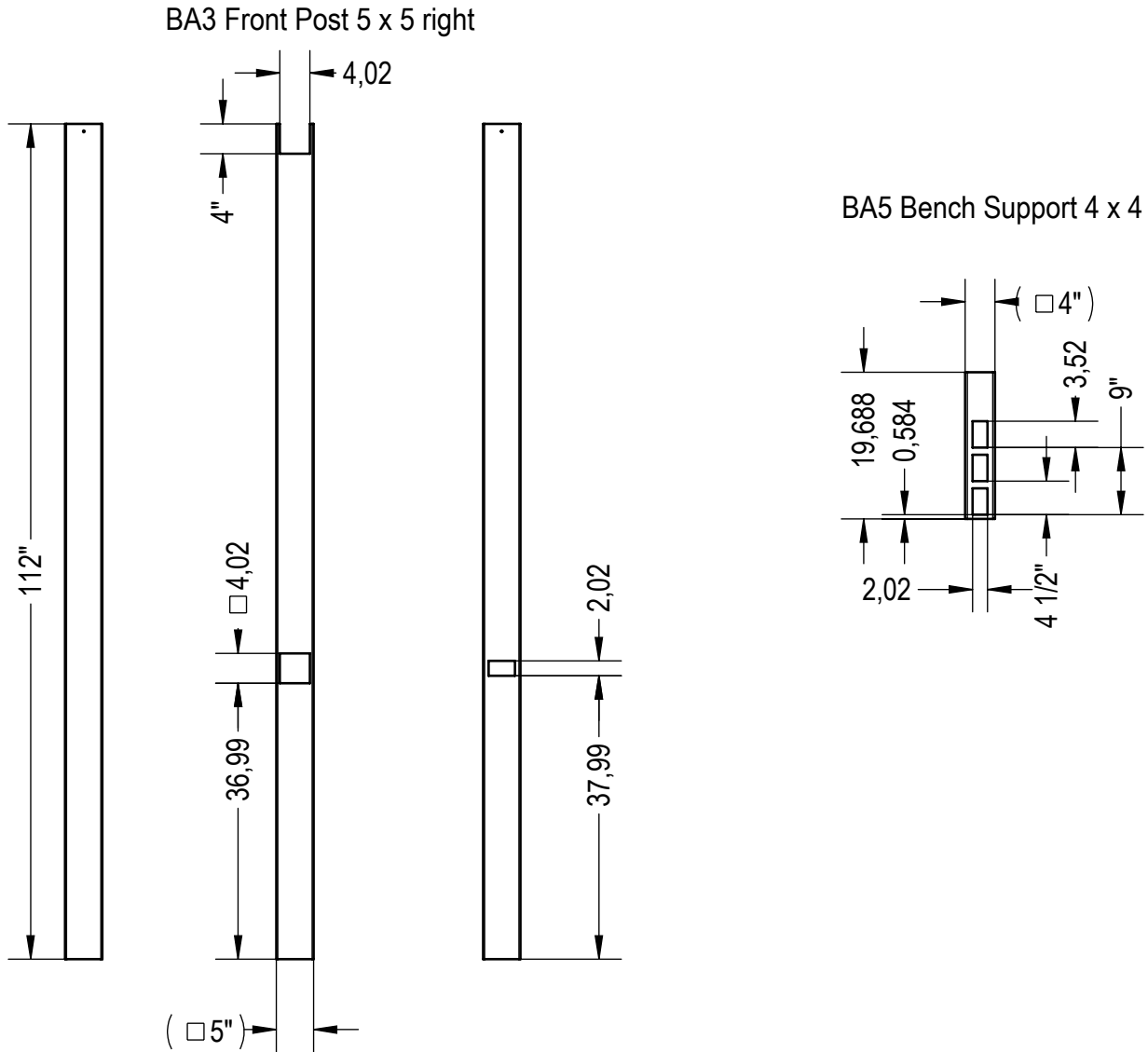
P365

6' x 10' Covered Bench Seat



with Optional Fan and Lights

Bench Assembly



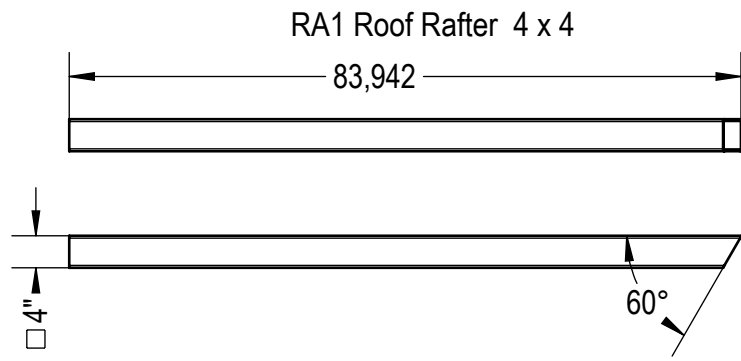
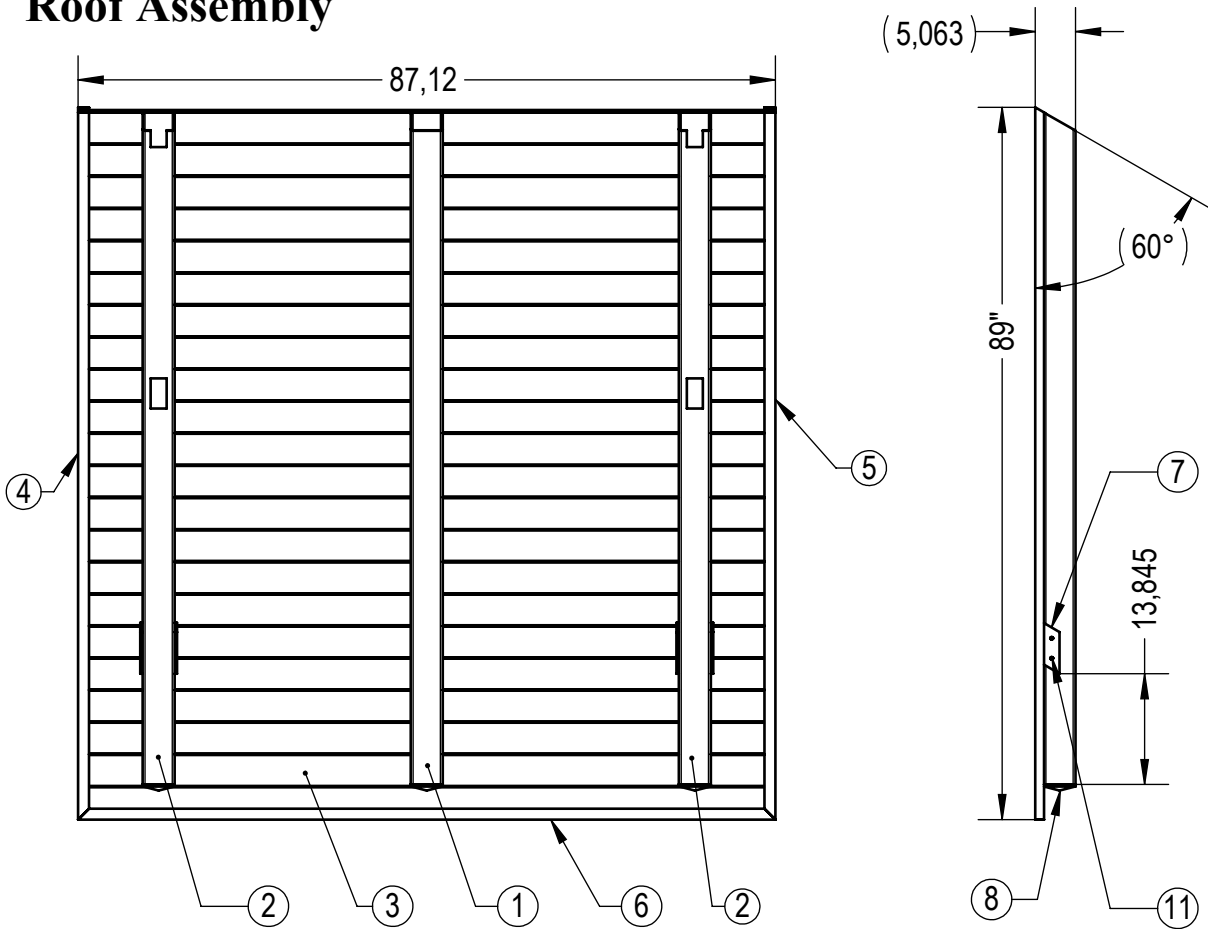
BA3.1 - Mirror from BA3

6' x 10' Covered Bench Seat

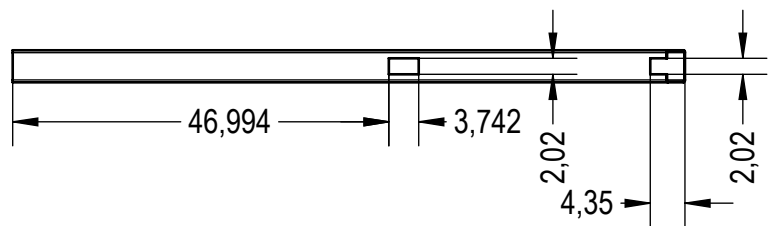
with Optional Fan and Lights



Roof Assembly



ITEM	PART NUMBER	DESCRIPTION	LENGTH	QTY	Note
1	RA1	Roof Rafter 4 x 4	84"	1	
2	RA1.1	Roof Rafter 4 x 4	84"	2	
3	RA2	T&G Panel 1x8	87"	11	
4	RA3	1 inch U-Channel	89"	1	
5	RA3.1	1 inch U-Channel	89"	1	
6	RA3.2	1 inch U-Channel	89"	1	
7	RA5	Roof Locating Tab		4	
8		Internal Cap 4x4		3	
9		Screw #6x 2		N/A	
10		Screw #8 x 0,75		N/A	
11		Countersunk screw #8-18 x 0,75		8	



P365

Sheet 8 of 11
01-29-23

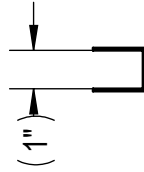
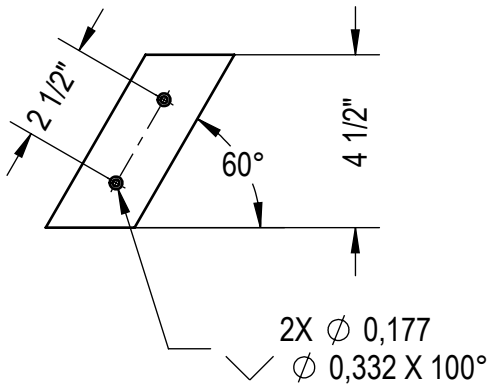
6' x 10' Covered Bench Seat



with Optional Fan and Lights

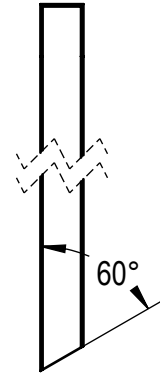
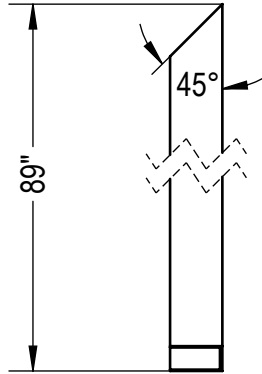
Roof Assembly

RA5 Roof Locating Tab
Cut From 5 x 5 Post

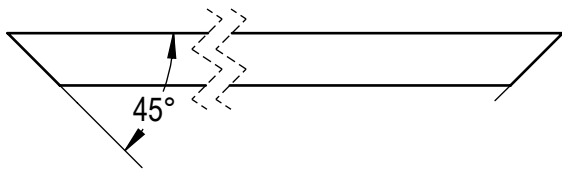
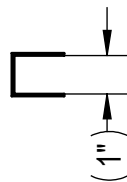
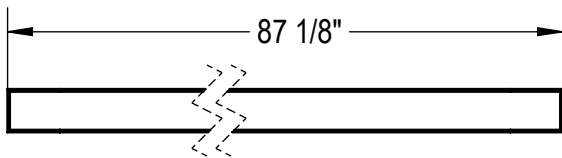


RA3 1 inch U-Channel
(Pictured)

RA3.1 - Mirror from RA3



RA3.2 1 inch U-Channel

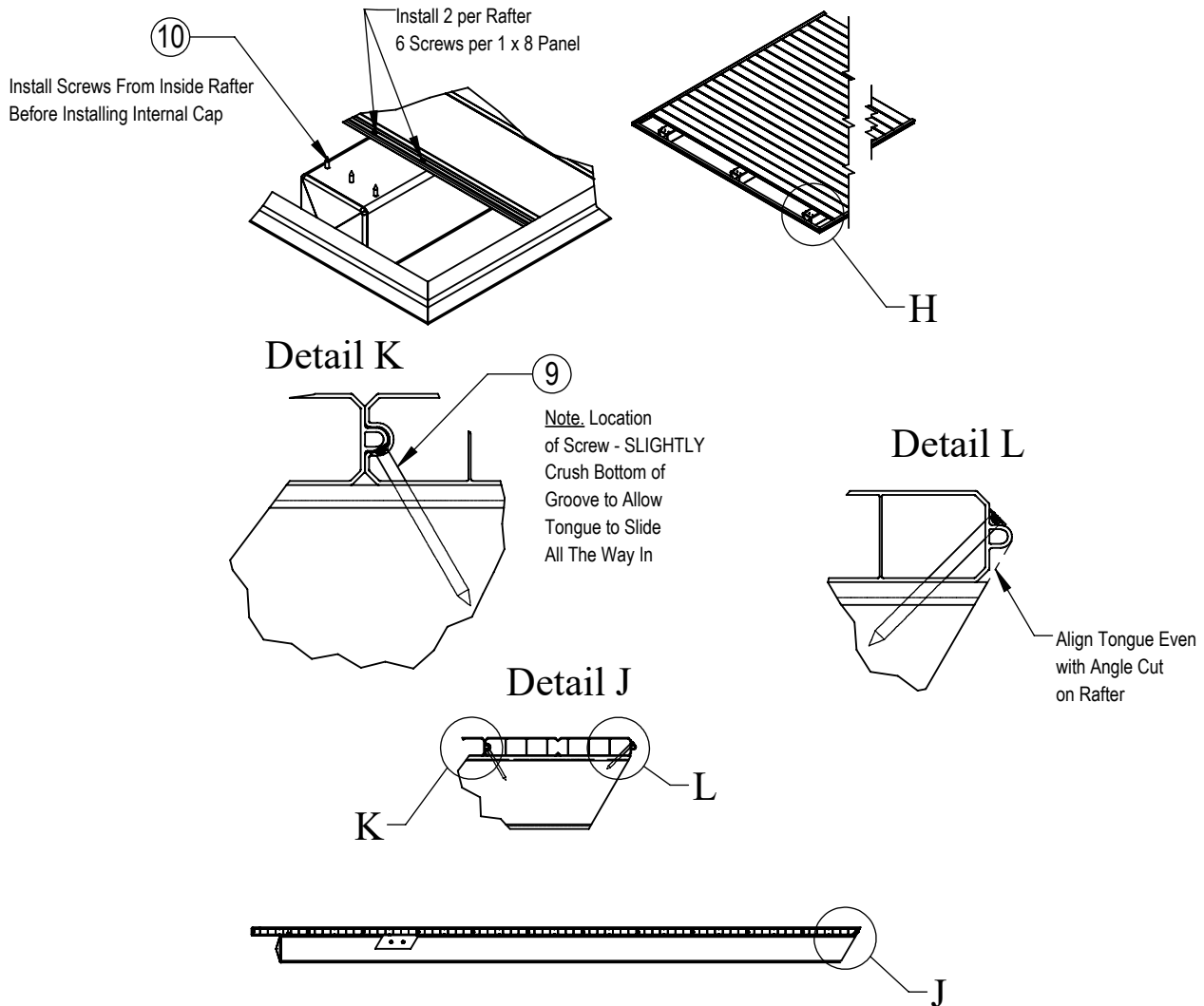


6' x 10' Covered Bench Seat



with Optional Fan and Lights

Roof Assembly

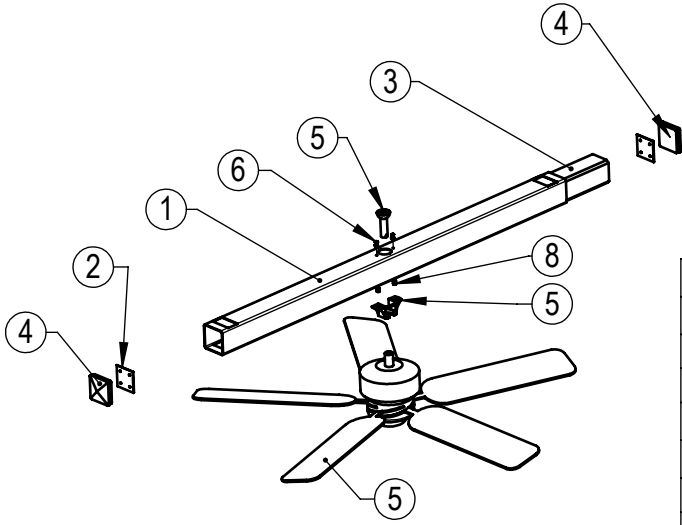


6' x 10' Covered Bench Seat



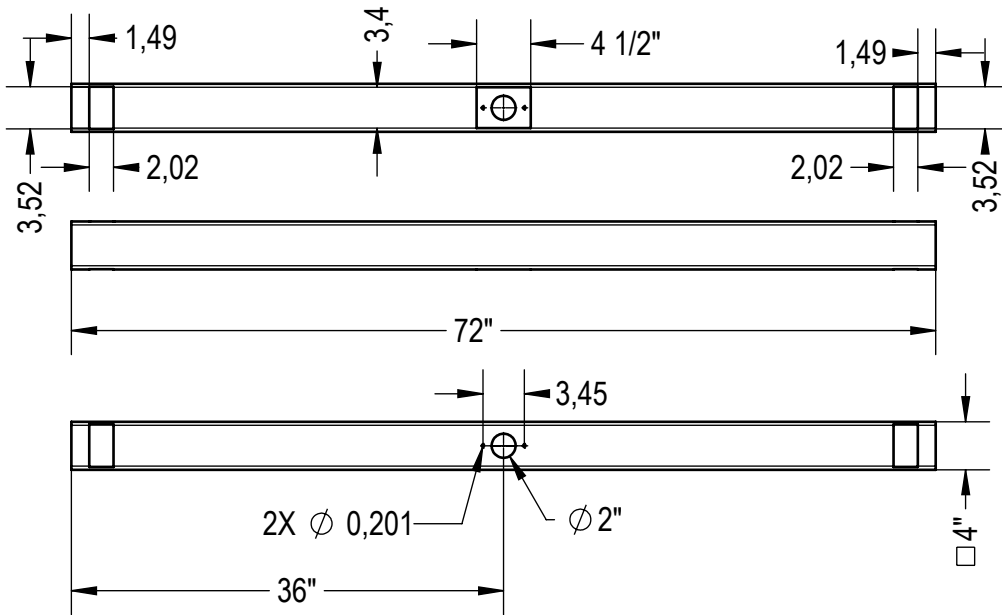
with Optional Fan and Lights

Fan Assembly



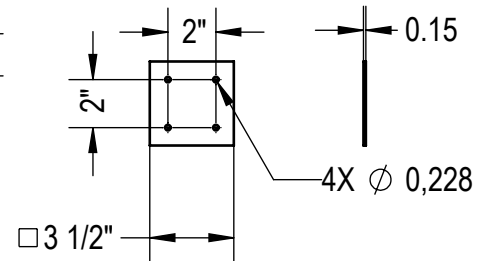
ITEM	PART NUMBER	DESCRIPTION	LENGHT	QTY	Note
1	FA1	Fan Support 4 x 4	72"	1	
2	FA2	Fan Locator Plate		2	
3	FA3	Aluminum Insert for 4x4 Post	60"	1	
4		Internal Cap 4x4		2	
5		Ceiling fan		1	
6		Screw #10-32x0.75		2	
7		Washer 10-A		4	
8		Nut #10-32		2	

FA1 Fan Support 4 x 4

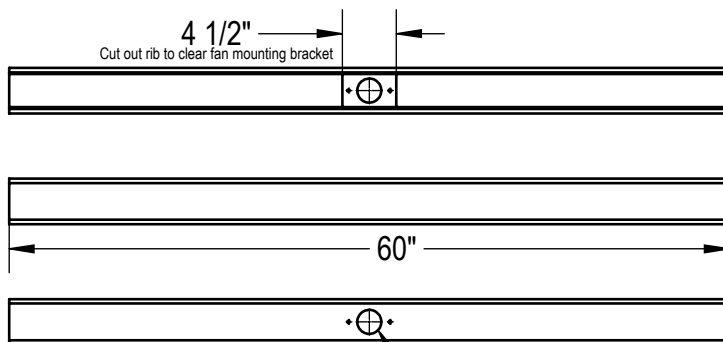


FA2 Fan Locator Plate

Used to hold fan support rail



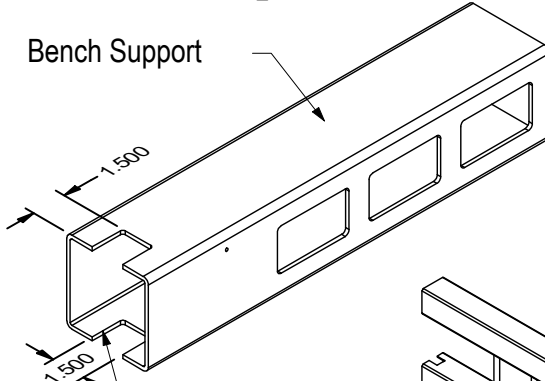
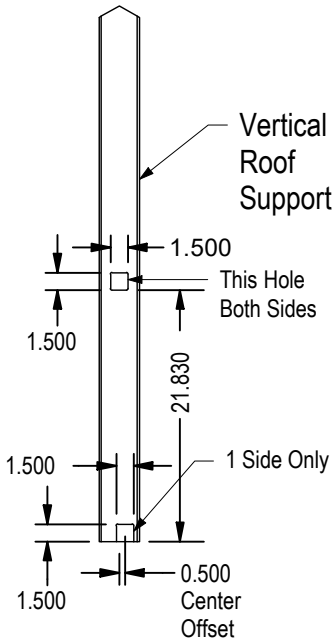
FA3 Aluminum Insert for 4x4 Post



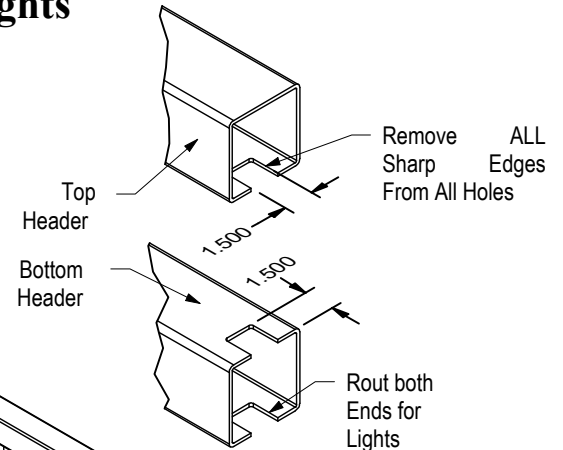
Fan mounting elements are the same as parts FA1.

6' x 10' Covered Bench Seat

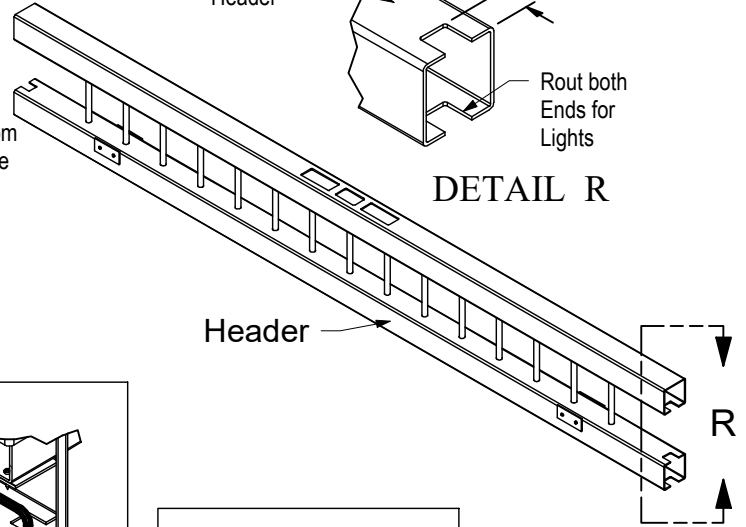
with Optional Fan and Lights



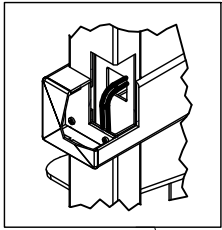
Remove All Sharp Edges from All Routed Holes Where Wire Runs Through to Prevent Damage to Wire



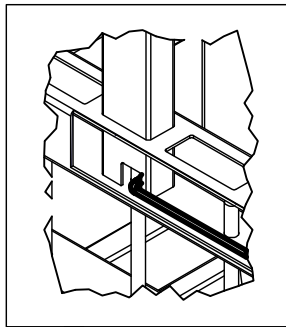
DETAIL R



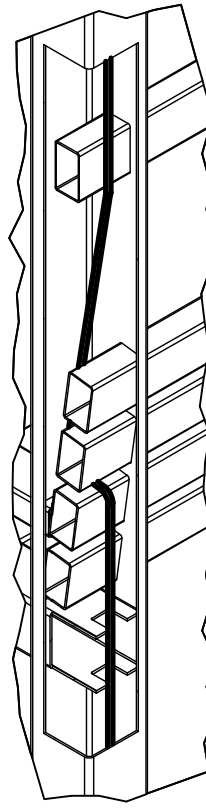
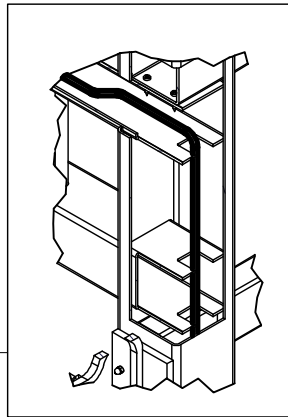
DETAIL V



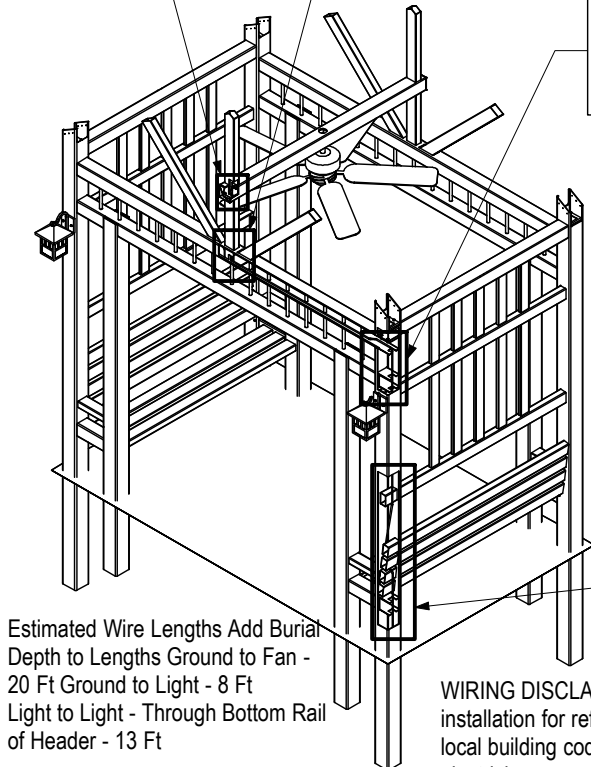
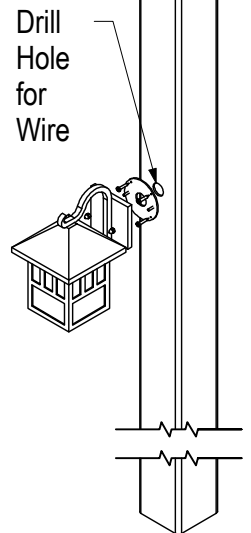
DETAIL U



DETAIL T



DETAIL S



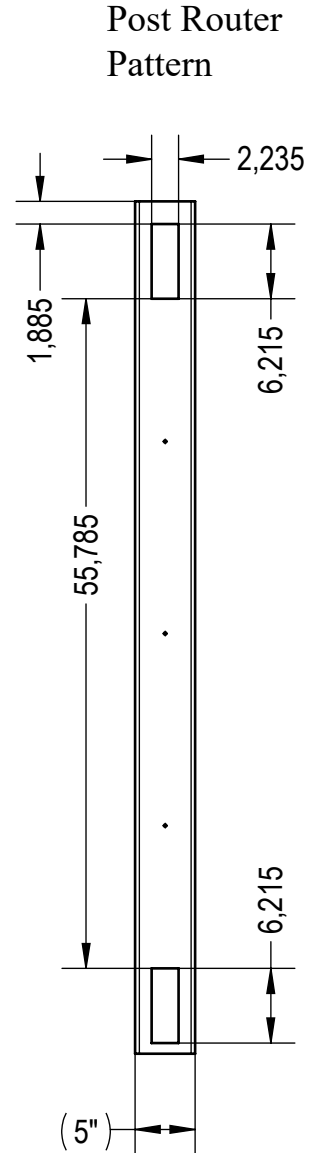
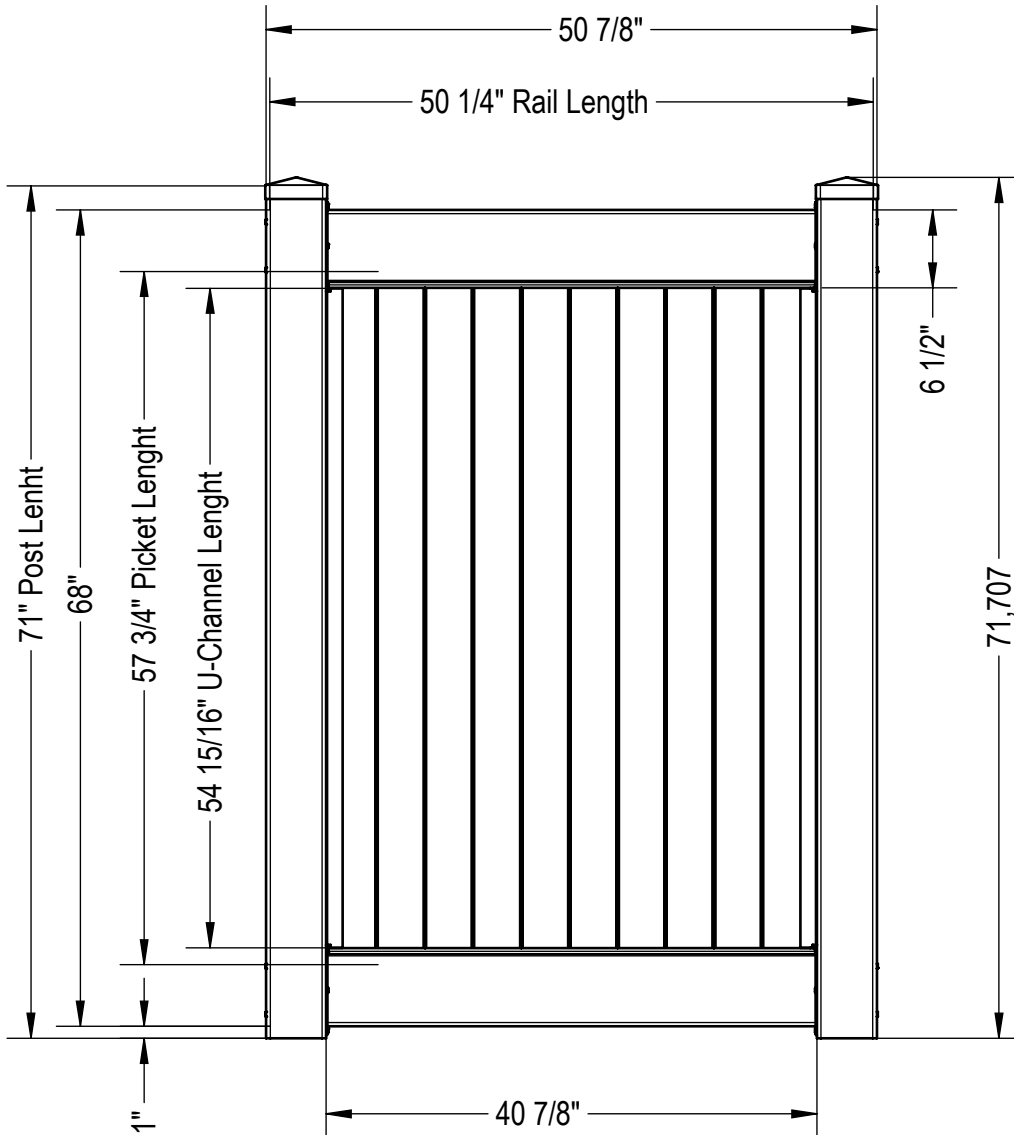
Estimated Wire Lengths Add Burial Depth to Lengths Ground to Fan - 20 Ft Ground to Light - 8 Ft Light to Light - Through Bottom Rail of Header - 13 Ft

WIRING DISCLAIMER: Wiring route and installation for reference only. Follow all local building codes. Use a qualified electrician.

6' x 4' Wide Privacy Gate



Matches K28D fence found in Section 6

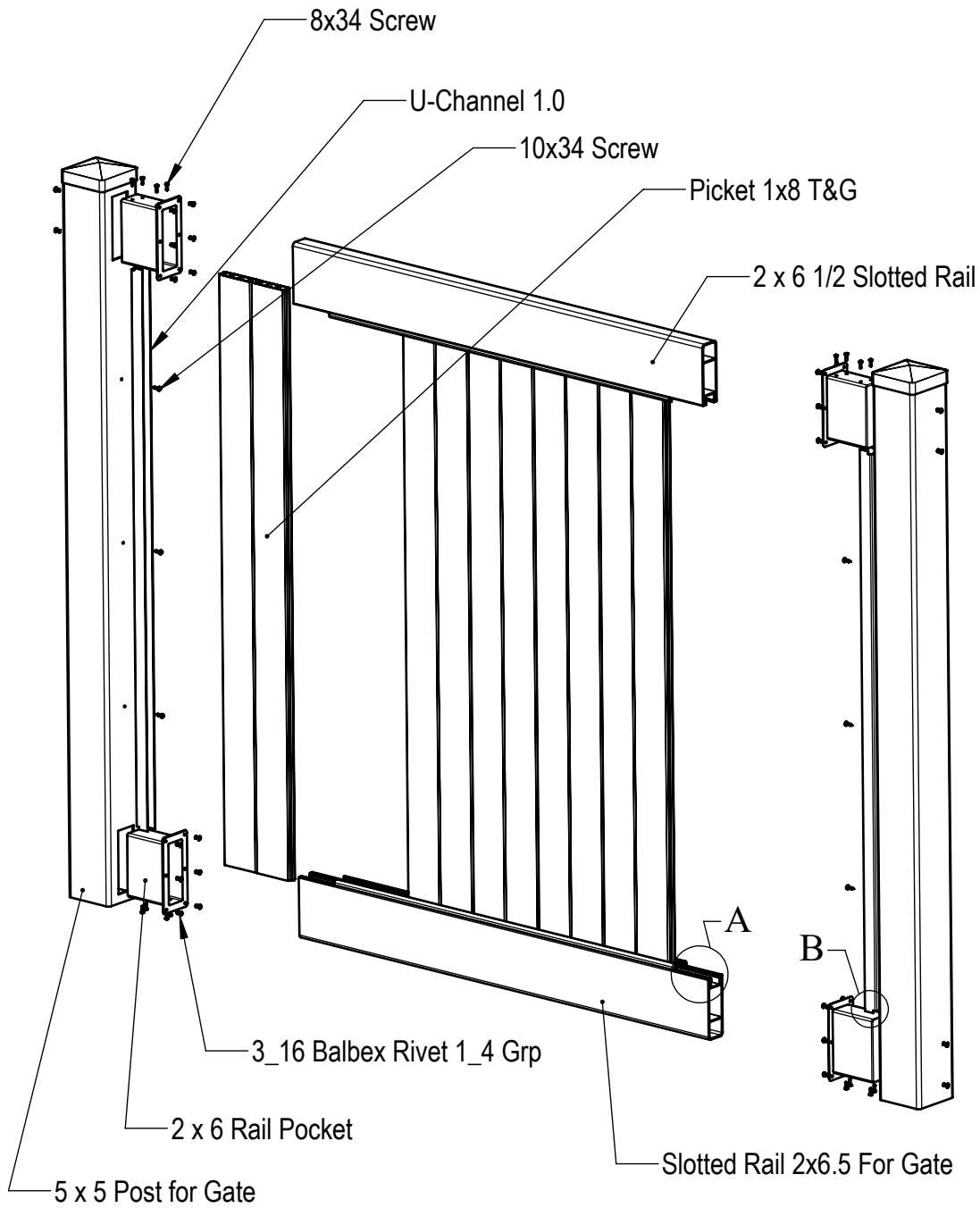
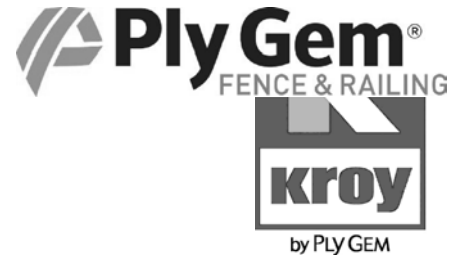


QTY	PART NUMBER	LENGTH
2	5 x 5 Post	71"
2	2 x 6 1/2 Slotted Rail	50 1/4"
5	1 x 8 T&G Picket	57 3/4"
2	7/8 U-Channel	54,94
2	5 x 5 External Long Cap	
4	2 x 6 Rail Pocket	
32	3/16" Balbex Rivet 1/4" Grp	
16	#8-32 x 3/4" Screw	
6	#10-32 x 3/4" Screw	

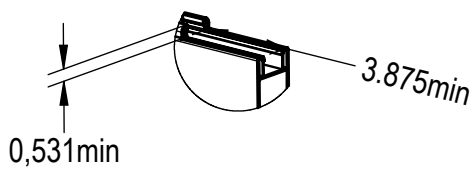
Recommend adjoining Posts be installed per KSPEC-001

6' x 4' Wide Privacy Gate

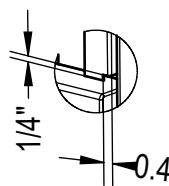
Matches K28D fence found in Section 6



Cut the area in the parts to fit the pocket part



Detail A
1 : 8

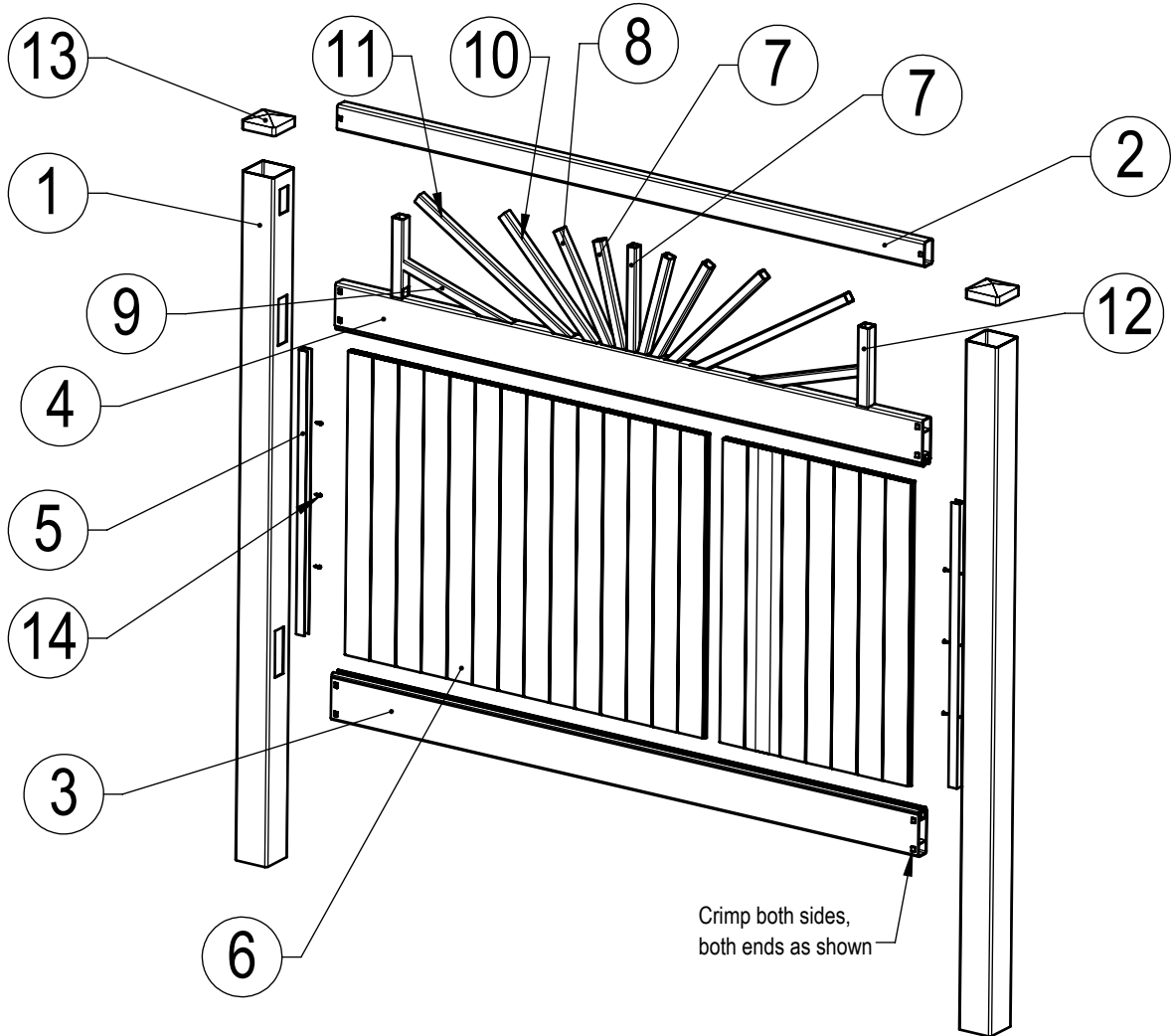


Detail B
1 : 8

P366

Sheet 2 of 2
02-20-23

6' x 8' Privacy with Sunburst Accent

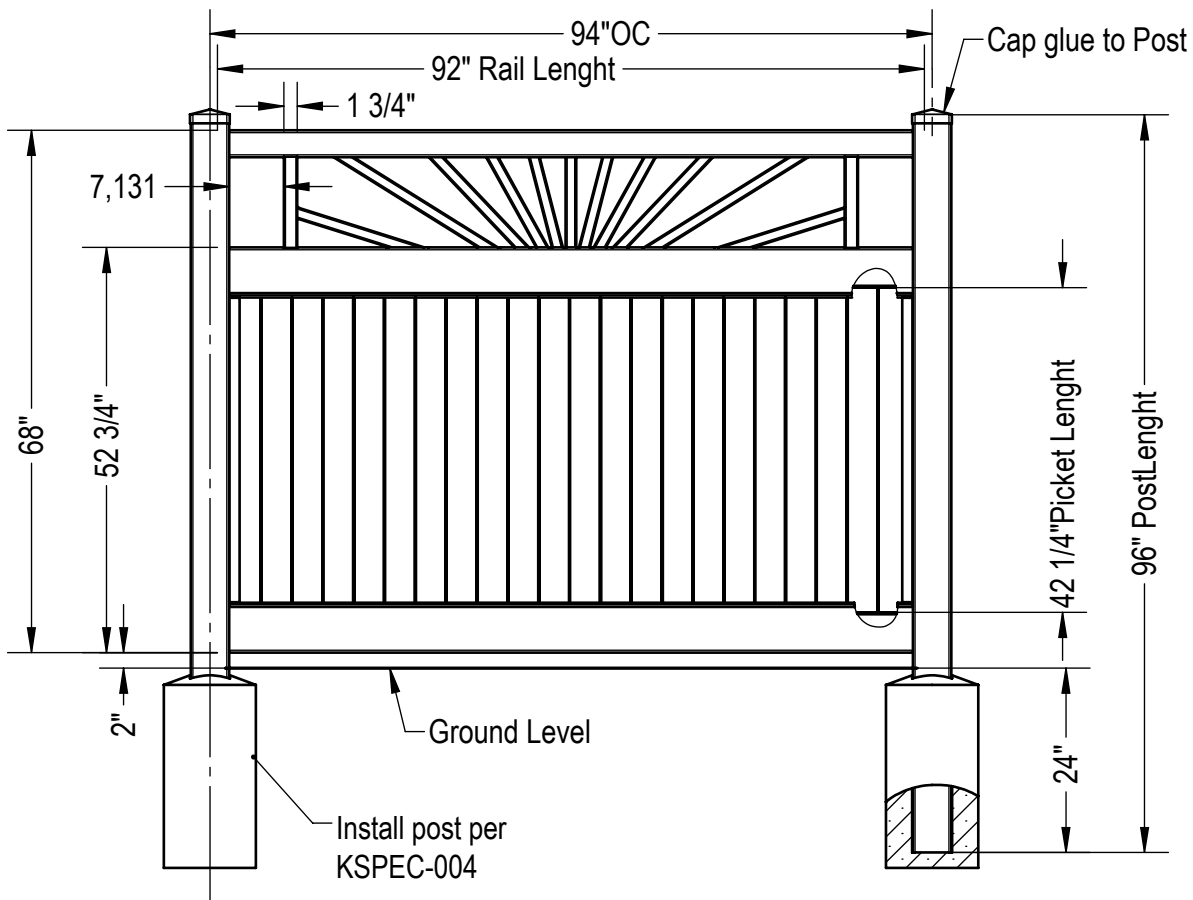


ITEM	DESCRIPTION	LENGHT	QTY	Note
1	Post 5x5	96"	2	
2	Rail 2x3.5	92"	1	
3	Bottom Slotted Rail 2x6.5	92"	1	
4	Top Slotted Rail 2x6.5	92"	1	
5	U-Channel 7/8	39 5/8"	2	
6	Panel 1x8 T&G	42 1/4"	11	
7	Picket 1.375x1.375	16 1/4"	3	
8	Picket 1.375x1.375	18"	2	
9	Picket 1.375x1.375	20"	2	
10	Picket 1.375x1.375	22"	2	
11	Picket 1.375x1.375	29 1/8"	2	
12	Picket 1.75x1.75	16 3/4"	2	
13	External Long Cap 5 x 5		2	
14	#10 x 3/4" Screw		6	

P368

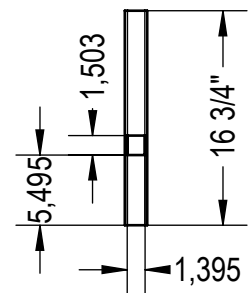
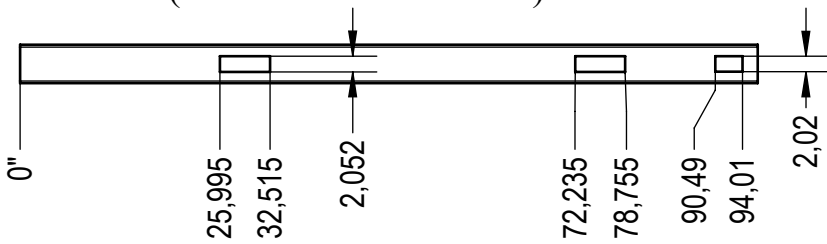
Sheet 1 of 2
02-17-23

6' x 8' Privacy with Sunburst Accent

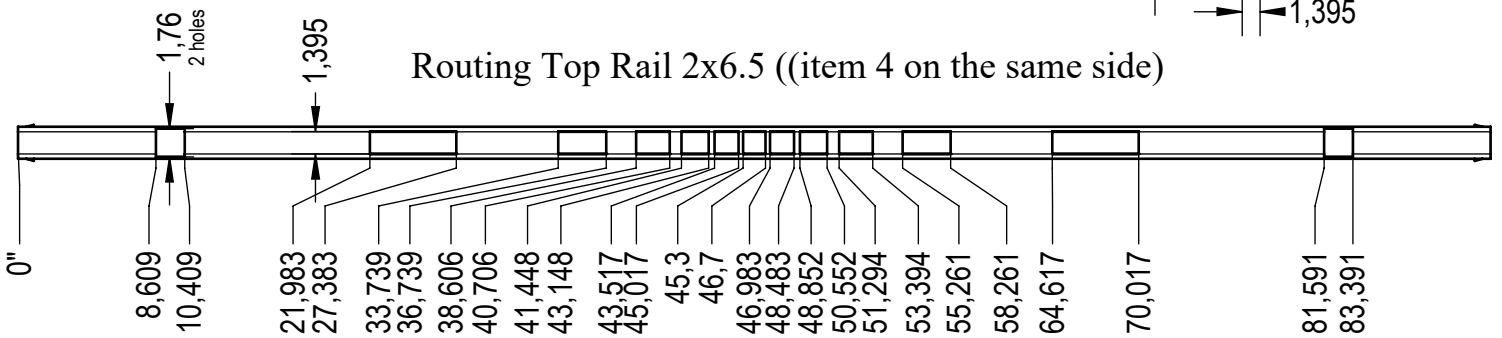


Routing Posts
(item 1 on the same side)

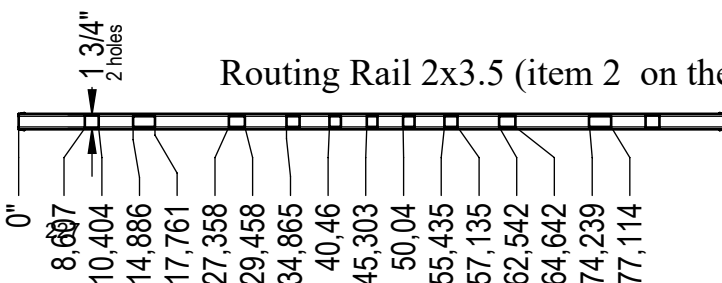
Routing Pickets 1.75x1.75
(item 12 on the same side)



Routing Top Rail 2x6.5 ((item 4 on the same side)



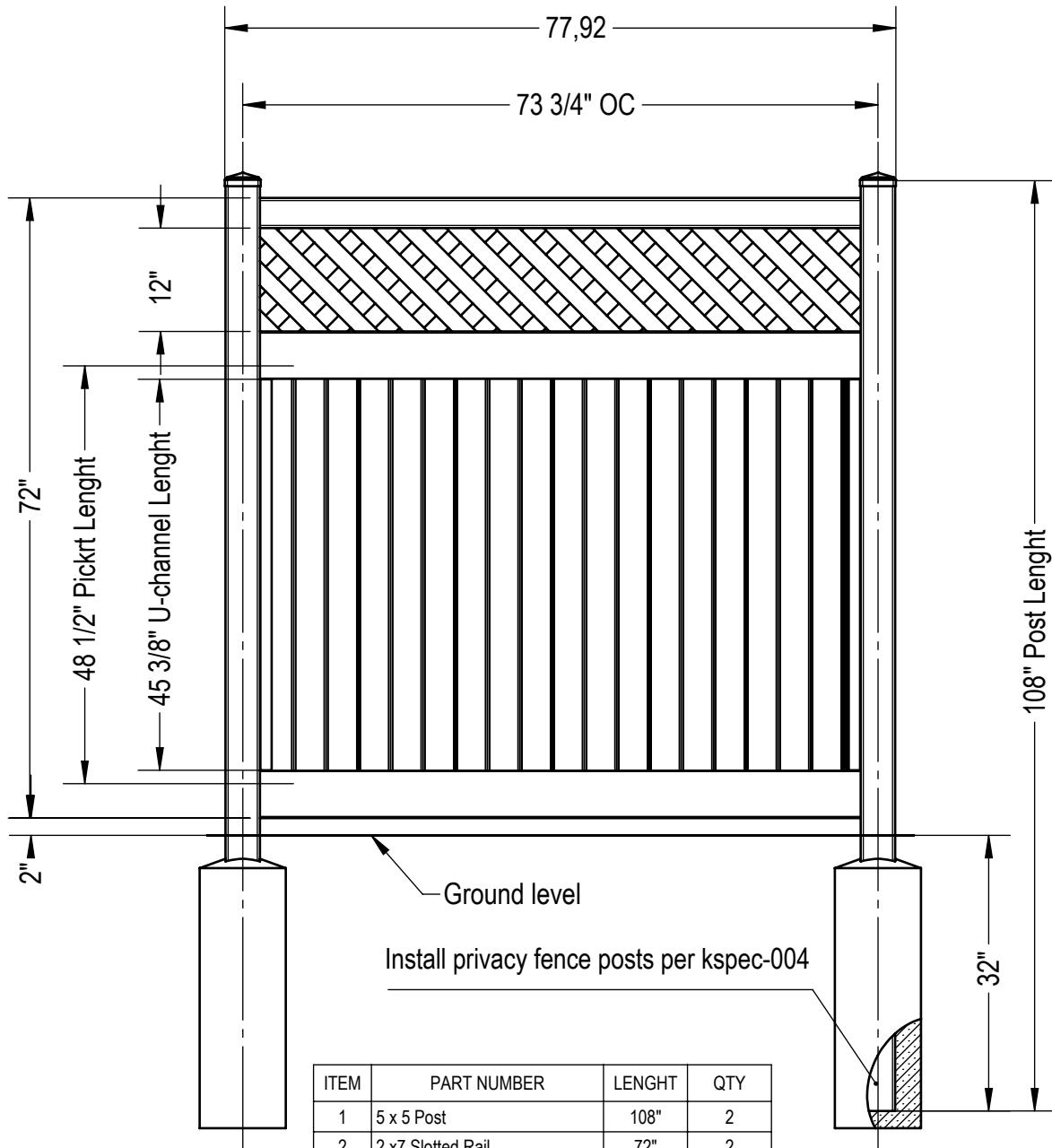
Routing Rail 2x3.5 (item 2 on the same side)



P368

6' x 6' Classic Privacy with Lattice

using 1 1/2 x 5 1/2 Slotted Rails & 3/4 x 11 1/4 Panels

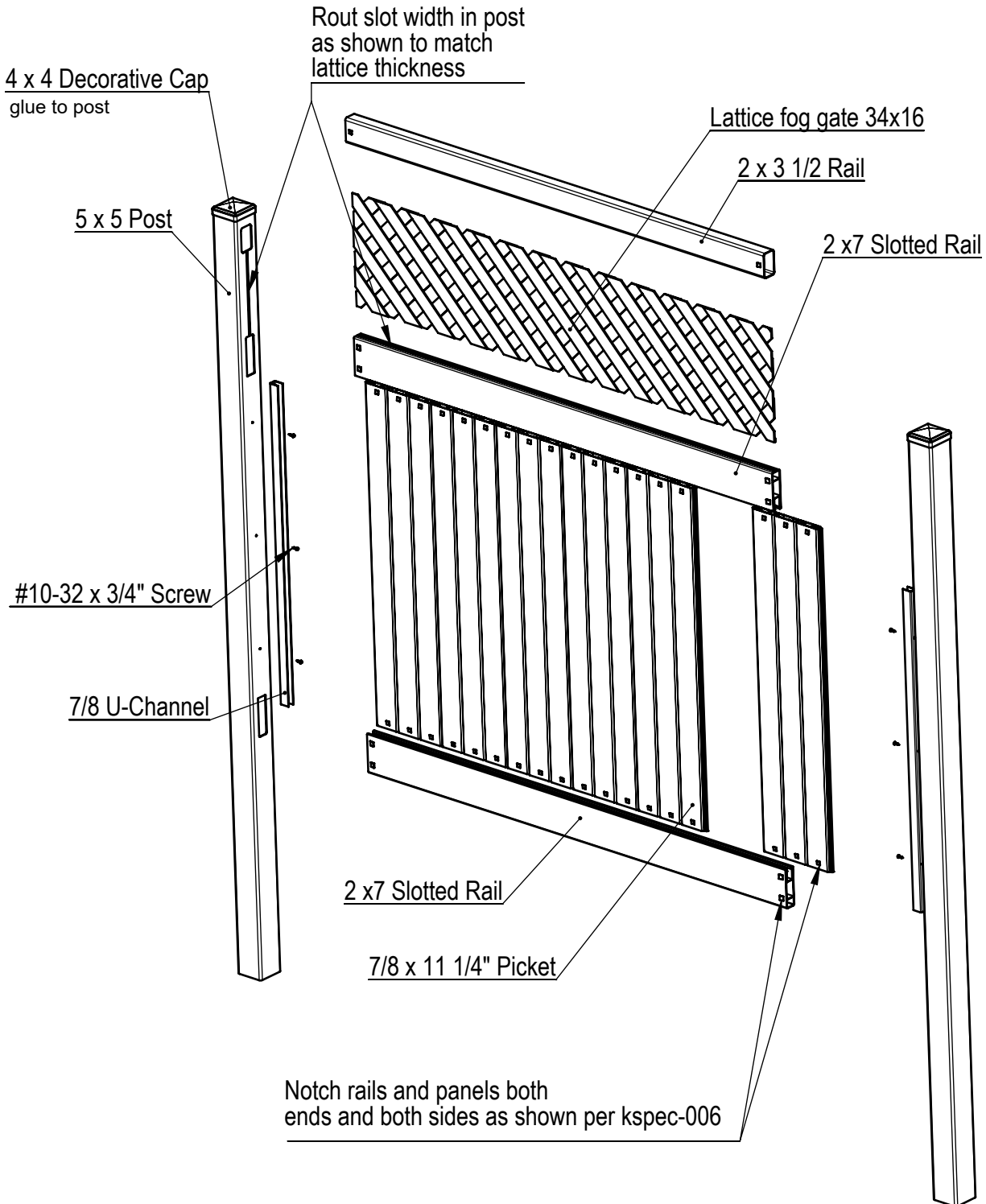


Install privacy fence posts per kspec-004

ITEM	PART NUMBER	LENGHT	QTY
1	5 x 5 Post	108"	2
2	2 x7 Slotted Rail	72"	2
3	7/8 x 11 1/4" Picket	48 1/2"	6
4	2 x 3 1/2 Rail	72"	1
5	7/8 U-Channel	45 3/8"	2
6	Lattice fog gate 34x16		1
7	4 x 4 Decorative Cap		2
8	#10-32 x 3/4" Screw		6

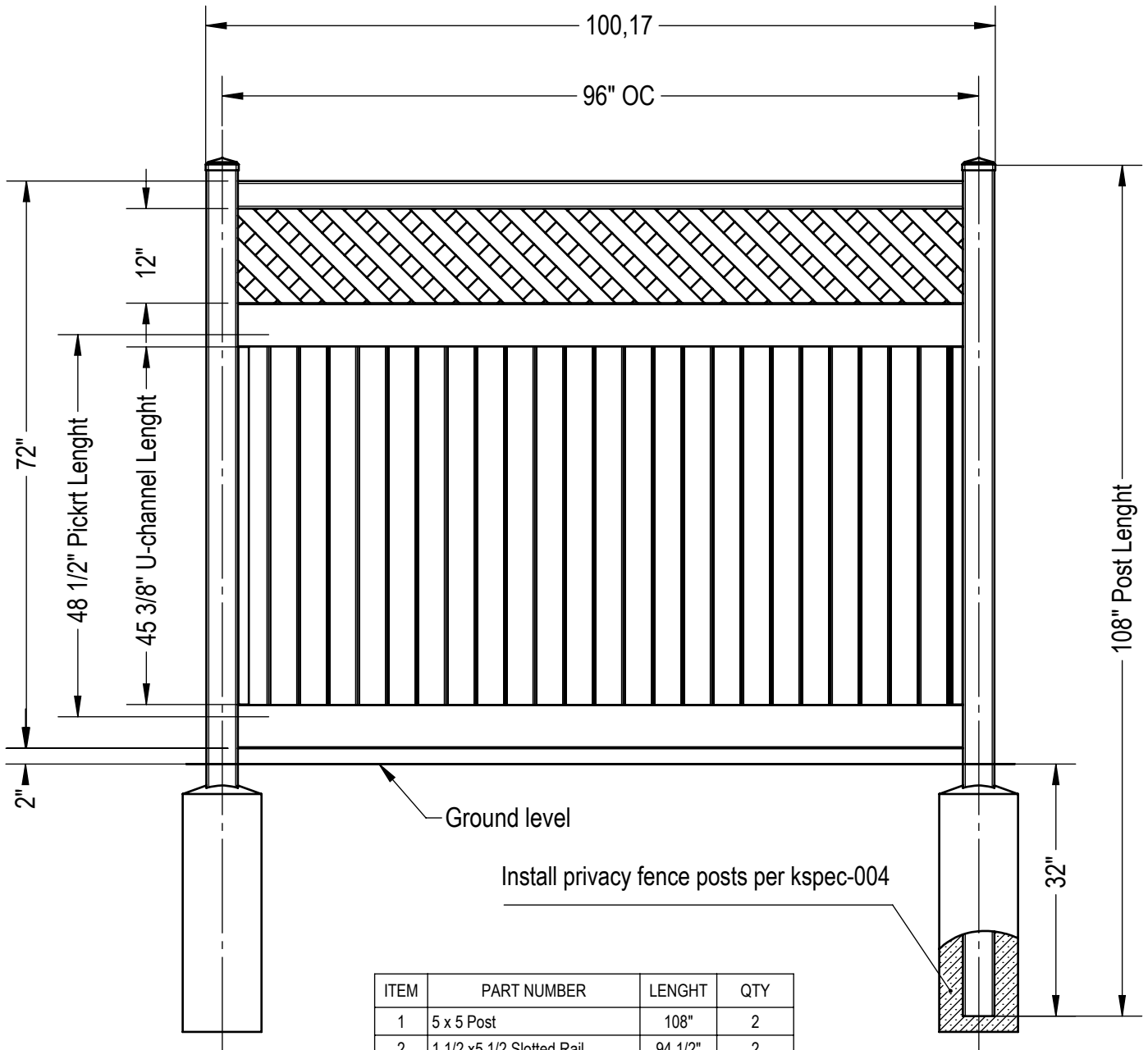
6' x 6' Classic Privacy with Lattice

using 1 1/2 x 5 1/2 Slotted Rails & 3/4 x 11 1/4 Panels



6' x 8' Classic Privacy with Lattice

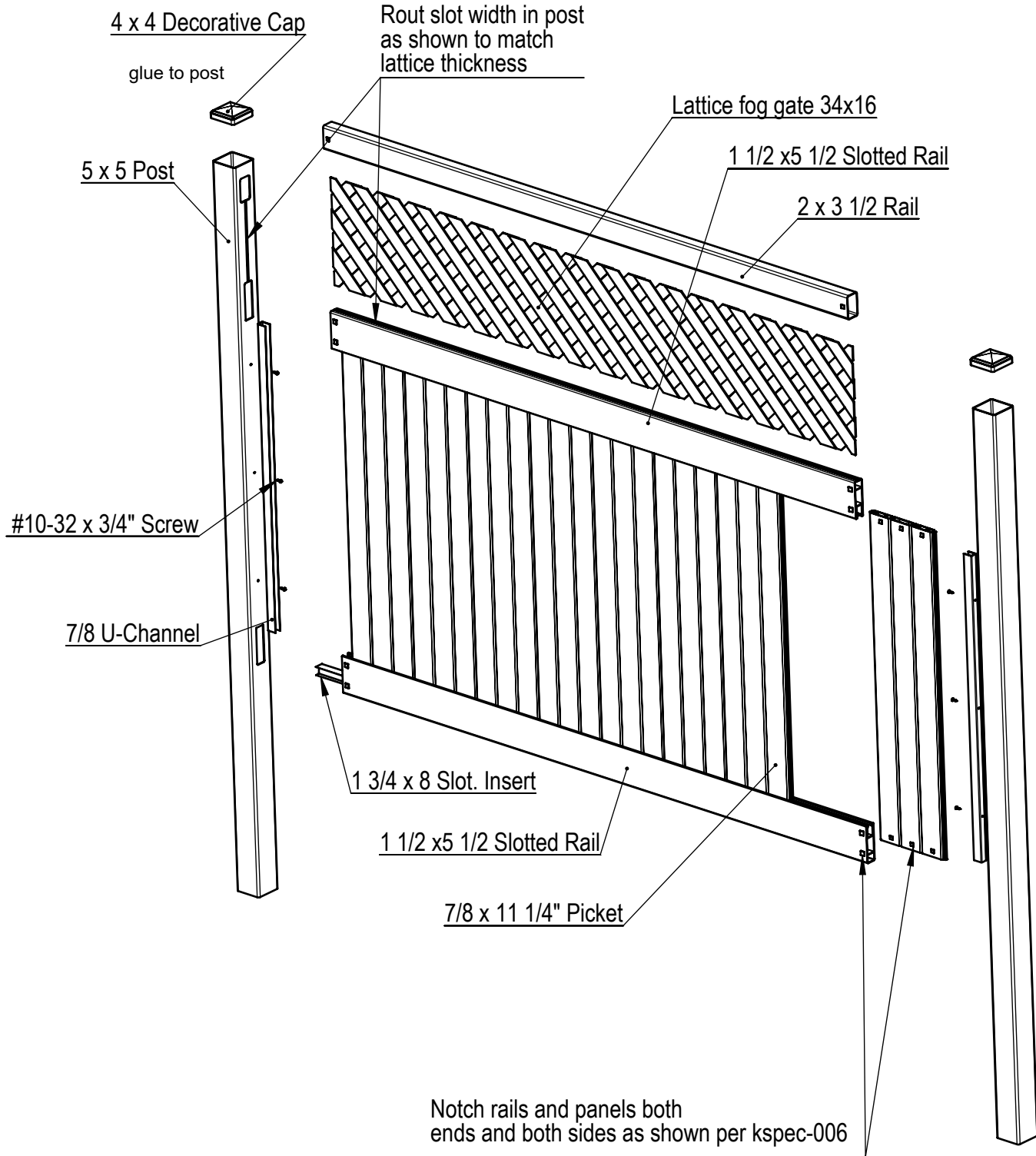
using 1 1/2 x 5 1/2 Slotted Rails & 3/4 x 11 1/4 Panels



ITEM	PART NUMBER	LENGHT	QTY
1	5 x 5 Post	108"	2
2	1 1/2 x 5 1/2 Slotted Rail	94 1/2"	2
3	1 3/4 x 8 Slot. Insert	94 1/2"	1
4	7/8 x 11 1/4" Picket	48 1/2"	8
5	2 x 3 1/2 Rail	94 1/2"	1
6	7/8 U-Channel	45 3/8"	2
7	Lattice fog gate 34x16		1
8	4 x 4 Decorative Cap		2
9	#10-32 x 3/4" Screw		6

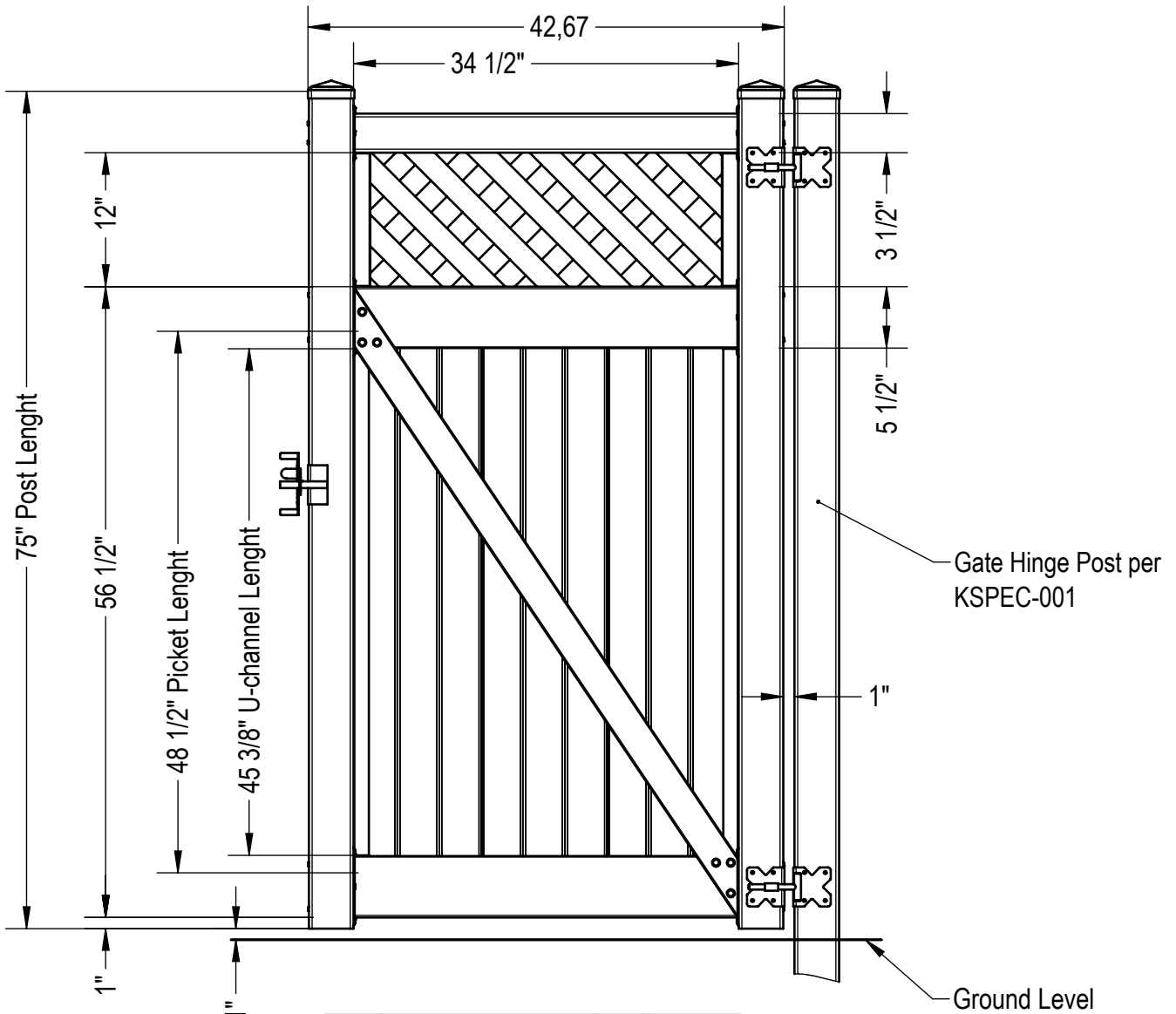
6' x 8' Classic Privacy with Lattice

using 1 1/2 x 5 1/2 Slotted Rails & 3/4 x 11 1/4 Panels



6 ft Tall Classic Privacy with Lattice Gate

using 1 1/2 x 5 1/2 Slotted Rails & 3/4 x 11 1/4 T&G Panels



ITEM	PART NUMBER	QTY	LENGHT
1	5 x 5 Post	2	75"
2	1 1/2 x 5 1/2 Slotted Rail	2	41 3/4"
3	Rail 2X3.5 RW	1	41 3/4"
4	0.75x3 Profile	1	
5	7/8 x 11 1/4" Picket	3	48 1/2"
6	7/8 U-Channel	2	45 3/8"
7	4 x 4 Decorative Cap	2	
8	2 x 6 Rail Pocket	4	
9	2 x 3.5 Rail Pocket	2	
10	Lattice fog gate 12x34	1	
11	0.75x1.5 Profile	2	
12	4 Inch Gate Hinge	2	
13	4 inch Gate Latch	1	
14	3/16" Balbex Rivet 1/4" Grp	48	
15	#8-32 x 3/4" Screw	30	
16	#10-32 x 3/4" Screw	10	
17	5/8" Cap Plug	6	

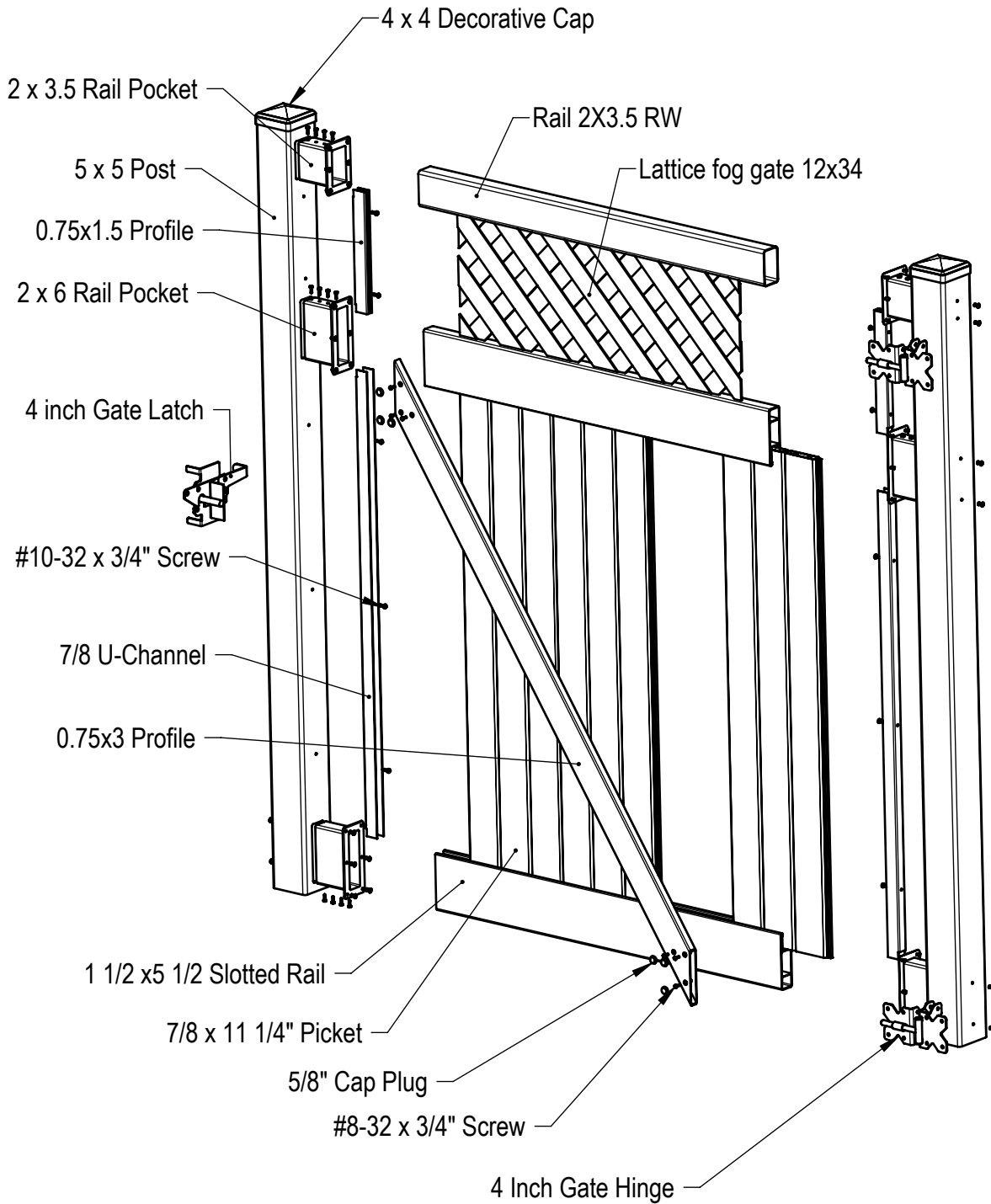
Matching fences are K369 & K370 found in section 7.

P371

Sheet 1 of 2
02-11-23

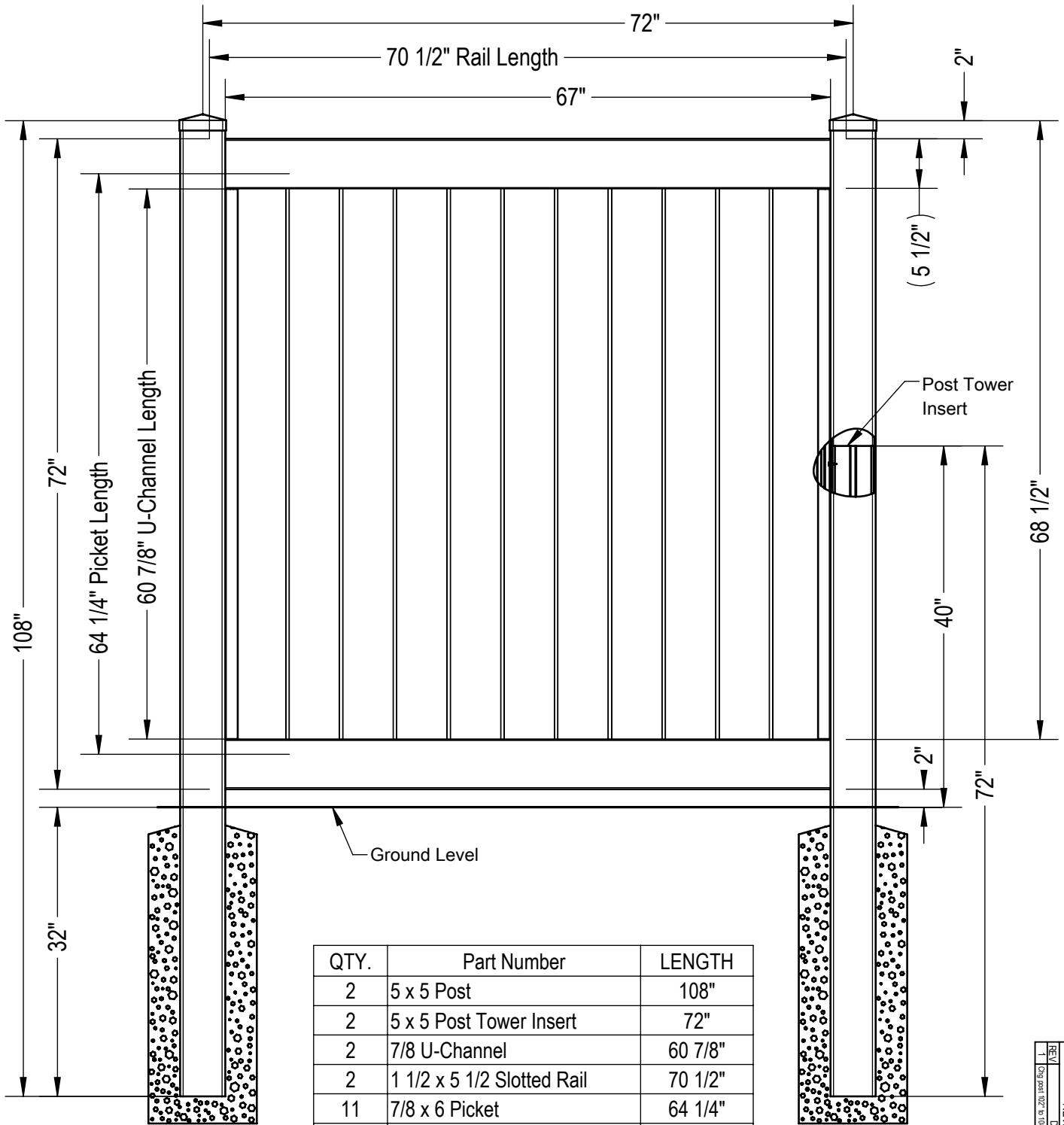
6 ft Tall Classic Privacy with Lattice Gate

using 1 1/2 x 5 1/2 Slotted Rails & 3/4 x 11 1/4 T&G Panels



72" H x 72" W Classic Privacy

with 1 1/2 x 5 1/2 Rail & 7/8 x 6 T&G Picket



QTY.	Part Number	LENGTH
2	5 x 5 Post	108"
2	5 x 5 Post Tower Insert	72"
2	7/8 U-Channel	60 7/8"
2	1 1/2 x 5 1/2 Slotted Rail	70 1/2"
11	7/8 x 6 Picket	64 1/4"
6	#10 x 3/4" Screw	
2	5 x 5 External Long Cap	
	Insert for Khaki and WS colors	
1	1 1/2 x 5 1/2 Slt'd Insert	70 1/2"

REVISION HISTORY	
REV	DESCRIPTION
1	04-14-17

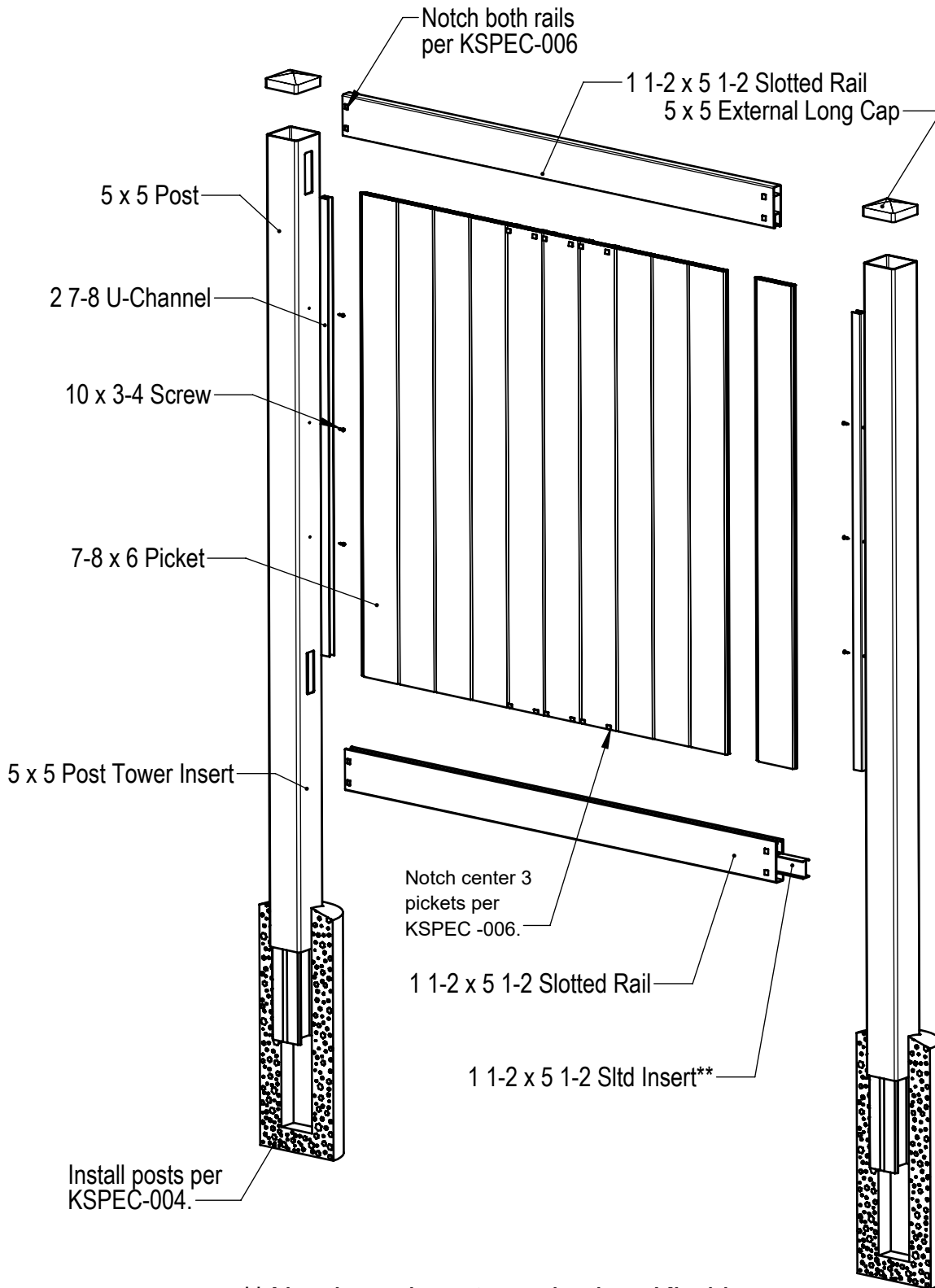
THIS DRAWING WAS MADE AND INTENDED FOR USE AS A GUIDE ONLY. ANY PRODUCT SUBSTITUTION OR VARIANCE MAY COMPROMISE THE STRUCTURE, DESIGN AND PERFORMANCE OF THE PRODUCT. NO WARRANTY IS EXPRESSED OR IMPLIED BY THIS DRAWING AND PLY GEM FENCE & RAIL.

P374

Sheet 1 of 2
04-14-17

72" H x 72" W Classic Privacy

with 1 1/2 x 5 1/2 Rail & 7/8 x 6 T&G Picket

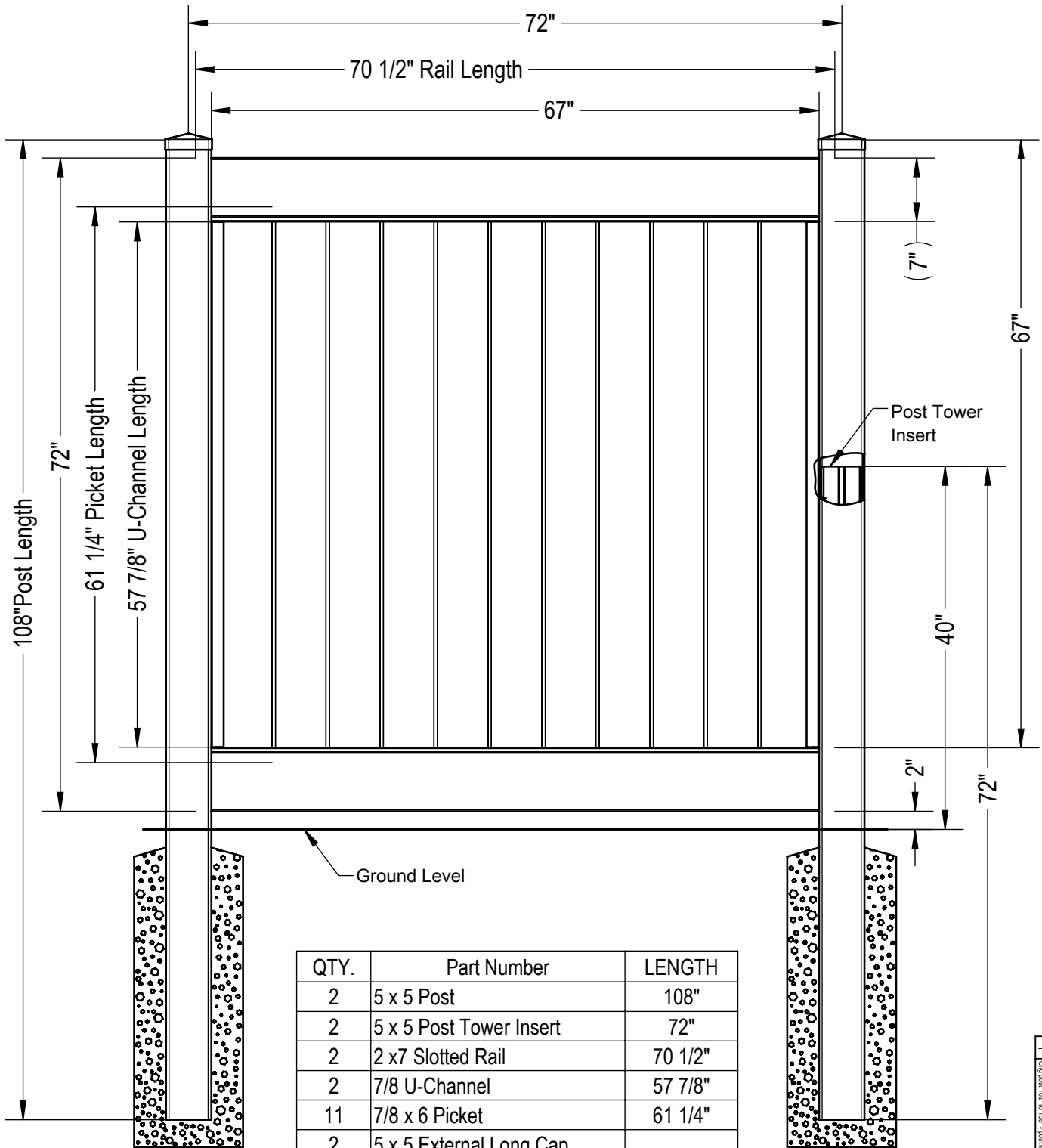


** Aluminum insert required on Khaki and all Woodland Select colors.

THIS DRAWING WAS MADE AND INTENDED FOR USE AS A GUIDE ONLY. ANY PRODUCT SUBSTITUTION OR VARIANCE MAY COMPROMISE THE STRUCTURE, DESIGN AND PERFORMANCE OF THE PRODUCT. NO WARRANTY IS EXPRESSED OR IMPLIED BY THIS DRAWING AND PLY GEM FENCE & RAIL.

72" H x 72" W Classic Privacy

with 2 x 7 Rail & 7/8 x 6 T&G Picket



QTY.	Part Number	LENGTH
2	5 x 5 Post	108"
2	5 x 5 Post Tower Insert	72"
2	2 x 7 Slotted Rail	70 1/2"
2	7/8 U-Channel	57 7/8"
11	7/8 x 6 Picket	61 1/4"
2	5 x 5 External Long Cap	
6	#10 x 3/4" Screw	
	Insert for Khaki and WS colors	
1	2 x 7 H-Channel Insert	70 1/2"

REVISION HISTORY	
REV	DESCRIPTION
DATE	

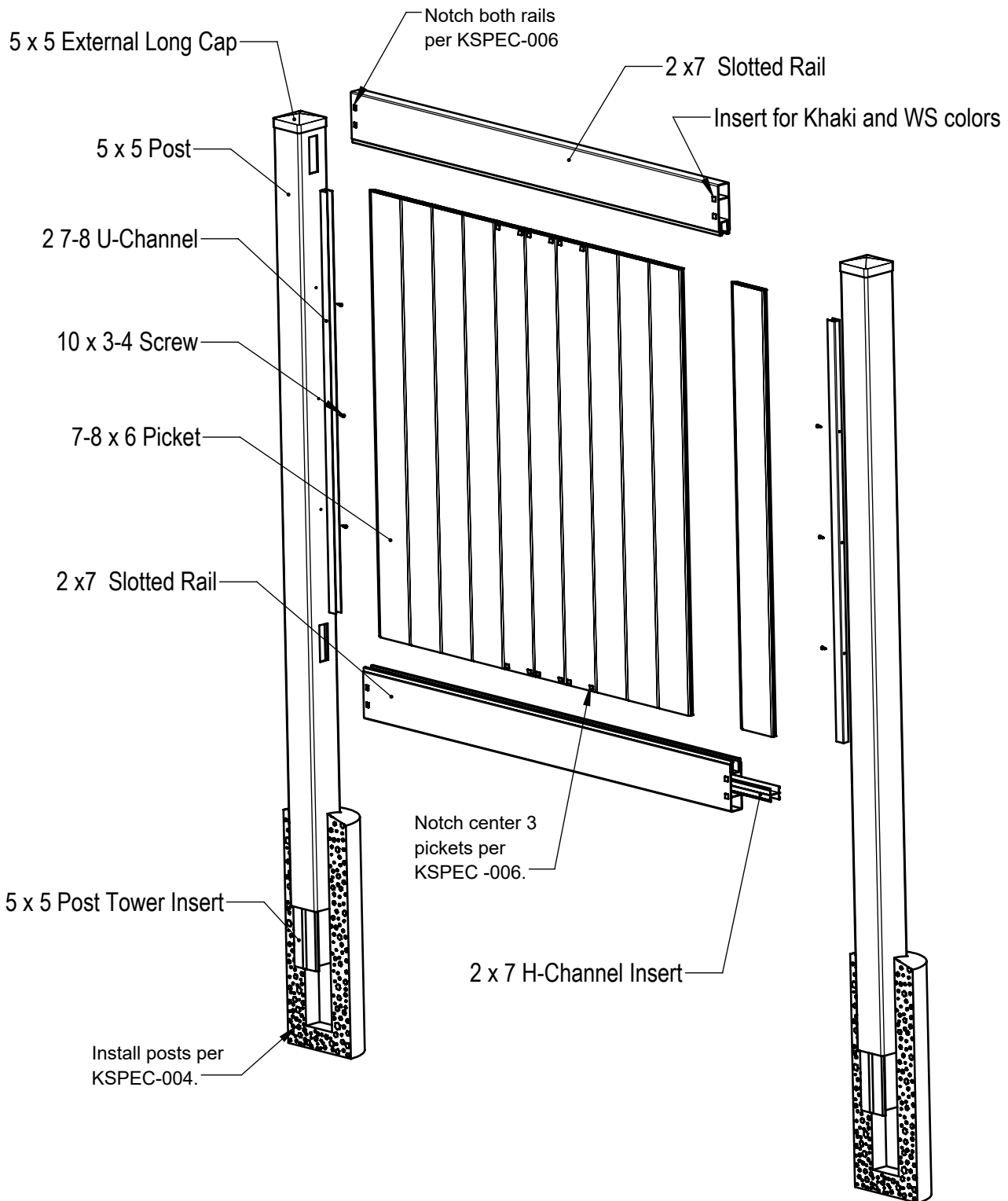
THIS DRAWING WAS MADE AND INTENDED FOR USE AS A GUIDE ONLY. ANY PRODUCT SUBSTITUTION OR VARIANCE MAY COMPROMISE THE STRUCTURE, DESIGN AND PERFORMANCE OF THE PRODUCT. NO WARRANTY IS EXPRESSED OR IMPLIED BY THIS DRAWING AND PLY GEM FENCE & RAIL.

P375

Sheet 1 of 2
04-14-17

72" H x 72" W Classic Privacy

with 2 x 7 Rail & 7/8 x 6 T&G Picket

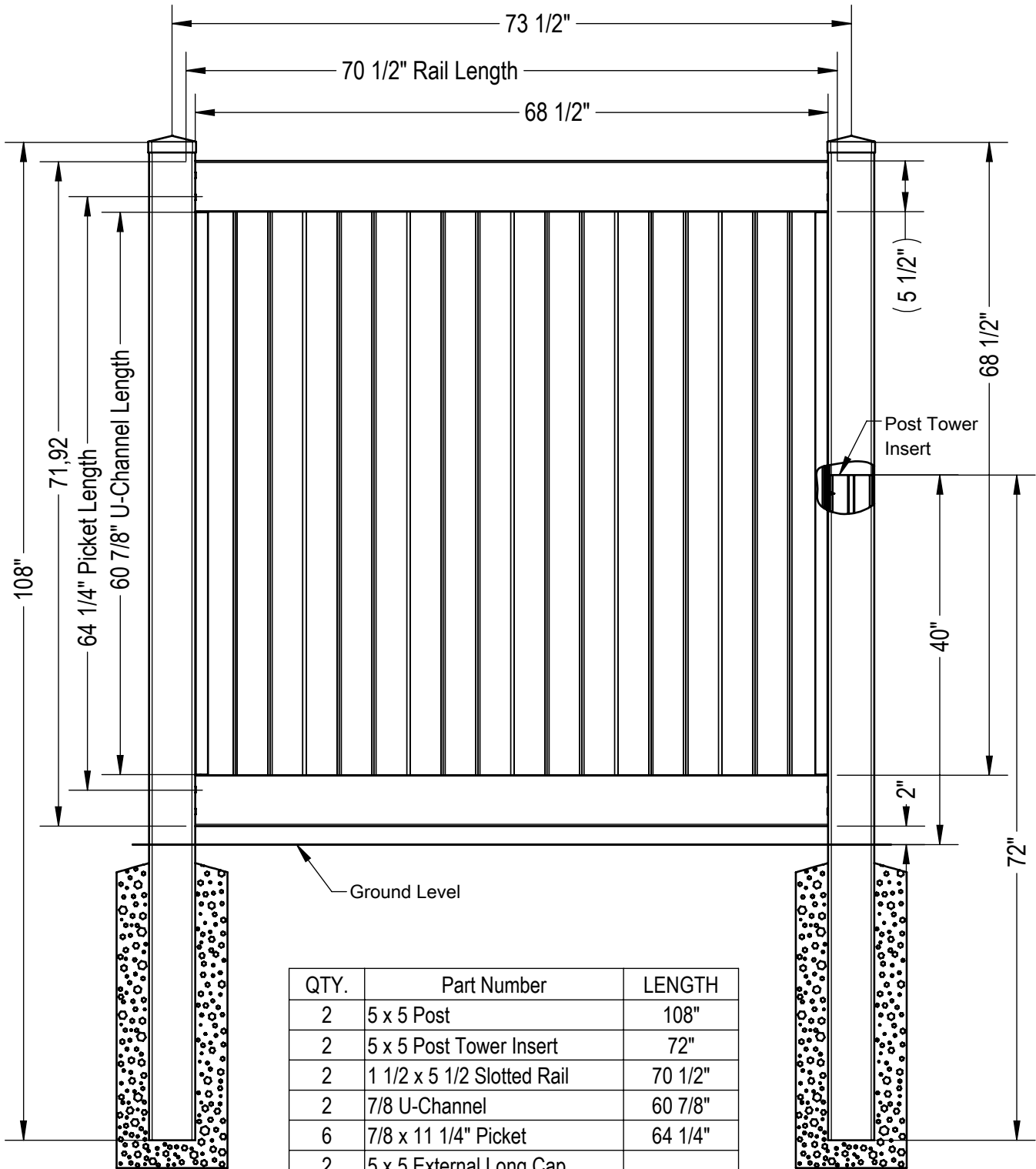


****Aluminum insert required on Khaki and all Woodland Select colors.**

THIS DRAWING WAS MADE AND INTENDED FOR USE AS A GUIDE ONLY. ANY PRODUCT SUBSTITUTION OR VARIANCE MAY COMPROMISE THE STRUCTURE, DESIGN AND PERFORMANCE OF THE PRODUCT. NO WARRANTY IS EXPRESSED OR IMPLIED BY THIS DRAWING AND PLY GEM FENCE & RAIL.

72" H x 73" W Classic Privacy

with 2 x 7 Rail & 7/8 x 6 T&G Picket



QTY.	Part Number	LENGTH
2	5 x 5 Post	108"
2	5 x 5 Post Tower Insert	72"
2	1 1/2 x 5 1/2 Slotted Rail	70 1/2"
2	7/8 U-Channel	60 7/8"
6	7/8 x 11 1/4" Picket	64 1/4"
2	5 x 5 External Long Cap	
6	#10 x 3/4" Screw	
	Insert for Khaki and WS colors	
1	1 1/2 x 5 1/2 Sld Insert	70 1/2"

REVISION HISTORY	
REV#	DATE
1	

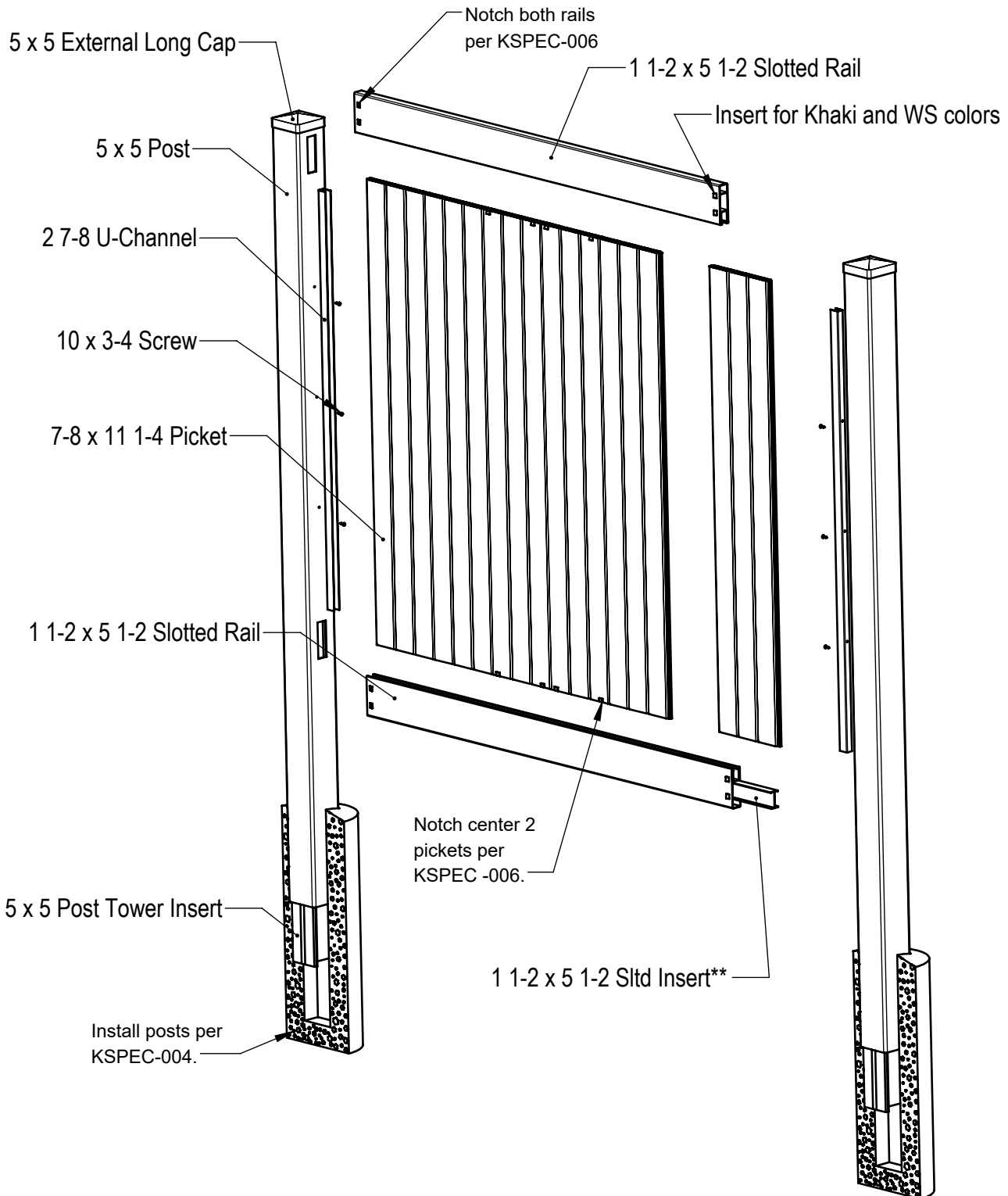
THIS DRAWING WAS MADE AND INTENDED FOR USE AS A GUIDE ONLY. ANY PRODUCT SUBSTITUTION OR VARIANCE MAY COMPROMISE THE STRUCTURE, DESIGN AND PERFORMANCE OF THE PRODUCT. NO WARRANTY IS EXPRESSED OR IMPLIED BY THIS DRAWING AND PLY GEM FENCE & RAIL.

P376

Sheet 1 of 2
04-14-17

72" H x 72" W Classic Privacy

with 1 1/2 x 5 1/2 Rail & 7/8 x 11 T&G Picket



****Aluminum insert required on Khaki and all Woodland Select colors.**

THIS DRAWING WAS MADE AND INTENDED FOR USE AS A GUIDE ONLY. ANY PRODUCT SUBSTITUTION OR VARIANCE MAY COMPROMISE THE STRUCTURE, DESIGN AND PERFORMANCE OF THE PRODUCT. NO WARRANTY IS EXPRESSED OR IMPLIED BY THIS DRAWING AND PLY GEM FENCE & RAIL.

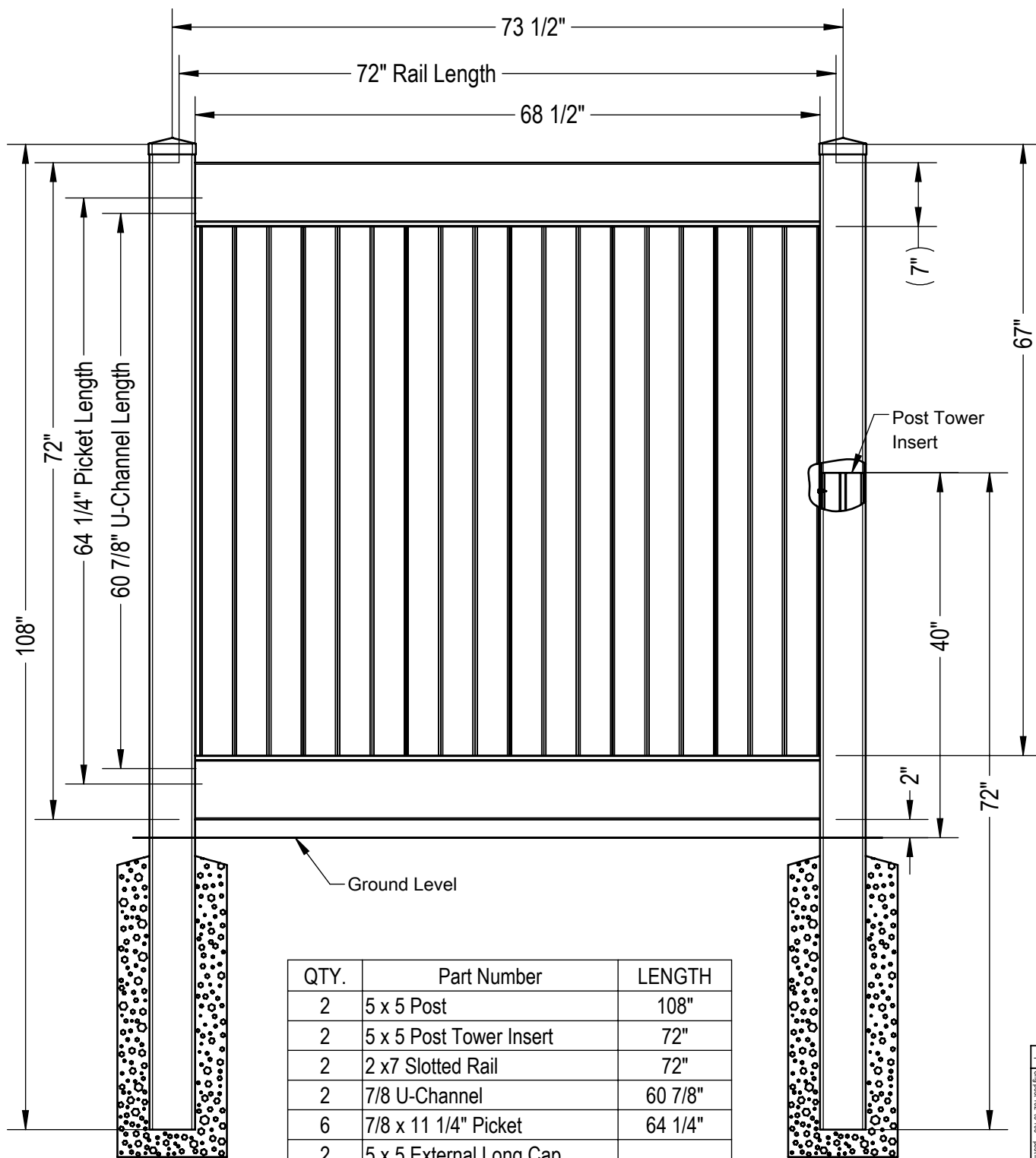
DRAWINGS ARE CONFIDENTIAL AND ARE THE PROPERTY OF PLY GEM FENCE & RAILING © MAR 2019.

P376

Sheet 2 of 2
04-14-17

72" H x 73 1/2" W Classic Privacy

with 2 x 7 Rail & 7/8 x 6 T&G Picket



QTY.	Part Number	LENGTH
2	5 x 5 Post	108"
2	5 x 5 Post Tower Insert	72"
2	2 x 7 Slotted Rail	72"
2	7/8 U-Channel	60 7/8"
6	7/8 x 11 1/4" Picket	64 1/4"
2	5 x 5 External Long Cap	
6	#10 x 3/4" Screw	
	Insert for Khaki and WS colors	
1	2 x 7 H-Channel Insert	70 1/2"

REVISION HISTORY	
REV#	DATE
DESCRIPTION	
1 C:\p\post\1027\0_108" - post tower insert for 72" - ASTM F1999 03/07/19	

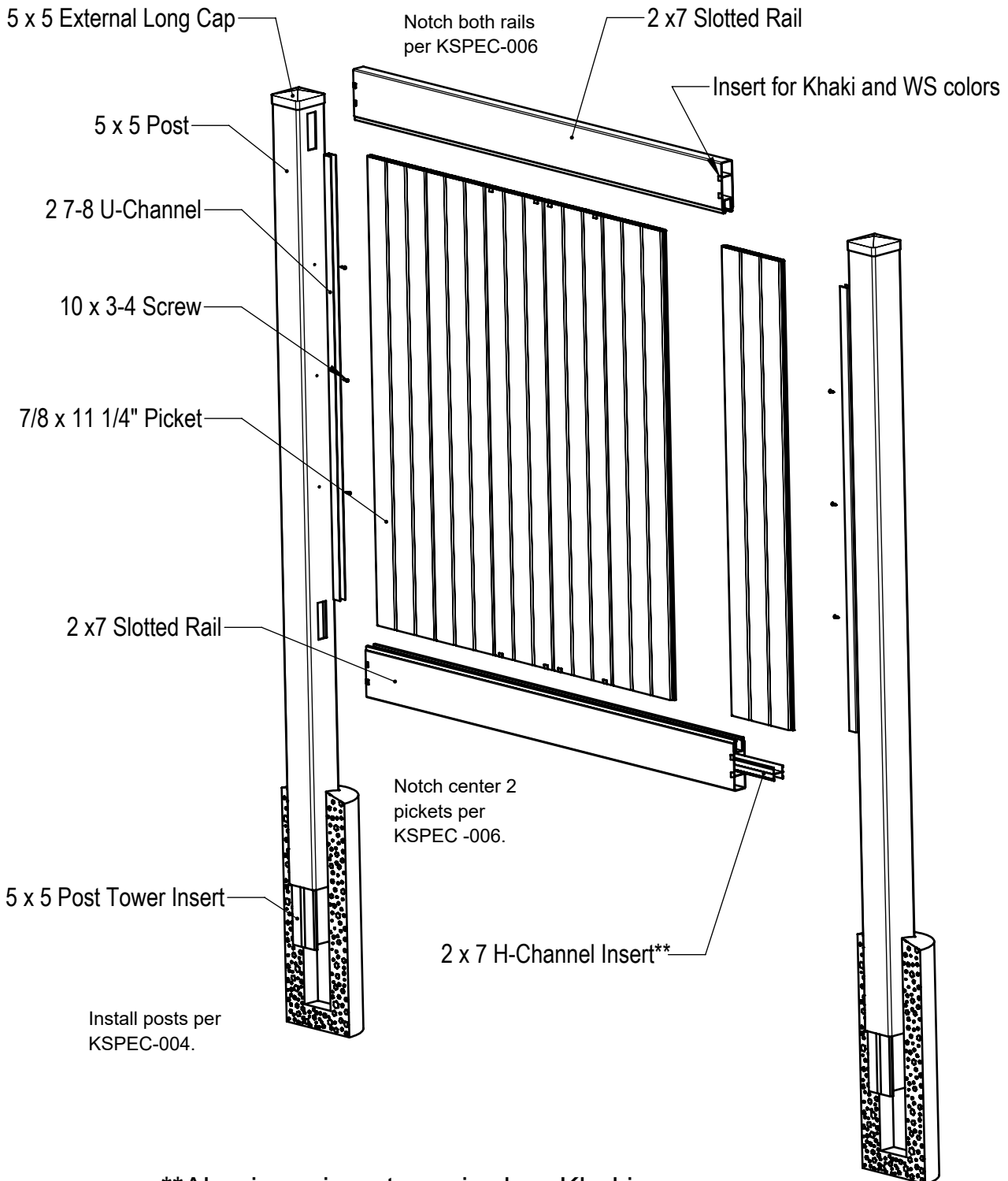
THIS DRAWING WAS MADE AND INTENDED FOR USE AS A GUIDE ONLY. ANY PRODUCT SUBSTITUTION OR VARIANCE MAY COMPROMISE THE STRUCTURE, DESIGN AND PERFORMANCE OF THE PRODUCT. NO WARRANTY IS EXPRESSED OR IMPLIED BY THIS DRAWING AND PLY GEM FENCE & RAIL.

P377

Sheet 1 of 2
04-14-17

72" H x 73 1/2" W Classic Privacy

with 2 x 7 Rail & 7/8 x 11 T&G Picket

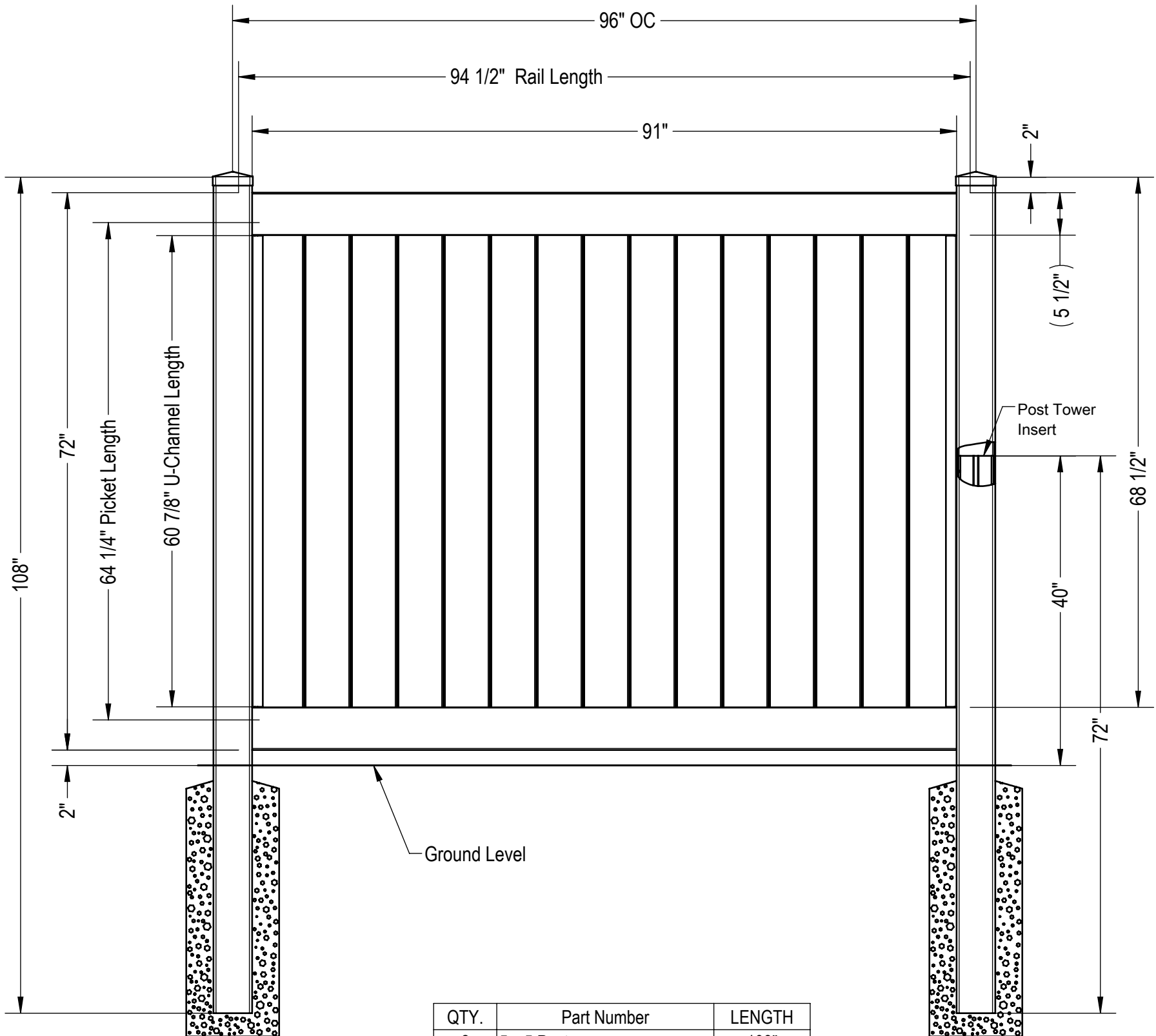


**Aluminum insert required on Khaki and all Woodland Select colors.

THIS DRAWING WAS MADE AND INTENDED FOR USE AS A GUIDE ONLY. ANY PRODUCT SUBSTITUTION OR VARIANCE MAY COMPROMISE THE STRUCTURE, DESIGN AND PERFORMANCE OF THE PRODUCT. NO WARRANTY IS EXPRESSED OR IMPLIED BY THIS DRAWING AND PLY GEM FENCE & RAIL.

72" H x 96" W Classic Privacy

with 1 1/2 x 5 1/2 Rail & 7/8 x 6 T&G Picket



QTY.	Part Number	LENGTH
2	5 x 5 Post	108"
2	5 x 5 Post Tower Insert	72"
2	1 1/2 x 5 1/2 Slotted Rail	94 1/2"
15	7/8 x 6" Picket	64 1/4"
2	7/8 U-Channel	60 7/8"
2	5 x 5 External Long Cap	
6	#10 x 3/4" Screw	
	Insert for Khaki and WS colors	
1	1 1/2 x 5 1/2 Sltd insert	94 1/2"

Dynamic wind load tested
 Report # H0431.01-119-19-R1
 Tested as KS2129

THIS DRAWING WAS MADE AND INTENDED FOR USE AS A GUIDE ONLY. ANY PRODUCT SUBSTITUTION OR VARIANCE MAY COMPROMISE THE STRUCTURE, DESIGN AND PERFORMANCE OF THE PRODUCT. NO WARRANTY IS EXPRESSED OR IMPLIED BY THIS DRAWING AND PLY GEM FENCE & RAIL.

DRAWINGS ARE CONFIDENTIAL AND ARE THE PROPERTY OF PLY GEM FENCE & RAILING © MAR 2019.

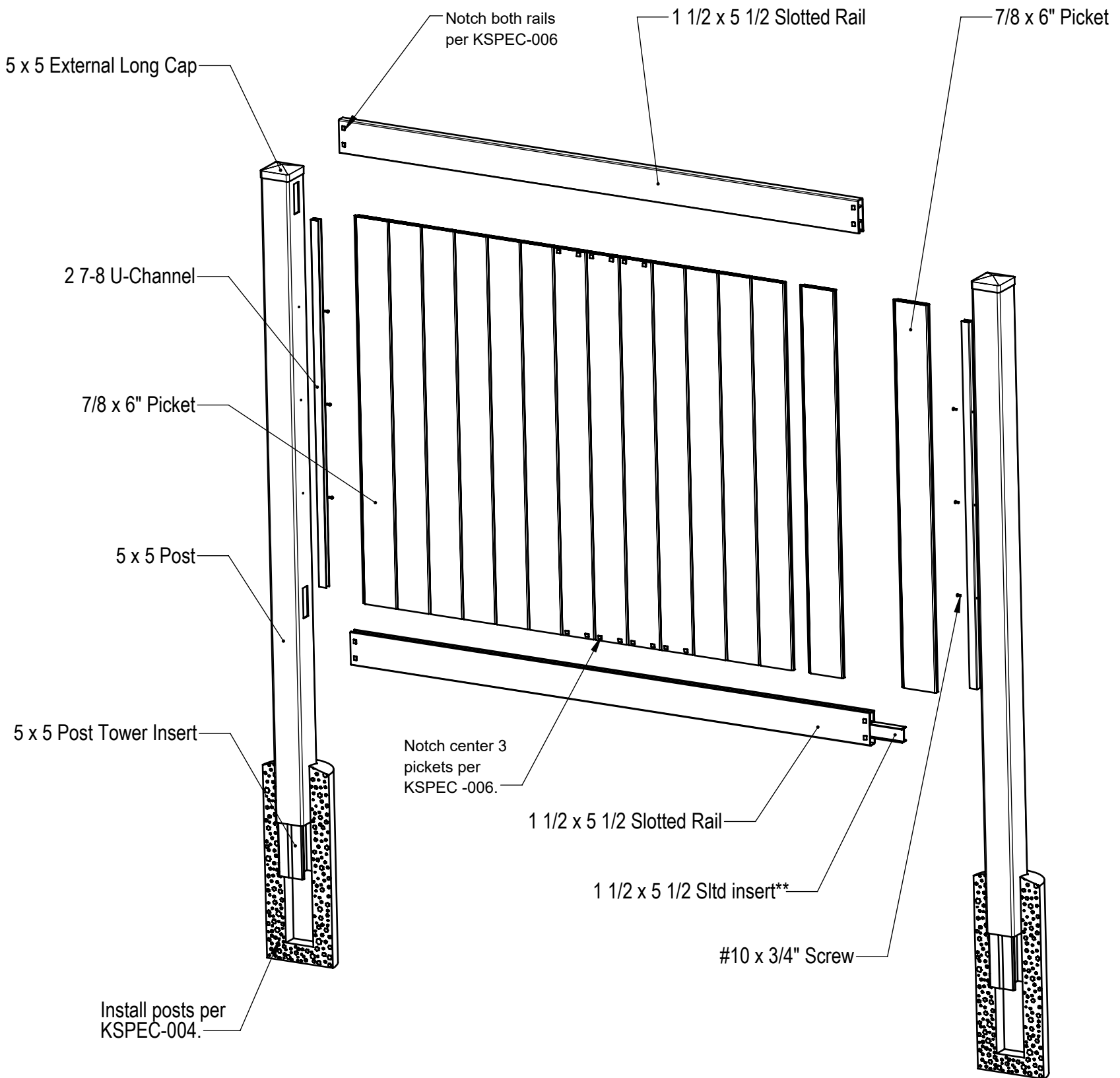
REVISION HISTORY	
NO.	DATE
1	03/01/19

P378

Sheet 1 of 2
 04-14-17

72" H x 96" W Classic Privacy

with 1 1/2 x 5 1/2 Rail & 7/8 x 6 T&G Picket

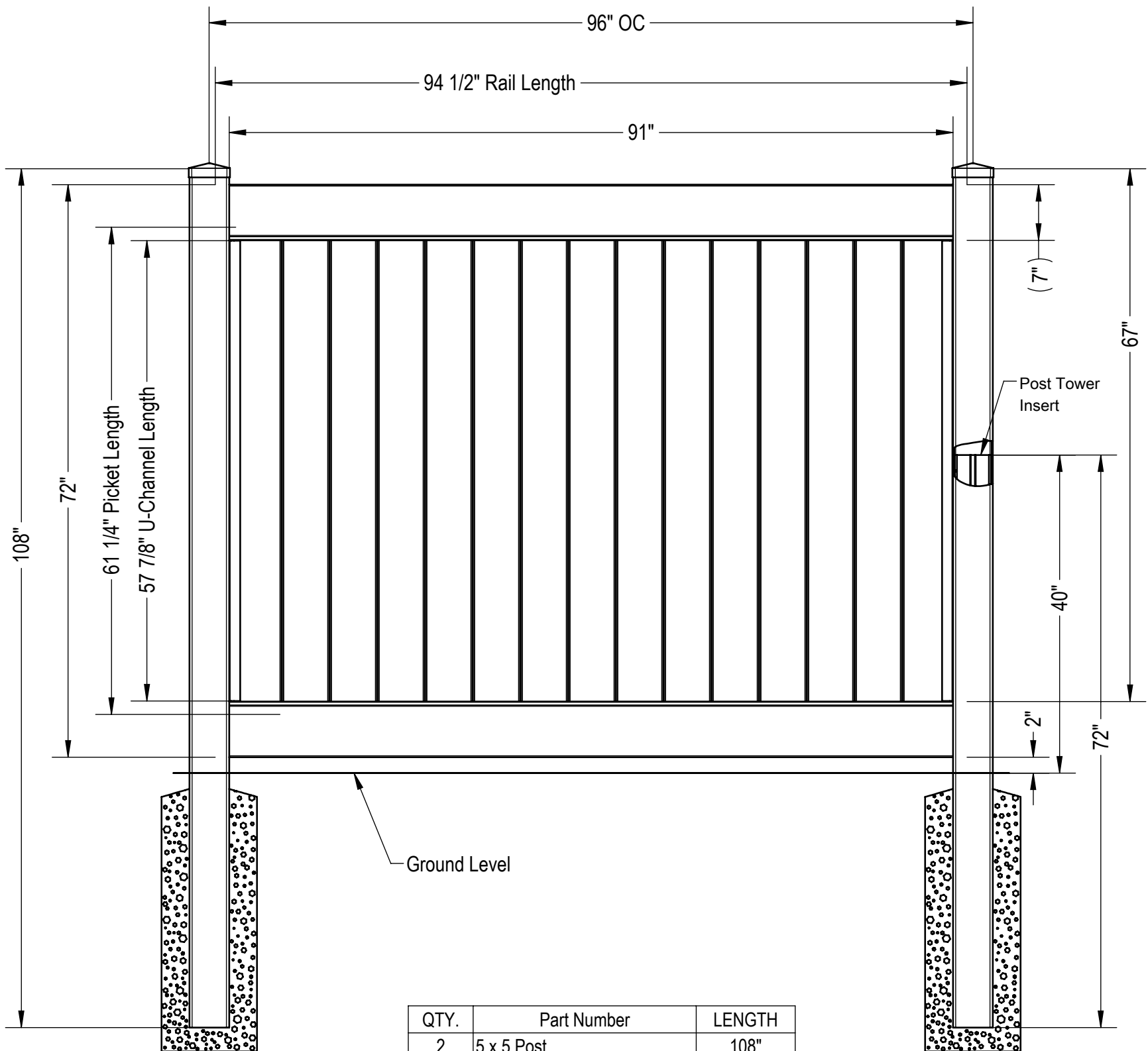


**Aluminum insert required on Khaki and all Woodland Select colors.

THIS DRAWING WAS MADE AND INTENDED FOR USE AS A GUIDE ONLY. ANY PRODUCT SUBSTITUTION OR VARIANCE MAY COMPROMISE THE STRUCTURE, DESIGN AND PERFORMANCE OF THE PRODUCT. NO WARRANTY IS EXPRESSED OR IMPLIED BY THIS DRAWING AND PLY GEM FENCE & RAIL.

72" H x 96" W Classic Privacy

with 2 x 7 Rails & 7/8 x 6 T&G Pickets



QTY.	Part Number	LENGTH
2	5 x 5 Post	108"
2	5 x 5 Post Tower Insert	72"
2	2 x7 Slotted Rail	94 1/2"
15	7/8 x 6" Picket	61 1/4"
2	7/8 U-Channel	57 7/8"
2	5 x 5 External Long Cap	
6	#10 x 3/4" Screw	
	Insert for Khaki and WS colors	
1	2 x 7 H-Channel Insert	94 1/2"

Dynamic wind load tested
 Report # H0431.01-119-19-R1
 Tested as KS2129

THIS DRAWING WAS MADE AND INTENDED FOR USE AS A GUIDE ONLY. ANY PRODUCT SUBSTITUTION OR VARIANCE MAY COMPROMISE THE STRUCTURE, DESIGN AND PERFORMANCE OF THE PRODUCT. NO WARRANTY IS EXPRESSED OR IMPLIED BY THIS DRAWING AND PLY GEM FENCE & RAIL.

DRAWINGS ARE CONFIDENTIAL AND ARE THE PROPERTY OF PLY GEM FENCE & RAILING © MAR 2019.

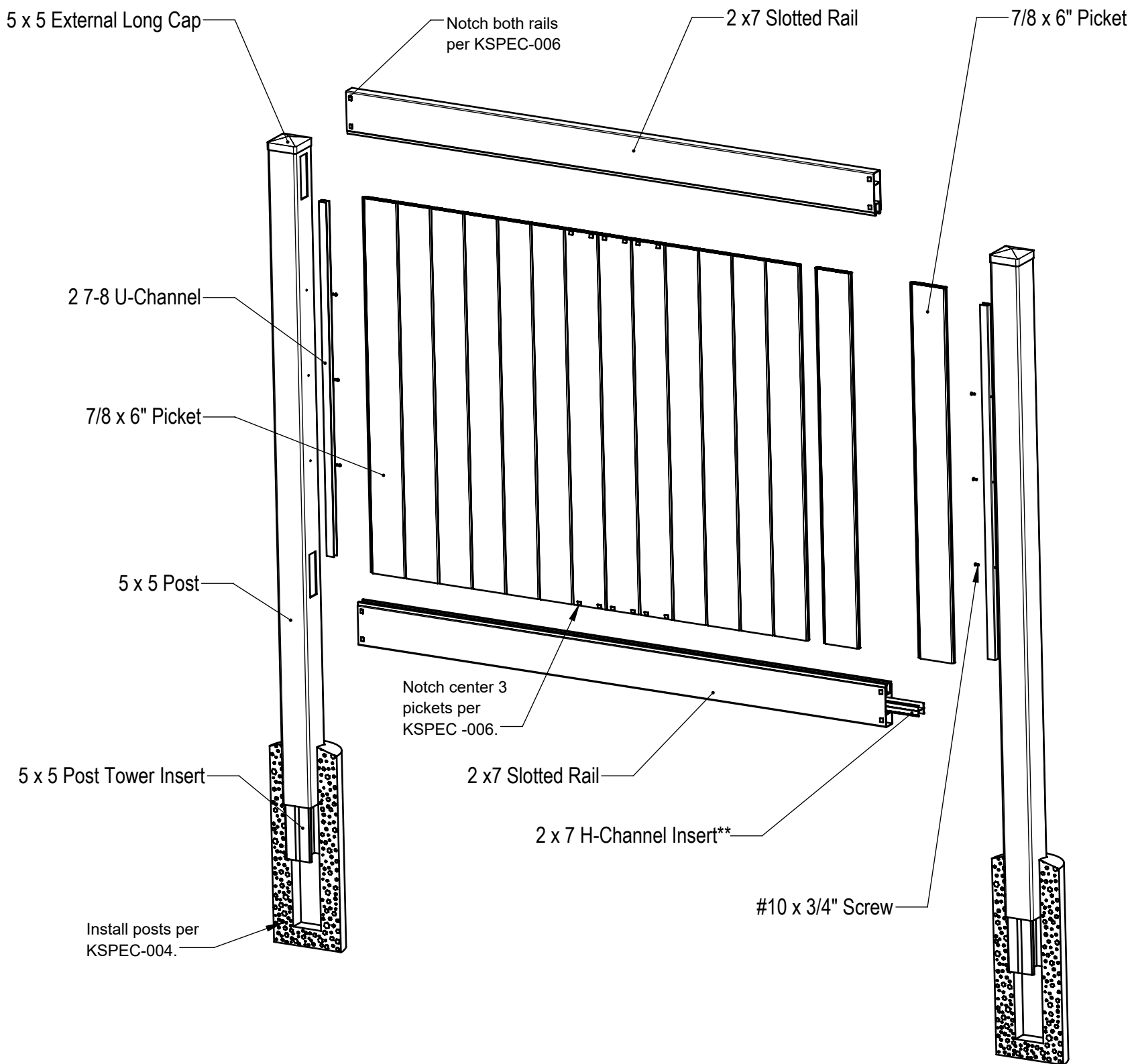
REVISION HISTORY	
REV.	DATE
1	03/01/19

P379

Sheet 1 of 2
 04-14-17

72" H x 96" W Classic Privacy

with 2 x 7 Rails & 7/8 x 6 T&G Pickets

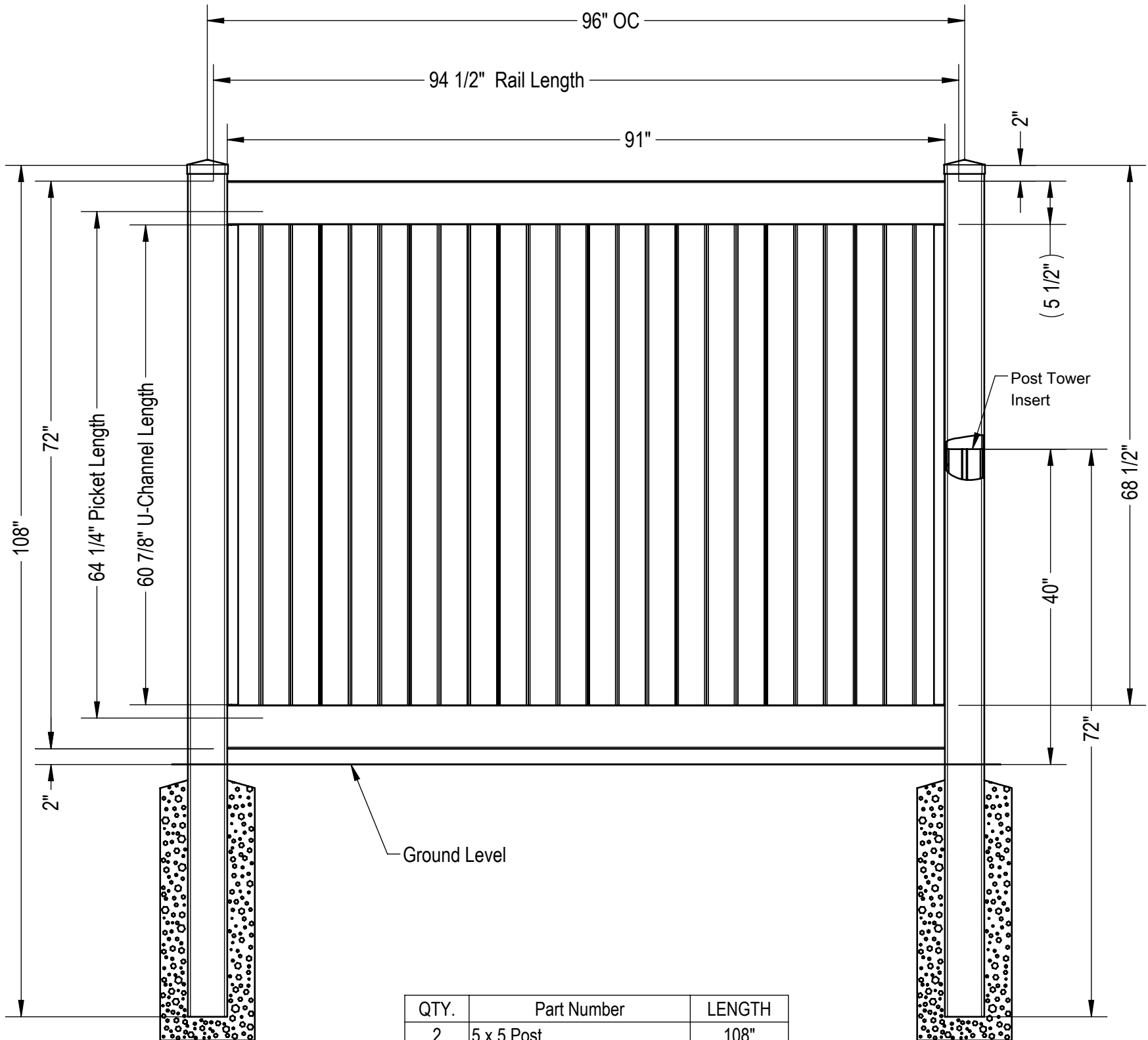


**Aluminum insert required on Khaki and all Woodland Select colors.

THIS DRAWING WAS MADE AND INTENDED FOR USE AS A GUIDE ONLY. ANY PRODUCT SUBSTITUTION OR VARIANCE MAY COMPROMISE THE STRUCTURE, DESIGN AND PERFORMANCE OF THE PRODUCT. NO WARRANTY IS EXPRESSED OR IMPLIED BY THIS DRAWING AND PLY GEM FENCE & RAIL.

72" H x 96" W Classic Privacy

with 1 1/2 x 5 1/2 Rails & 7/8 x 11 T&G Pickets



QTY.	Part Number	LENGTH
2	5 x 5 Post	108"
2	5 x 5 Post Tower Insert	72"
2	1 1/2 x 5 1/2 Slotted Rail	94 1/2"
8	7/8 x 11 1/4" Picket	64 1/4"
2	7/8 U-Channel	60 7/8"
2	5 x 5 External Long Cap	
6	#10 x 3/4" Screw	
	Insert for Khaki and WS colors	
1	1 1/2 x 5 1/2 Sld insert	94 1/2"

Dynamic wind load tested
 Report # H0431.01-119-19-R1
 Tested as KS2131

THIS DRAWING WAS MADE AND INTENDED FOR USE AS A GUIDE ONLY. ANY PRODUCT SUBSTITUTION OR VARIANCE MAY COMPROMISE THE STRUCTURE, DESIGN AND PERFORMANCE OF THE PRODUCT. NO WARRANTY IS EXPRESSED OR IMPLIED BY THIS DRAWING AND PLY GEM FENCE & RAIL.

DRAWINGS ARE CONFIDENTIAL AND ARE THE PROPERTY OF PLY GEM FENCE & RAILING © MAR 2019.

REVISION HISTORY	
REV.	DATE
1	03/01/19

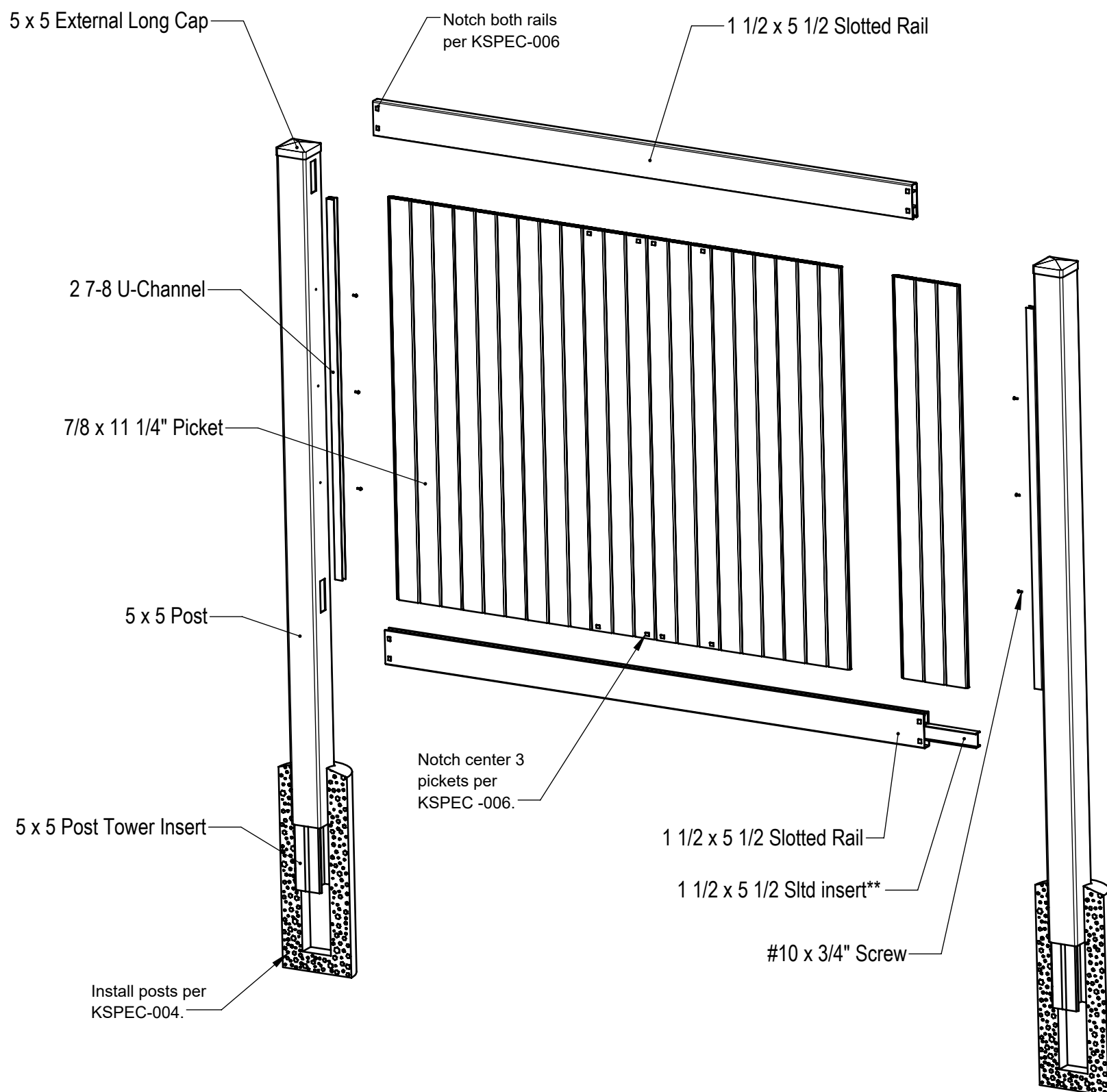
P380

Sheet 1 of 2

04-14-17

72" H x 96" W Classic Privacy

with 1 1/2 x 5 1/2 Rails & 7/8 x 11 T&G Pickets



**Aluminum insert required on Khaki and all Woodland Select colors.

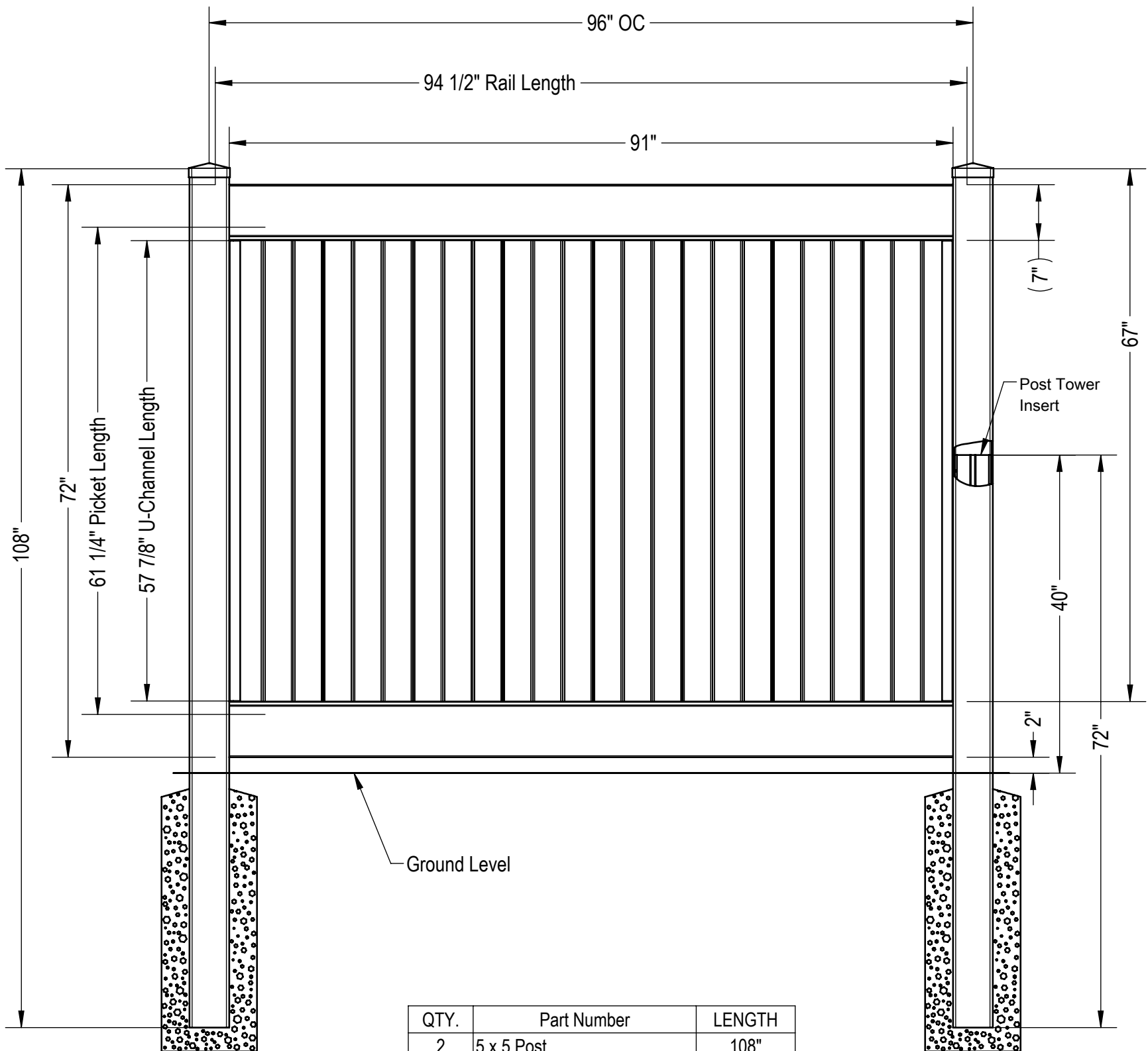
THIS DRAWING WAS MADE AND INTENDED FOR USE AS A GUIDE ONLY. ANY PRODUCT SUBSTITUTION OR VARIANCE MAY COMPROMISE THE STRUCTURE, DESIGN AND PERFORMANCE OF THE PRODUCT. NO WARRANTY IS EXPRESSED OR IMPLIED BY THIS DRAWING AND PLY GEM FENCE & RAIL.

P380

Sheet 2 of 2
04-14-17

72" H x 96" W Classic Privacy

with 2 x 7 Rails & 7/8 x 11 T&G Pickets



QTY.	Part Number	LENGTH
2	5 x 5 Post	108"
2	5 x 5 Post Tower Insert	72"
2	2 x 7 Slotted Rail	94 1/2"
8	7/8 x 11 1/4" Picket	61 1/4"
2	7/8 U-Channel	57 7/8"
2	5 x 5 External Long Cap	
6	#10 x 3/4" Screw	
	Insert for Khaki and WS colors	
1	2 x 7 H-Channel Insert	94 1/2"

Dynamic wind load tested
 Report # H0431.01-119-19-R1
 Tested as KS2132

THIS DRAWING WAS MADE AND INTENDED FOR USE AS A GUIDE ONLY. ANY PRODUCT SUBSTITUTION OR VARIANCE MAY COMPROMISE THE STRUCTURE, DESIGN AND PERFORMANCE OF THE PRODUCT. NO WARRANTY IS EXPRESSED OR IMPLIED BY THIS DRAWING AND PLY GEM FENCE & RAIL.

DRAWINGS ARE CONFIDENTIAL AND ARE THE PROPERTY OF PLY GEM FENCE & RAILING © MAR 2019.

REVISION HISTORY	
REV.	DATE
1	03/01/19

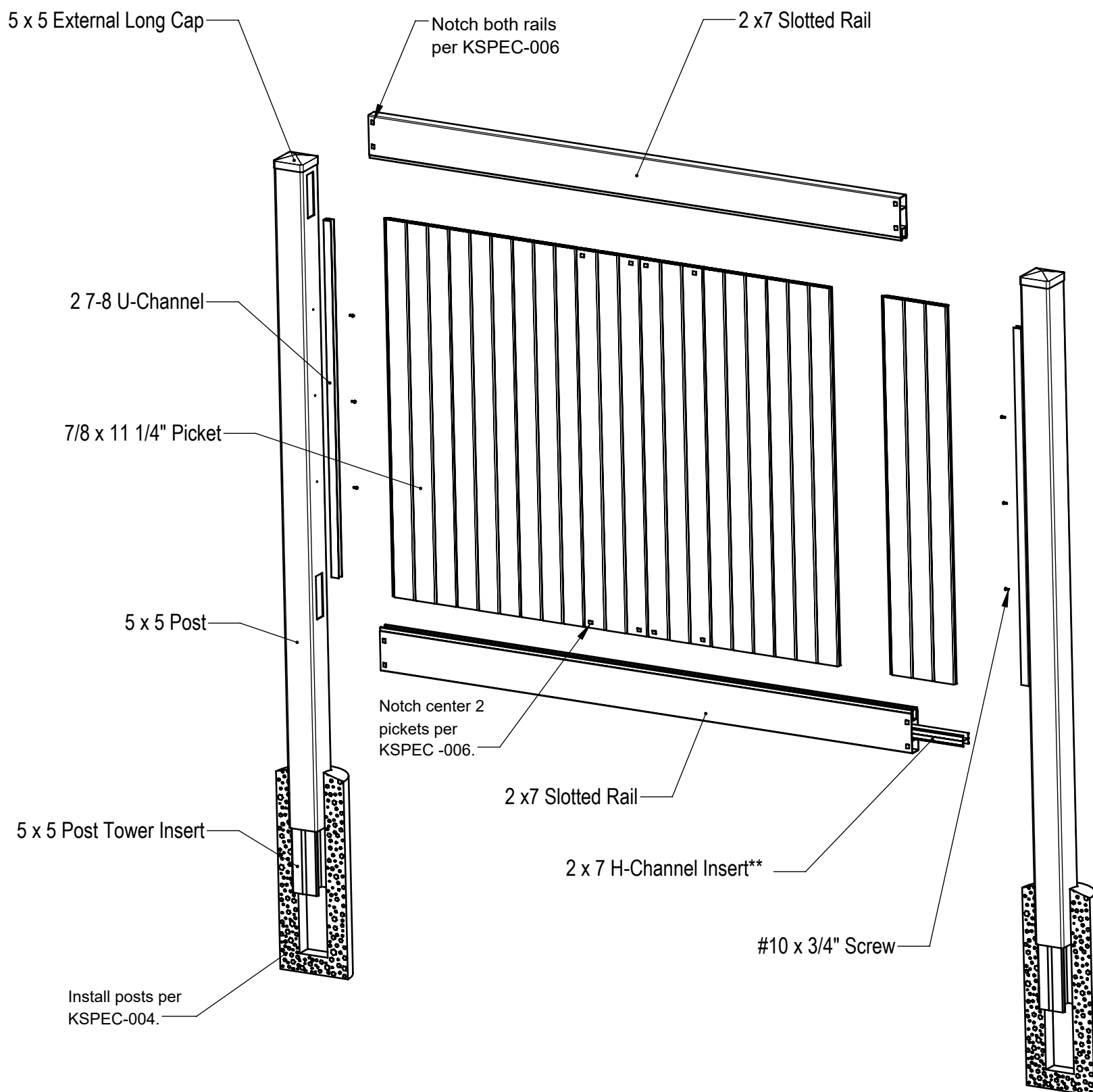
P381

Sheet 1 of 2

04-14-17

72" H x 96" W Classic Privacy

with 2 x 7 Rails & 7/8 x 11 T&G Pickets



**Aluminum insert required on Khaki and all Woodland Select colors.

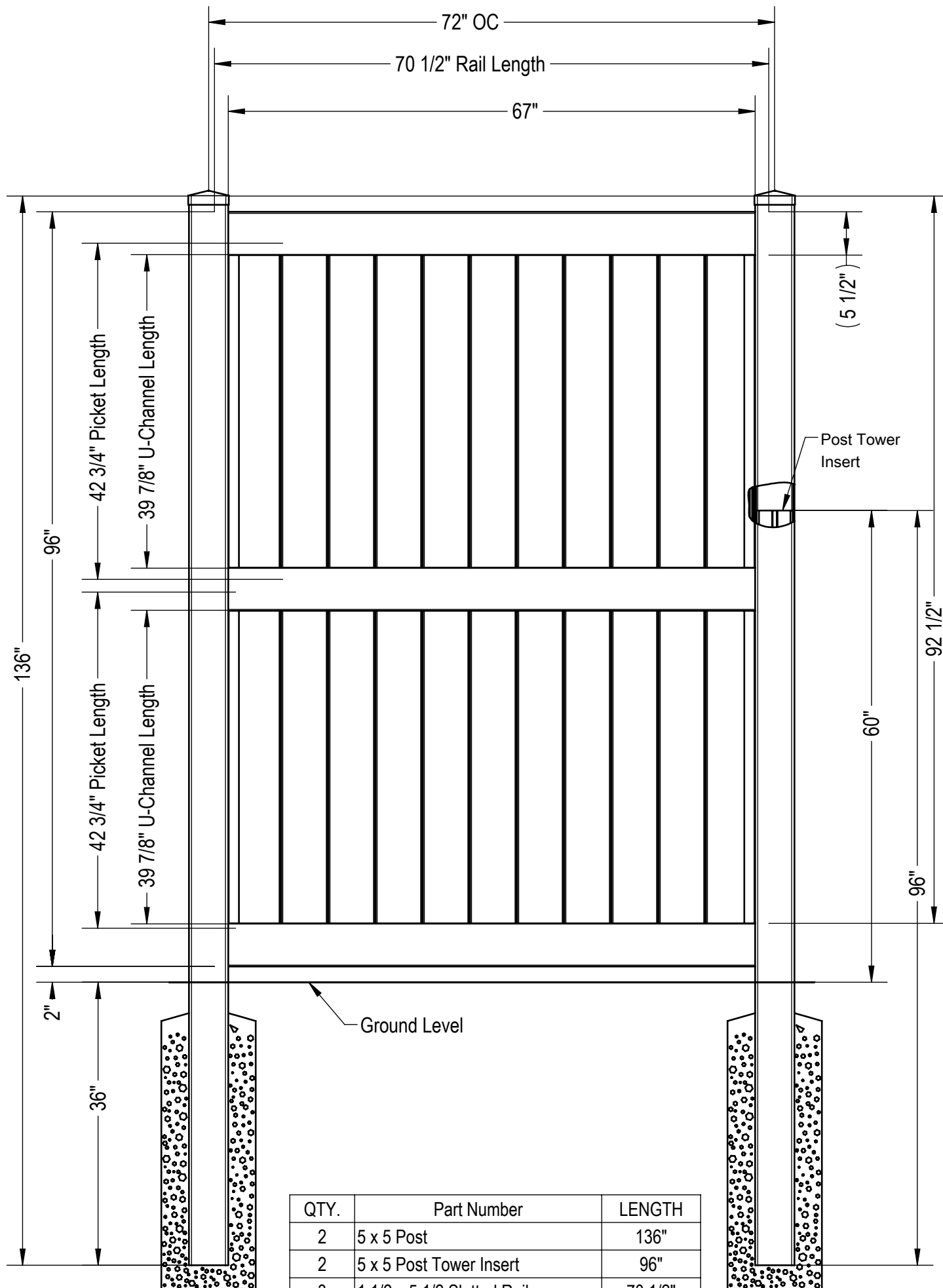
THIS DRAWING WAS MADE AND INTENDED FOR USE AS A GUIDE ONLY. ANY PRODUCT SUBSTITUTION OR VARIANCE MAY COMPROMISE THE STRUCTURE, DESIGN AND PERFORMANCE OF THE PRODUCT. NO WARRANTY IS EXPRESSED OR IMPLIED BY THIS DRAWING AND PLY GEM FENCE & RAIL.

P381

Sheet 2 of 2
04-14-17

96" H x 72" W Classic Privacy

with 1 1/2 x 5 1/2 Rails & 7/8 x 6 T&G Pickets



Dynamic wind load tested
 Report # H0431.01-119-19-R1
 Tested as KS2133

THIS DRAWING WAS MADE AND INTENDED FOR USE AS A GUIDE ONLY. ANY PRODUCT SUBSTITUTION OR VARIANCE MAY COMPROMISE THE STRUCTURE, DESIGN AND PERFORMANCE OF THE PRODUCT. NO WARRANTY IS EXPRESSED OR IMPLIED BY THIS DRAWING AND PLY GEM FENCE & RAIL.

DRAWINGS ARE CONFIDENTIAL AND ARE THE PROPERTY OF PLY GEM FENCE & RAILING © MAR 2019.

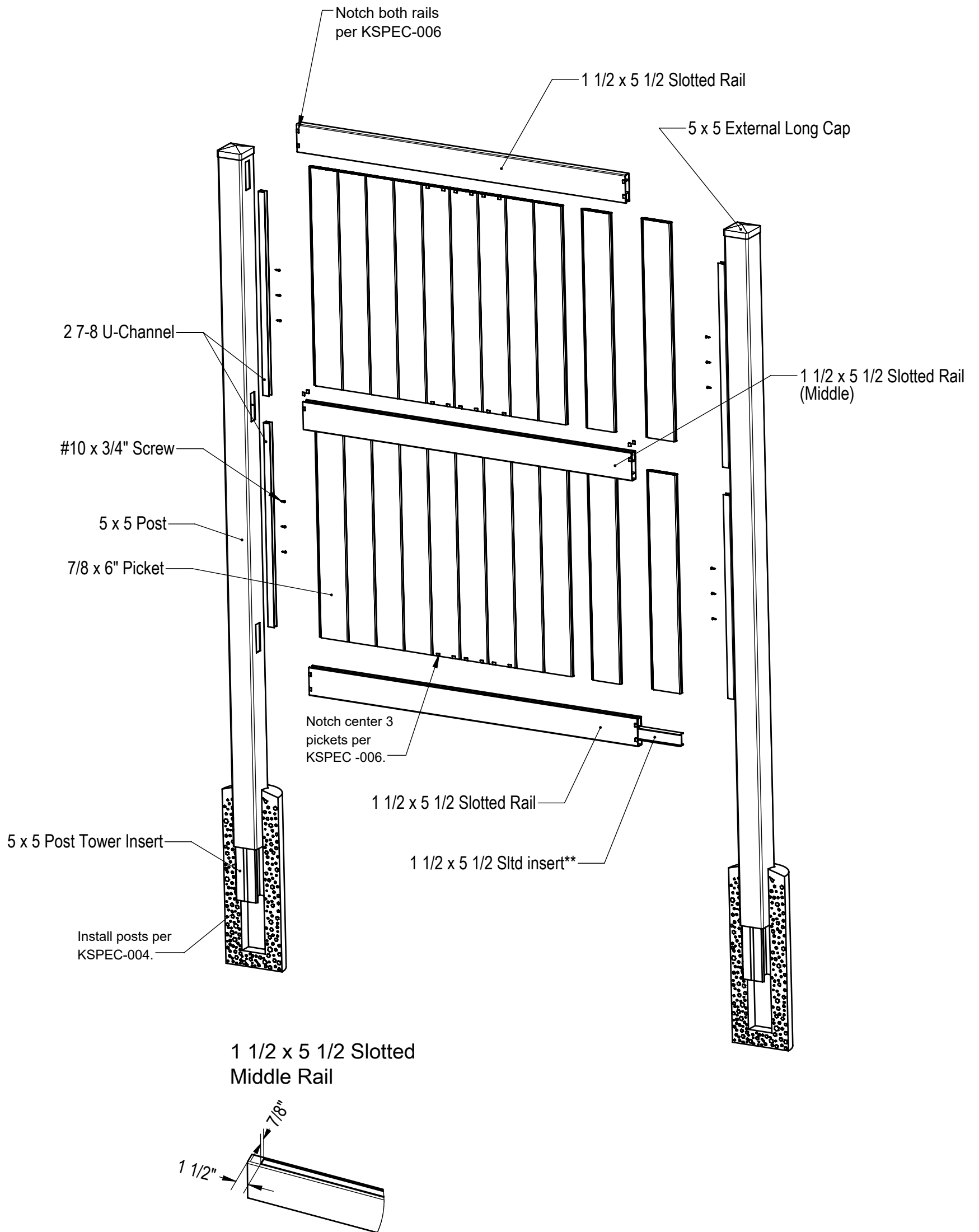
P382

Sheet 1 of 2

04-14-17

96" H x 72" W Classic Privacy

with 1 1/2 x 5 1/2 Rails & 7/8 x 6 T&G Pickets



**Aluminum insert required on Khaki and all Woodland Select colors.

THIS DRAWING WAS MADE AND INTENDED FOR USE AS A GUIDE ONLY. ANY PRODUCT SUBSTITUTION OR VARIANCE MAY COMPROMISE THE STRUCTURE, DESIGN AND PERFORMANCE OF THE PRODUCT. NO WARRANTY IS EXPRESSED OR IMPLIED BY THIS DRAWING AND PLY GEM FENCE & RAIL.

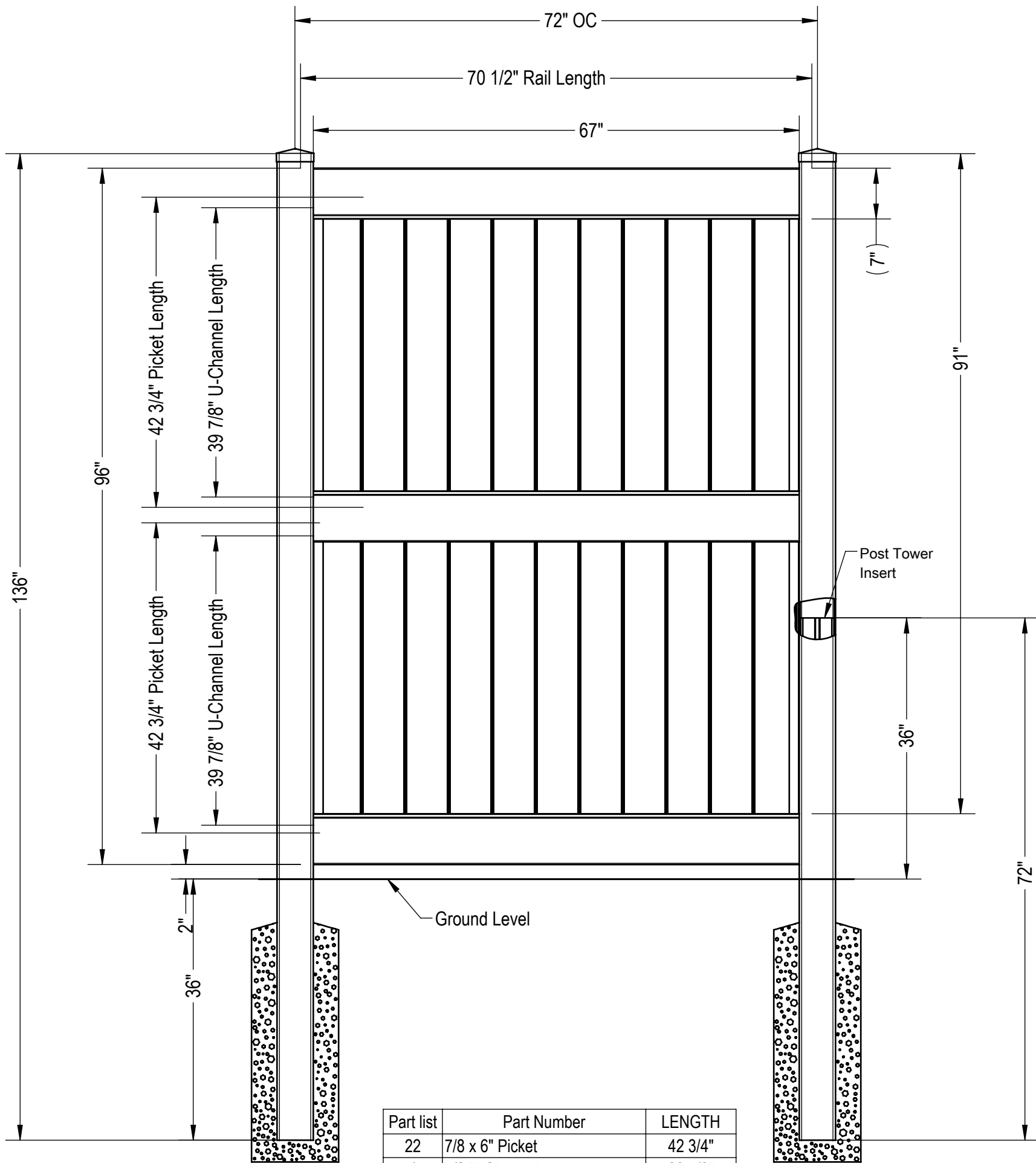
DRAWINGS ARE CONFIDENTIAL AND ARE THE PROPERTY OF PLY GEM FENCE & RAILING © MAR 2019.

P382

Sheet 2 of 2
04-14-17

96" H x 72" W Classic Privacy

with 1 1/2 x 5 1/2 Rails & 7/8 x 6 T&G Pickets



Part list	Part Number	LENGTH
22	7/8 x 6" Picket	42 3/4"
4	7/8 U-Channel	39 7/8"
2	5 x 5 Post	136"
2	5 x 5 Post Tower Insert	72"
2	2 x7 Slotted Rail	70 1/2"
1	2 x 7 H-Channel Insert	70 1/2"
1	2 x7 Slotted Rail	70 1/2"
2	5 x 5 External Long Cap	
12	#10 x 3/4" Screw	
	Insert for Khaki and WS colors	

Dynamic wind load tested
 Report # H0431.01-119-19-R1
 Tested as KS2133

THIS DRAWING WAS MADE AND INTENDED FOR USE AS A GUIDE ONLY. ANY PRODUCT SUBSTITUTION OR VARIANCE MAY COMPROMISE THE STRUCTURE, DESIGN AND PERFORMANCE OF THE PRODUCT. NO WARRANTY IS EXPRESSED OR IMPLIED BY THIS DRAWING AND PLY GEM FENCE & RAIL.

DRAWINGS ARE CONFIDENTIAL AND ARE THE PROPERTY OF PLY GEM FENCE & RAILING © MAR 2019.

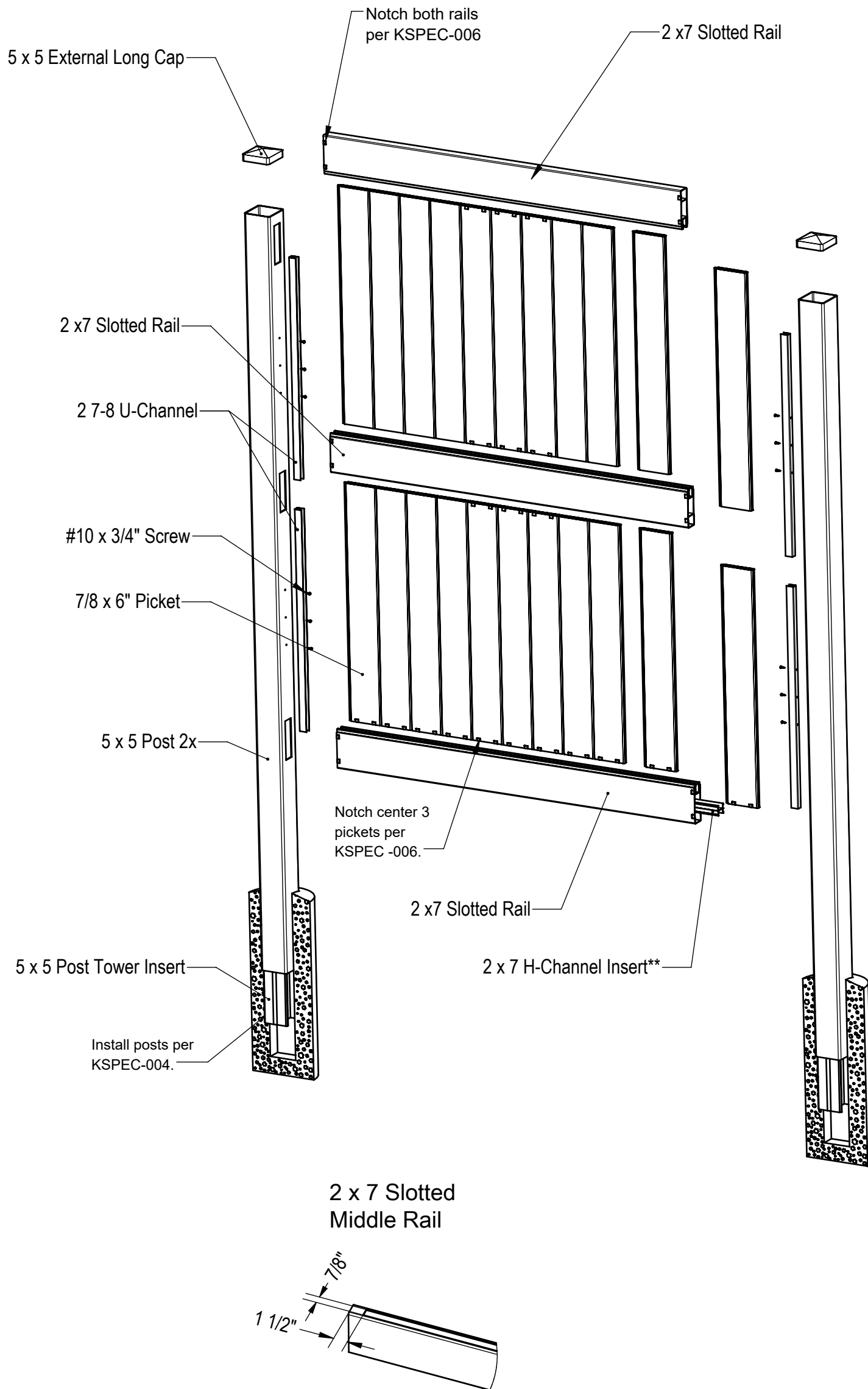
P383

Sheet 1 of 2

04-14-17

96" H x 72" W Classic Privacy

with 1 1/2 x 5 1/2 Rails & 7/8 x 6 T&G Pickets



**Aluminum insert required on Khaki and all Woodland Select colors.

THIS DRAWING WAS MADE AND INTENDED FOR USE AS A GUIDE ONLY. ANY PRODUCT SUBSTITUTION OR VARIANCE MAY COMPROMISE THE STRUCTURE, DESIGN AND PERFORMANCE OF THE PRODUCT. NO WARRANTY IS EXPRESSED OR IMPLIED BY THIS DRAWING AND PLY GEM FENCE & RAIL.

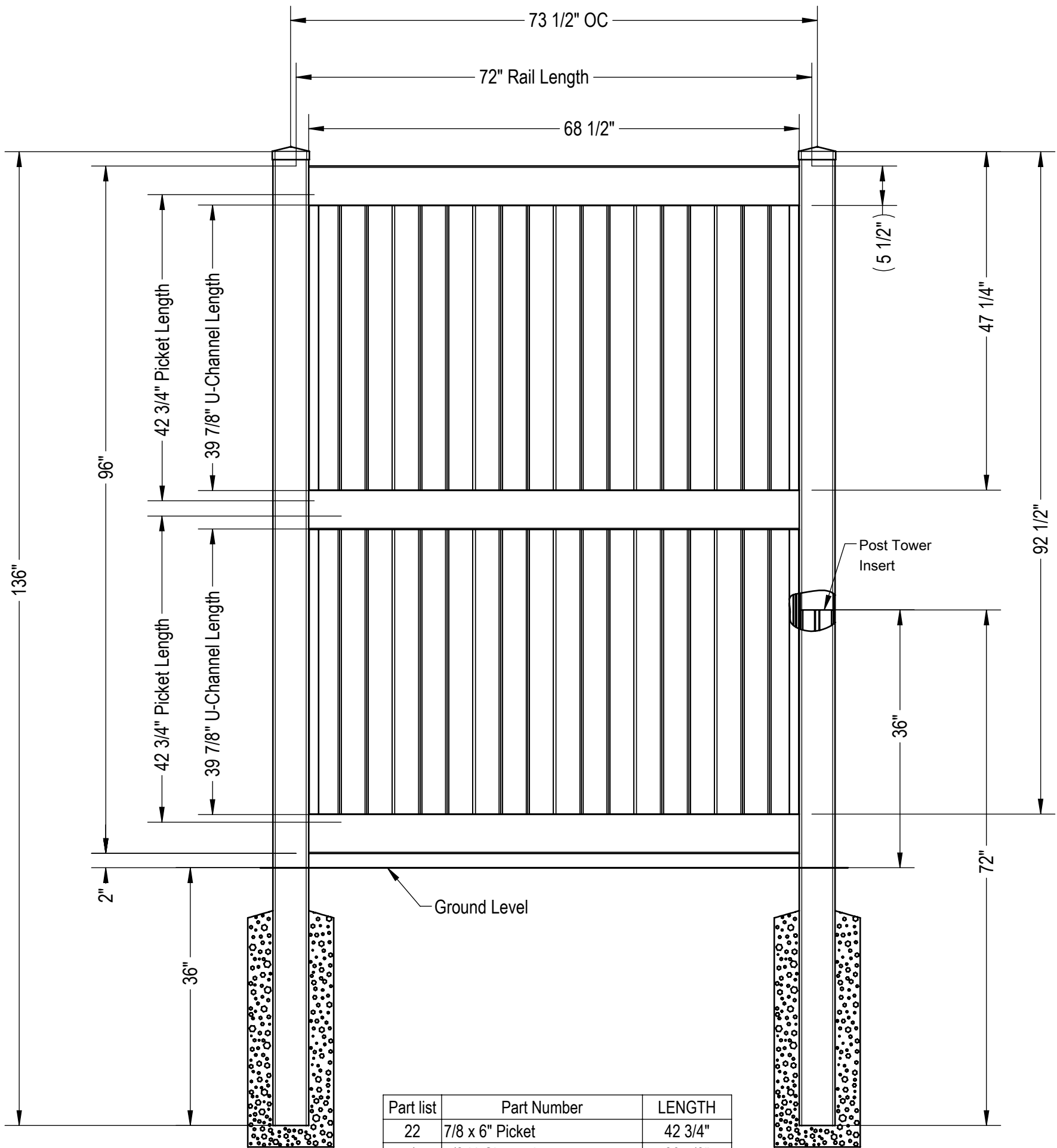
DRAWINGS ARE CONFIDENTIAL AND ARE THE PROPERTY OF PLY GEM FENCE & RAILING © MAR 2019.

P383

Sheet 2 of 2
04-14-17

96" H x 73 1/2" W Classic Privacy

with 1 1/2 x 5 1/2 Rails & 7/8 x 11 1/4 T&G Pickets



Part list	Part Number	LENGTH
22	7/8 x 6" Picket	42 3/4"
4	7/8 U-Channel	39 7/8"
2	5 x 5 Post	136"
2	5 x 5 Post Tower Insert	72"
3	2 x7 Slotted Rail	70 1/2"
1	2 x 7 H-Channel Insert	70 1/2"
2	5 x 5 External Long Cap	
12	#10 x 3/4" Screw	
	Insert for Khaki and WS colors	

Dynamic wind load tested
 Report # H0431.01-119-19-R1
 Tested as KS2135

THIS DRAWING WAS MADE AND INTENDED FOR USE AS A GUIDE ONLY. ANY PRODUCT SUBSTITUTION OR VARIANCE MAY COMPROMISE THE STRUCTURE, DESIGN AND PERFORMANCE OF THE PRODUCT. NO WARRANTY IS EXPRESSED OR IMPLIED BY THIS DRAWING AND PLY GEM FENCE & RAIL.

DRAWINGS ARE CONFIDENTIAL AND ARE THE PROPERTY OF PLY GEM FENCE & RAILING © MAR 2019.

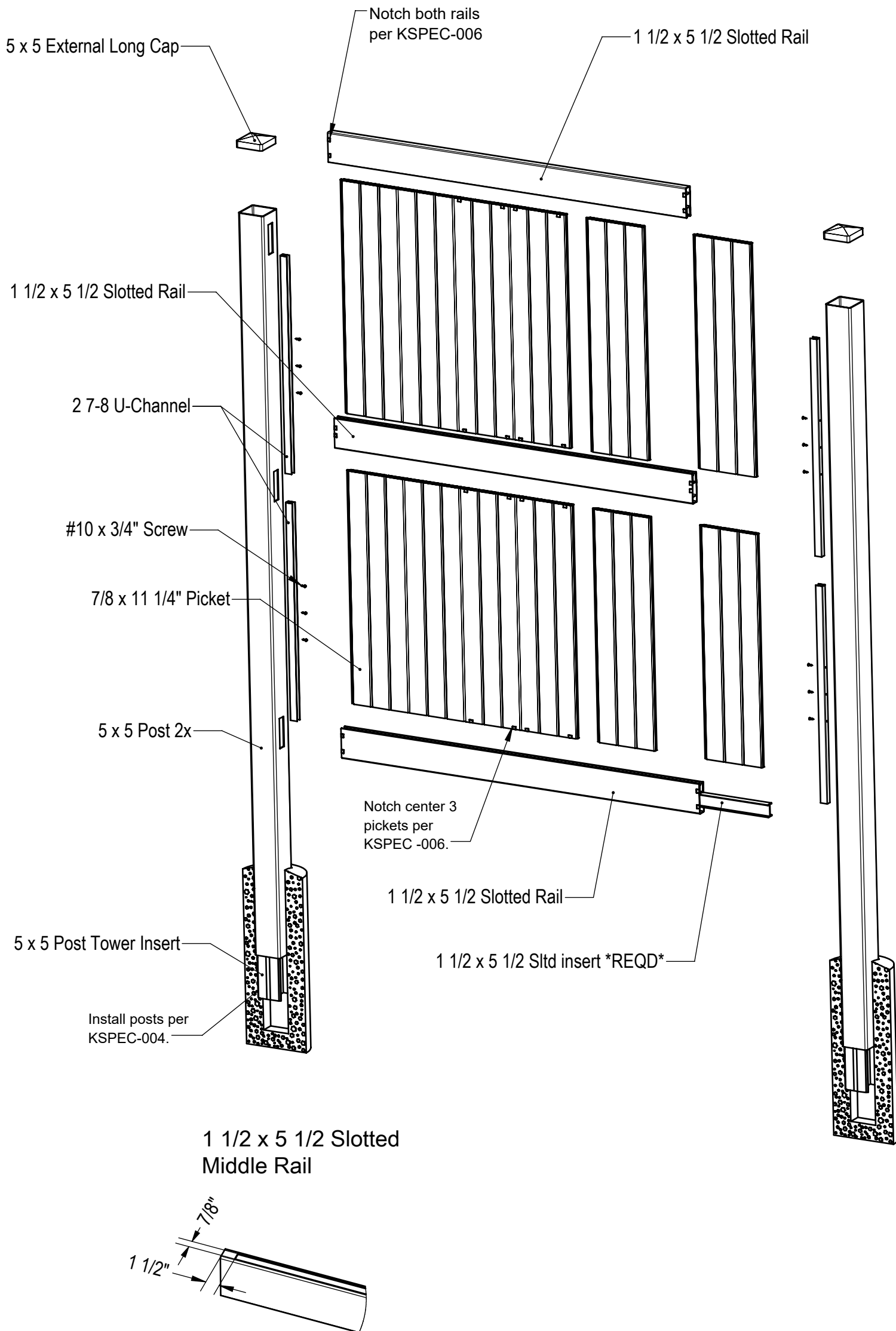
P384

Sheet 1 of 2

04-14-17

96" H x 73 1/2" W Classic Privacy

with 1 1/2 x 5 1/2 Rails & 7/8 x 11 1/4 T&G Pickets



****Aluminum insert required on Khaki and all Woodland Select colors.**

THIS DRAWING WAS MADE AND INTENDED FOR USE AS A GUIDE ONLY. ANY PRODUCT SUBSTITUTION OR VARIANCE MAY COMPROMISE THE STRUCTURE, DESIGN AND PERFORMANCE OF THE PRODUCT. NO WARRANTY IS EXPRESSED OR IMPLIED BY THIS DRAWING AND PLY GEM FENCE & RAIL.

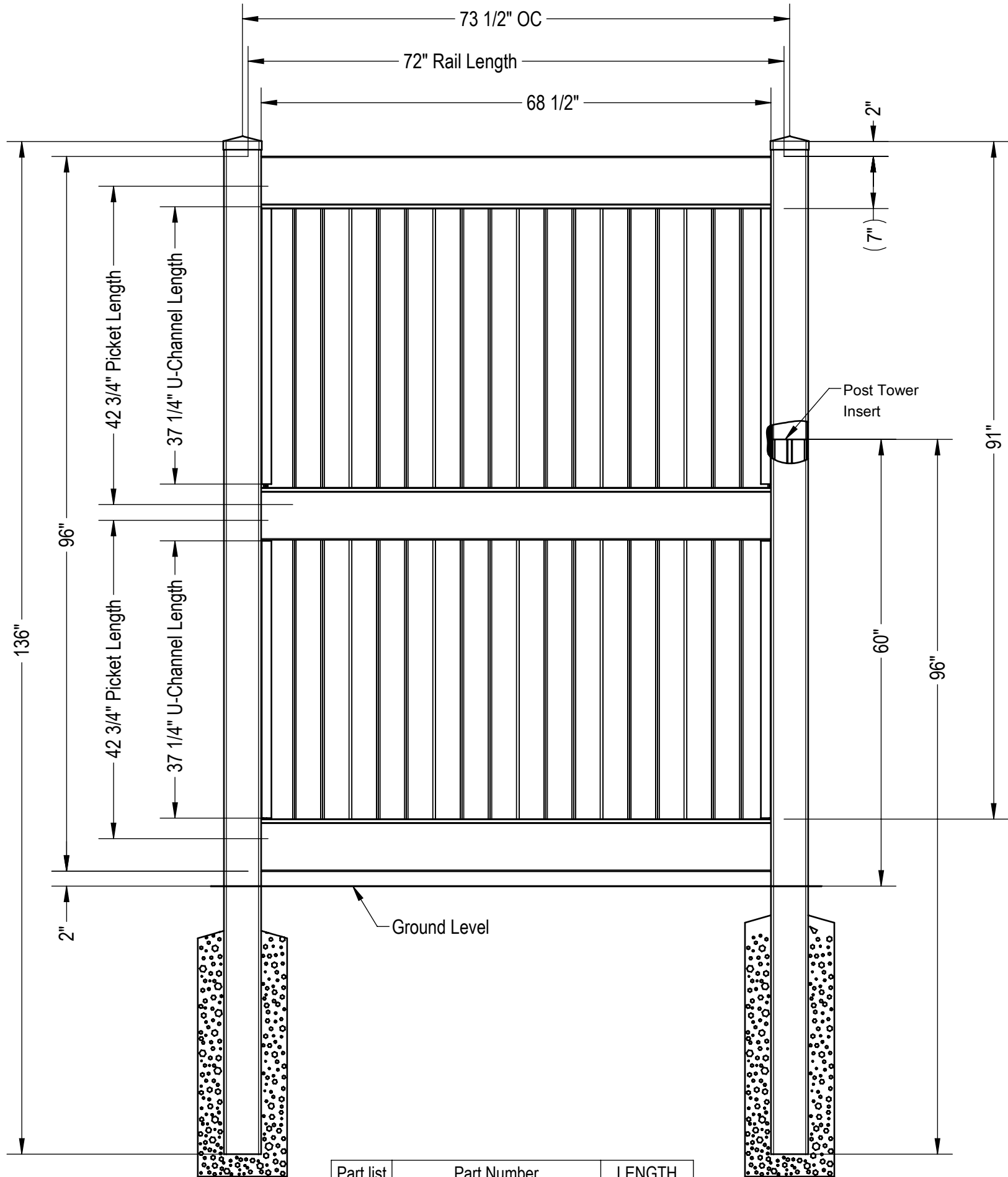
DRAWINGS ARE CONFIDENTIAL AND ARE THE PROPERTY OF PLY GEM FENCE & RAILING © MAR 2019.

P384

Sheet 2 of 2
04-14-17

96" H x 73 1/2" W Classic Privacy

with 1 1/2 x 5 1/2 Rails & 7/8 x 11 1/4 T&G Picket



Part list	Part Number	LENGTH
4	7/8 U-Channel	39 7/8"
2	5 x 5 Post	136"
2	5 x 5 Post Tower Insert	72"
3	2 x7 Slotted Rail	70 1/2"
1	2 x 7 H-Channel Insert	70 1/2"
2	5 x 5 External Long Cap	
2	7/8 x 11 1/4" Picket	42 3/4"
12	#10 x 3/4" Screw	
	Insert for Khaki and WS colors	

Dynamic wind load tested
 Report # H0431.01-119-19-R1
 Tested as KS2136

THIS DRAWING WAS MADE AND INTENDED FOR USE AS A GUIDE ONLY. ANY PRODUCT SUBSTITUTION OR VARIANCE MAY COMPROMISE THE STRUCTURE, DESIGN AND PERFORMANCE OF THE PRODUCT. NO WARRANTY IS EXPRESSED OR IMPLIED BY THIS DRAWING AND PLY GEM FENCE & RAIL.

DRAWINGS ARE CONFIDENTIAL AND ARE THE PROPERTY OF PLY GEM FENCE & RAILING © MAR 2019.

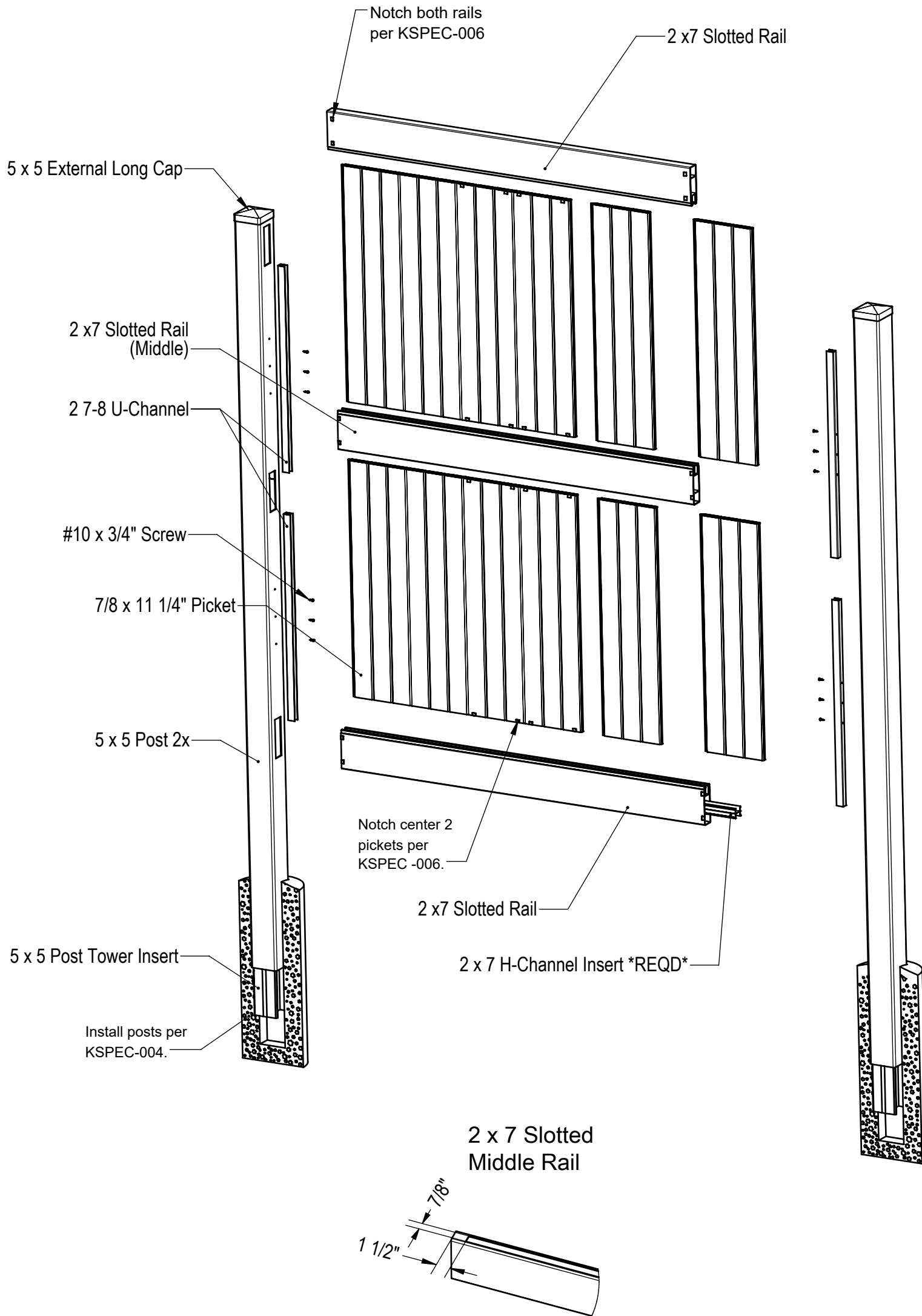
P385

Sheet 1 of 2

04-14-17

96" H x 73 1/2" W Classic Privacy

with 1 1/2 x 5 1/2 Rails & 7/8 x 11 1/4 T&G Picket



****Aluminum insert required on Khaki and all Woodland Select colors.**

THIS DRAWING WAS MADE AND INTENDED FOR USE AS A GUIDE ONLY. ANY PRODUCT SUBSTITUTION OR VARIANCE MAY COMPROMISE THE STRUCTURE, DESIGN AND PERFORMANCE OF THE PRODUCT. NO WARRANTY IS EXPRESSED OR IMPLIED BY THIS DRAWING AND PLY GEM FENCE & RAIL.

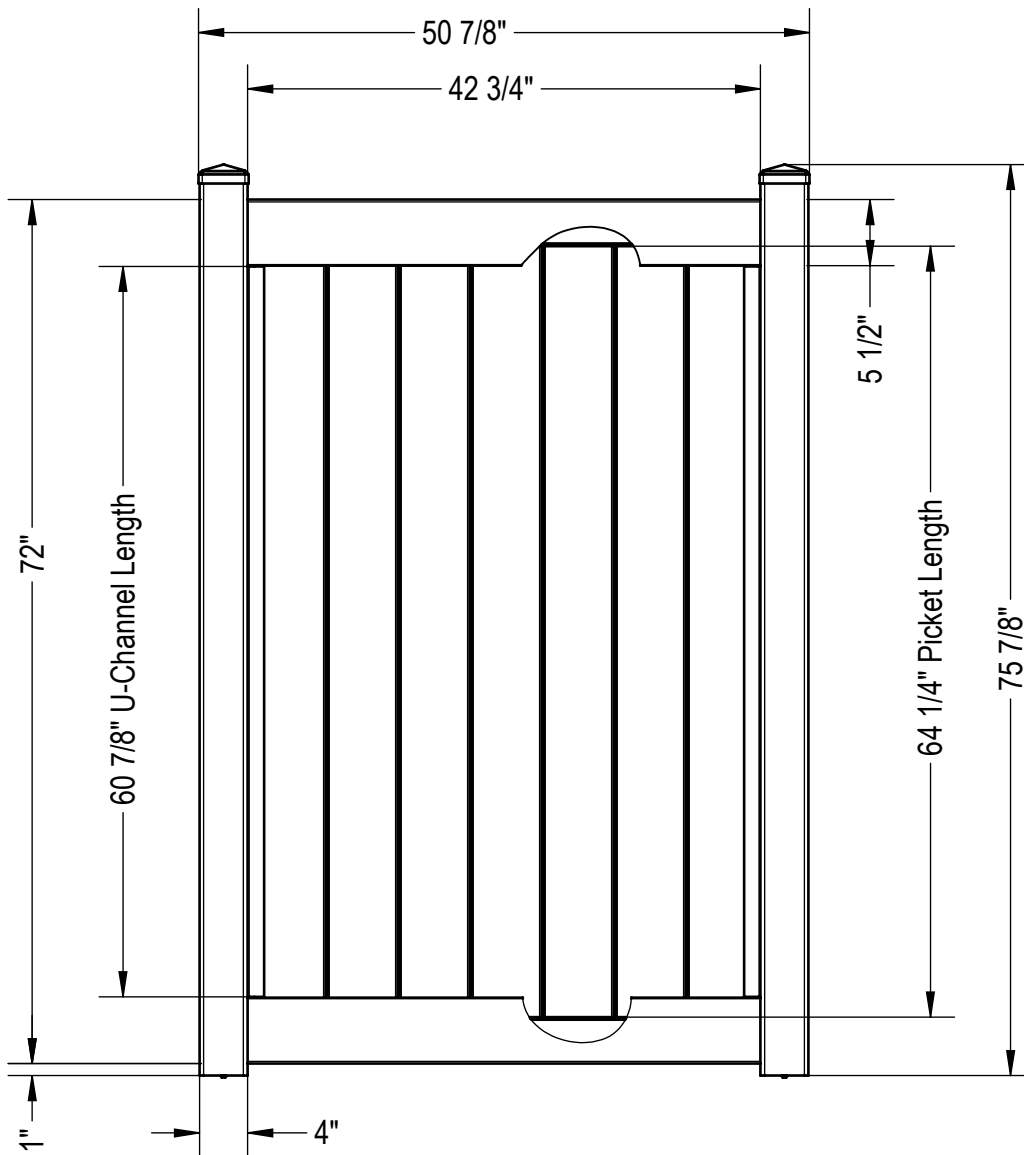
DRAWINGS ARE CONFIDENTIAL AND ARE THE PROPERTY OF PLY GEM FENCE & RAILING © MAR 2019.

P385

Sheet 2 of 2
04-14-17

72" H x 50" W Classic Privacy Gate

with 1 1/2 x 5 1/2 Rails & 7/8 x 6 T&G Picket



QTY	PART NUMBER	LENGTH
2	5 x 5 Post STD	75"
2	1 1/2 x 5 1/2 Slotted Rail	50 7/16"
7	7/8 x 6" Picket	64 1/4"
2	7/8 U-Channel	60 7/8"
4	1 1/2 x 5 1/2 x 4 Pocket Gate Block	
2	4 x 4 Decorative Cap	
4	1/4" x 8 timber screw	8"
6	#10 x 3/4" Screw	

THIS DRAWING WAS MADE AND INTENDED FOR USE AS A GUIDE ONLY. ANY PRODUCT SUBSTITUTION OR VARIANCE MAY COMPROMISE THE STRUCTURE, DESIGN AND PERFORMANCE OF THE PRODUCT. NO WARRANTY IS EXPRESSED OR IMPLIED BY THIS DRAWING AND PLY GEM FENCE & RAIL.

DRAWINGS ARE CONFIDENTIAL AND ARE THE PROPERTY OF PLY GEM FENCE & RAILING © MAR 2019.

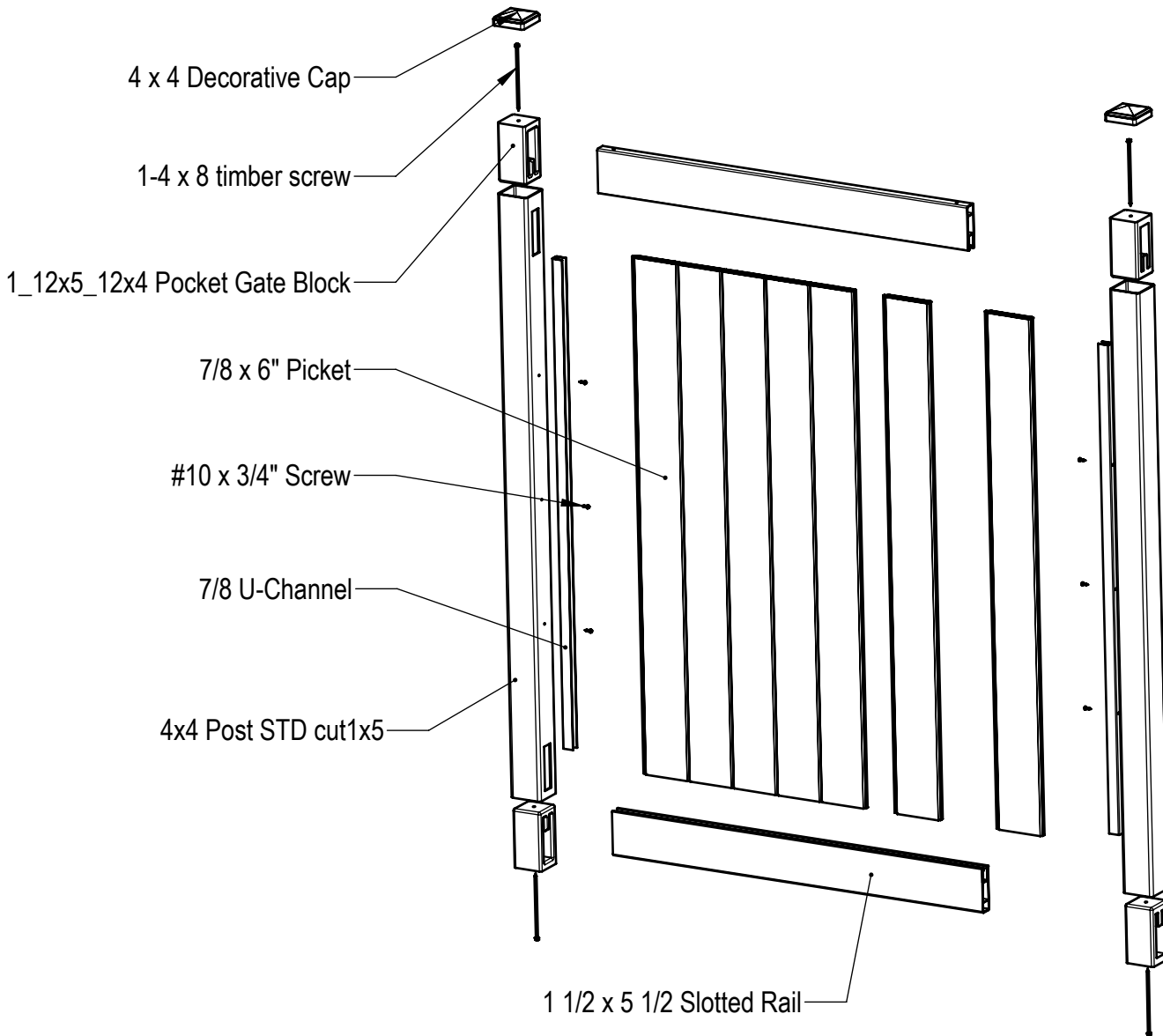
P386

Sheet 1 of 2

04-14-17

72" H x 50 W Classic Privacy Gate

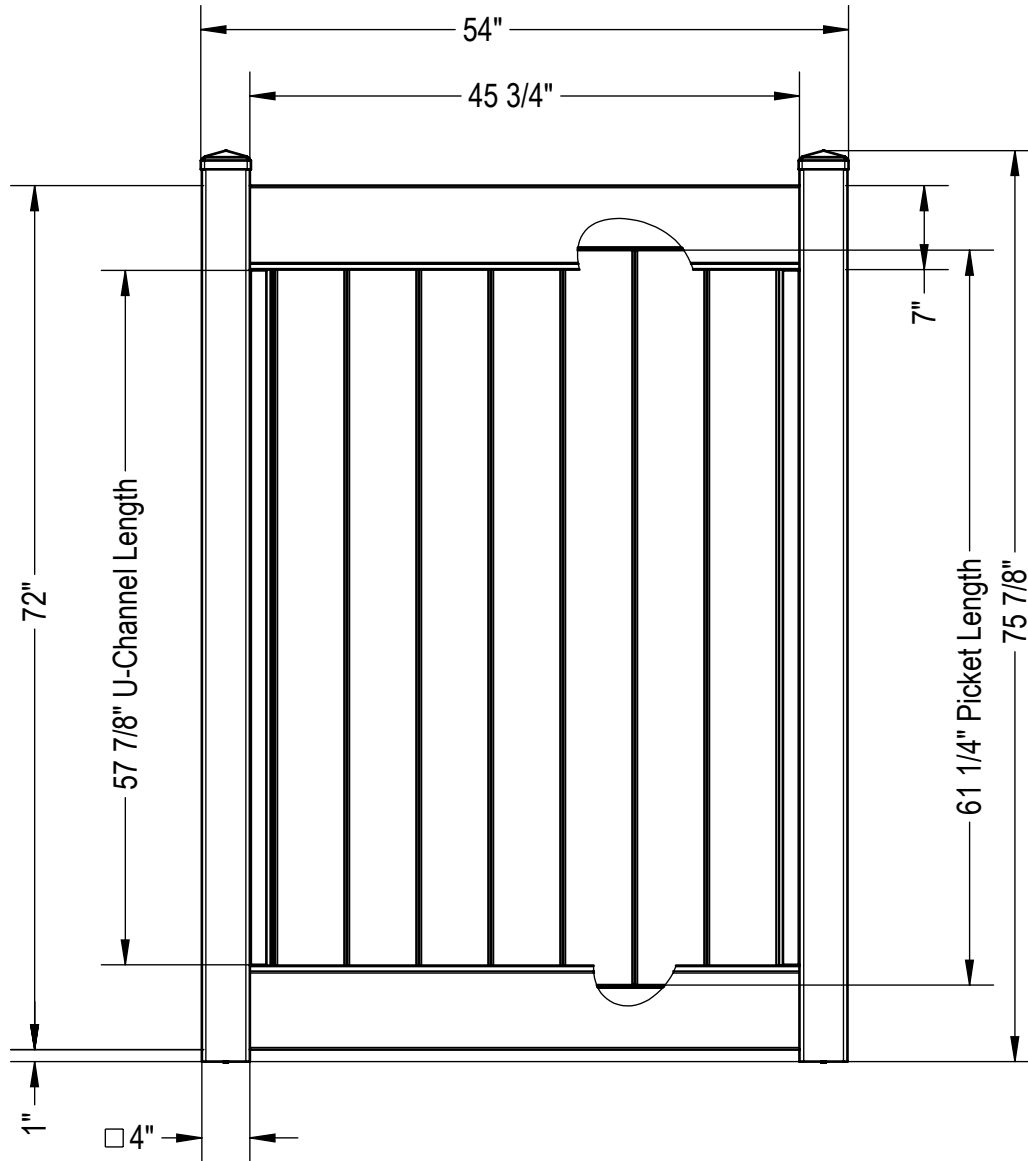
with 1 1/2 x 5 1/2 Rails & 7/8 x 6 T&G Picket



THIS DRAWING WAS MADE AND INTENDED FOR USE AS A GUIDE ONLY. ANY PRODUCT SUBSTITUTION OR VARIANCE MAY COMPROMISE THE STRUCTURE, DESIGN AND PERFORMANCE OF THE PRODUCT. NO WARRANTY IS EXPRESSED OR IMPLIED BY THIS DRAWING AND PLY GEM FENCE & RAIL.

72" H x 50" W Classic Privacy Gate

with 2 x 7 Rails & 7/8 x 6 T&G Picket



Part list	PART NUMBER	LENGTH
2	5 x 5 Post	75"
2	2 x 7 Slotted Rail	53 1/2"
7	7/8 x 6" Picket	61 1/4"
2	7/8 U-Channel	57 7/8"
4	2 x 7 x 4 Pocket Gate Block	
6	#10 x 3/4" Screw	
2	4 x 4 Decorative Cap	
6	1/4" x 8 timber screw	8"

THIS DRAWING WAS MADE AND INTENDED FOR USE AS A GUIDE ONLY. ANY PRODUCT SUBSTITUTION OR VARIANCE MAY COMPROMISE THE STRUCTURE, DESIGN AND PERFORMANCE OF THE PRODUCT. NO WARRANTY IS EXPRESSED OR IMPLIED BY THIS DRAWING AND PLY GEM FENCE & RAIL.

DRAWINGS ARE CONFIDENTIAL AND ARE THE PROPERTY OF PLY GEM FENCE & RAILING © MAR 2019.

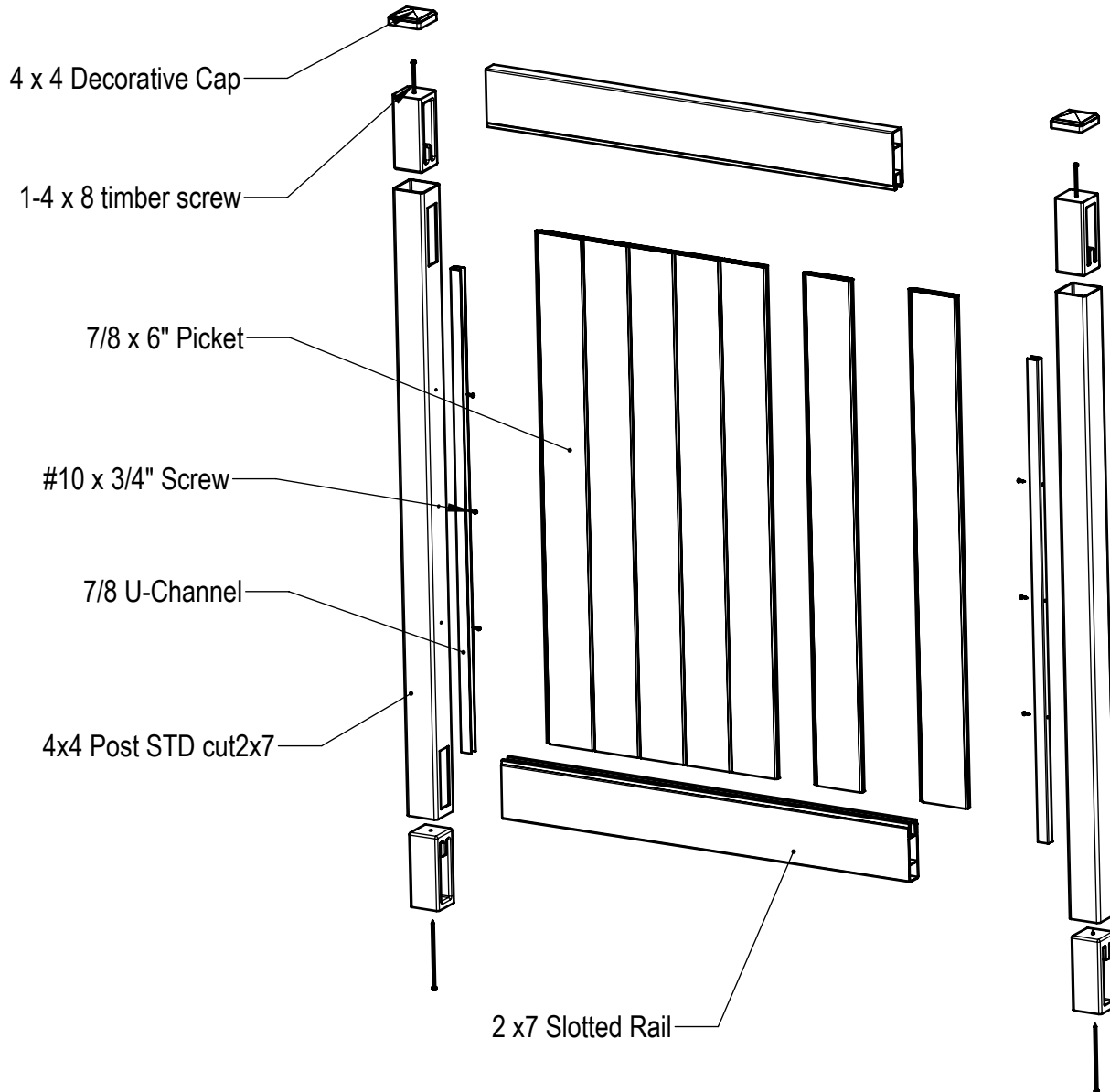
P387

Sheet 1 of 2

04-14-17

72" H x 50 W Classic Privacy Gate

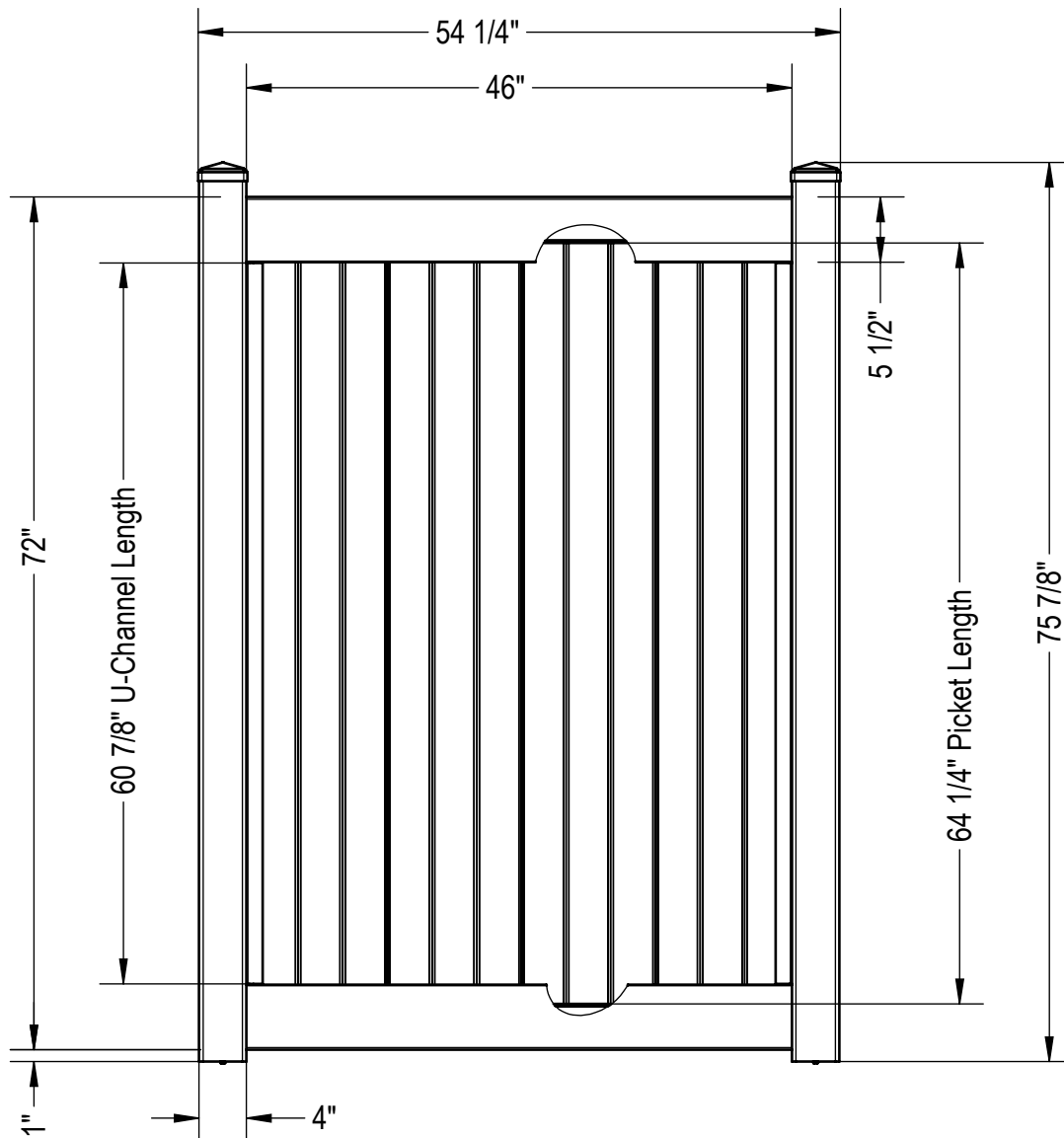
with 2 x 7 Rails & 7/8 x 6 T&G Picket



THIS DRAWING WAS MADE AND INTENDED FOR USE AS A GUIDE ONLY. ANY PRODUCT SUBSTITUTION OR VARIANCE MAY COMPROMISE THE STRUCTURE, DESIGN AND PERFORMANCE OF THE PRODUCT. NO WARRANTY IS EXPRESSED OR IMPLIED BY THIS DRAWING AND PLY GEM FENCE & RAIL.

72" H x 54" W Classic Privacy Gate

with 1 1/2 x 5 1/2 Rails & 7/8 x 11 1/4 T&G Picket



QTY	PART NUMBER	LENGTH
2	5 x 5 Post STD	75"
1	1 1/2 x 5 1/2 Slotted Rail	50 7/16"
4	7/8 x 11 1/4" Picket	64 1/4"
2	7/8 U-Channel	60 7/8"
4	1 1/2 x 5 1/2 x 4 Pocket Gate Block	
2	4 x 4 Decorative Cap	
4	1/4" x 8 timber screw	8"
6	#10 x 3/4" Screw	
1	1 1/2 x 5 1/2 Slotted Rail	53 3/4"

THIS DRAWING WAS MADE AND INTENDED FOR USE AS A GUIDE ONLY. ANY PRODUCT SUBSTITUTION OR VARIANCE MAY COMPROMISE THE STRUCTURE, DESIGN AND PERFORMANCE OF THE PRODUCT. NO WARRANTY IS EXPRESSED OR IMPLIED BY THIS DRAWING AND PLY GEM FENCE & RAIL.

DRAWINGS ARE CONFIDENTIAL AND ARE THE PROPERTY OF PLY GEM FENCE & RAILING © MAR 2019.

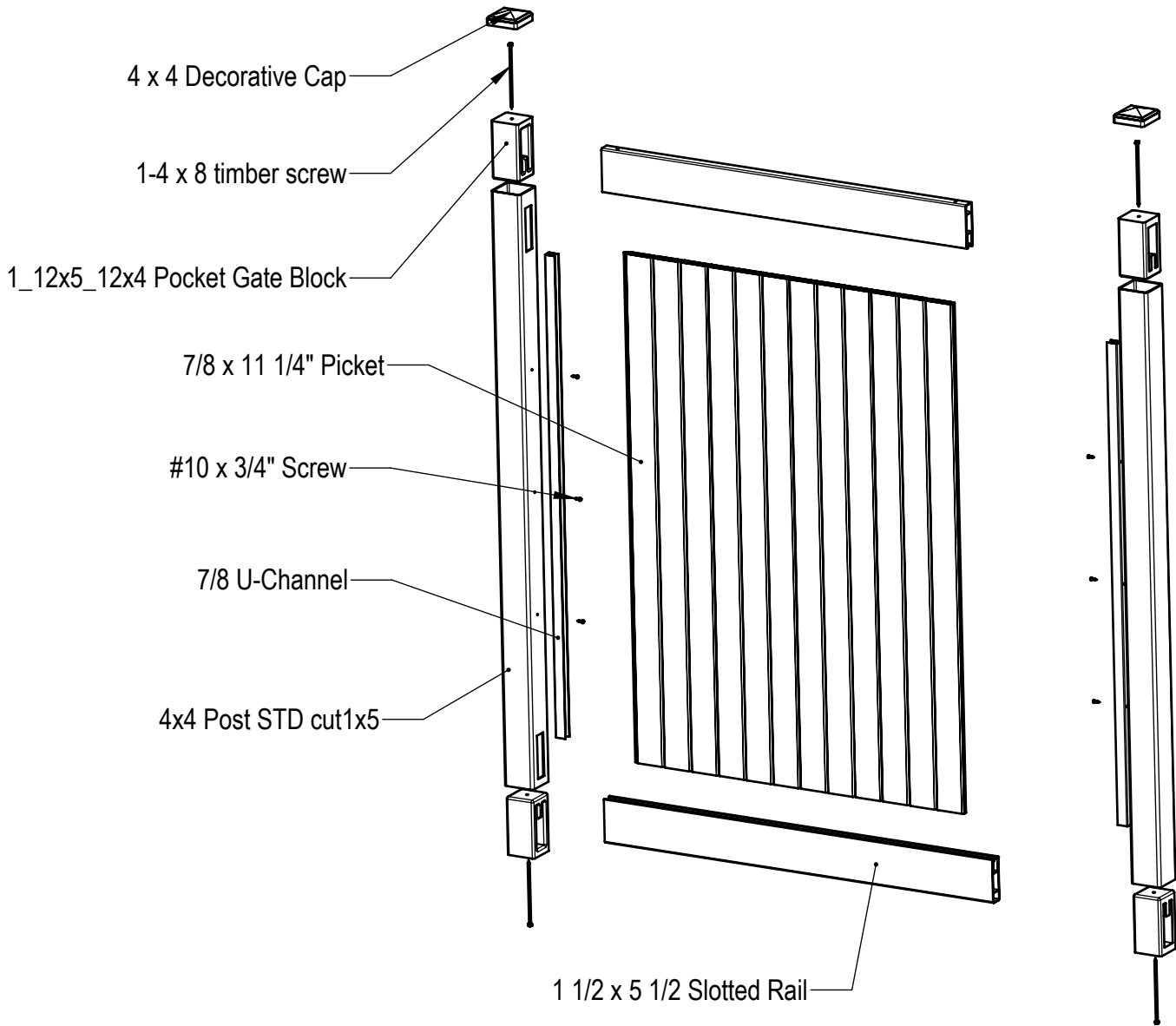
P388

Sheet 1 of 2

04-14-17

72" H x 54 W Classic Privacy Gate

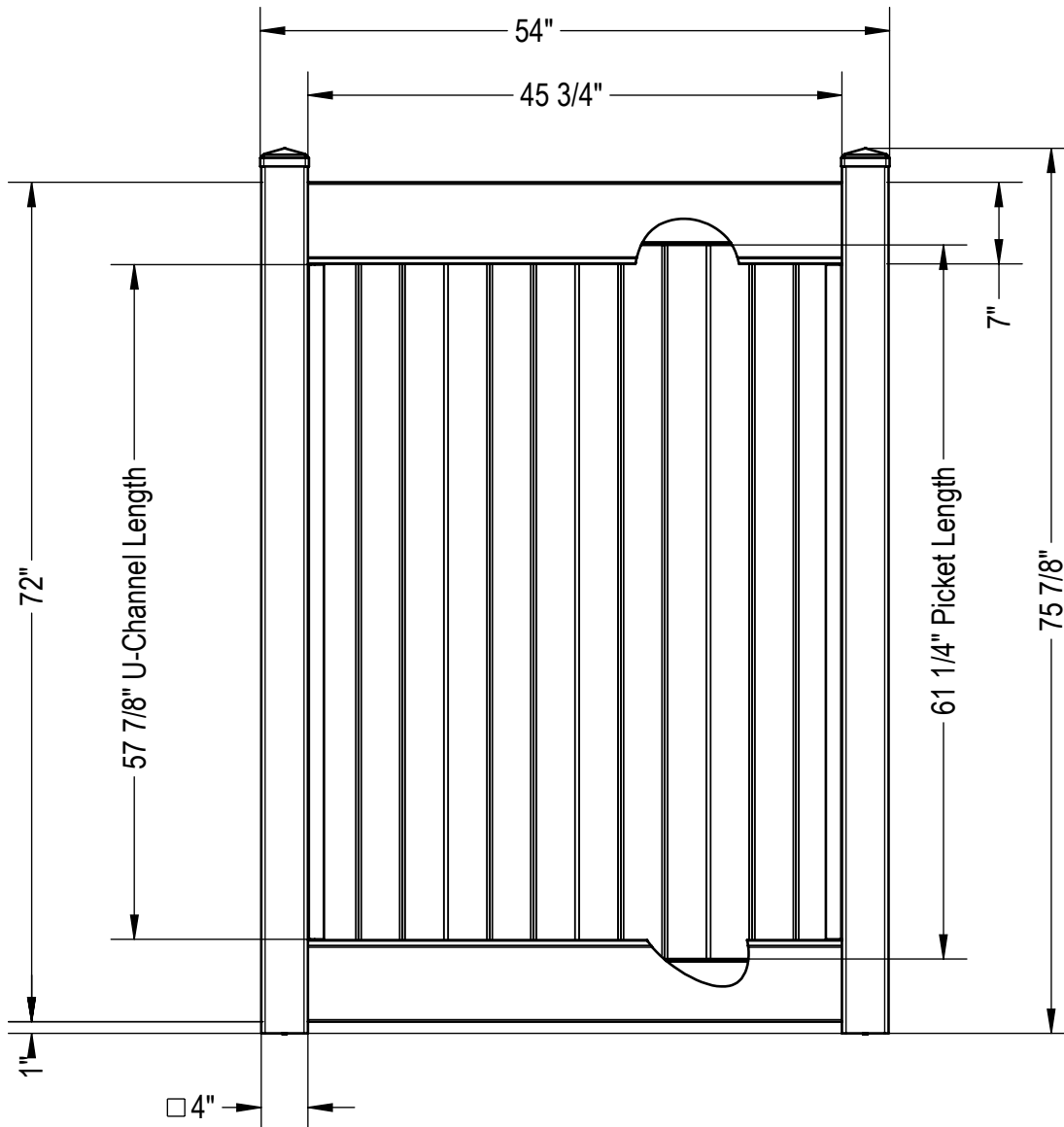
with 1 1/2 x 5 1/2 Rails & 7/8 x 11 1/4 T&G Picket



THIS DRAWING WAS MADE AND INTENDED FOR USE AS A GUIDE ONLY. ANY PRODUCT SUBSTITUTION OR VARIANCE MAY COMPROMISE THE STRUCTURE, DESIGN AND PERFORMANCE OF THE PRODUCT. NO WARRANTY IS EXPRESSED OR IMPLIED BY THIS DRAWING AND PLY GEM FENCE & RAIL.

72" H x 54" W Classic Privacy Gate

with 2 x 7 Rails & 7/8 x 11 1/4 T&G Picket



Part list	PART NUMBER	LENGTH
2	5 x 5 Post	75"
2	2 x 7 Slotted Rail	53 1/2"
7	7/8 x 6" Picket	61 1/4"
2	7/8 U-Channel	57 7/8"
4	2 x 7 x 4 Pocket Gate Block	
6	#10 x 3/4" Screw	
2	4 x 4 Decorative Cap	
6	1/4" x 8 timber screw	8"

THIS DRAWING WAS MADE AND INTENDED FOR USE AS A GUIDE ONLY. ANY PRODUCT SUBSTITUTION OR VARIANCE MAY COMPROMISE THE STRUCTURE, DESIGN AND PERFORMANCE OF THE PRODUCT. NO WARRANTY IS EXPRESSED OR IMPLIED BY THIS DRAWING AND PLY GEM FENCE & RAIL.

264
DRAWINGS ARE CONFIDENTIAL AND ARE THE PROPERTY OF PLY GEM FENCE & RAILING © MAR 2019.

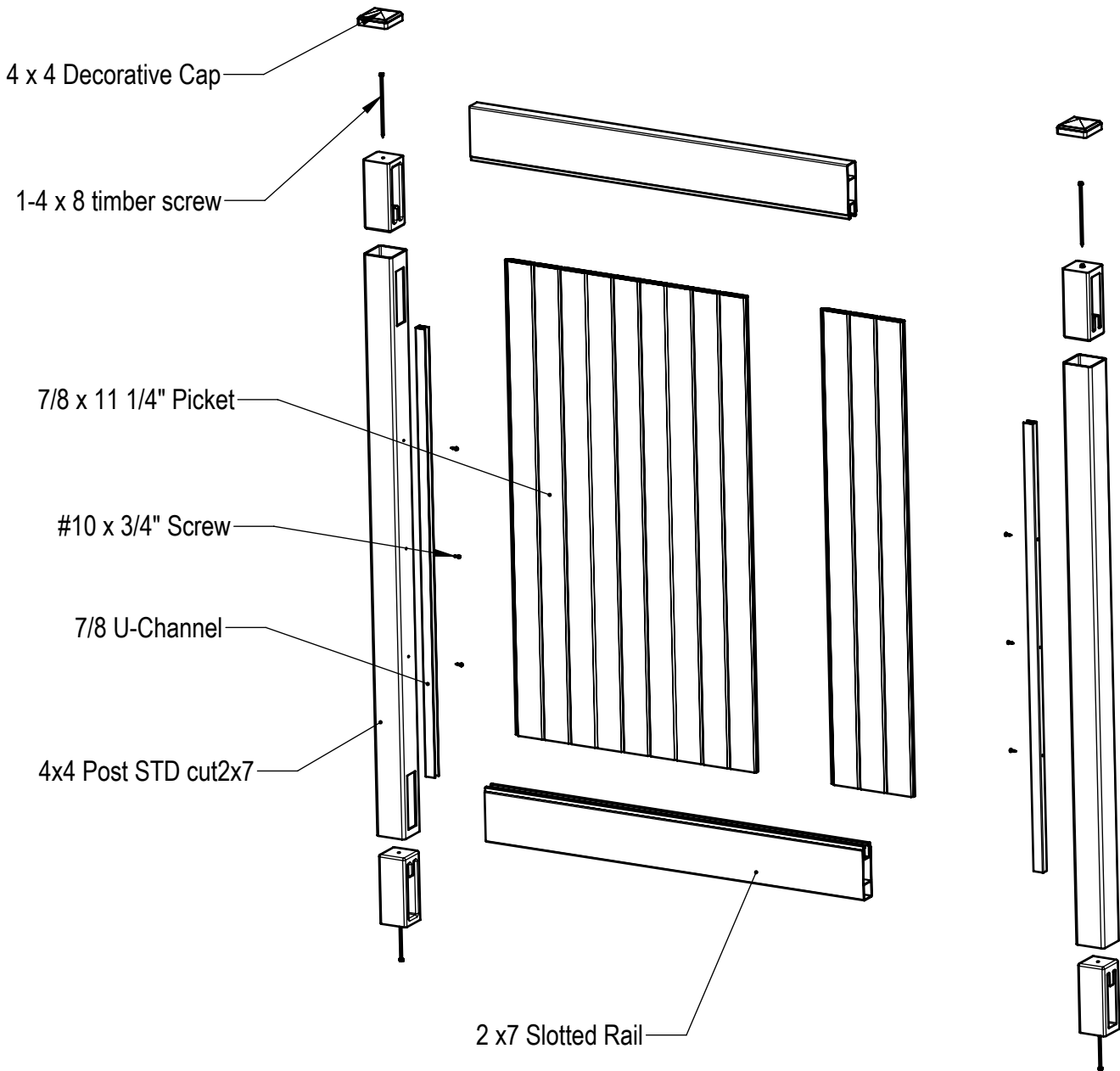
P389

Sheet 1 of 2

04-14-17

72" H x 54 W Classic Privacy Gate

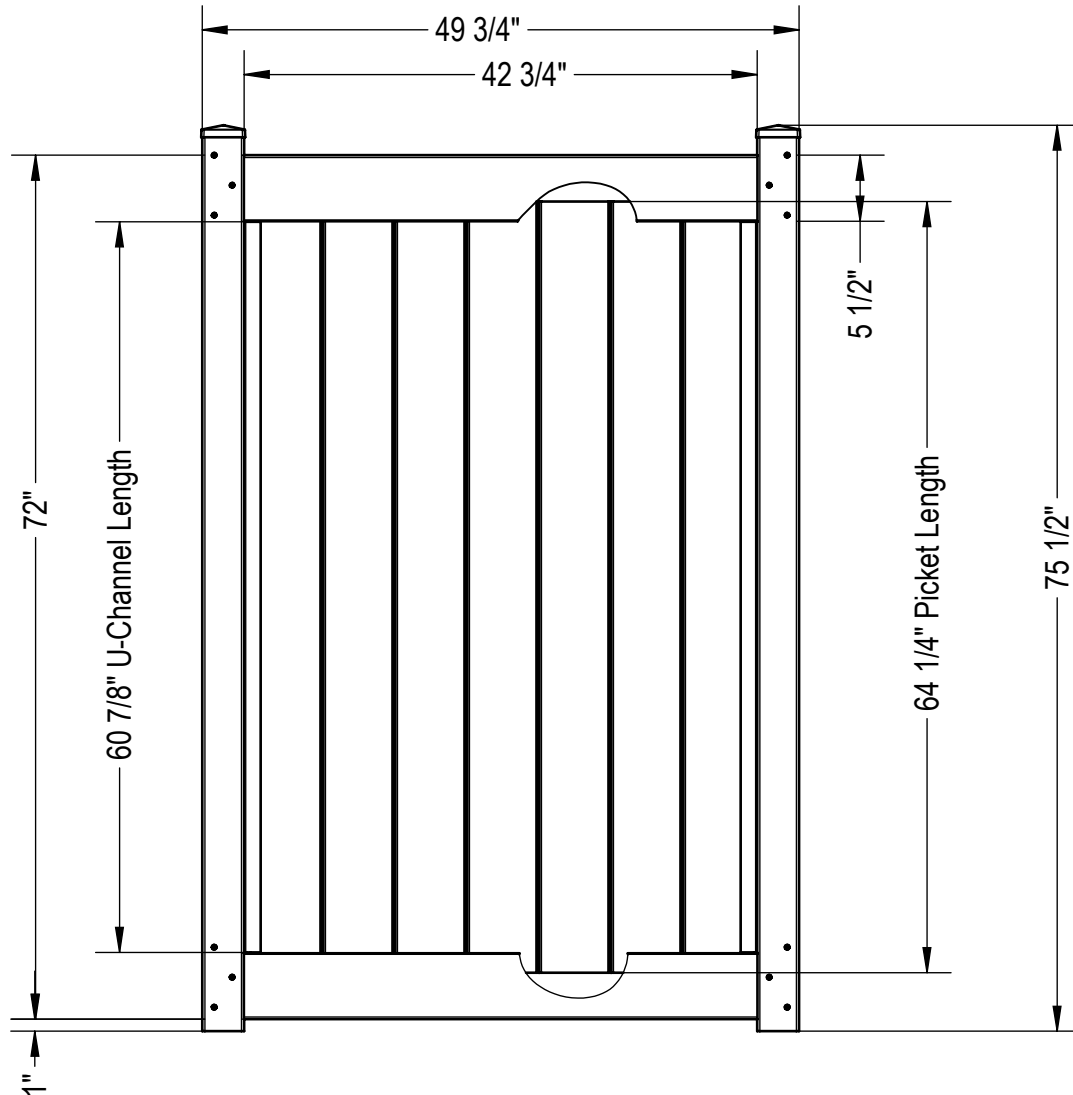
with 2 x 7 Rails & 7/8 x 11 1/4 T&G Picket



THIS DRAWING WAS MADE AND INTENDED FOR USE AS A GUIDE ONLY. ANY PRODUCT SUBSTITUTION OR VARIANCE MAY COMPROMISE THE STRUCTURE, DESIGN AND PERFORMANCE OF THE PRODUCT. NO WARRANTY IS EXPRESSED OR IMPLIED BY THIS DRAWING AND PLY GEM FENCE & RAIL.

72" H x 50" W Classic Privacy Gate

with 1 1/2 x 5 1/2 Rails & 7/8 x 6 T&G Picket



QTY	PART NUMBER	LENGTH
2	1 3/4 x 3 1/2 Rail	75"
2	1 1/2 x 5 1/2 Slotted Rail	49 1/3"
7	7/8 x 6" Picket	64 1/4"
2	7/8 U-Channel	60 7/8"
2	2 1 3/4 x 3 1/2 External Cap	
30	#10 x 3/4" Screw	

THIS DRAWING WAS MADE AND INTENDED FOR USE AS A GUIDE ONLY. ANY PRODUCT SUBSTITUTION OR VARIANCE MAY COMPROMISE THE STRUCTURE, DESIGN AND PERFORMANCE OF THE PRODUCT. NO WARRANTY IS EXPRESSED OR IMPLIED BY THIS DRAWING AND PLY GEM FENCE & RAIL.

266
DRAWINGS ARE CONFIDENTIAL AND ARE THE PROPERTY OF PLY GEM FENCE & RAILING © MAR 2019.

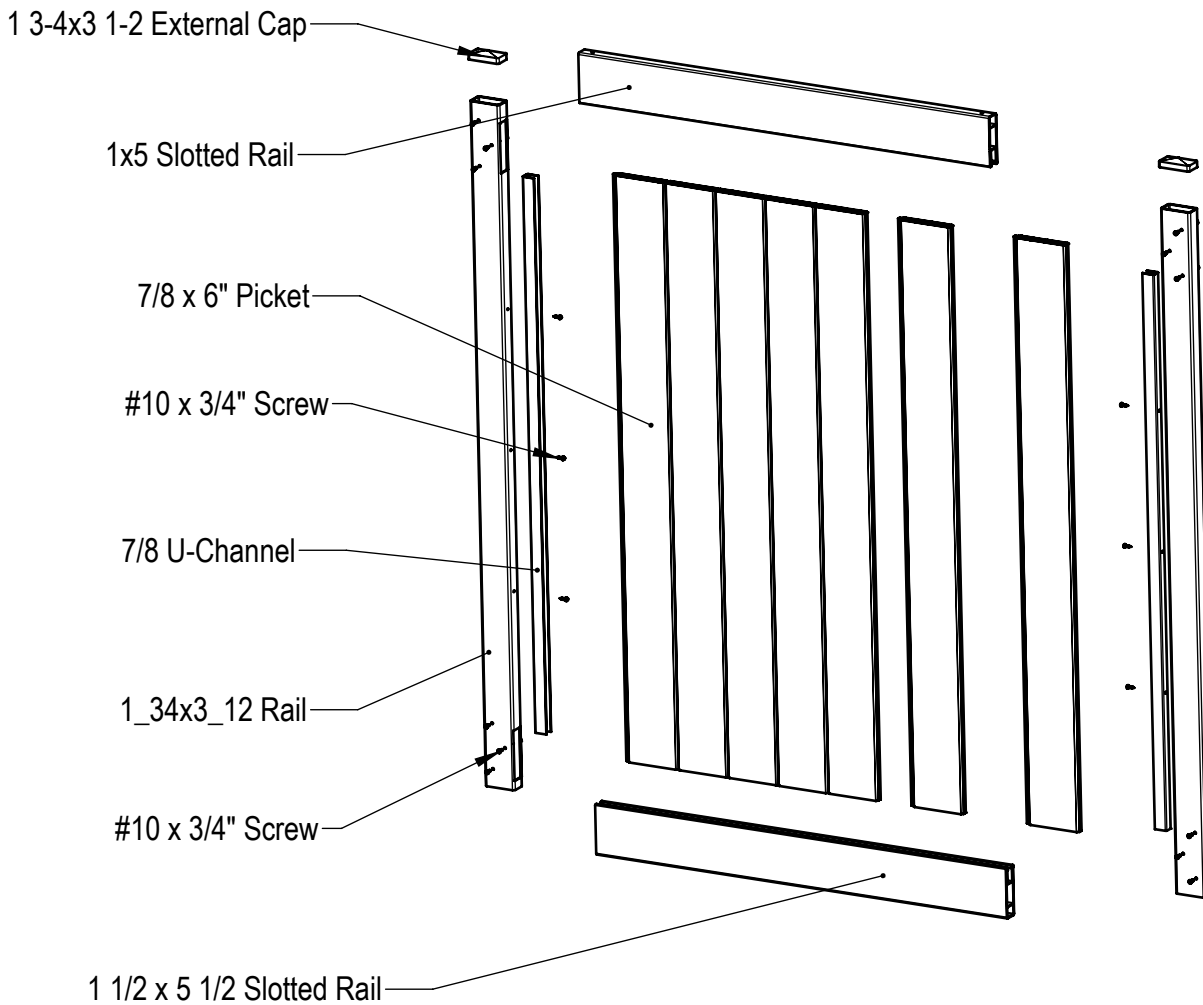
P390

Sheet 1 of 2

04-14-17

72" H x 50 W Classic Privacy Gate

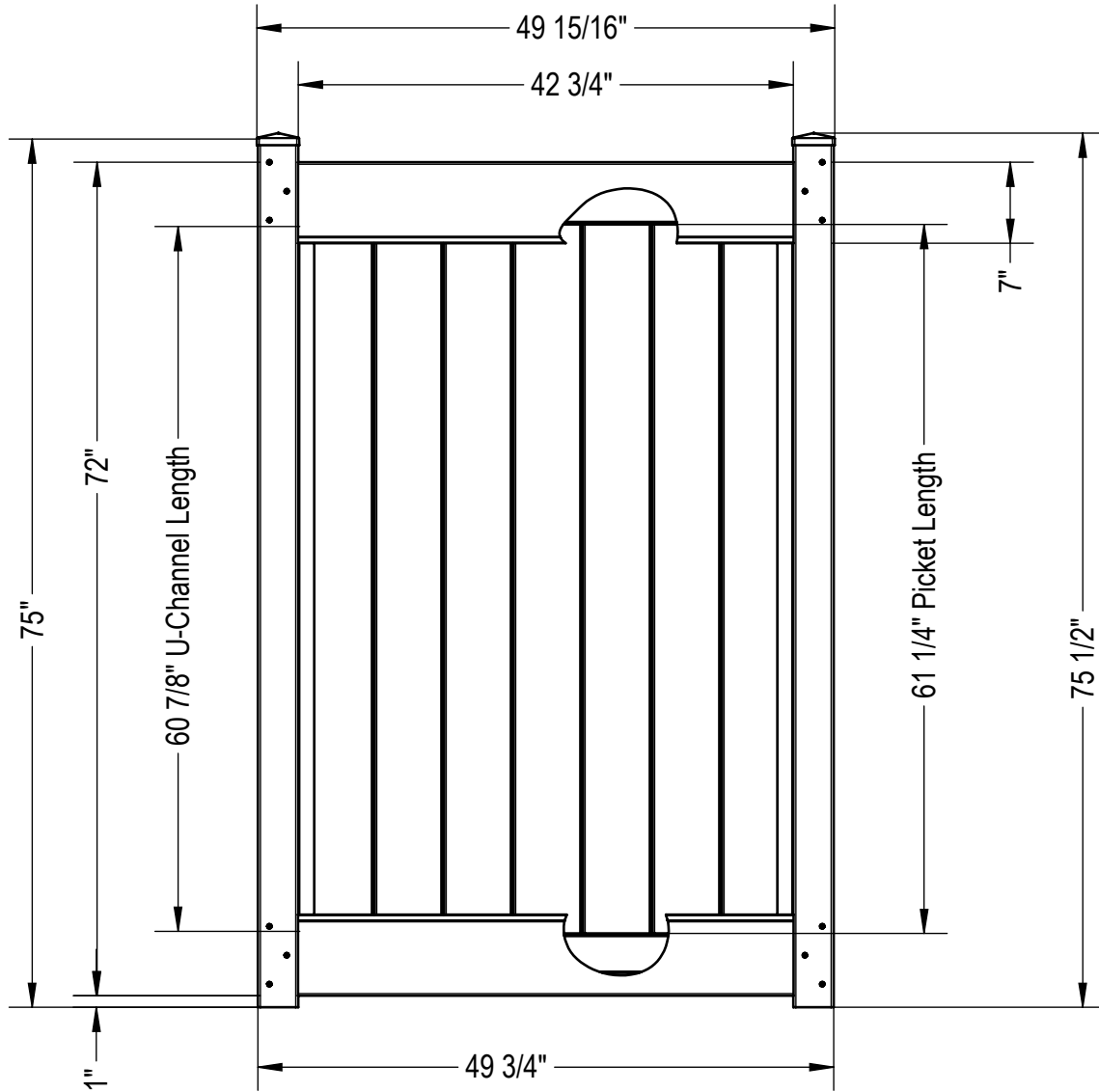
with 1 1/2 x 5 1/2 Rails & 7/8 x 6 T&G Picket



THIS DRAWING WAS MADE AND INTENDED FOR USE AS A GUIDE ONLY. ANY PRODUCT SUBSTITUTION OR VARIANCE MAY COMPROMISE THE STRUCTURE, DESIGN AND PERFORMANCE OF THE PRODUCT. NO WARRANTY IS EXPRESSED OR IMPLIED BY THIS DRAWING AND PLY GEM FENCE & RAIL.

72" H x 50" W Classic Privacy Gate

with 2 x 7 Rails & 7/8 x 6 T&G Picket



QTY	PART NUMBER	LENGTH
2	2 1/4 x 3 1/2 Rail	75"
2	2 x7 Slotted Rail	49 1/3"
7	7/8 x 6" Picket	61 1/4"
2	7/8 U-Channel	60 7/8"
2	2 1/4 x 3 1/2 External Cap	
30	#10 x 3/4" Screw	

THIS DRAWING WAS MADE AND INTENDED FOR USE AS A GUIDE ONLY. ANY PRODUCT SUBSTITUTION OR VARIANCE MAY COMPROMISE THE STRUCTURE, DESIGN AND PERFORMANCE OF THE PRODUCT. NO WARRANTY IS EXPRESSED OR IMPLIED BY THIS DRAWING AND PLY GEM FENCE & RAIL.

DRAWINGS ARE CONFIDENTIAL AND ARE THE PROPERTY OF PLY GEM FENCE & RAILING © MAR 2019.

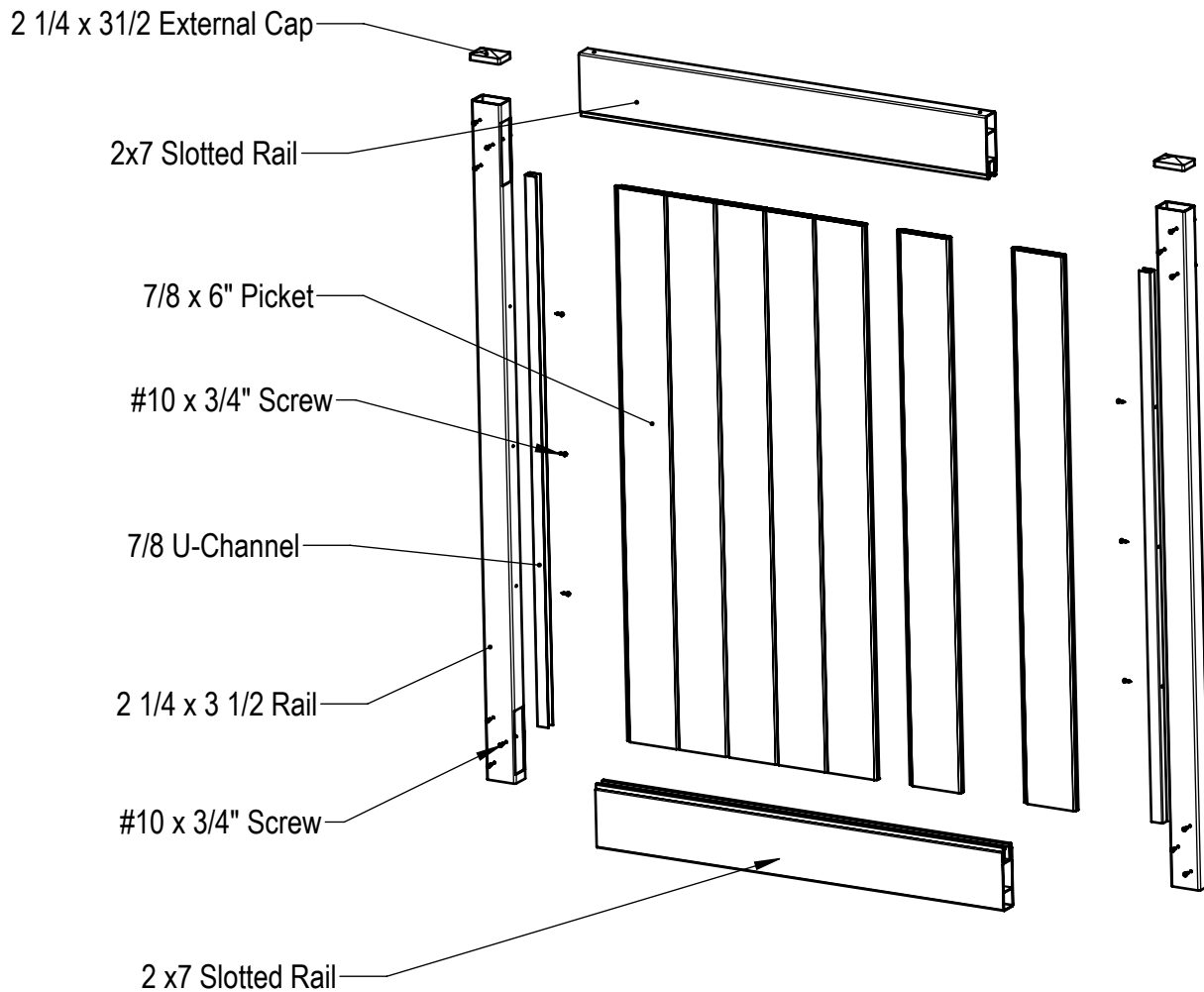
P391

Sheet 1 of 2

05-30-19

72" H x 50" W Classic Privacy Gate

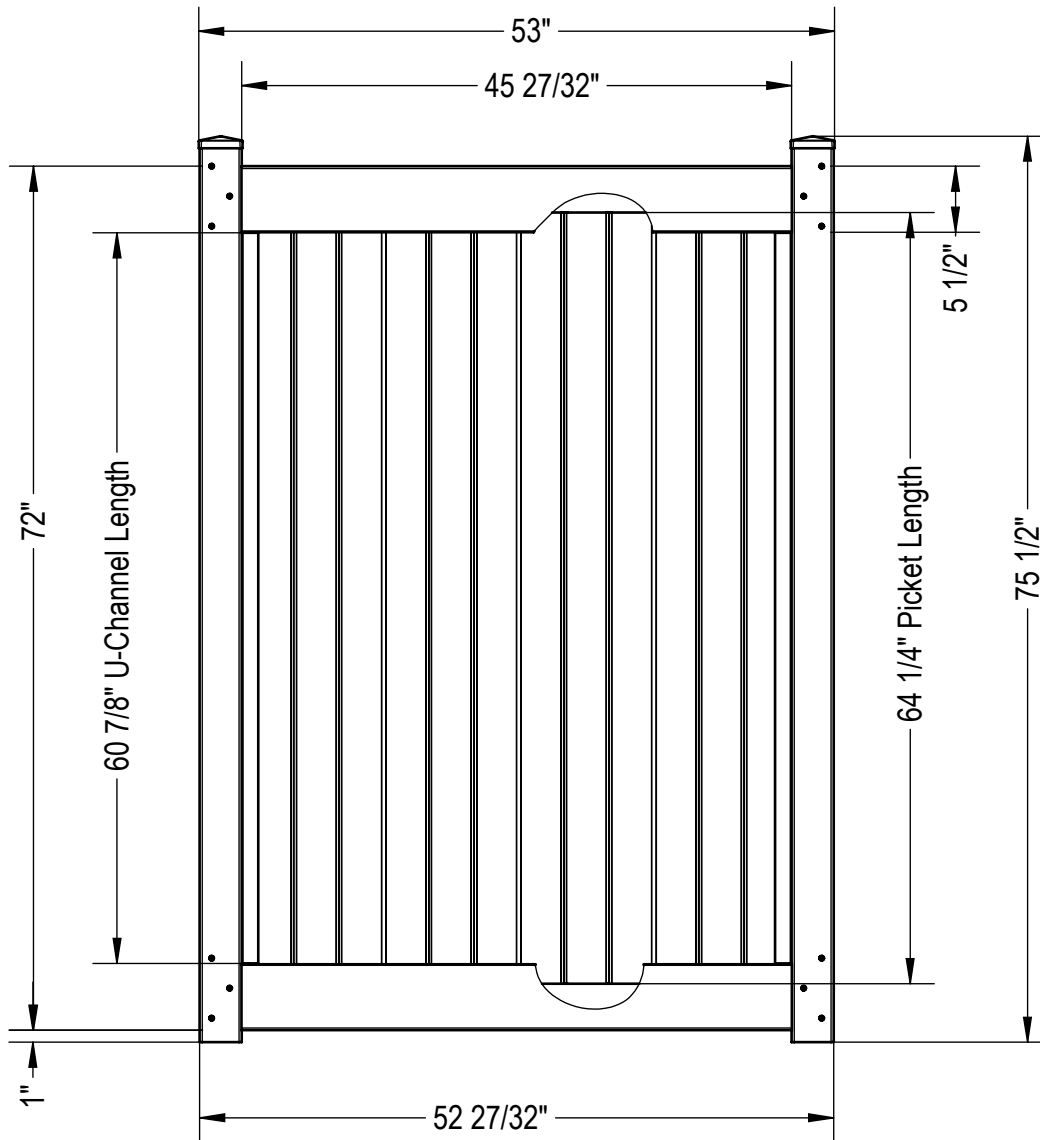
with 2 x 7 Rails & 7/8 x 6 T&G Picket



THIS DRAWING WAS MADE AND INTENDED FOR USE AS A GUIDE ONLY. ANY PRODUCT SUBSTITUTION OR VARIANCE MAY COMPROMISE THE STRUCTURE, DESIGN AND PERFORMANCE OF THE PRODUCT. NO WARRANTY IS EXPRESSED OR IMPLIED BY THIS DRAWING AND PLY GEM FENCE & RAIL.

72" H x 53" W Classic Privacy Gate

with 1 1/2 x 5 1/2 Rails & 7/8 x 11 1/4 T&G Picket



QTY	PART NUMBER	LENGTH
2	1 3/4 x 3 1/2 Rail	75"
2	1 1/2 x 5 1/2 Slotted Rail	52 1/3"
4	7/8 x 11 1/4" Picket	64 1/4"
2	7/8 U-Channel	60 7/8"
2	1 3/4 x 3 1/2 External Cap	
30	#10 x 3/4" Screw	

THIS DRAWING WAS MADE AND INTENDED FOR USE AS A GUIDE ONLY. ANY PRODUCT SUBSTITUTION OR VARIANCE MAY COMPROMISE THE STRUCTURE, DESIGN AND PERFORMANCE OF THE PRODUCT. NO WARRANTY IS EXPRESSED OR IMPLIED BY THIS DRAWING AND PLY GEM FENCE & RAIL.

DRAWINGS ARE CONFIDENTIAL AND ARE THE PROPERTY OF PLY GEM FENCE & RAILING © MAR 2019.

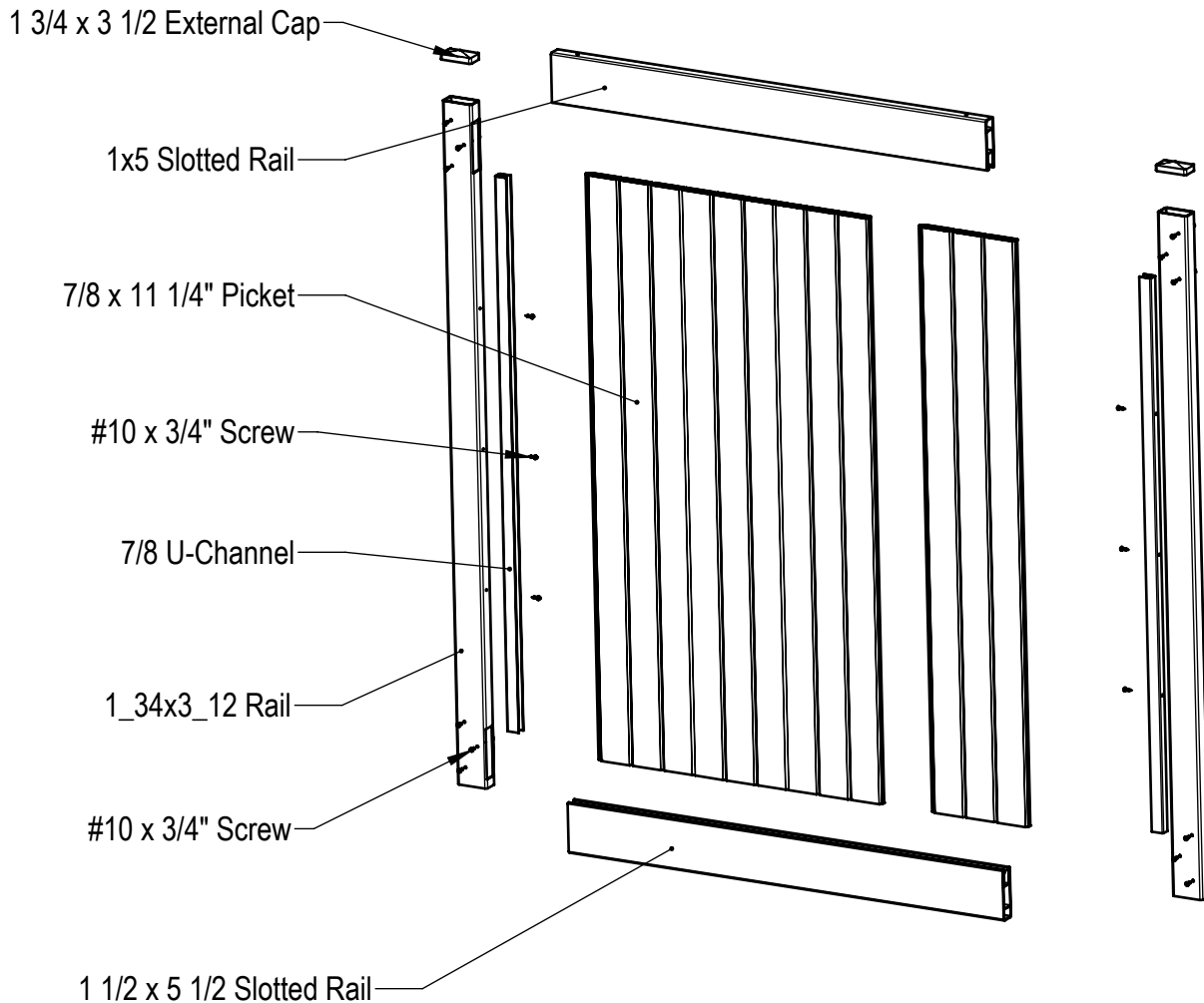
P392

Sheet 1 of 2

05-13-19

72" H x 53" W Classic Privacy Gate

with 1 1/2 x 5 1/2 Rails & 7/8 x 11 1/4 T&G Picket



THIS DRAWING WAS MADE AND INTENDED FOR USE AS A GUIDE ONLY. ANY PRODUCT SUBSTITUTION OR VARIANCE MAY COMPROMISE THE STRUCTURE, DESIGN AND PERFORMANCE OF THE PRODUCT. NO WARRANTY IS EXPRESSED OR IMPLIED BY THIS DRAWING AND PLY GEM FENCE & RAIL.

271

DRAWINGS ARE CONFIDENTIAL AND ARE THE PROPERTY OF PLY GEM FENCE & RAILING © MAR 2019.

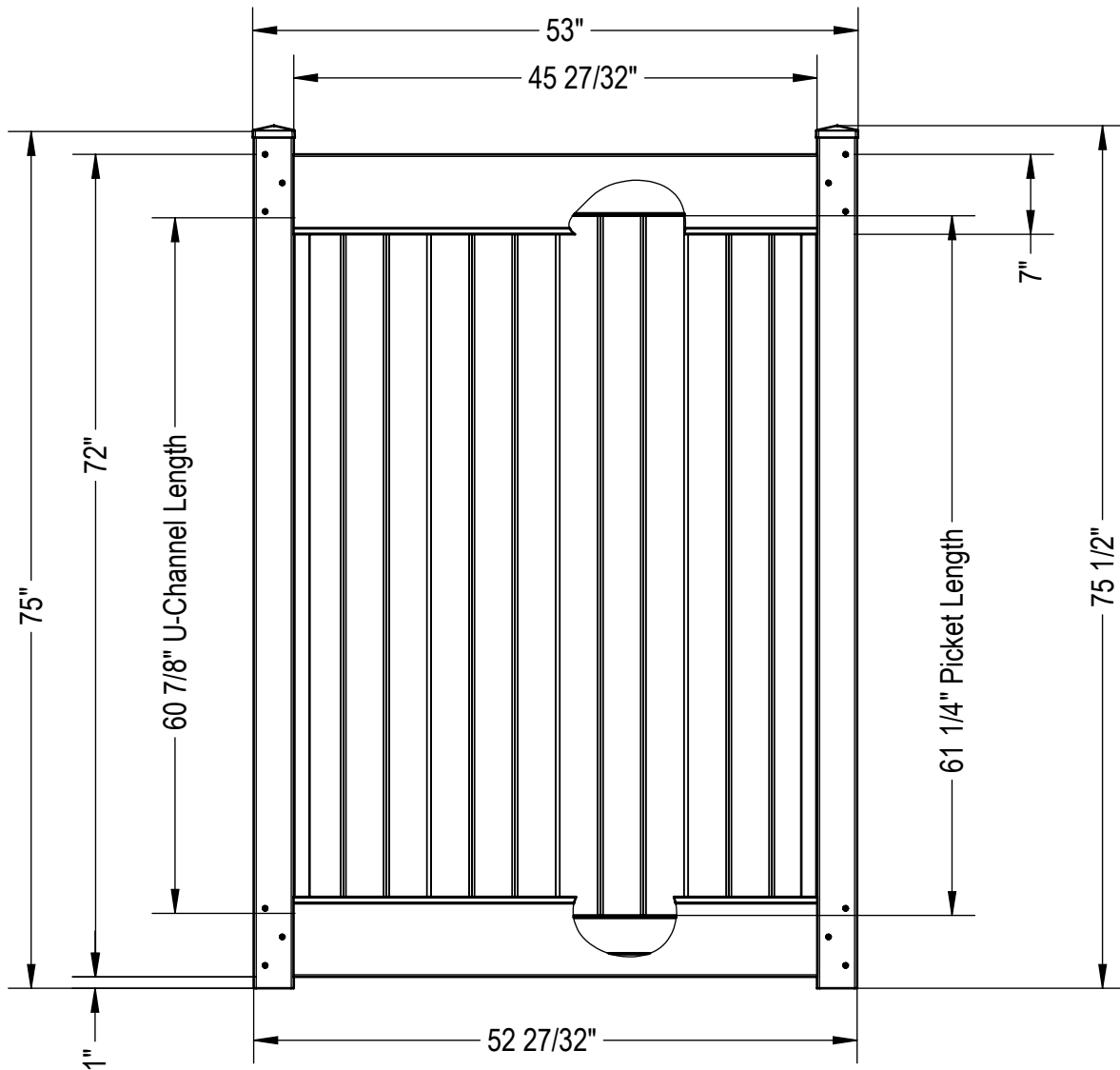
P392

Sheet 2 of 2

05-13-19

72" H x 53" W Classic Privacy Gate

with 2 x 7 Rails & 7/8 x 11 1/4 T&G Picket



QTY	PART NUMBER	LENGTH
2	2 1/4 x 3 1/2 Rail	75"
2	2 x7 Slotted Rail	52 1/3"
4	7/8 x 11 1/4" Picket	61 1/4"
2	7/8 U-Channel	60 7/8"
2	2 1/4 x 3 1/2 External Cap	
30	#10 x 3/4" Screw	

THIS DRAWING WAS MADE AND INTENDED FOR USE AS A GUIDE ONLY. ANY PRODUCT SUBSTITUTION OR VARIANCE MAY COMPROMISE THE STRUCTURE, DESIGN AND PERFORMANCE OF THE PRODUCT. NO WARRANTY IS EXPRESSED OR IMPLIED BY THIS DRAWING AND PLY GEM FENCE & RAIL.

DRAWINGS ARE CONFIDENTIAL AND ARE THE PROPERTY OF PLY GEM FENCE & RAILING © MAR 2019.

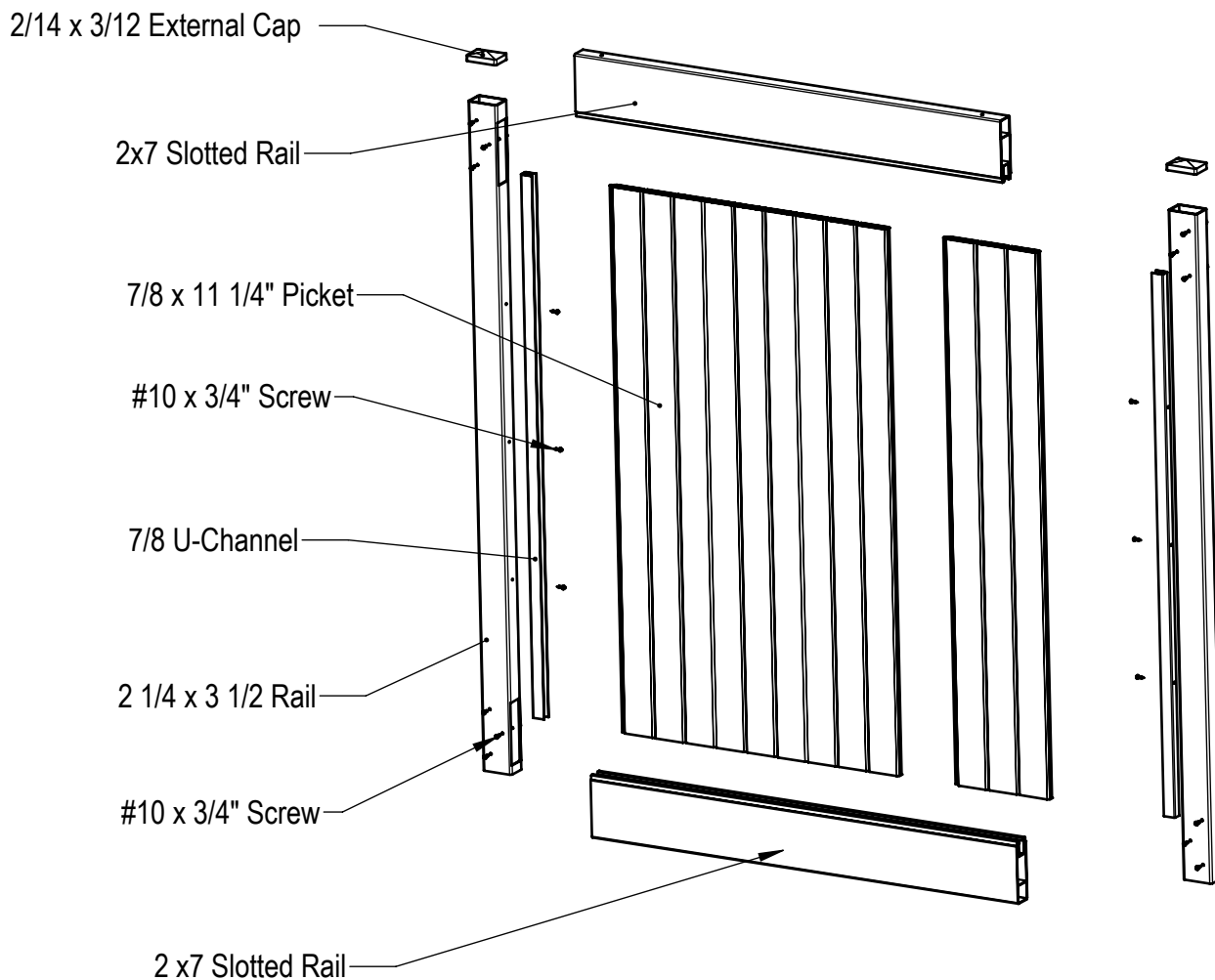
P393

Sheet 1 of 2

05-30-19

72" H x 53" W Classic Privacy Gate

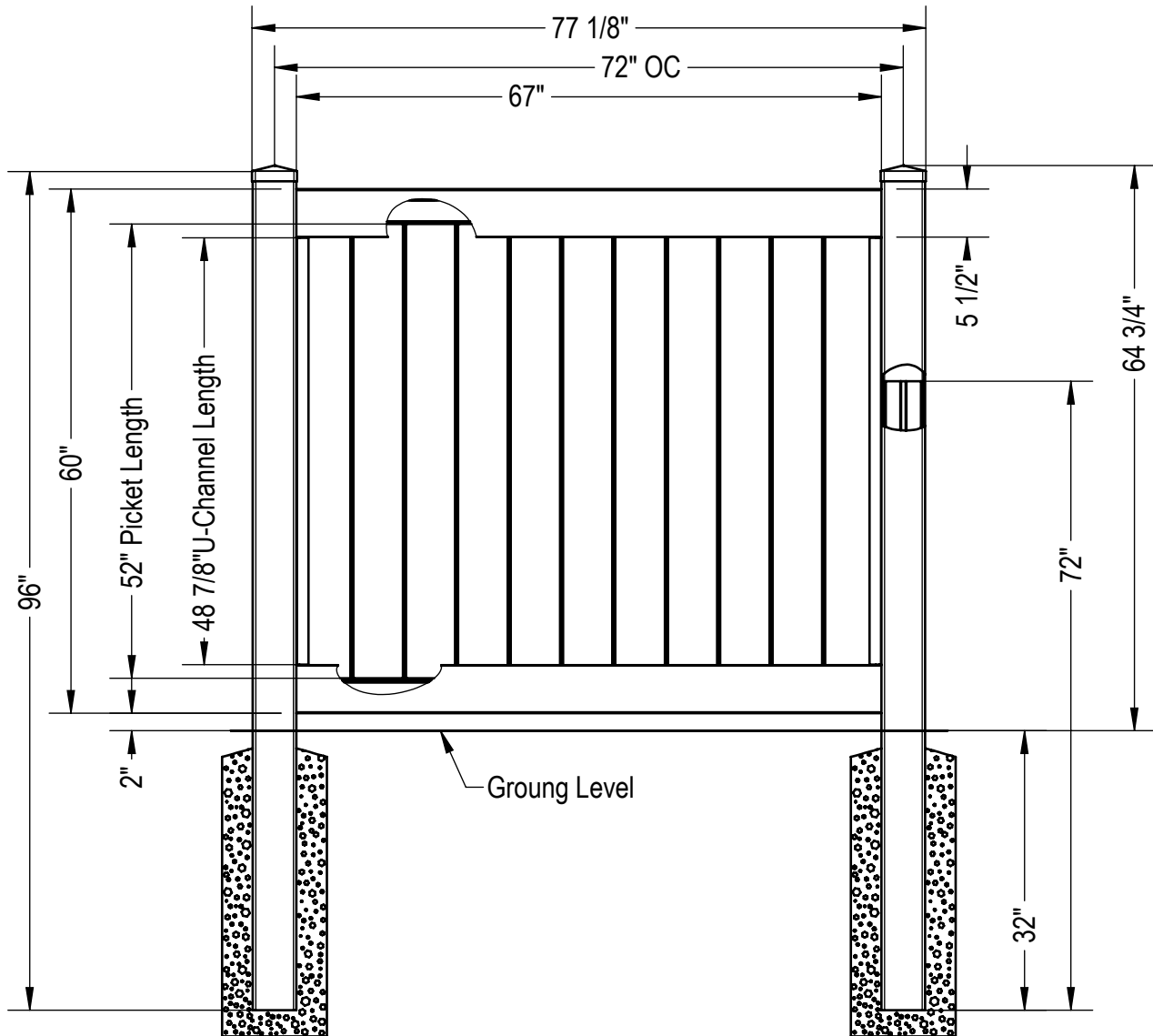
with 2 x 7 Rails & 7/8 x 11 1/4 T&G Picket



THIS DRAWING WAS MADE AND INTENDED FOR USE AS A GUIDE ONLY. ANY PRODUCT SUBSTITUTION OR VARIANCE MAY COMPROMISE THE STRUCTURE, DESIGN AND PERFORMANCE OF THE PRODUCT. NO WARRANTY IS EXPRESSED OR IMPLIED BY THIS DRAWING AND PLY GEM FENCE & RAIL.

60" H x 72" W Classic Privacy

with 1 1/2 x 5 1/2 Rail & 7/8 x 6 T&G Picket



QTY.	Part Number	LENGTH
2	5 x 5 Post	96"
2	5 x 5 Post Tower Insert	72"
2	1 1/2 x 5 1/2 Slotted Rail	70 1/2"
11	7/8 x 6 Picket	52"
2	7/8 U-Channel	48 7/8"
6	#10 x 3/4" Screw	
2	5 x 5 External Long Cap	
	Insert for Khaki and WS colors	
1	1 1/2 x 5 1/2 Sltd Insert	70 1/2"

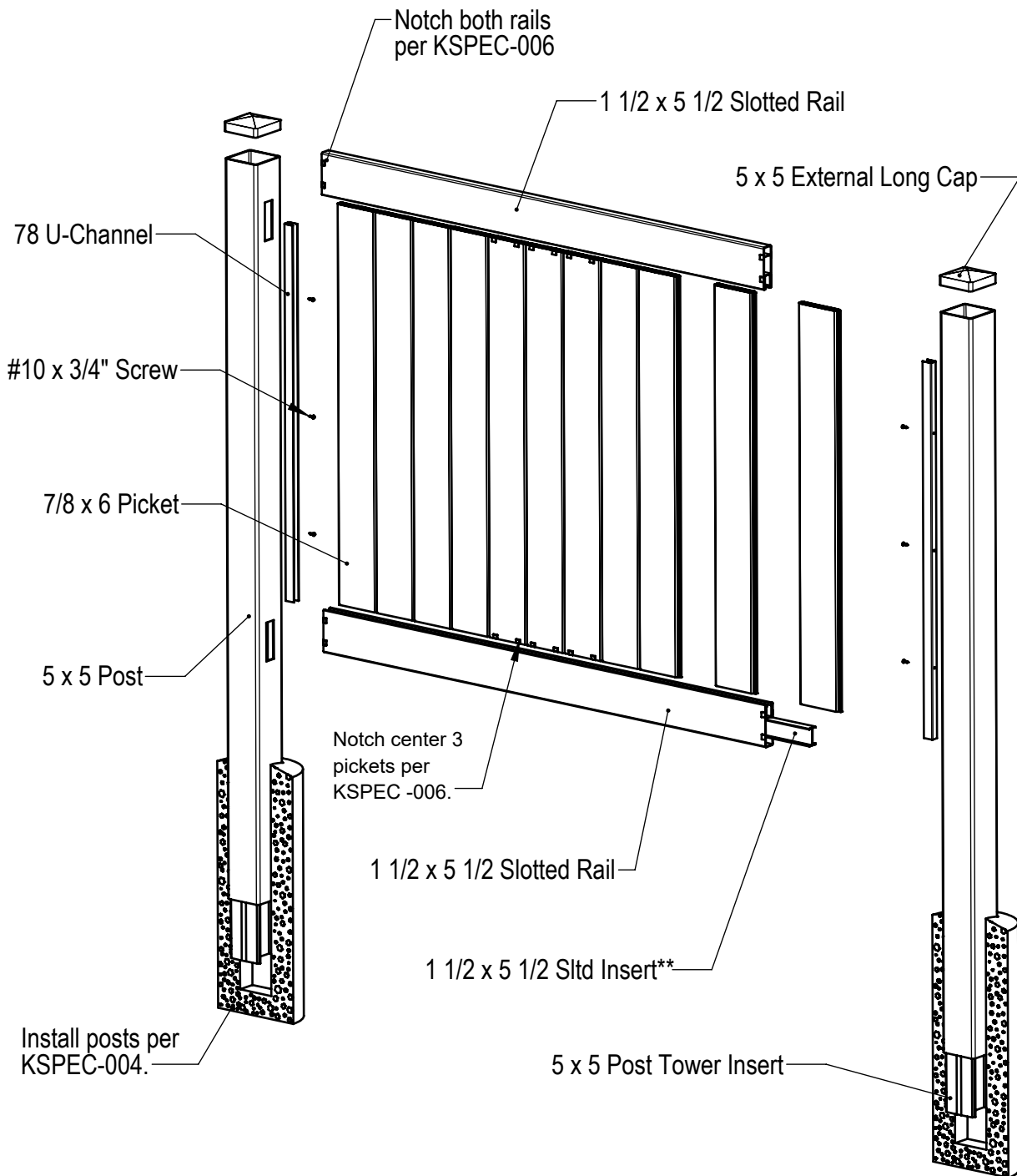
THIS DRAWING WAS MADE AND INTENDED FOR USE AS A GUIDE ONLY. ANY PRODUCT SUBSTITUTION OR VARIANCE MAY COMPROMISE THE STRUCTURE, DESIGN AND PERFORMANCE OF THE PRODUCT. NO WARRANTY IS EXPRESSED OR IMPLIED BY THIS DRAWING AND PLY GEM FENCE & RAIL.

P394

Sheet 1 of 2
06-21-17

72" H x 72" W Classic Privacy

with 1 1/2 x 5 1/2 Rail & 7/8 x 6 T&G Picket



**Aluminum insert required on Khaki and all Woodland Select colors.

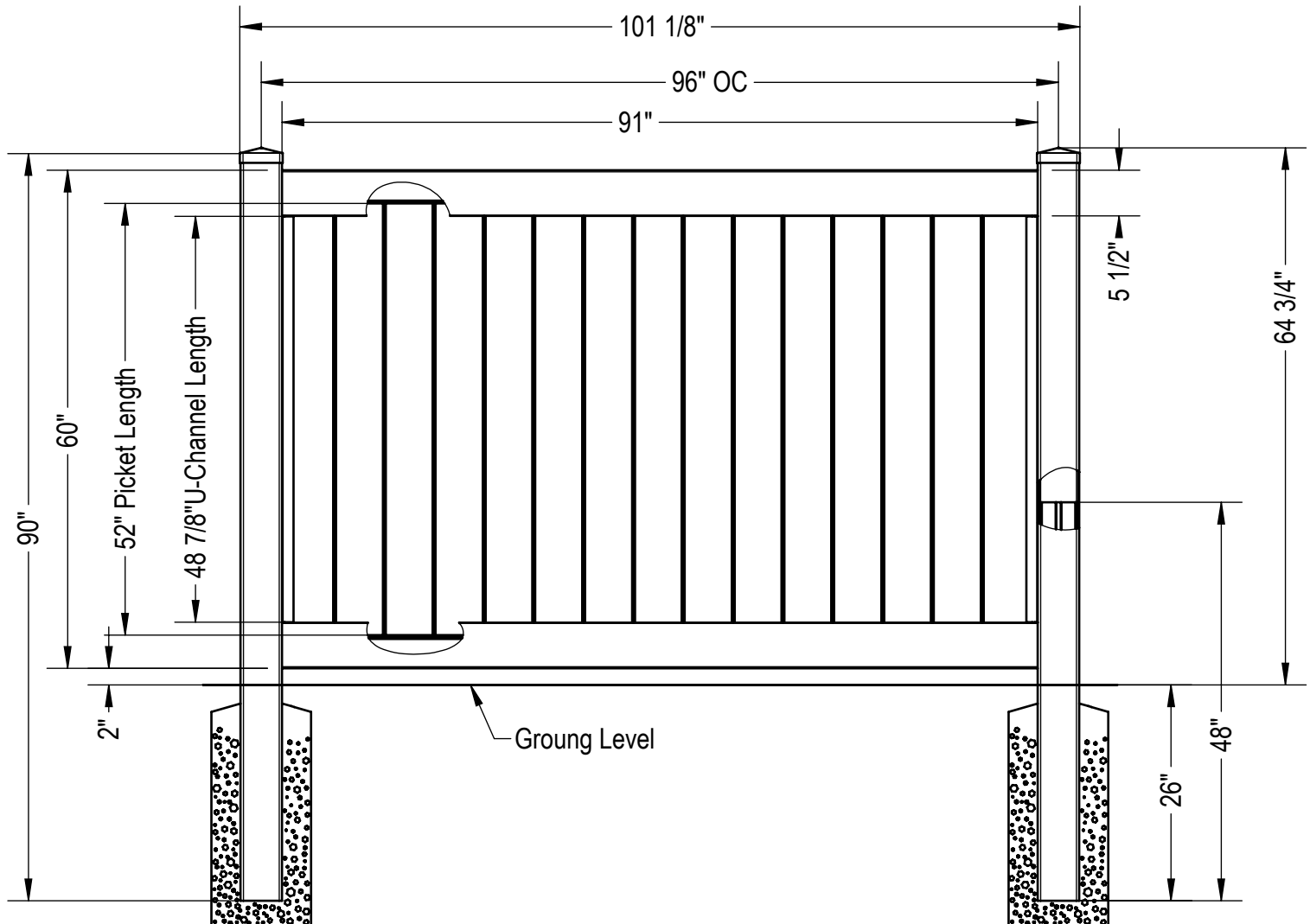
THIS DRAWING WAS MADE AND INTENDED FOR USE AS A GUIDE ONLY. ANY PRODUCT SUBSTITUTION OR VARIANCE MAY COMPROMISE THE STRUCTURE, DESIGN AND PERFORMANCE OF THE PRODUCT. NO WARRANTY IS EXPRESSED OR IMPLIED BY THIS DRAWING AND PLY GEM FENCE & RAIL.

P394

Sheet 2 of 2
06-21-17

60" H x 96" W Classic Privacy

with 1 1/2 x 5 1/2 Rail & 7/8 x 6 T&G Picket



QTY.	Part Number	LENGTH
2	5 x 5 Post	90"
2	5 x 5 Post Tower Insert	48"
2	1 1/2 x 5 1/2 Slotted Rail	94 1/2"
15	7/8 x 6 Picket	52"
2	7/8 U-Channel	48 7/8"
6	#10 x 3/4" Screw	
2	5 x 5 External Long Cap	
	Insert for Khaki and WS colors	
1	1 1/2 x 5 1/2 Sltd Insert	94 1/2"

THIS DRAWING WAS MADE AND INTENDED FOR USE AS A GUIDE ONLY. ANY PRODUCT SUBSTITUTION OR VARIANCE MAY COMPROMISE THE STRUCTURE, DESIGN AND PERFORMANCE OF THE PRODUCT. NO WARRANTY IS EXPRESSED OR IMPLIED BY THIS DRAWING AND PLY GEM FENCE & RAIL.

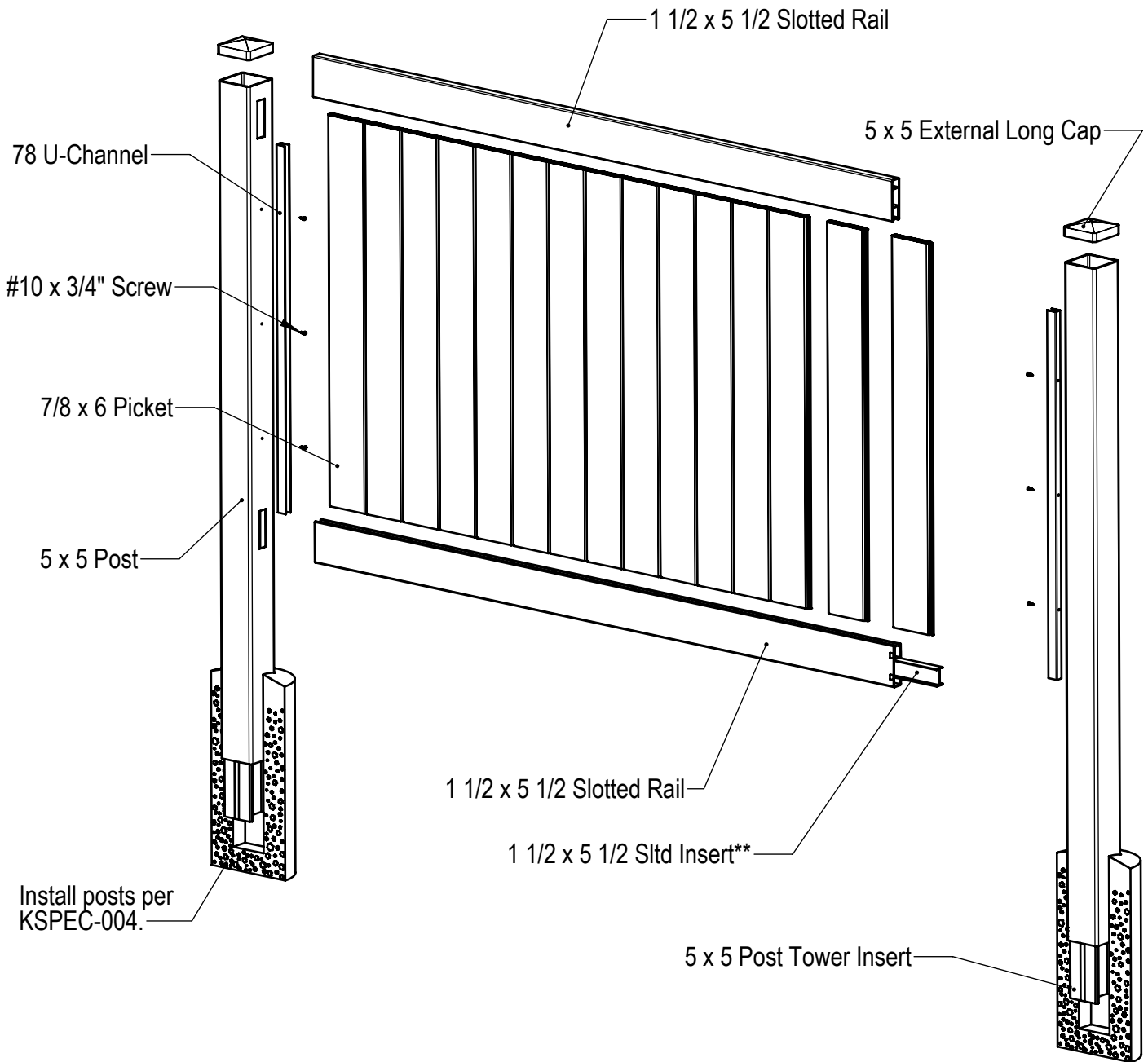
DRAWINGS ARE CONFIDENTIAL AND ARE THE PROPERTY OF PLY GEM FENCE & RAILING © MAR 2019.

P395

Sheet 1 of 2
06-21-17

60" H x 96" W Classic Privacy

with 1 1/2 x 5 1/2 Rail & 7/8 x 6 T&G Picket



**Aluminum insert required on Khaki and all Woodland Select colors.

THIS DRAWING WAS MADE AND INTENDED FOR USE AS A GUIDE ONLY. ANY PRODUCT SUBSTITUTION OR VARIANCE MAY COMPROMISE THE STRUCTURE, DESIGN AND PERFORMANCE OF THE PRODUCT. NO WARRANTY IS EXPRESSED OR IMPLIED BY THIS DRAWING AND PLY GEM FENCE & RAIL.

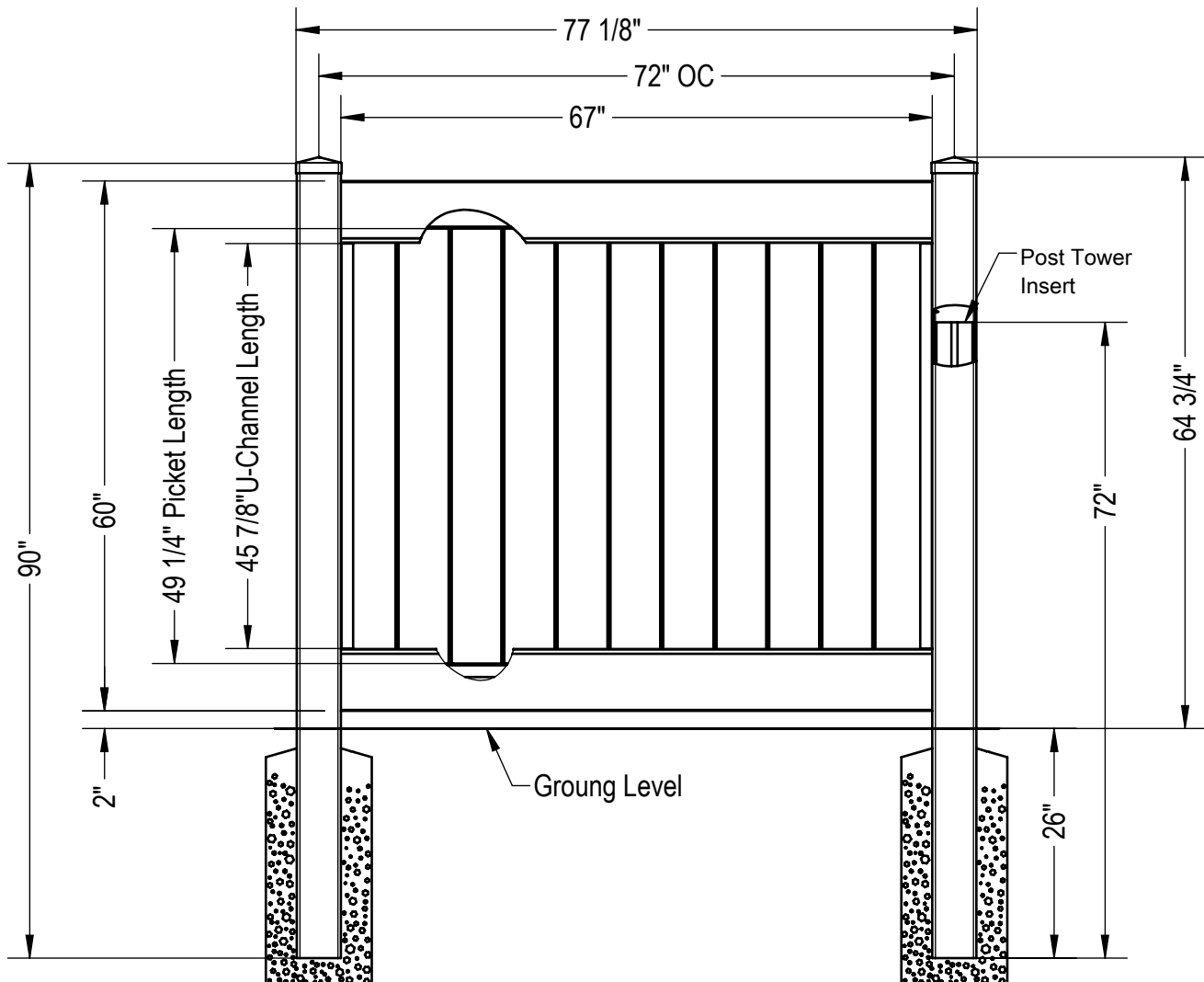
DRAWINGS ARE CONFIDENTIAL AND ARE THE PROPERTY OF PLY GEM FENCE & RAILING © MAR 2019.

P395

Sheet 2 of 2
06-21-17

60" H x 72" W Classic Privacy

with 2 x 7 Rail & 7/8 x 6 T&G Picket



QTY.	Part Number	LENGTH
2	5 x 5 Post	90"
2	5 x 5 Post Tower Insert	72"
2	2 x 7 Slotted Rail	70 1/2"
11	7/8 x 6 Picket	49 1/4"
2	7/8 U-Channel	45 7/8"
6	#10 x 3/4" Screw	
2	5 x 5 External Long Cap	
	Insert for Khaki and WS colors	
1	2 x 7 H-Channel Insert	70 1/2"

THIS DRAWING WAS MADE AND INTENDED FOR USE AS A GUIDE ONLY. ANY PRODUCT SUBSTITUTION OR VARIANCE MAY COMPROMISE THE STRUCTURE, DESIGN AND PERFORMANCE OF THE PRODUCT. NO WARRANTY IS EXPRESSED OR IMPLIED BY THIS DRAWING AND PLY GEM FENCE & RAIL.

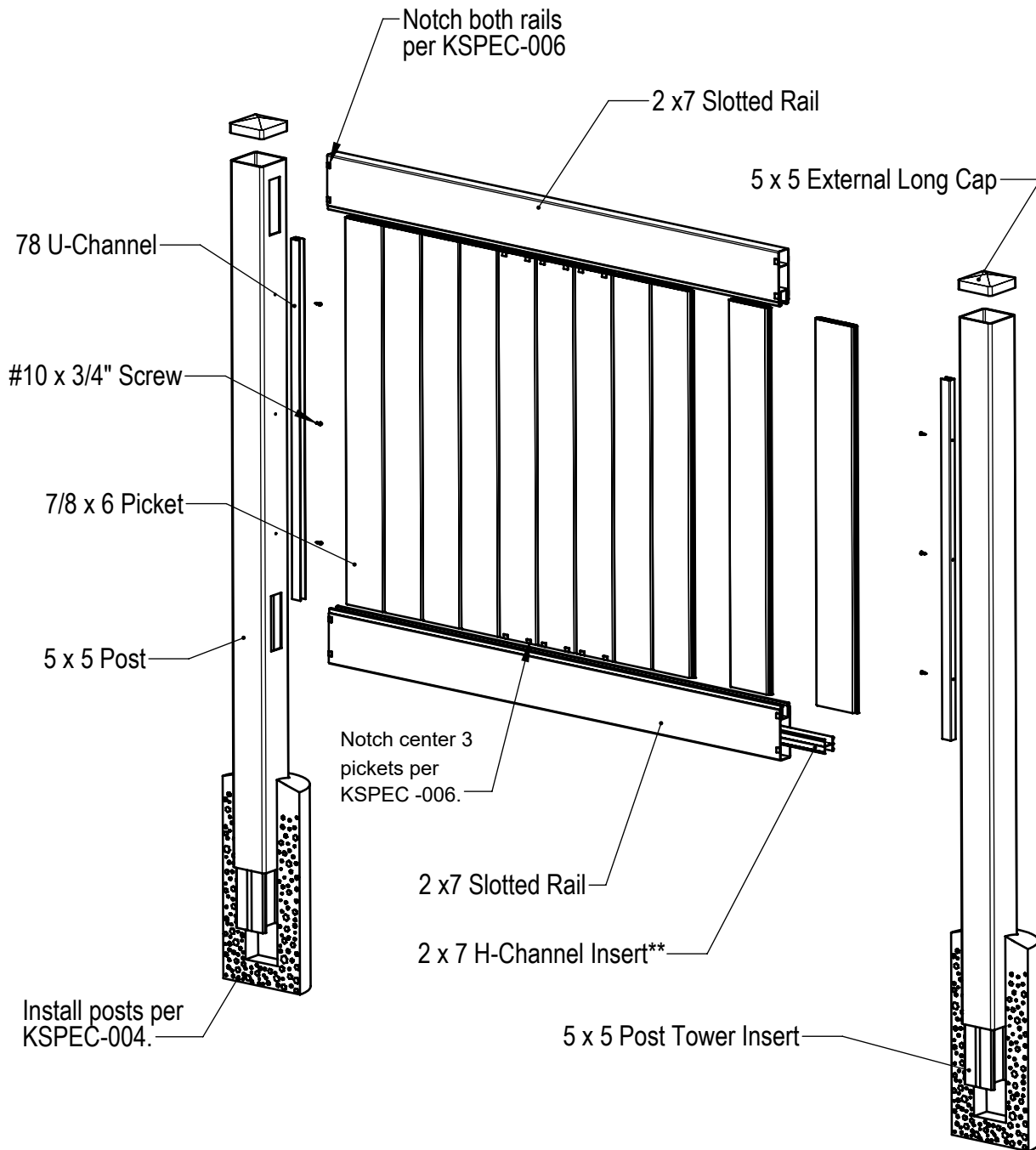
DRAWINGS ARE CONFIDENTIAL AND ARE THE PROPERTY OF PLY GEM FENCE & RAILING © MAR 2019.

P396

Sheet 1 of 2
06-21-17

60" H x 72" W Classic Privacy

with 2 x 7 Rail & 7/8 x 6 T&G Picket

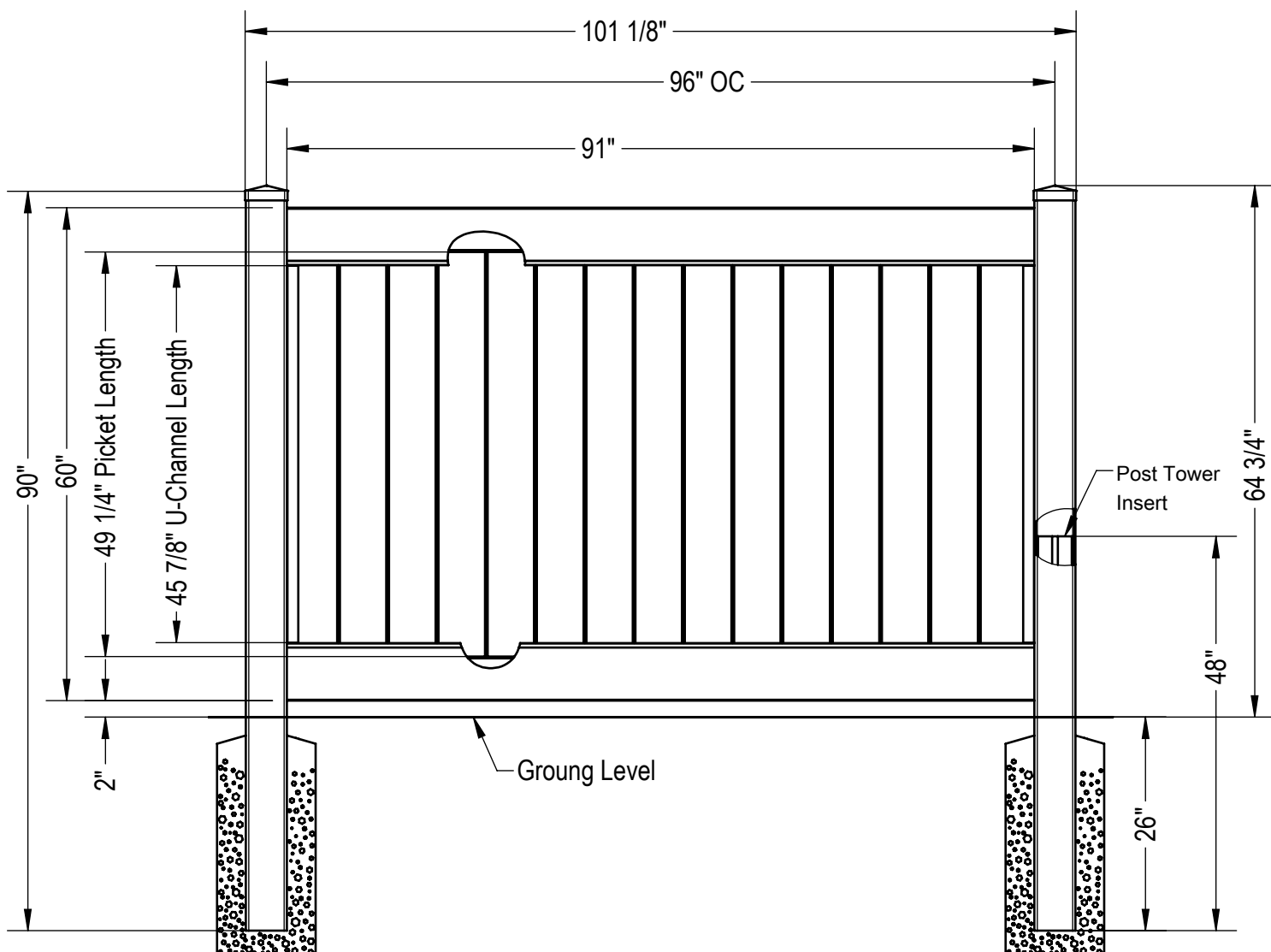


**Aluminum insert required on Khaki and all Woodland Select colors.

THIS DRAWING WAS MADE AND INTENDED FOR USE AS A GUIDE ONLY. ANY PRODUCT SUBSTITUTION OR VARIANCE MAY COMPROMISE THE STRUCTURE, DESIGN AND PERFORMANCE OF THE PRODUCT. NO WARRANTY IS EXPRESSED OR IMPLIED BY THIS DRAWING AND PLY GEM FENCE & RAIL.

60" H x 96" W Classic Privacy

with 2 x 7 Rail & 7/8 x 6 T&G Picket



QTY.	Part Number	LENGTH
2	5 x 5 Post	90"
2	5 x 5 Post Tower Insert	48"
2	2 x 7 Slotted Rail	94 1/2"
15	7/8 x 6 Picket	49 1/4"
2	7/8 U-Channel	45 7/8"
6	#10 x 3/4" Screw	
2	5 x 5 External Long Cap	
	Insert for Khaki and WS colors	
1	2 x 7 H-Channel Insert	94 1/2"

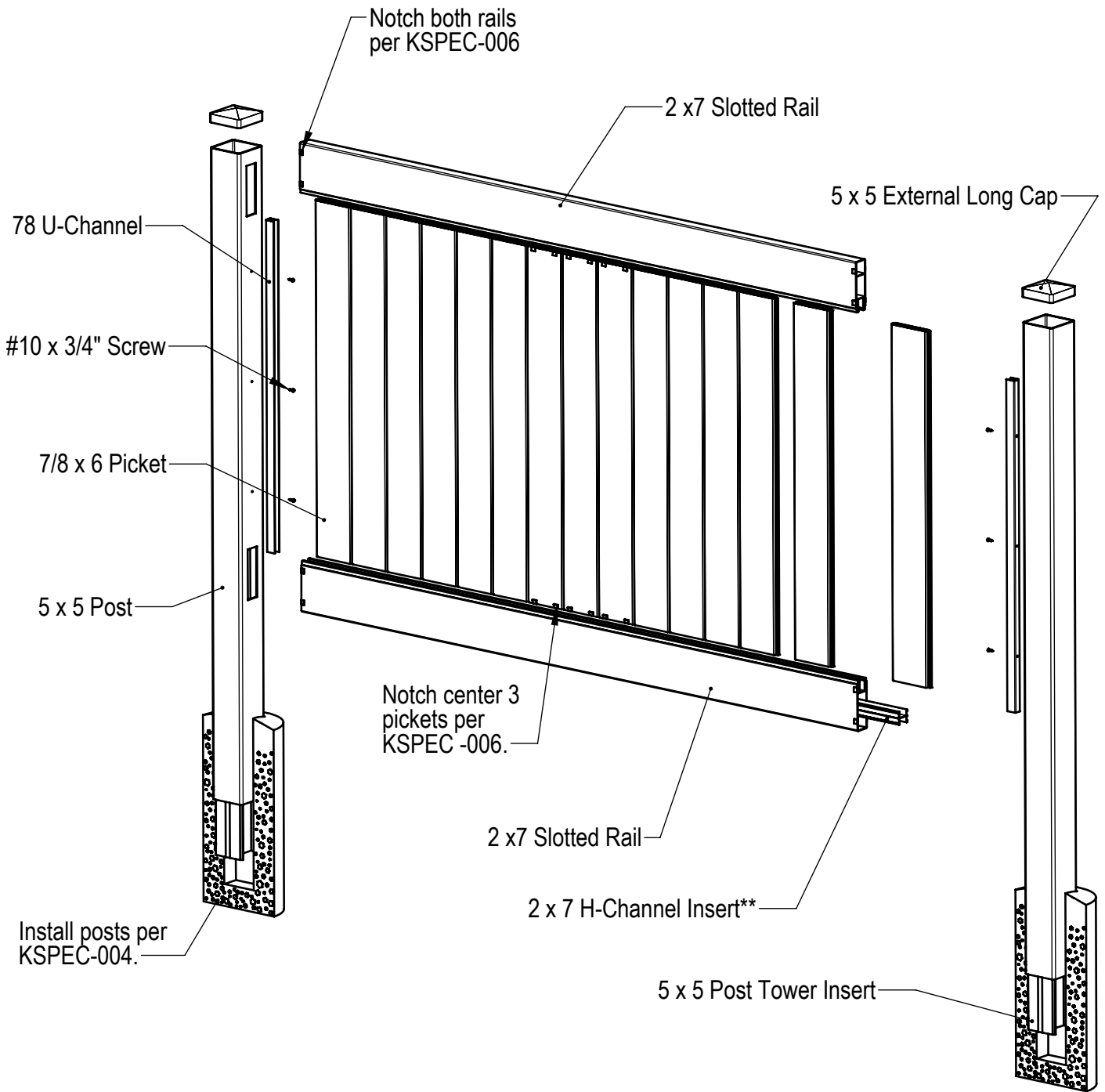
THIS DRAWING WAS MADE AND INTENDED FOR USE AS A GUIDE ONLY. ANY PRODUCT SUBSTITUTION OR VARIANCE MAY COMPROMISE THE STRUCTURE, DESIGN AND PERFORMANCE OF THE PRODUCT. NO WARRANTY IS EXPRESSED OR IMPLIED BY THIS DRAWING AND PLY GEM FENCE & RAIL.

P397

Sheet 1 of 2
10-19-18

60" H x 96" W Classic Privacy

with 2 x 7 Rail & 7/8 x 6 T&G Picket



**Aluminum insert required on Khaki and all Woodland Select colors.

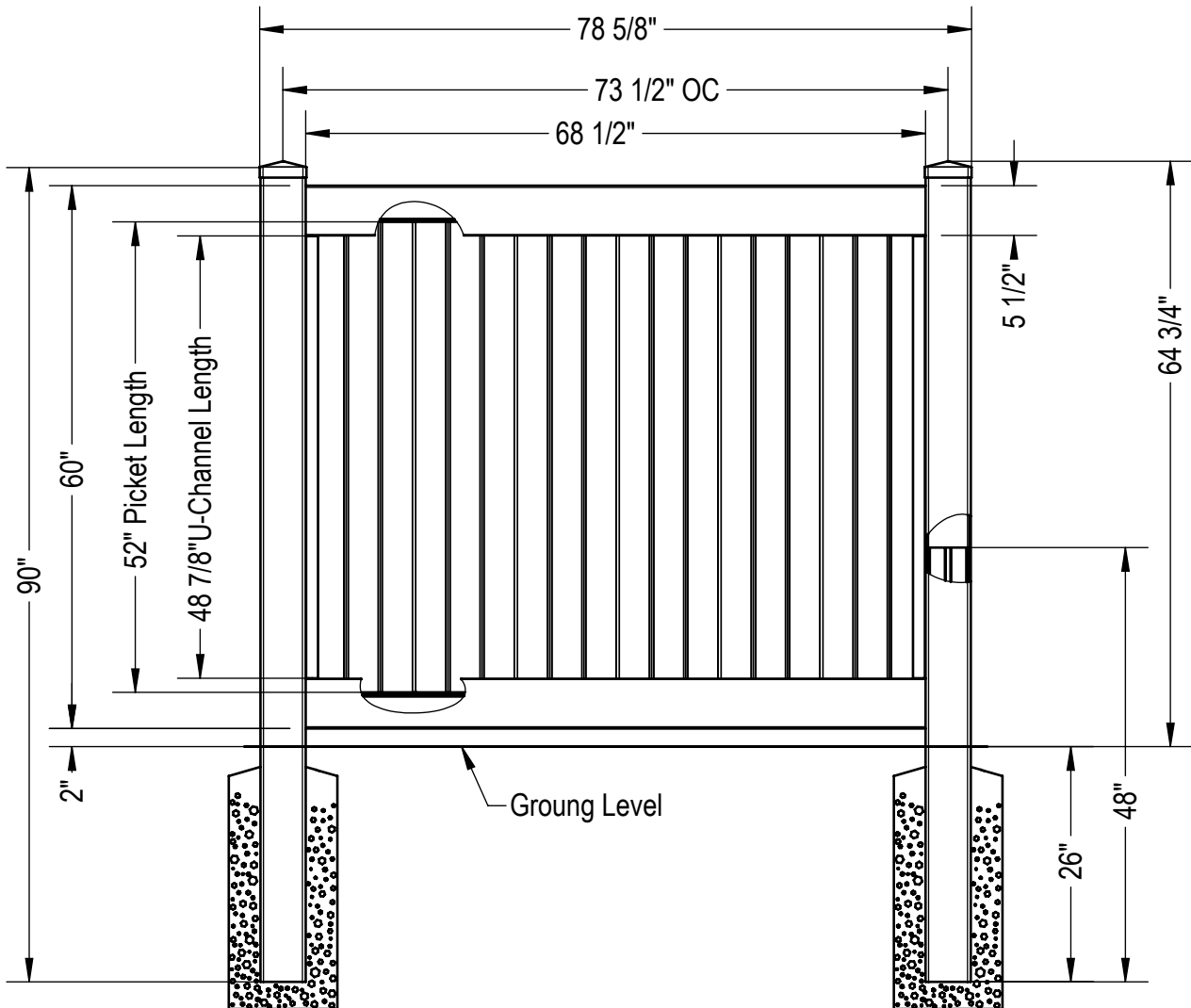
THIS DRAWING WAS MADE AND INTENDED FOR USE AS A GUIDE ONLY. ANY PRODUCT SUBSTITUTION OR VARIANCE MAY COMPROMISE THE STRUCTURE, DESIGN AND PERFORMANCE OF THE PRODUCT. NO WARRANTY IS EXPRESSED OR IMPLIED BY THIS DRAWING AND PLY GEM FENCE & RAIL.

P397

Sheet 2 of 2
10-19-18

60" H x 73 1/2" W Classic Privacy

with 2 x 7 Rail & 7/8 x 11 T&G Picket

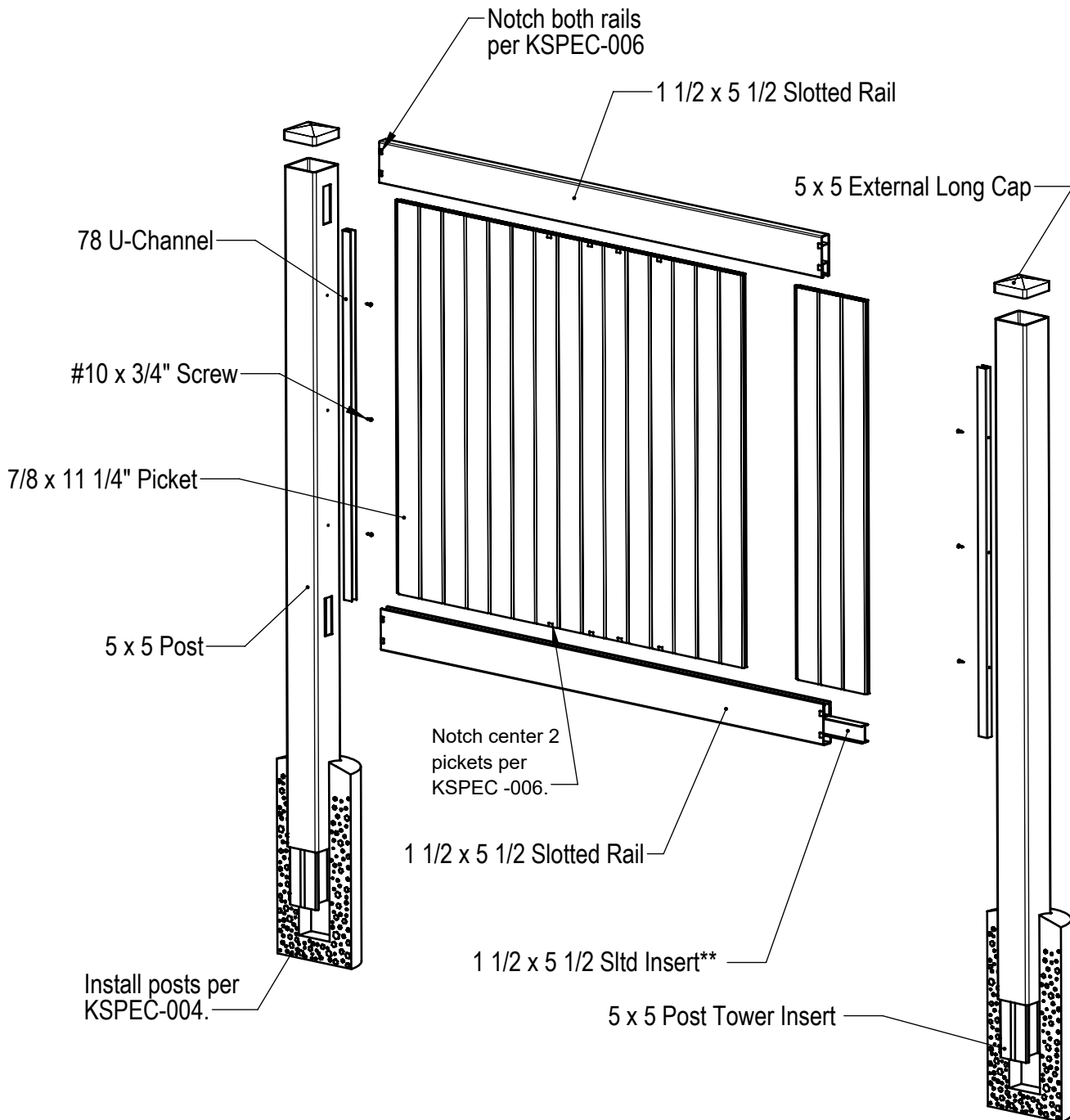


QTY.	Part Number	LENGTH
2	5 x 5 Post	90"
2	5 x 5 Post Tower Insert	48"
2	1 1/2 x 5 1/2 Slotted Rail	70 1/2"
6	7/8 x 11 1/4" Picket	52"
2	7/8 U-Channel	48 7/8"
6	#10 x 3/4" Screw	
2	5 x 5 External Long Cap	
	Insert for Khaki and WS colors	
1	1 1/2 x 5 1/2 Slt'd Insert	70 1/2"

THIS DRAWING WAS MADE AND INTENDED FOR USE AS A GUIDE ONLY. ANY PRODUCT SUBSTITUTION OR VARIANCE MAY COMPROMISE THE STRUCTURE, DESIGN AND PERFORMANCE OF THE PRODUCT. NO WARRANTY IS EXPRESSED OR IMPLIED BY THIS DRAWING AND PLY GEM FENCE & RAIL.

60" H x 73 1/2" W Classic Privacy

with 2 x 7 Rail & 7/8 x 11 T&G Picket

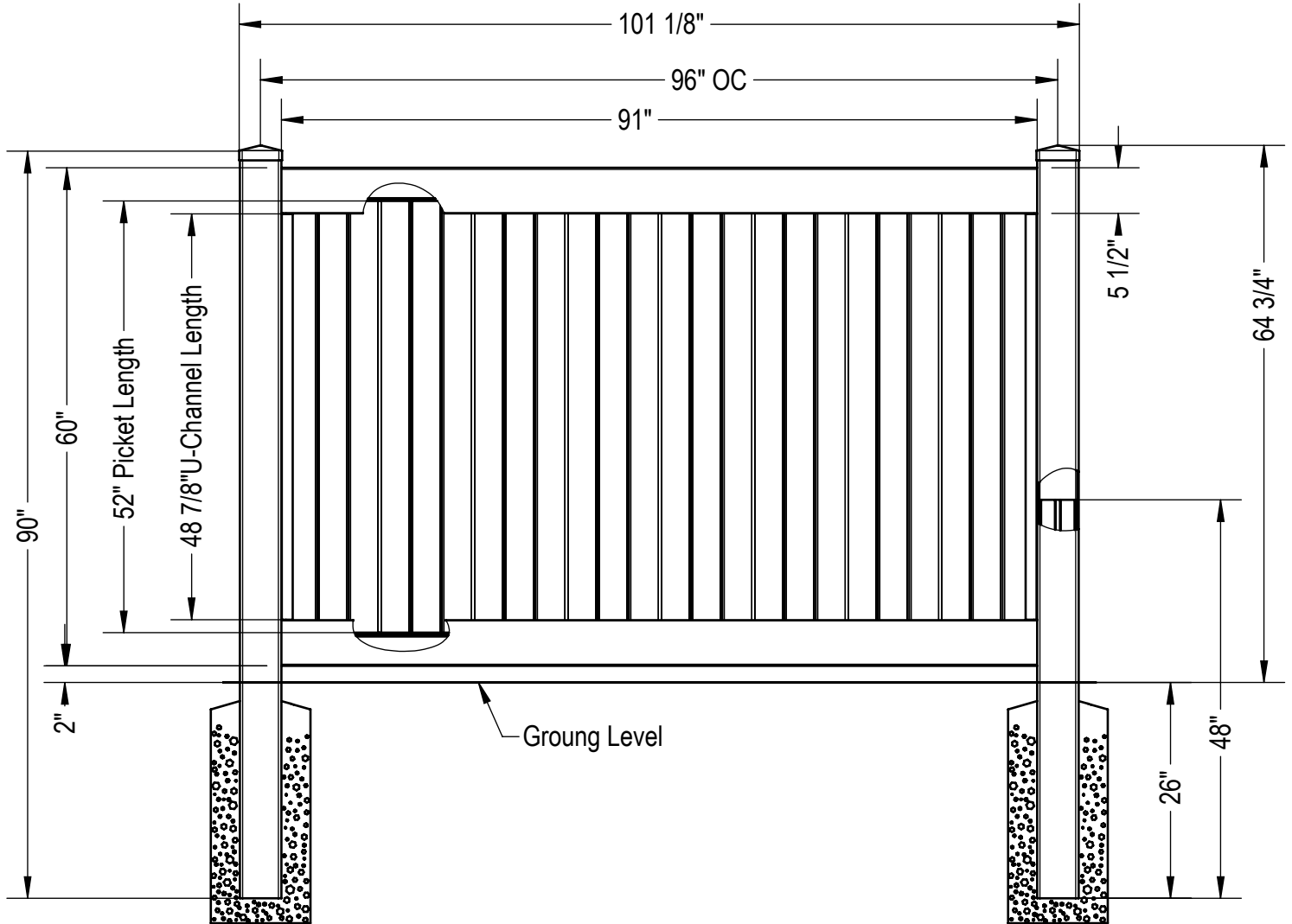


****Aluminum insert required on Khaki and all Woodland Select colors.**

THIS DRAWING WAS MADE AND INTENDED FOR USE AS A GUIDE ONLY. ANY PRODUCT SUBSTITUTION OR VARIANCE MAY COMPROMISE THE STRUCTURE, DESIGN AND PERFORMANCE OF THE PRODUCT. NO WARRANTY IS EXPRESSED OR IMPLIED BY THIS DRAWING AND PLY GEM FENCE & RAIL.

60" H x 96" W Classic Privacy

with 2 x 7 Rail & 7/8 x 11 T&G Picket



QTY.	Part Number	LENGTH
2	5 x 5 Post	90"
2	5 x 5 Post Tower Insert	48"
2	1 1/2 x 5 1/2 Slotted Rail	94 1/2"
8	7/8 x 11 1/4" Picket	52"
2	7/8 U-Channel	48 7/8"
6	#10 x 3/4" Screw	
2	5 x 5 External Long Cap	
	Insert for Khaki and WS colors	
1	1 1/2 x 5 1/2 Sltd Insert	94 1/2"

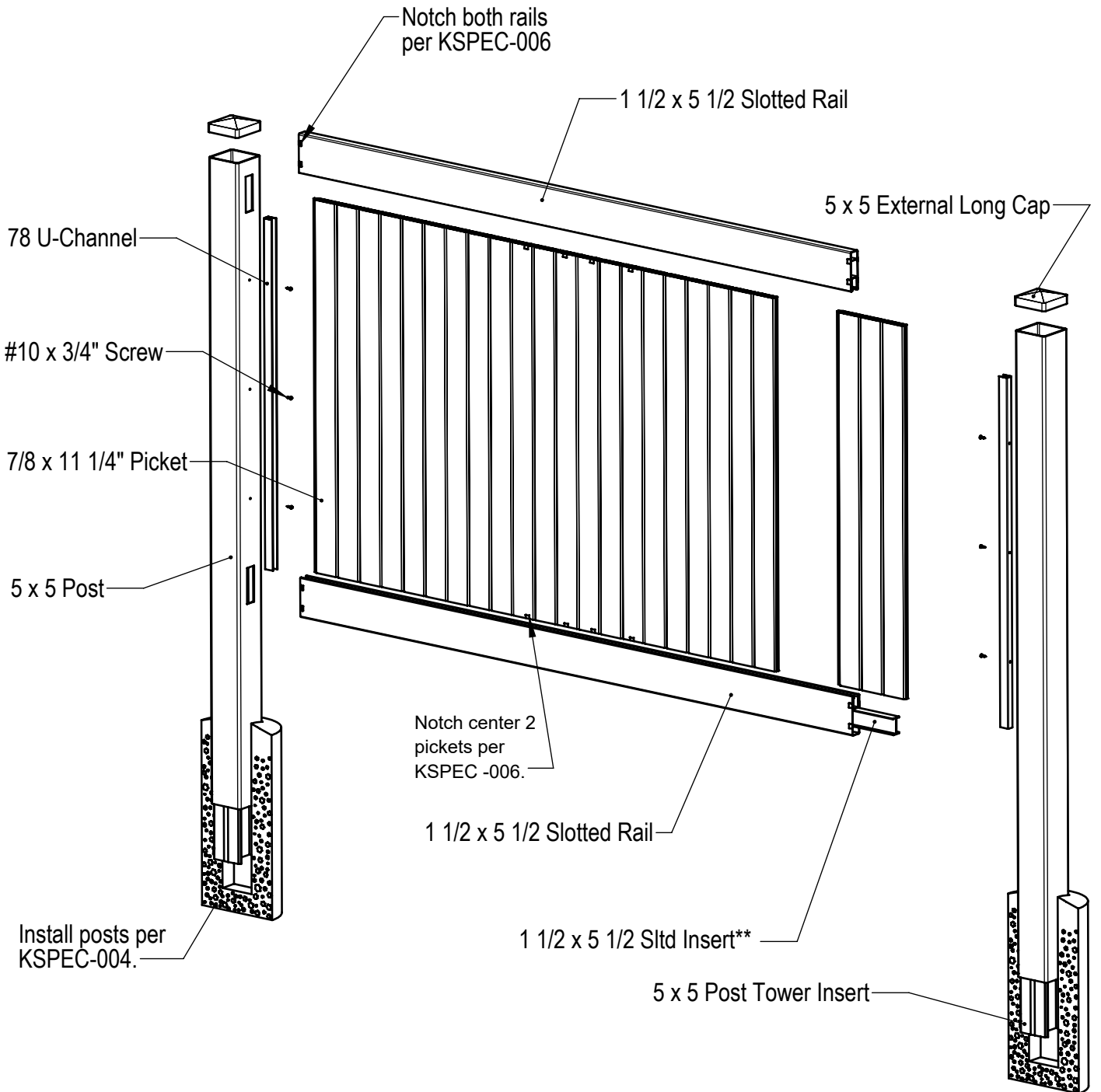
THIS DRAWING WAS MADE AND INTENDED FOR USE AS A GUIDE ONLY. ANY PRODUCT SUBSTITUTION OR VARIANCE MAY COMPROMISE THE STRUCTURE, DESIGN AND PERFORMANCE OF THE PRODUCT. NO WARRANTY IS EXPRESSED OR IMPLIED BY THIS DRAWING AND PLY GEM FENCE & RAIL.

P399

Sheet 1 of 2
11-13-18

60" H x 96" W Classic Privacy

with 2 x 7 Rail & 7/8 x 11 T&G Picket



****Aluminum insert required on Khaki and all Woodland Select colors.**

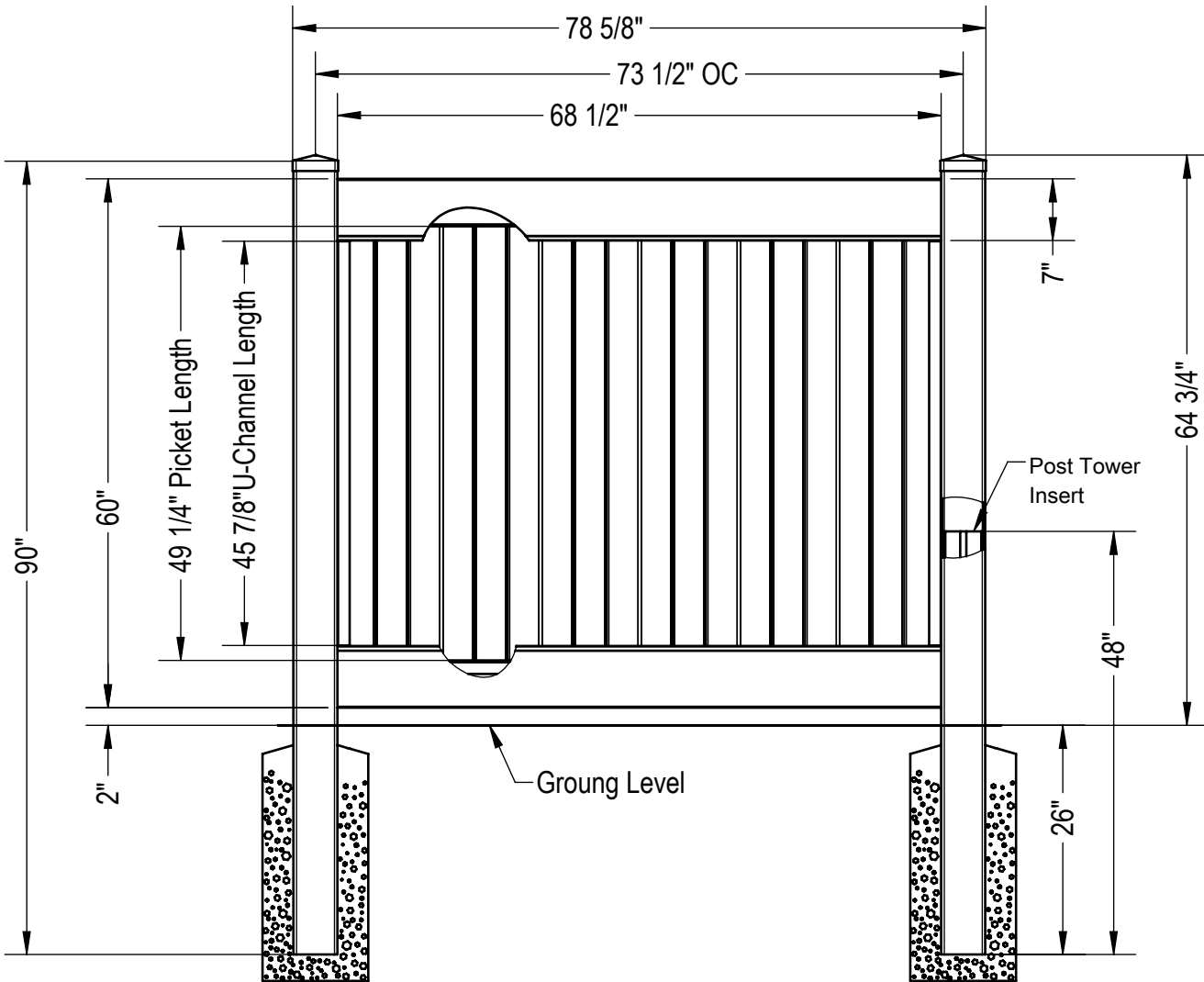
THIS DRAWING WAS MADE AND INTENDED FOR USE AS A GUIDE ONLY. ANY PRODUCT SUBSTITUTION OR VARIANCE MAY COMPROMISE THE STRUCTURE, DESIGN AND PERFORMANCE OF THE PRODUCT. NO WARRANTY IS EXPRESSED OR IMPLIED BY THIS DRAWING AND PLY GEM FENCE & RAIL.

P399

Sheet 2 of 2
11-13-18

60" H x 73 1/2" W Classic Privacy

with 2 x 7 Rail & 7/8 x 11 T&G Picket



QTY.	Part Number	LENGTH
2	5 x 5 Post	90"
2	5 x 5 Post Tower Insert	48"
6	7/8 x 11 1/4" Picket	49 1/4"
2	2 x 7 Slotted Rail	70 1/2"
2	7/8 U-Channel	45 7/8"
6	#10 x 3/4" Screw	
2	5 x 5 External Long Cap	
	Insert for Khaki and WS colors	
1	2 x 7 H-Channel Insert	70 1/2"

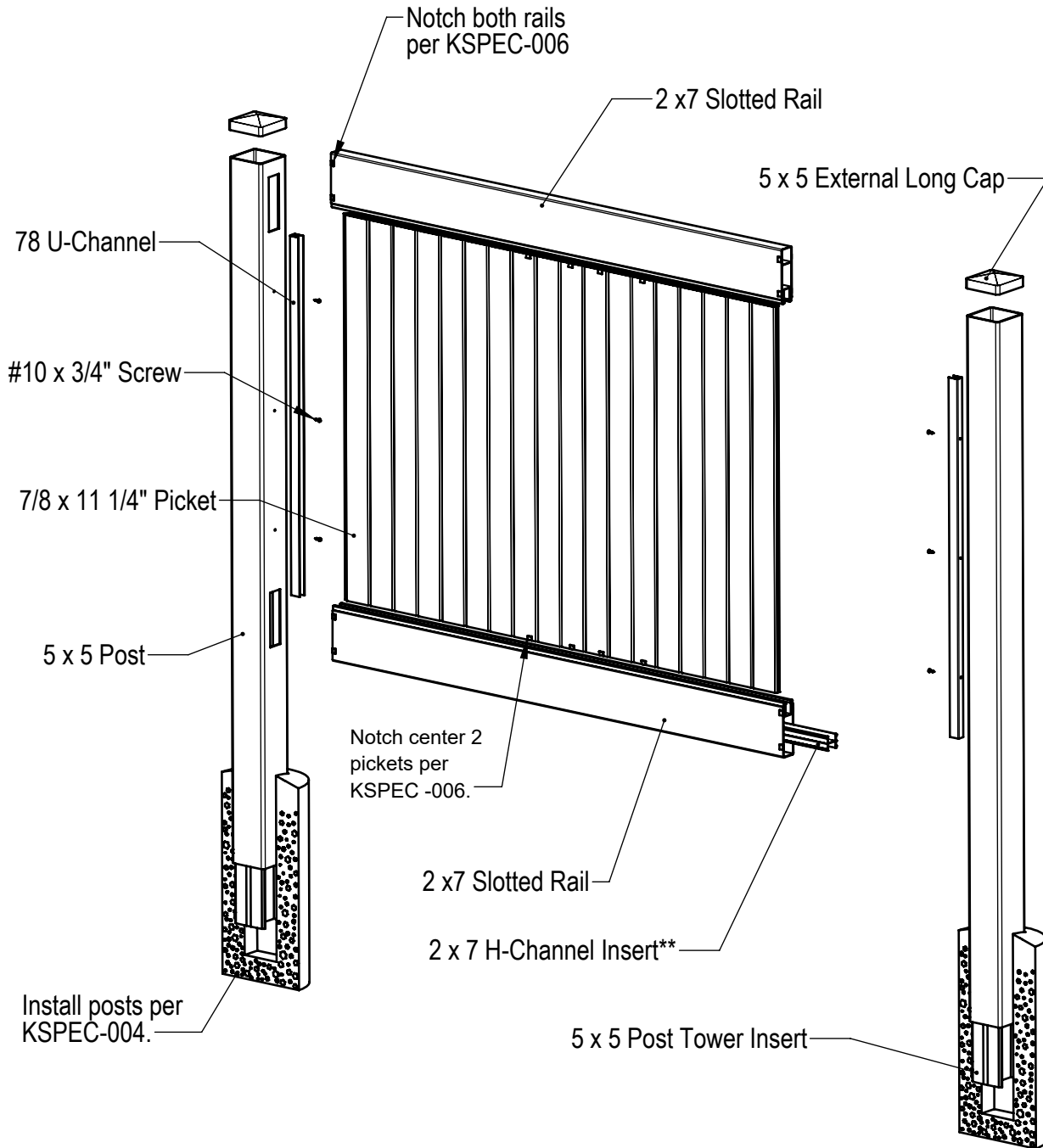
THIS DRAWING WAS MADE AND INTENDED FOR USE AS A GUIDE ONLY. ANY PRODUCT SUBSTITUTION OR VARIANCE MAY COMPROMISE THE STRUCTURE, DESIGN AND PERFORMANCE OF THE PRODUCT. NO WARRANTY IS EXPRESSED OR IMPLIED BY THIS DRAWING AND PLY GEM FENCE & RAIL.

P400

Sheet 1 of 2
11-13-18

60" H x 73 1/2" W Classic Privacy

with 2 x 7 Rail & 7/8 x 11 T&G Picket



**Aluminum insert required on Khaki and all Woodland Select colors.

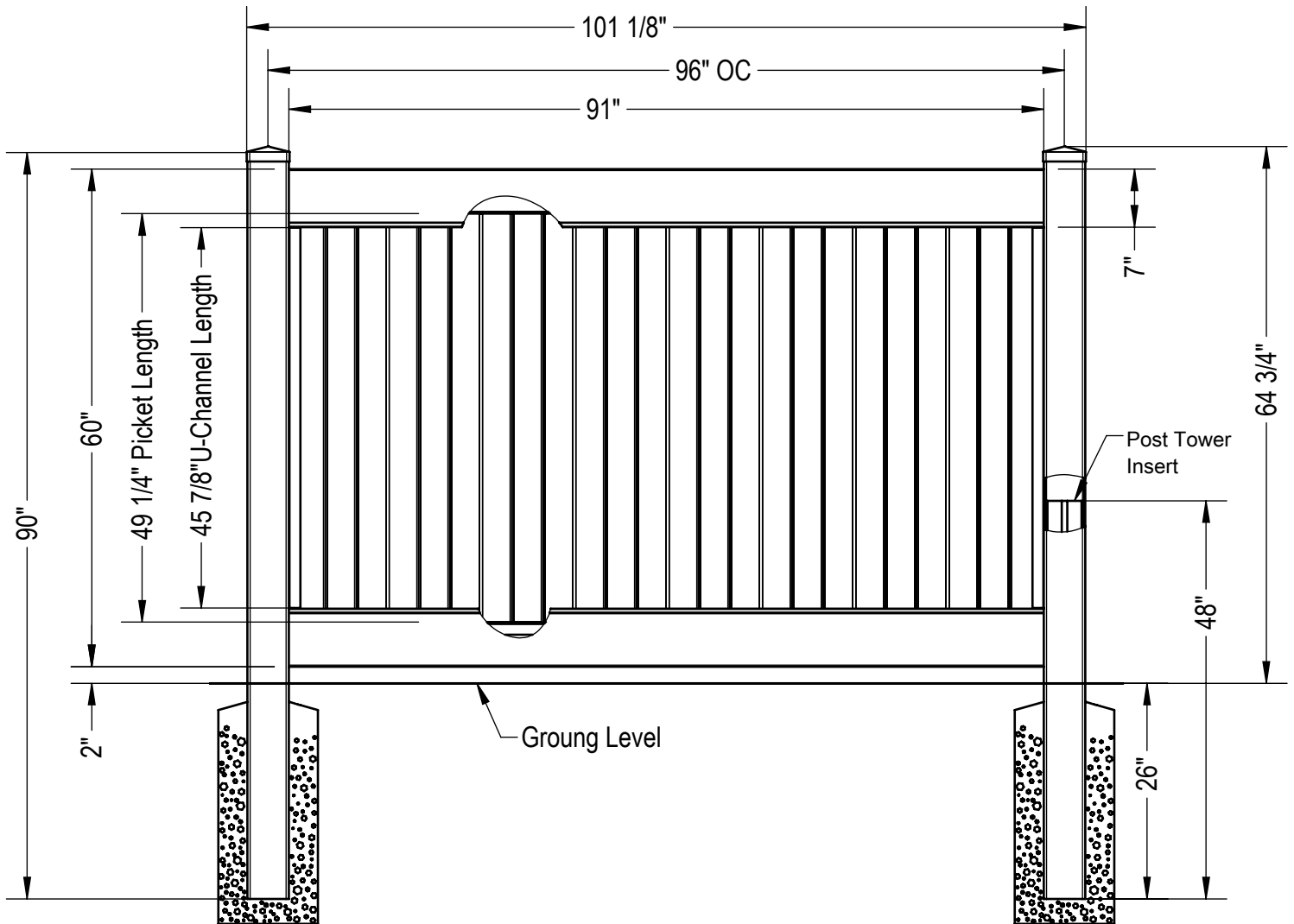
THIS DRAWING WAS MADE AND INTENDED FOR USE AS A GUIDE ONLY. ANY PRODUCT SUBSTITUTION OR VARIANCE MAY COMPROMISE THE STRUCTURE, DESIGN AND PERFORMANCE OF THE PRODUCT. NO WARRANTY IS EXPRESSED OR IMPLIED BY THIS DRAWING AND PLY GEM FENCE & RAIL.

P400

Sheet 2 of 2
11-13-18

60" H x 96" W Classic Privacy

with 2 x 7 Rail & 7/8 x 11 T&G Picket



QTY.	Part Number	LENGTH
2	5 x 5 Post GS	90"
2	5 x 5 Post Tower Insert	48"
8	7/8 x 11 1/4" Picket	49 1/4"
2	2 x 7 Slotted Rail	94 1/2"
2	7/8 U-Channel	45 7/8"
6	#10 x 3/4" Screw	
2	5 x 5 External Long Cap	
	Insert for Khaki and WS colors	
1	2 x 7 H-Channel Insert	94 1/2"

REVISION HISTORY	
REV.	DESCRIPTION
DATE	

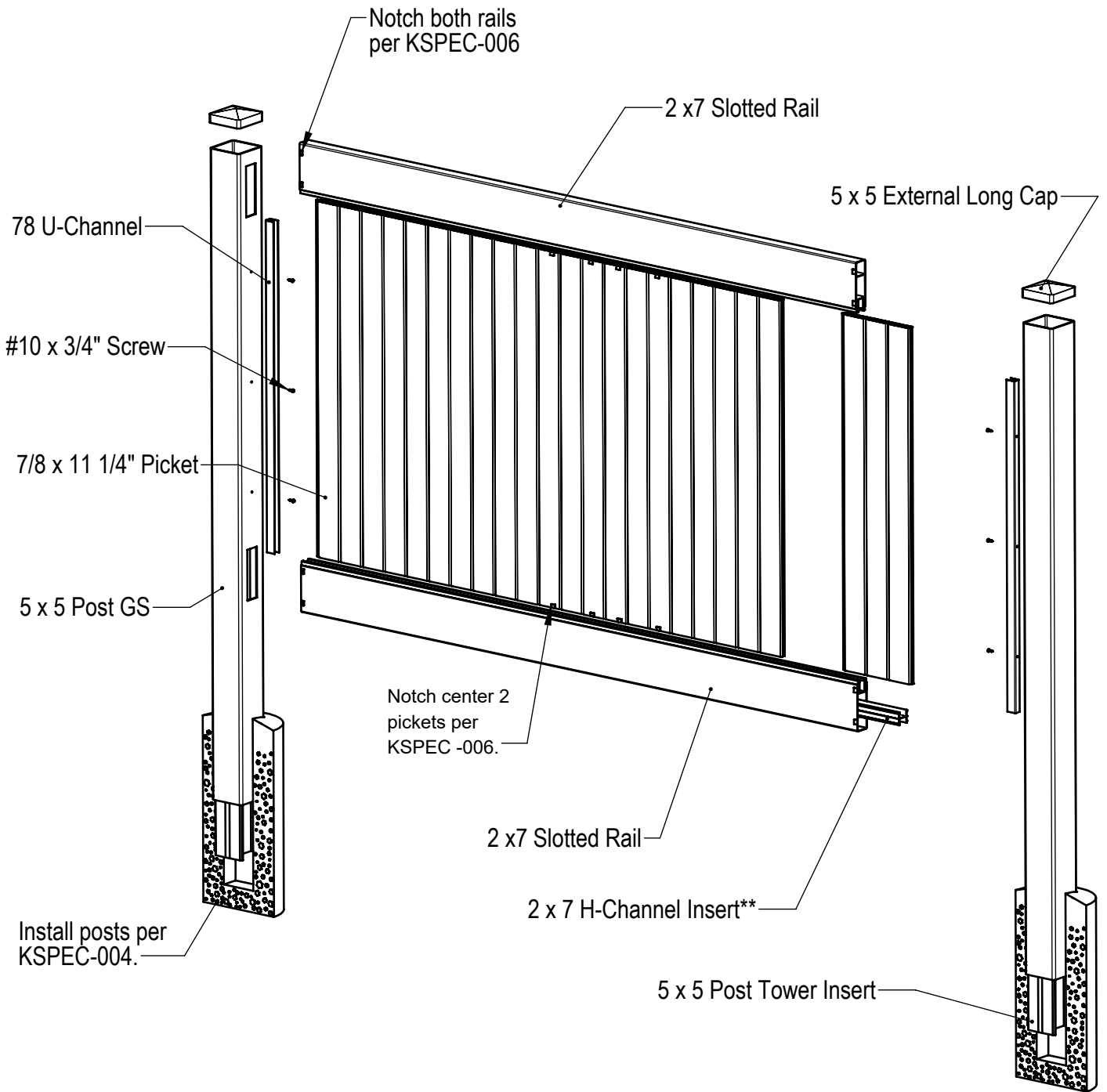
THIS DRAWING WAS MADE AND INTENDED FOR USE AS A GUIDE ONLY. ANY PRODUCT SUBSTITUTION OR VARIANCE MAY COMPROMISE THE STRUCTURE, DESIGN AND PERFORMANCE OF THE PRODUCT. NO WARRANTY IS EXPRESSED OR IMPLIED BY THIS DRAWING AND PLY GEM FENCE & RAIL.

P401

Sheet 1 of 2
11-13-18

60" H x 96" W Classic Privacy

with 2 x 7 Rail & 7/8 x 11 T&G Picket



**Aluminum insert required on Khaki and all Woodland Select colors.

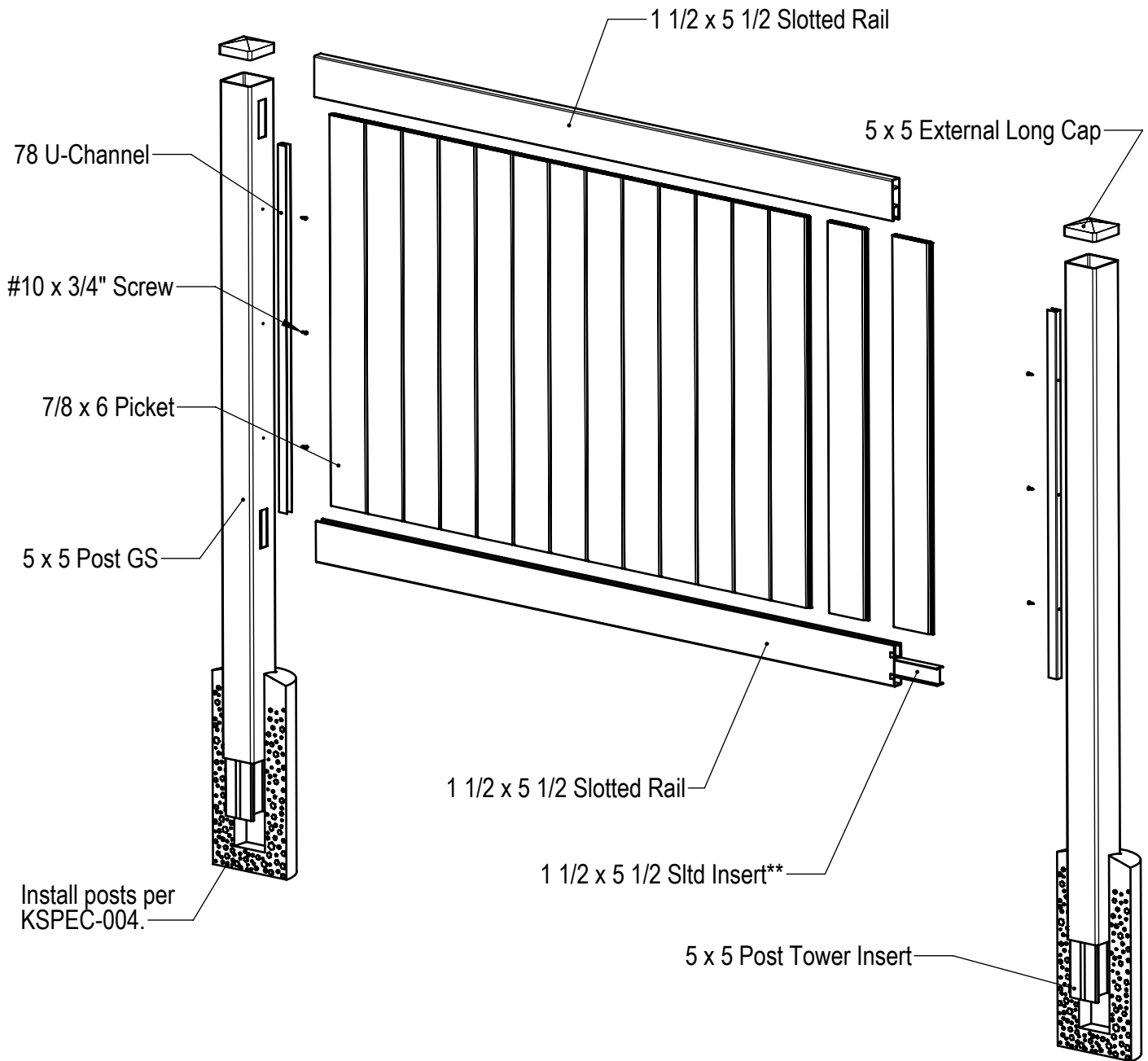
THIS DRAWING WAS MADE AND INTENDED FOR USE AS A GUIDE ONLY. ANY PRODUCT SUBSTITUTION OR VARIANCE MAY COMPROMISE THE STRUCTURE, DESIGN AND PERFORMANCE OF THE PRODUCT. NO WARRANTY IS EXPRESSED OR IMPLIED BY THIS DRAWING AND PLY GEM FENCE & RAIL.

P401

Sheet 2 of 2
11-13-18

60" H x 96" W Classic Privacy

with 1 1/2 x 5 1/2 Rail & 7/8 x 6 T&G Picket

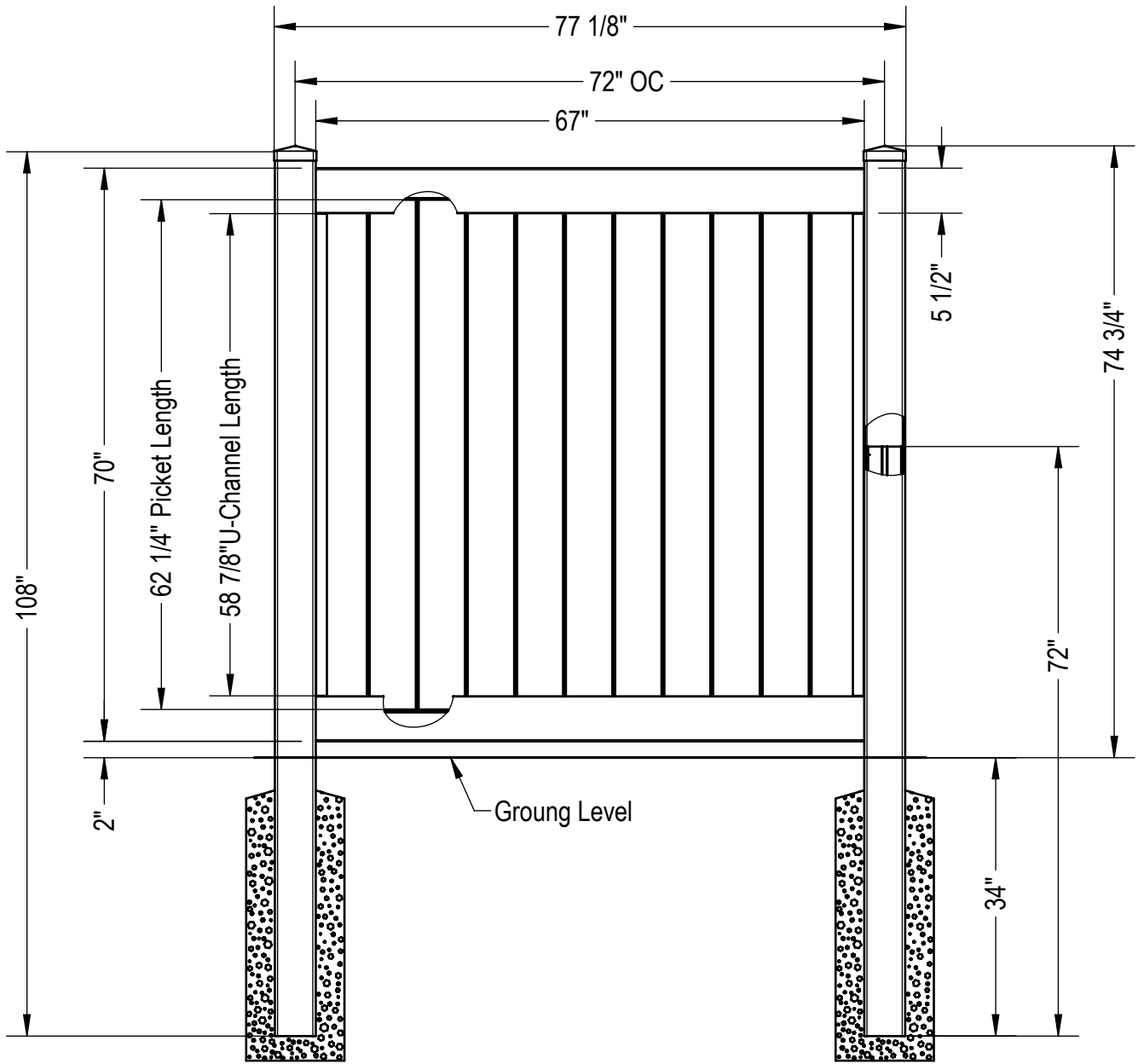


**Aluminum insert required on Khaki and all Woodland Select colors.

THIS DRAWING WAS MADE AND INTENDED FOR USE AS A GUIDE ONLY. ANY PRODUCT SUBSTITUTION OR VARIANCE MAY COMPROMISE THE STRUCTURE, DESIGN AND PERFORMANCE OF THE PRODUCT. NO WARRANTY IS EXPRESSED OR IMPLIED BY THIS DRAWING AND PLY GEM FENCE & RAIL.

70" H x 72" W Classic Privacy

with 1 1/2 x 5 1/2 Rail & 7/8 x 6 T&G Picket



QTY.	Part Number	LENGTH
2	5 x 5 Post	108"
2	5 x 5 Post Tower Insert	72"
2	1 1/2 x 5 1/2 Slotted Rail	70 1/2"
11	7/8 x 6 Picket	62 1/4"
2	7/8 U-Channel	58 7/8"
6	#10 x 3/4" Screw	
2	5 x 5 External Long Cap	
	Insert for Khaki and WS colors	
1	1 1/2 x 5 1/2 Sldt Insert	70 1/2"

REVISION HISTORY	
REV#	DATE
1	03/07/18

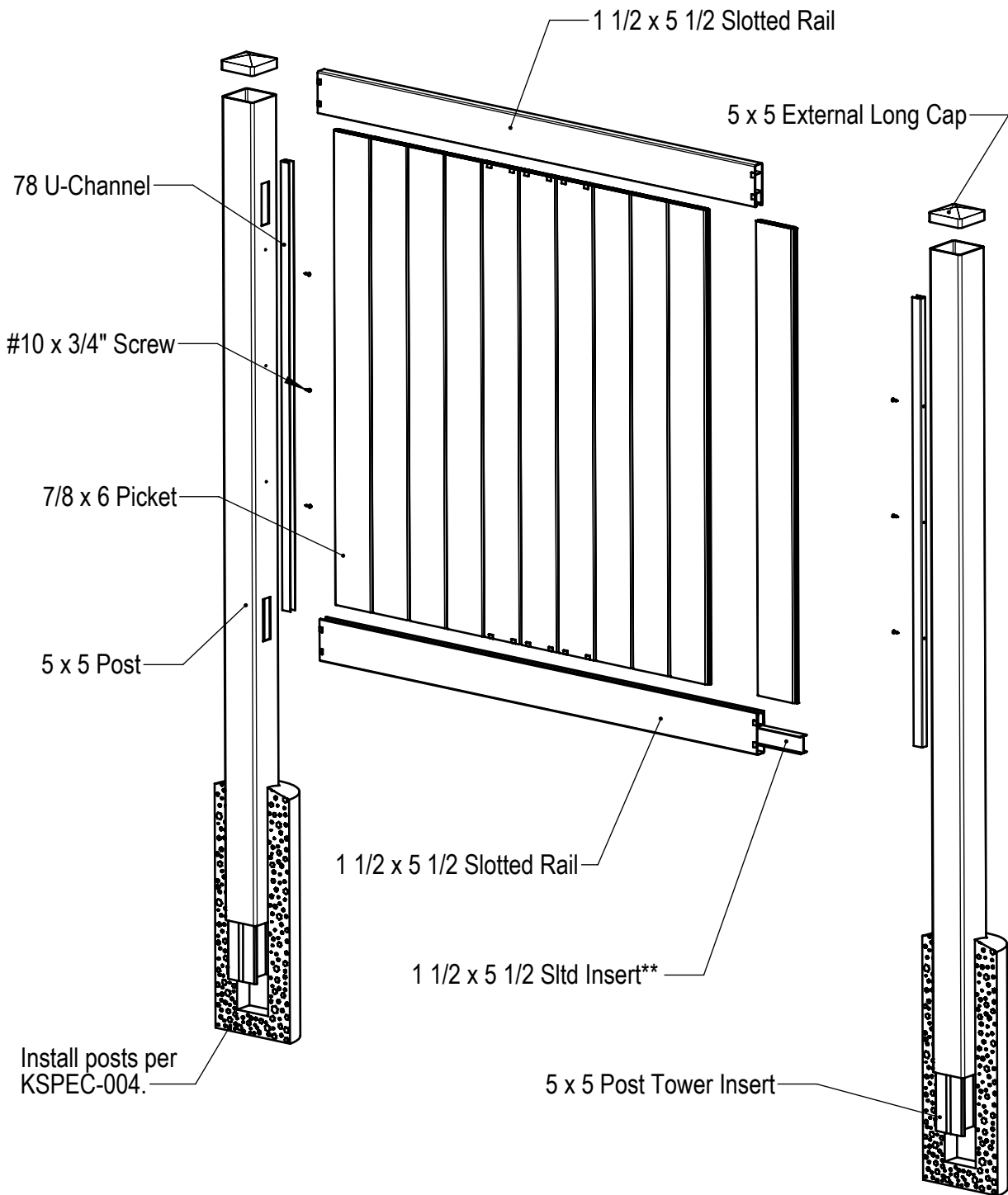
THIS DRAWING WAS MADE AND INTENDED FOR USE AS A GUIDE ONLY. ANY PRODUCT SUBSTITUTION OR VARIANCE MAY COMPROMISE THE STRUCTURE, DESIGN AND PERFORMANCE OF THE PRODUCT. NO WARRANTY IS EXPRESSED OR IMPLIED BY THIS DRAWING AND PLY GEM FENCE & RAIL.

P403

Sheet 1 of 2
11-12-18

70" H x 72" W Classic Privacy

with 1 1/2 x 5 1/2 Rail & 7/8 x 6 T&G Picket



**Aluminum insert required on Khaki and all Woodland Select colors.

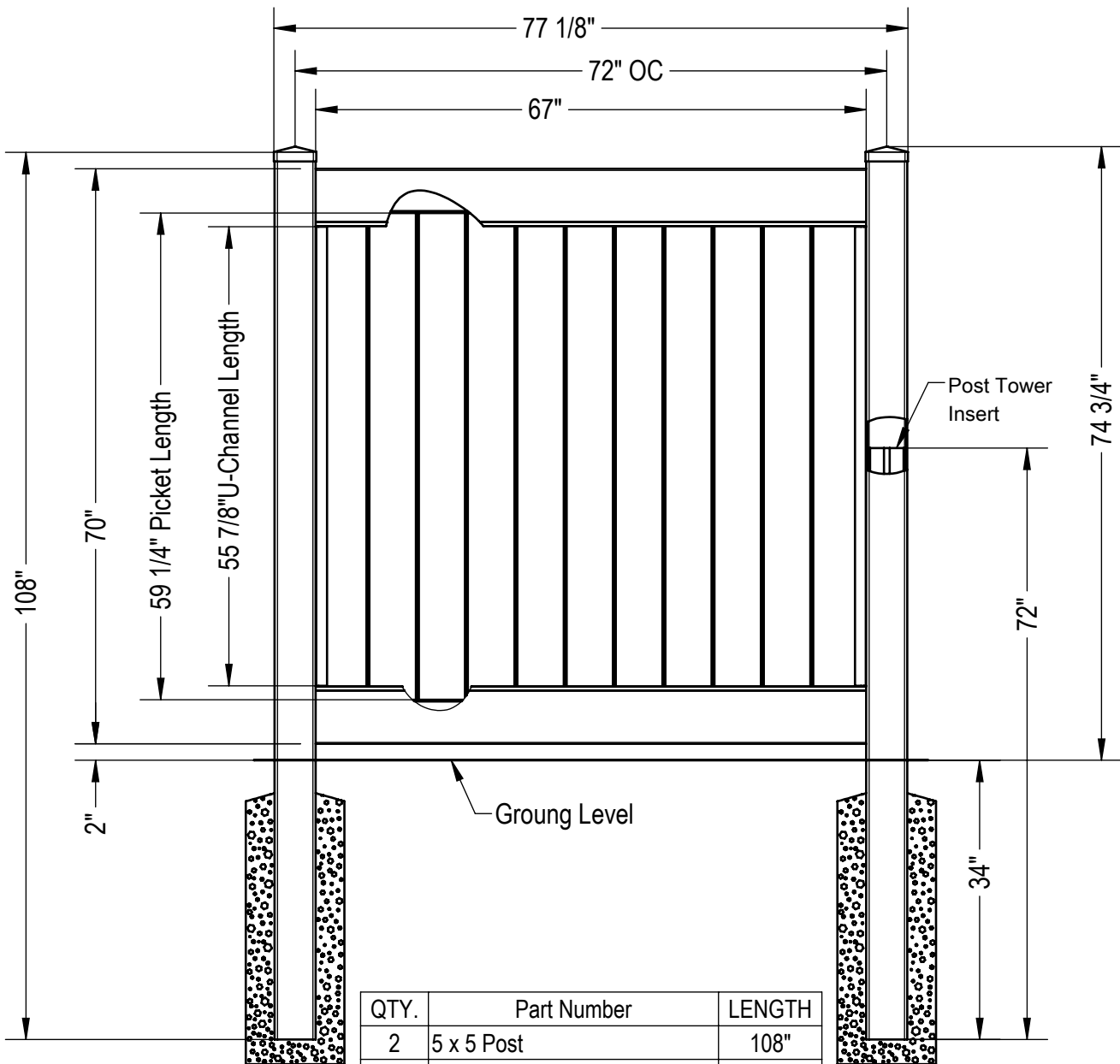
THIS DRAWING WAS MADE AND INTENDED FOR USE AS A GUIDE ONLY. ANY PRODUCT SUBSTITUTION OR VARIANCE MAY COMPROMISE THE STRUCTURE, DESIGN AND PERFORMANCE OF THE PRODUCT. NO WARRANTY IS EXPRESSED OR IMPLIED BY THIS DRAWING AND PLY GEM FENCE & RAIL.

P403

Sheet 2 of 2
11-12-18

70" H x 72" W Classic Privacy

with 2 x 7 Rail & 7/8 x 6 T&G Picket



QTY.	Part Number	LENGTH
2	5 x 5 Post	108"
2	5 x 5 Post Tower Insert	72"
2	2 x 7 Slotted Rail	70 1/2"
11	7/8 x 6 Picket	59 1/4"
2	7/8 U-Channel	55 7/8"
6	#10 x 3/4" Screw	
2	5 x 5 External Long Cap	
	Insert for Khaki and WS colors	
1	2 x 7 H-Channel Insert	70 1/2"

REVISION HISTORY	
REV	DATE
DESCRIPTION	

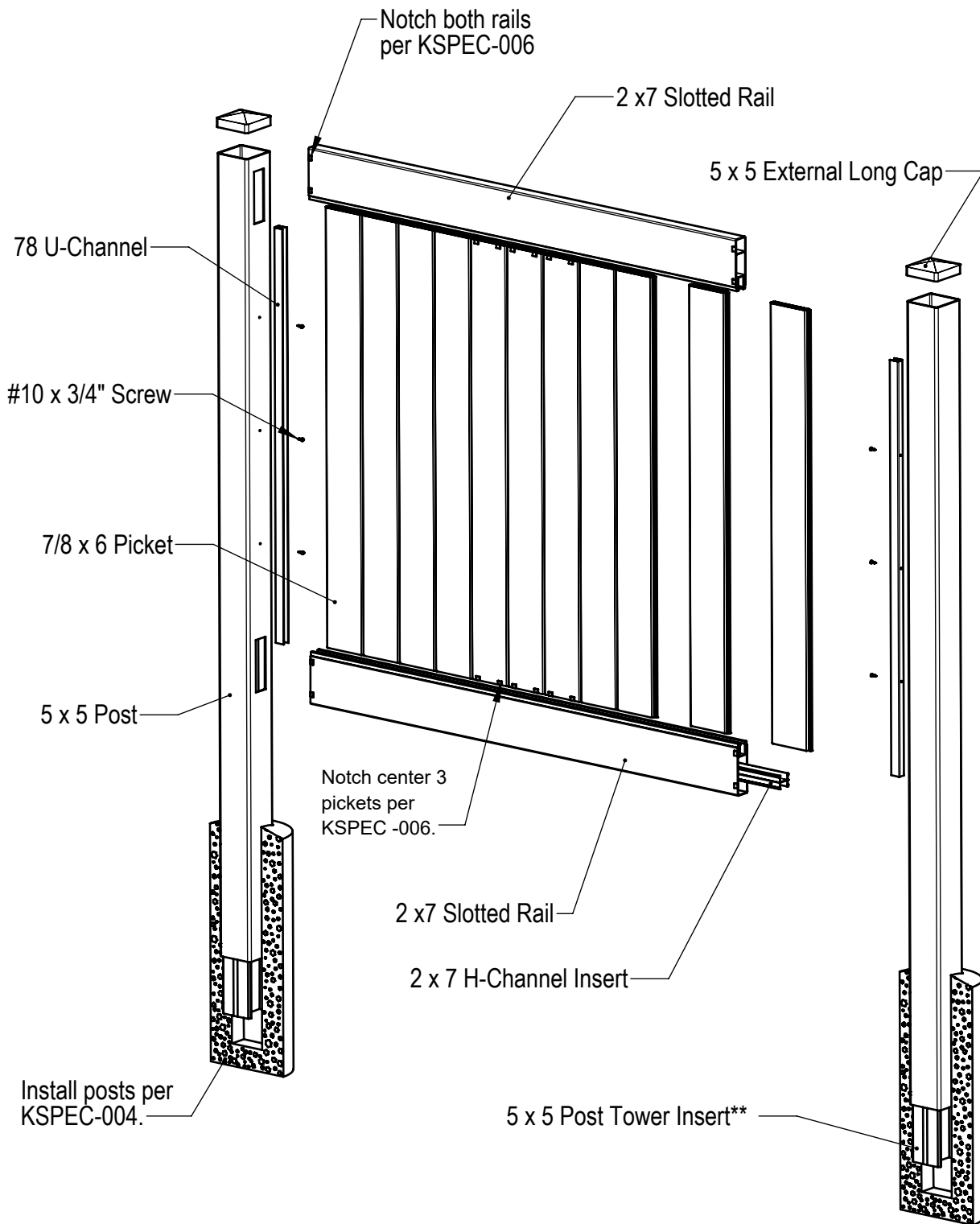
THIS DRAWING WAS MADE AND INTENDED FOR USE AS A GUIDE ONLY. ANY PRODUCT SUBSTITUTION OR VARIANCE MAY COMPROMISE THE STRUCTURE, DESIGN AND PERFORMANCE OF THE PRODUCT. NO WARRANTY IS EXPRESSED OR IMPLIED BY THIS DRAWING AND PLY GEM FENCE & RAIL.

P404

Sheet 1 of 2
11-12-18

70" H x 72" W Classic Privacy

with 2 x 7 Rail & 7/8 x 6 T&G Picket



**Aluminum insert required on Khaki and all Woodland Select colors.

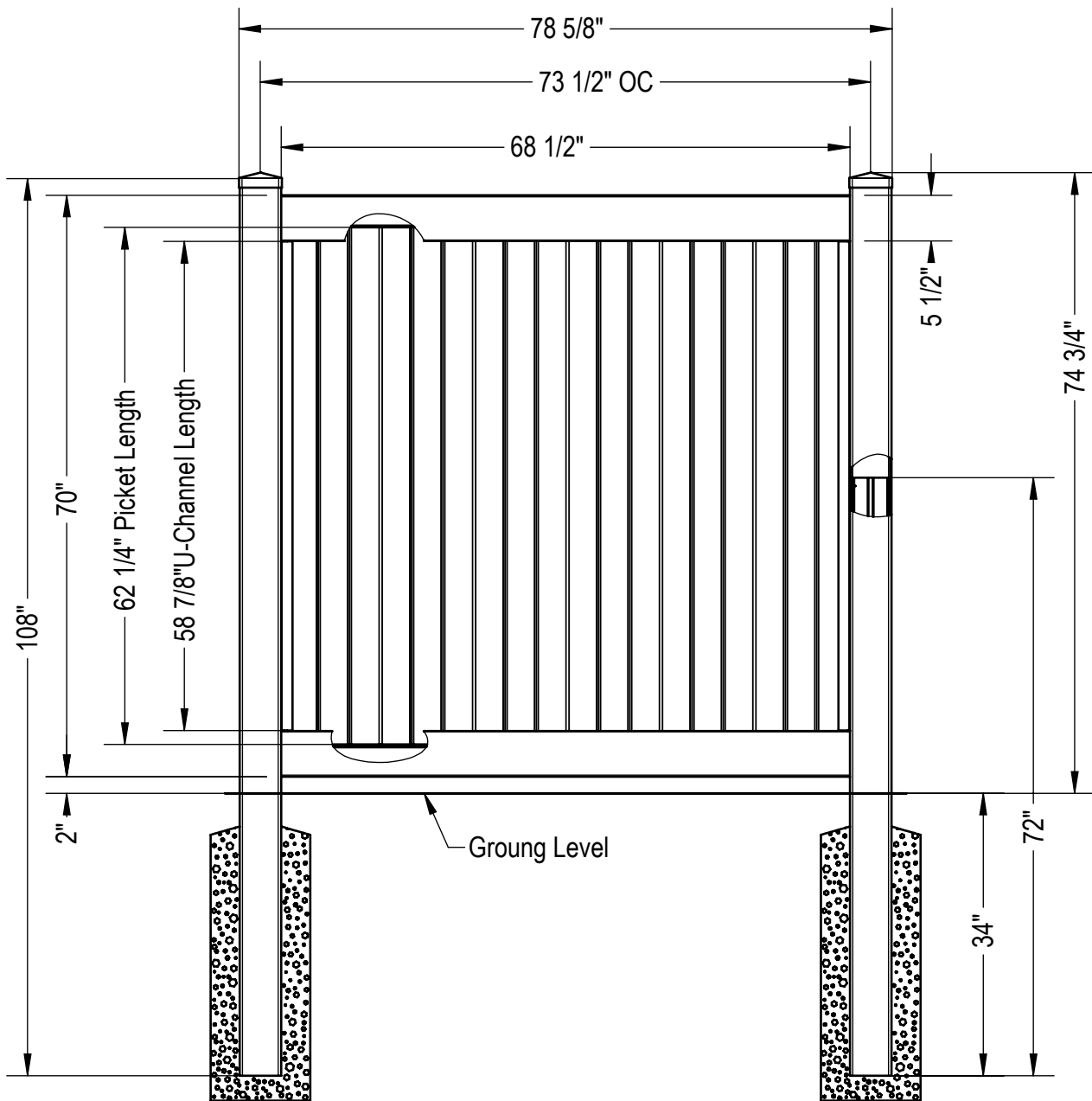
THIS DRAWING WAS MADE AND INTENDED FOR USE AS A GUIDE ONLY. ANY PRODUCT SUBSTITUTION OR VARIANCE MAY COMPROMISE THE STRUCTURE, DESIGN AND PERFORMANCE OF THE PRODUCT. NO WARRANTY IS EXPRESSED OR IMPLIED BY THIS DRAWING AND PLY GEM FENCE & RAIL.

P404

Sheet 2 of 2
11-12-18

70" H x 73 1/2" W Classic Privacy

with 1 1/2 x 5 1/2 Rail & 7/8 x 11 1/4 T&G Picket



QTY.	Part Number	LENGTH
2	5 x 5 Post	108"
2	1 1/2 x 5 1/2 Slotted Rail	70 1/2"
1	1 1/2 x 5 1/2 Sltd Insert	70 1/2"
6	7/8 x 11 1/4" Picket	62 1/4"
2	7/8 U-Channel	58 7/8"
6	#10 x 3/4" Screw	
2	5 x 5 External Long Cap	
	Insert for Khaki and WS colors	
2	5 x 5 Post Tower Insert	72"

REVISION HISTORY	
REV.	DATE
DESCRIPTION	
010/10/2019	010/10/2019
010/10/2019	010/10/2019
010/10/2019	010/10/2019

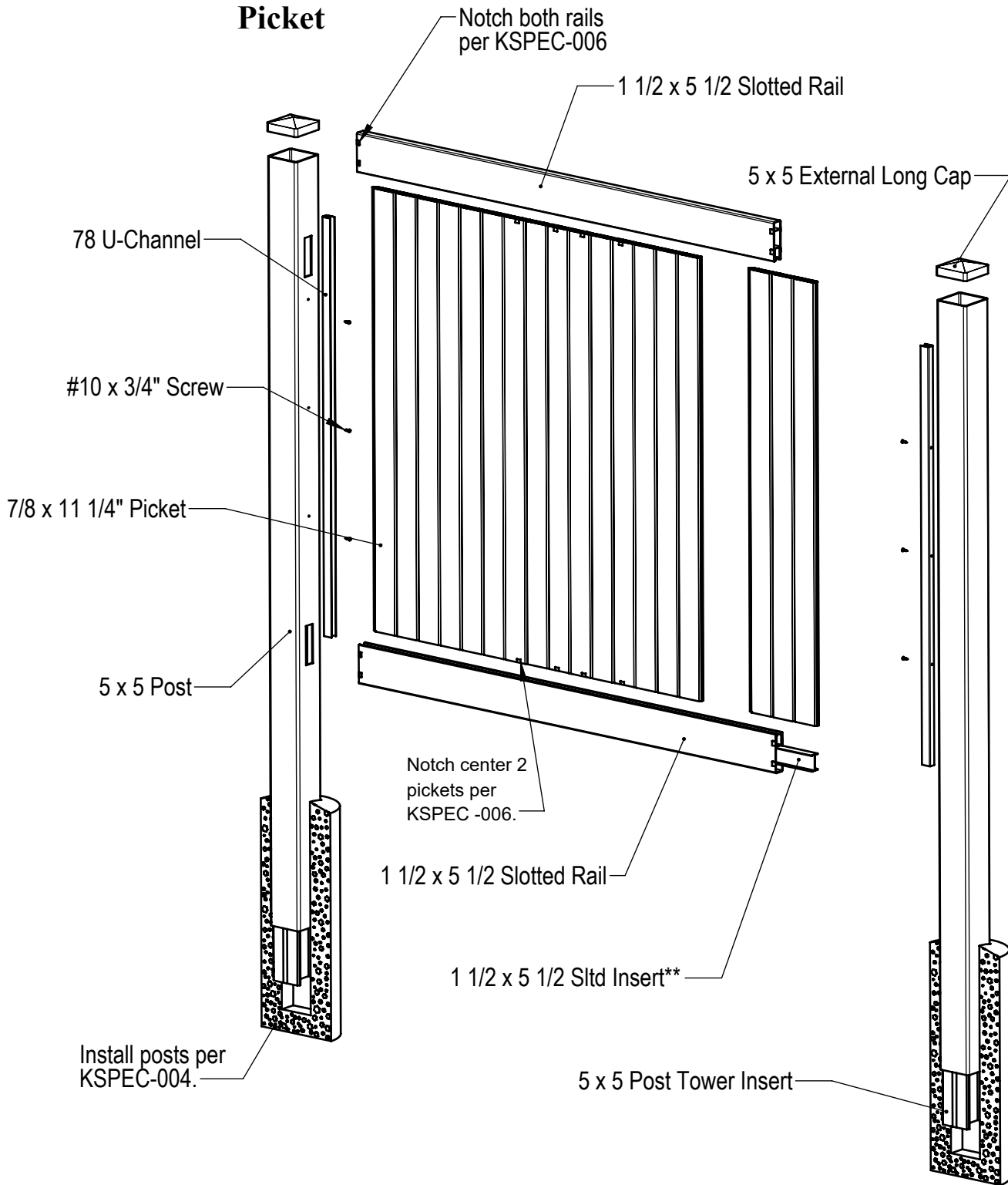
THIS DRAWING WAS MADE AND INTENDED FOR USE AS A GUIDE ONLY. ANY PRODUCT SUBSTITUTION OR VARIANCE MAY COMPROMISE THE STRUCTURE, DESIGN AND PERFORMANCE OF THE PRODUCT. NO WARRANTY IS EXPRESSED OR IMPLIED BY THIS DRAWING AND PLY GEM FENCE & RAIL.

P405

Sheet 1 of 2
11-13-18

70" H x 73 1/2" W Classic Privacy

with 1 1/2 x 5 1/2 Rail & 7/8 x 11 1/4 T&G Picket



**Aluminum insert required on Khaki and all Woodland Select colors.

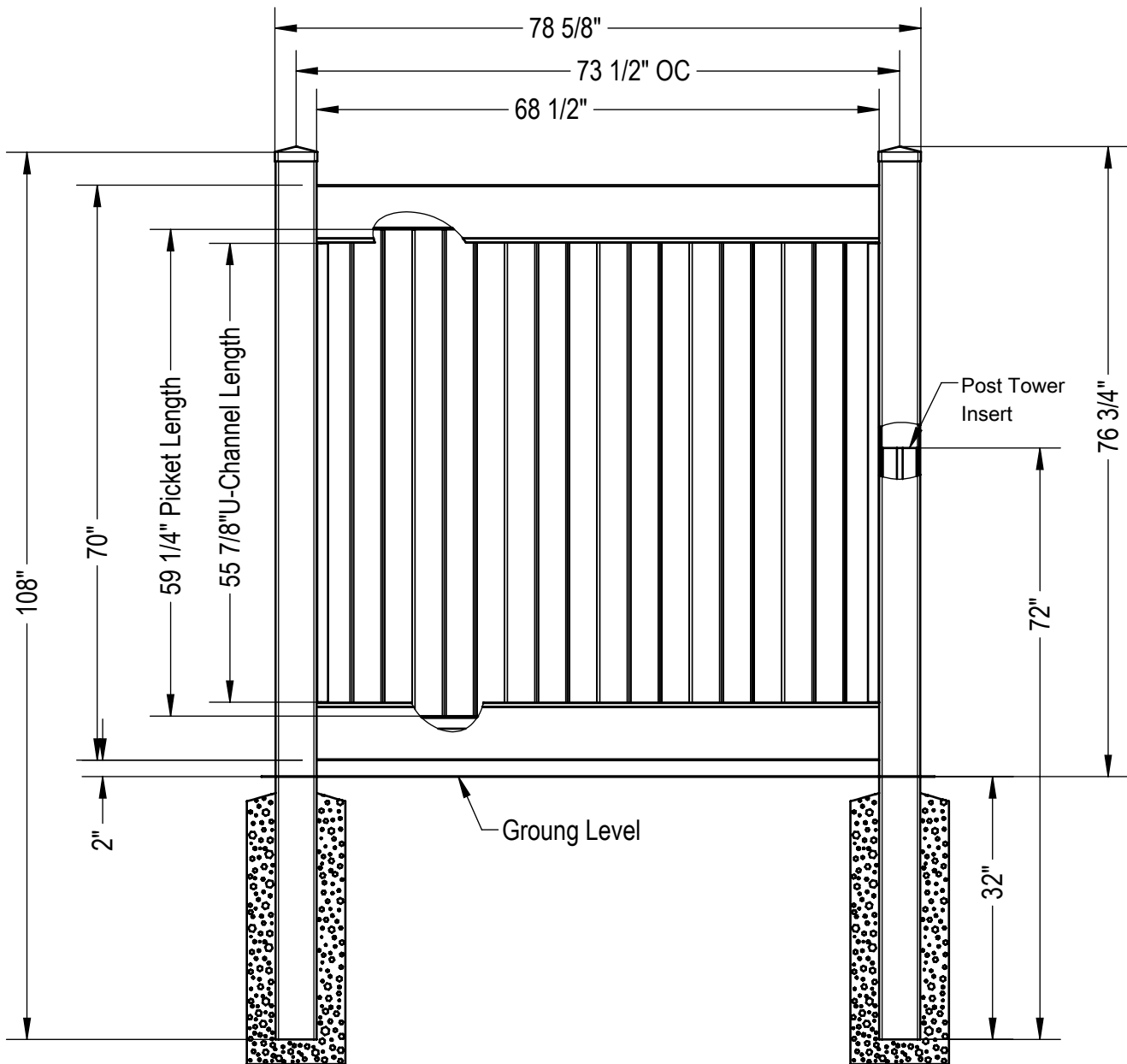
THIS DRAWING WAS MADE AND INTENDED FOR USE AS A GUIDE ONLY. ANY PRODUCT SUBSTITUTION OR VARIANCE MAY COMPROMISE THE STRUCTURE, DESIGN AND PERFORMANCE OF THE PRODUCT. NO WARRANTY IS EXPRESSED OR IMPLIED BY THIS DRAWING AND PLY GEM FENCE & RAIL.

P405

Sheet 2 of 2
11-13-18

70" H x 73 1/2" W Classic Privacy

with 2 x 7 Rail & 7/8 x 11 1/4 T&G Picket



QTY.	Part Number	LENGTH
2	5 x 5 Post	108"
2	5 x 5 Post Tower Insert	72"
6	7/8 x 11 1/4" Picket	59 1/4"
2	2 x 7 Slotted Rail	72"
2	7/8 U-Channel	55 7/8"
6	#10 x 3/4" Screw	
2	5 x 5 External Long Cap	
	Insert for Khaki and WS colors	
1	2 x 7 H-Channel Insert	70 1/2"

REVISION HISTORY	
REV/	DATE
DESCRIPTION	
Orig post 1021 to 108" - add tower insert for 72" - ASTM F1981	03/07/19

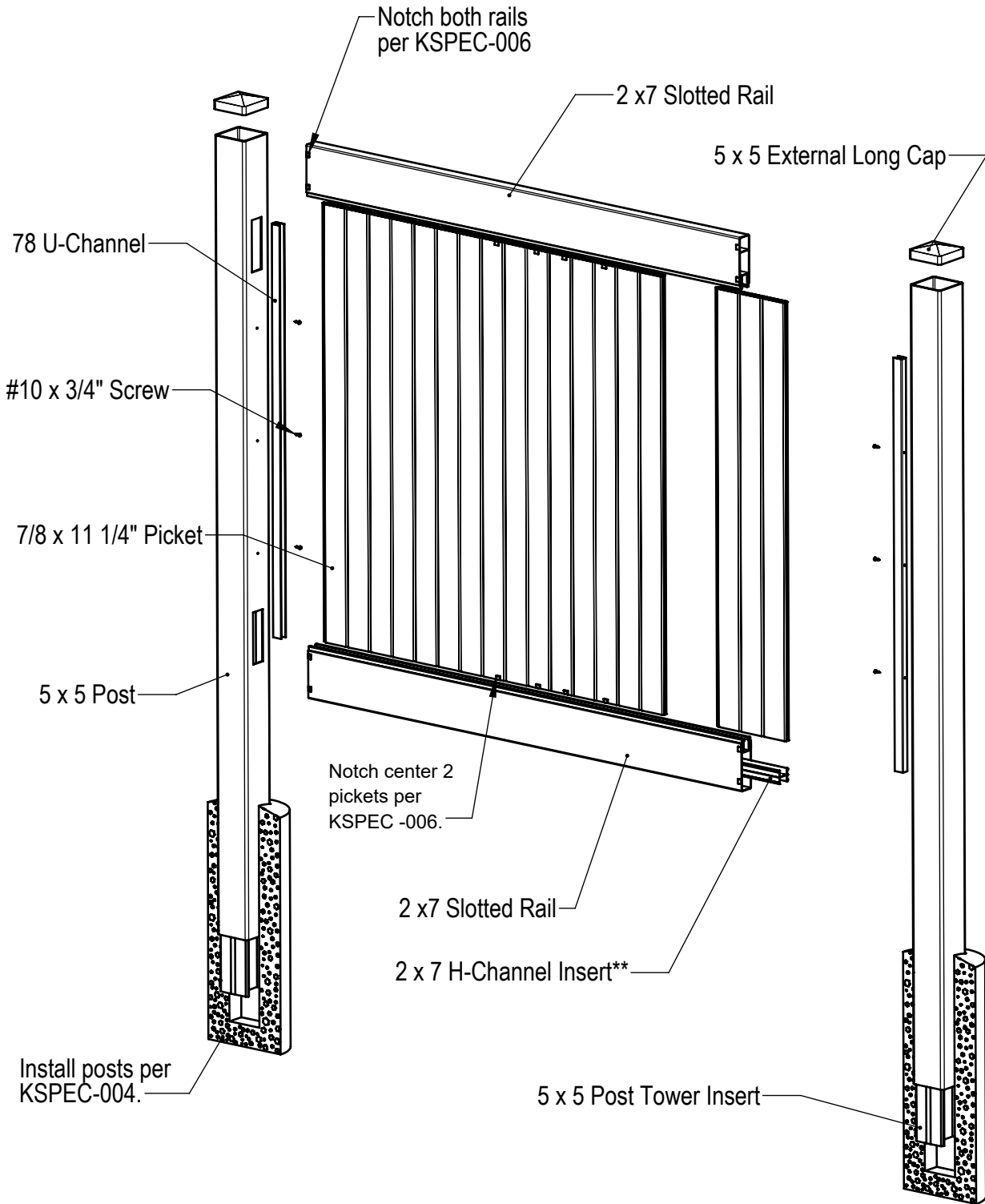
THIS DRAWING WAS MADE AND INTENDED FOR USE AS A GUIDE ONLY. ANY PRODUCT SUBSTITUTION OR VARIANCE MAY COMPROMISE THE STRUCTURE, DESIGN AND PERFORMANCE OF THE PRODUCT. NO WARRANTY IS EXPRESSED OR IMPLIED BY THIS DRAWING AND PLY GEM FENCE & RAIL.

P406

Sheet 1 of 2
11-12-18

70" H x 73 1/2" W Classic Privacy

with 2 x 7 Rail & 7/8 x 11 1/4 T&G Picket



****Aluminum insert required on Khaki and all Woodland Select colors.**

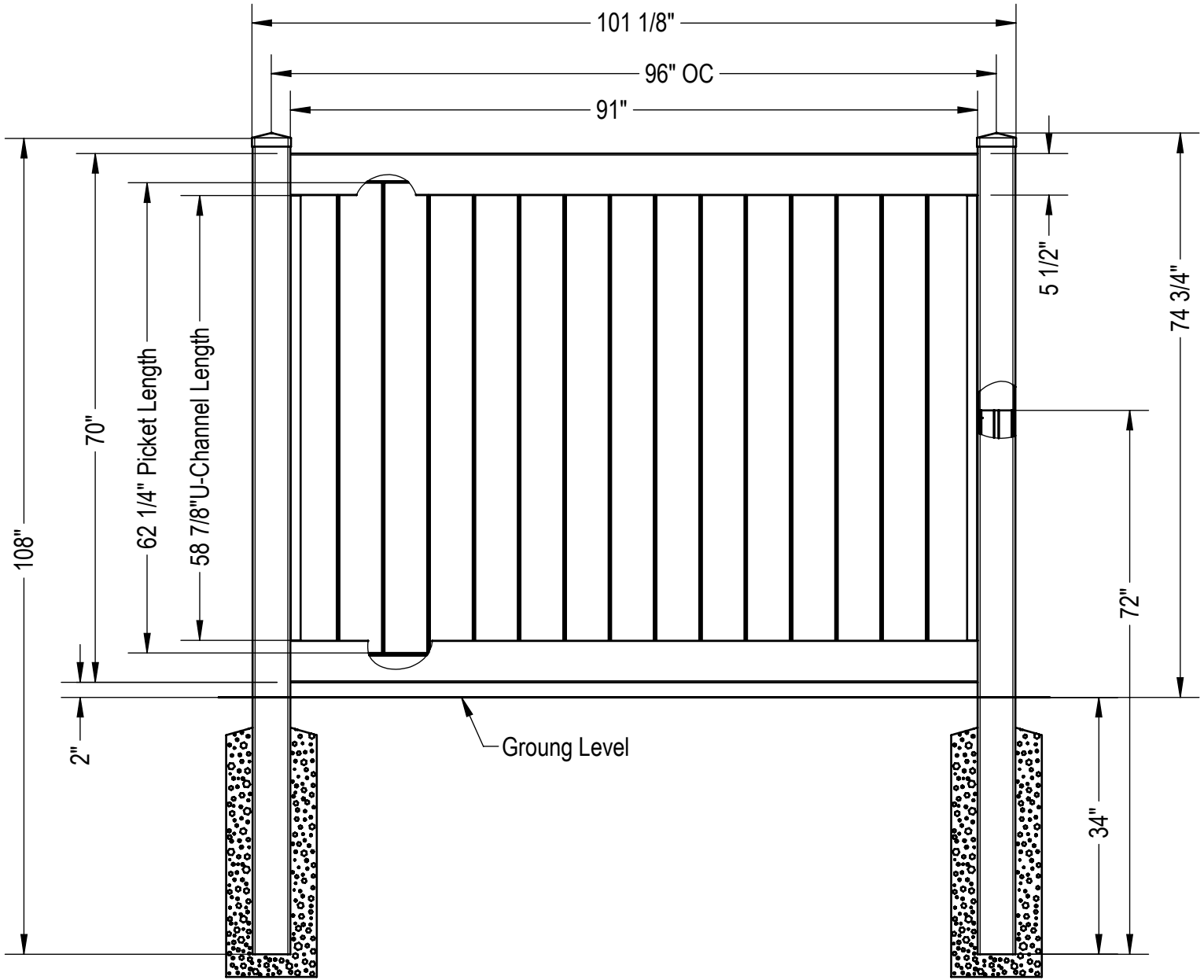
THIS DRAWING WAS MADE AND INTENDED FOR USE AS A GUIDE ONLY. ANY PRODUCT SUBSTITUTION OR VARIANCE MAY COMPROMISE THE STRUCTURE, DESIGN AND PERFORMANCE OF THE PRODUCT. NO WARRANTY IS EXPRESSED OR IMPLIED BY THIS DRAWING AND PLY GEM FENCE & RAIL.

P406

Sheet 2 of 2
11-12-18

70" H x 96" W Classic Privacy

with 1 1/2 x 5 1/2 Rail & 7/8 x 6 T&G Picket



QTY.	Part Number	LENGTH
2	5 x 5 Post	108"
2	5 x 5 Post Tower Insert	72"
2	1 1/2 x 5 1/2 Slotted Rail	94 1/2"
15	7/8 x 6 Picket	62 1/4"
2	7/8 U-Channel	58 7/8"
6	#10 x 3/4" Screw	
2	5 x 5 External Long Cap	
	Insert for Khaki and WS colors	
1	1 1/2 x 5 1/2 Sldt Insert	94 1/2"

REVISION HISTORY	
REV	DATE
1	03/07/18

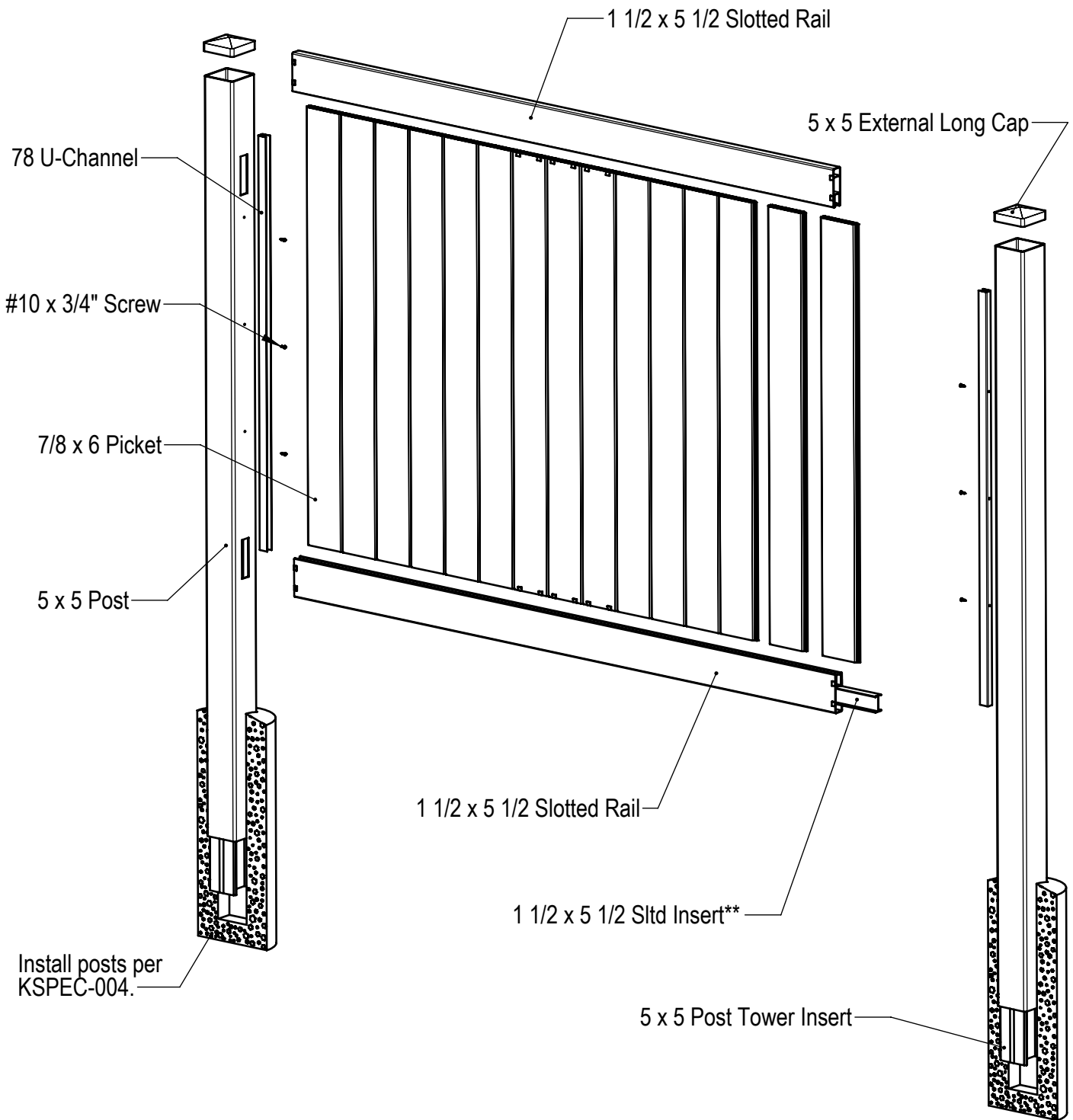
THIS DRAWING WAS MADE AND INTENDED FOR USE AS A GUIDE ONLY. ANY PRODUCT SUBSTITUTION OR VARIANCE MAY COMPROMISE THE STRUCTURE, DESIGN AND PERFORMANCE OF THE PRODUCT. NO WARRANTY IS EXPRESSED OR IMPLIED BY THIS DRAWING AND PLY GEM FENCE & RAIL.

P407

Sheet 1 of 2
11-12-18

70" H x 96" W Classic Privacy

with 1 1/2 x 5 1/2 Rail & 7/8 x 6 T&G Picket



**Aluminum insert required on Khaki and all Woodland Select colors.

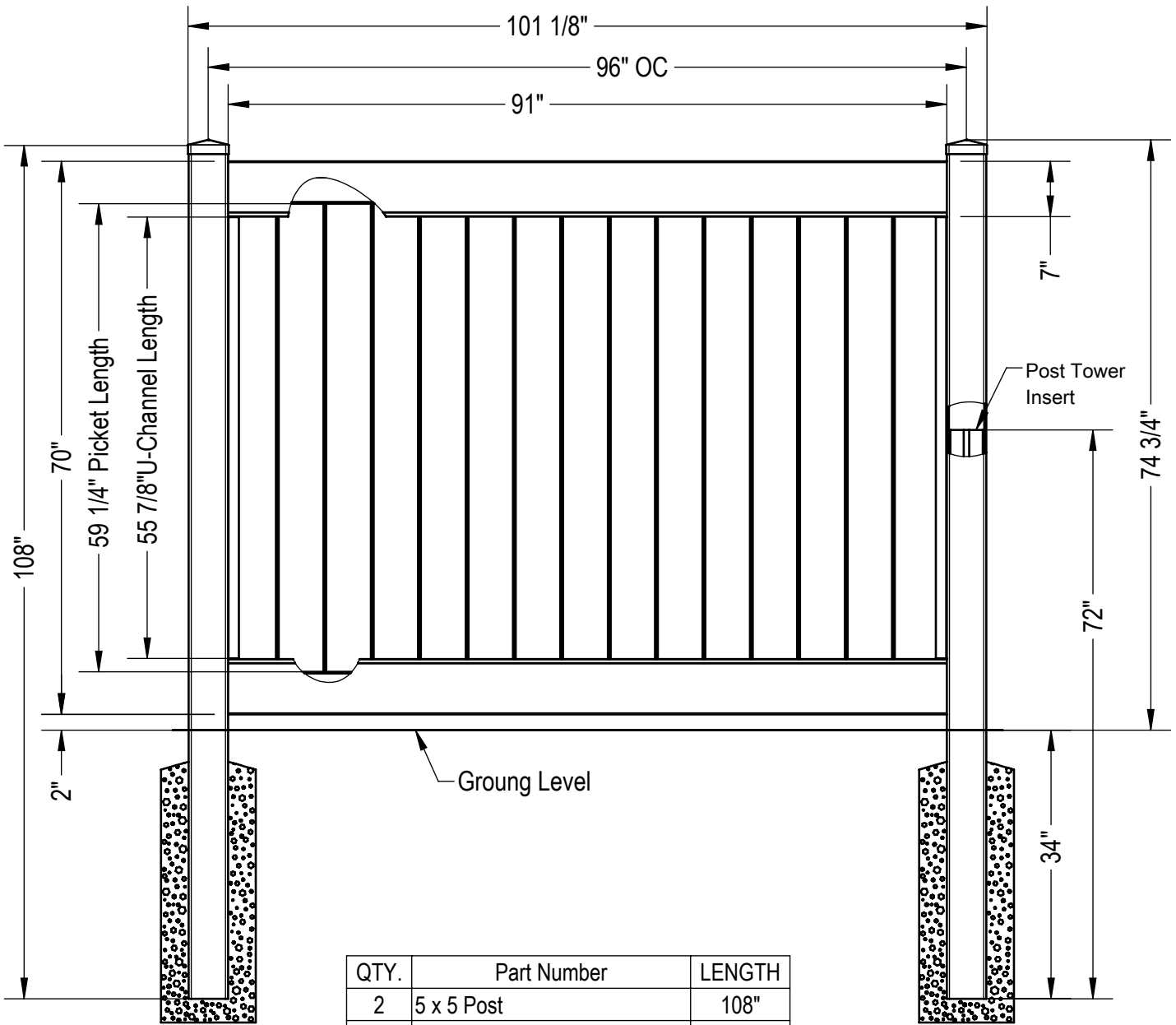
THIS DRAWING WAS MADE AND INTENDED FOR USE AS A GUIDE ONLY. ANY PRODUCT SUBSTITUTION OR VARIANCE MAY COMPROMISE THE STRUCTURE, DESIGN AND PERFORMANCE OF THE PRODUCT. NO WARRANTY IS EXPRESSED OR IMPLIED BY THIS DRAWING AND PLY GEM FENCE & RAIL.

P407

Sheet 2 of 2
11-12-18

70" H x 96" W Classic Privacy

with 2 x 7 Rail & 7/8 x 6 T&G Picket



QTY.	Part Number	LENGTH
2	5 x 5 Post	108"
2	5 x 5 Post Tower Insert	72"
2	2 x 7 Slotted Rail	94 1/2"
15	7/8 x 6 Picket	59 1/4"
2	7/8 U-Channel	55 7/8"
6	#10 x 3/4" Screw	
2	5 x 5 External Long Cap	
	Insert for Khaki and WS colors	
1	2 x 7 H-Channel Insert	94 1/2"

REVISION HISTORY	
REV	DATE
DESCRIPTION	

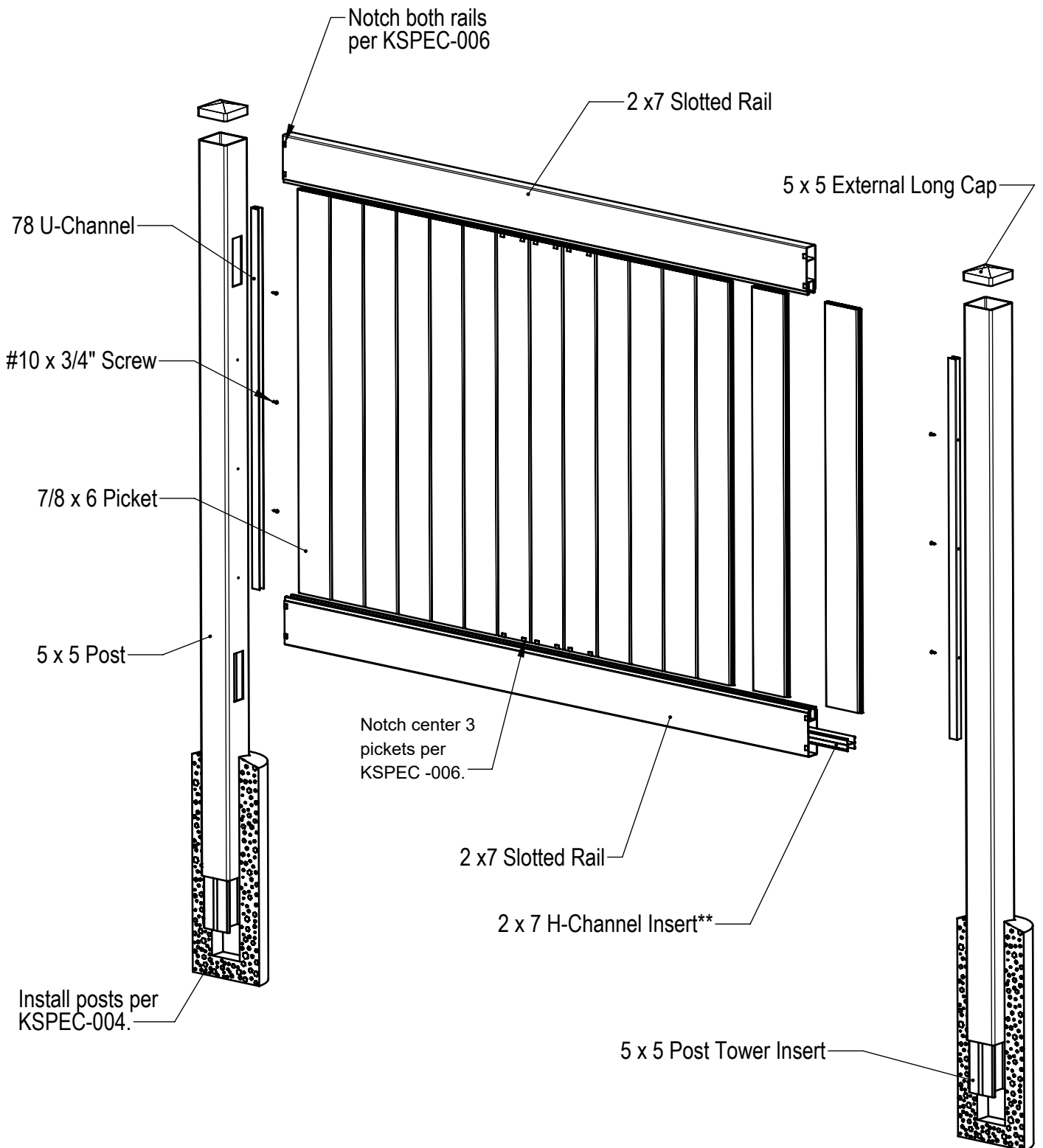
THIS DRAWING WAS MADE AND INTENDED FOR USE AS A GUIDE ONLY. ANY PRODUCT SUBSTITUTION OR VARIANCE MAY COMPROMISE THE STRUCTURE, DESIGN AND PERFORMANCE OF THE PRODUCT. NO WARRANTY IS EXPRESSED OR IMPLIED BY THIS DRAWING AND PLY GEM FENCE & RAIL.

P408

Sheet 1 of 2
11-12-18

70" H x 96" W Classic Privacy

with 2 x 7 Rail & 7/8 x 6 T&G Picket



** Aluminum insert required on Khaki and all Woodland Select colors.

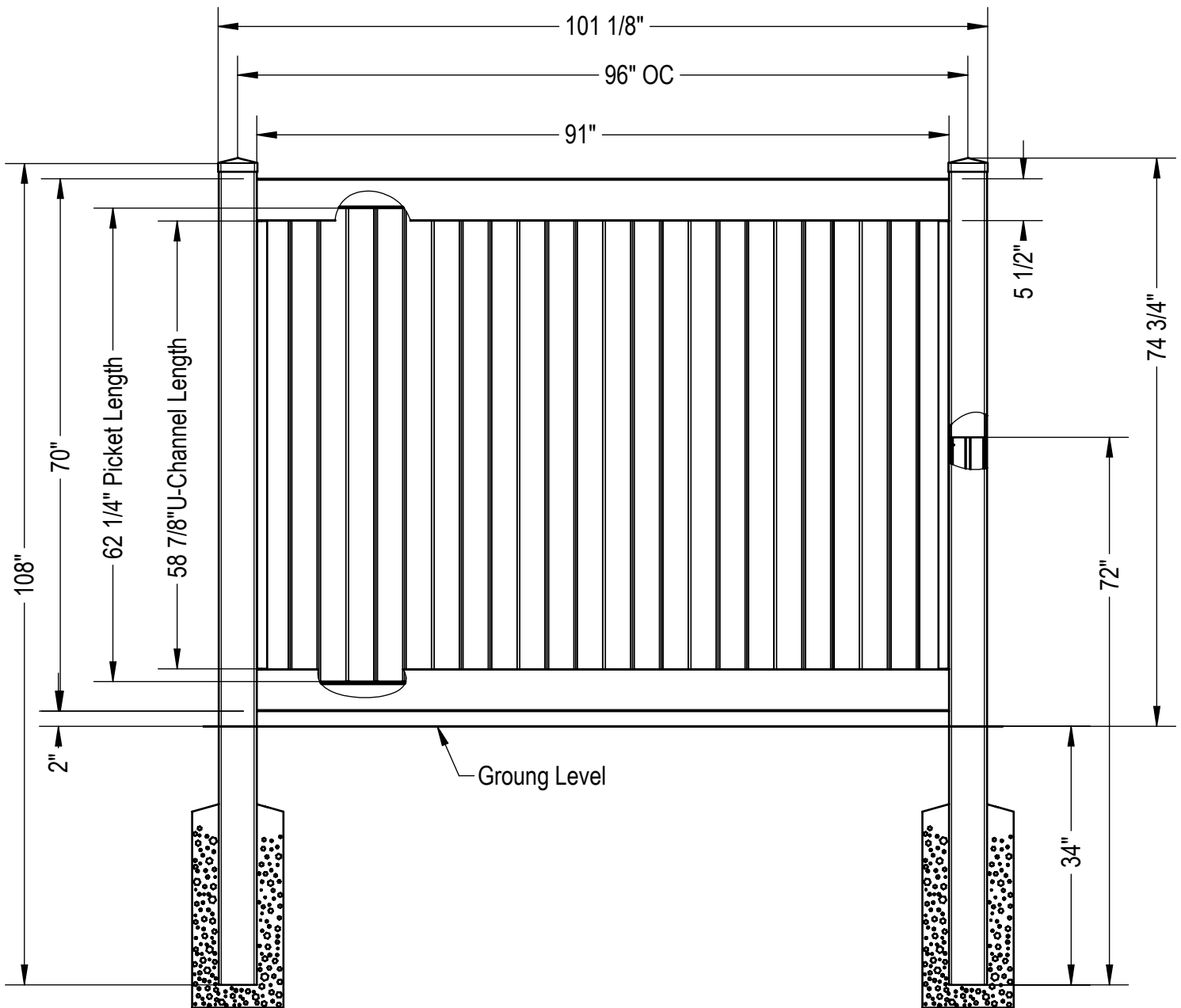
THIS DRAWING WAS MADE AND INTENDED FOR USE AS A GUIDE ONLY. ANY PRODUCT SUBSTITUTION OR VARIANCE MAY COMPROMISE THE STRUCTURE, DESIGN AND PERFORMANCE OF THE PRODUCT. NO WARRANTY IS EXPRESSED OR IMPLIED BY THIS DRAWING AND PLY GEM FENCE & RAIL.

P408

Sheet 2 of 2
11-12-18

70" H x 96" W Classic Privacy

with 1 1/2 x 5 1/2 Rail & 7/8 x 11 1/4 T&G Picket



QTY.	Part Number	LENGTH
2	5 x 5 Post	108"
2	5 x 5 Post Tower Insert	72"
2	1 1/2 x 5 1/2 Slotted Rail	94 1/2"
8	7/8 x 11 1/4" Picket	62 1/4"
2	7/8 U-Channel	58 7/8"
6	#10 x 3/4" Screw	
2	5 x 5 External Long Cap	
	Insert for Khaki and WS colors	
1	1 1/2 x 5 1/2 Sltd Insert	94 1/2"

REVISION HISTORY	
REV	DATE
DESCRIPTION	
Chg post - 48" to 72" to 108" - post tower insert - 22" to 72" to 108" to 1990 (03/01/19)	

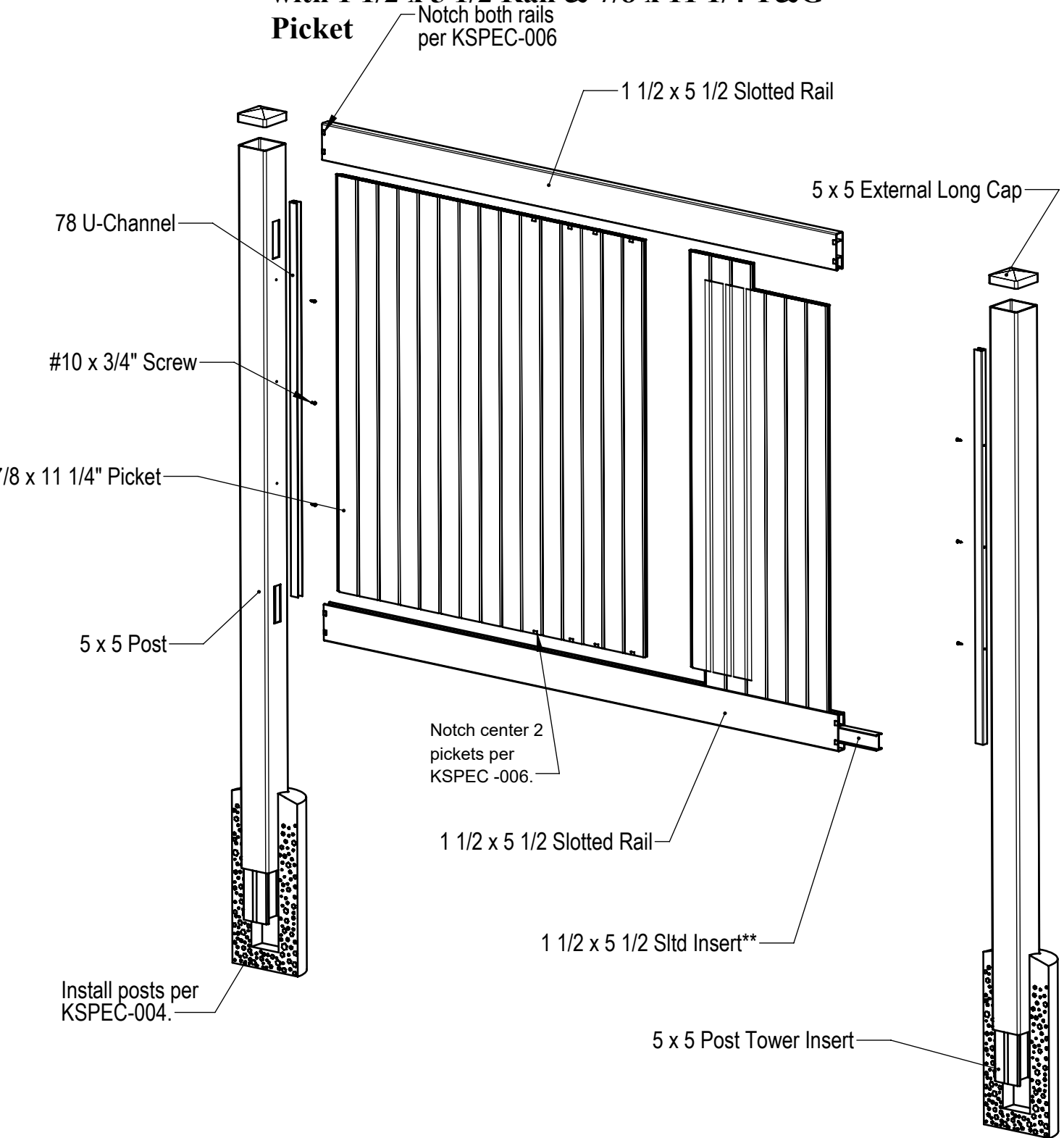
THIS DRAWING WAS MADE AND INTENDED FOR USE AS A GUIDE ONLY. ANY PRODUCT SUBSTITUTION OR VARIANCE MAY COMPROMISE THE STRUCTURE, DESIGN AND PERFORMANCE OF THE PRODUCT. NO WARRANTY IS EXPRESSED OR IMPLIED BY THIS DRAWING AND PLY GEM FENCE & RAIL.

P409

Sheet 1 of 2
07-24-18

70" H x 96" W Classic Privacy

with 1 1/2 x 5 1/2 Rail & 7/8 x 11 1/4 T&G Picket



**Aluminum insert required on Khaki and all Woodland Select colors.

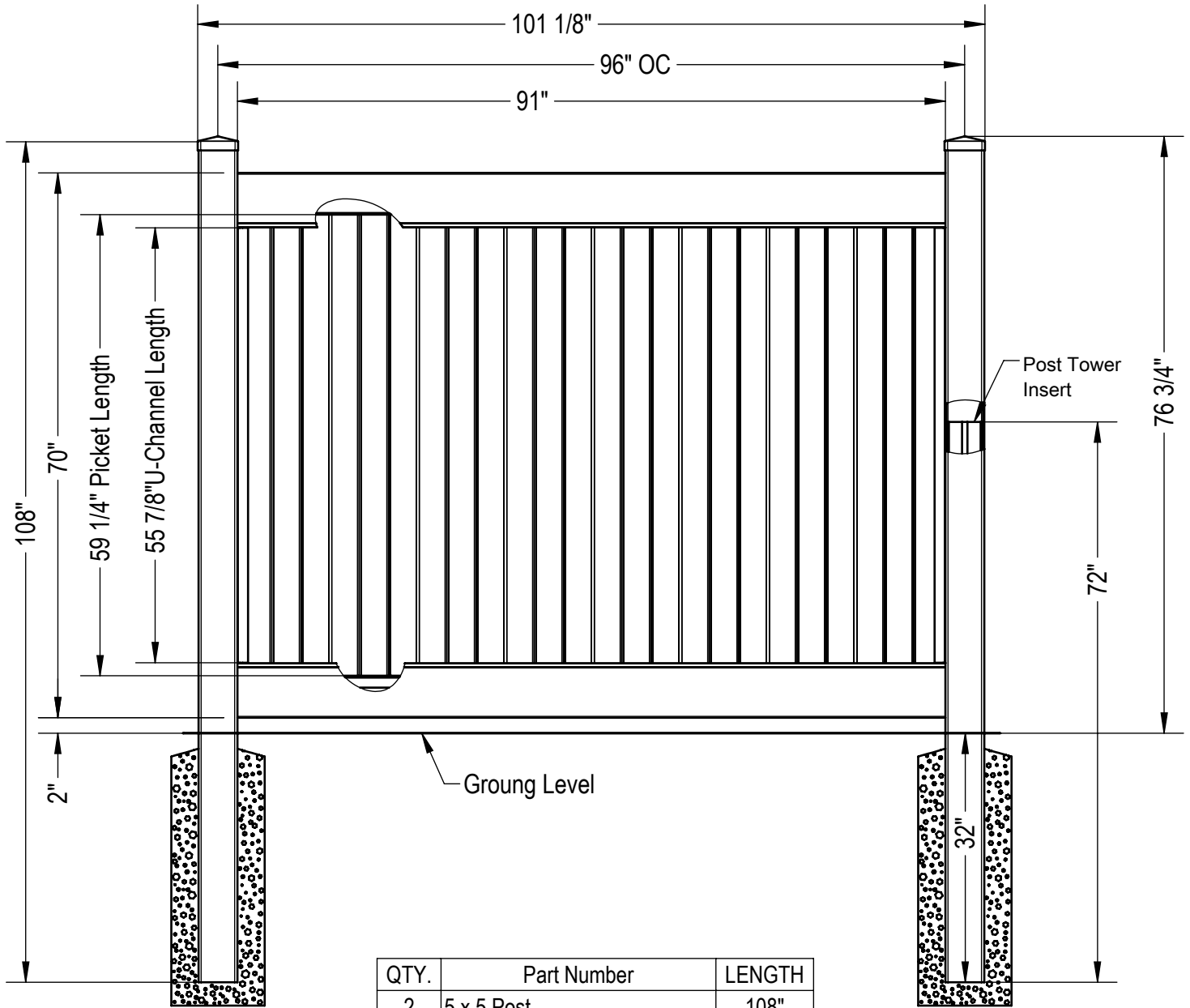
THIS DRAWING WAS MADE AND INTENDED FOR USE AS A GUIDE ONLY. ANY PRODUCT SUBSTITUTION OR VARIANCE MAY COMPROMISE THE STRUCTURE, DESIGN AND PERFORMANCE OF THE PRODUCT. NO WARRANTY IS EXPRESSED OR IMPLIED BY THIS DRAWING AND PLY GEM FENCE & RAIL.

P409

Sheet 2 of 2
07-24-18

70" H x 96" W Classic Privacy

with 2 x 7 Rail & 7/8 x 11 1/4 T&G Picket



QTY.	Part Number	LENGTH
2	5 x 5 Post	108"
2	5 x 5 Post Tower Insert	72"
8	7/8 x 11 1/4" Picket	59 1/4"
2	2 x 7 Slotted Rail	94 1/2"
2	7/8 U-Channel	55 7/8"
6	#10 x 3/4" Screw	
2	5 x 5 External Long Cap	
	Insert for Khaki and WS colors	
1	2 x 7 H-Channel Insert	94 1/2"

REVISION HISTORY	
REV	DATE
DESCRIPTION	
Original (02' to 108" - 108" - post insert 64" to 72" - ASTM F1981) (07/24/18)	

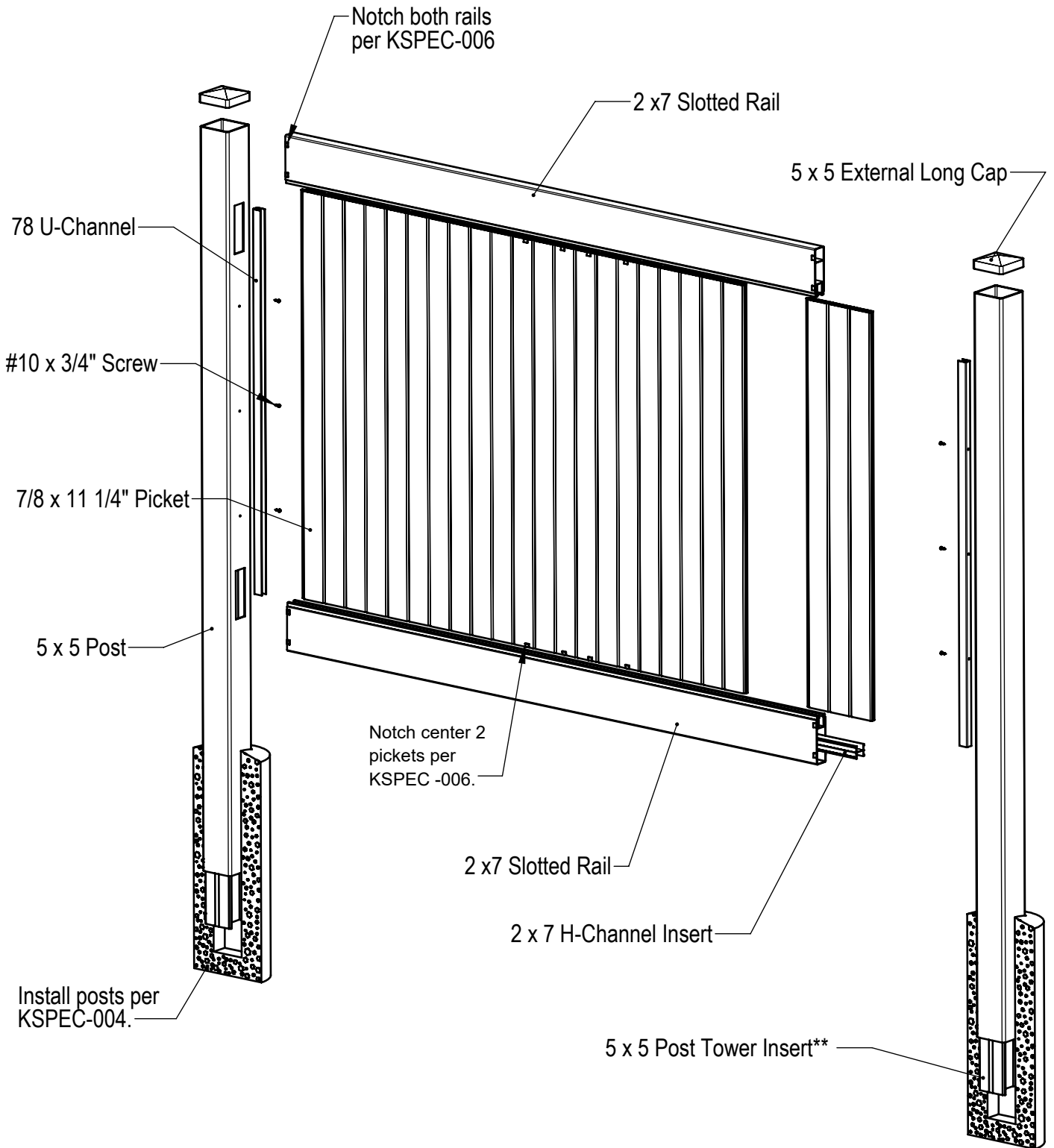
THIS DRAWING WAS MADE AND INTENDED FOR USE AS A GUIDE ONLY. ANY PRODUCT SUBSTITUTION OR VARIANCE MAY COMPROMISE THE STRUCTURE, DESIGN AND PERFORMANCE OF THE PRODUCT. NO WARRANTY IS EXPRESSED OR IMPLIED BY THIS DRAWING AND PLY GEM FENCE & RAIL.

P410

Sheet 1 of 2
11-12-18

70" H x 96" W Classic Privacy

with 2 x 7 Rail & 7/8 x 11 1/4 T&G Picket



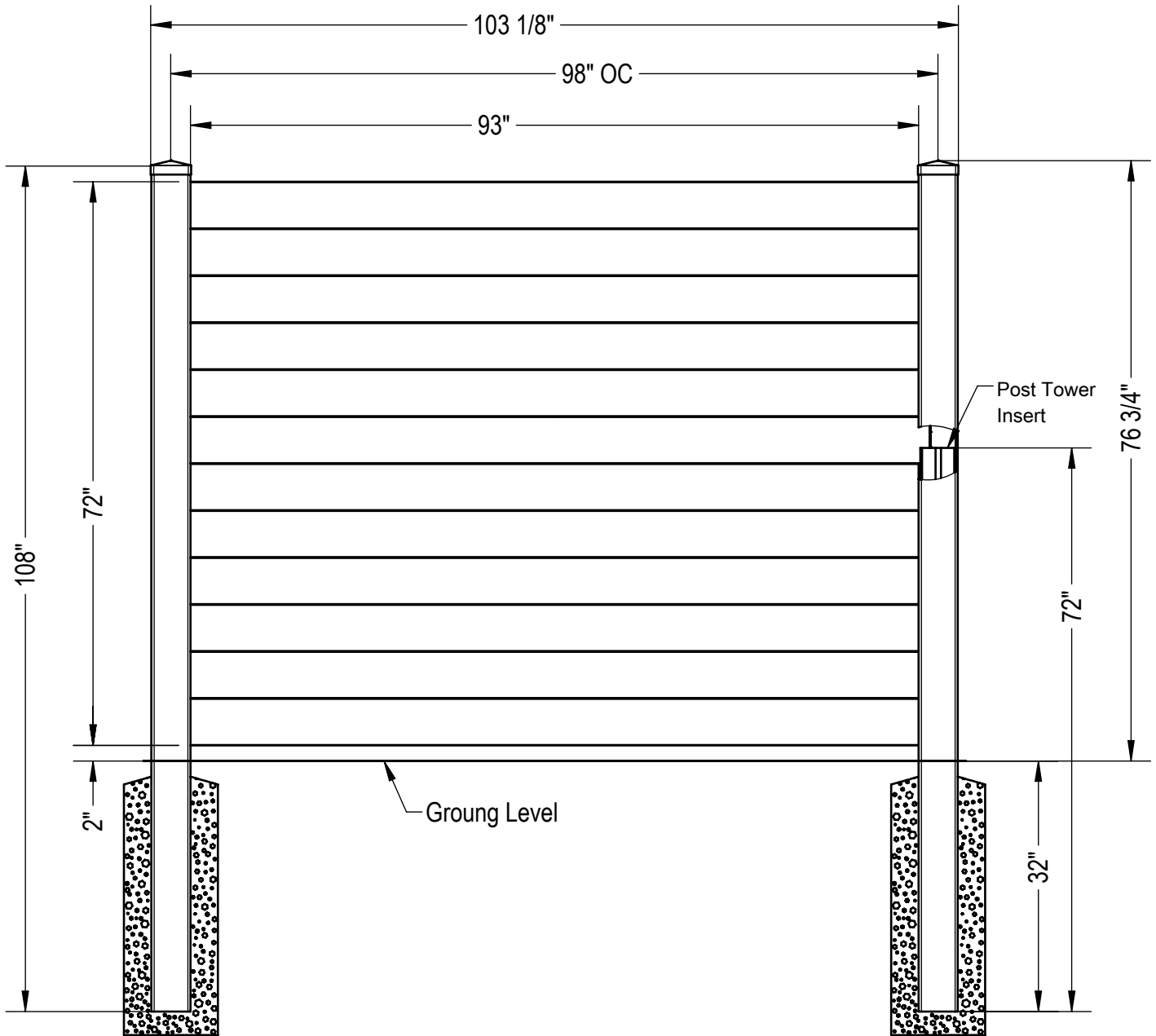
** Aluminum insert required on Khaki and all Woodland Select colors.

THIS DRAWING WAS MADE AND INTENDED FOR USE AS A GUIDE ONLY. ANY PRODUCT SUBSTITUTION OR VARIANCE MAY COMPROMISE THE STRUCTURE, DESIGN AND PERFORMANCE OF THE PRODUCT. NO WARRANTY IS EXPRESSED OR IMPLIED BY THIS DRAWING AND PLY GEM FENCE & RAIL.

P410

Sheet 2 of 2
11-12-18

72" H x 98" W Basket Weave with 7/8 x 6 Plank Pickets



QTY.	PART NUMBER	LENGTH
2	5 x 5 Post	108"
2	5 x 5 Post Tower Insert	72"
12	7/8 x 6 Rib Plank	96"
2	5 x 5 External Long Cap	

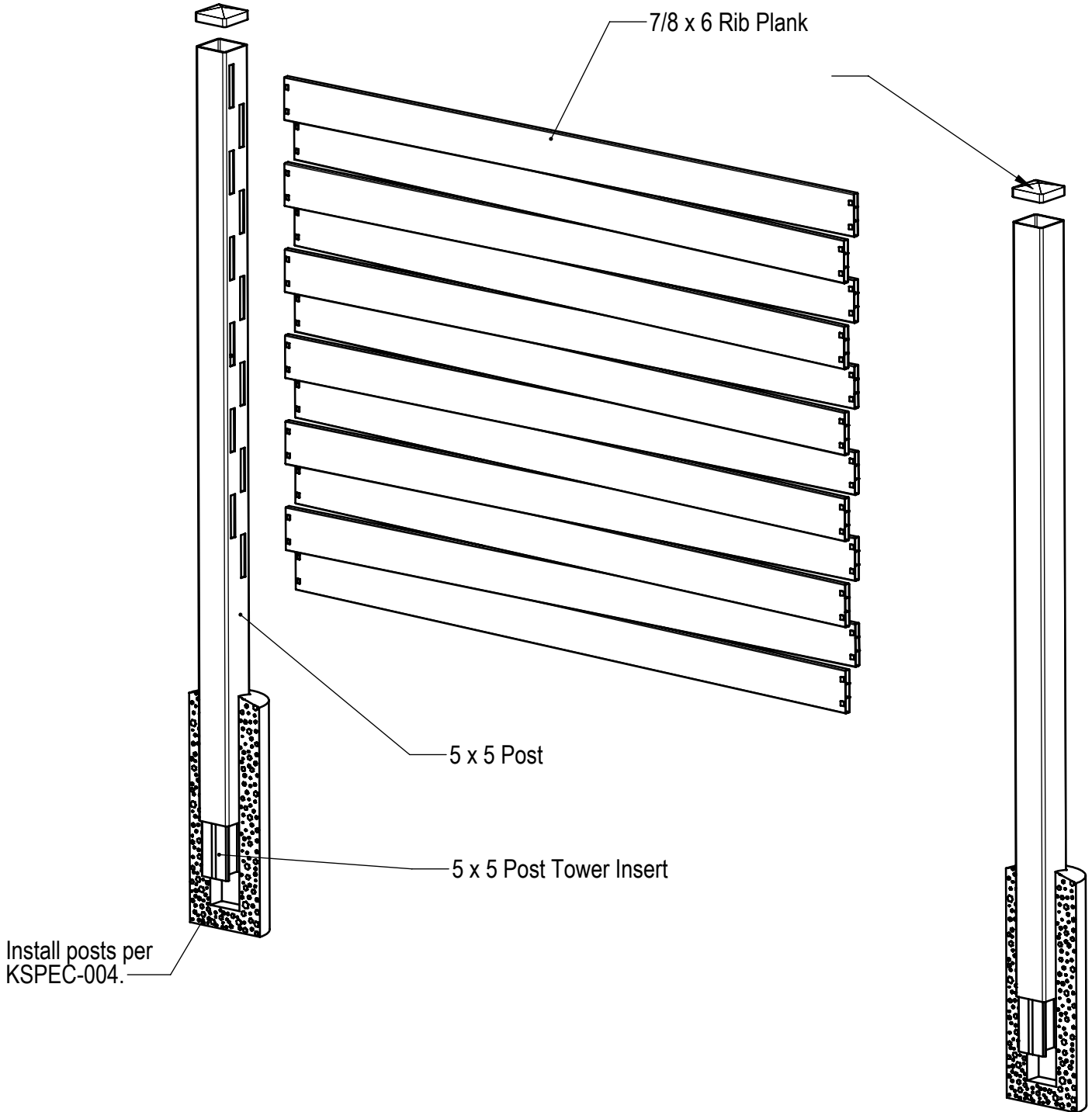
REVISION HISTORY	
REV.	DATE
1	03/05/19
DESCRIPTION	
[Original 102" to 108" - post insert 64" to 72" - ASTM F1981]	

THIS DRAWING WAS MADE AND INTENDED FOR USE AS A GUIDE ONLY. ANY PRODUCT SUBSTITUTION OR VARIANCE MAY COMPROMISE THE STRUCTURE, DESIGN AND PERFORMANCE OF THE PRODUCT. NO WARRANTY IS EXPRESSED OR IMPLIED BY THIS DRAWING AND PLY GEM FENCE & RAIL.

P411

Sheet 1 of 2
08-03-18

72" H x 98" W Basket Weave with 7/8 x 6 Plank Pickets



THIS DRAWING WAS MADE AND INTENDED FOR USE AS A GUIDE ONLY. ANY PRODUCT SUBSTITUTION OR VARIANCE MAY COMPROMISE THE STRUCTURE, DESIGN AND PERFORMANCE OF THE PRODUCT. NO WARRANTY IS EXPRESSED OR IMPLIED BY THIS DRAWING AND PLY GEM FENCE & RAIL.

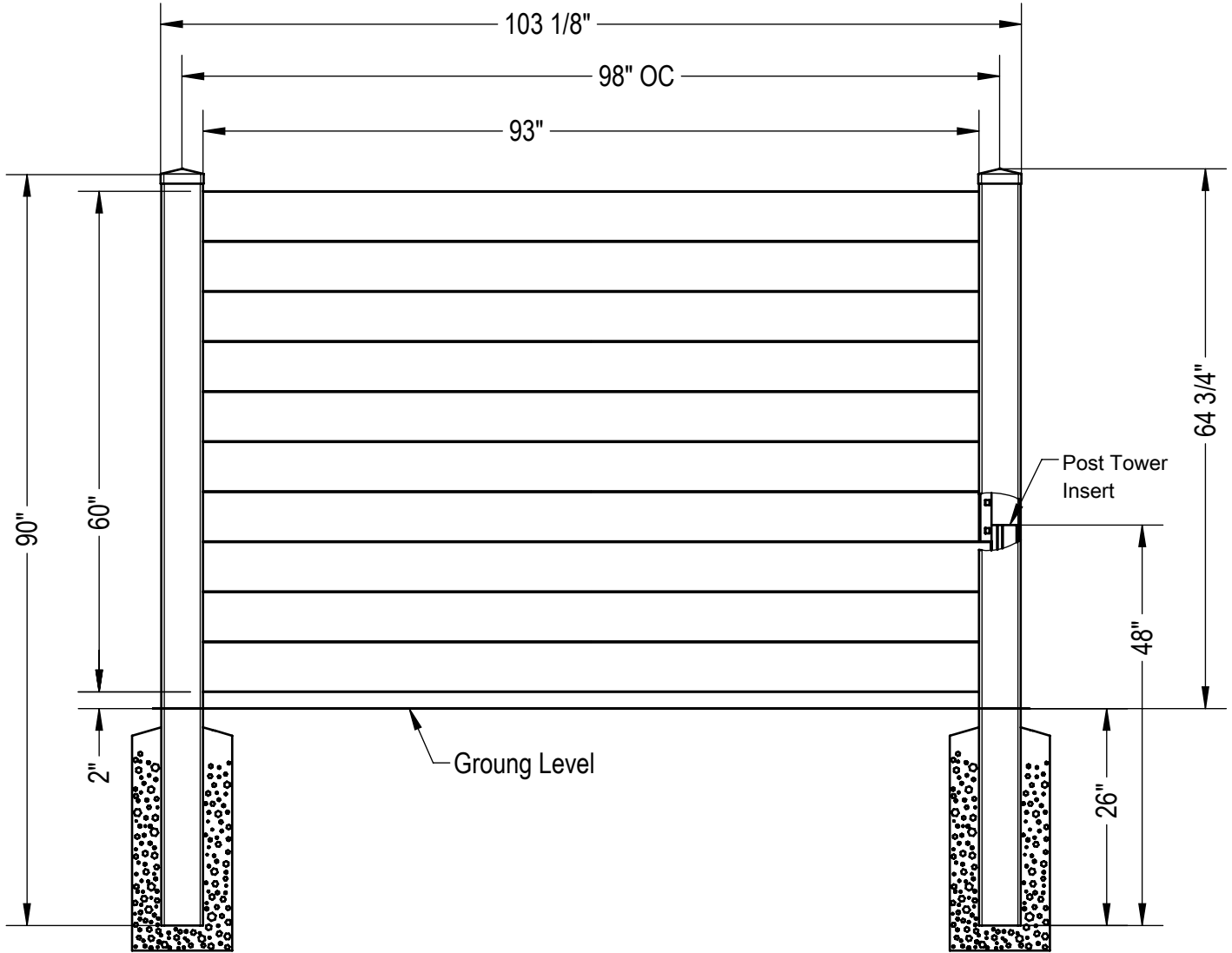
DRAWINGS ARE CONFIDENTIAL AND ARE THE PROPERTY OF PLY GEM FENCE & RAILING © MAR 2019.

P411

Sheet 2 of 2
08-03-18

with 7/8 x 6 Plank Pickets

with 7/8 x 6 Plank Pickets



QTY.	PART NUMBER	LENGTH
2	5 x 5 Post	90"
2	5 x 5 Post Tower Insert	48"
10	7/8 x 6 Rib Plank	96"
2	5 x 5 External Long Cap	

REVISION HISTORY	
REV.	DATE
1	03/05/19
DESCRIPTION	
Orig post 1021 to 1081 - post insert 64" to 72" - ASTM F1981	

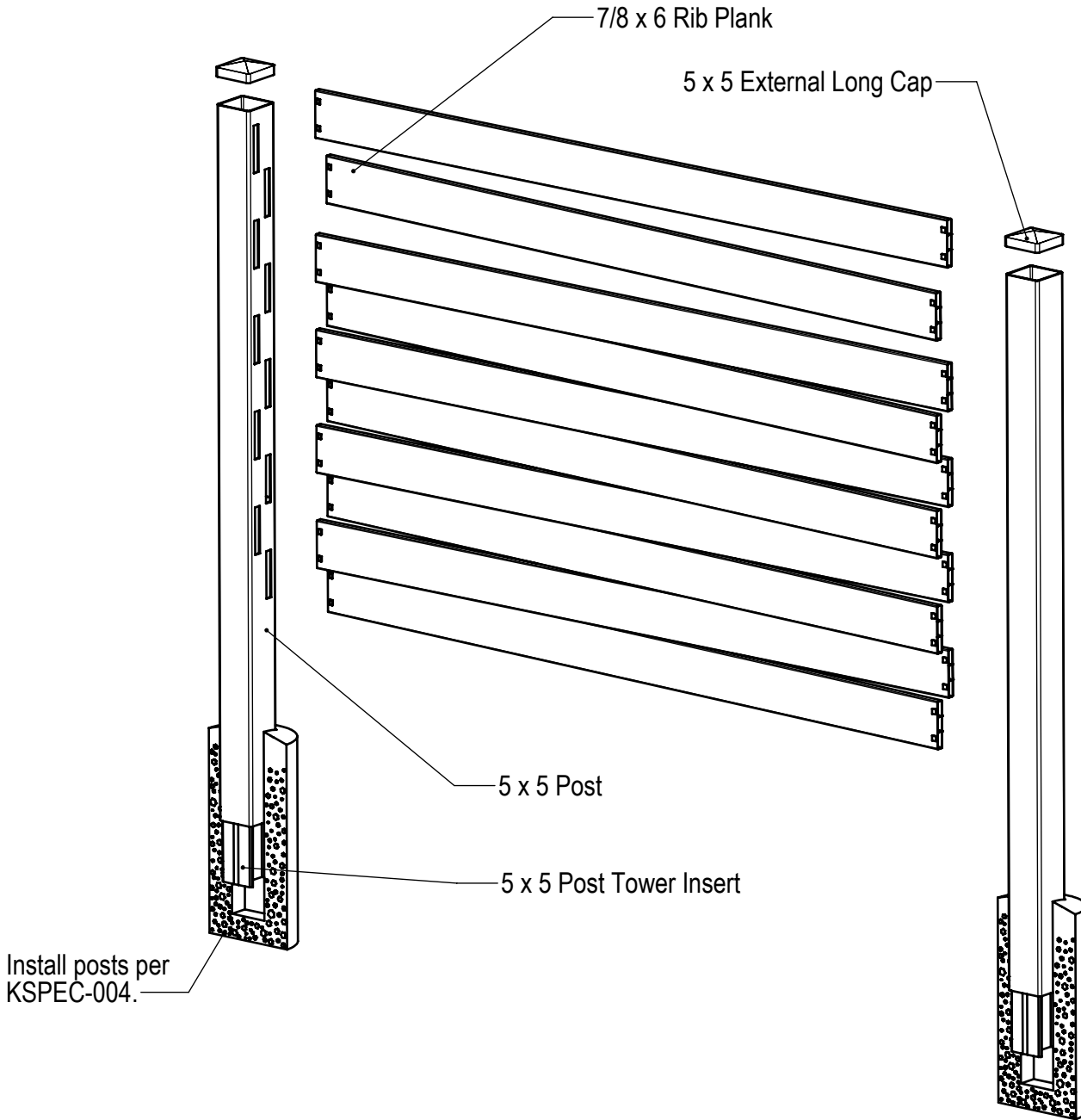
THIS DRAWING WAS MADE AND INTENDED FOR USE AS A GUIDE ONLY. ANY PRODUCT SUBSTITUTION OR VARIANCE MAY COMPROMISE THE STRUCTURE, DESIGN AND PERFORMANCE OF THE PRODUCT. NO WARRANTY IS EXPRESSED OR IMPLIED BY THIS DRAWING AND PLY GEM FENCE & RAIL.

P412

Sheet 1 of 2
08-07-18

with 7/8 x 6 Plank Pickets

with 7/8 x 6 Plank Pickets

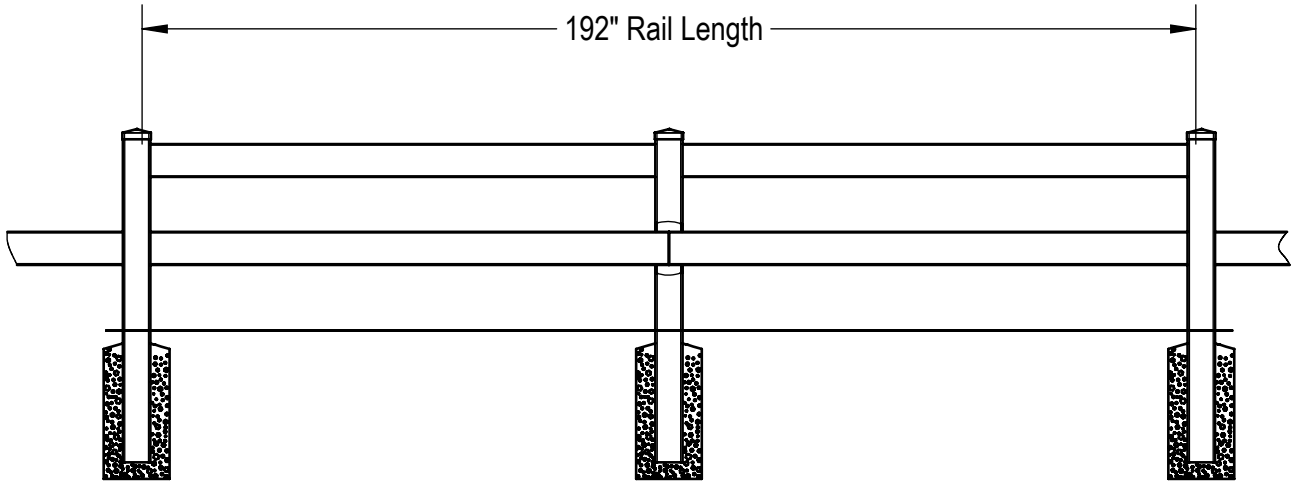


** Aluminum insert required on Khaki and all Woodland Select colors.

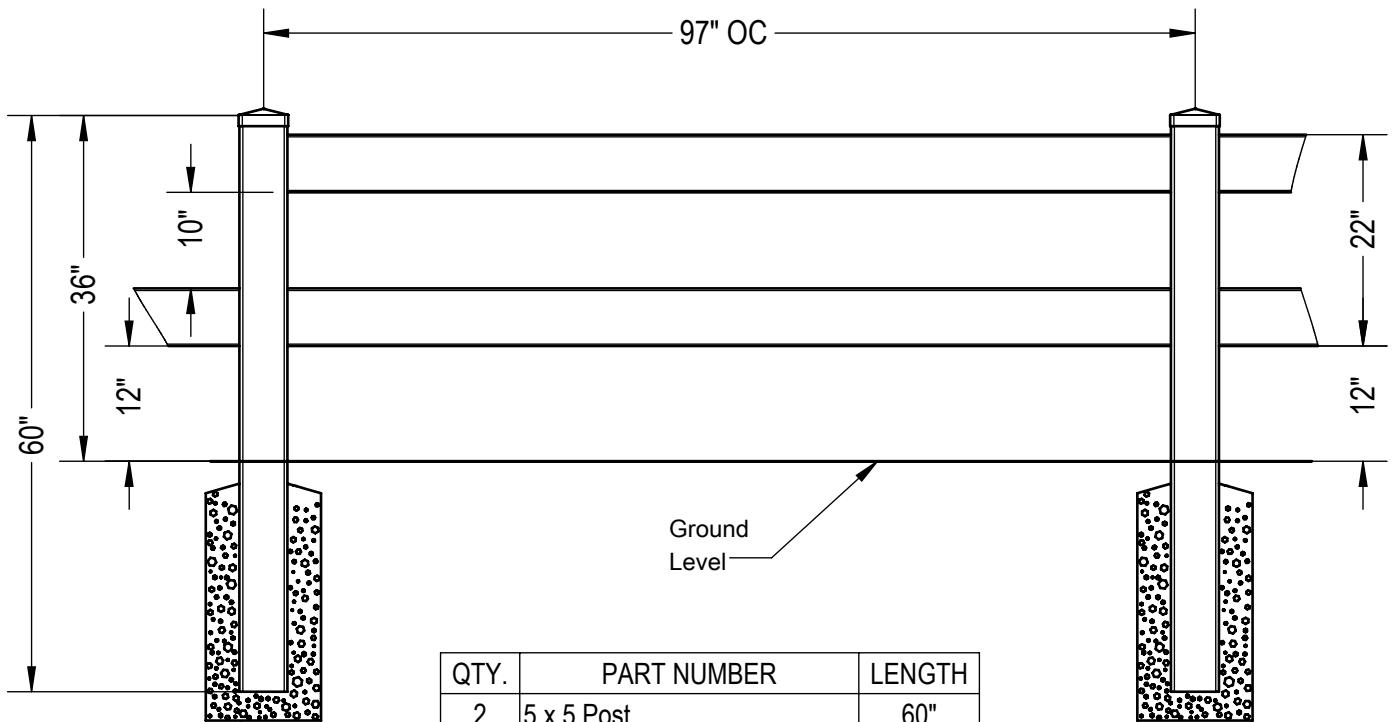
THIS DRAWING WAS MADE AND INTENDED FOR USE AS A GUIDE ONLY. ANY PRODUCT SUBSTITUTION OR VARIANCE MAY COMPROMISE THE STRUCTURE, DESIGN AND PERFORMANCE OF THE PRODUCT. NO WARRANTY IS EXPRESSED OR IMPLIED BY THIS DRAWING AND PLY GEM FENCE & RAIL.

36" H x 97" W Ranch Rail

with 2 x 6 Ribbed/Open Rail



NOTE: STAGGER JOINTS OF RAILS IN EVERY OTHER POST



QTY.	PART NUMBER	LENGTH
2	5 x 5 Post	60"
2	7/8 x 6 Rib Plank	192"
2	5 x 5 External Long Cap	

Install Fence Posts per KSPEC-004

2 x 6 Open Rail can be used in place of ribbed

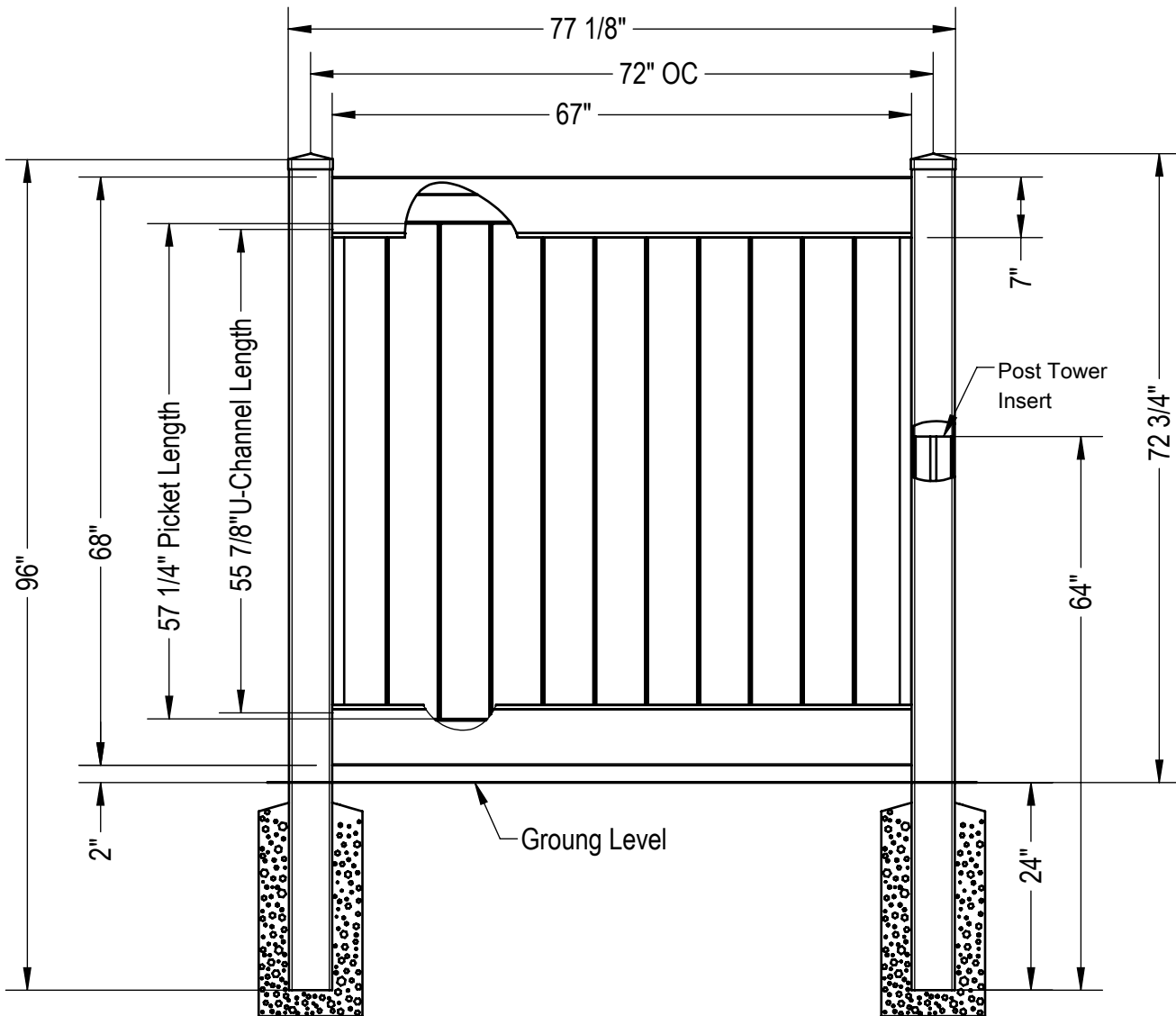
THIS DRAWING WAS MADE AND INTENDED FOR USE AS A GUIDE ONLY. ANY PRODUCT SUBSTITUTION OR VARIANCE MAY COMPROMISE THE STRUCTURE, DESIGN AND PERFORMANCE OF THE PRODUCT. NO WARRANTY IS EXPRESSED OR IMPLIED BY THIS DRAWING AND PLY GEM FENCE & RAIL.

P413

Sheet 1 of 1
08-07-18

68" H x 72" W Classic Privacy

with 2 x 7 Rail & 7/8 x 6 T&G Picket



QTY.	Part Number	LENGTH
2	5 x 5 Post RW	96"
2	5 x 5 Post Tower Insert	64"
2	2 x 7 Slotted Rail	70 1/2"
11	7/8 x 6 Picket	57 1/4"
2	7/8 U-Channel	55 7/8"
6	#10 x 3/4" Screw	
2	5 x 5 External Long Cap	
	Insert for Khaki and WS colors	
1	2 x 7 H-Channel Insert	70 1/2"

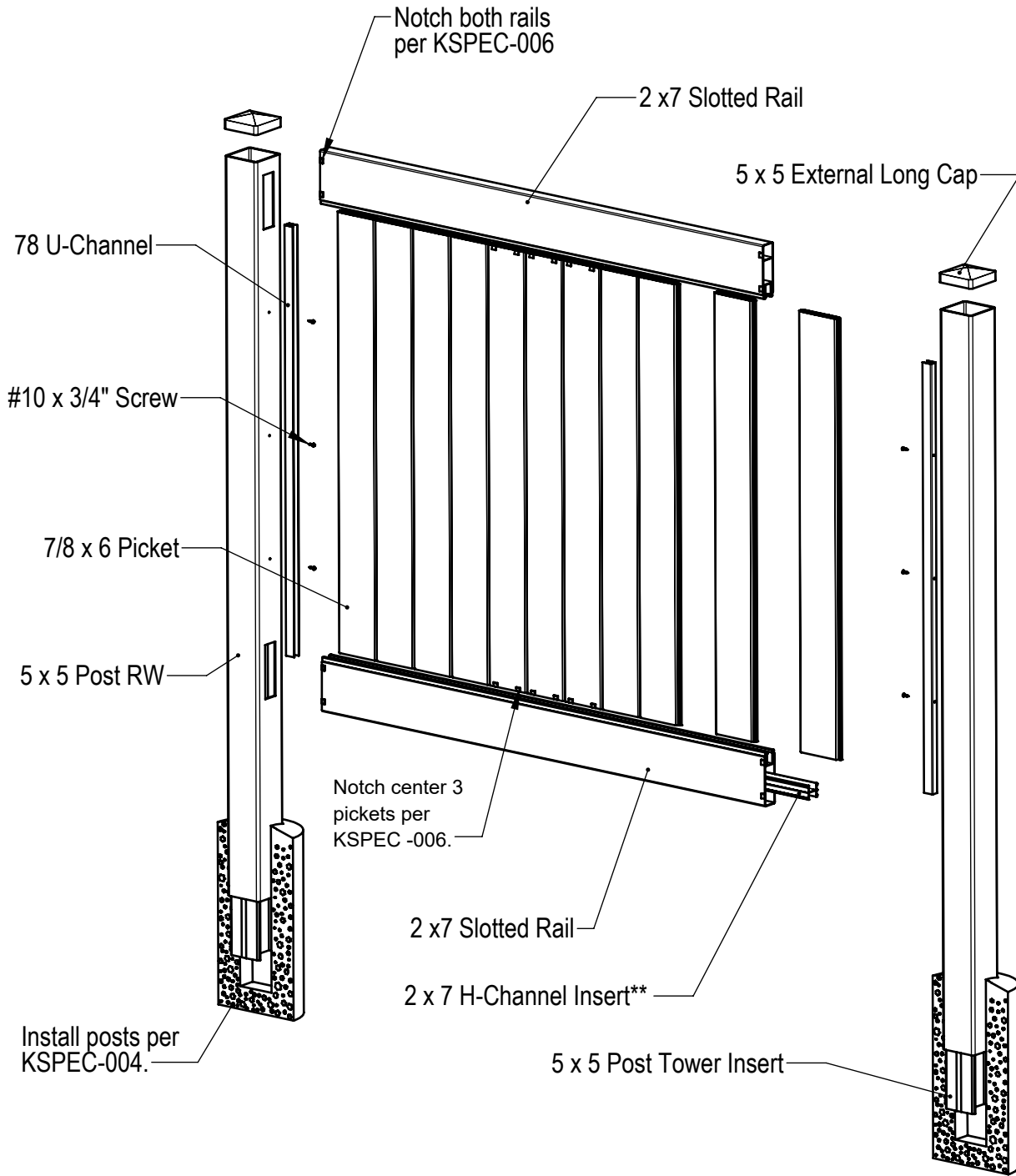
THIS DRAWING WAS MADE AND INTENDED FOR USE AS A GUIDE ONLY. ANY PRODUCT SUBSTITUTION OR VARIANCE MAY COMPROMISE THE STRUCTURE, DESIGN AND PERFORMANCE OF THE PRODUCT. NO WARRANTY IS EXPRESSED OR IMPLIED BY THIS DRAWING AND PLY GEM FENCE & RAIL.

P414

Sheet 1 of 2
11-15-18

68" H x 72" W Classic Privacy

with 2 x 7 Rail & 7/8 x 6 T&G Picket



**Aluminum insert required on Khaki and all Woodland Select colors.

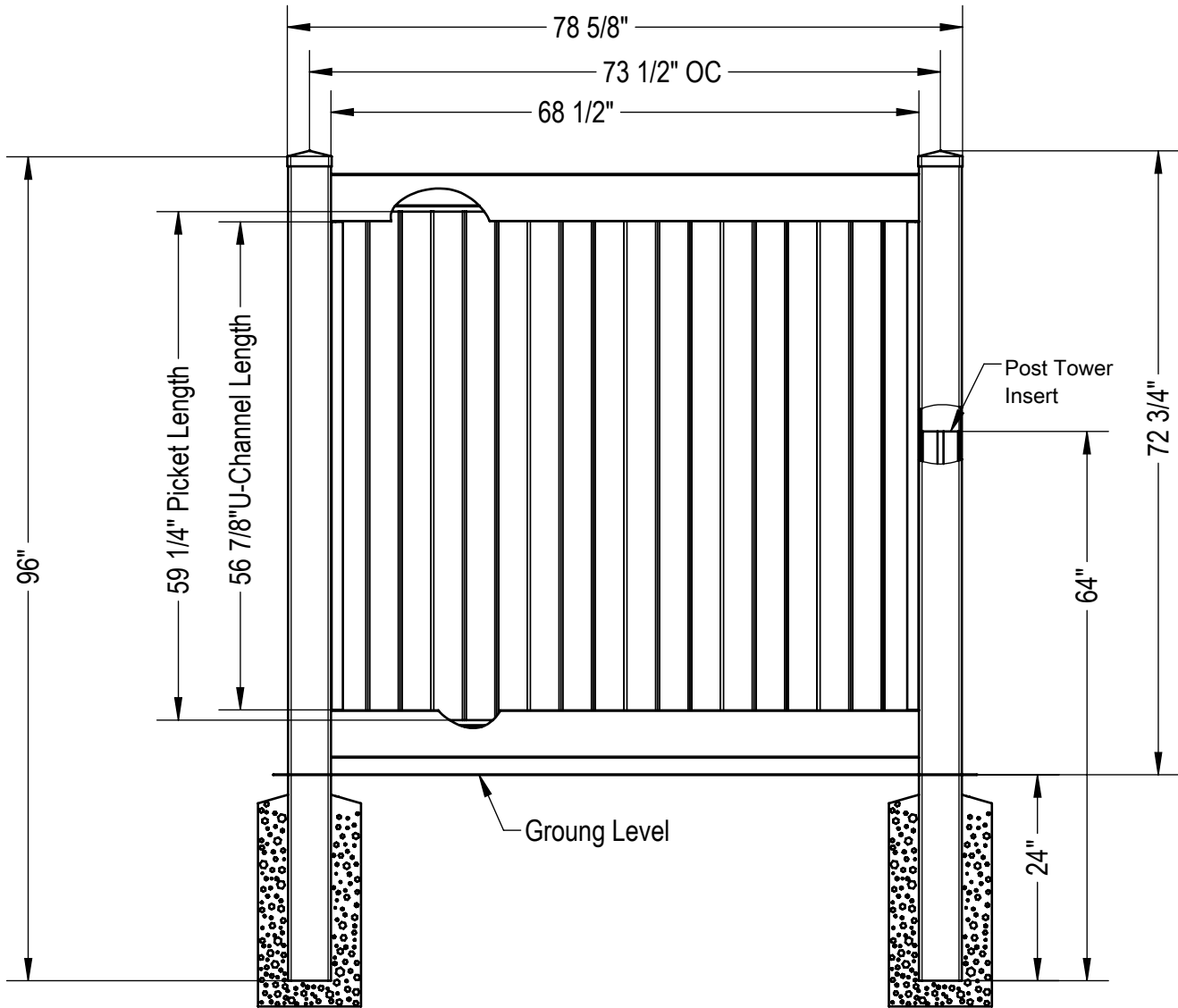
THIS DRAWING WAS MADE AND INTENDED FOR USE AS A GUIDE ONLY. ANY PRODUCT SUBSTITUTION OR VARIANCE MAY COMPROMISE THE STRUCTURE, DESIGN AND PERFORMANCE OF THE PRODUCT. NO WARRANTY IS EXPRESSED OR IMPLIED BY THIS DRAWING AND PLY GEM FENCE & RAIL.

P414

Sheet 2 of 2
11-15-18

68" H x 73 1/2" W Classic Privacy

with 1 1/2 x 5 1/2 Rails & 7/8 x 11 1/4 T&G Pickets



QTY.	Part Number	LENGTH
2	5 x 5 Post RW	96"
2	5 x 5 Post Tower Insert	64"
6	7/8 x 11 1/4" Picket	59 1/4"
2	1 1/2 x 5 1/2 Slotted Rail	70 1/2"
2	7/8 U-Channel	56 7/8"
6	#10 x 3/4" Screw	
2	5 x 5 External Long Cap	
	Insert for Khaki and WS colors	
1	1 1/2 x 5 1/2 Sltd Insert	72"

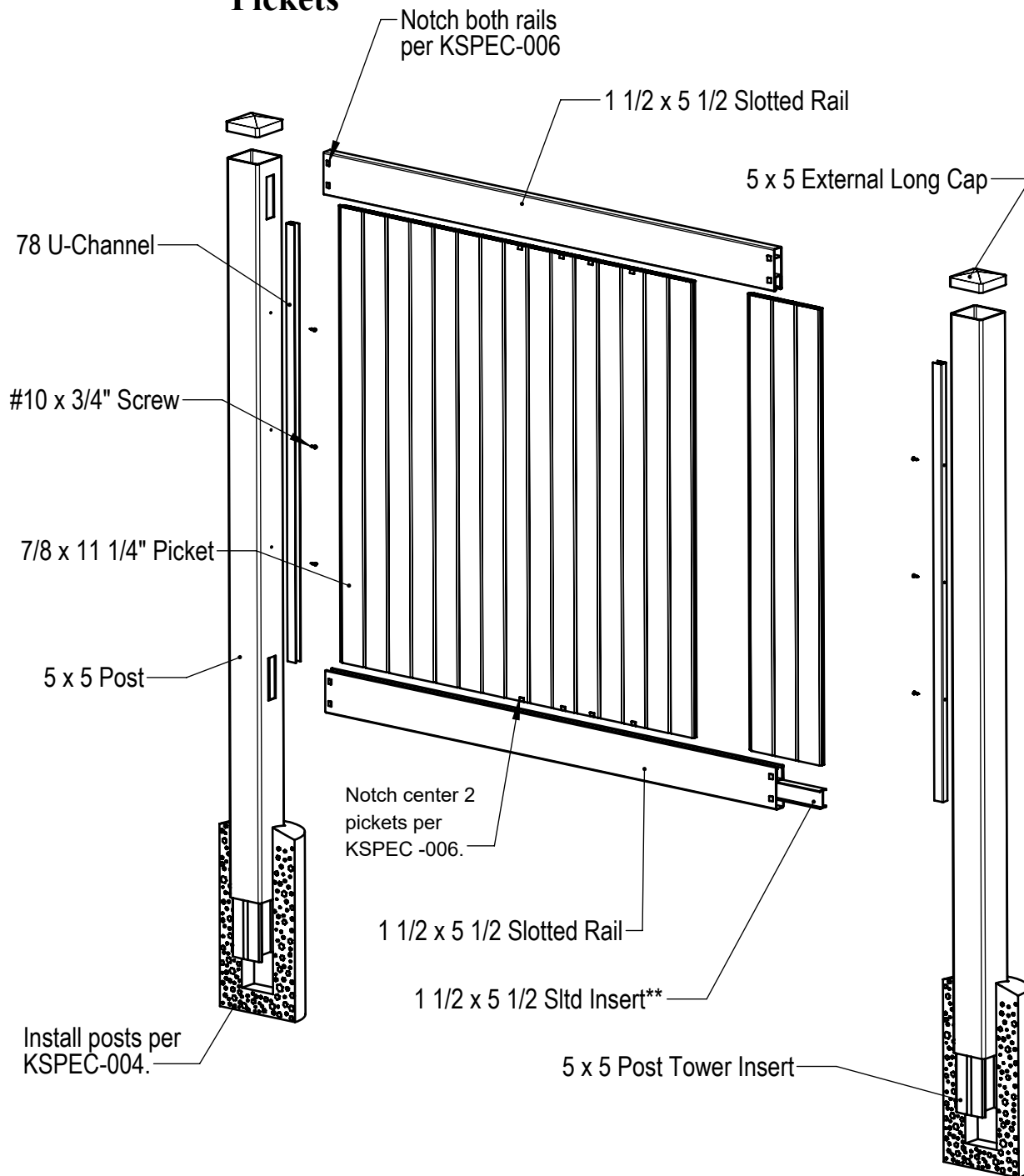
THIS DRAWING WAS MADE AND INTENDED FOR USE AS A GUIDE ONLY. ANY PRODUCT SUBSTITUTION OR VARIANCE MAY COMPROMISE THE STRUCTURE, DESIGN AND PERFORMANCE OF THE PRODUCT. NO WARRANTY IS EXPRESSED OR IMPLIED BY THIS DRAWING AND PLY GEM FENCE & RAIL.

P415

Sheet 1 of 2
11-15-18

68" H x 73 1/2" W Classic Privacy

with 1 1/2 x 5 1/2 Rails & 7/8 x 11 1/4 T&G Pickets

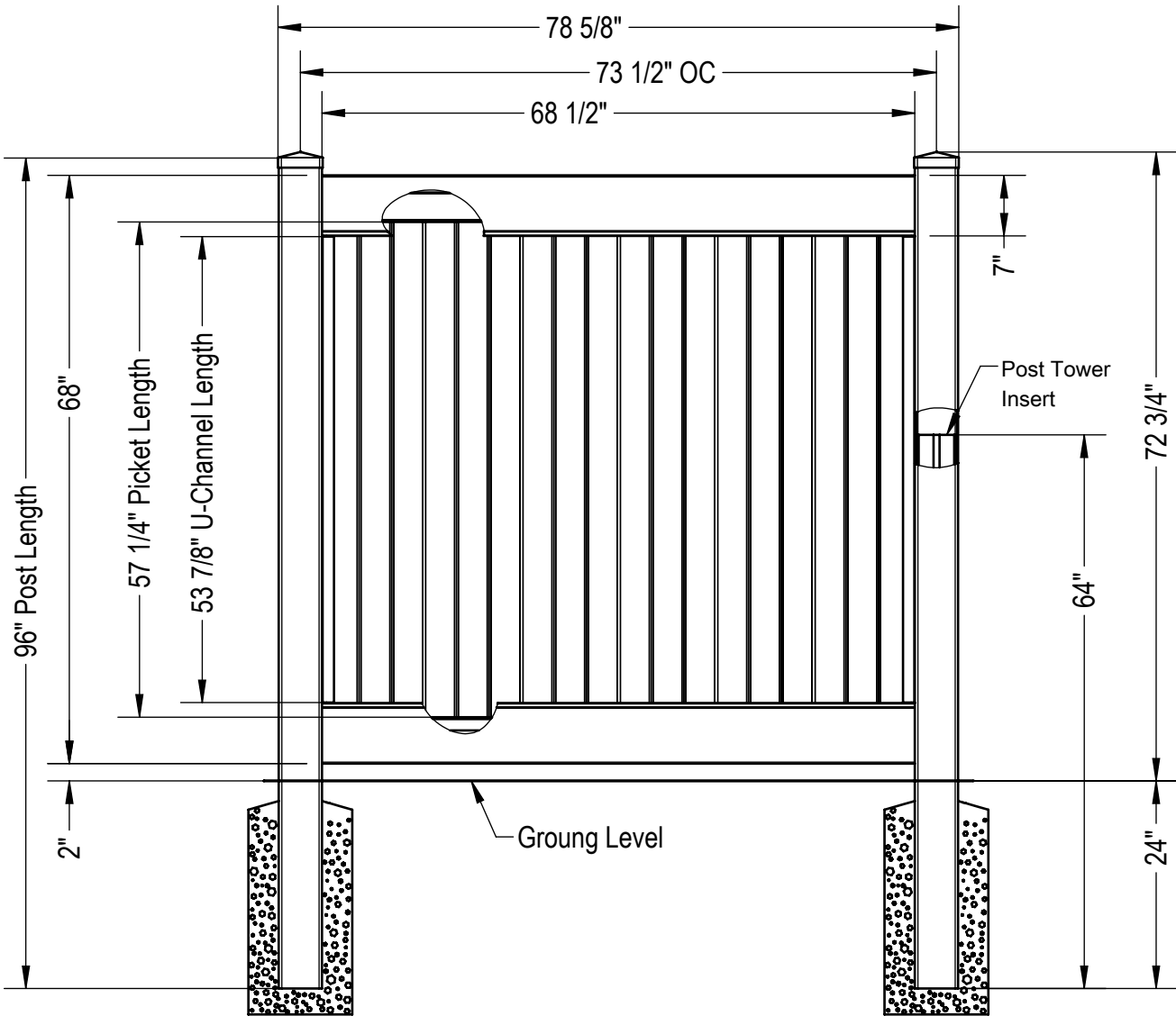


**Aluminum insert required on Khaki and all Woodland Select colors.

THIS DRAWING WAS MADE AND INTENDED FOR USE AS A GUIDE ONLY. ANY PRODUCT SUBSTITUTION OR VARIANCE MAY COMPROMISE THE STRUCTURE, DESIGN AND PERFORMANCE OF THE PRODUCT. NO WARRANTY IS EXPRESSED OR IMPLIED BY THIS DRAWING AND PLY GEM FENCE & RAIL.

68" H x 73 1/2" W Classic Privacy

with 2 x 7 Rail & 7/8 x 11 1/4 T&G Picket



QTY.	Part Number	LENGTH
2	5 x 5 Post RW	96"
2	5 x 5 Post Tower Insert	64"
6	7/8 x 11 1/4" Picket	57 1/4"
2	2 x7 Slotted Rail	72"
2	7/8 U-Channel	53 7/8"
6	#10 x 3/4" Screw	
2	5 x 5 External Long Cap	
	Insert for Khaki and WS colors	
1	2 x 7 H-Channel Insert	72"

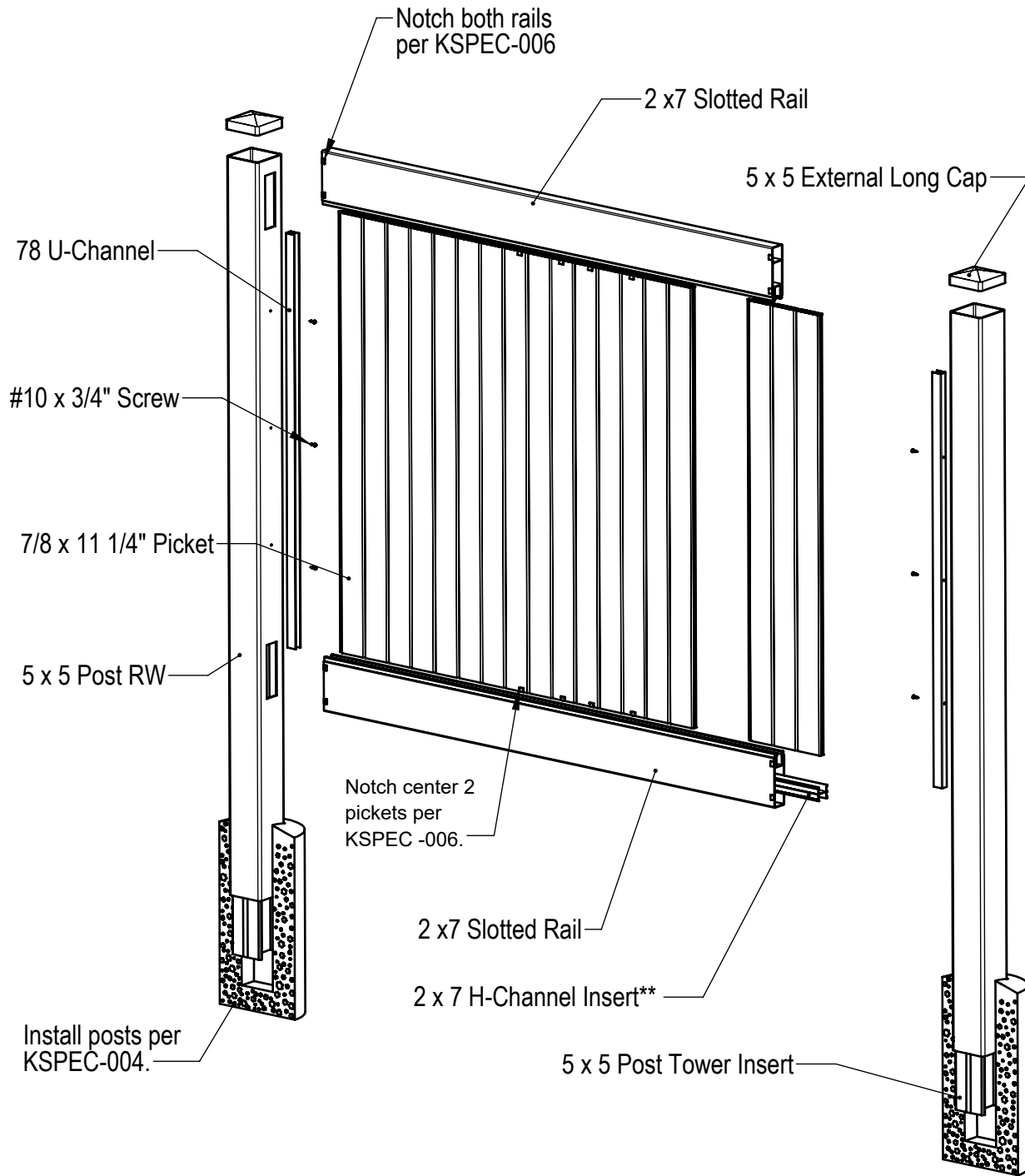
THIS DRAWING WAS MADE AND INTENDED FOR USE AS A GUIDE ONLY. ANY PRODUCT SUBSTITUTION OR VARIANCE MAY COMPROMISE THE STRUCTURE, DESIGN AND PERFORMANCE OF THE PRODUCT. NO WARRANTY IS EXPRESSED OR IMPLIED BY THIS DRAWING AND PLY GEM FENCE & RAIL.

P416

Sheet 1 of 2
11-15-18

68" H x 73 1/2" W Classic Privacy

with 2 x 7 Rail & 7/8 x 11 1/4 T&G Picket



**Aluminum insert required on Khaki and all Woodland Select colors.

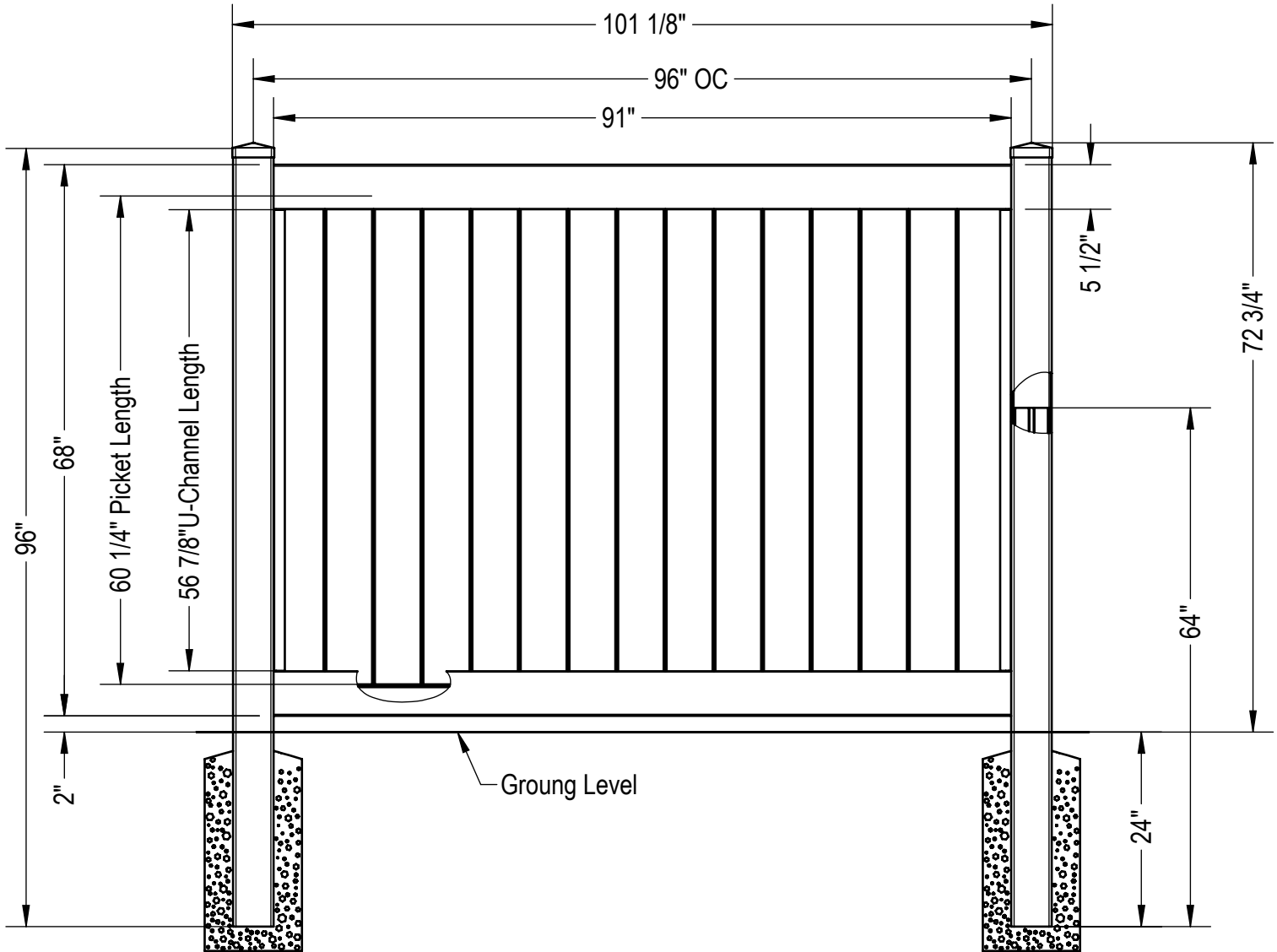
THIS DRAWING WAS MADE AND INTENDED FOR USE AS A GUIDE ONLY. ANY PRODUCT SUBSTITUTION OR VARIANCE MAY COMPROMISE THE STRUCTURE, DESIGN AND PERFORMANCE OF THE PRODUCT. NO WARRANTY IS EXPRESSED OR IMPLIED BY THIS DRAWING AND PLY GEM FENCE & RAIL.

P416

Sheet 2 of 2
11-15-18

68" H x 96" W Classic Privacy

with 1 1/2 x 5 1/2 Rail & 7/8 x 6 T&G Picket



QTY.	Part Number	LENGTH
2	5 x 5 Post	96"
2	5 x 5 Post Tower Insert	64"
2	1 1/2 x 5 1/2 Slotted Rail	94 1/2"
15	7/8 x 6 Picket	60 1/4"
2	7/8 U-Channel	56 7/8"
6	#10 x 3/4" Screw	
2	5 x 5 External Long Cap	
	Insert for Khaki and WS colors	
1	1 1/2 x 5 1/2 Sltd Insert	94 1/2"

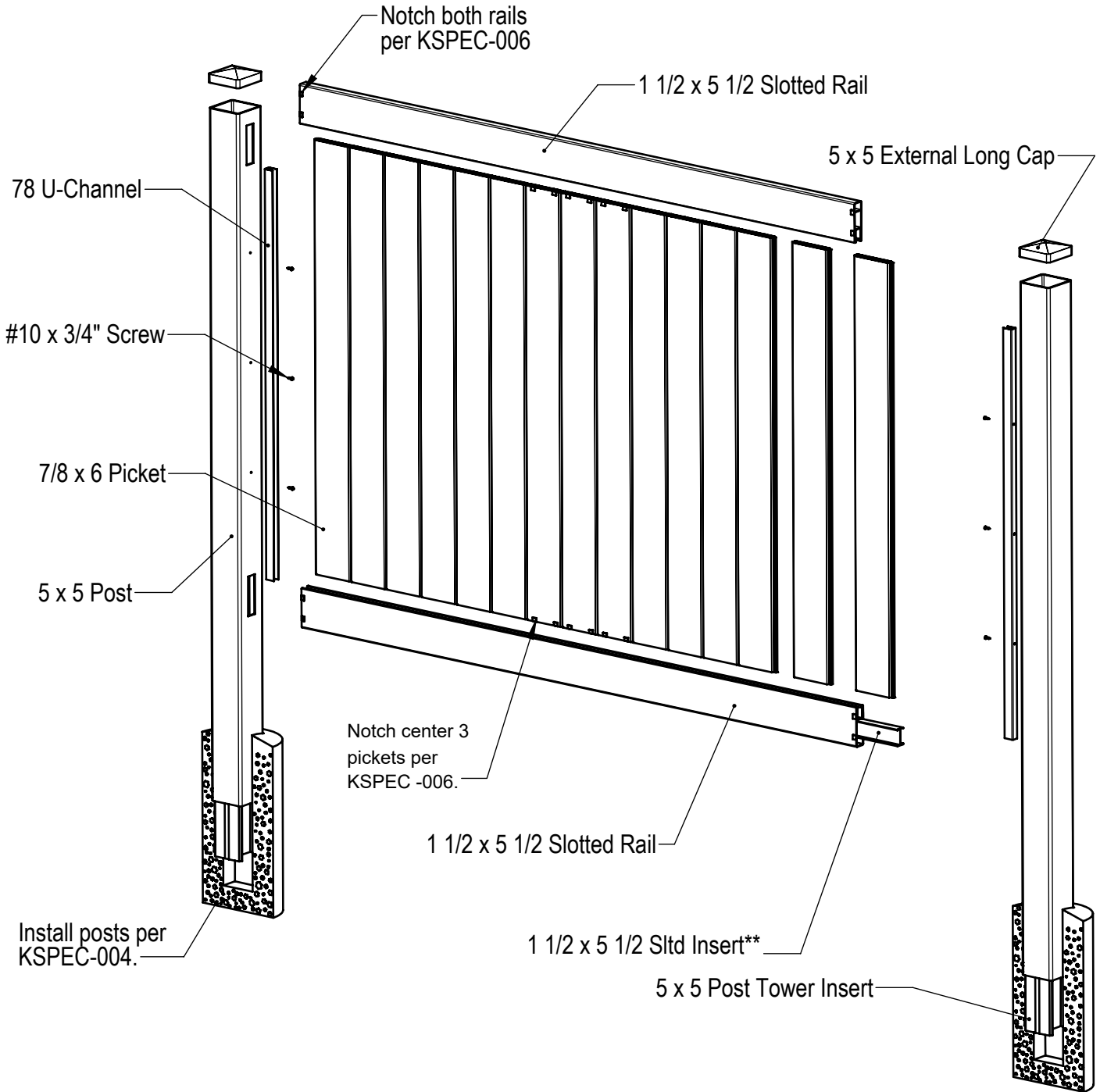
THIS DRAWING WAS MADE AND INTENDED FOR USE AS A GUIDE ONLY. ANY PRODUCT SUBSTITUTION OR VARIANCE MAY COMPROMISE THE STRUCTURE, DESIGN AND PERFORMANCE OF THE PRODUCT. NO WARRANTY IS EXPRESSED OR IMPLIED BY THIS DRAWING AND PLY GEM FENCE & RAIL.

P417

Sheet 1 of 2
11-15-18

68" H x 96" W Classic Privacy

with 1 1/2 x 5 1/2 Rail & 7/8 x 6 T&G Picket



**Aluminum insert required on Khaki and all Woodland Select colors.

THIS DRAWING WAS MADE AND INTENDED FOR USE AS A GUIDE ONLY. ANY PRODUCT SUBSTITUTION OR VARIANCE MAY COMPROMISE THE STRUCTURE, DESIGN AND PERFORMANCE OF THE PRODUCT. NO WARRANTY IS EXPRESSED OR IMPLIED BY THIS DRAWING AND PLY GEM FENCE & RAIL.

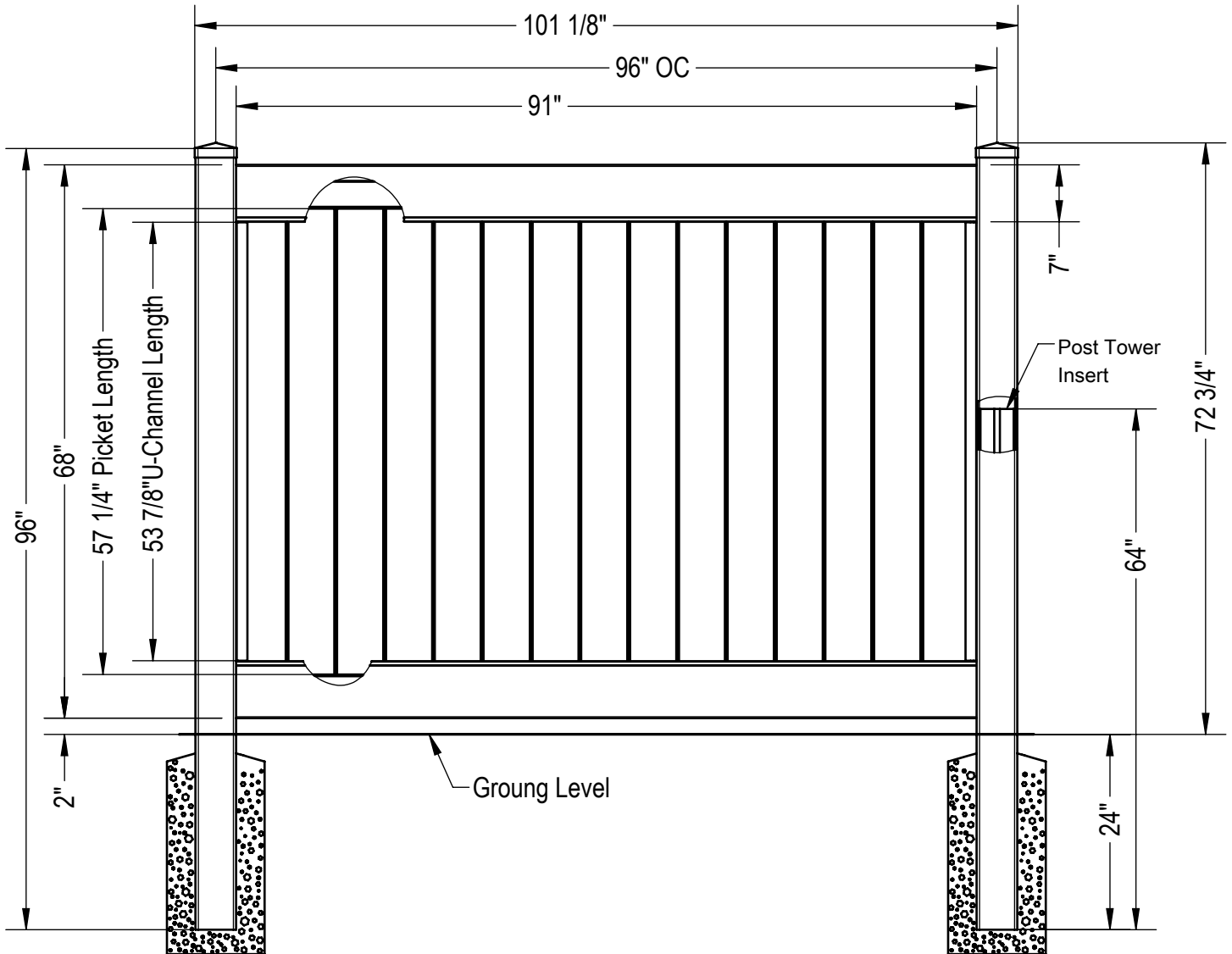
DRAWINGS ARE CONFIDENTIAL AND ARE THE PROPERTY OF PLY GEM FENCE & RAILING © MAR 2019.

P417

Sheet 2 of 2
11-15-18

68" H x 96" W Classic Privacy

with 2 x 7 Rail & 7/8 x 6 T&G Picket



QTY.	Part Number	LENGTH
2	5 x 5 Post RW	96"
2	5 x 5 Post Tower Insert	64"
2	2 x7 Slotted Rail	94 1/2"
15	7/8 x 6 Picket	57 1/4"
2	7/8 U-Channel	53 7/8"
6	#10 x 3/4" Screw	
2	5 x 5 External Long Cap	
	Insert for Khaki and WS colors	
1	2 x 7 H-Channel Insert	94 1/2"

REV	DESCRIPTION	DATE
01	Original	02/27/19

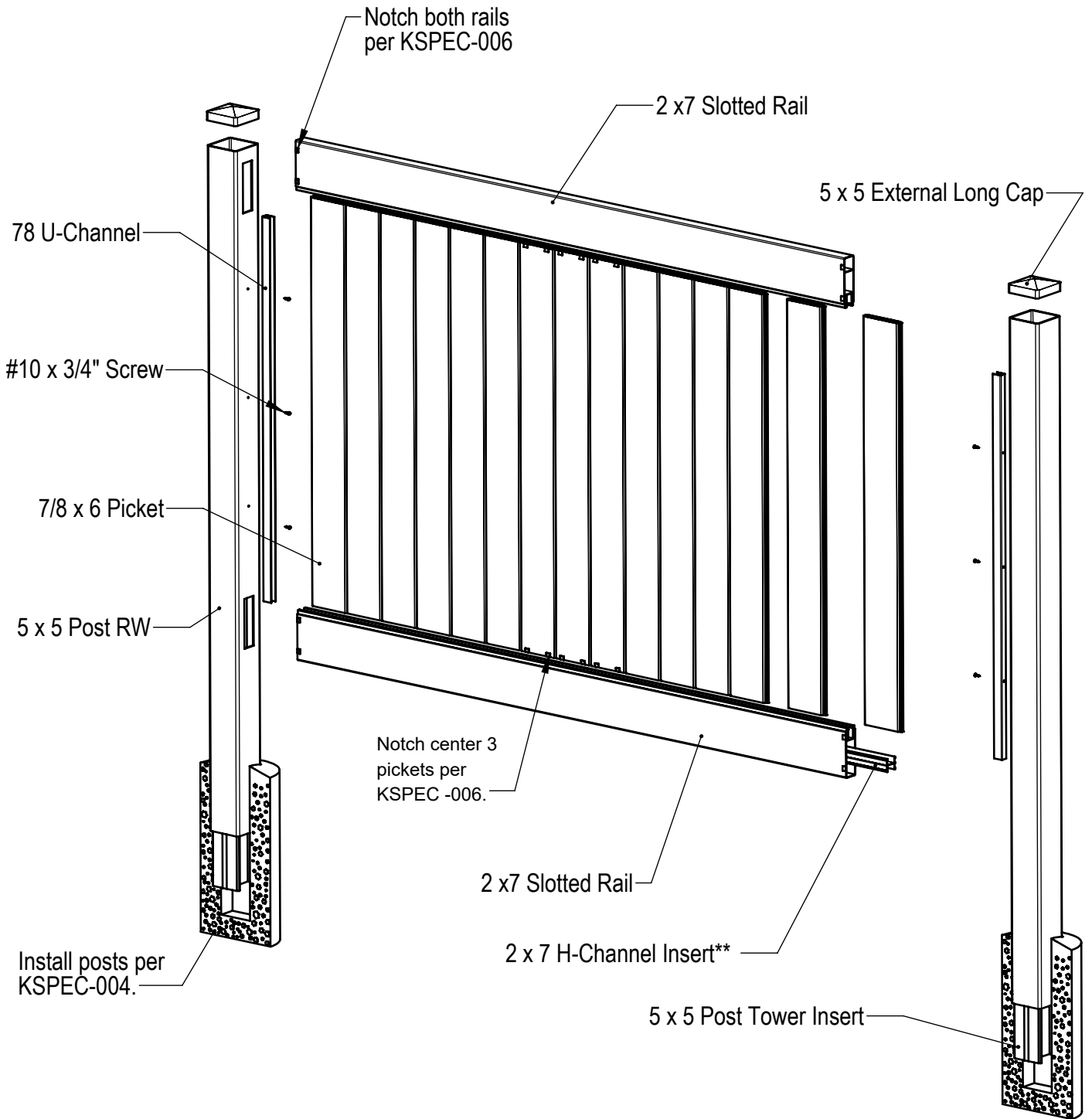
THIS DRAWING WAS MADE AND INTENDED FOR USE AS A GUIDE ONLY. ANY PRODUCT SUBSTITUTION OR VARIANCE MAY COMPROMISE THE STRUCTURE, DESIGN AND PERFORMANCE OF THE PRODUCT. NO WARRANTY IS EXPRESSED OR IMPLIED BY THIS DRAWING AND PLY GEM FENCE & RAIL.

P418

Sheet 1 of 2
11-15-18

68" H x 96" W Classic Privacy

with 2 x 7 Rail & 7/8 x 6 T&G Picket



**Aluminum insert required on Khaki and all Woodland Select colors.

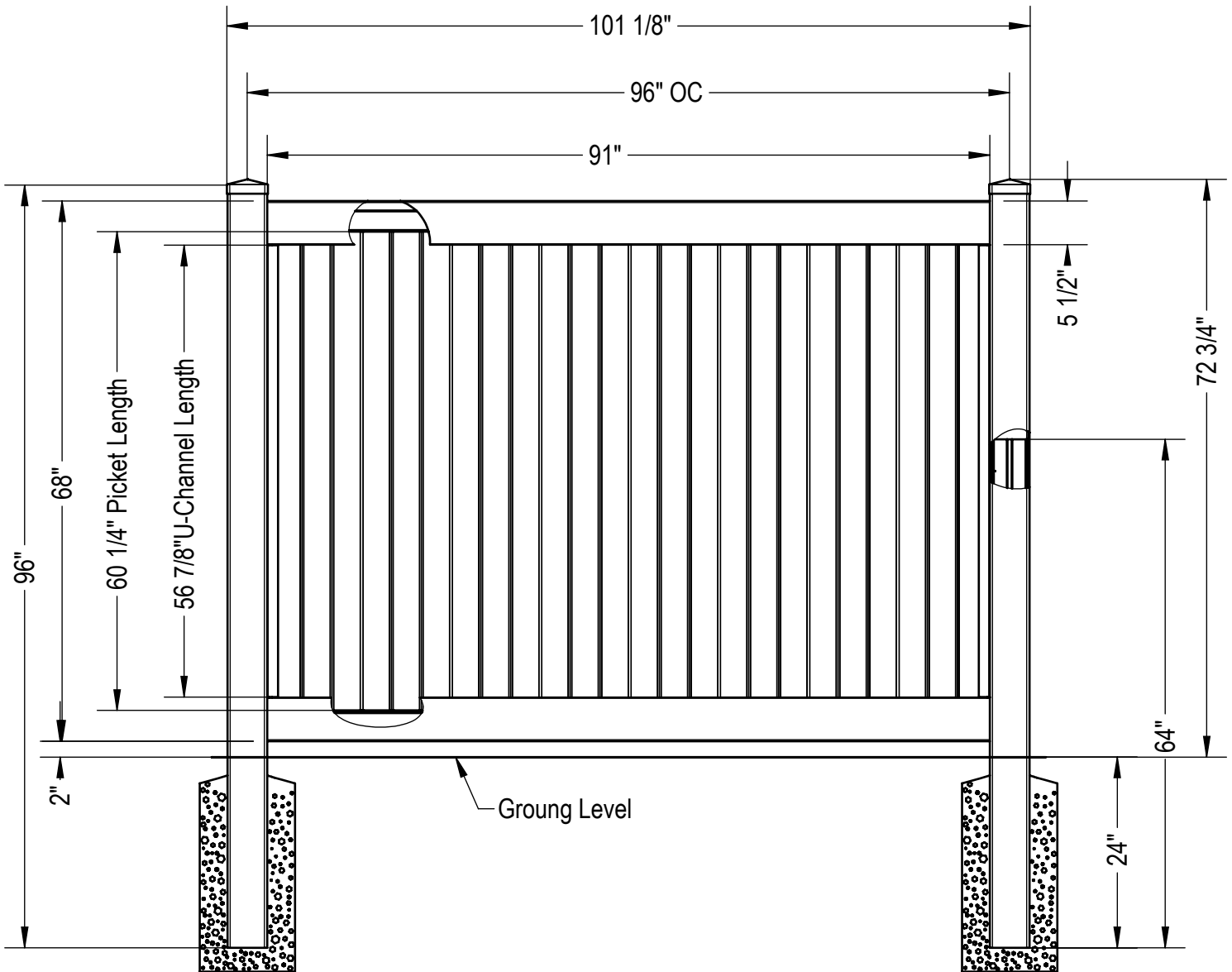
THIS DRAWING WAS MADE AND INTENDED FOR USE AS A GUIDE ONLY. ANY PRODUCT SUBSTITUTION OR VARIANCE MAY COMPROMISE THE STRUCTURE, DESIGN AND PERFORMANCE OF THE PRODUCT. NO WARRANTY IS EXPRESSED OR IMPLIED BY THIS DRAWING AND PLY GEM FENCE & RAIL.

P418

Sheet 2 of 2
11-15-18

68" H x 96" W Classic Privacy

with 1 1/2 x 5 1/2 Rail & 7/8 x 11 1/4 T&G Picket



QTY.	Part Number	LENGTH
2	5 x 5 Post RW	96"
2	5 x 5 Post Tower Insert	64"
2	1 1/2 x 5 1/2 Slotted Rail	94 1/2"
8	7/8 x 11 1/4" Picket	60 1/4"
2	7/8 U-Channel	56 7/8"
6	#10 x 3/4" Screw	
2	5 x 5 External Long Cap	
	Insert for Khaki and WS colors	
1	1 1/2 x 5 1/2 Sltd Insert	94 1/2"

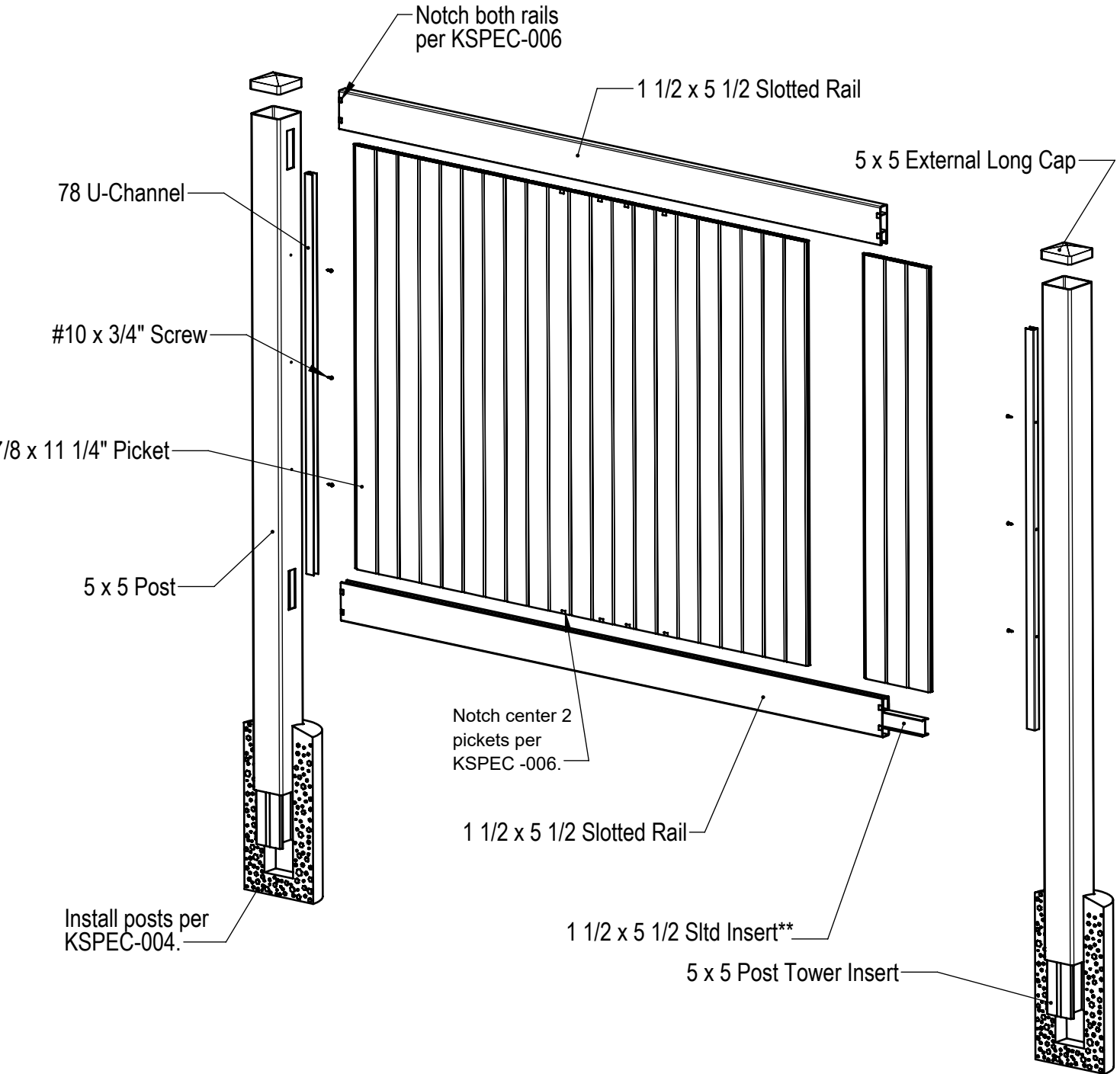
THIS DRAWING WAS MADE AND INTENDED FOR USE AS A GUIDE ONLY. ANY PRODUCT SUBSTITUTION OR VARIANCE MAY COMPROMISE THE STRUCTURE, DESIGN AND PERFORMANCE OF THE PRODUCT. NO WARRANTY IS EXPRESSED OR IMPLIED BY THIS DRAWING AND PLY GEM FENCE & RAIL.

P419

Sheet 1 of 2
11-15-18

68" H x 96" W Classic Privacy

with 1 1/2 x 5 1/2 Rail & 7/8 x 11 1/4 T&G Picket



**Aluminum insert required on Khaki and all Woodland Select colors.

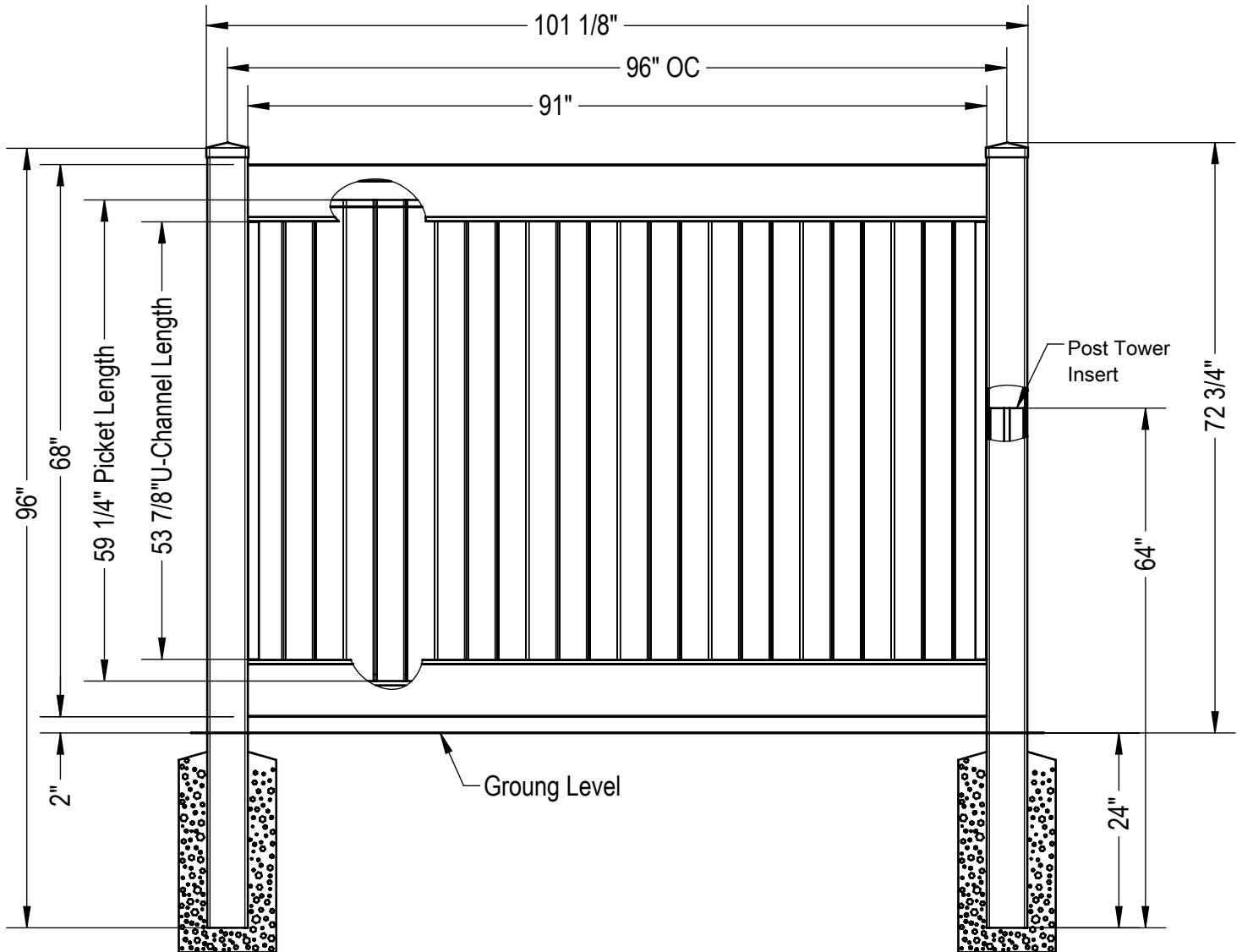
THIS DRAWING WAS MADE AND INTENDED FOR USE AS A GUIDE ONLY. ANY PRODUCT SUBSTITUTION OR VARIANCE MAY COMPROMISE THE STRUCTURE, DESIGN AND PERFORMANCE OF THE PRODUCT. NO WARRANTY IS EXPRESSED OR IMPLIED BY THIS DRAWING AND PLY GEM FENCE & RAIL.

P419

Sheet 2 of 2
11-15-18

68" H x 96" W Classic Privacy

with 2 x 7 Rail & 7/8 x 11 1/4 T&G Picket



QTY.	Part Number	LENGTH
2	5 x 5 Post RW	96"
2	5 x 5 Post Tower Insert	64"
8	7/8 x 11 1/4" Picket	59 1/4"
2	2 x7 Slotted Rail	94 1/2"
2	7/8 U-Channel	53 7/8"
6	#10 x 3/4" Screw	
2	5 x 5 External Long Cap	
	Insert for Khaki and WS colors	
1	2 x 7 H-Channel Insert	94 1/2"

REVISION HISTORY	
REV	DATE
01	03/27/19

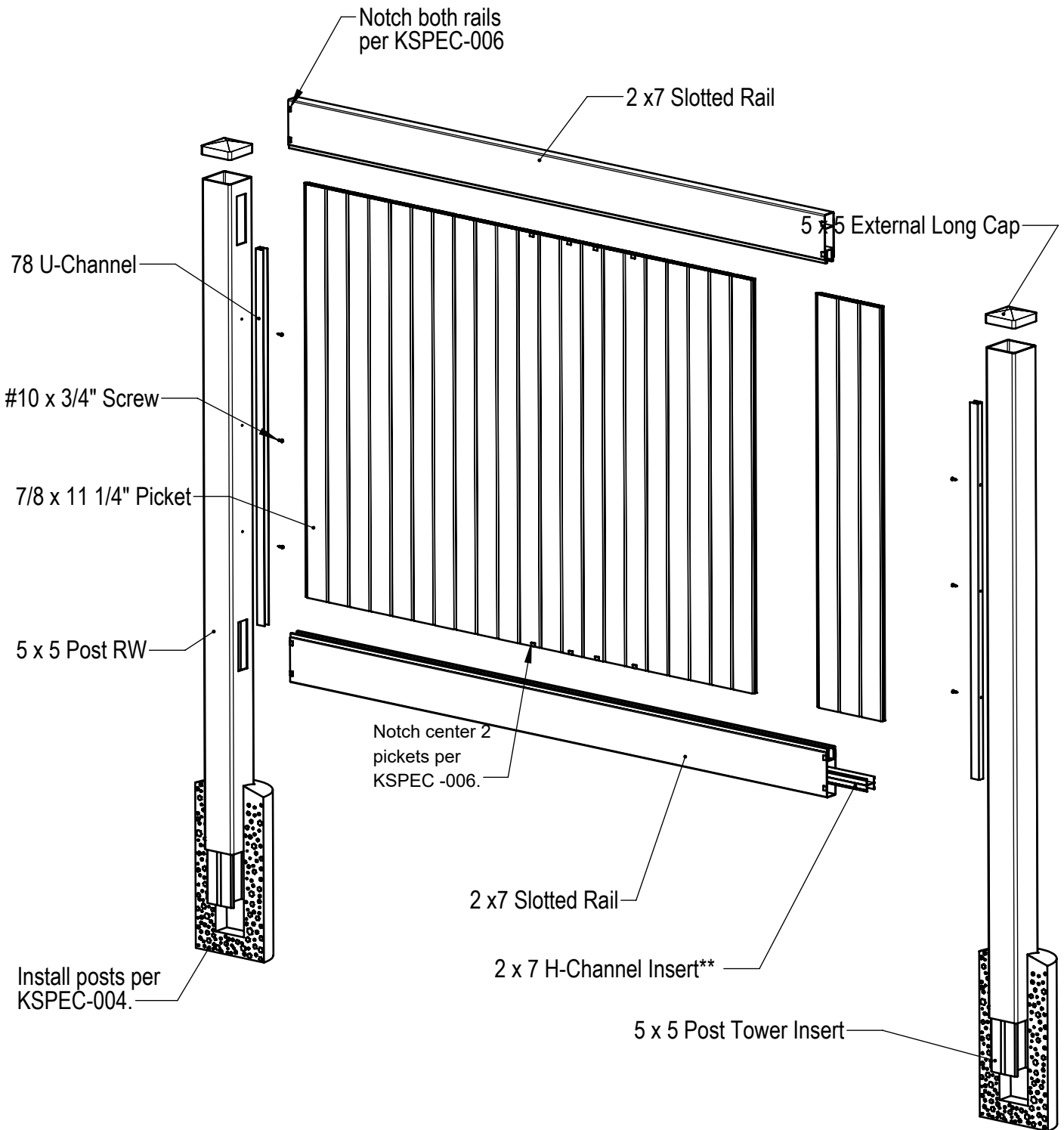
THIS DRAWING WAS MADE AND INTENDED FOR USE AS A GUIDE ONLY. ANY PRODUCT SUBSTITUTION OR VARIANCE MAY COMPROMISE THE STRUCTURE, DESIGN AND PERFORMANCE OF THE PRODUCT. NO WARRANTY IS EXPRESSED OR IMPLIED BY THIS DRAWING AND PLY GEM FENCE & RAIL.

P420

Sheet 1 of 2
11-15-18

68" H x 96" W Classic Privacy

with 2 x 7 Rail & 7/8 x 11 1/4 T&G Picket



** Aluminum insert required on Khaki and all Woodland Select colors.

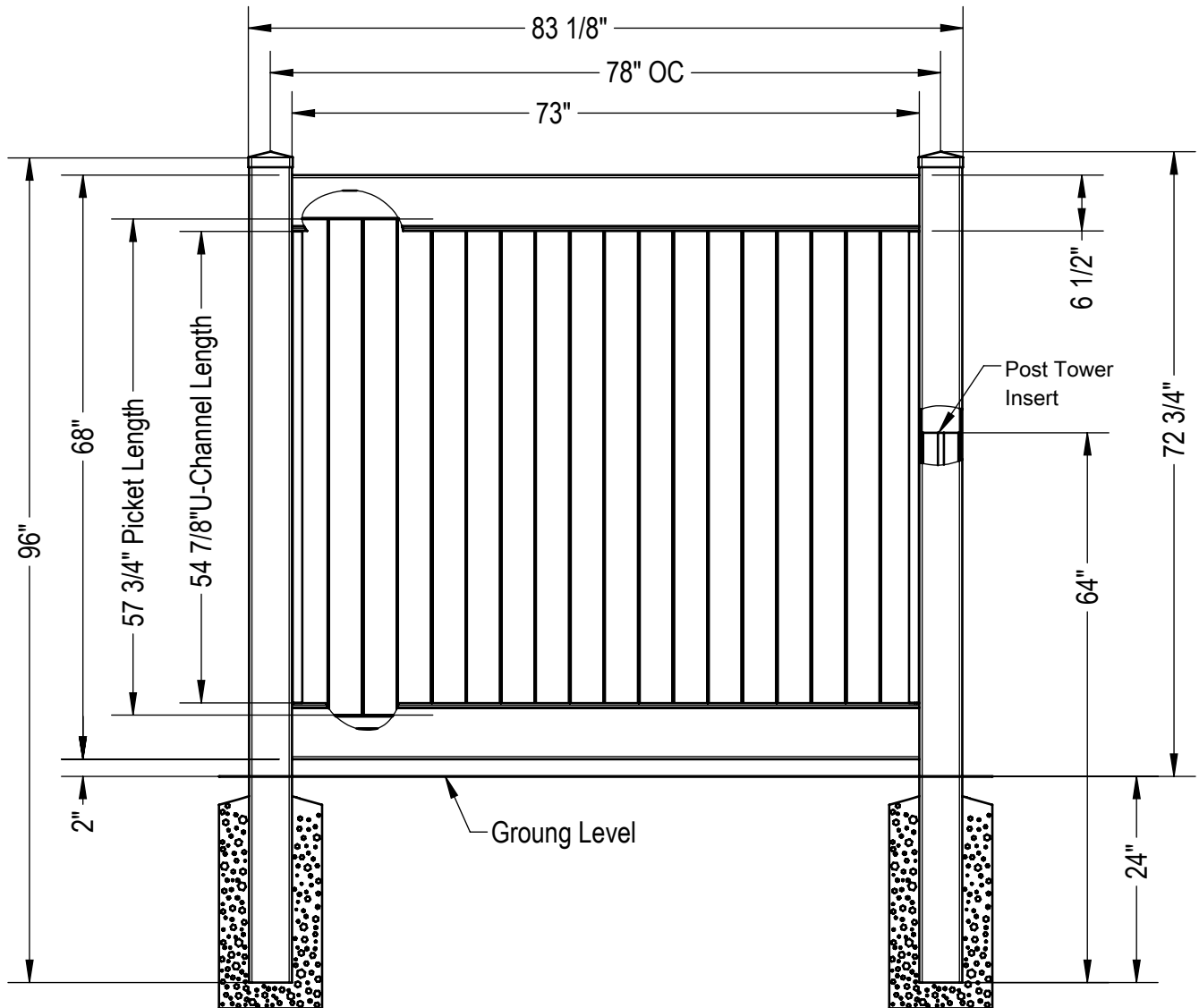
THIS DRAWING WAS MADE AND INTENDED FOR USE AS A GUIDE ONLY. ANY PRODUCT SUBSTITUTION OR VARIANCE MAY COMPROMISE THE STRUCTURE, DESIGN AND PERFORMANCE OF THE PRODUCT. NO WARRANTY IS EXPRESSED OR IMPLIED BY THIS DRAWING AND PLY GEM FENCE & RAIL.

P420

Sheet 2 of 2
11-15-18

68" H x 78" W Solid Privacy

with 2 x 6 1/2 Slotted Rail & 1 x 8 T&G Picket



QTY.	PART NUMBER	LENGTH
2	5 x 5 Post	96"
2	5 x 5 Post Tower Insert	64"
2	2 x 6 1/2 Slotted Rail	76"
2	1" U-Channel	54 7/8"
9	1 x 8 T&G Picket	57 3/4"
6	#10 x 3/4" Screw	
2	5 x 5 External Long Cap	
	Insert for Khaki and WS colors	
1	2 x 3 1/2 P-Channel	76"

THIS DRAWING WAS MADE AND INTENDED FOR USE AS A GUIDE ONLY. ANY PRODUCT SUBSTITUTION OR VARIANCE MAY COMPROMISE THE STRUCTURE, DESIGN AND PERFORMANCE OF THE PRODUCT. NO WARRANTY IS EXPRESSED OR IMPLIED BY THIS DRAWING AND PLY GEM FENCE & RAIL.

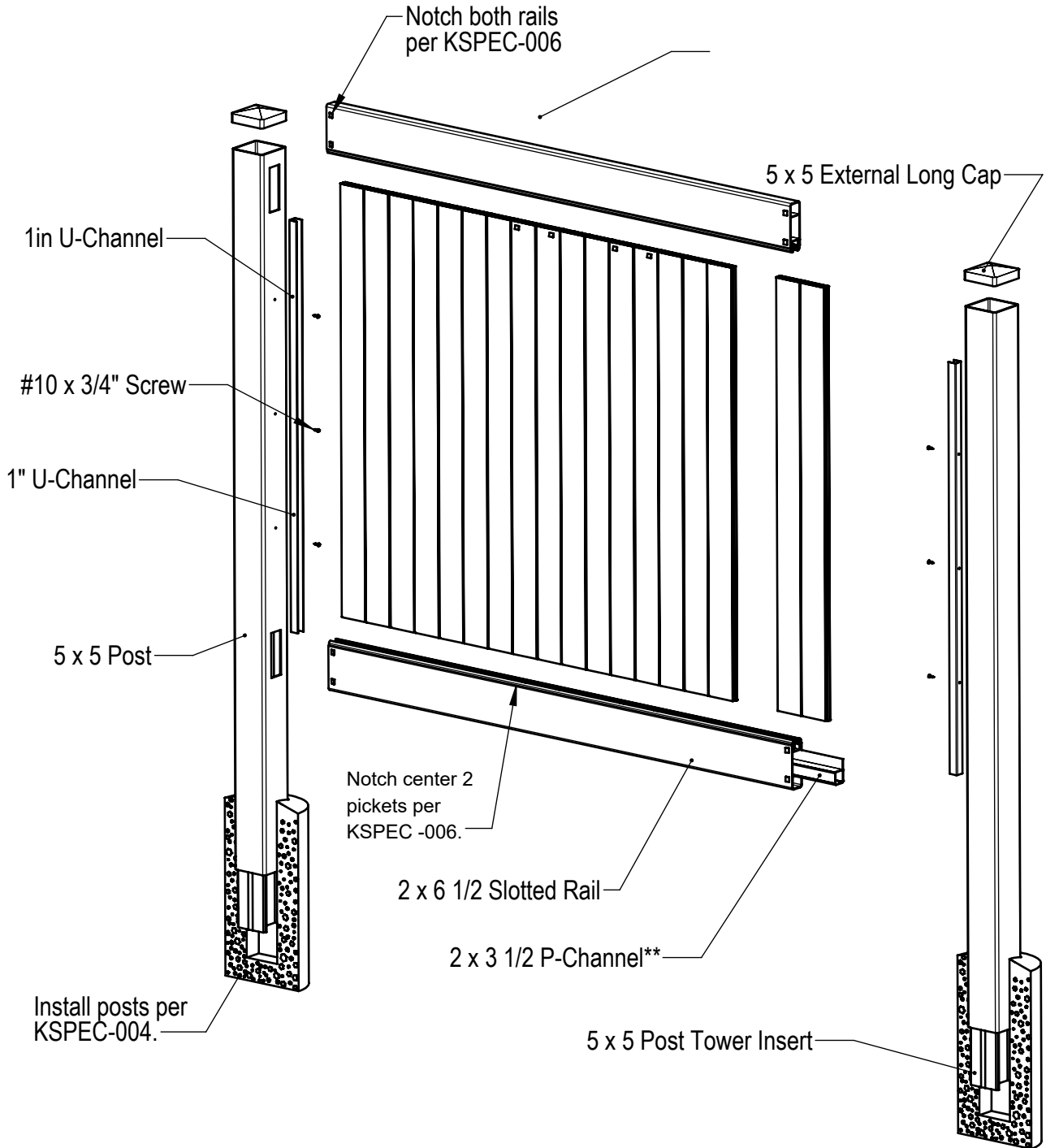
DRAWINGS ARE CONFIDENTIAL AND ARE THE PROPERTY OF PLY GEM FENCE & RAILING © MAR 2019.

P421

Sheet 1 of 2
02-07-19

68" H x 78" W Solid Privacy

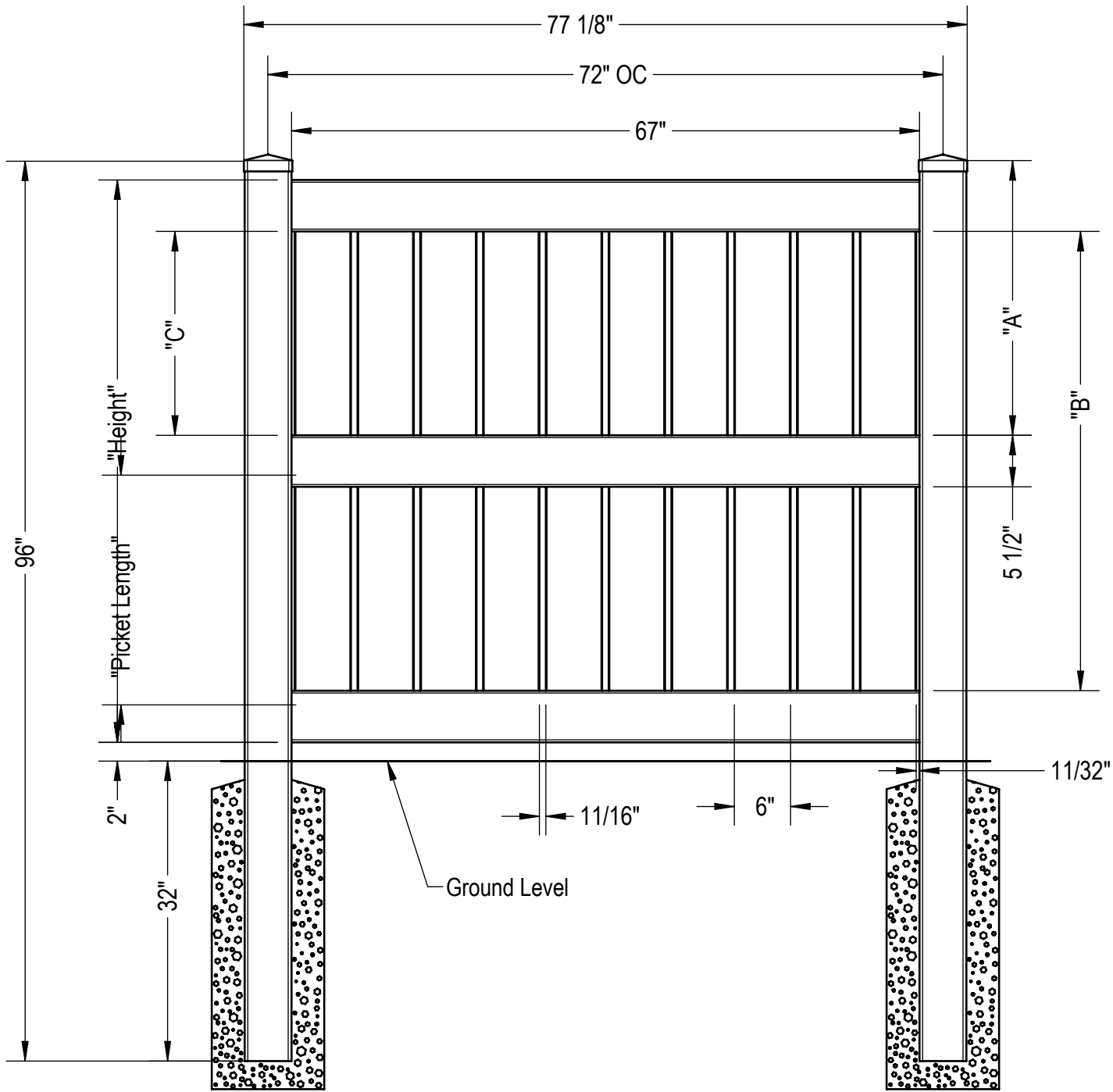
with 2 x 6 1/2 Slotted Rail & 1 x 8 T&G Picket



**Aluminum insert required on Khaki and all Woodland Select colors.

THIS DRAWING WAS MADE AND INTENDED FOR USE AS A GUIDE ONLY. ANY PRODUCT SUBSTITUTION OR VARIANCE MAY COMPROMISE THE STRUCTURE, DESIGN AND PERFORMANCE OF THE PRODUCT. NO WARRANTY IS EXPRESSED OR IMPLIED BY THIS DRAWING AND PLY GEM FENCE & RAIL.

60" H x 72" W Semi Privacy with 7/8 x 6 Rib Plank



QTY	PART NUMBER	LENGTH
2	5 x 5 Post RW	96"
2	5 x 5 External Long Cap	
2	1 1/2 x 5 1/2 Rail	70"
1	1 1/2 x 5 1/2 Rail 2Slot	70"
20	7/8 x 6 Rib Plank	See Chart

Chart				
Height	Picket Length	A	B	C
60"	24 1/4"	29 1/4"	56 1/2"	21 3/4"
58"	23 1/4"	28 1/4"	54 1/2"	20 3/4"
56"	22 1/4"	27 1/4"	52 1/2"	19 3/4"

THIS DRAWING WAS MADE AND INTENDED FOR USE AS A GUIDE ONLY. ANY PRODUCT SUBSTITUTION OR VARIANCE MAY COMPROMISE THE STRUCTURE, DESIGN AND PERFORMANCE OF THE PRODUCT. NO WARRANTY IS EXPRESSED OR IMPLIED BY THIS DRAWING AND PLY GEM FENCE & RAIL.

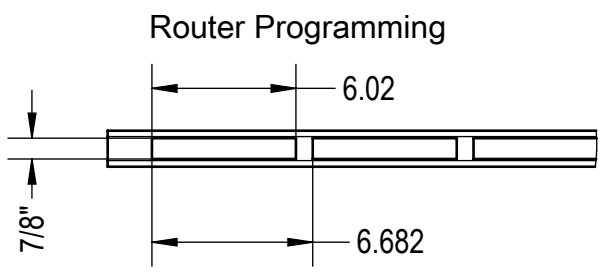
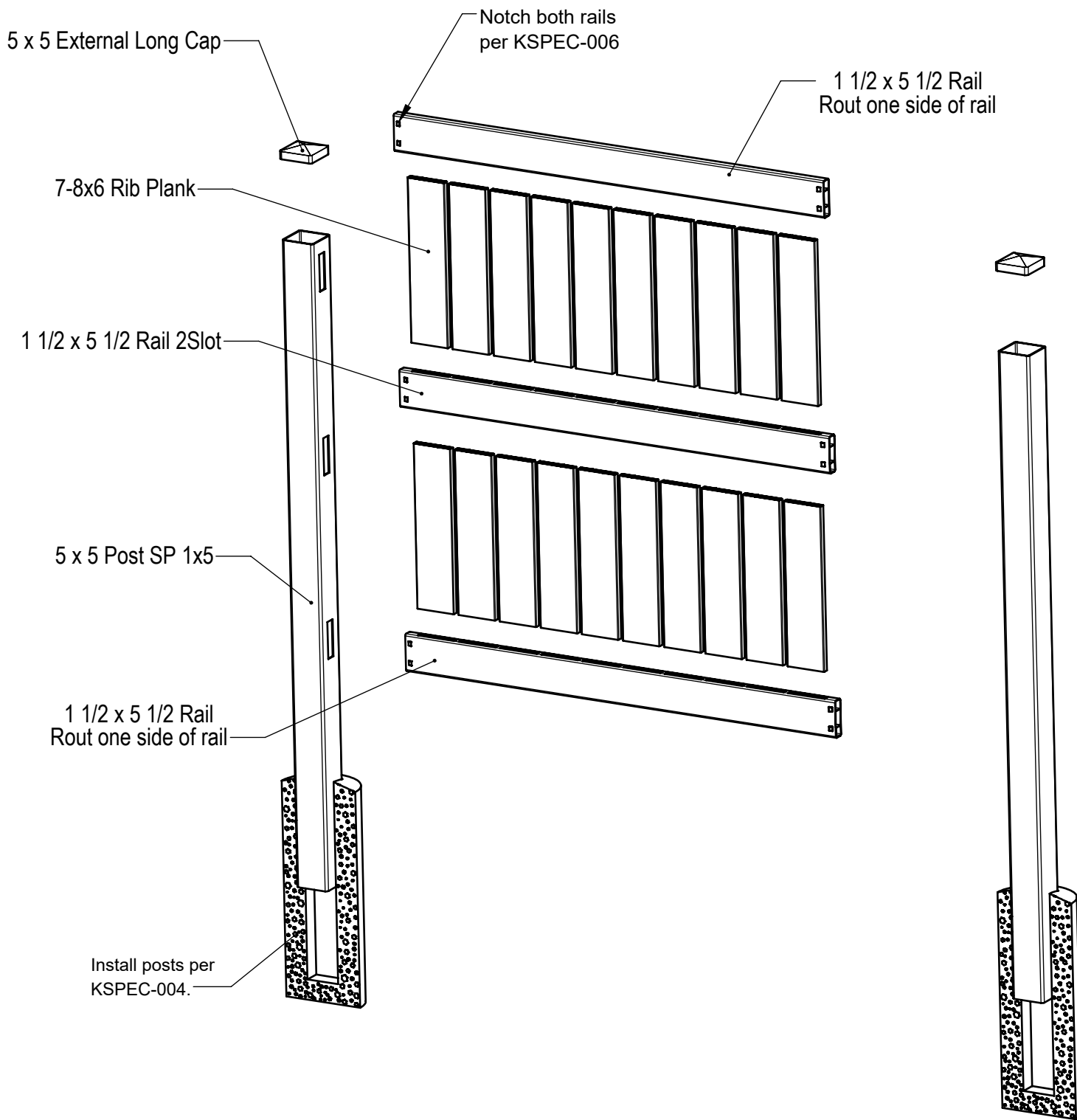
DRAWINGS ARE CONFIDENTIAL AND ARE THE PROPERTY OF PLY GEM FENCE & RAILING © MAR 2019.

P422

Sheet 1 of 2

03-08-19

60" H x 72" W Semi Privacy with 7/8 x 6 Rib Plank



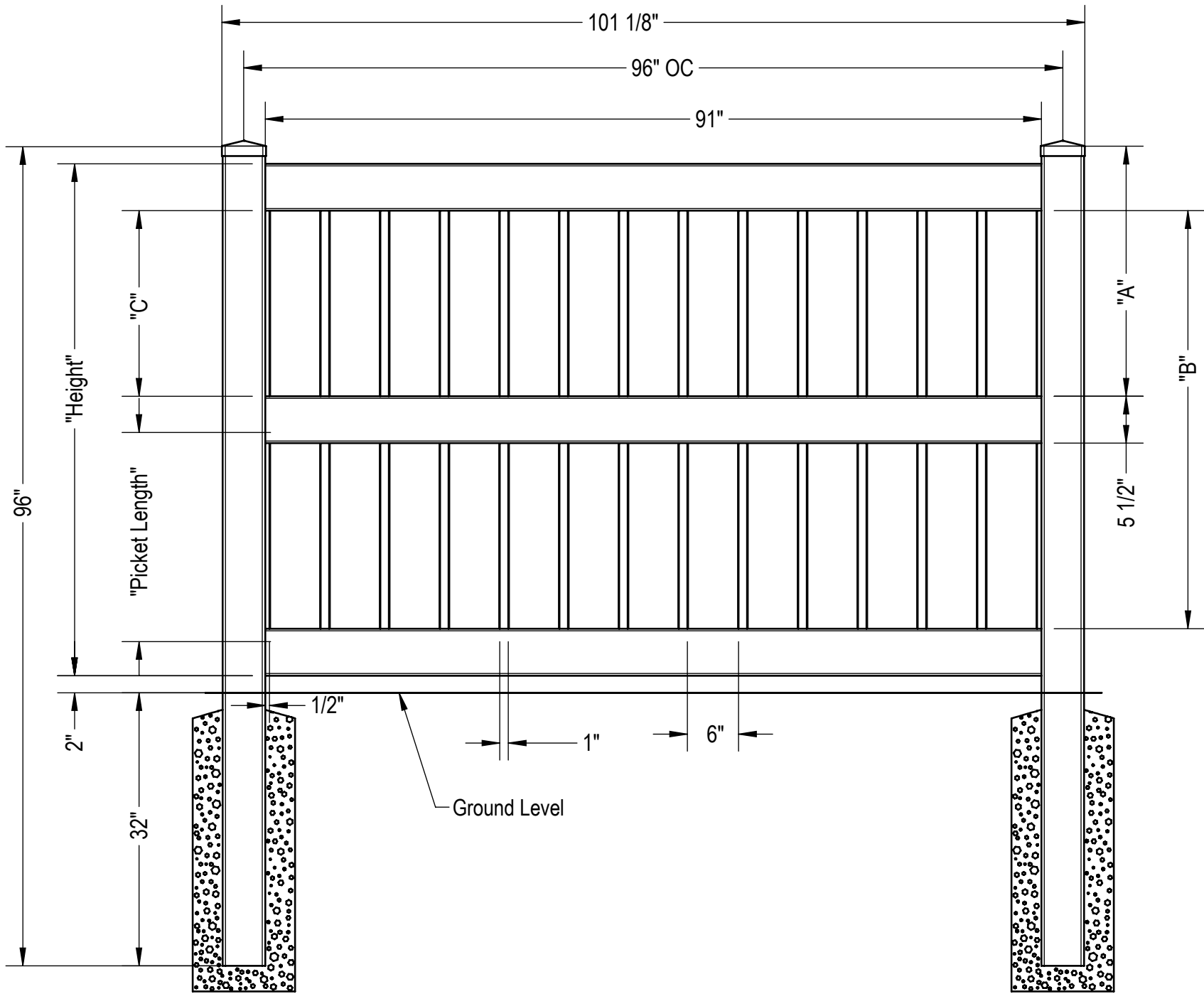
THIS DRAWING WAS MADE AND INTENDED FOR USE AS A GUIDE ONLY. ANY PRODUCT SUBSTITUTION OR VARIANCE MAY COMPROMISE THE STRUCTURE, DESIGN AND PERFORMANCE OF THE PRODUCT. NO WARRANTY IS EXPRESSED OR IMPLIED BY THIS DRAWING AND PLY GEM FENCE & RAIL.

DRAWINGS ARE CONFIDENTIAL AND ARE THE PROPERTY OF PLY GEM FENCE & RAILING © MAR 2019.

P422

Sheet 2 of 2
03-08-19

60" H x 96" W Semi Privacy with 7/8 x 6 Rib Plank



QTY	PART NUMBER	LENGTH
2	5 x 5 Post RW	96"
2	5 x 5 External Long Cap	
2	1 1/2 x 5 1/2 Rail	94"
1	1 1/2 x 5 1/2 Rail	94"
26	7/8 x 6 Rib Plank	See Chart

Chart				
Height	Picket Length	A	B	C
60"	24 1/4"	29 1/4"	56 1/2"	21 3/4"
58"	23 1/4"	28 1/4"	54 1/2"	20 3/4"
56"	22 1/4"	27 1/4"	52 1/2"	19 3/4"

THIS DRAWING WAS MADE AND INTENDED FOR USE AS A GUIDE ONLY. ANY PRODUCT SUBSTITUTION OR VARIANCE MAY COMPROMISE THE STRUCTURE, DESIGN AND PERFORMANCE OF THE PRODUCT. NO WARRANTY IS EXPRESSED OR IMPLIED BY THIS DRAWING AND PLY GEM FENCE & RAIL.

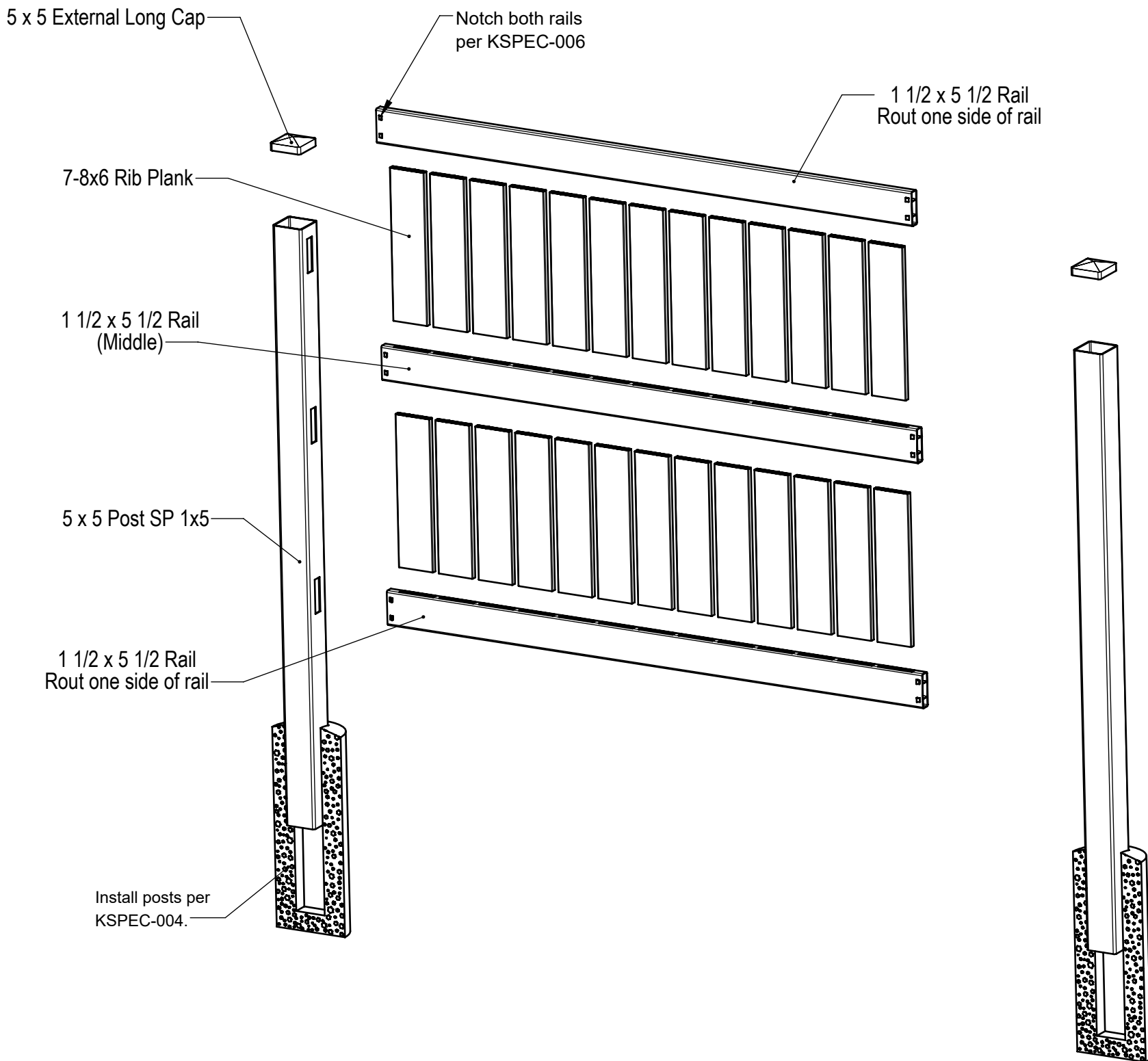
DRAWINGS ARE CONFIDENTIAL AND ARE THE PROPERTY OF PLY GEM FENCE & RAILING © MAR 2019.

P423

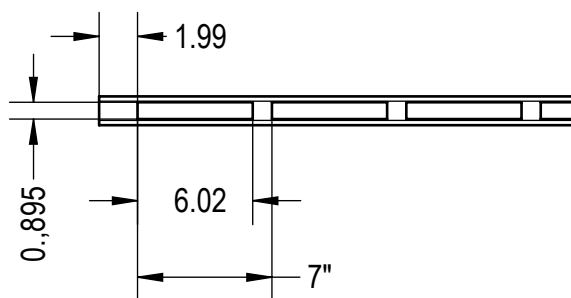
Sheet 1 of 2

03-08-19

60" H x 96" W Semi Privacy with 7/8 x 6 Rib Plank



Router Programming



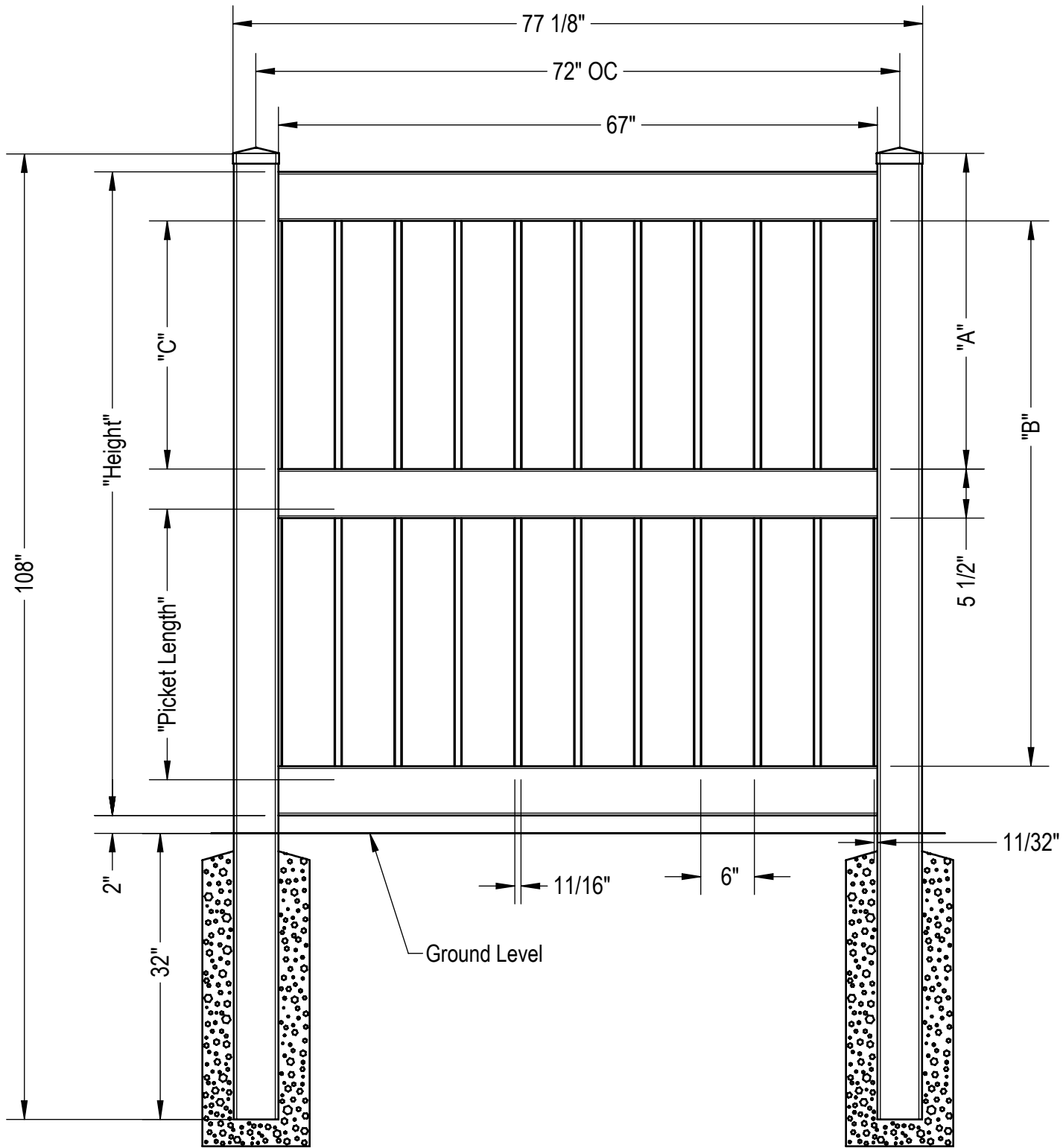
THIS DRAWING WAS MADE AND INTENDED FOR USE AS A GUIDE ONLY. ANY PRODUCT SUBSTITUTION OR VARIANCE MAY COMPROMISE THE STRUCTURE, DESIGN AND PERFORMANCE OF THE PRODUCT. NO WARRANTY IS EXPRESSED OR IMPLIED BY THIS DRAWING AND PLY GEM FENCE & RAIL.

DRAWINGS ARE CONFIDENTIAL AND ARE THE PROPERTY OF PLY GEM FENCE & RAILING © MAR 2019.

P423

Sheet 2 of 2
03-08-19

72" H x 72" W Semi Privacy with 7/8 x 6 Rib Plank



QTY	PART NUMBER	LENGTH
2	5 x 5 Post RW	108"
2	5 x 5 External Long Cap	
2	1 1/2 x 5 1/2 Rail	70"
1	1 1/2 x 5 1/2 Rail 2Slot	70"
20	7/8 x 6 Rib Plank	See Chart

Chart				
Height	Picket Length	A	B	C
72"	30 1/4"	35 1/4"	68 1/2"	27 3/4"
70"	29 1/4"	34 1/4"	66 1/2"	26 3/4"
68"	28 1/4"	33 1/4"	64 1/2"	25 3/4"

THIS DRAWING WAS MADE AND INTENDED FOR USE AS A GUIDE ONLY. ANY PRODUCT SUBSTITUTION OR VARIANCE MAY COMPROMISE THE STRUCTURE, DESIGN AND PERFORMANCE OF THE PRODUCT. NO WARRANTY IS EXPRESSED OR IMPLIED BY THIS DRAWING AND PLY GEM FENCE & RAIL.

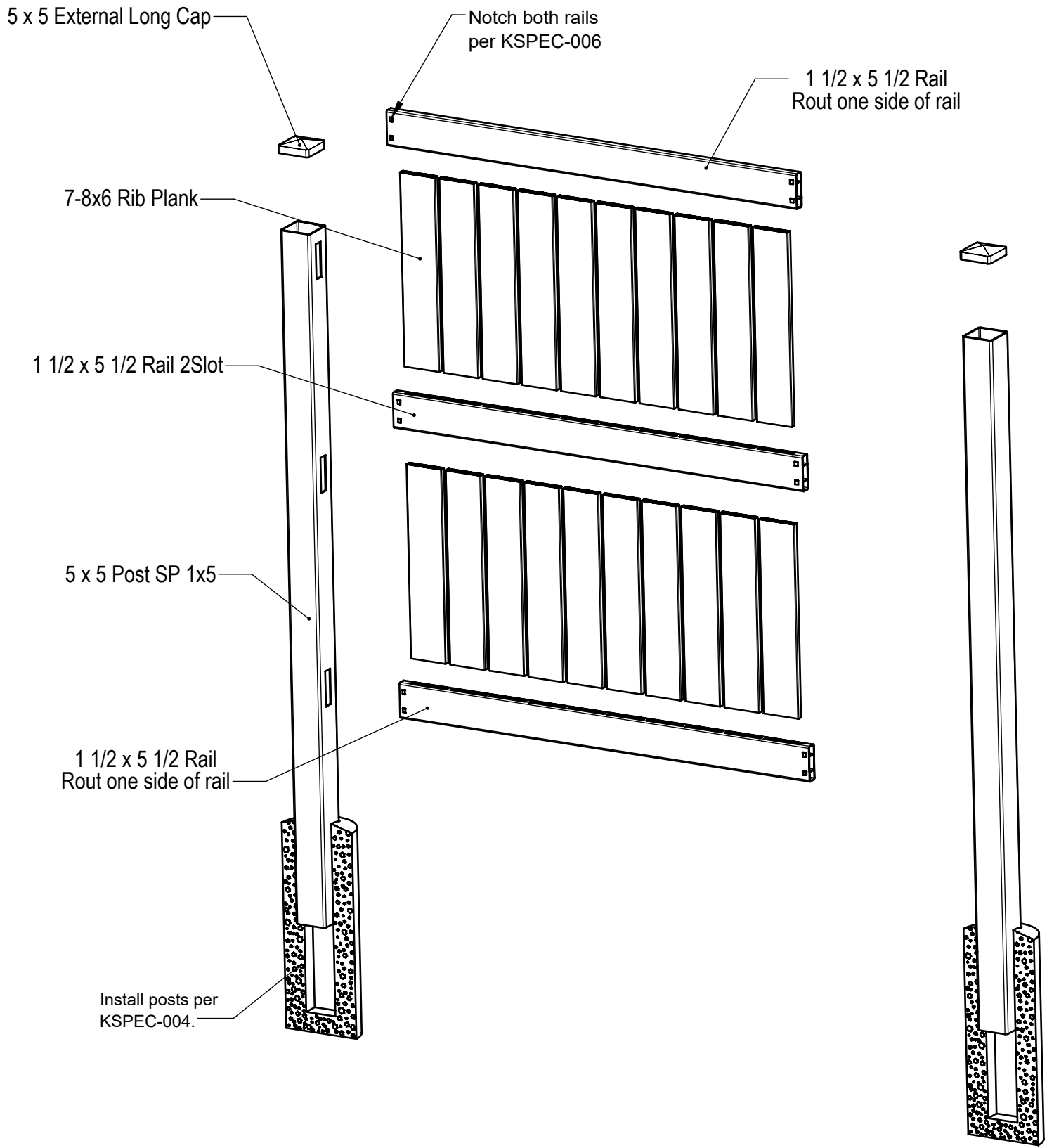
DRAWINGS ARE CONFIDENTIAL AND ARE THE PROPERTY OF PLY GEM FENCE & RAILING © MAR 2019.

P424

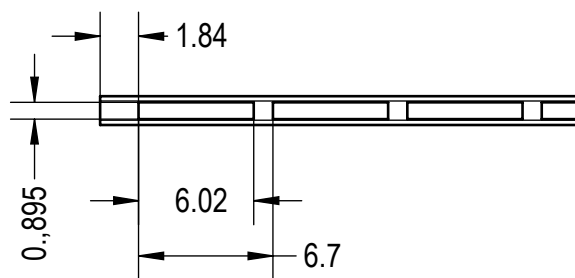
Sheet 1 of 2

03-07-19

72" H x 72" W Semi Privacy with 7/8 x 6 Rib Plank



Router Programming



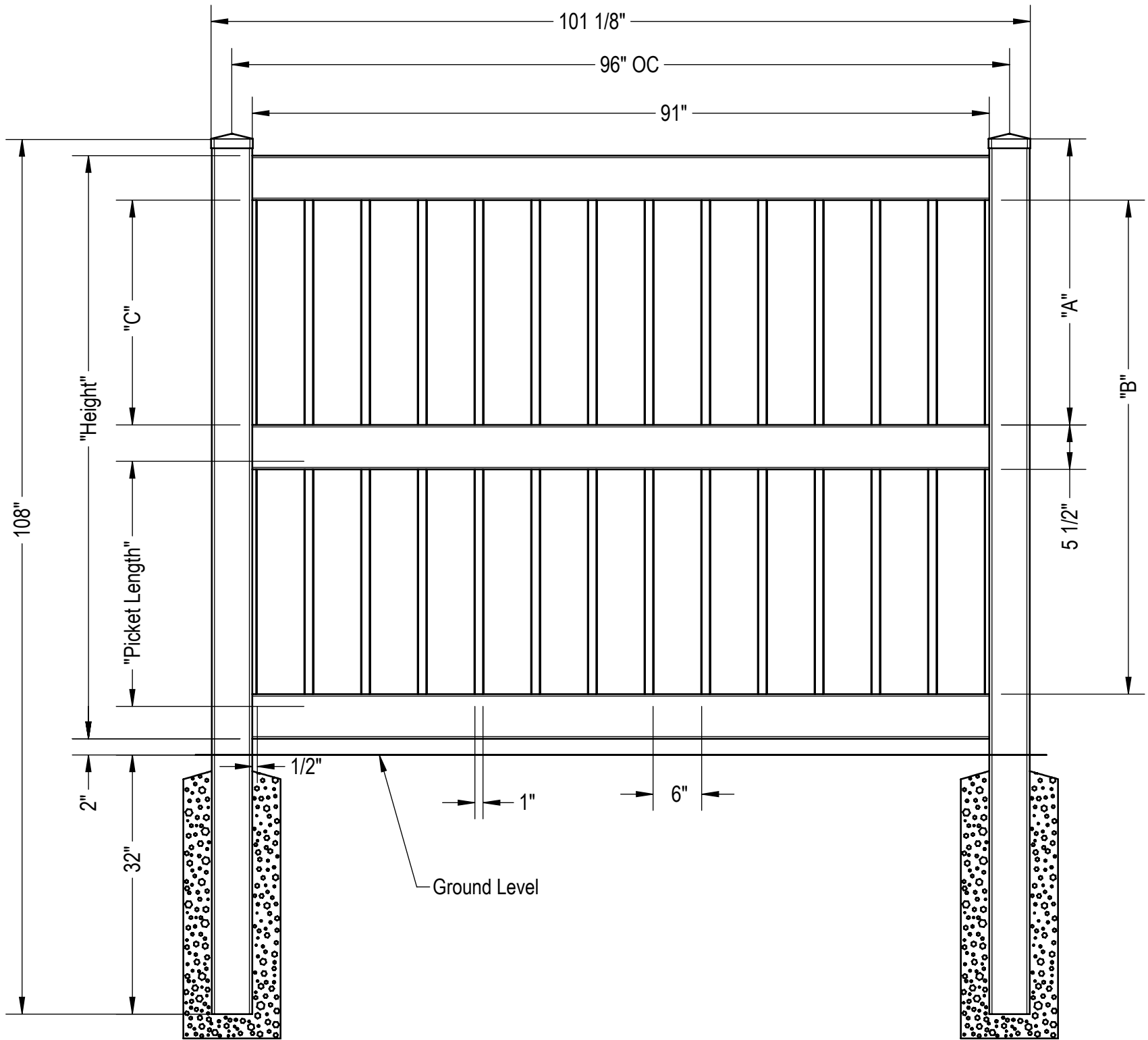
THIS DRAWING WAS MADE AND INTENDED FOR USE AS A GUIDE ONLY. ANY PRODUCT SUBSTITUTION OR VARIANCE MAY COMPROMISE THE STRUCTURE, DESIGN AND PERFORMANCE OF THE PRODUCT. NO WARRANTY IS EXPRESSED OR IMPLIED BY THIS DRAWING AND PLY GEM FENCE & RAIL.

DRAWINGS ARE CONFIDENTIAL AND ARE THE PROPERTY OF PLY GEM FENCE & RAILING © MAR 2019.

P424

Sheet 2 of 2
03-07-19

72" H x 96" W Semi Privacy with 7/8 x 6 Rib Plank



QTY	PART NUMBER	LENGTH
2	5 x 5 Post RW	108"
2	5 x 5 External Long Cap	
2	1 1/2 x 5 1/2 Rail	94"
1	1 1/2 x 5 1/2 Rail	94"
26	7/8 x 6 Rib Plank	See Chart

Chart				
Height	Picket Length	A	B	C
72"	30 1/4"	35 1/4"	68 1/2"	27 3/4"
70"	29 1/4"	34 1/4"	66 1/2"	26 3/4"
68"	28 1/4"	33 1/4"	64 1/2"	25 3/4"

THIS DRAWING WAS MADE AND INTENDED FOR USE AS A GUIDE ONLY. ANY PRODUCT SUBSTITUTION OR VARIANCE MAY COMPROMISE THE STRUCTURE, DESIGN AND PERFORMANCE OF THE PRODUCT. NO WARRANTY IS EXPRESSED OR IMPLIED BY THIS DRAWING AND PLY GEM FENCE & RAIL.

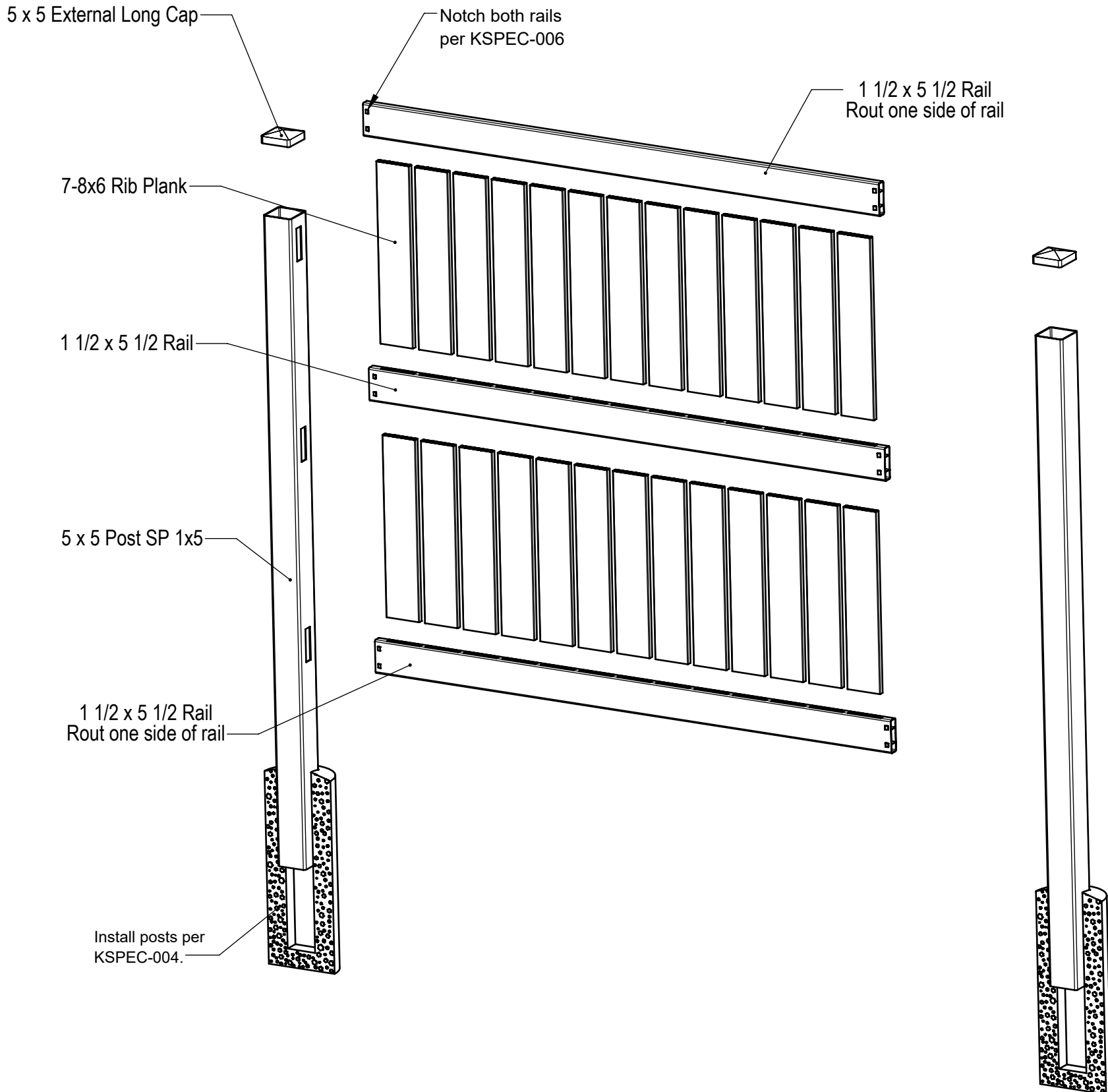
DRAWINGS ARE CONFIDENTIAL AND ARE THE PROPERTY OF PLY GEM FENCE & RAILING © MAR 2019.

P425

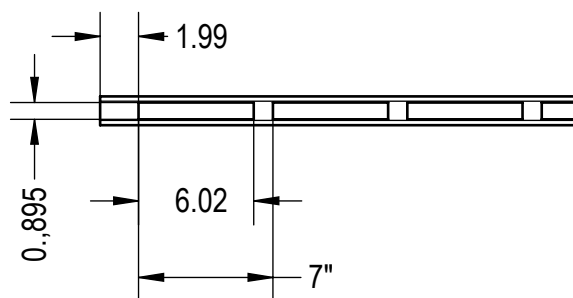
Sheet 1 of 2

03-08-19

72" H x 96" W Semi Privacy with 7/8 x 6 Rib Plank



Router Programming



THIS DRAWING WAS MADE AND INTENDED FOR USE AS A GUIDE ONLY. ANY PRODUCT SUBSTITUTION OR VARIANCE MAY COMPROMISE THE STRUCTURE, DESIGN AND PERFORMANCE OF THE PRODUCT. NO WARRANTY IS EXPRESSED OR IMPLIED BY THIS DRAWING AND PLY GEM FENCE & RAIL.

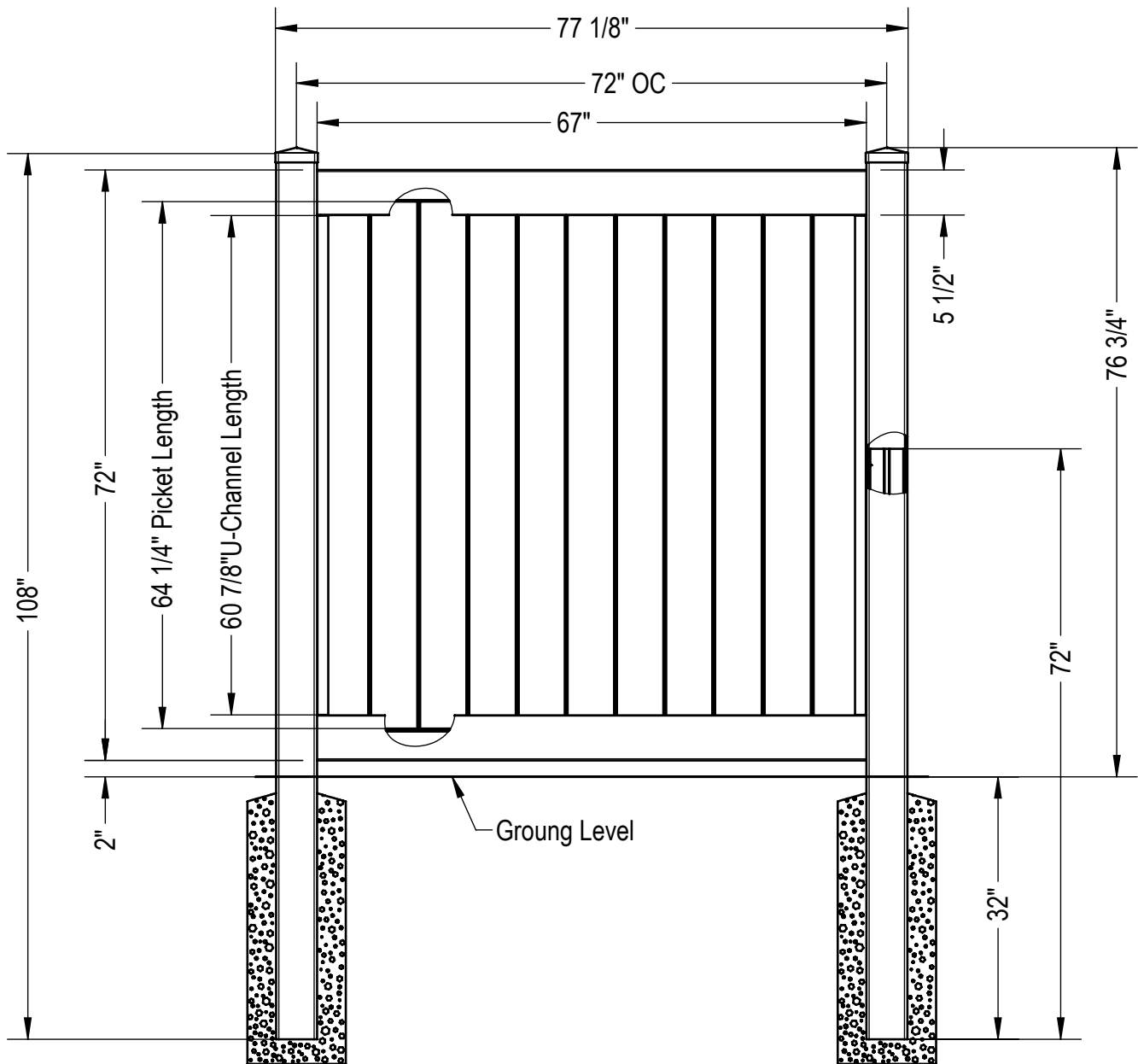
DRAWINGS ARE CONFIDENTIAL AND ARE THE PROPERTY OF PLY GEM FENCE & RAILING © MAR 2019.

P425

Sheet 2 of 2
03-08-19

70" H x 72" W Classic Privacy

with 1 1/2 x 5 1/2 Rail & 7/8 x 6 Non-Locking T&G Picket

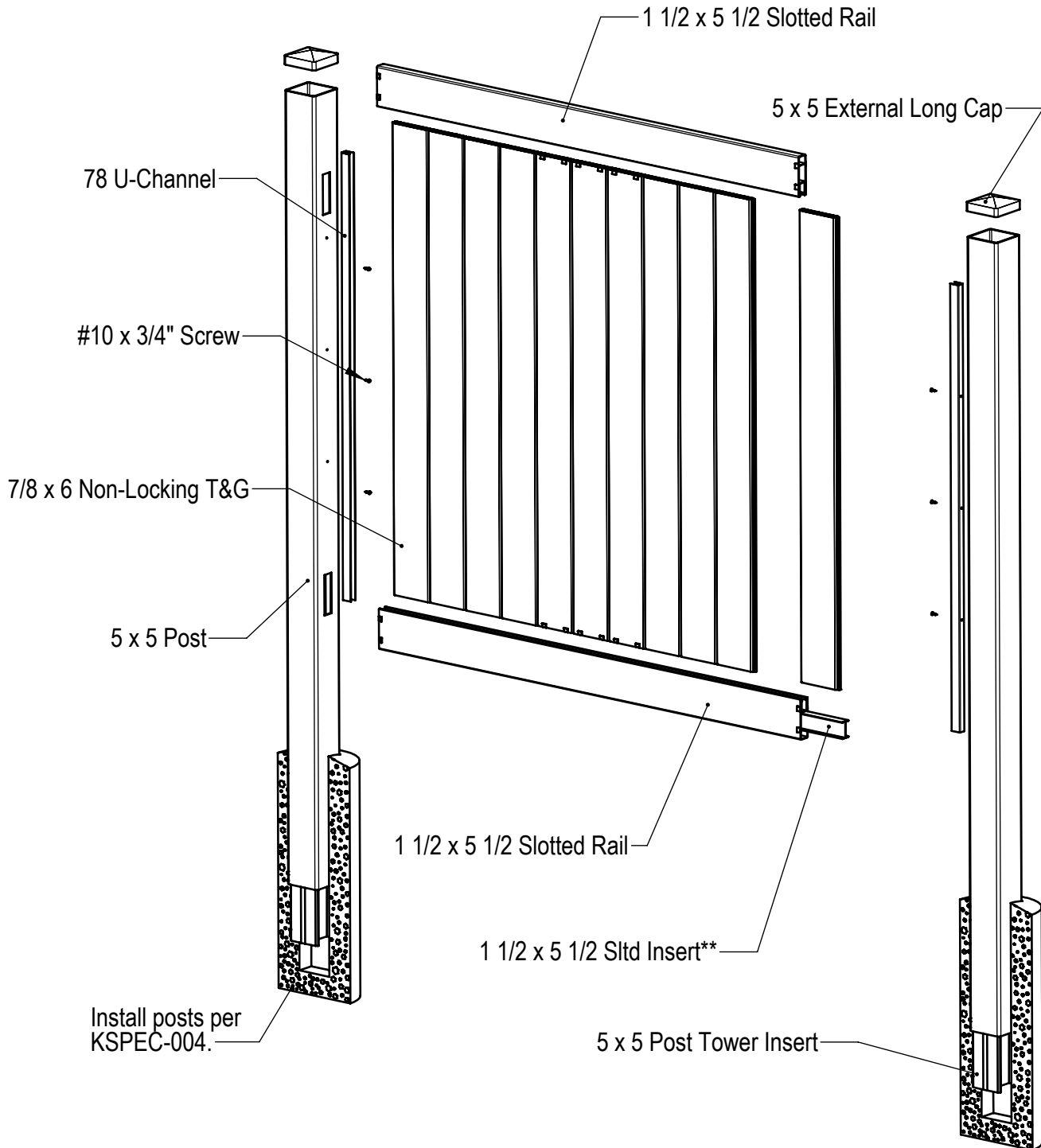


QTY.	Part Number	LENGTH
2	5 x 5 Post	108"
2	5 x 5 Post Tower Insert	72"
2	1 1/2 x 5 1/2 Slotted Rail	70 1/2"
11	7/8 x 6 Non-Locking T&G	64 1/4"
2	7/8 U-Channel	60 7/8"
6	#10 x 3/4" Screw	
2	5 x 5 External Long Cap	
	Insert for Khaki and WS colors	
1	1 1/2 x 5 1/2 Sltd Insert	70 1/2"

THIS DRAWING WAS MADE AND INTENDED FOR USE AS A GUIDE ONLY. ANY PRODUCT SUBSTITUTION OR VARIANCE MAY COMPROMISE THE STRUCTURE, DESIGN AND PERFORMANCE OF THE PRODUCT. NO WARRANTY IS EXPRESSED OR IMPLIED BY THIS DRAWING AND PLY GEM FENCE & RAIL.

70" H x 72" W Classic Privacy

with 1 1/2 x 5 1/2 Rail & 7/8 x 6 Non-Locking T&G Picket

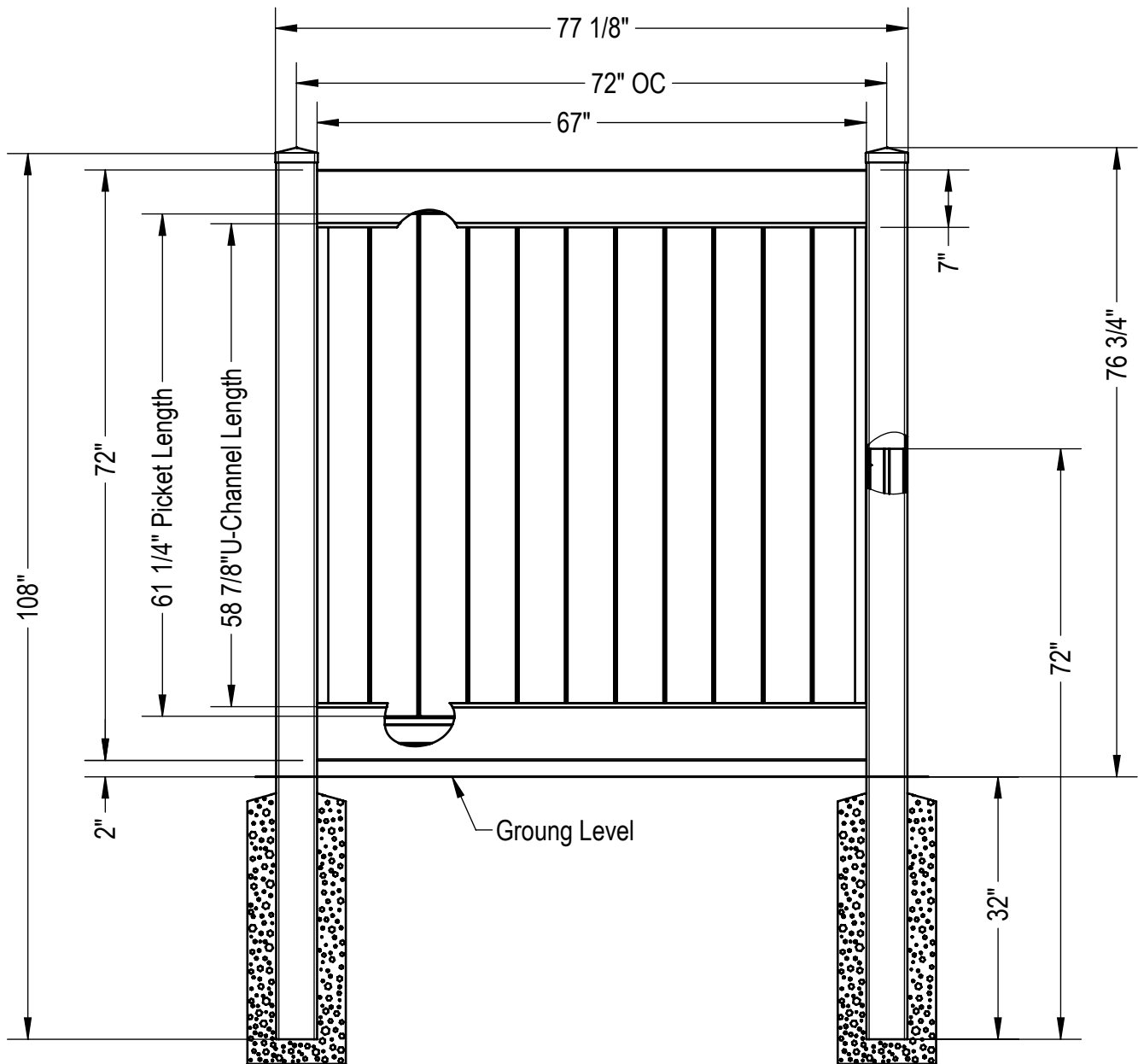


**Aluminum insert required on Khaki and all Woodland Select colors.

THIS DRAWING WAS MADE AND INTENDED FOR USE AS A GUIDE ONLY. ANY PRODUCT SUBSTITUTION OR VARIANCE MAY COMPROMISE THE STRUCTURE, DESIGN AND PERFORMANCE OF THE PRODUCT. NO WARRANTY IS EXPRESSED OR IMPLIED BY THIS DRAWING AND PLY GEM FENCE & RAIL.

72" H x 72" W Classic Privacy

with 2 x 7 Rails & 7/8 x 6 Non-Locking T&G Pickets

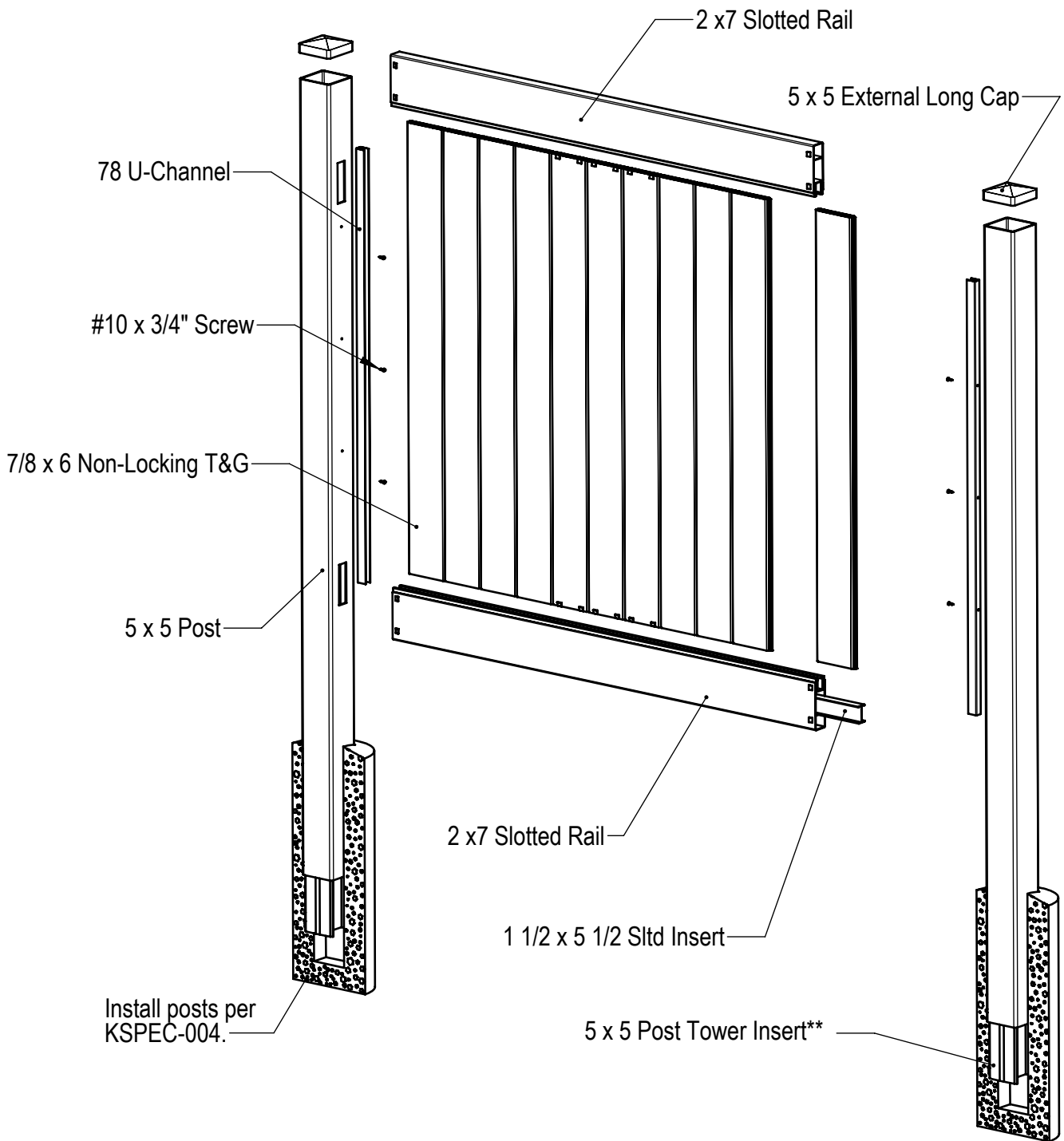


QTY.	Part Number	LENGTH
2	5 x 5 Post	108"
2	5 x 5 Post Tower Insert	72"
2	2 x 7 Slotted Rail	70 1/2"
11	7/8 x 6 Non-Locking T&G	61 1/4"
2	7/8 U-Channel	58 7/8"
6	#10 x 3/4" Screw	
2	5 x 5 External Long Cap	
	Insert for Khaki and WS colors	
1	1 1/2 x 5 1/2 Sltd Insert	70 1/2"

THIS DRAWING WAS MADE AND INTENDED FOR USE AS A GUIDE ONLY. ANY PRODUCT SUBSTITUTION OR VARIANCE MAY COMPROMISE THE STRUCTURE, DESIGN AND PERFORMANCE OF THE PRODUCT. NO WARRANTY IS EXPRESSED OR IMPLIED BY THIS DRAWING AND PLY GEM FENCE & RAIL.

72" H x 72" W Classic Privacy

with 2 x 7 Rails & 7/8 x 6 Non-Locking T&G Pickets



**Aluminum insert required on Khaki and all Woodland Select colors.

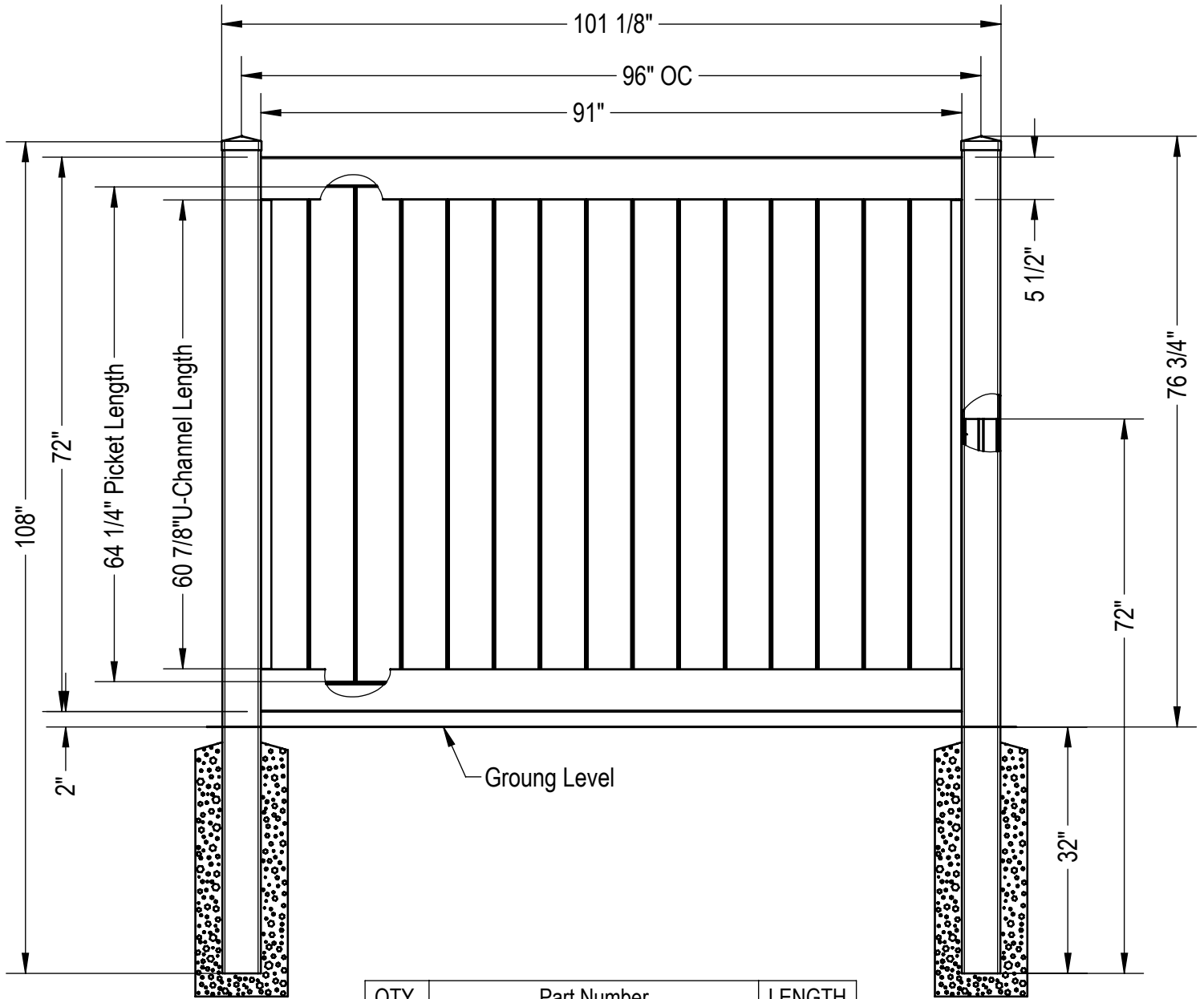
THIS DRAWING WAS MADE AND INTENDED FOR USE AS A GUIDE ONLY. ANY PRODUCT SUBSTITUTION OR VARIANCE MAY COMPROMISE THE STRUCTURE, DESIGN AND PERFORMANCE OF THE PRODUCT. NO WARRANTY IS EXPRESSED OR IMPLIED BY THIS DRAWING AND PLY GEM FENCE & RAIL.

P427

Sheet 2 of 2
03-22-19

70" H x 96" W Classic Privacy

with 2 x 7 Rails & 7/8 x 6 Non-Locking T&G Pickets



QTY.	Part Number	LENGTH
2	5 x 5 Post	108"
2	5 x 5 Post Tower Insert	72"
2	1 1/2 x 5 1/2 Slotted Rail	94 1/2"
15	7/8 x 6 Non-Locking T&G	64 1/4"
2	7/8 U-Channel	60 7/8"
6	#10 x 3/4" Screw	
2	5 x 5 External Long Cap	
	Insert for Khaki and WS colors	
1	1 1/2 x 5 1/2 Sltd Insert	94 1/2"

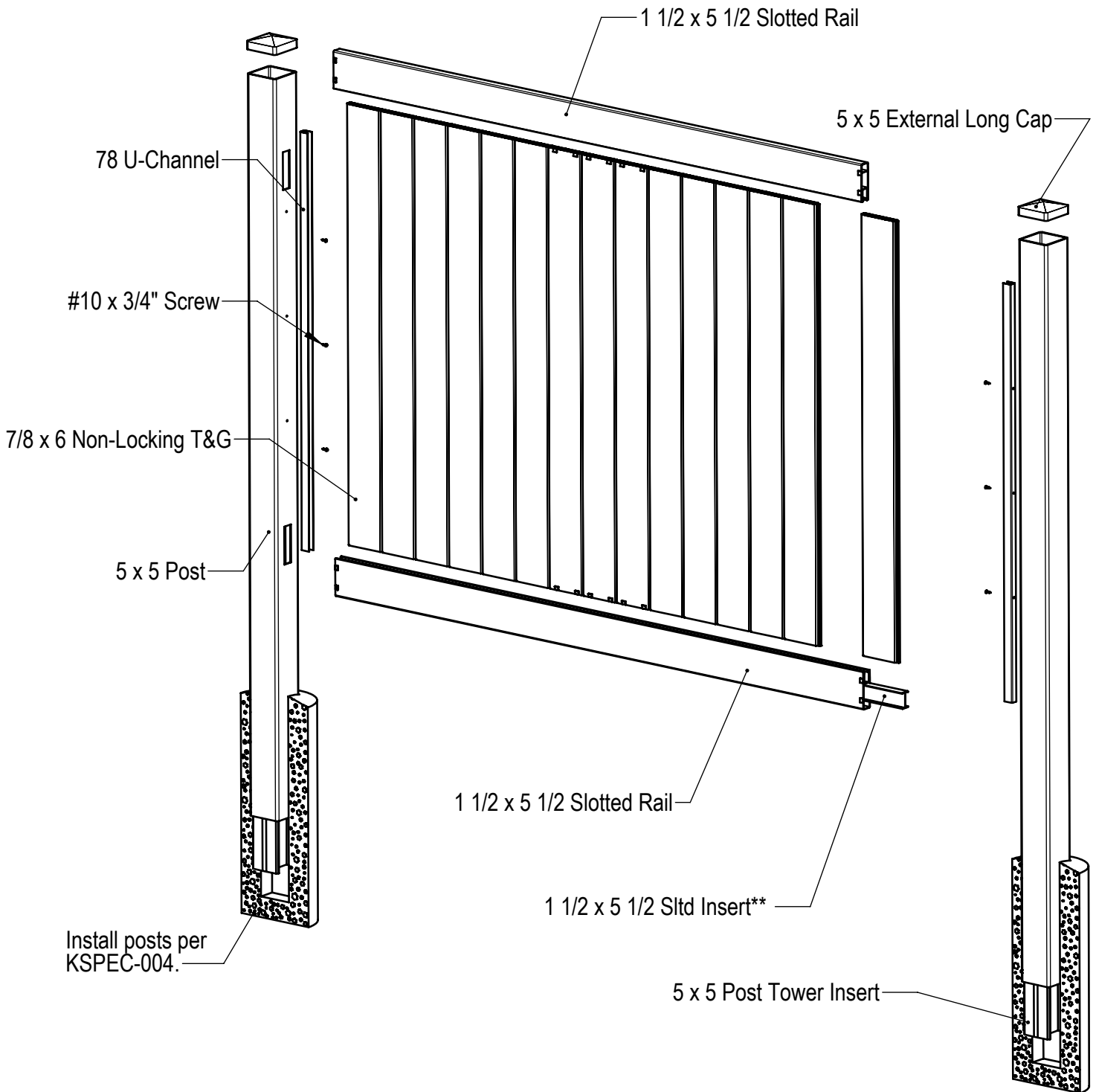
THIS DRAWING WAS MADE AND INTENDED FOR USE AS A GUIDE ONLY. ANY PRODUCT SUBSTITUTION OR VARIANCE MAY COMPROMISE THE STRUCTURE, DESIGN AND PERFORMANCE OF THE PRODUCT. NO WARRANTY IS EXPRESSED OR IMPLIED BY THIS DRAWING AND PLY GEM FENCE & RAIL.

P428

Sheet 1 of 2
03-22-19

70" H x 96" W Classic Privacy

with 2 x 7 Rails & 7/8 x 6 Non-Locking T&G Pickets



**Aluminum insert required on Khaki and all Woodland Select colors.

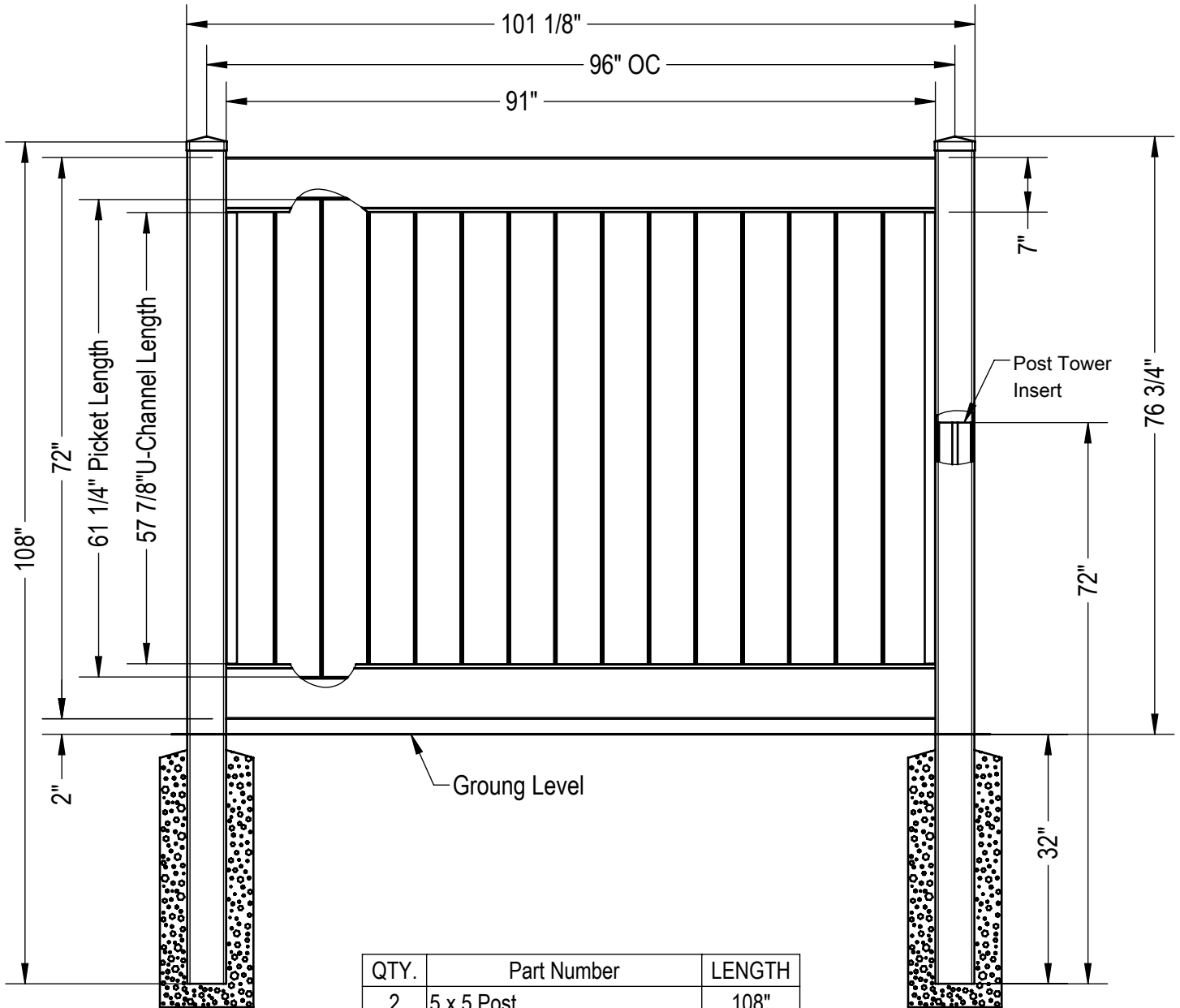
THIS DRAWING WAS MADE AND INTENDED FOR USE AS A GUIDE ONLY. ANY PRODUCT SUBSTITUTION OR VARIANCE MAY COMPROMISE THE STRUCTURE, DESIGN AND PERFORMANCE OF THE PRODUCT. NO WARRANTY IS EXPRESSED OR IMPLIED BY THIS DRAWING AND PLY GEM FENCE & RAIL.

P428

Sheet 2 of 2
03-22-19

70" H x 96" W Classic Privacy

with 2 x 7 Rails & 7/8 x 6 Non-Locking T&G Pickets



QTY.	Part Number	LENGTH
2	5 x 5 Post	108"
2	5 x 5 Post Tower Insert	72"
2	2 x 7 Slotted Rail	94 1/2"
15	7/8 x 6 Non-Locking T&G	61 1/4"
2	7/8 U-Channel	57 7/8"
6	#10 x 3/4" Screw	
2	5 x 5 External Long Cap	
	Insert for Khaki and WS colors	
1	2 x 7 H-Channel Insert	94 1/2"

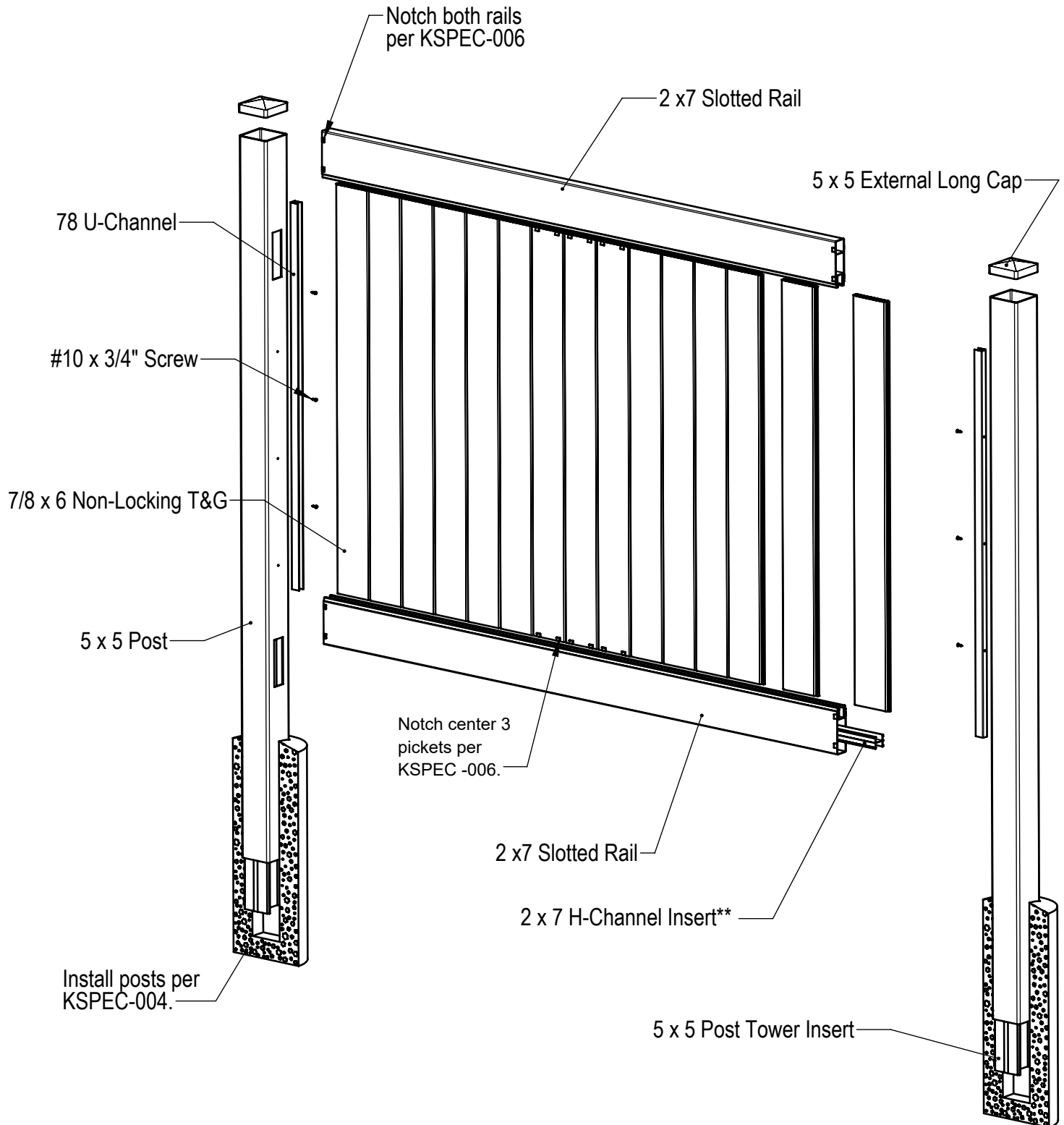
THIS DRAWING WAS MADE AND INTENDED FOR USE AS A GUIDE ONLY. ANY PRODUCT SUBSTITUTION OR VARIANCE MAY COMPROMISE THE STRUCTURE, DESIGN AND PERFORMANCE OF THE PRODUCT. NO WARRANTY IS EXPRESSED OR IMPLIED BY THIS DRAWING AND PLY GEM FENCE & RAIL.

P429

Sheet 1 of 2
03-22-19

70" H x 96" W Classic Privacy

with 2 x 7 Rails & 7/8 x 6 Non-Locking T&G Pickets

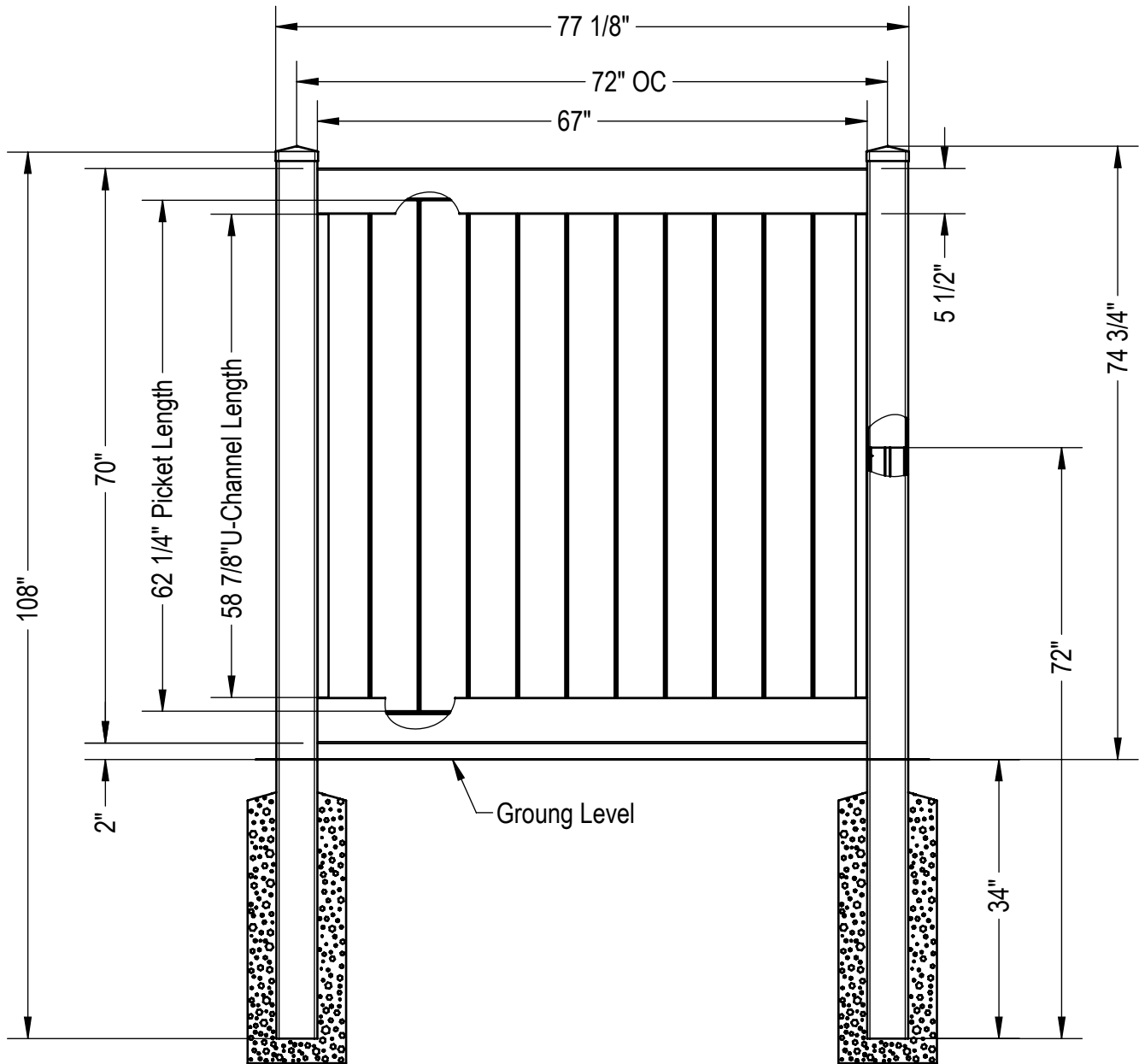


** Aluminum insert required on Khaki and all Woodland Select colors.

THIS DRAWING WAS MADE AND INTENDED FOR USE AS A GUIDE ONLY. ANY PRODUCT SUBSTITUTION OR VARIANCE MAY COMPROMISE THE STRUCTURE, DESIGN AND PERFORMANCE OF THE PRODUCT. NO WARRANTY IS EXPRESSED OR IMPLIED BY THIS DRAWING AND PLY GEM FENCE & RAIL.

70" H x 72" W Classic Privacy

with 1 1/2 x 5 1/2 Rail & 7/8 x 6 Non-Locking T&G Picket

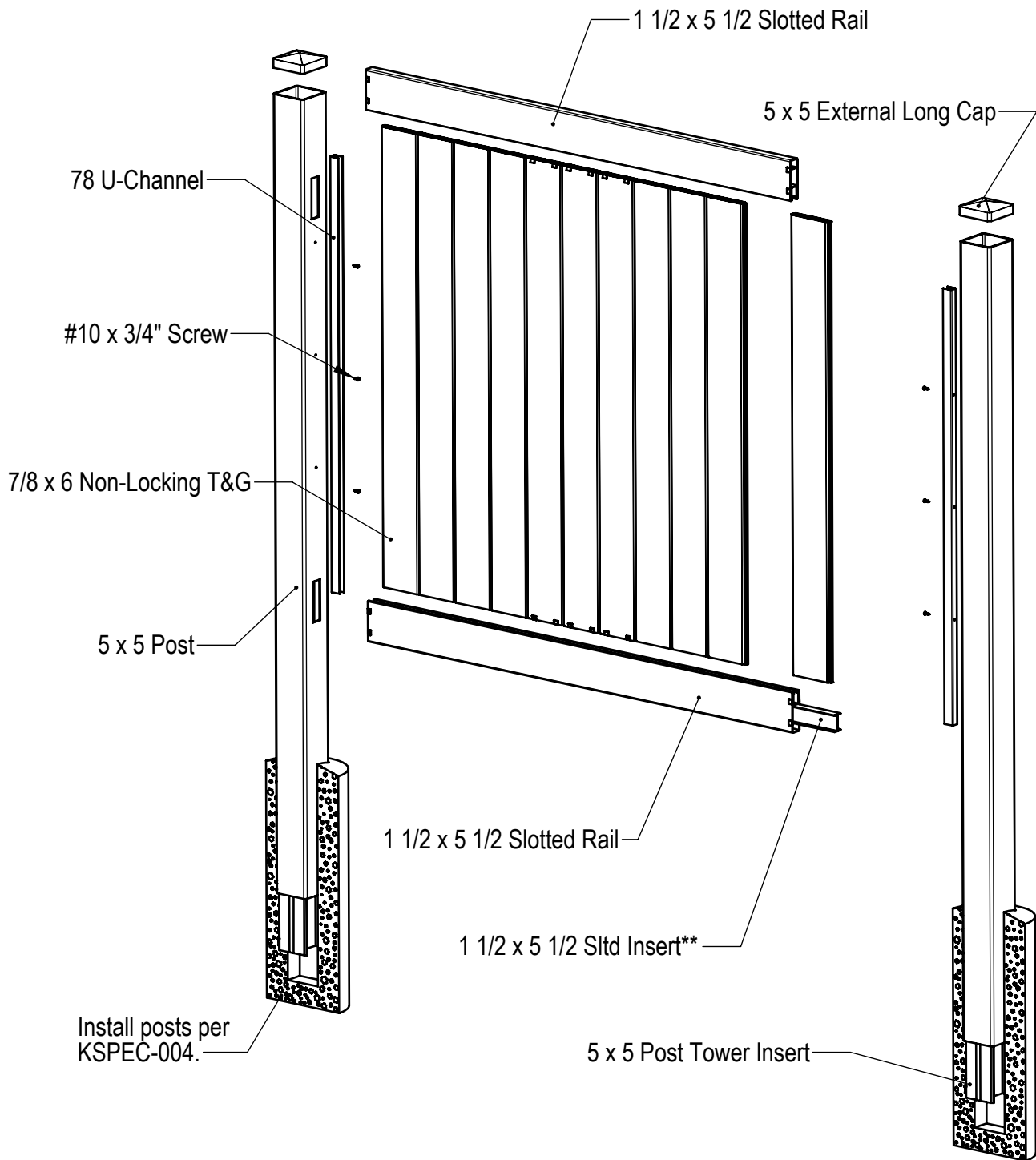


QTY.	Part Number	LENGTH
2	5 x 5 Post	108"
2	5 x 5 Post Tower Insert	72"
2	1 1/2 x 5 1/2 Slotted Rail	70 1/2"
11	7/8 x 6 Non-Locking T&G	62 1/4"
2	7/8 U-Channel	58 7/8"
6	#10 x 3/4" Screw	
2	5 x 5 External Long Cap	
	Insert for Khaki and WS colors	
1	1 1/2 x 5 1/2 Sltd Insert	70 1/2"

THIS DRAWING WAS MADE AND INTENDED FOR USE AS A GUIDE ONLY. ANY PRODUCT SUBSTITUTION OR VARIANCE MAY COMPROMISE THE STRUCTURE, DESIGN AND PERFORMANCE OF THE PRODUCT. NO WARRANTY IS EXPRESSED OR IMPLIED BY THIS DRAWING AND PLY GEM FENCE & RAIL.

70" H x 72" W Classic Privacy

with 1 1/2 x 5 1/2 Rail & 7/8 x 6 Non-Locking T&G Picket

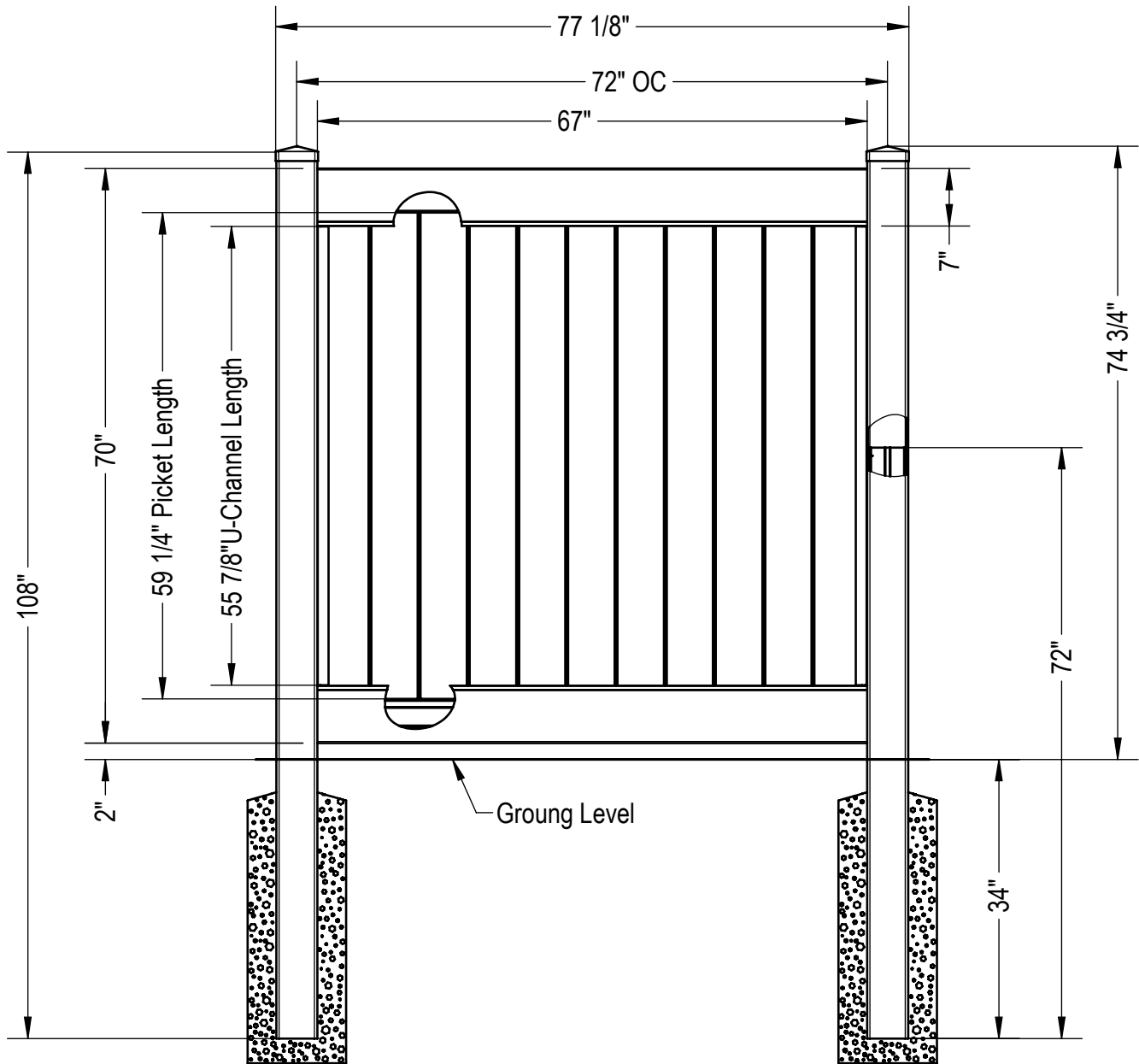


**Aluminum insert required on Khaki and all Woodland Select colors.

THIS DRAWING WAS MADE AND INTENDED FOR USE AS A GUIDE ONLY. ANY PRODUCT SUBSTITUTION OR VARIANCE MAY COMPROMISE THE STRUCTURE, DESIGN AND PERFORMANCE OF THE PRODUCT. NO WARRANTY IS EXPRESSED OR IMPLIED BY THIS DRAWING AND PLY GEM FENCE & RAIL.

70" H x 72" W Classic Privacy

with 2 x 7 Rails & 7/8 x 6 Non-Locking T&G Pickets

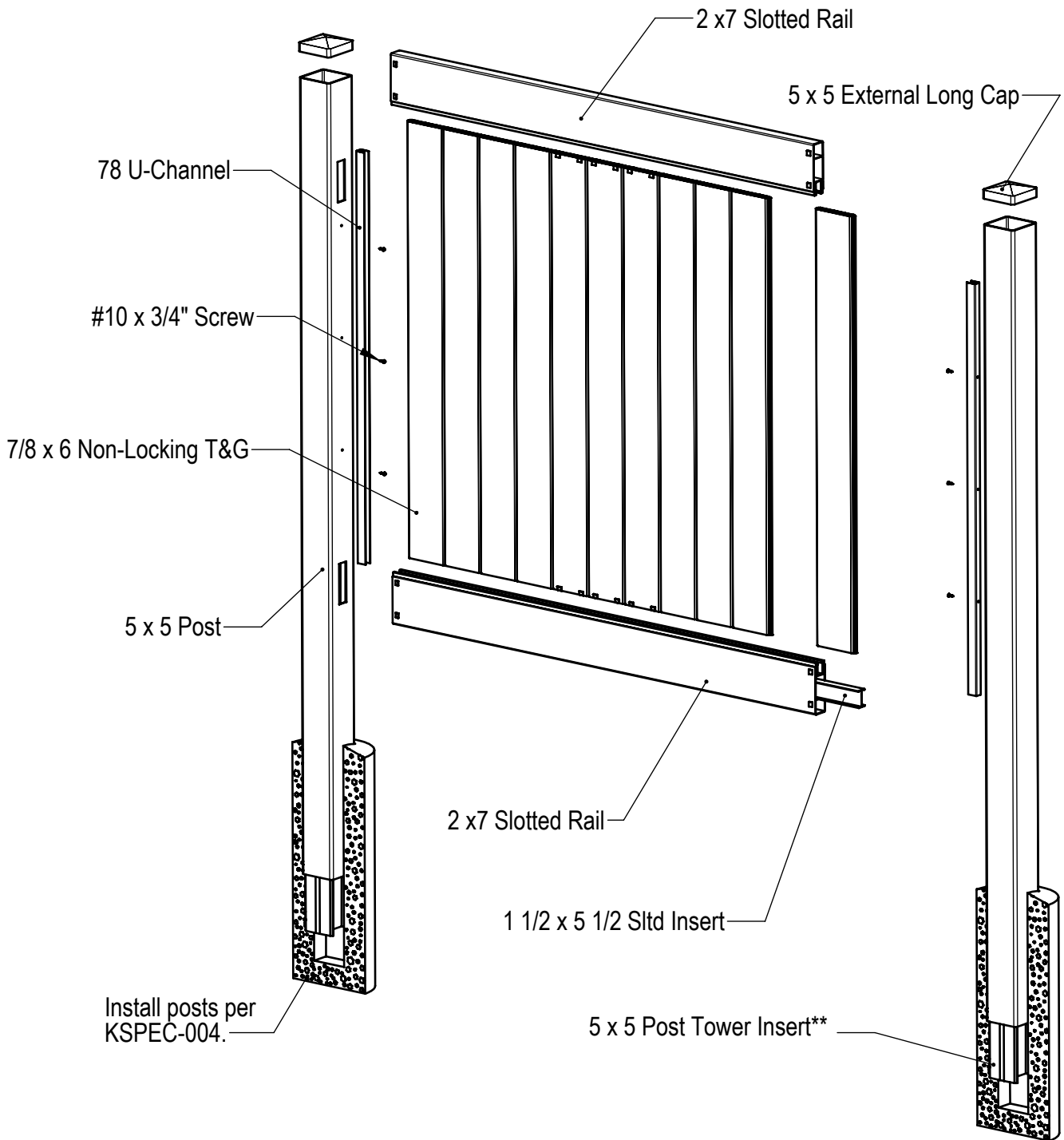


QTY.	Part Number	LENGTH
2	5 x 5 Post	108"
2	5 x 5 Post Tower Insert	72"
2	2 x 7 Slotted Rail	70 1/2"
11	7/8 x 6 Non-Locking T&G	59 1/4"
2	7/8 U-Channel	55 7/8"
6	#10 x 3/4" Screw	
2	5 x 5 External Long Cap	
	Insert for Khaki and WS colors	
1	1 1/2 x 5 1/2 Sltd Insert	70 1/2"

THIS DRAWING WAS MADE AND INTENDED FOR USE AS A GUIDE ONLY. ANY PRODUCT SUBSTITUTION OR VARIANCE MAY COMPROMISE THE STRUCTURE, DESIGN AND PERFORMANCE OF THE PRODUCT. NO WARRANTY IS EXPRESSED OR IMPLIED BY THIS DRAWING AND PLY GEM FENCE & RAIL.

70" H x 72" W Classic Privacy

with 2 x 7 Rails & 7/8 x 6 Non-Locking T&G Pickets



**Aluminum insert required on Khaki and all Woodland Select colors.

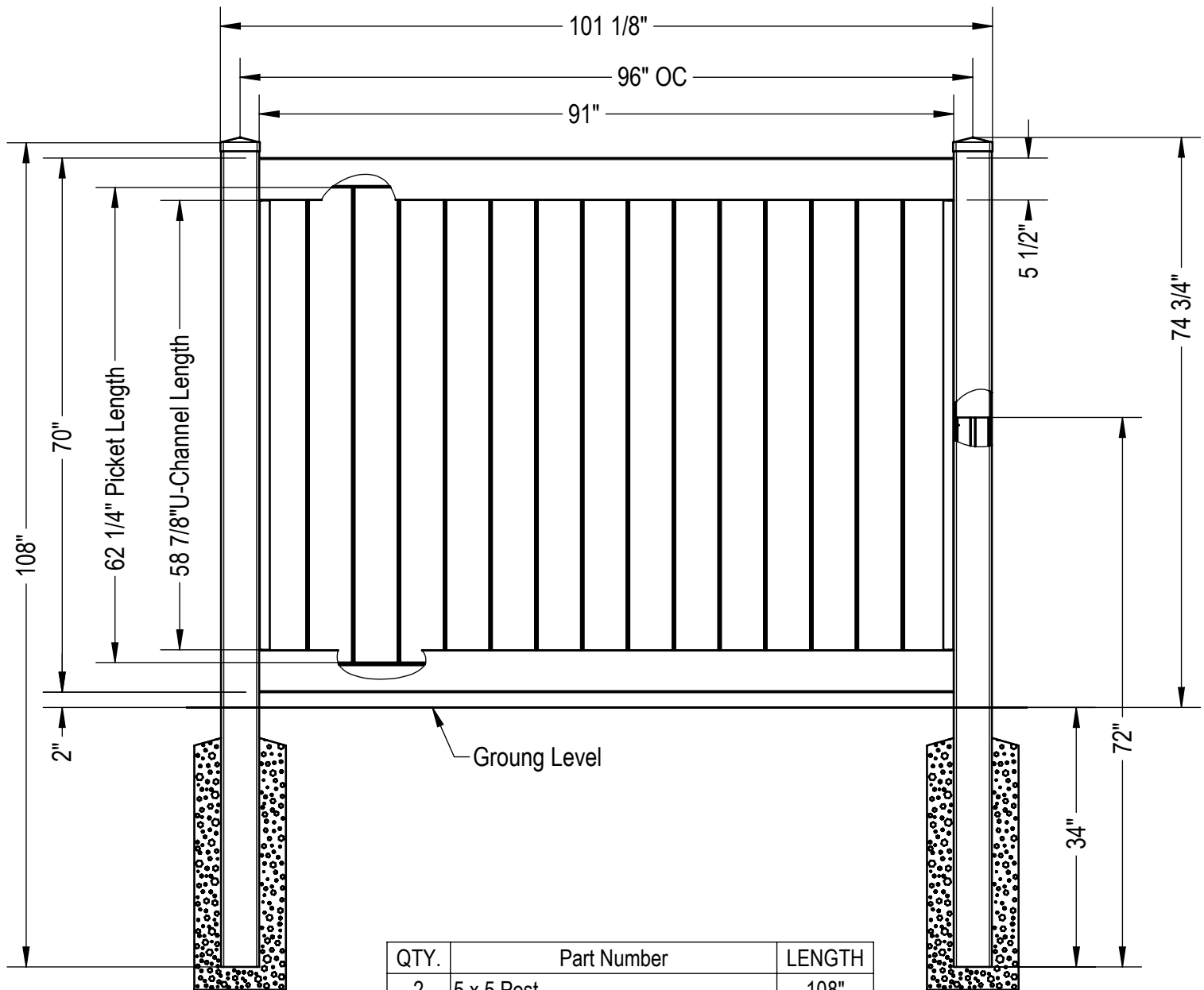
THIS DRAWING WAS MADE AND INTENDED FOR USE AS A GUIDE ONLY. ANY PRODUCT SUBSTITUTION OR VARIANCE MAY COMPROMISE THE STRUCTURE, DESIGN AND PERFORMANCE OF THE PRODUCT. NO WARRANTY IS EXPRESSED OR IMPLIED BY THIS DRAWING AND PLY GEM FENCE & RAIL.

P431

Sheet 2 of 2
04-19-19

70" H x 96" W Classic Privacy

with 1 1/2 x 5 1/2 Rail & 7/8 x 6 T&G Picket



QTY.	Part Number	LENGTH
2	5 x 5 Post	108"
2	5 x 5 Post Tower Insert	72"
2	1 1/2 x 5 1/2 Slotted Rail	94 1/2"
15	7/8 x 6 Non-Locking T&G	62 1/4"
2	7/8 U-Channel	58 7/8"
6	#10 x 3/4" Screw	
2	5 x 5 External Long Cap	
	Insert for Khaki and WS colors	
1	1 1/2 x 5 1/2 Sltd Insert	94 1/2"

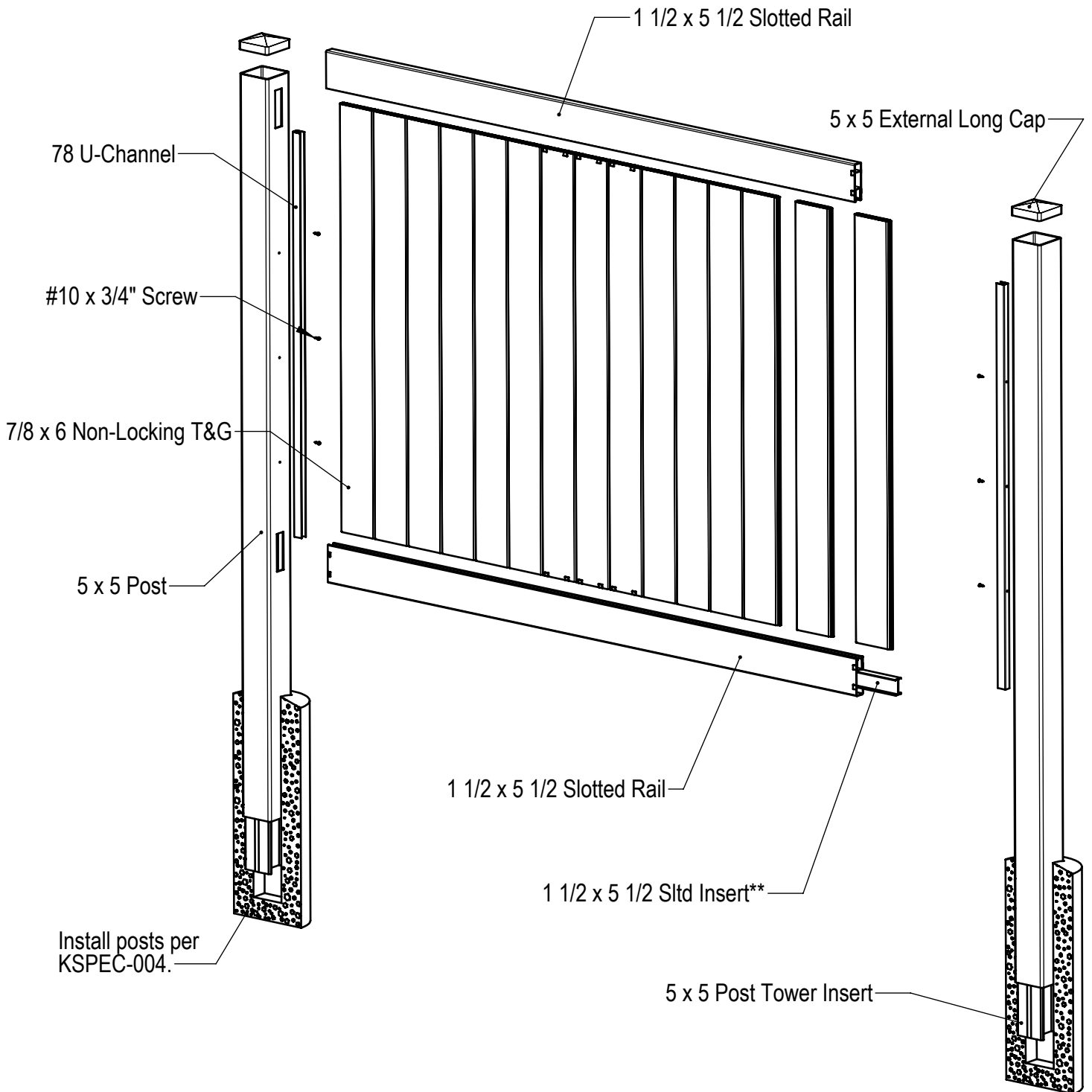
THIS DRAWING WAS MADE AND INTENDED FOR USE AS A GUIDE ONLY. ANY PRODUCT SUBSTITUTION OR VARIANCE MAY COMPROMISE THE STRUCTURE, DESIGN AND PERFORMANCE OF THE PRODUCT. NO WARRANTY IS EXPRESSED OR IMPLIED BY THIS DRAWING AND PLY GEM FENCE & RAIL.

P432

Sheet 1 of 2
04-19-19

70" H x 96" W Classic Privacy

with 1 1/2 x 5 1/2 Rail & 7/8 x 6 T&G Picketet



**Aluminum insert required on Khaki and all Woodland Select colors.

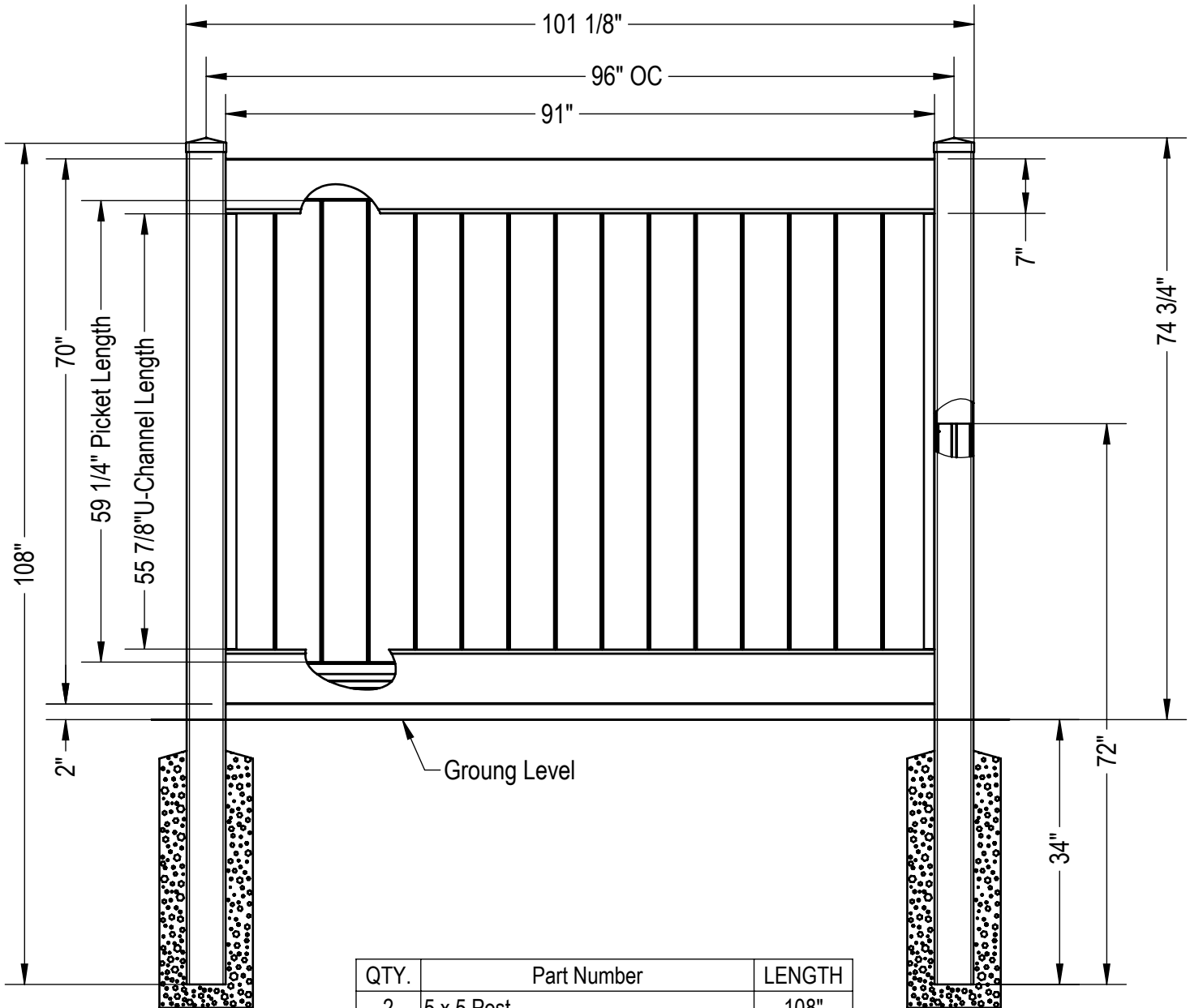
THIS DRAWING WAS MADE AND INTENDED FOR USE AS A GUIDE ONLY. ANY PRODUCT SUBSTITUTION OR VARIANCE MAY COMPROMISE THE STRUCTURE, DESIGN AND PERFORMANCE OF THE PRODUCT. NO WARRANTY IS EXPRESSED OR IMPLIED BY THIS DRAWING AND PLY GEM FENCE & RAIL.

P432

Sheet 2 of 2
04-19-19

70" H x 96" W Classic Privacy

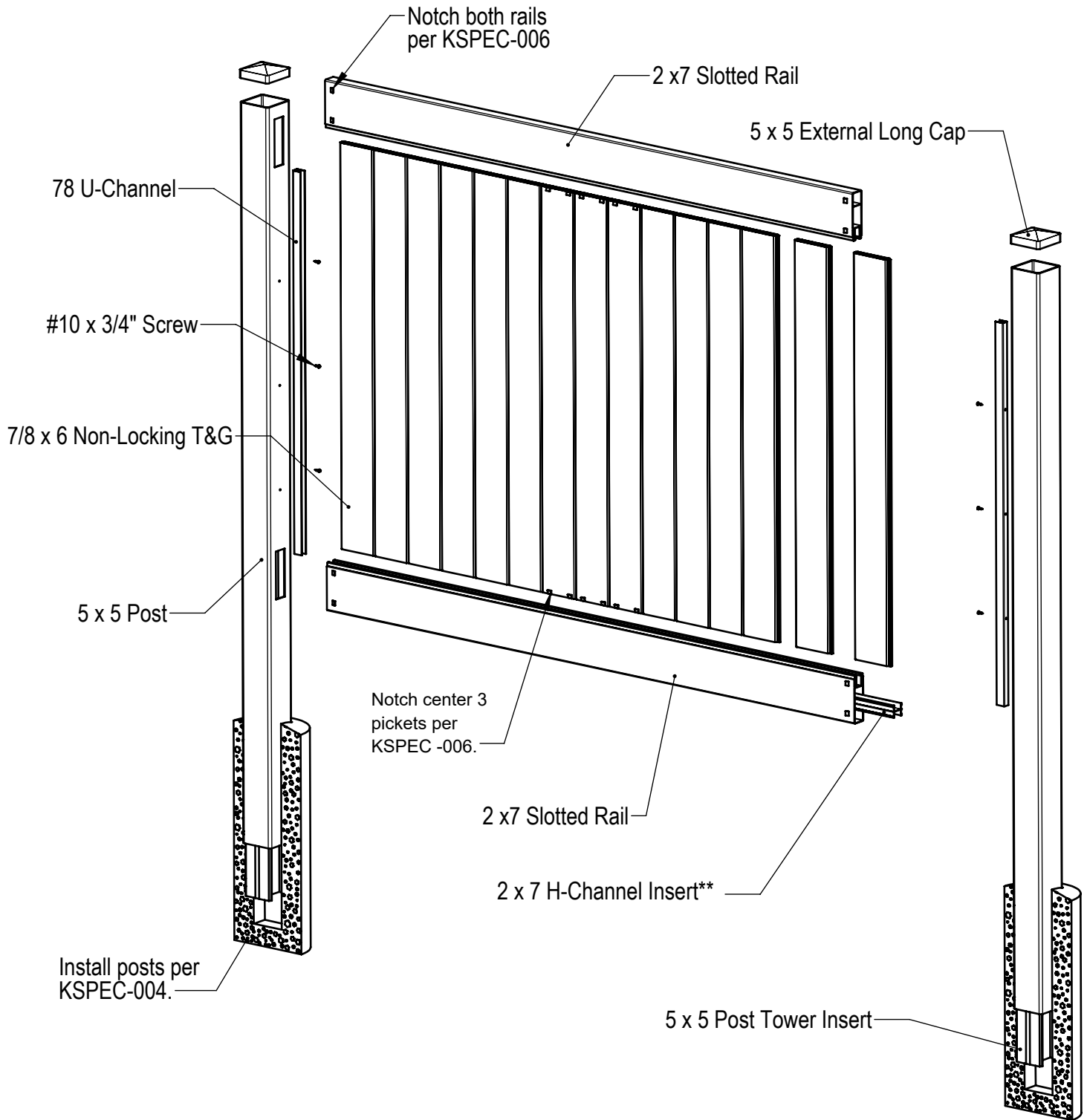
with 2 x 7 Rails & 7/8 x 6 Non-Locking T&G Pickets



QTY.	Part Number	LENGTH
2	5 x 5 Post	108"
2	5 x 5 Post Tower Insert	72"
2	2 x7 Slotted Rail	94 1/2"
15	7/8 x 6 Non-Locking T&G	59 1/4"
2	7/8 U-Channel	55 7/8"
6	#10 x 3/4" Screw	
2	5 x 5 External Long Cap	
	Insert for Khaki and WS colors	
1	2 x 7 H-Channel Insert	94 1/2"

THIS DRAWING WAS MADE AND INTENDED FOR USE AS A GUIDE ONLY. ANY PRODUCT SUBSTITUTION OR VARIANCE MAY COMPROMISE THE STRUCTURE, DESIGN AND PERFORMANCE OF THE PRODUCT. NO WARRANTY IS EXPRESSED OR IMPLIED BY THIS DRAWING AND PLY GEM FENCE & RAIL.

70" H x 96" W Classic Privacy with 2 x 7 Rails & 7/8 x 6 Non-Locking T&G Pickets



**Aluminum insert required on Khaki and all Woodland Select colors.

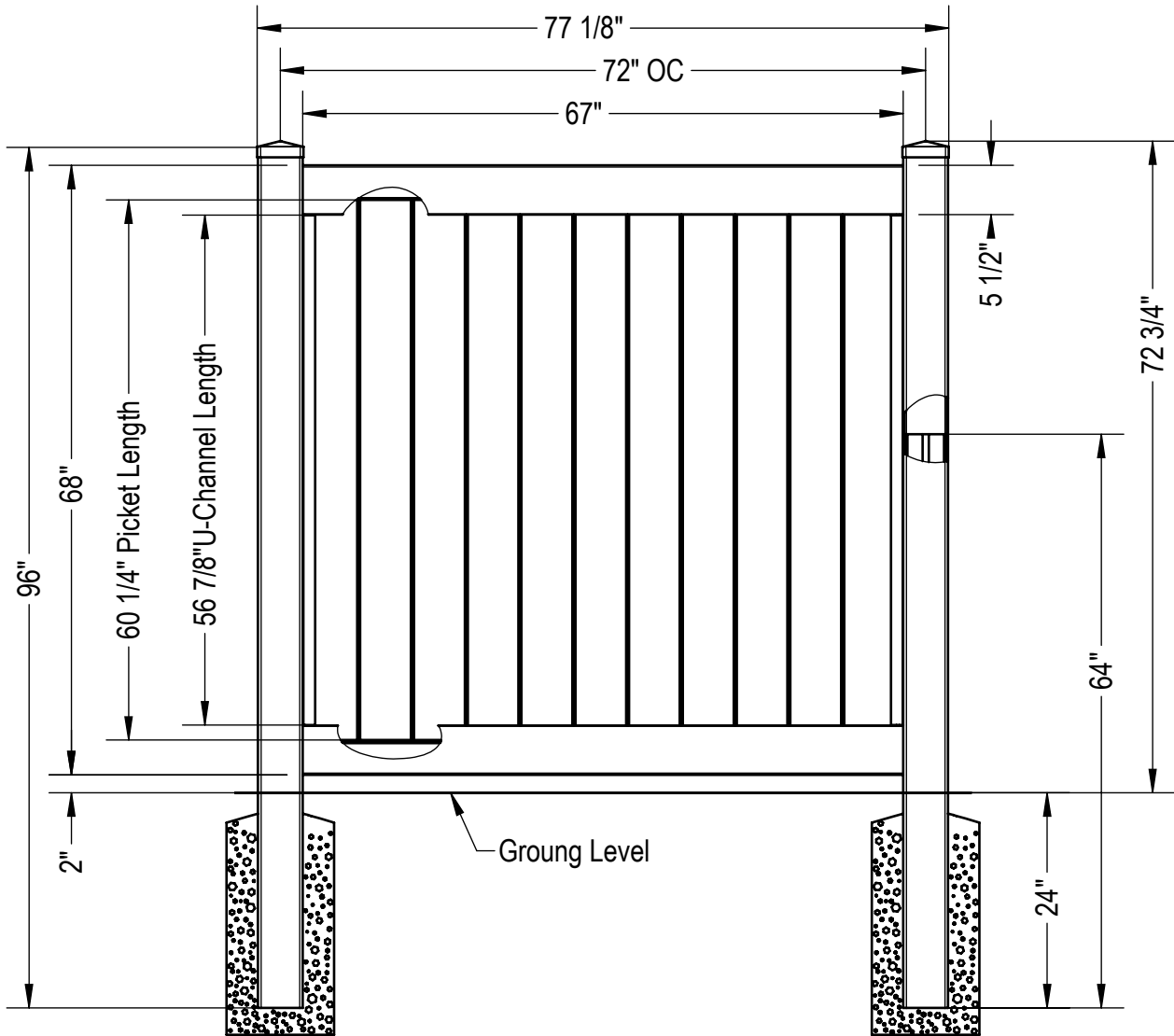
THIS DRAWING WAS MADE AND INTENDED FOR USE AS A GUIDE ONLY. ANY PRODUCT SUBSTITUTION OR VARIANCE MAY COMPROMISE THE STRUCTURE, DESIGN AND PERFORMANCE OF THE PRODUCT. NO WARRANTY IS EXPRESSED OR IMPLIED BY THIS DRAWING AND PLY GEM FENCE & RAIL.

P433

Sheet 2 of 2
04-19-19

68" H x 96" W Classic Privacy

with 1 1/2 x 5 1/2 Rail & 7/8 x 6 Non-Locking T&G Picket

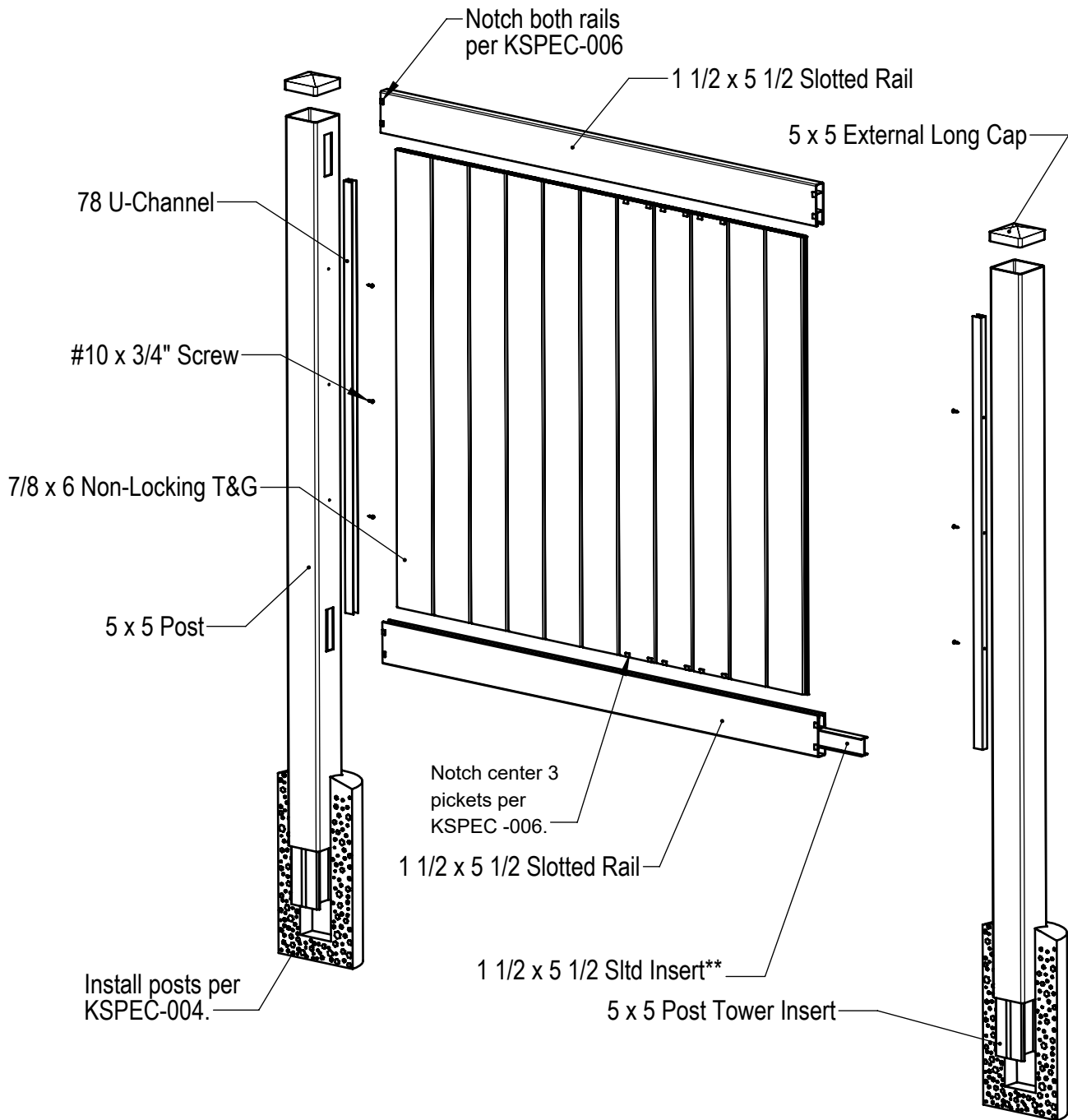


QTY.	Part Number	LENGTH
2	5 x 5 Post	96"
2	5 x 5 Post Tower Insert	64"
2	1 1/2 x 5 1/2 Slotted Rail	70 1/2"
11	7/8 x 6 Non-Locking T&G	60 1/4"
2	7/8 U-Channel	56 7/8"
6	#10 x 3/4" Screw	
2	5 x 5 External Long Cap	
	Insert for Khaki and WS colors	
1	1 1/2 x 5 1/2 Sltd Insert	70 1/2"

THIS DRAWING WAS MADE AND INTENDED FOR USE AS A GUIDE ONLY. ANY PRODUCT SUBSTITUTION OR VARIANCE MAY COMPROMISE THE STRUCTURE, DESIGN AND PERFORMANCE OF THE PRODUCT. NO WARRANTY IS EXPRESSED OR IMPLIED BY THIS DRAWING AND PLY GEM FENCE & RAIL.

68" H x 96" W Classic Privacy

with 1 1/2 x 5 1/2 Rail & 7/8 x 6 Non-Locking T&G Picket



**Aluminum insert required on Khaki and all Woodland Select colors.

THIS DRAWING WAS MADE AND INTENDED FOR USE AS A GUIDE ONLY. ANY PRODUCT SUBSTITUTION OR VARIANCE MAY COMPROMISE THE STRUCTURE, DESIGN AND PERFORMANCE OF THE PRODUCT. NO WARRANTY IS EXPRESSED OR IMPLIED BY THIS DRAWING AND PLY GEM FENCE & RAIL.

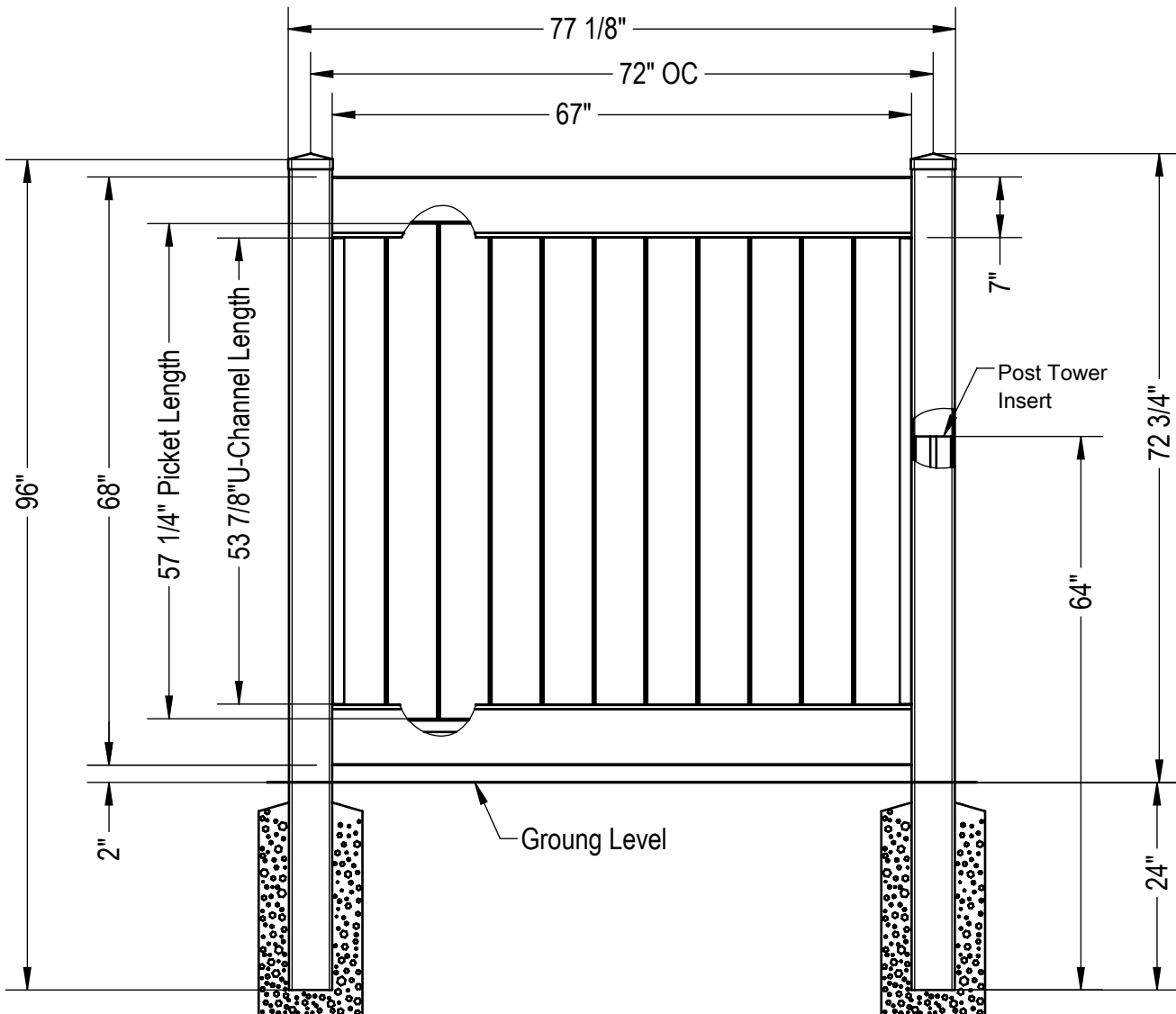
DRAWINGS ARE CONFIDENTIAL AND ARE THE PROPERTY OF PLY GEM FENCE & RAILING © MAR 2019.

P434

Sheet 2 of 2
04-19-19

68" H x 96" W Classic Privacy

with 2 x 7 Rails & 7/8 x 6 Non-Locking T&G Pickets



QTY.	Part Number	LENGTH
2	5 x 5 Post RW	96"
2	5 x 5 Post Tower Insert	64"
2	2 x 7 Slotted Rail	70 1/2"
11	7/8 x 6 Non-Locking T&G	57 1/4"
2	7/8 U-Channel	53 7/8"
6	#10 x 3/4" Screw	
2	5 x 5 External Long Cap	
	Insert for Khaki and WS colors	
1	2 x 7 H-Channel Insert	70 1/2"

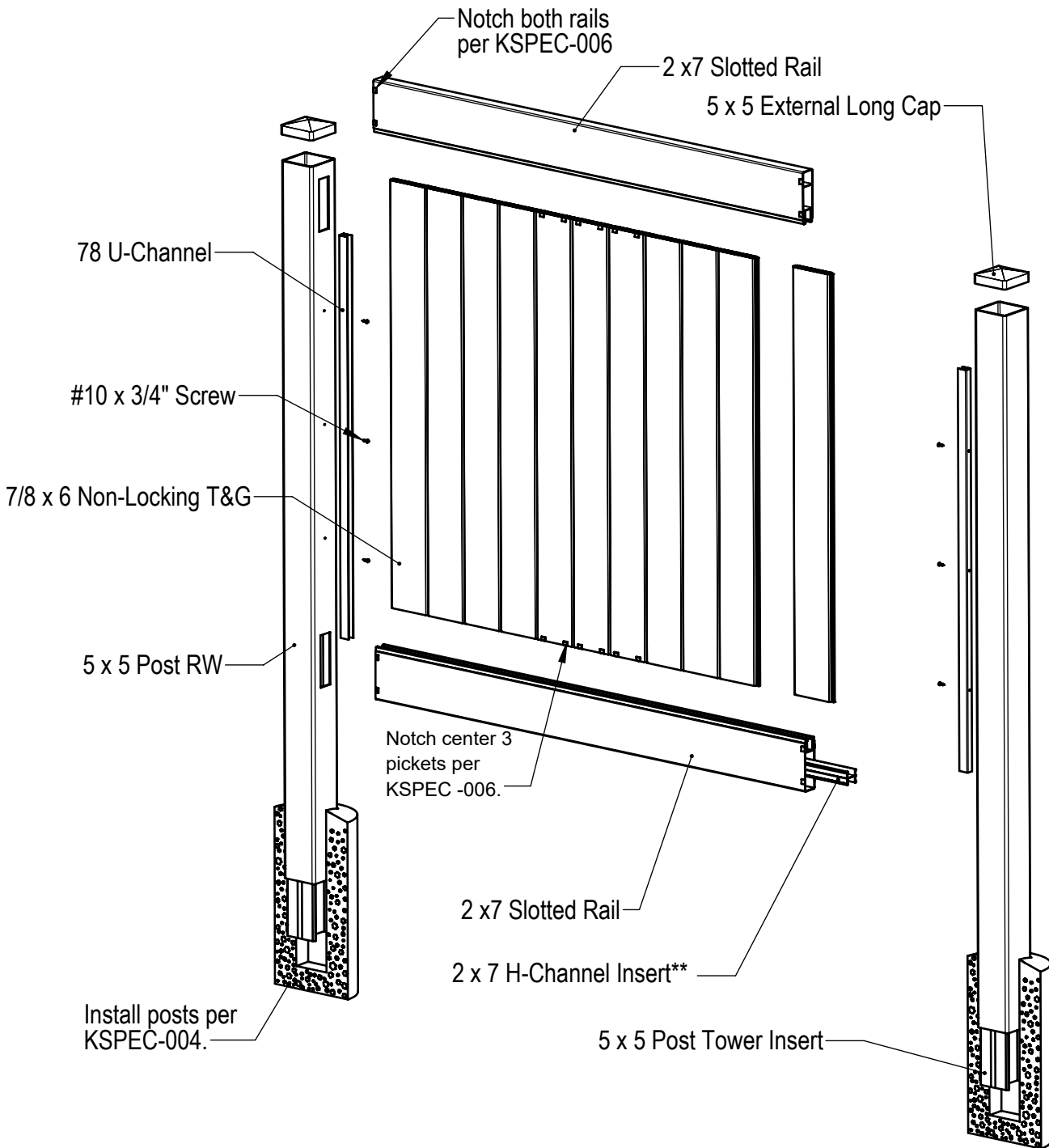
THIS DRAWING WAS MADE AND INTENDED FOR USE AS A GUIDE ONLY. ANY PRODUCT SUBSTITUTION OR VARIANCE MAY COMPROMISE THE STRUCTURE, DESIGN AND PERFORMANCE OF THE PRODUCT. NO WARRANTY IS EXPRESSED OR IMPLIED BY THIS DRAWING AND PLY GEM FENCE & RAIL.

P435

Sheet 1 of 2
04-25-19

68" H x 96" W Classic Privacy

with 2 x 7 Rails & 7/8 x 6 Non-Locking T&G Pickets

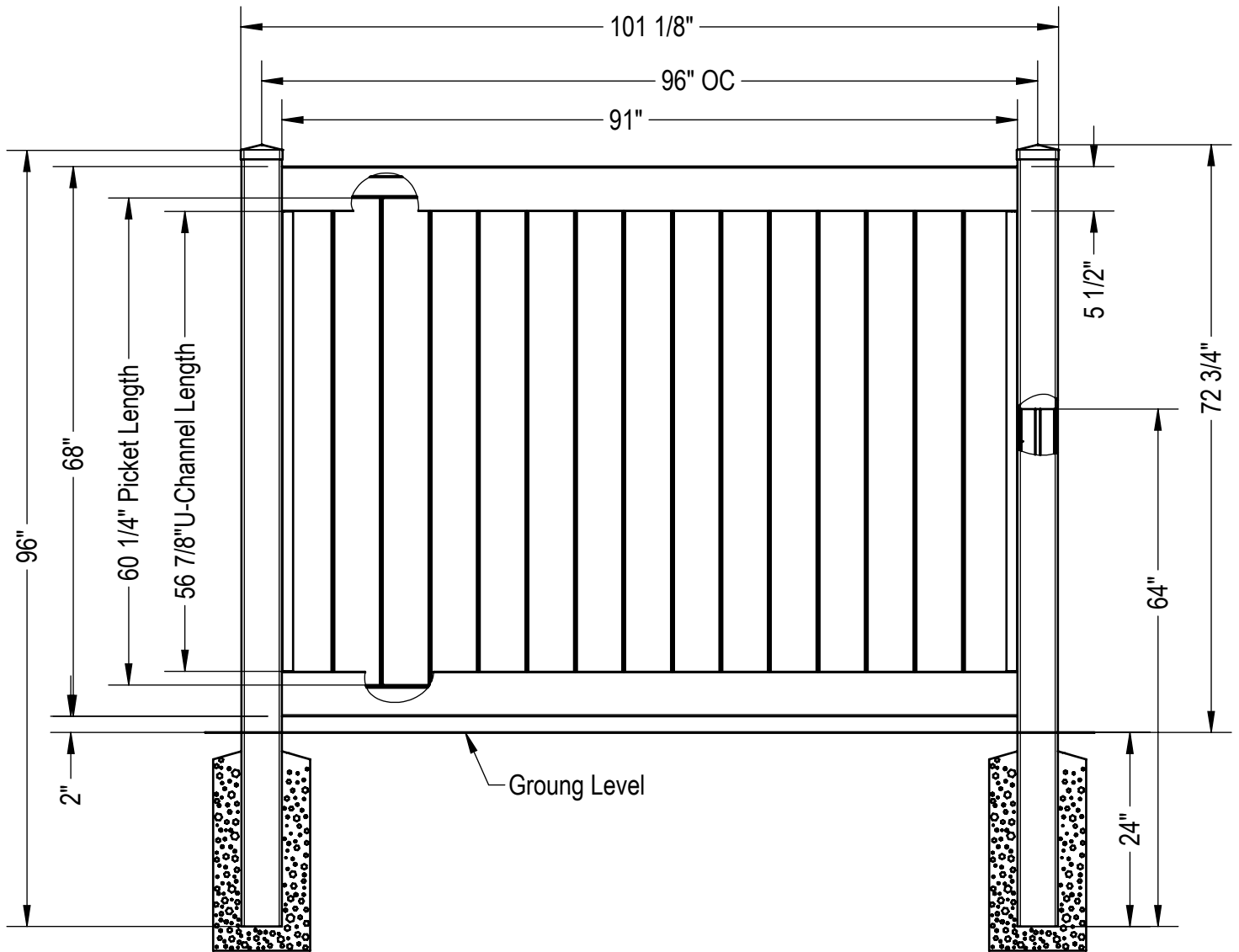


****Aluminum insert required on Khaki and all Woodland Select colors.**

THIS DRAWING WAS MADE AND INTENDED FOR USE AS A GUIDE ONLY. ANY PRODUCT SUBSTITUTION OR VARIANCE MAY COMPROMISE THE STRUCTURE, DESIGN AND PERFORMANCE OF THE PRODUCT. NO WARRANTY IS EXPRESSED OR IMPLIED BY THIS DRAWING AND PLY GEM FENCE & RAIL.

68" H x 96" W Classic Privacy

with 1 1/2 x 5 1/2 Rail & 7/8 x 6 Non-Locking T&G Picketet

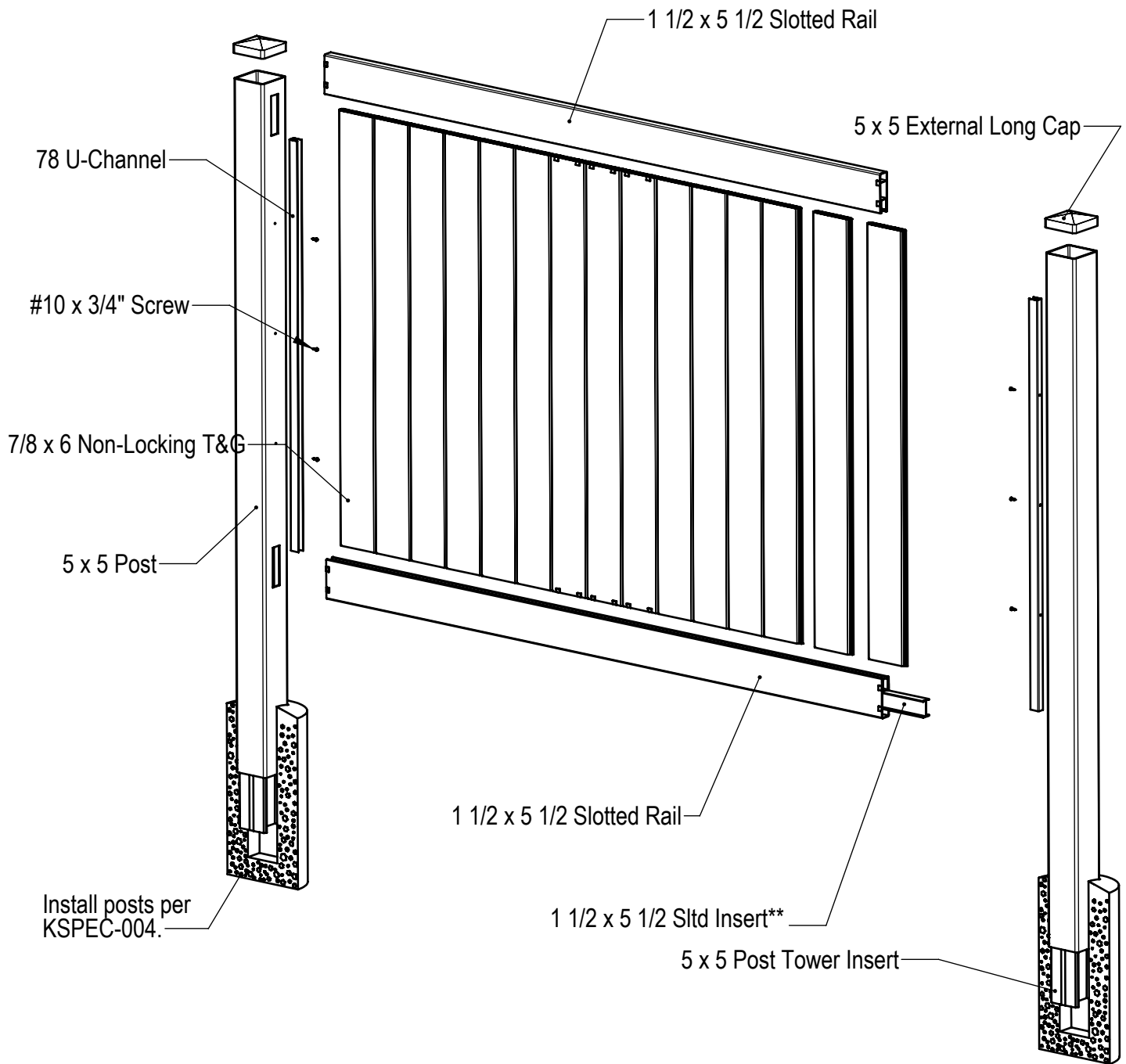


QTY.	Part Number	LENGTH
2	5 x 5 Post	96"
2	5 x 5 Post Tower Insert	64"
2	1 1/2 x 5 1/2 Slotted Rail	94 1/2"
15	7/8 x 6 Non-Locking T&G	60 1/4"
2	7/8 U-Channel	56 7/8"
6	#10 x 3/4" Screw	
2	5 x 5 External Long Cap	
	Insert for Khaki and WS colors	
1	1 1/2 x 5 1/2 Sltd Insert	94 1/2"

THIS DRAWING WAS MADE AND INTENDED FOR USE AS A GUIDE ONLY. ANY PRODUCT SUBSTITUTION OR VARIANCE MAY COMPROMISE THE STRUCTURE, DESIGN AND PERFORMANCE OF THE PRODUCT. NO WARRANTY IS EXPRESSED OR IMPLIED BY THIS DRAWING AND PLY GEM FENCE & RAIL.

68" H x 96" W Classic Privacy

with 1 1/2 x 5 1/2 Rail & 7/8 x 6 Non-Locking T&G Picket



**Aluminum insert required on Khaki and all Woodland Select colors.

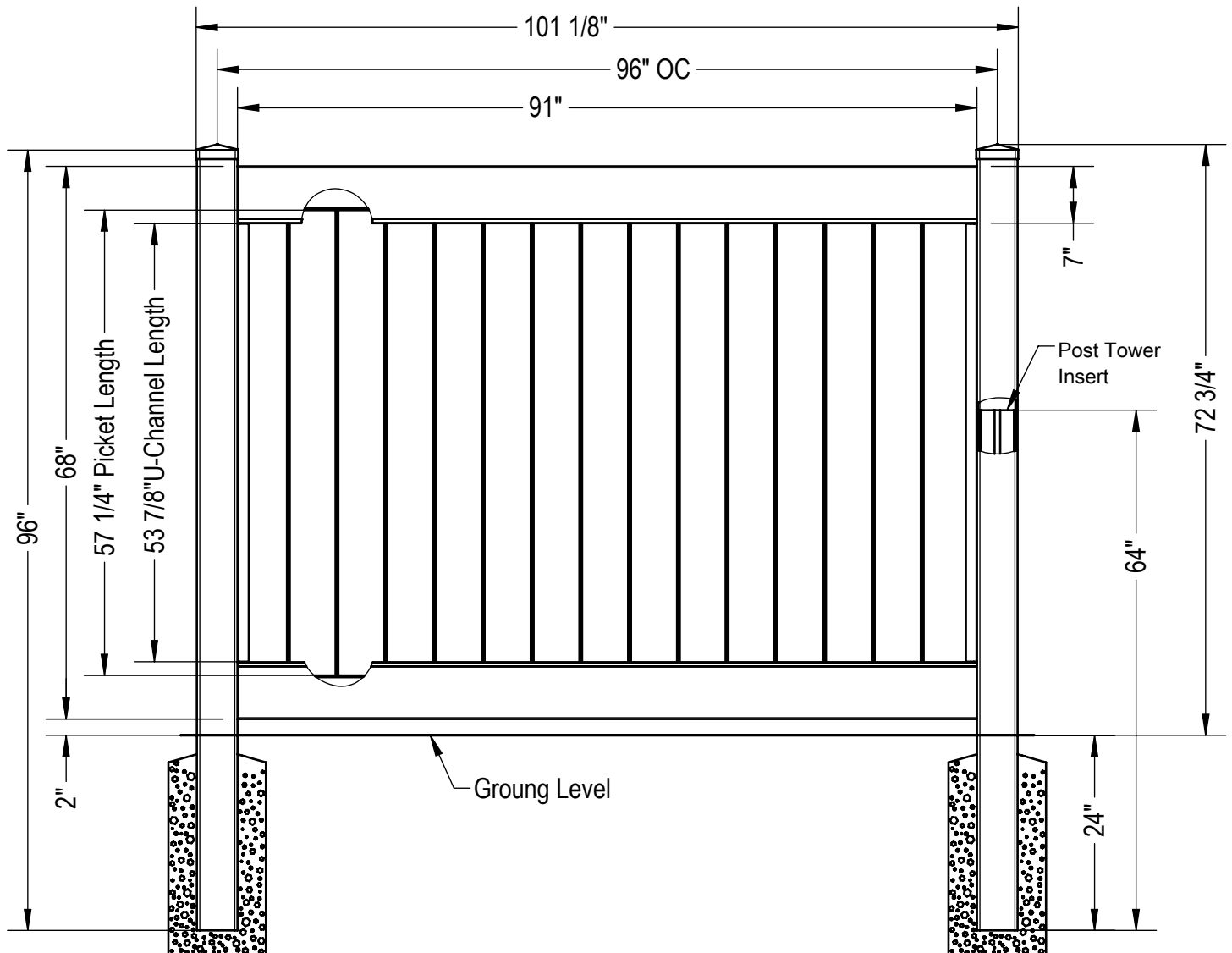
THIS DRAWING WAS MADE AND INTENDED FOR USE AS A GUIDE ONLY. ANY PRODUCT SUBSTITUTION OR VARIANCE MAY COMPROMISE THE STRUCTURE, DESIGN AND PERFORMANCE OF THE PRODUCT. NO WARRANTY IS EXPRESSED OR IMPLIED BY THIS DRAWING AND PLY GEM FENCE & RAIL.

P436

Sheet 2 of 2
04-26-19

68" H x 96" W Classic Privacy

with 2 x 7 Rails & 7/8 x 6 Non-Locking T&G Pickets

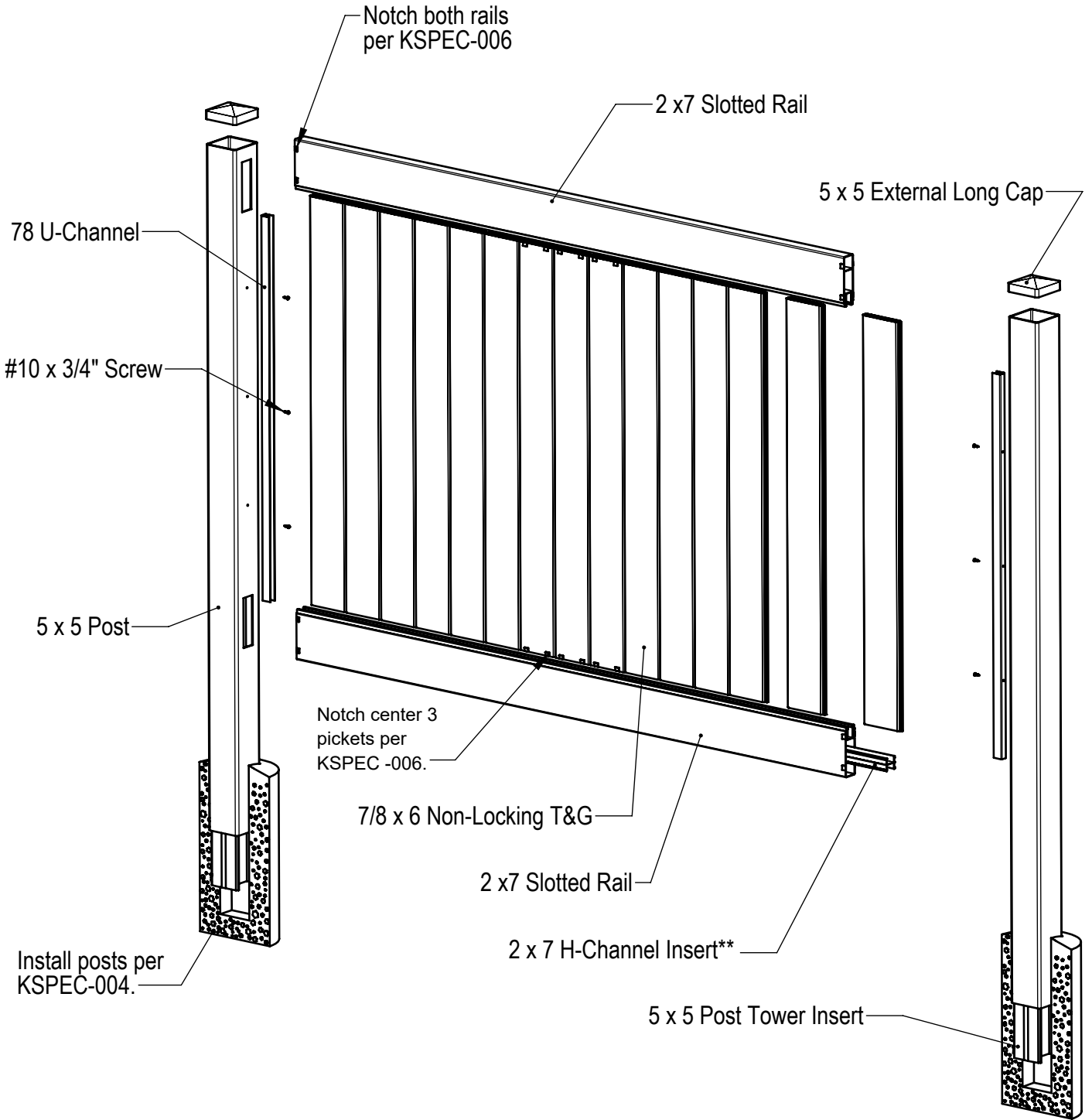


QTY.	Part Number	LENGTH
2	5 x 5 Post	96"
2	5 x 5 Post Tower Insert	64"
2	2 x 7 Slotted Rail	94 1/2"
15	7/8 x 6 Non-Locking T&G	57 1/4"
2	7/8 U-Channel	53 7/8"
6	#10 x 3/4" Screw	
2	5 x 5 External Long Cap	
	Insert for Khaki and WS colors	
1	2 x 7 H-Channel Insert	94 1/2"

THIS DRAWING WAS MADE AND INTENDED FOR USE AS A GUIDE ONLY. ANY PRODUCT SUBSTITUTION OR VARIANCE MAY COMPROMISE THE STRUCTURE, DESIGN AND PERFORMANCE OF THE PRODUCT. NO WARRANTY IS EXPRESSED OR IMPLIED BY THIS DRAWING AND PLY GEM FENCE & RAIL.

68" H x 96" W Classic Privacy

with 2 x 7 Rails & 7/8 x 6 Non-Locking T&G Pickets



** Aluminum insert required on Khaki and all Woodland Select colors.

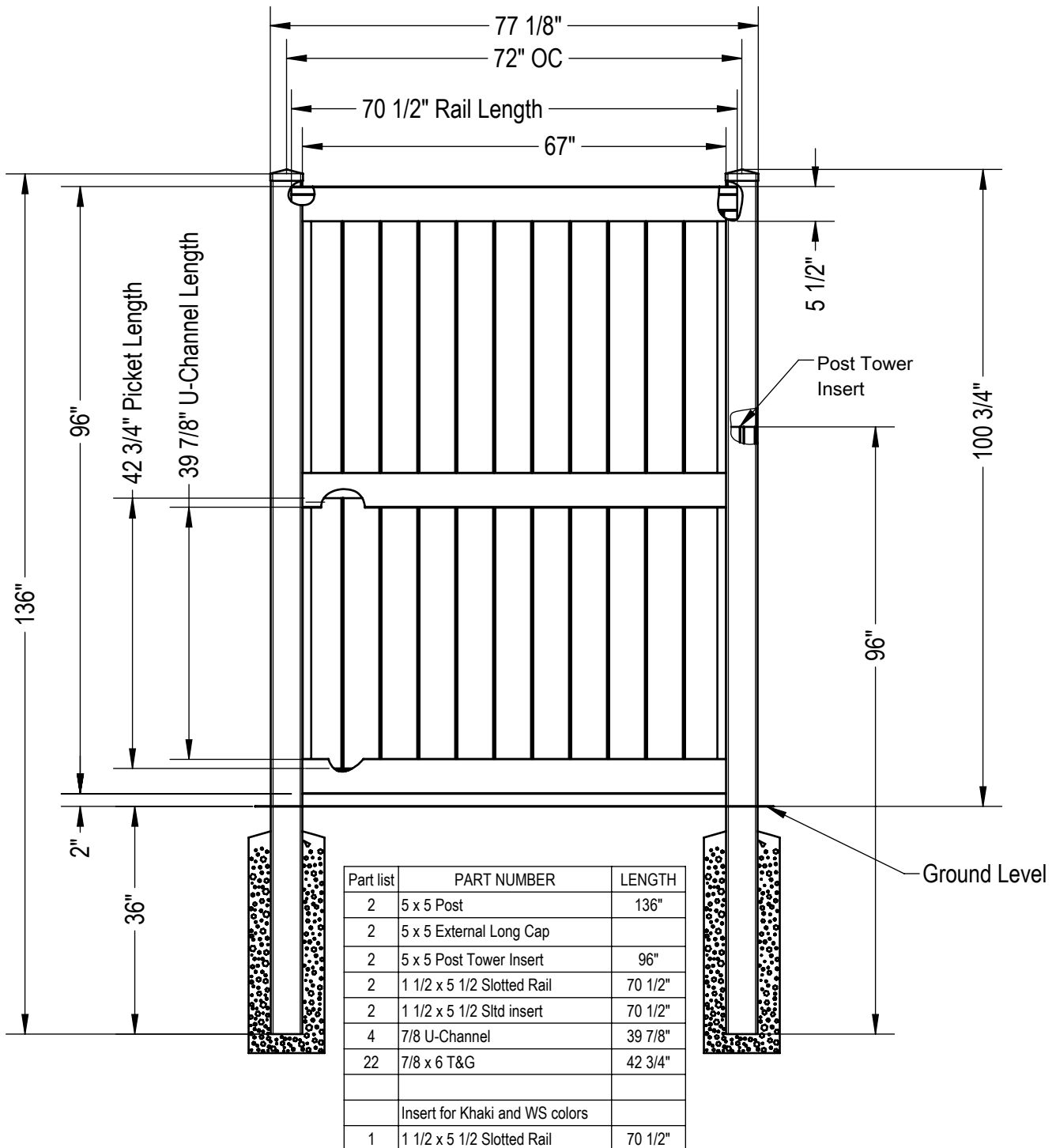
THIS DRAWING WAS MADE AND INTENDED FOR USE AS A GUIDE ONLY. ANY PRODUCT SUBSTITUTION OR VARIANCE MAY COMPROMISE THE STRUCTURE, DESIGN AND PERFORMANCE OF THE PRODUCT. NO WARRANTY IS EXPRESSED OR IMPLIED BY THIS DRAWING AND PLY GEM FENCE & RAIL.

P437

Sheet 2 of 2
04-26-19

96" H x 72" W Classic Privacy

with 1 1/2 x 5 1/2 Rail & 7/8 x 6 Non-Locking T&G Picket

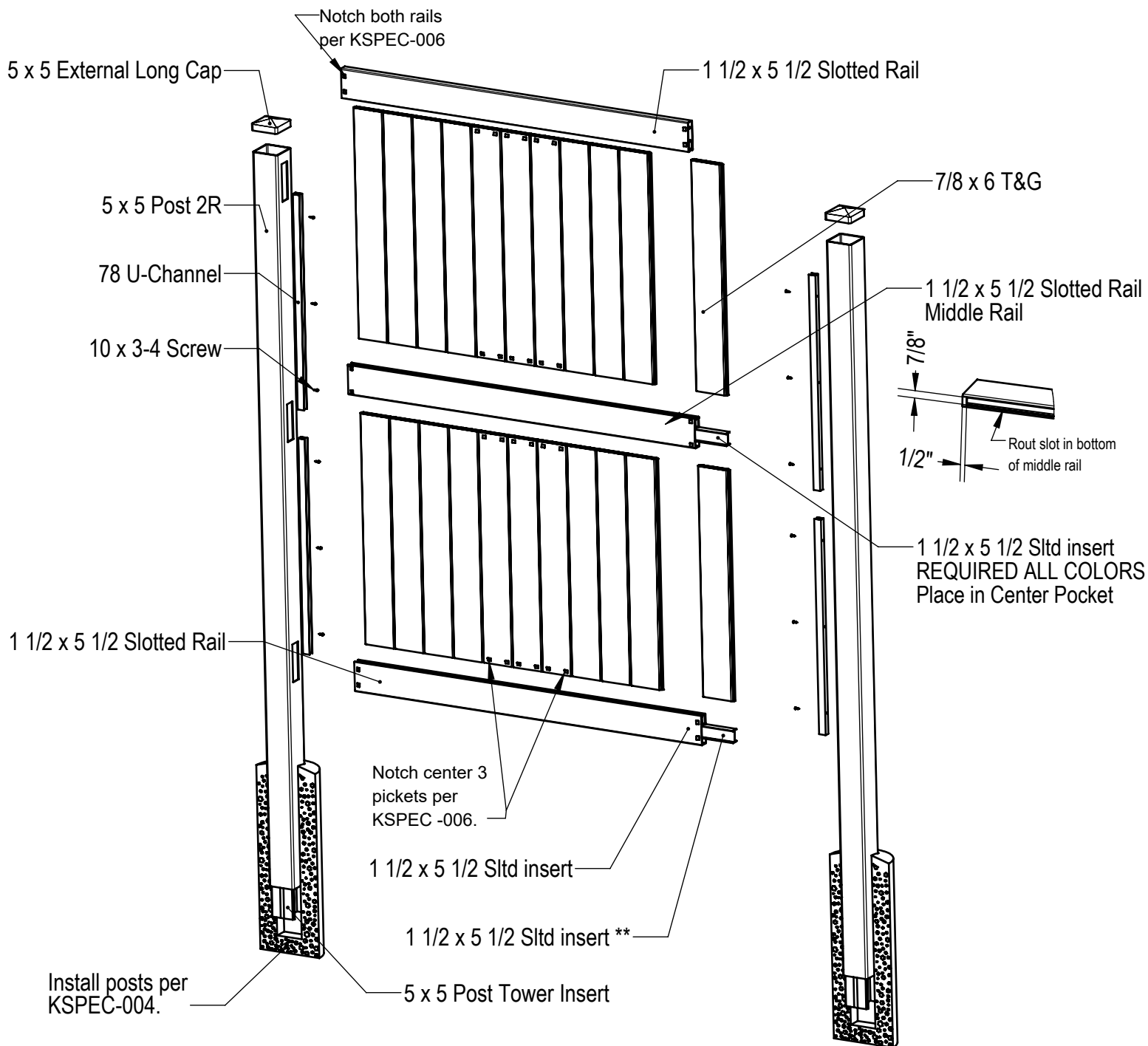


Dynamic wind load tested
 Report # H0431.01-119-19-R1
 Tested as KS2135

THIS DRAWING WAS MADE AND INTENDED FOR USE AS A GUIDE ONLY. ANY PRODUCT SUBSTITUTION OR VARIANCE MAY COMPROMISE THE STRUCTURE, DESIGN AND PERFORMANCE OF THE PRODUCT. NO WARRANTY IS EXPRESSED OR IMPLIED BY THIS DRAWING AND PLY GEM FENCE & RAIL.

96" H x 72" W Classic Privacy

with 1 1/2 x 5 1/2 Rail & 7/8 x 6 Non-Locking T&G Picket



**Aluminum insert required on Khaki and all Woodland Select colors.

THIS DRAWING WAS MADE AND INTENDED FOR USE AS A GUIDE ONLY. ANY PRODUCT SUBSTITUTION OR VARIANCE MAY COMPROMISE THE STRUCTURE, DESIGN AND PERFORMANCE OF THE PRODUCT. NO WARRANTY IS EXPRESSED OR IMPLIED BY THIS DRAWING AND PLY GEM FENCE & RAIL.

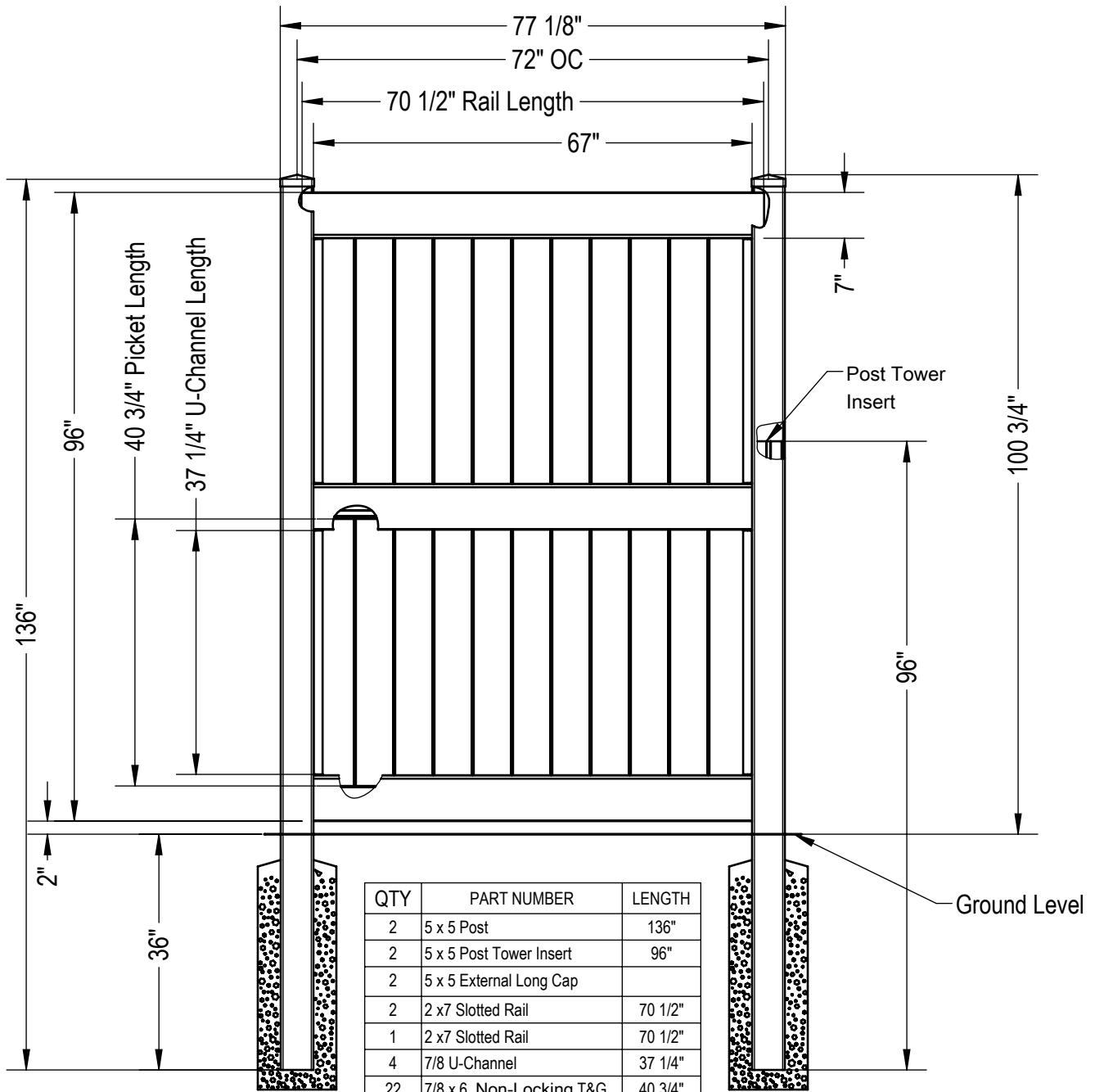
362
DRAWINGS ARE CONFIDENTIAL AND ARE THE PROPERTY OF PLY GEM FENCE & RAILING © MAR 2019.

P438

Sheet 2 of 2
04-14-17

96" H x 72" W Classic Privacy

with 2 x 7 Rail & 7/8 x 6 Non-Locking T&G Picket



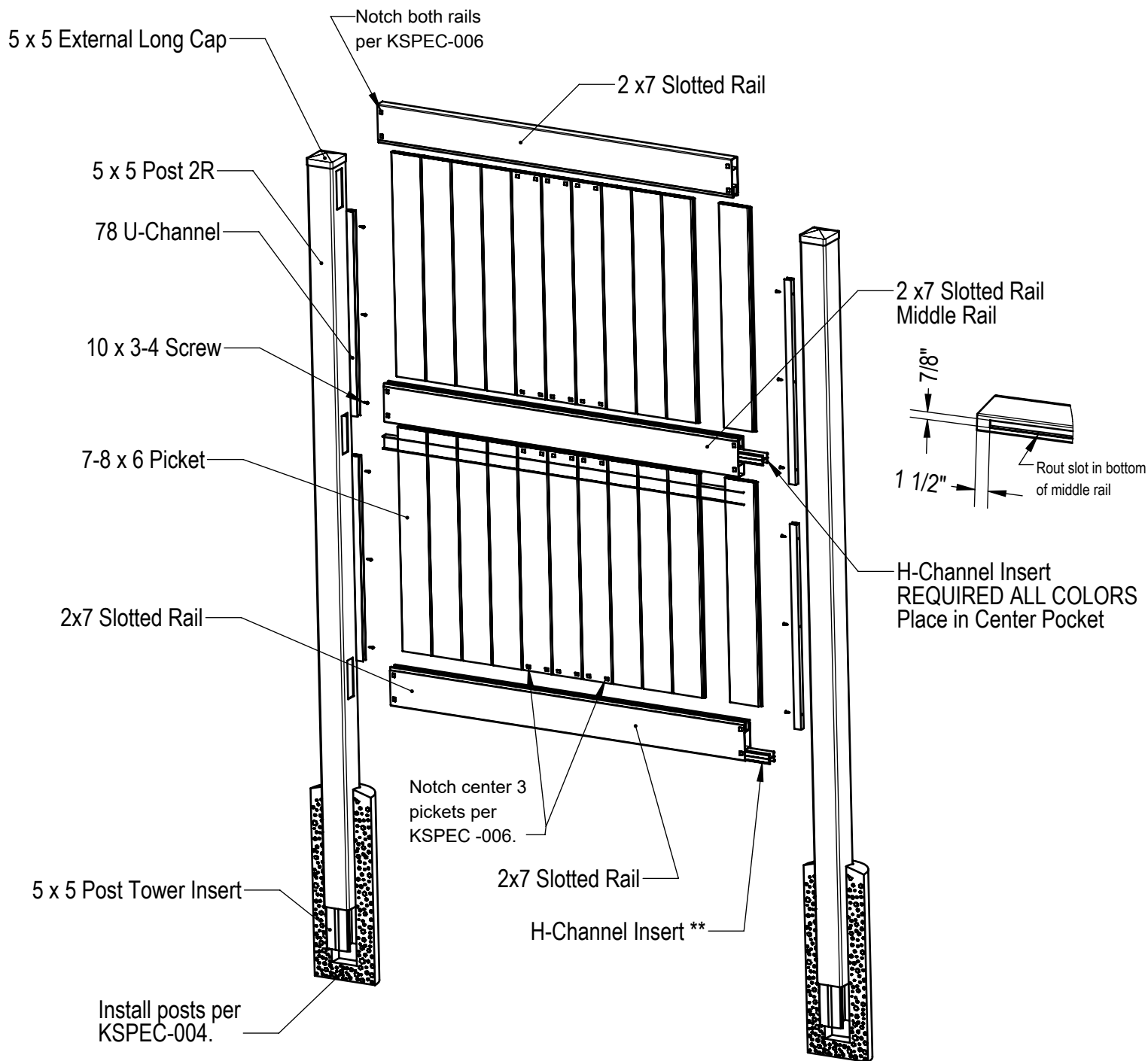
QTY	PART NUMBER	LENGTH
2	5 x 5 Post	136"
2	5 x 5 Post Tower Insert	96"
2	5 x 5 External Long Cap	
2	2 x7 Slotted Rail	70 1/2"
1	2 x7 Slotted Rail	70 1/2"
4	7/8 U-Channel	37 1/4"
22	7/8 x 6 Non-Locking T&G	40 3/4"
4	#10 x 3/4" Screw	
	Insert for Khaki and WS colors	
2	2 x 7 H-Channel Insert	70 1/2"
1	1 1/2 x 5 1/2 Slt'd insert *REQD*	72"

Dynamic wind load tested
 Report # H0431.01-119-19-R1
 Tested as KS2135

THIS DRAWING WAS MADE AND INTENDED FOR USE AS A GUIDE ONLY. ANY PRODUCT SUBSTITUTION OR VARIANCE MAY COMPROMISE THE STRUCTURE, DESIGN AND PERFORMANCE OF THE PRODUCT. NO WARRANTY IS EXPRESSED OR IMPLIED BY THIS DRAWING AND PLY GEM FENCE & RAIL.

96" H x 72" W Classic Privacy

with 2 x 7 Rail & 7/8 x 6 Non-Locking T&G Picket



**Aluminum insert required on Khaki and all Woodland Select colors.

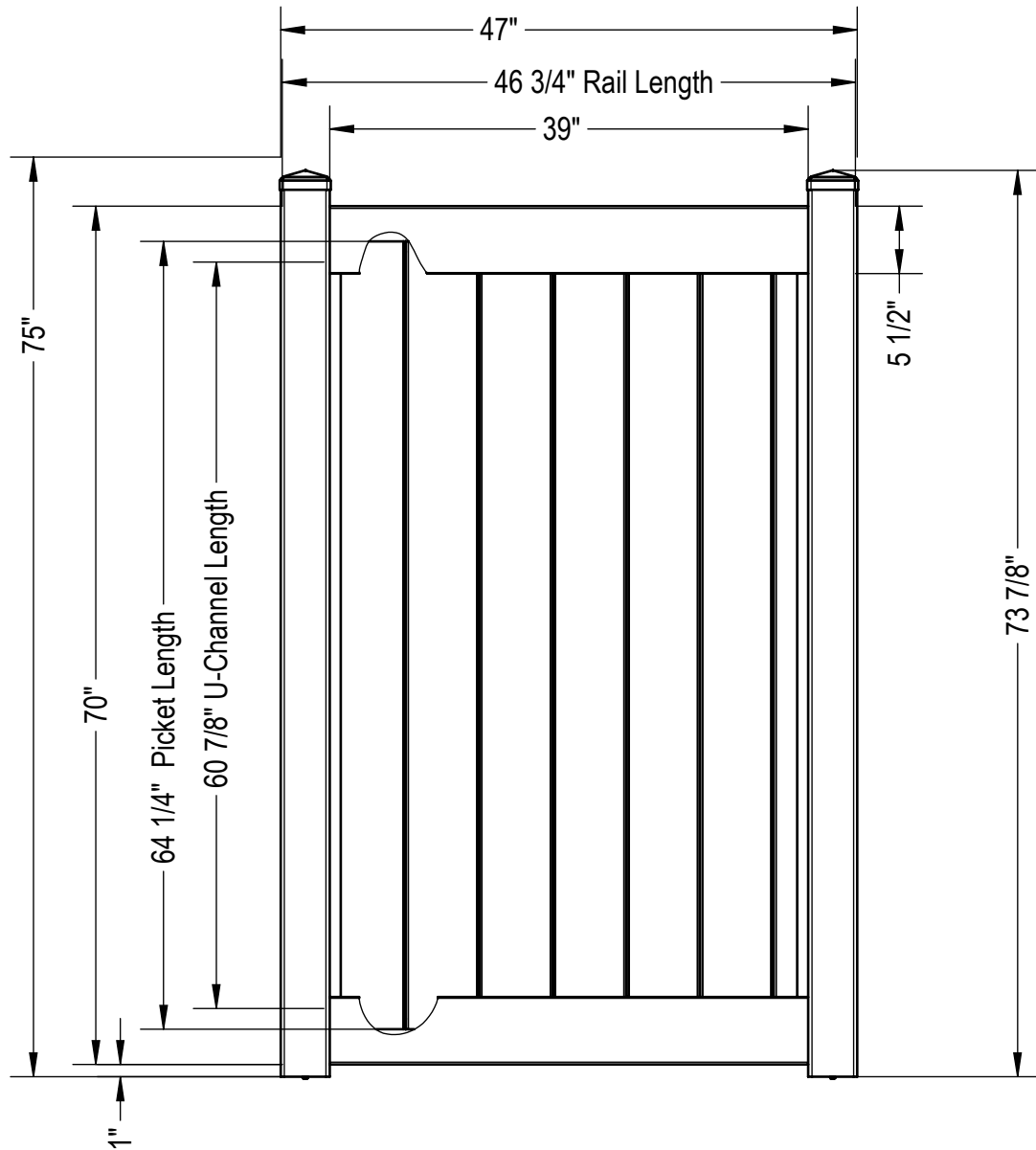
THIS DRAWING WAS MADE AND INTENDED FOR USE AS A GUIDE ONLY. ANY PRODUCT SUBSTITUTION OR VARIANCE MAY COMPROMISE THE STRUCTURE, DESIGN AND PERFORMANCE OF THE PRODUCT. NO WARRANTY IS EXPRESSED OR IMPLIED BY THIS DRAWING AND PLY GEM FENCE & RAIL.

P439

Sheet 2 of 2
04-14-17

70"H x 47 1/32" W Classic Privacy Gate

with 1 1/2 x 5 1/2 Rails & 7/8 x 6 Non-Locking T&G Pickets
4 x 4 Stile



QTY	PART NUMBER	LENGTH
2	4 x4 Post STD	73"
2	1 1/2 x 5 1/2 Slotted Rail	46 3/4"
7	7/8 x 6 Non-Locking T&G	64 1/4"
2	7/8 U-Channel	60 7/8"
4	1 1/2 x 5 1/2 x 4 Pocket Gate Block	
2	4 x 4 Decorative Cap	
6	#10 x 3/4" Screw	
4	1/4" x 8 timber screw	8"

THIS DRAWING WAS MADE AND INTENDED FOR USE AS A GUIDE ONLY. ANY PRODUCT SUBSTITUTION OR VARIANCE MAY COMPROMISE THE STRUCTURE, DESIGN AND PERFORMANCE OF THE PRODUCT. NO WARRANTY IS EXPRESSED OR IMPLIED BY THIS DRAWING AND PLY GEM FENCE & RAIL.

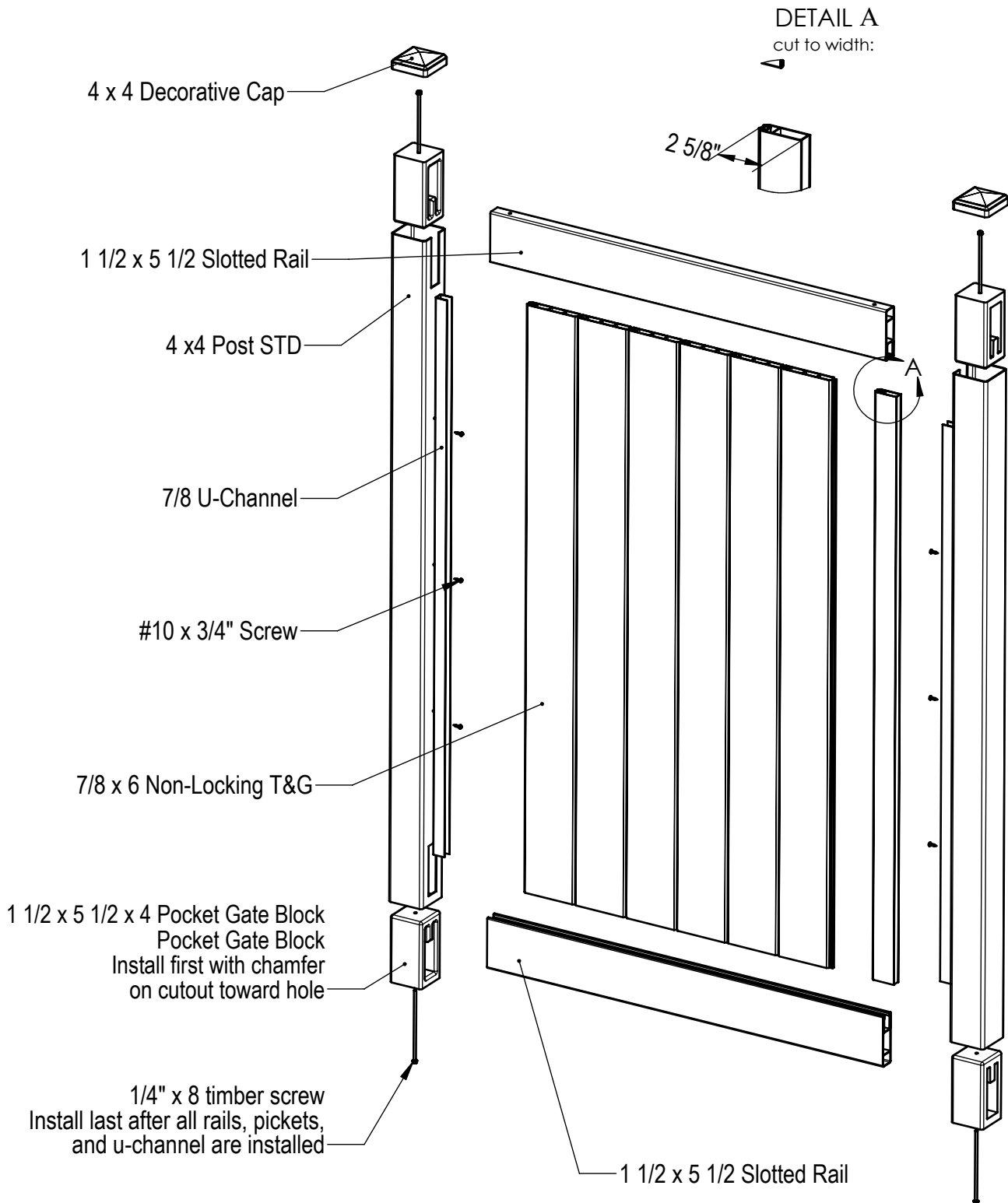
365
DRAWINGS ARE CONFIDENTIAL AND ARE THE PROPERTY OF PLY GEM FENCE & RAILING © MAR 2019.

P440

Sheet 1 of 2
04-16-19

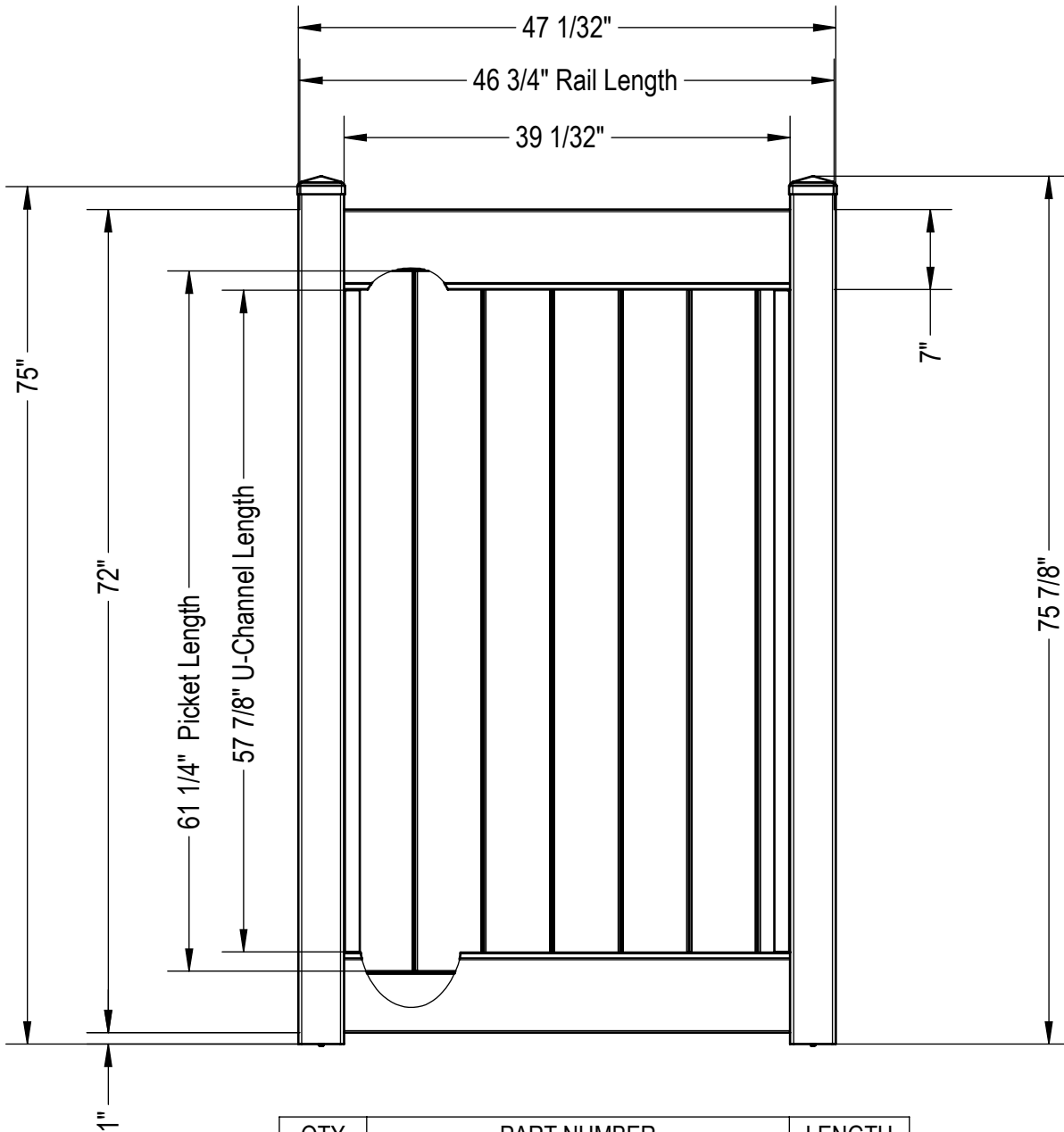
70"H x 47 1/32" W Classic Privacy Gate

with 1 1/2 x 5 1/2 Rails & 7/8 x 6 Non-Locking T&G Pickets
4 x 4 Stile



70"H x 47 1/32" W Classic Privacy Gate

with 2 x 7 Rails & 7/8 x 6 Non-Locking T&G Pickets
4 x 4 Stile



QTY	PART NUMBER	LENGTH
2	4 x4 Post STD	75"
2	2 x7 Slotted Rail	46 3/4"
2	7/8 U-Channel	57 7/8"
7	7/8 x 6 Non-Locking T&G	61 1/4"
4	1 1/2 x 5 1/2 x 4 Pocket Gate Block	
2	4 x 4 Decorative Cap	
4	1/4" x 8 timber screw	8"
6	#10 x 3/4" Screw	

THIS DRAWING WAS MADE AND INTENDED FOR USE AS A GUIDE ONLY. ANY PRODUCT SUBSTITUTION OR VARIANCE MAY COMPROMISE THE STRUCTURE, DESIGN AND PERFORMANCE OF THE PRODUCT. NO WARRANTY IS EXPRESSED OR IMPLIED BY THIS DRAWING AND PLY GEM FENCE & RAIL.

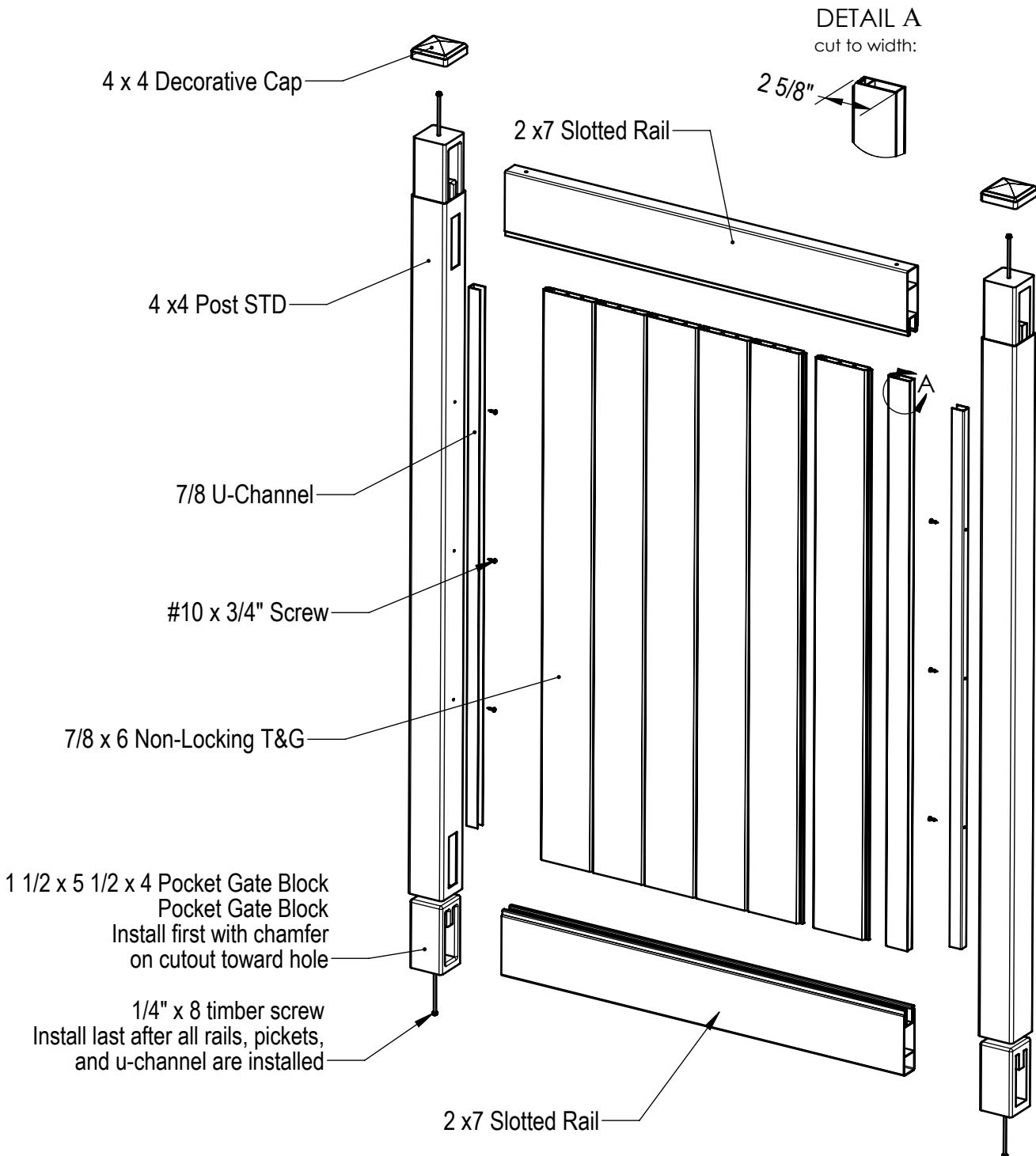
367
DRAWINGS ARE CONFIDENTIAL AND ARE THE PROPERTY OF PLY GEM FENCE & RAILING © MAR 2019.

P441

Sheet 1 of 2
04-18-19

70"H x 47 1/32" W Classic Privacy Gate

with 2 x 7 Rails & 7/8 x 6 Non-Locking T&G Pickets
4 x 4 Stile



THIS DRAWING WAS MADE AND INTENDED FOR USE AS A GUIDE ONLY. ANY PRODUCT SUBSTITUTION OR VARIANCE MAY COMPROMISE THE STRUCTURE, DESIGN AND PERFORMANCE OF THE PRODUCT. NO WARRANTY IS EXPRESSED OR IMPLIED BY THIS DRAWING AND PLY GEM FENCE & RAIL.

368

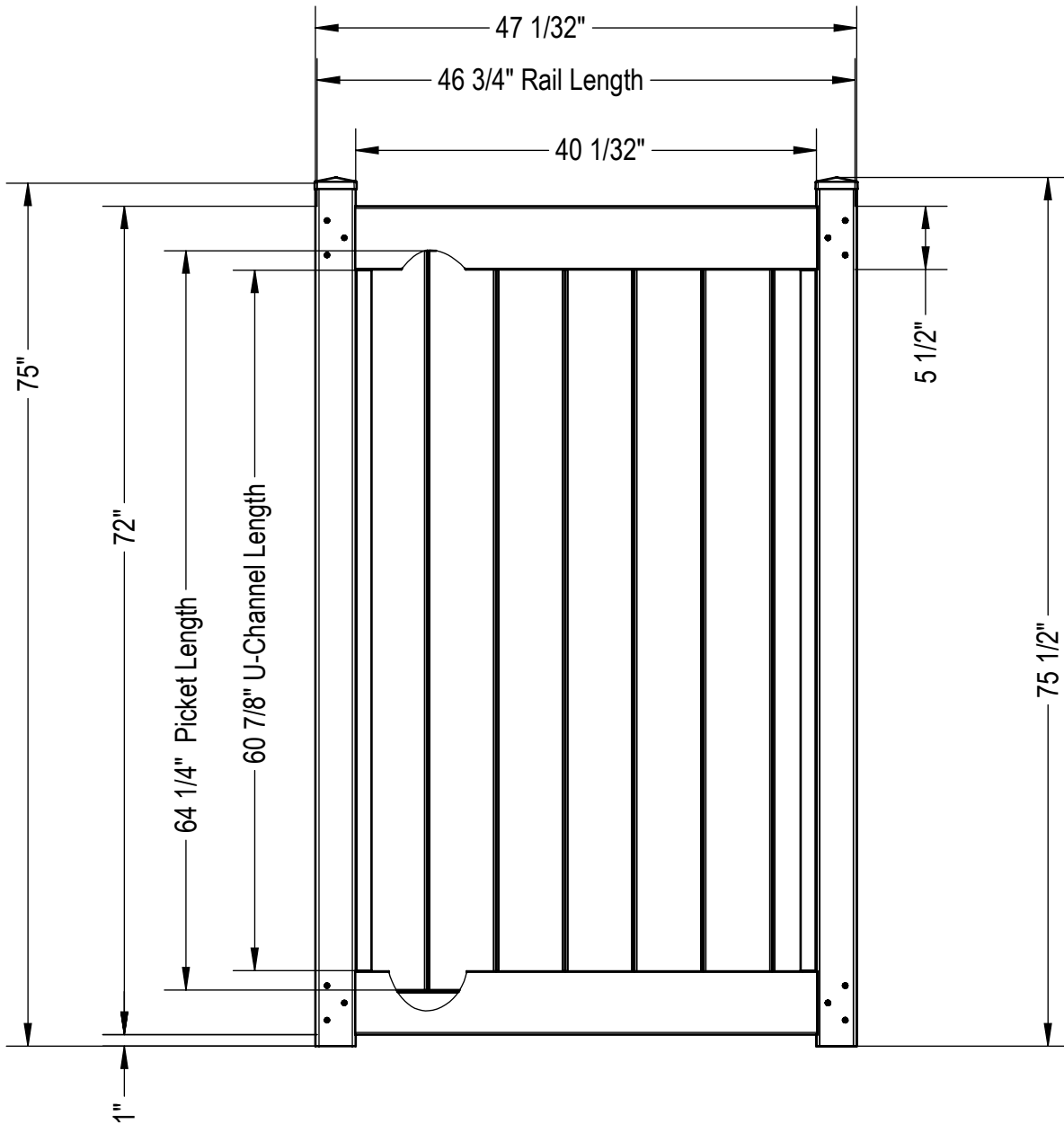
DRAWINGS ARE CONFIDENTIAL AND ARE THE PROPERTY OF PLY GEM FENCE & RAILING © MAR 2019.

P441

Sheet 2 of 2
04-18-19

72"H x 47" W Classic Privacy Gate

**with 1 1/2 x 5 1/2 Rail & 7/8 x 6 Non-Locking T&G Picket
1 3/4 x 3 1/2 Stile**



Part list	PART NUMBER	LENGTH
3	1 3/4 x 3 1/2 Rail	75"
2	1 1/2 x 5 1/2 Slotted Rail	46 3/4"
7	7/8 x 6 Non-Locking T&G	64 1/4"
2	7/8 U-Channel	60 7/8"
2	1 3/4 x 3 1/2 Ext Cap	
30	#10 x 3/4" Screw	

THIS DRAWING WAS MADE AND INTENDED FOR USE AS A GUIDE ONLY. ANY PRODUCT SUBSTITUTION OR VARIANCE MAY COMPROMISE THE STRUCTURE, DESIGN AND PERFORMANCE OF THE PRODUCT. NO WARRANTY IS EXPRESSED OR IMPLIED BY THIS DRAWING AND PLY GEM FENCE & RAIL.

369

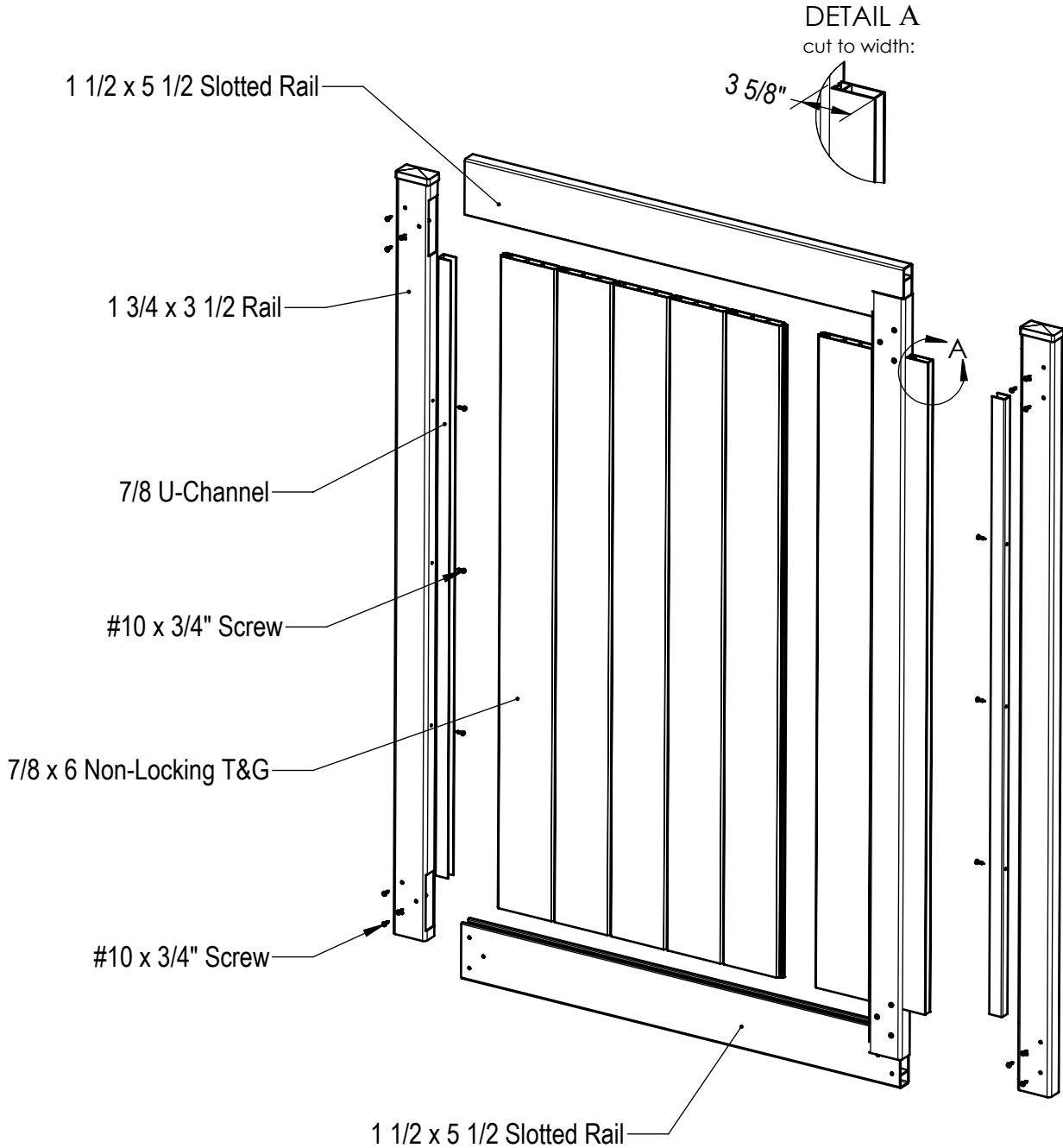
DRAWINGS ARE CONFIDENTIAL AND ARE THE PROPERTY OF PLY GEM FENCE & RAILING © MAR 2019.

P442

Sheet 1 of 2
04-12-19

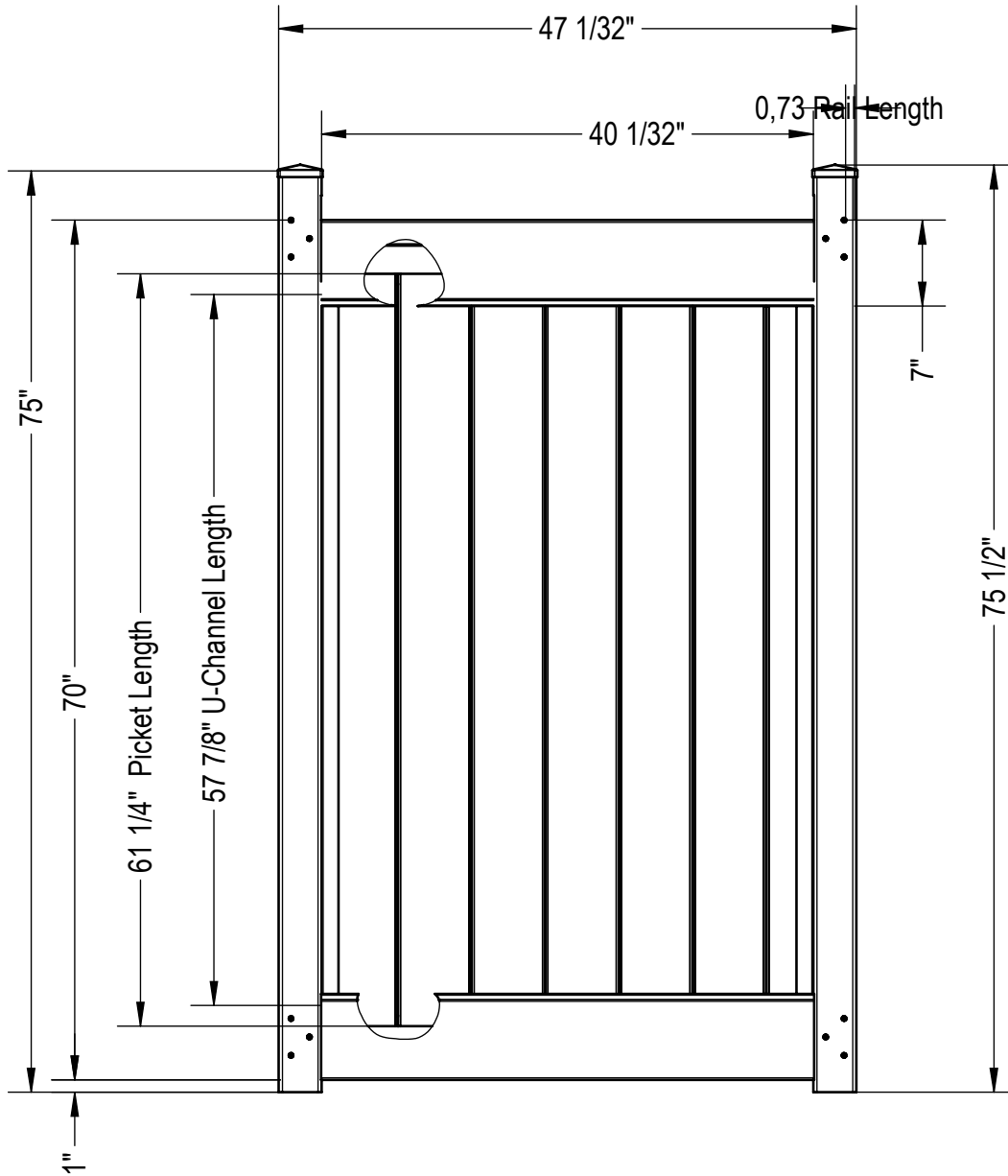
72"H x 47" W Classic Privacy Gate

with 1 1/2 x 5 1/2 Rail & 7/8 x 6 Non-Locking T&G Picket
1 3/4 x 3 1/2 Stile



72" H x 47" W Classic Privacy Gate

with 2 x 7 Rail & 7/8 x 6 Non-Locking T&G Picket
2 1/4 x 3 1/2 Stiles



QTY	PART NUMBER	LENGTH
2	2 1/4 x 3 1/2 Rail	75"
2	2 x7 Slotted Rail	46 3/4"
7	7/8 x 6 Non-Locking T&G	61 1/4"
2	7/8 U-Channel	57 7/8"
d	2 1/4 x 3 1/2 Ext Cap	
30	#10 x 3/4" Screw	

THIS DRAWING WAS MADE AND INTENDED FOR USE AS A GUIDE ONLY. ANY PRODUCT SUBSTITUTION OR VARIANCE MAY COMPROMISE THE STRUCTURE, DESIGN AND PERFORMANCE OF THE PRODUCT. NO WARRANTY IS EXPRESSED OR IMPLIED BY THIS DRAWING AND PLY GEM FENCE & RAIL.

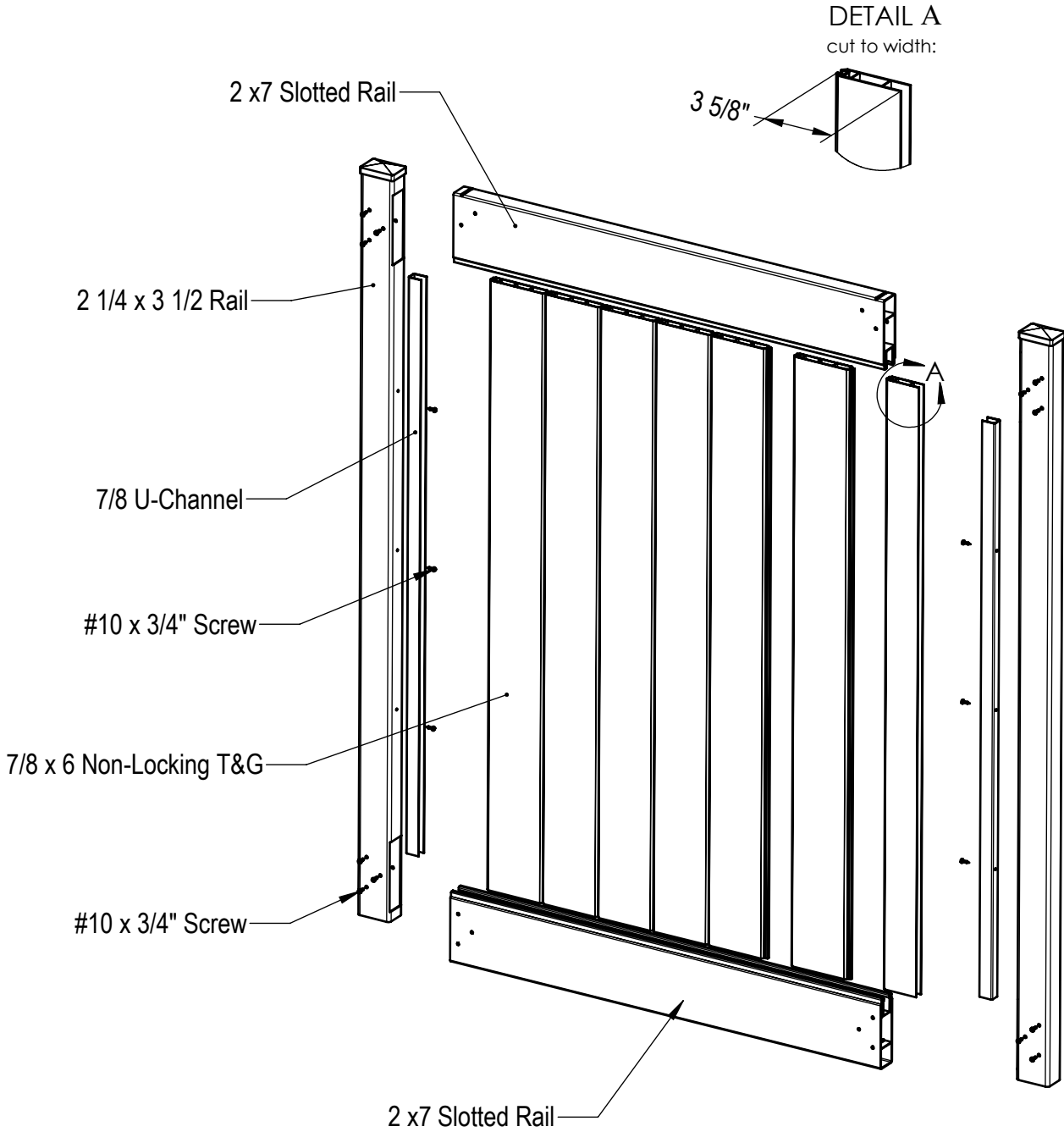
371
DRAWINGS ARE CONFIDENTIAL AND ARE THE PROPERTY OF PLY GEM FENCE & RAILING © MAR 2019.

P443

Sheet 1 of 2
04-15-19

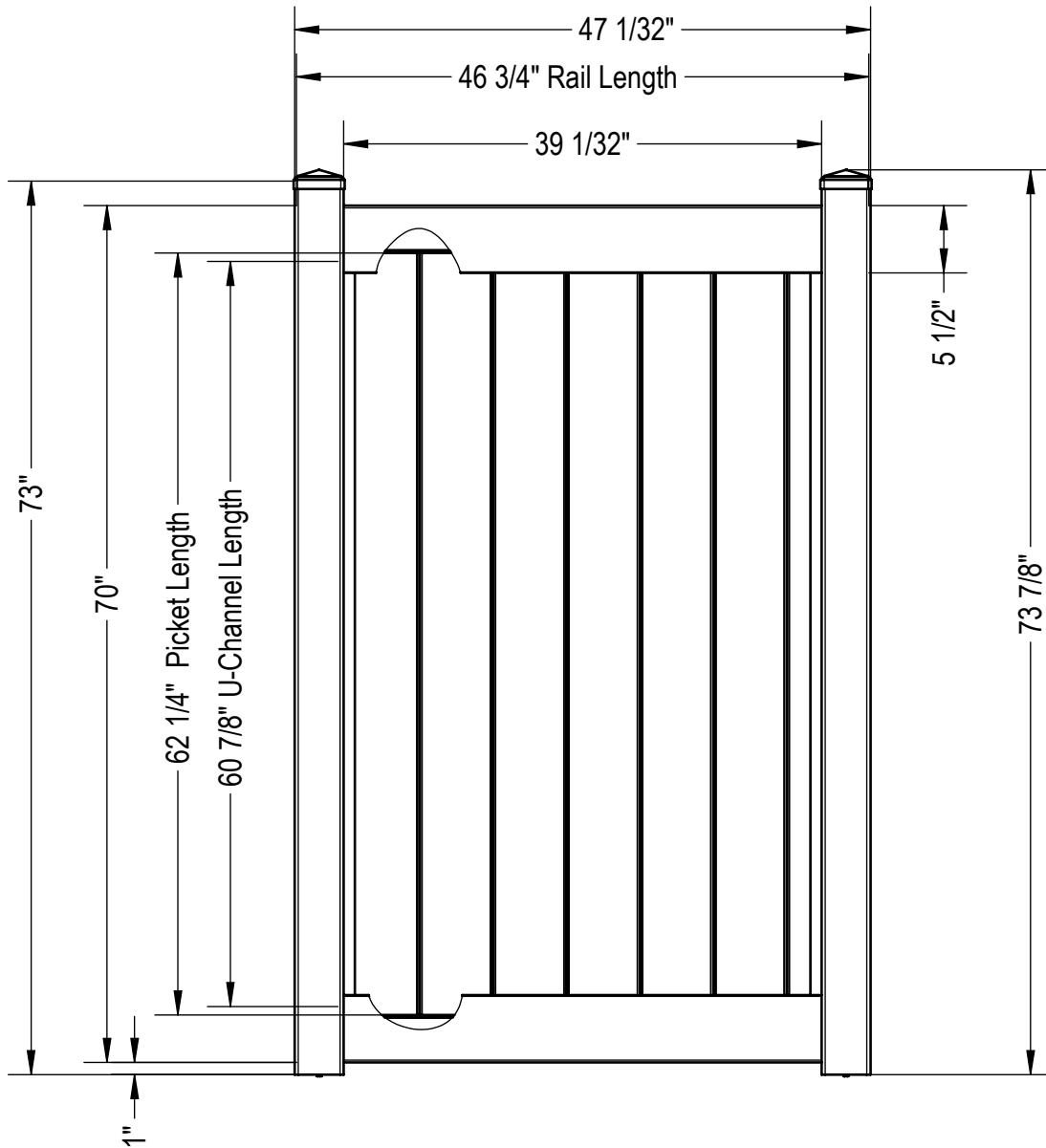
72"H x 47" W Classic Privacy Gate

with 2 x 7 Rail & 7/8 x 6 Non-Locking T&G Picket
2 1/4 x 3 1/2 Stiles



70"H x 47 1/32"W Classic Privacy Gate

with 1 1/2 x 5 1/2 Rails & 7/8 x 6 Non-Locking T&G Pickets
4 x 4 Stile



QTY	PART NUMBER	LENGTH
2	4 x4 Post STD	73"
4	1 1/2 x 5 1/2 x 4 Pocket Gate Block	
2	1 1/2 x 5 1/2 Slotted Rail	46 3/4"
7	7/8 x 6 Non-Locking T&G	62 1/4"
2	7/8 U-Channel	60 7/8"
2	4 x 4 Decorative Cap	
6	#10 x 3/4" Screw	
4	1/4" x 8 timber screw	8"

THIS DRAWING WAS MADE AND INTENDED FOR USE AS A GUIDE ONLY. ANY PRODUCT SUBSTITUTION OR VARIANCE MAY COMPROMISE THE STRUCTURE, DESIGN AND PERFORMANCE OF THE PRODUCT. NO WARRANTY IS EXPRESSED OR IMPLIED BY THIS DRAWING AND PLY GEM FENCE & RAIL.

373
DRAWINGS ARE CONFIDENTIAL AND ARE THE PROPERTY OF PLY GEM FENCE & RAILING © MAR 2019.

P444

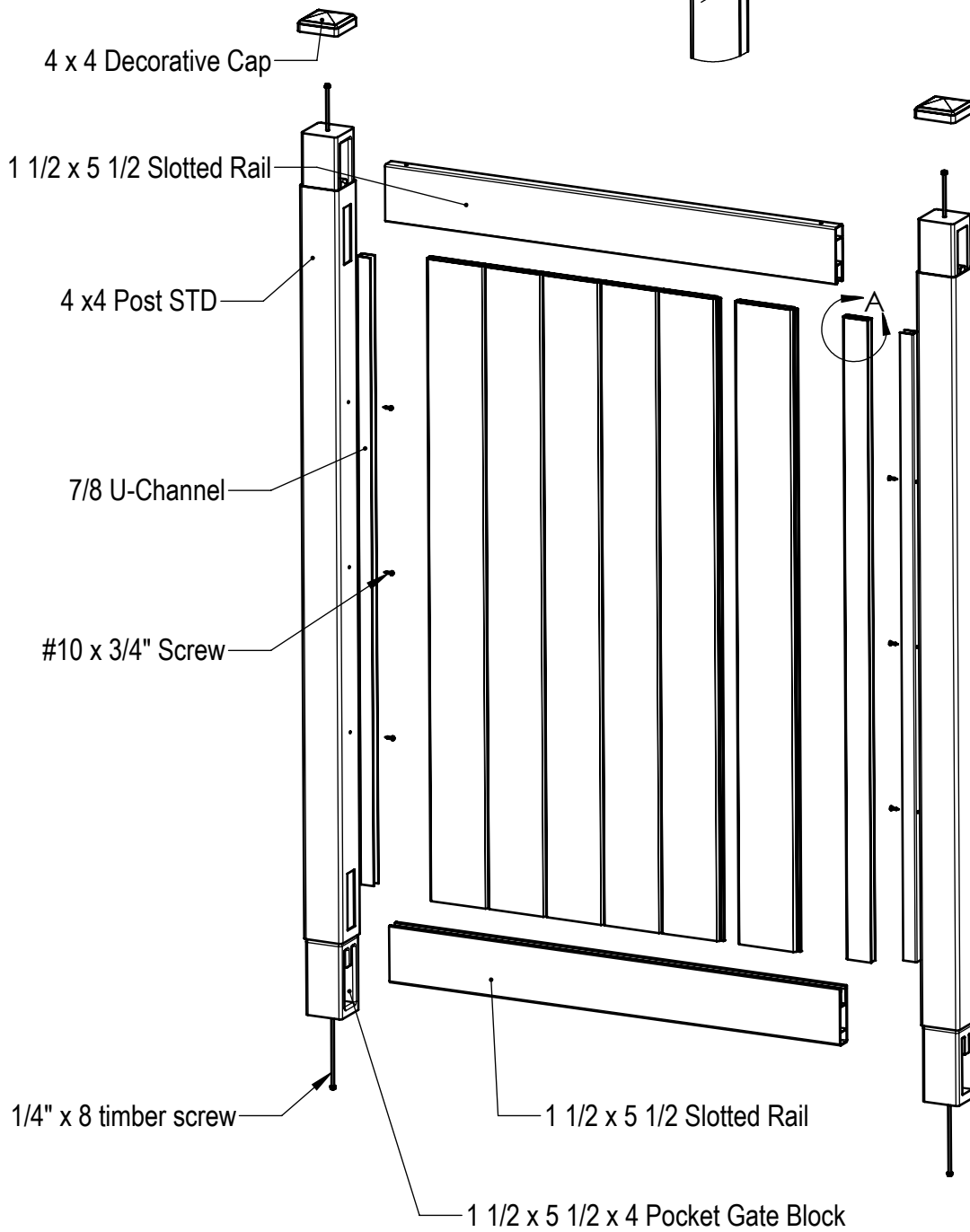
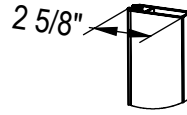
Sheet 1 of 2
05-30-19

70"H x 47 1/32"W Classic Privacy Gate

with 1 1/2 x 5 1/2 Rails & 7/8 x 6 Non-Locking T&G Pickets
4 x 4 Stile

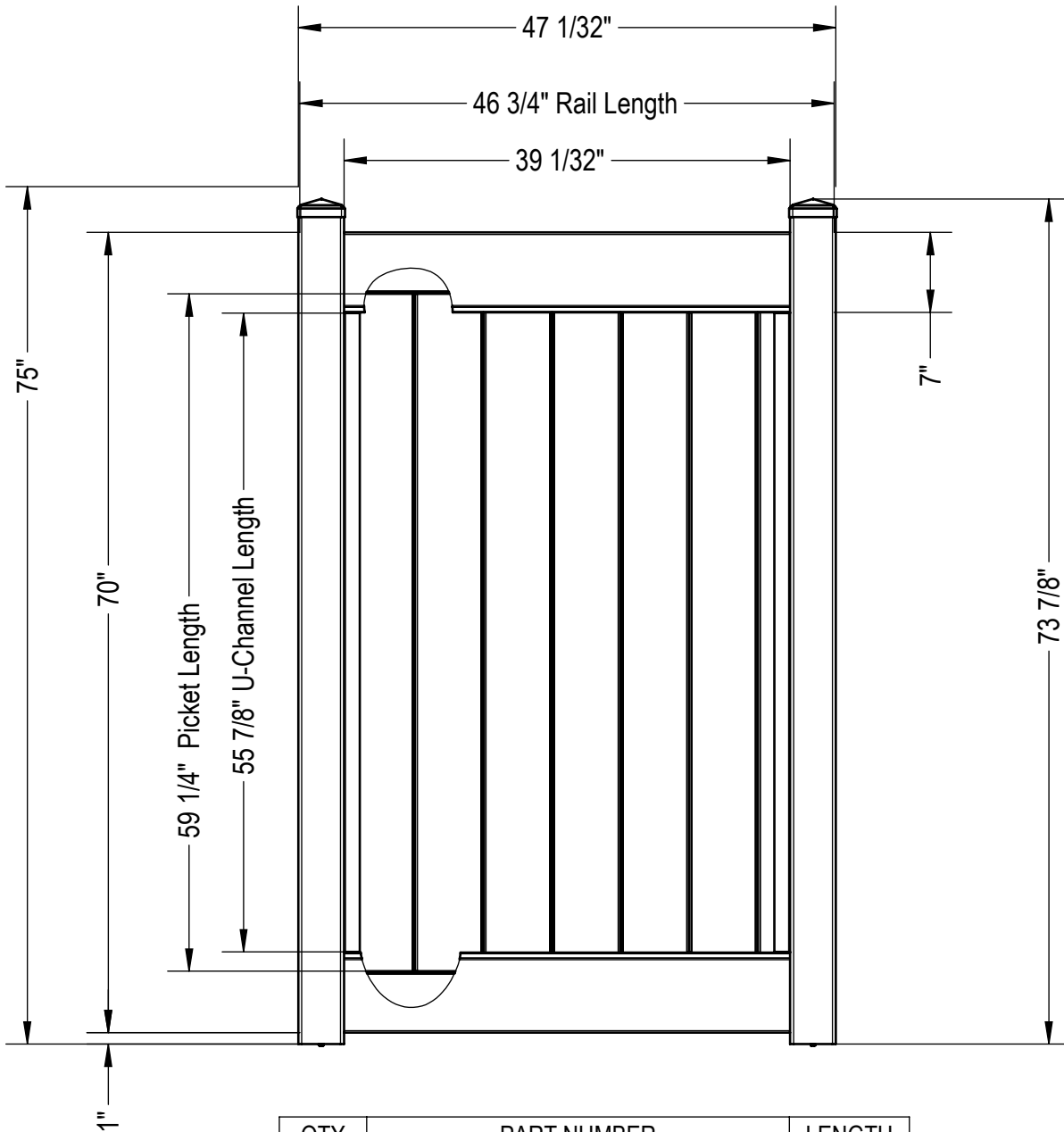
DETAIL A

cut to:



70"H x 47 1/32" W Classic Privacy Gate

with 2 x 7 Rails & 7/8 x 6 Non-Locking T&G Pickets
4 x 4 Stile



QTY	PART NUMBER	LENGTH
2	4 x4 Post STD	75"
2	2 x7 Slotted Rail	46 3/4"
2	7/8 U-Channel	57 7/8"
7	7/8 x 6 Non-Locking T&G	61 1/4"
4	1 1/2 x 5 1/2 x 4 Pocket Gate Block	
2	4 x 4 Decorative Cap	
4	1/4" x 8 timber screw	8"
6	#10 x 3/4" Screw	

THIS DRAWING WAS MADE AND INTENDED FOR USE AS A GUIDE ONLY. ANY PRODUCT SUBSTITUTION OR VARIANCE MAY COMPROMISE THE STRUCTURE, DESIGN AND PERFORMANCE OF THE PRODUCT. NO WARRANTY IS EXPRESSED OR IMPLIED BY THIS DRAWING AND PLY GEM FENCE & RAIL.

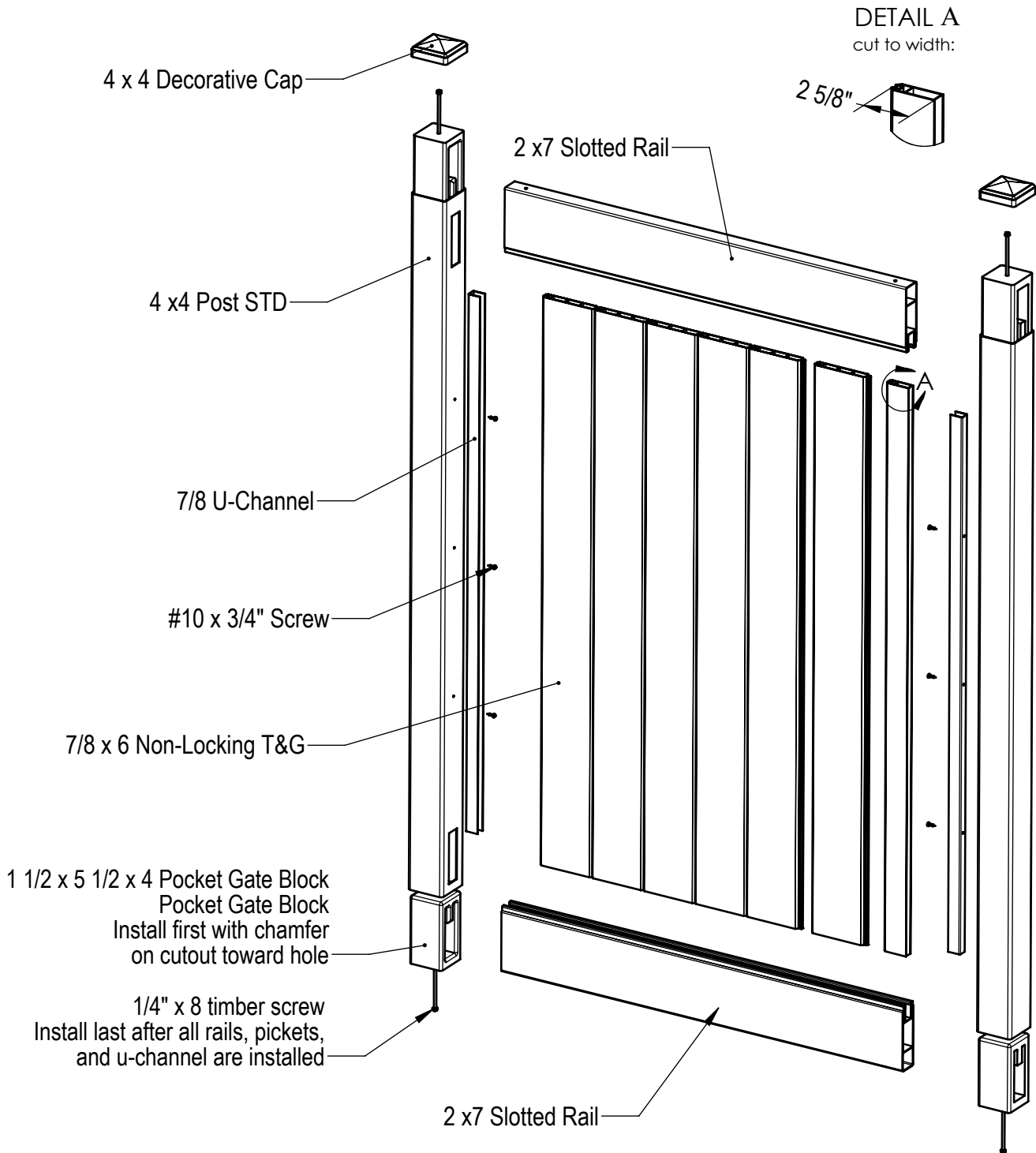
375
DRAWINGS ARE CONFIDENTIAL AND ARE THE PROPERTY OF PLY GEM FENCE & RAILING © MAR 2019.

P445

Sheet 1 of 2
05-30-19

70"H x 47 1/32" W Classic Privacy Gate

with 2 x 7 Rails & 7/8 x 6 Non-Locking T&G Pickets
4 x 4 Stile

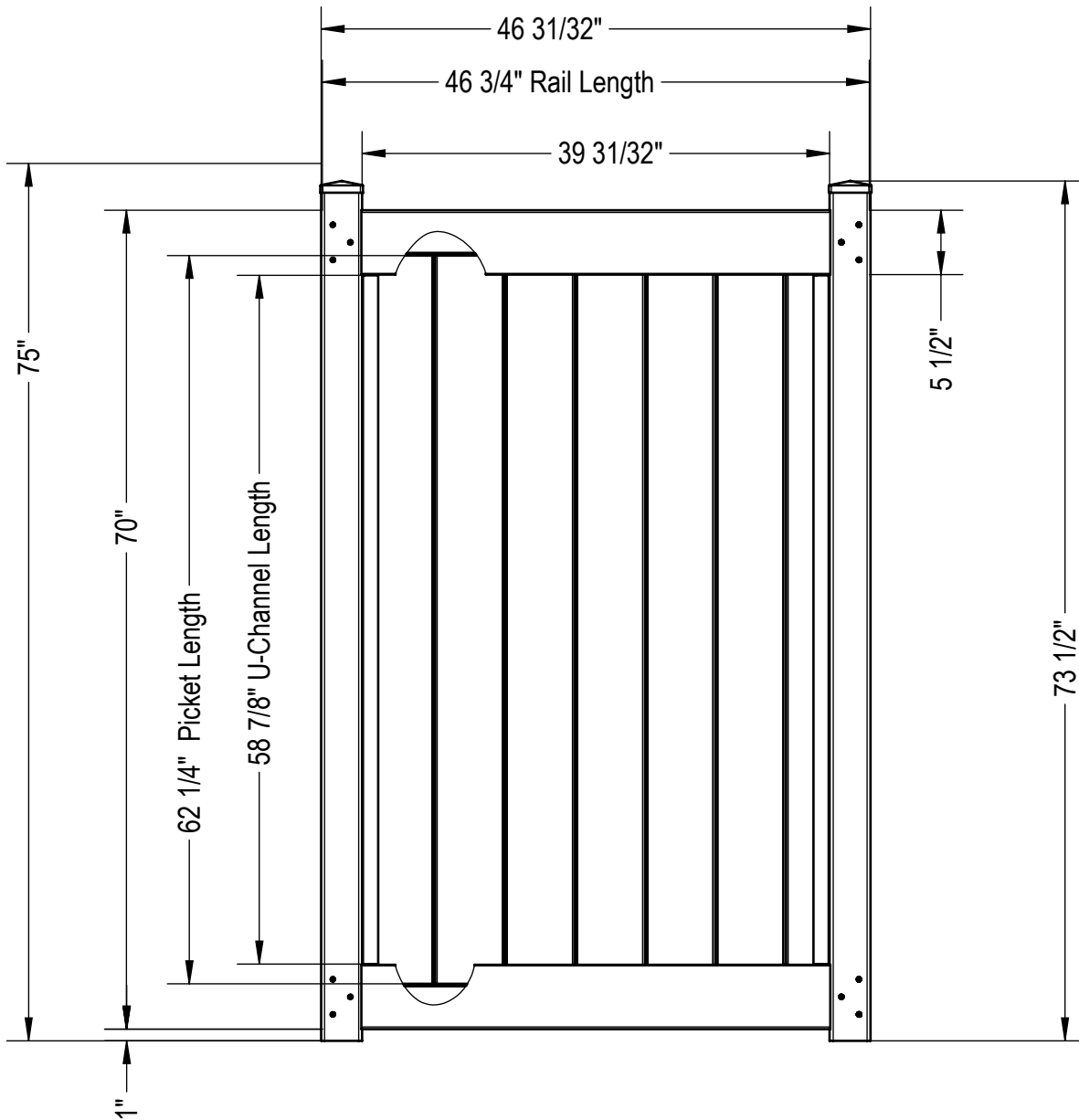


THIS DRAWING WAS MADE AND INTENDED FOR USE AS A GUIDE ONLY. ANY PRODUCT SUBSTITUTION OR VARIANCE MAY COMPROMISE THE STRUCTURE, DESIGN AND PERFORMANCE OF THE PRODUCT. NO WARRANTY IS EXPRESSED OR IMPLIED BY THIS DRAWING AND PLY GEM FENCE & RAIL.
DRAWINGS ARE CONFIDENTIAL AND ARE THE PROPERTY OF PLY GEM FENCE & RAILING © MAR 2019.

P445
Sheet 2 of 2
05-30-19

70"H x 47" W Classic Privacy Gate

with 1 1/2 x 5 1/2 Rail & 7/8 x 6 Non-Locking T&G Picket
1 3/4 x 3 1/2 Stile



Part list	PART NUMBER	LENGTH
3	1 3/4 x 3 1/2 Rail	75"
2	1 1/2 x 5 1/2 Slotted Rail	46 3/4"
7	7/8 x 6 Non-Locking T&G	64 1/4"
2	7/8 U-Channel	60 7/8"
2	1 3/4 x 3 1/2 Ext Cap	
30	#10 x 3/4" Screw	

THIS DRAWING WAS MADE AND INTENDED FOR USE AS A GUIDE ONLY. ANY PRODUCT SUBSTITUTION OR VARIANCE MAY COMPROMISE THE STRUCTURE, DESIGN AND PERFORMANCE OF THE PRODUCT. NO WARRANTY IS EXPRESSED OR IMPLIED BY THIS DRAWING AND PLY GEM FENCE & RAIL.

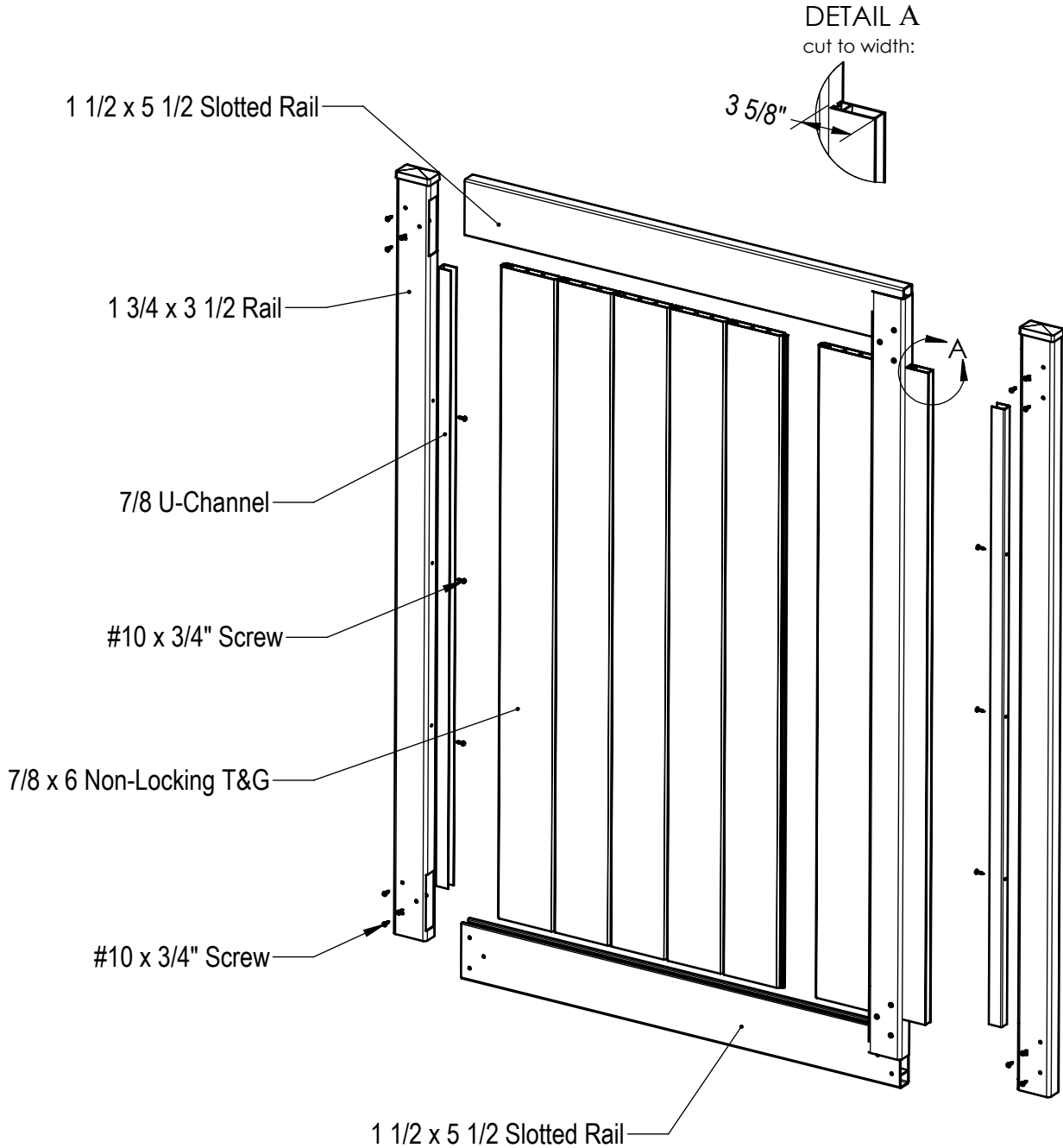
377
DRAWINGS ARE CONFIDENTIAL AND ARE THE PROPERTY OF PLY GEM FENCE & RAILING © MAR 2019.

P446

Sheet 1 of 2
05-28-19

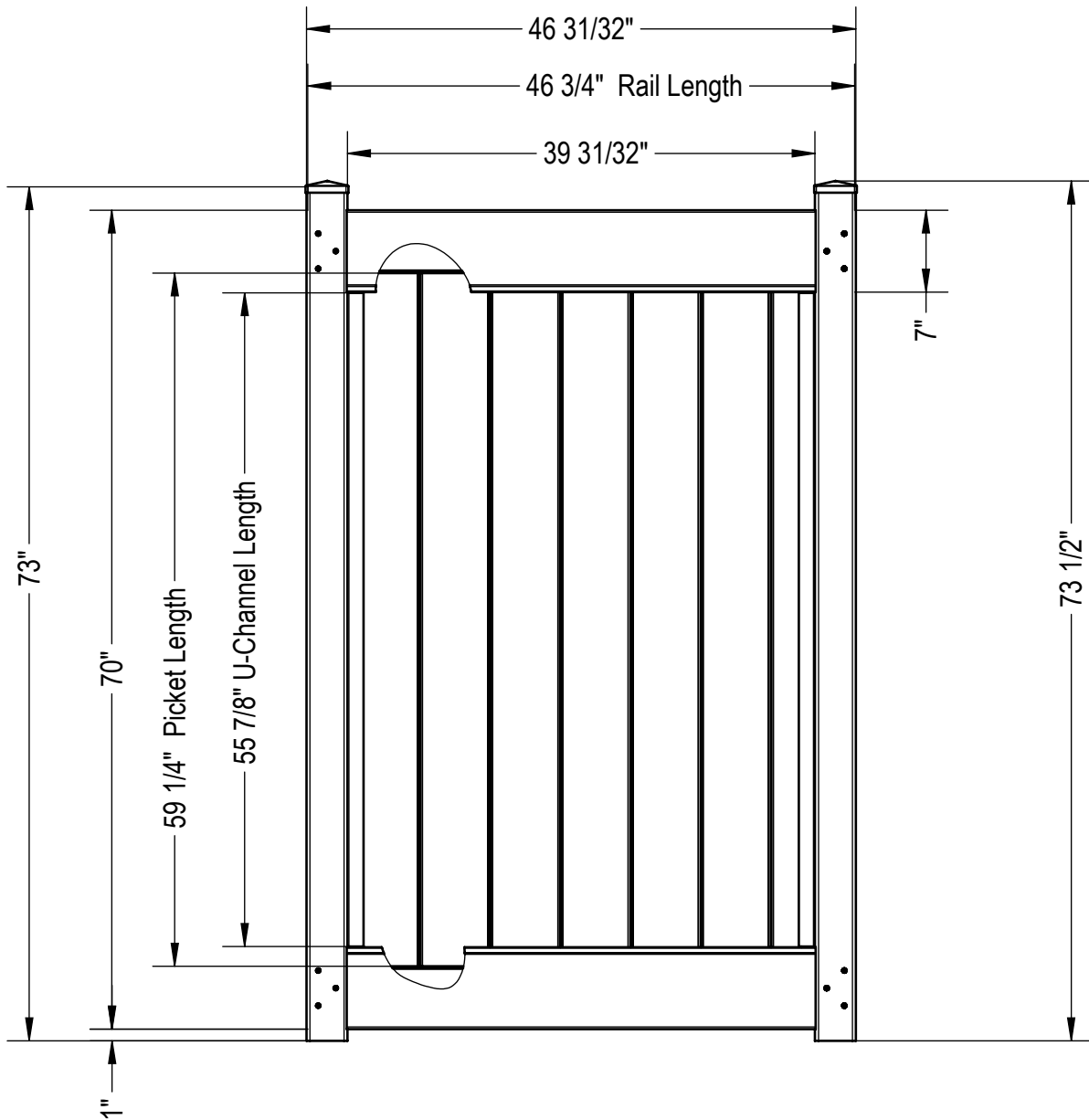
70"H x 47" W Classic Privacy Gate

with 1 1/2 x 5 1/2 Rail & 7/8 x 6 Non-Locking T&G Picket
1 3/4 x 3 1/2 Stile



70"H x 47" W Classic Privacy Gate

with 2 x 7 Rail & 7/8 x 6 Non-Locking T&G Picket
2 1/4 x 3 1/2 Stiles



QTY	PART NUMBER	LENGTH
2	2 1/4 x 3 1/2 Rail	73"
2	2 x7 Slotted Rail	46 3/4"
7	7/8 x 6 Non-Locking T&G	59 1/4"
2	7/8 U-Channel	55 7/8"
2	2 1/4 x 3 1/2 Ext Cap	
30	#10 x 3/4" Screw	

THIS DRAWING WAS MADE AND INTENDED FOR USE AS A GUIDE ONLY. ANY PRODUCT SUBSTITUTION OR VARIANCE MAY COMPROMISE THE STRUCTURE, DESIGN AND PERFORMANCE OF THE PRODUCT. NO WARRANTY IS EXPRESSED OR IMPLIED BY THIS DRAWING AND PLY GEM FENCE & RAIL.

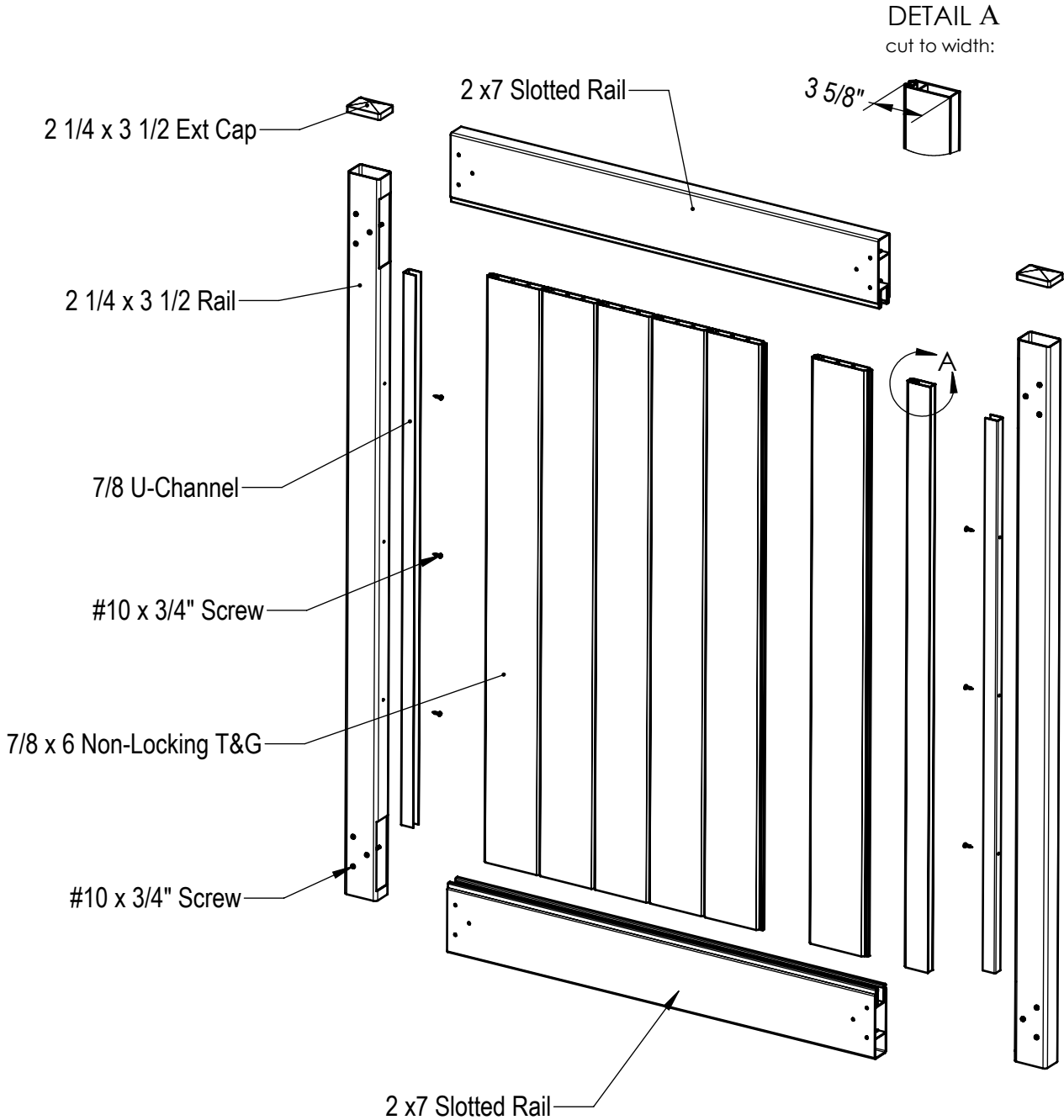
379
DRAWINGS ARE CONFIDENTIAL AND ARE THE PROPERTY OF PLY GEM FENCE & RAILING © MAR 2019.

P447

Sheet 1 of 2
05-30-19

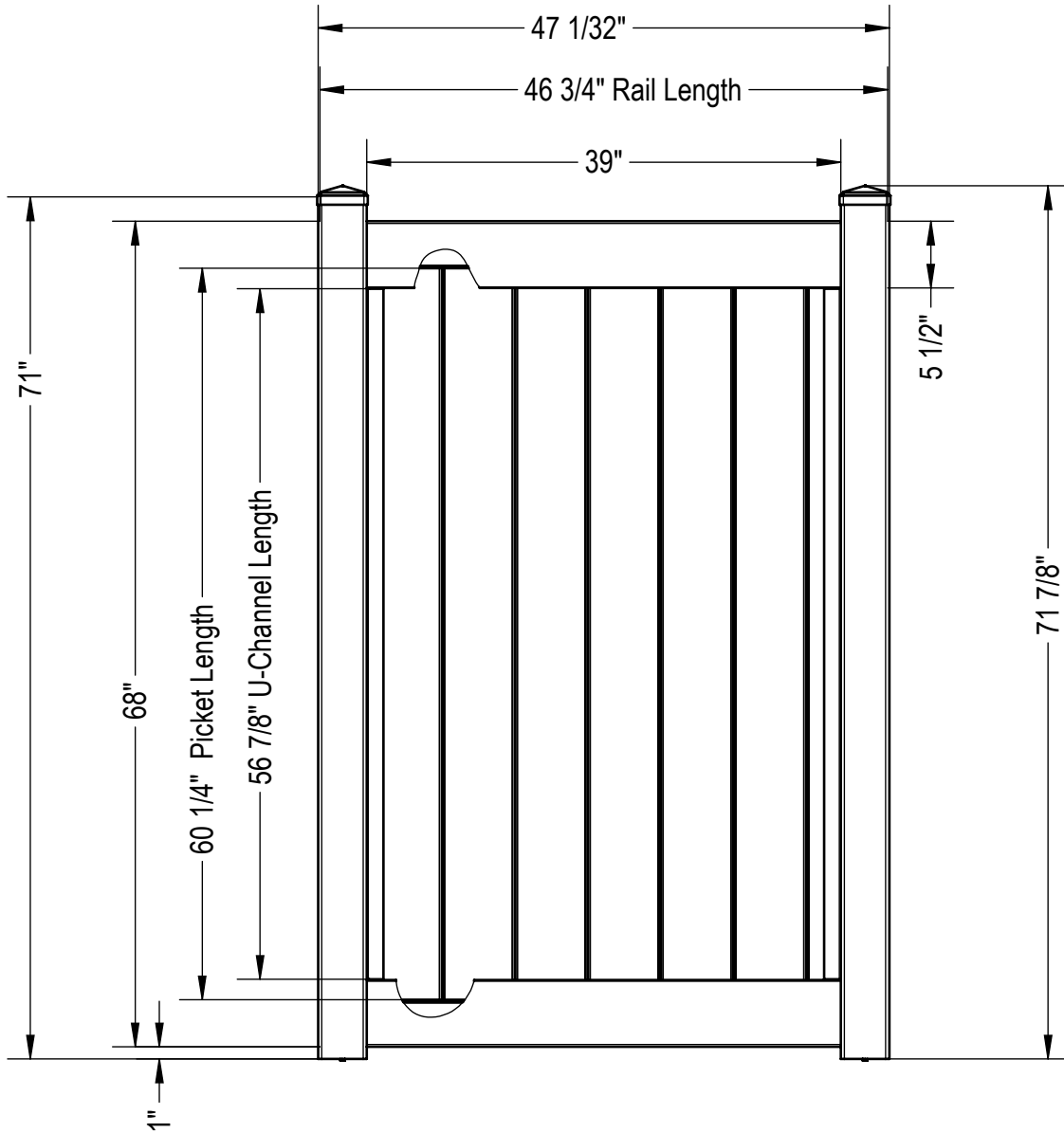
70"H x 47" W Classic Privacy Gate

with 2 x 7 Rail & 7/8 x 6 Non-Locking T&G Picket
2 1/4 x 3 1/2 Stiles



68"H x 47 1/32"W Classic Privacy Gate

with 1 1/2 x 5 1/2 Rails & 7/8 x 6 Non-Locking T&G Pickets
4 x 4 Stile



QTY	PART NUMBER	LENGTH
2	4 x4 Post STD	75"
2	1 1/2 x 5 1/2 Slotted Rail	46 3/4"
7	7/8 x 6 Non-Locking T&G	64 1/4"
2	7/8 U-Channel	60 7/8"
4	1 1/2 x 5 1/2 x 4 Pocket Gate Block	
2	4 x 4 Decorative Cap	
6	#10 x 3/4" Screw	
4	1/4" x 8 timber screw	8"

THIS DRAWING WAS MADE AND INTENDED FOR USE AS A GUIDE ONLY. ANY PRODUCT SUBSTITUTION OR VARIANCE MAY COMPROMISE THE STRUCTURE, DESIGN AND PERFORMANCE OF THE PRODUCT. NO WARRANTY IS EXPRESSED OR IMPLIED BY THIS DRAWING AND PLY GEM FENCE & RAIL.

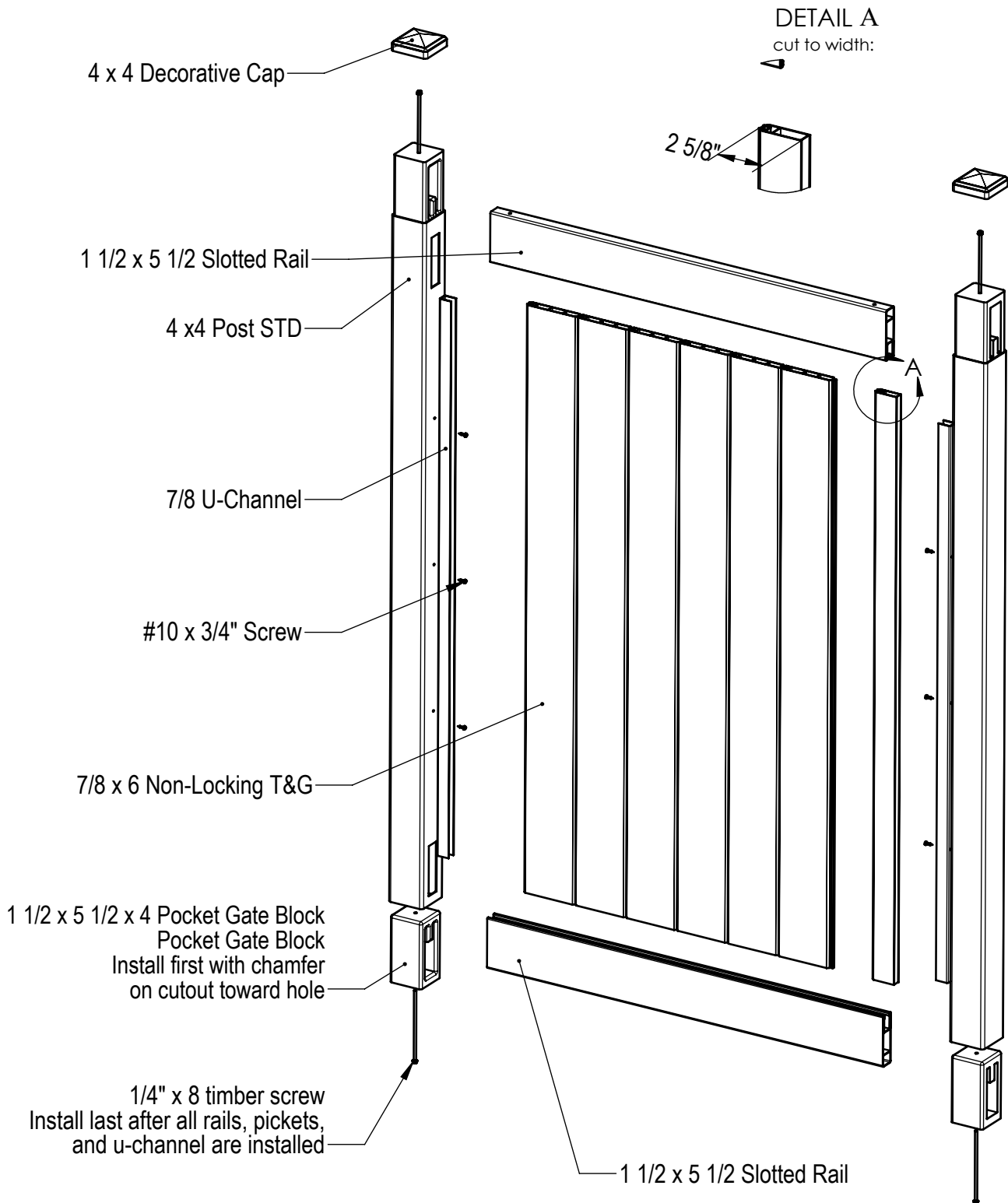
381
DRAWINGS ARE CONFIDENTIAL AND ARE THE PROPERTY OF PLY GEM FENCE & RAILING © MAR 2019.

P448

Sheet 1 of 2
05-31-19

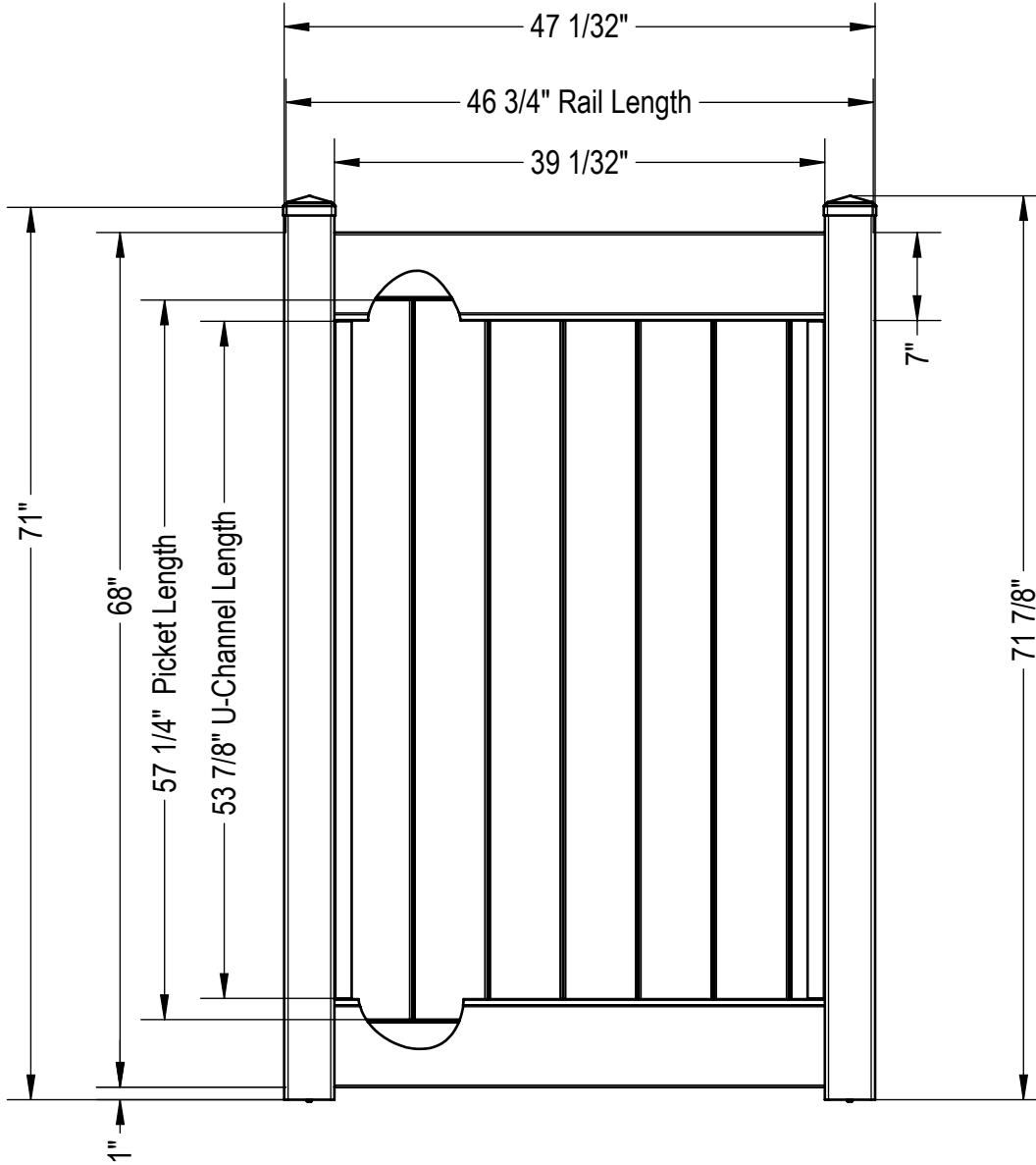
68"H x 47 1/32"W Classic Privacy Gate

with 1 1/2 x 5 1/2 Rails & 7/8 x 6 Non-Locking T&G Pickets
4 x 4 Stile



68"H x 47 1/32"W Classic Privacy Gate

with 2 x 7 Rails & 7/8 x 6 Non-Locking T&G Pickets
4 x 4 Stile



QTY	PART NUMBER	LENGTH
2	4 x 4 Post STD	71"
2	2 x 7 Slotted Rail	46 3/4"
7	7/8 x 6 Non-Locking T&G	57 1/4"
2	7/8 U-Channel	53 7/8"
4	1 1/2 x 5 1/2 x 4 Pocket Gate Block	
2	4 x 4 Decorative Cap	
4	1/4" x 8 timber screw	8"
6	#10 x 3/4" Screw	

THIS DRAWING WAS MADE AND INTENDED FOR USE AS A GUIDE ONLY. ANY PRODUCT SUBSTITUTION OR VARIANCE MAY COMPROMISE THE STRUCTURE, DESIGN AND PERFORMANCE OF THE PRODUCT. NO WARRANTY IS EXPRESSED OR IMPLIED BY THIS DRAWING AND PLY GEM FENCE & RAIL.

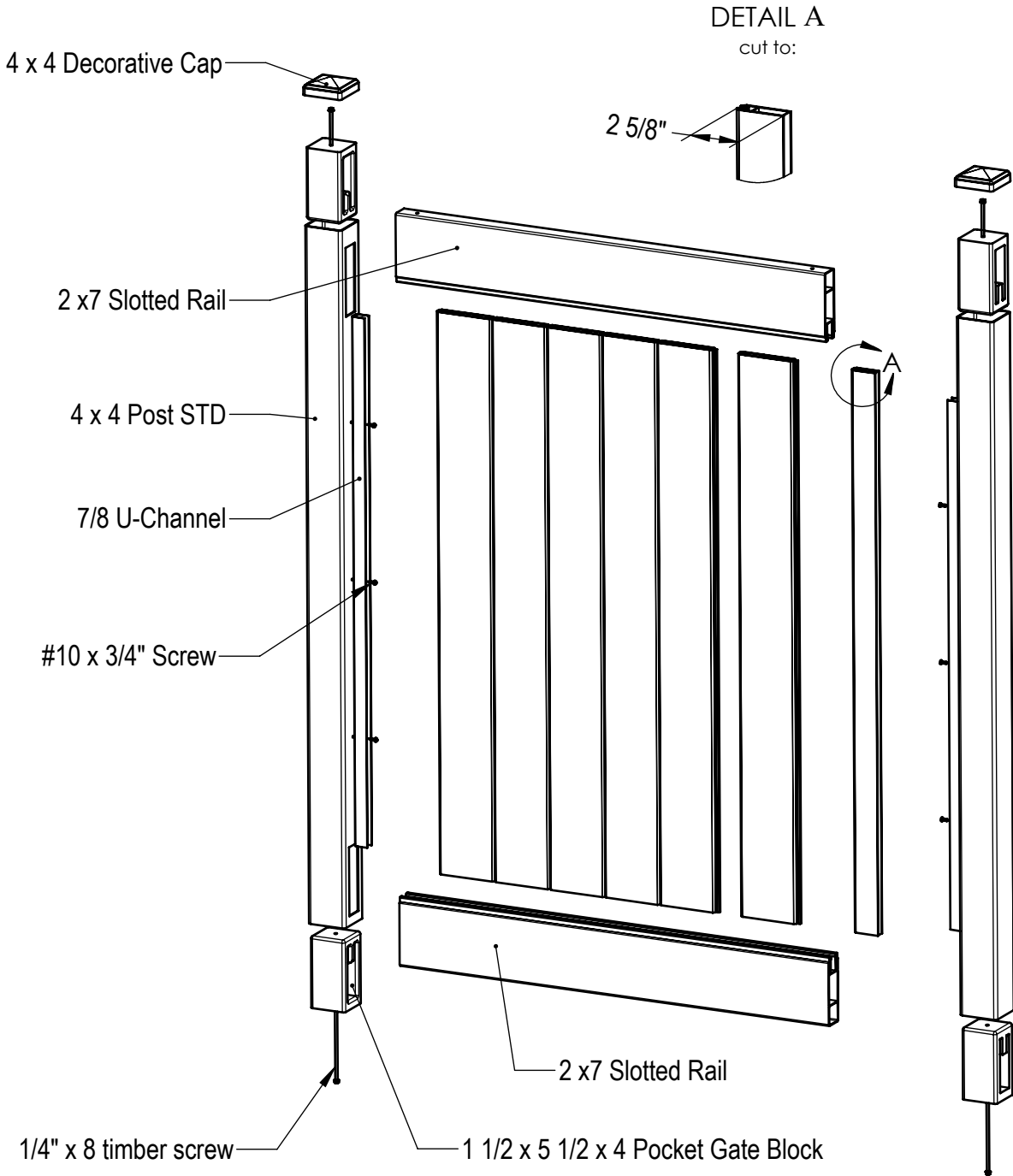
383
DRAWINGS ARE CONFIDENTIAL AND ARE THE PROPERTY OF PLY GEM FENCE & RAILING © MAR 2019.

P449

Sheet 1 of 2
05-31-19

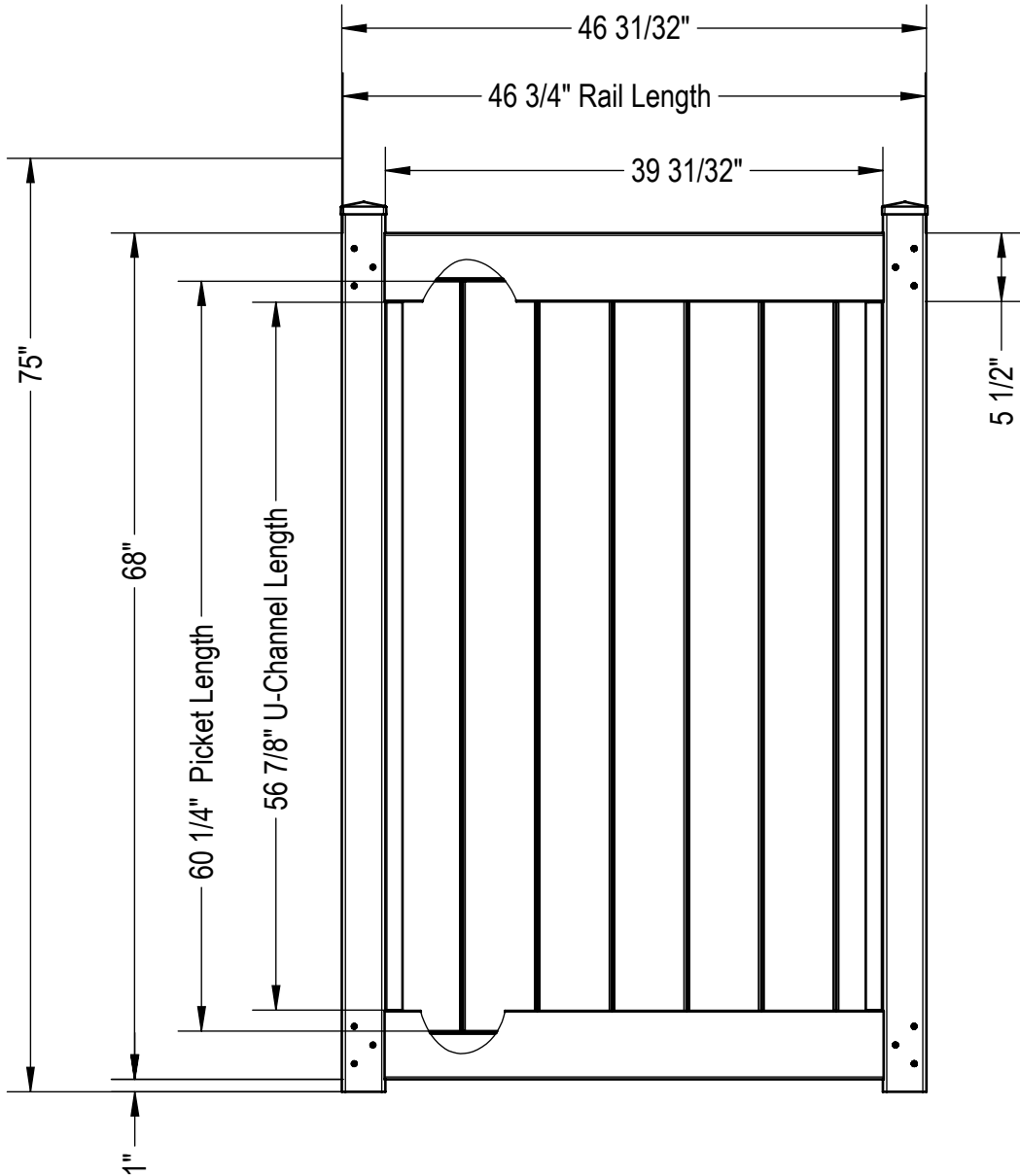
68"H x 47 1/32"W Classic Privacy Gate

with 2 x 7 Rails & 7/8 x 6 Non-Locking T&G Pickets
4 x 4 Stile



68"H x 46 31/32" W Classic Privacy Gate

with 1 1/2 x 5 1/2 Rail & 7/8 x 6 Non-Locking T&G Picket
1 3/4 x 3 1/2 Stile



QTY	PART NUMBER	LENGTH
2	1 3/4 x 3 1/2 Rail	71"
2	1 1/2 x 5 1/2 Slotted Rail	46 3/4"
7	7/8 x 6 Non-Locking T&G	60 1/4"
2	7/8 U-Channel	56 7/8"
2	1 3/4 x 3 1/2 External Cap	
42	#10 x 3/4" Screw	

THIS DRAWING WAS MADE AND INTENDED FOR USE AS A GUIDE ONLY. ANY PRODUCT SUBSTITUTION OR VARIANCE MAY COMPROMISE THE STRUCTURE, DESIGN AND PERFORMANCE OF THE PRODUCT. NO WARRANTY IS EXPRESSED OR IMPLIED BY THIS DRAWING AND PLY GEM FENCE & RAIL.

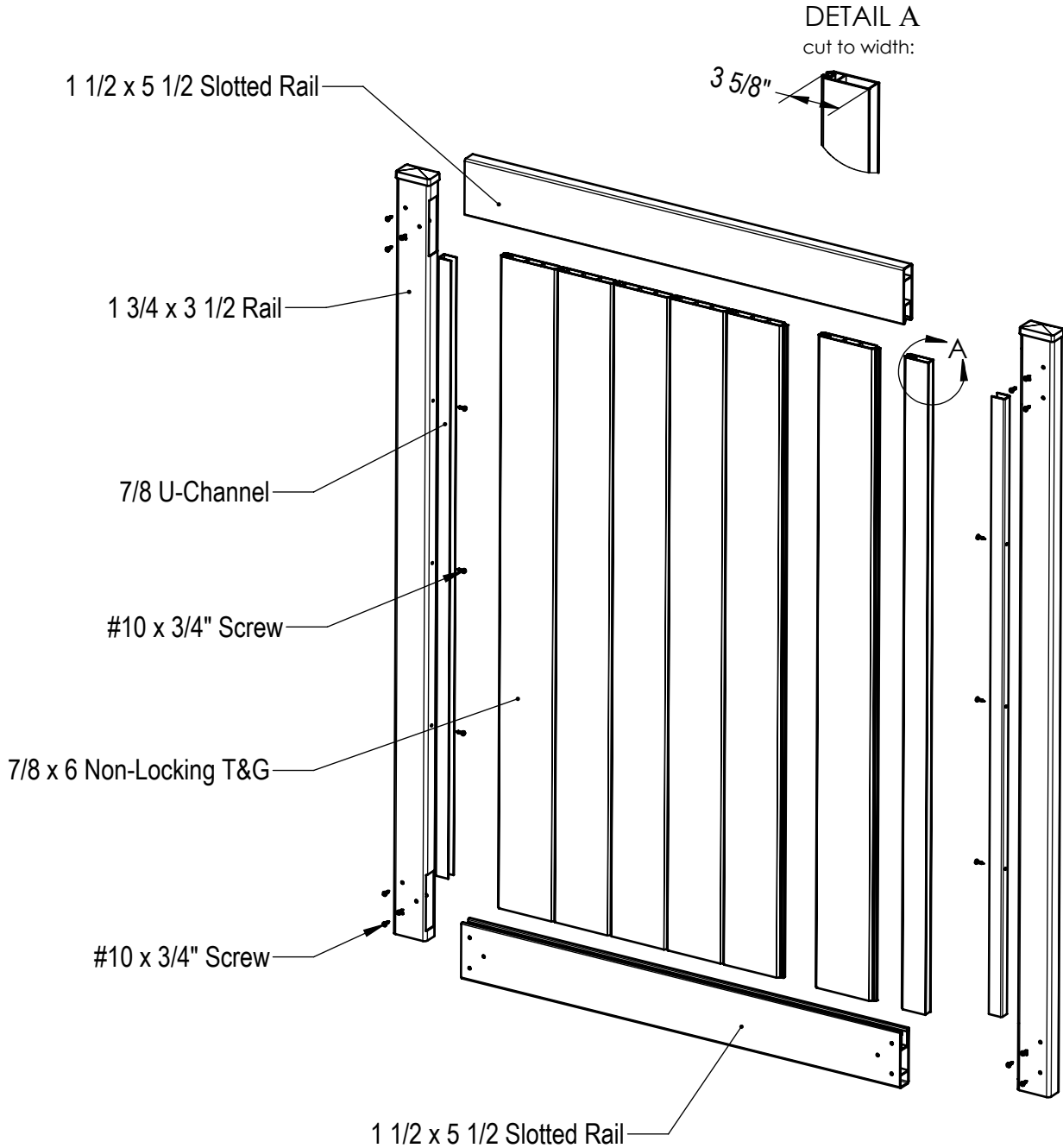
385
DRAWINGS ARE CONFIDENTIAL AND ARE THE PROPERTY OF PLY GEM FENCE & RAILING © MAR 2019.

P450

Sheet 1 of 2
05-31-19

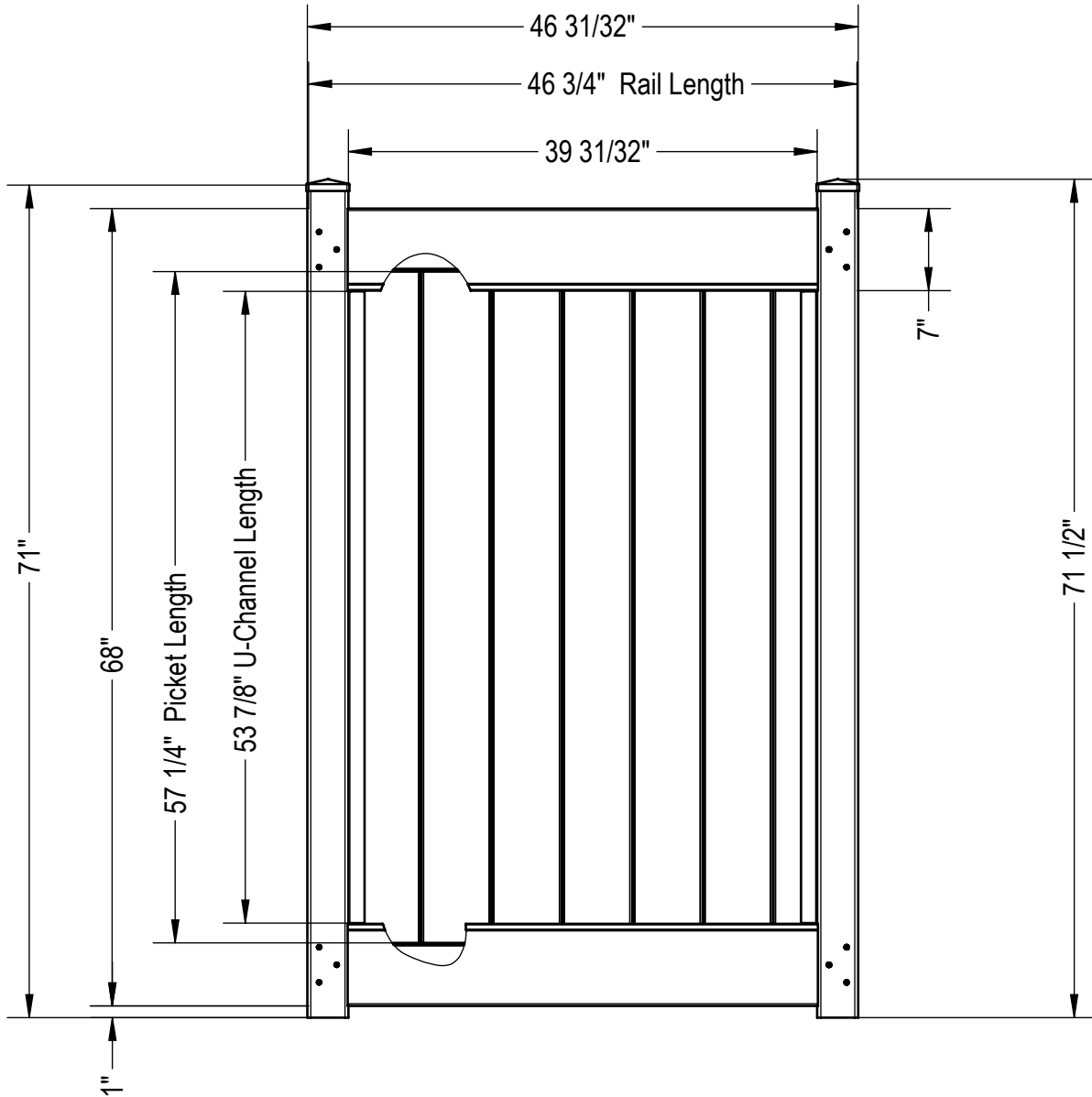
68"H x 46 31/32" W Classic Privacy Gate

with 1 1/2 x 5 1/2 Rail & 7/8 x 6 Non-Locking T&G Picket
1 3/4 x 3 1/2 Stile



68"H x 46 31/32" W Classic Privacy Gate

with 2 x 7 Rail & 7/8 x 6 Non-Locking T&G Picket
2 1/4 x 3 1/2 Stiles



QTY	PART NUMBER	LENGTH
2	2 x7 Slotted Rail	46 3/4"
7	7/8 x 6 Non-Locking T&G	57 1/4"
2	7/8 U-Channel	53 7/8"
2	2 1/4 x 3 1/2 Ext Cap	
42	#10 x 3/4" Screw	
2	2 1/4 x 3 1/2 Rail	71"

THIS DRAWING WAS MADE AND INTENDED FOR USE AS A GUIDE ONLY. ANY PRODUCT SUBSTITUTION OR VARIANCE MAY COMPROMISE THE STRUCTURE, DESIGN AND PERFORMANCE OF THE PRODUCT. NO WARRANTY IS EXPRESSED OR IMPLIED BY THIS DRAWING AND PLY GEM FENCE & RAIL.

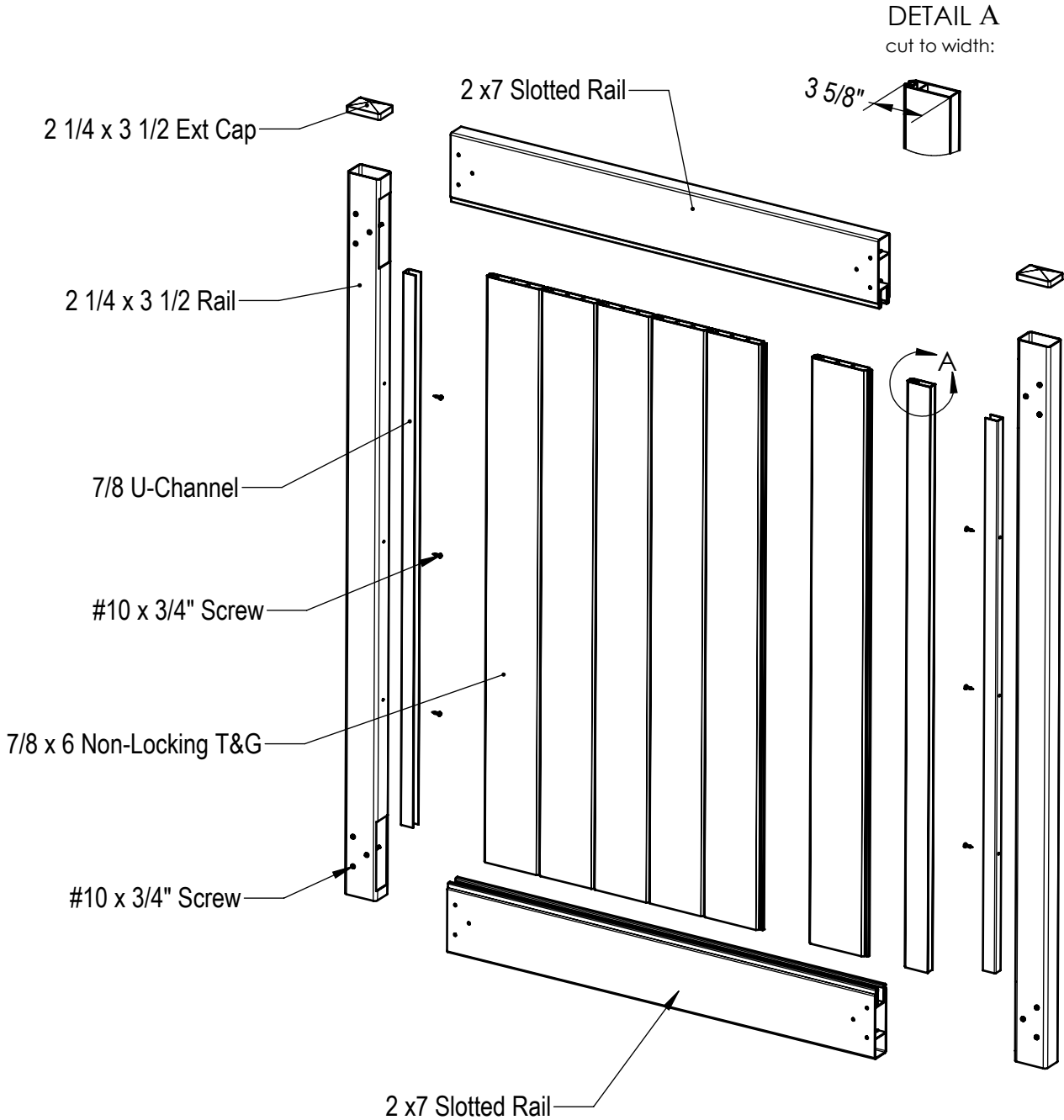
387
DRAWINGS ARE CONFIDENTIAL AND ARE THE PROPERTY OF PLY GEM FENCE & RAILING © MAR 2019.

P451

Sheet 1 of 2
05-31-19

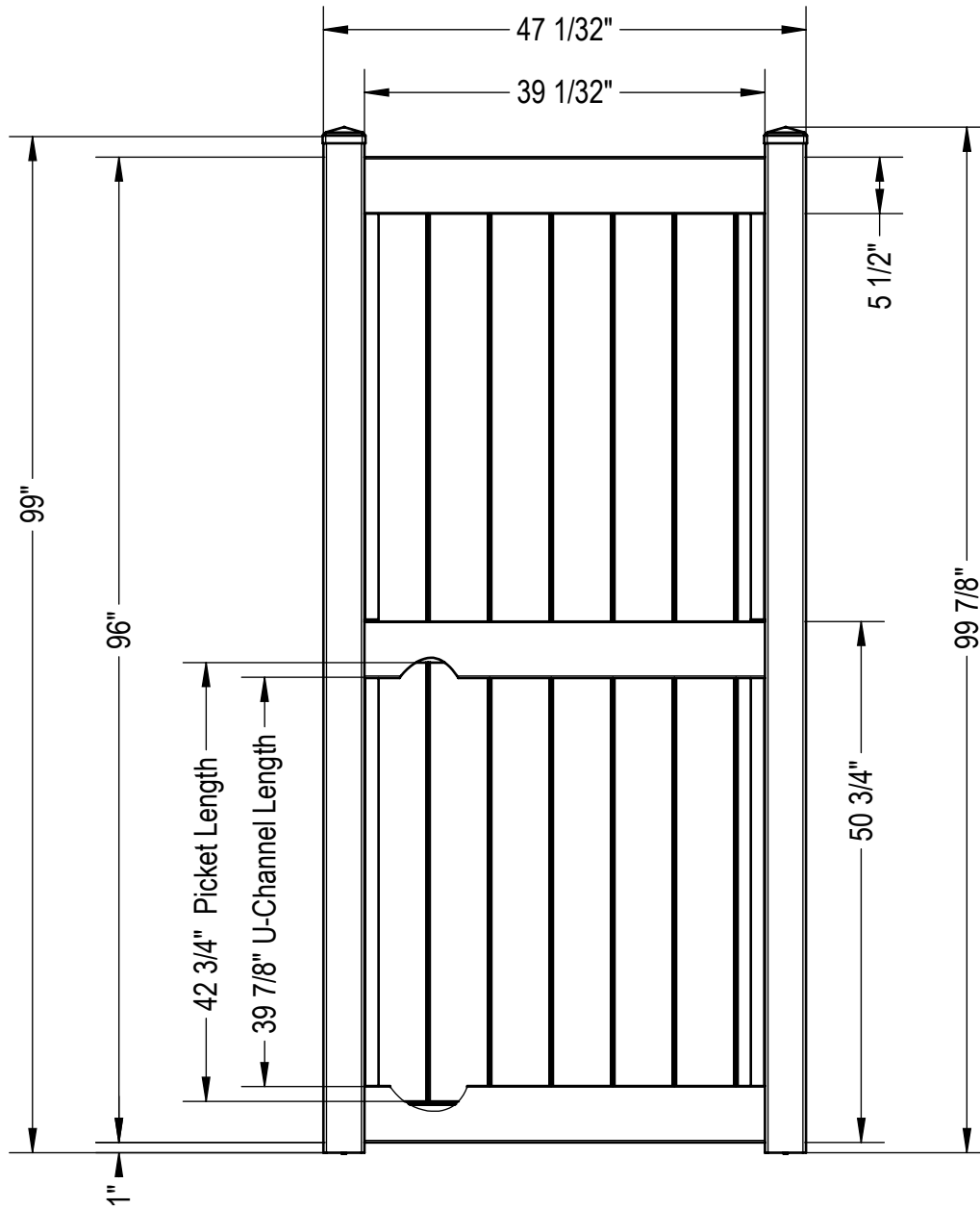
68"H x 46 31/32" W Classic Privacy Gate

with 2 x 7 Rail & 7/8 x 6 Non-Locking T&G Picket
2 1/4 x 3 1/2 Stiles



96"H x 47 1/32"W Classic Privacy Gate

with 1 1/2 x 5 1/2 Rail & 7/8 x 6 Non-Locking Picket
4 x 4 Stile



QTY	PART NUMBER	LENGTH
2	4 x 4 Post STD	99"
3	2 x 7 Slotted Rail	46 3/4"
14	7/8 x 6 Non-Locking T&G	40 3/4"
2	7/8 U-Channel	37 1/4"
4	1 1/2 x 5 1/2 x 4 Pocket Gate Block	
2	4 x 4 Decorative Cap	
4	1/4" x 8 timber screw	8"
6	#10 x 3/4" Screw	
1	1 1/2 x 5 1/2 Slotted Rail	46 3/4"

THIS DRAWING WAS MADE AND INTENDED FOR USE AS A GUIDE ONLY. ANY PRODUCT SUBSTITUTION OR VARIANCE MAY COMPROMISE THE STRUCTURE, DESIGN AND PERFORMANCE OF THE PRODUCT. NO WARRANTY IS EXPRESSED OR IMPLIED BY THIS DRAWING AND PLY GEM FENCE & RAIL.

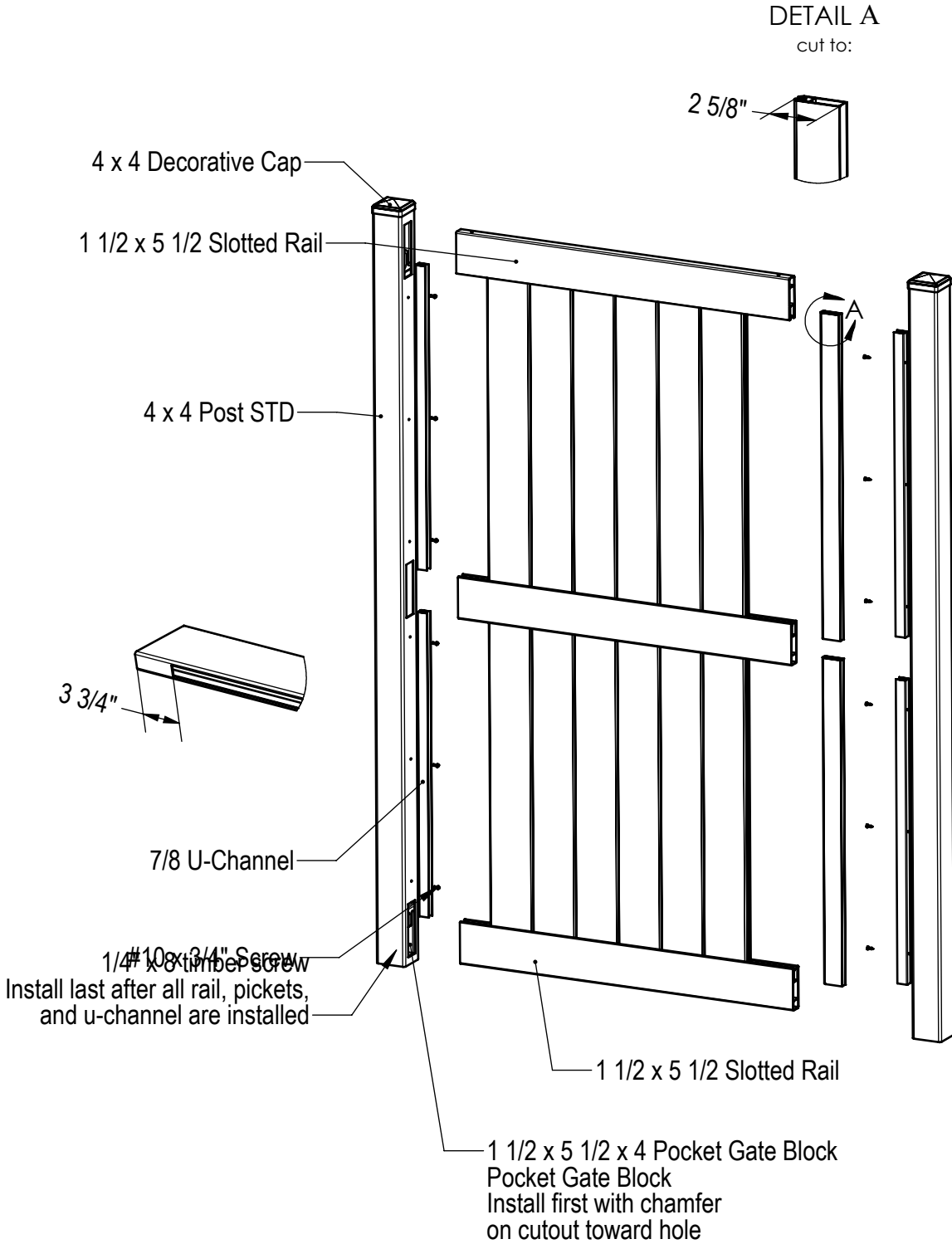
389
DRAWINGS ARE CONFIDENTIAL AND ARE THE PROPERTY OF PLY GEM FENCE & RAILING © MAR 2019.

P452

Sheet 1 of 2
06-01-19

96"H x 47 1/32"W Classic Privacy Gate

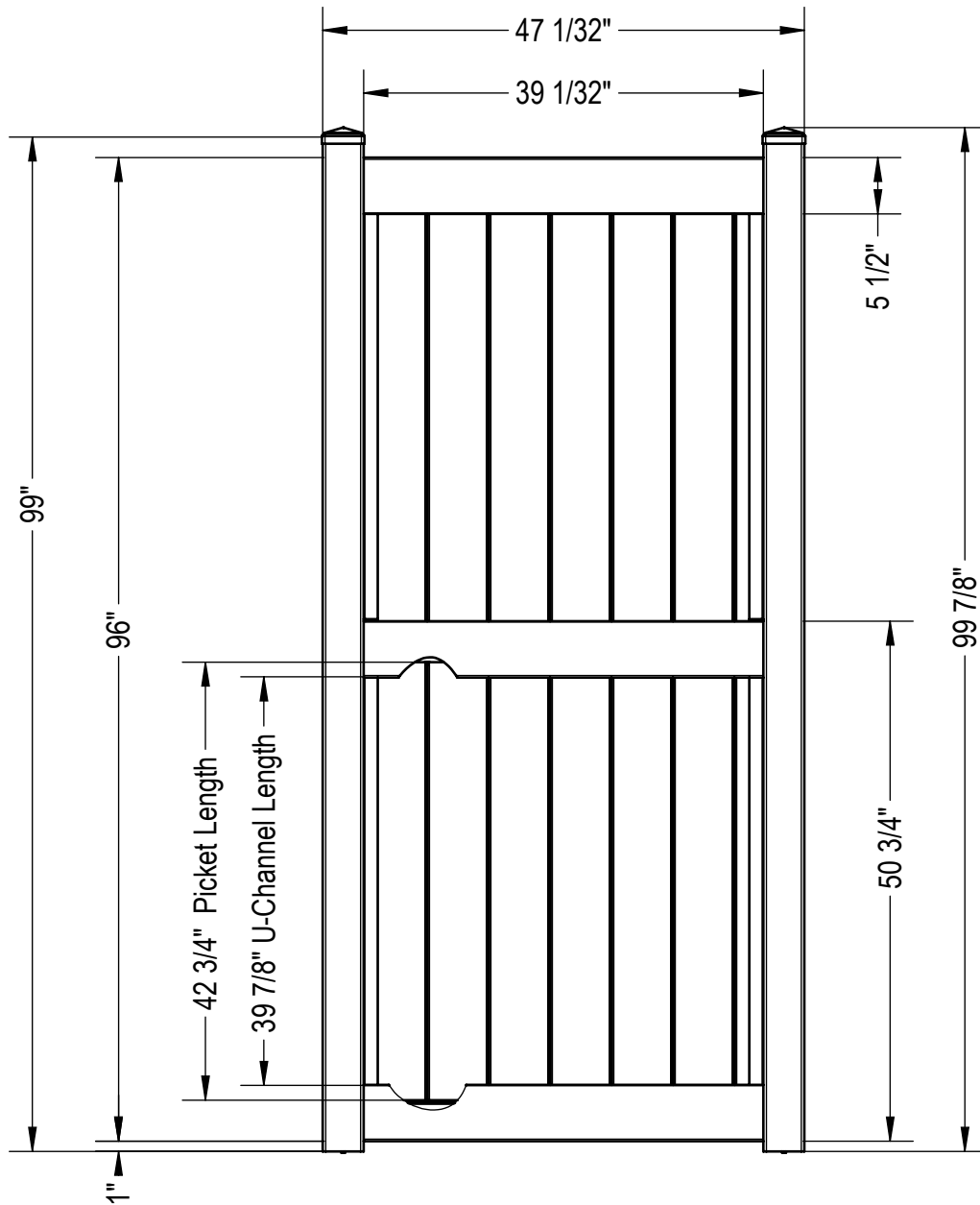
with 1 1/2 x 5 1/2 Rail & 7/8 x 6 Non-Locking Picket
4 x 4 Stile



96"H x 47 1/32"W Classic Privacy Gate

with 1 1/2 x 5 1/2 Rail & 7/8 x 6 T&G Picket

4 x 4 Stile



QTY	PART NUMBER	LENGTH
2	4 x 4 Post STD	99"
3	2 x7 Slotted Rail	46 3/4"
14	7/8 x 6 T&G	40 3/4"
2	7/8 U-Channel	37 1/4"
4	1 1/2 x 5 1/2 x 4 Pocket Gate Block	
2	4 x 4 Decorative Cap	
4	1/4" x 8 timber screw	8"
6	#10 x 3/4" Screw	
1	1 1/2 x 5 1/2 Slotted Rail	46 3/4"

THIS DRAWING WAS MADE AND INTENDED FOR USE AS A GUIDE ONLY. ANY PRODUCT SUBSTITUTION OR VARIANCE MAY COMPROMISE THE STRUCTURE, DESIGN AND PERFORMANCE OF THE PRODUCT. NO WARRANTY IS EXPRESSED OR IMPLIED BY THIS DRAWING AND PLY GEM FENCE & RAIL.

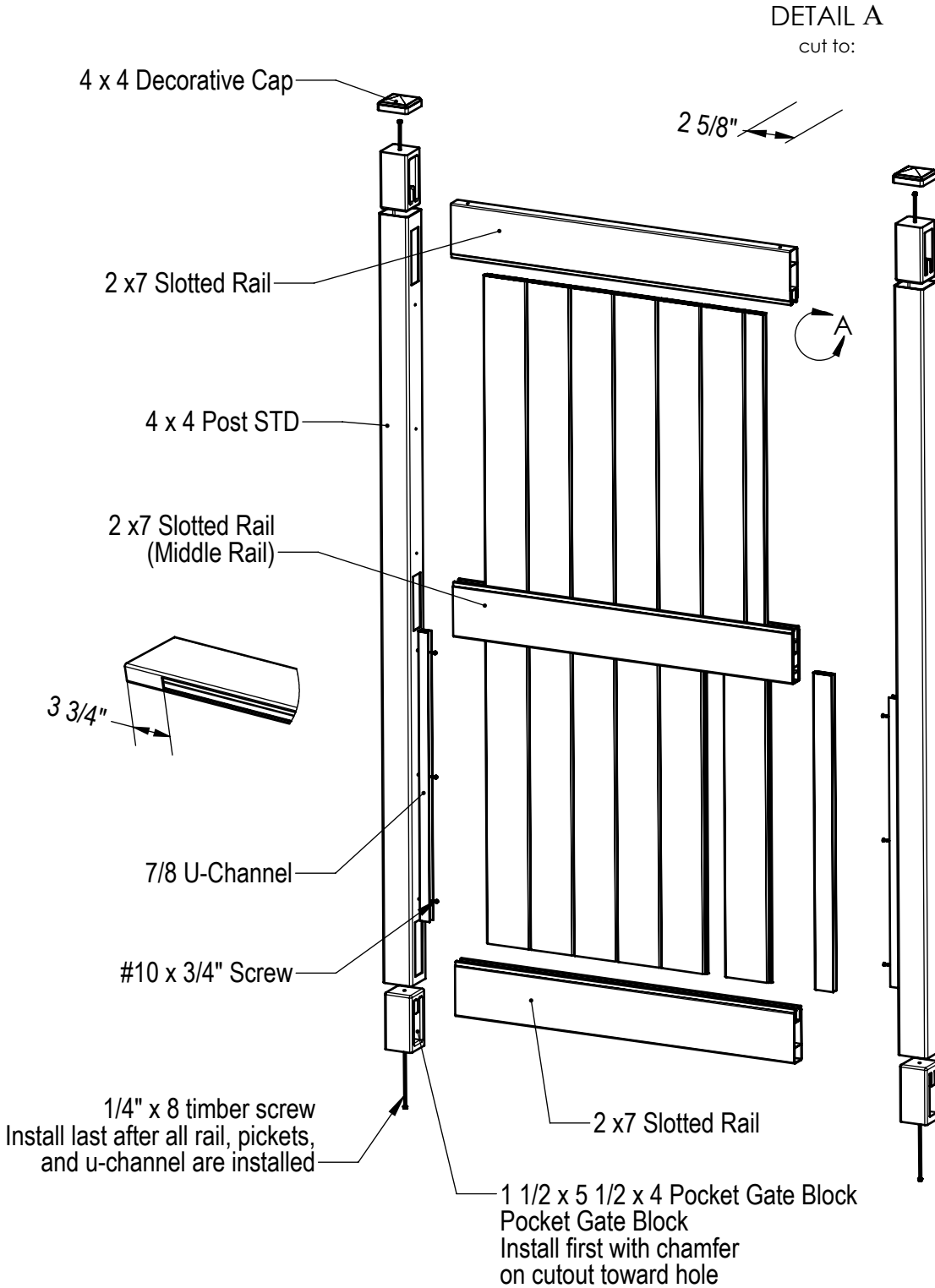
391
DRAWINGS ARE CONFIDENTIAL AND ARE THE PROPERTY OF PLY GEM FENCE & RAILING © MAR 2019.

P464

Sheet 1 of 2
06-01-19

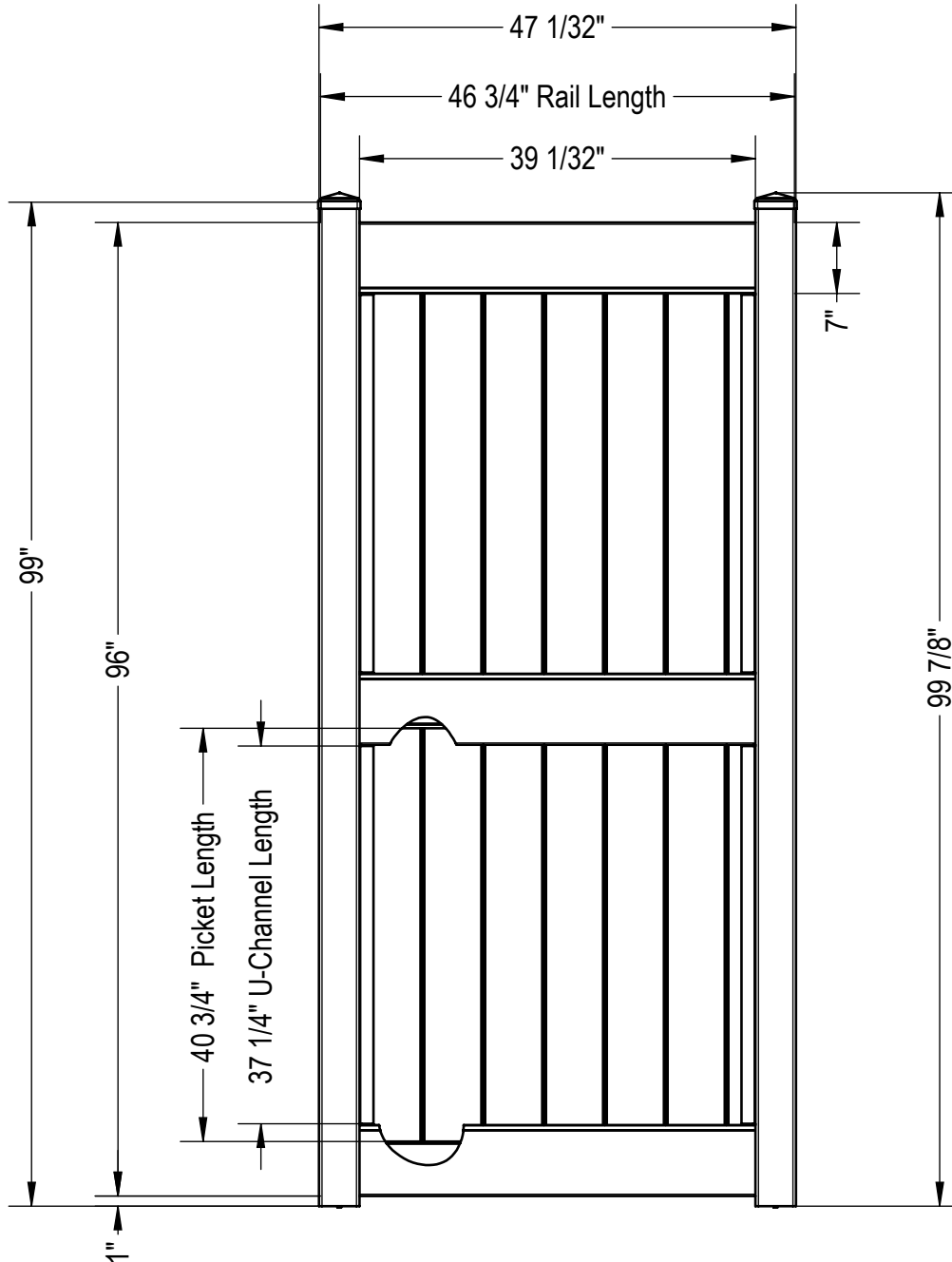
96"H x 47 1/32"W Classic Privacy Gate

with 1 1/2 x 5 1/2 Rail & 7/8 x 6 T&G Picket
4 x 4 Stile



96"H x 47 1/32"W Classic Privacy Gate

with 2 x 7 Rails & 7/8 x 6 Non-Locking T&G Pickets
4 x 4 Stile



QTY	PART NUMBER	LENGTH
2	4 x 4 Post STD	99"
3	2 x7 Slotted Rail	46 3/4"
14	7/8 x 6 Non-Locking T&G	40 3/4"
4	7/8 U-Channel	37 1/4"
4	1 1/2 x 5 1/2 x 4 Pocket Gate Block	
2	4 x 4 Decorative Cap	
4	1/4" x 8 timber screw	8"
12	#10 x 3/4" Screw	

THIS DRAWING WAS MADE AND INTENDED FOR USE AS A GUIDE ONLY. ANY PRODUCT SUBSTITUTION OR VARIANCE MAY COMPROMISE THE STRUCTURE, DESIGN AND PERFORMANCE OF THE PRODUCT. NO WARRANTY IS EXPRESSED OR IMPLIED BY THIS DRAWING AND PLY GEM FENCE & RAIL.

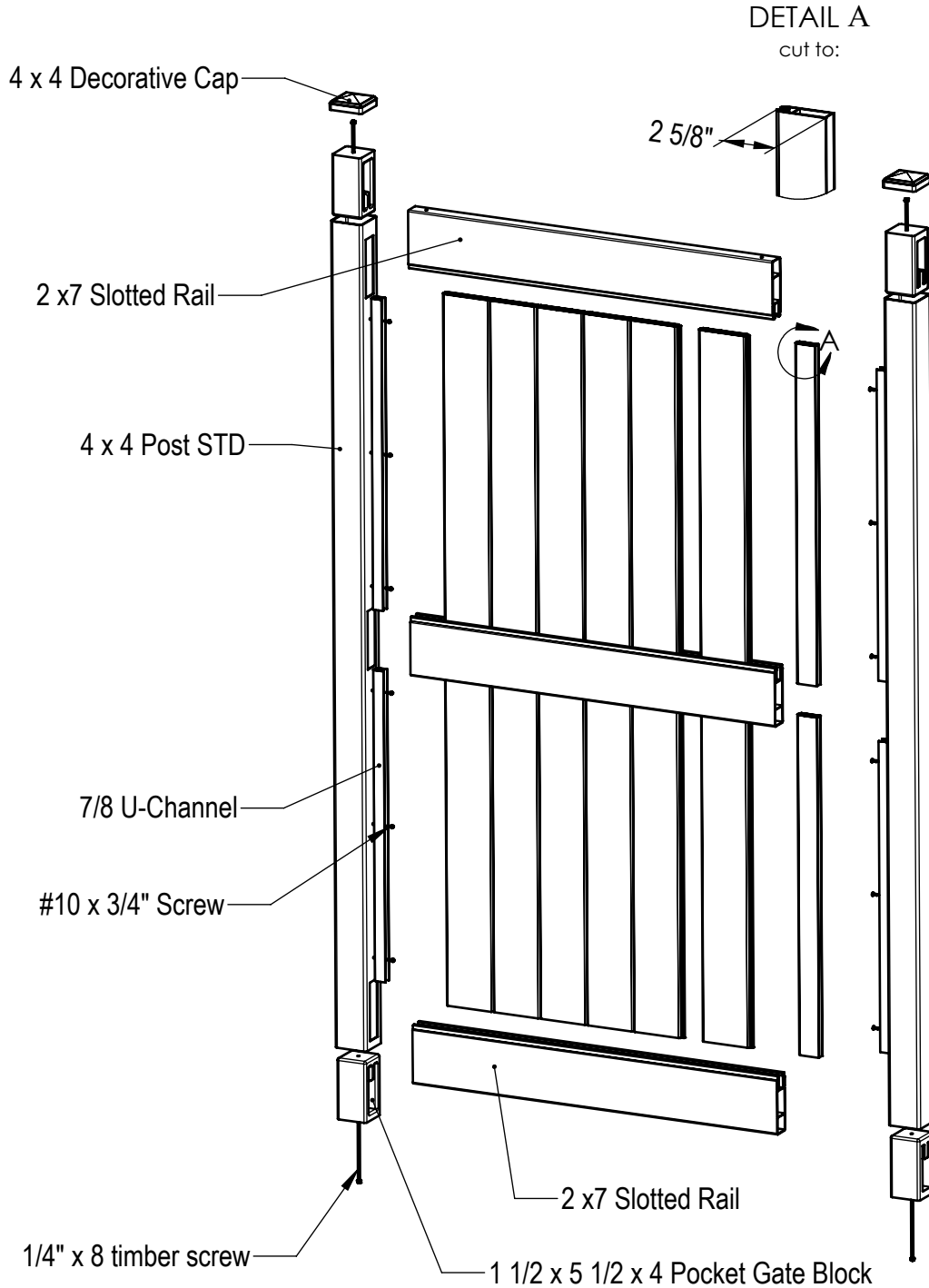
393
DRAWINGS ARE CONFIDENTIAL AND ARE THE PROPERTY OF PLY GEM FENCE & RAILING © MAR 2019.

P465

Sheet 1 of 2
06-07-19

96"H x 47 1/32"W Classic Privacy Gate

with 2 x 7 Rails & 7/8 x 6 Non-Locking T&G Pickets
4 x 4 Stile



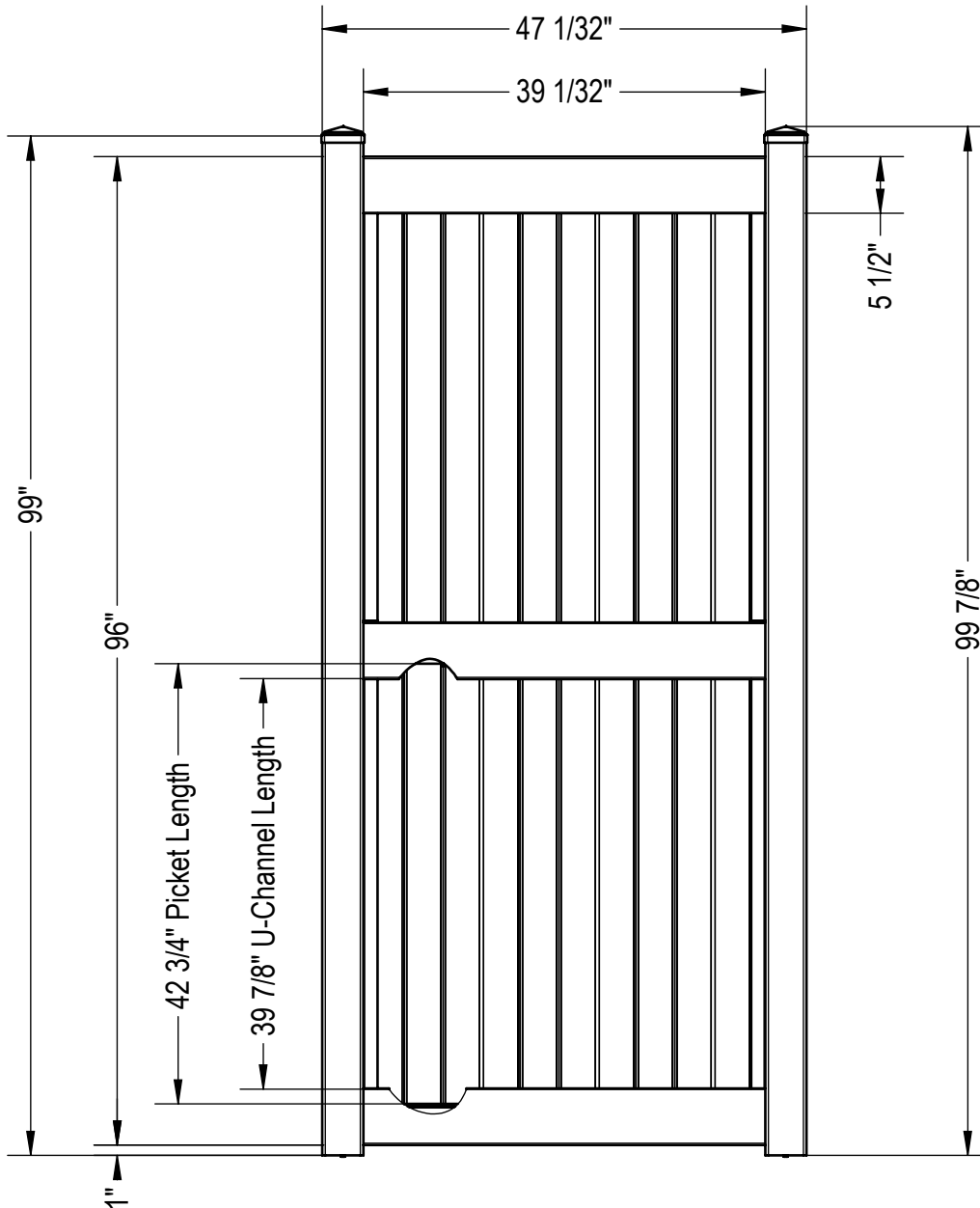
THIS DRAWING WAS MADE AND INTENDED FOR USE AS A GUIDE ONLY. ANY PRODUCT SUBSTITUTION OR VARIANCE MAY COMPROMISE THE STRUCTURE, DESIGN AND PERFORMANCE OF THE PRODUCT. NO WARRANTY IS EXPRESSED OR IMPLIED BY THIS DRAWING AND PLY GEM FENCE & RAIL.
DRAWINGS ARE CONFIDENTIAL AND ARE THE PROPERTY OF PLY GEM FENCE & RAILING © MAR 2019.

P465

Sheet 2 of 2
06-07-19

96"H x 47 1/32"W Classic Privacy Gate

with 1 1/2 x 5 1/2 Rail & 7/8 x 11 1/4 T&G Picket
4 x 4 Stile



QTY	PART NUMBER	LENGTH
2	4 x 4 Post STD	99"
3	1 1/2 x 5 1/2 Slotted Rail	46 3/4"
8	7/8 x 11 1/4" Picket	42 3/4"
4	7/8 U-Channel	39 7/8"
2	4 x 4 Decorative Cap	
12	#10 x 3/4" Screw	
4	1 1/2 x 5 1/2 x 4 Pocket Gate Block	
4	1/4" x 8 timber screw	8"

THIS DRAWING WAS MADE AND INTENDED FOR USE AS A GUIDE ONLY. ANY PRODUCT SUBSTITUTION OR VARIANCE MAY COMPROMISE THE STRUCTURE, DESIGN AND PERFORMANCE OF THE PRODUCT. NO WARRANTY IS EXPRESSED OR IMPLIED BY THIS DRAWING AND PLY GEM FENCE & RAIL.

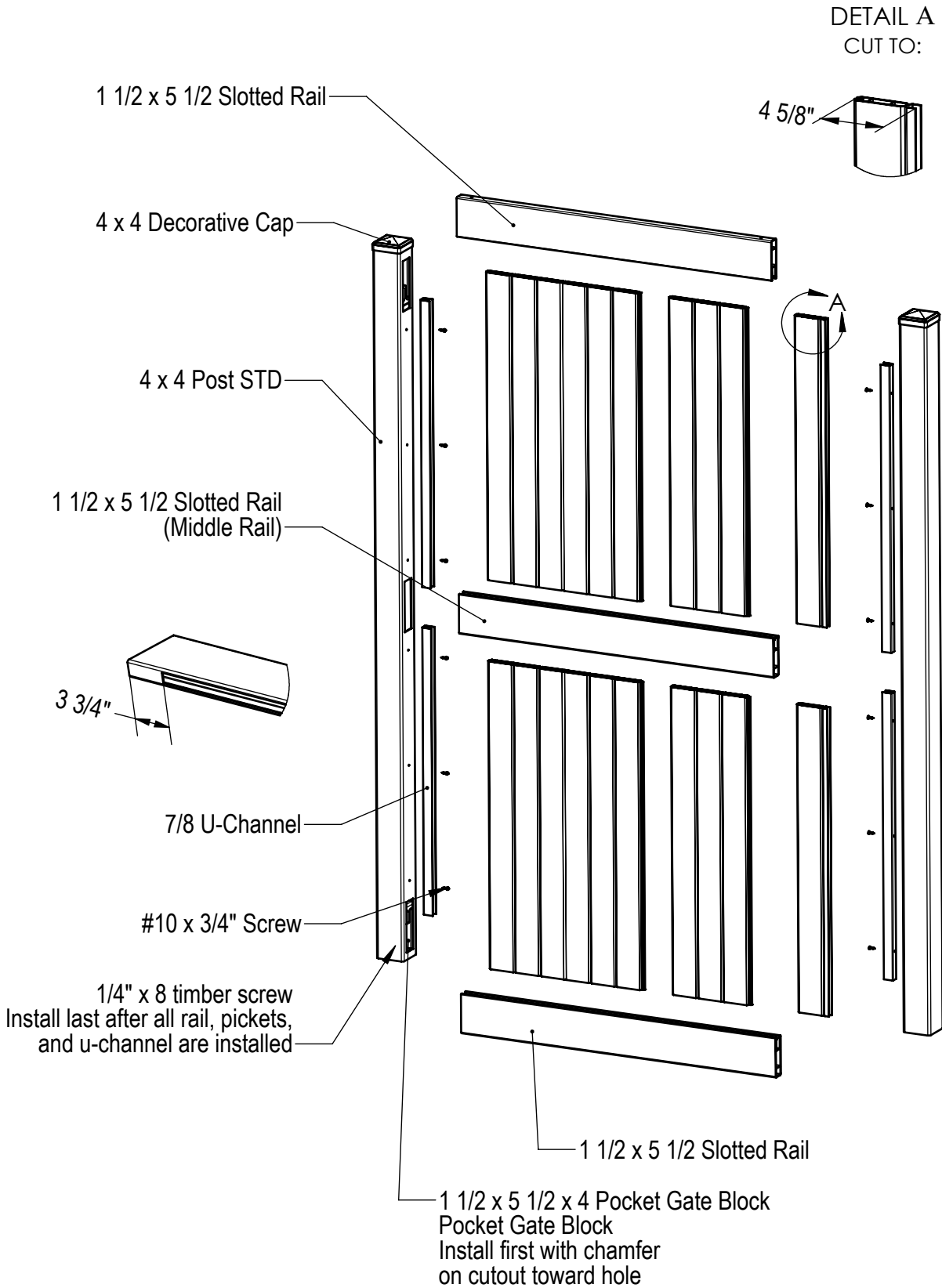
395
DRAWINGS ARE CONFIDENTIAL AND ARE THE PROPERTY OF PLY GEM FENCE & RAILING © MAR 2019.

P468

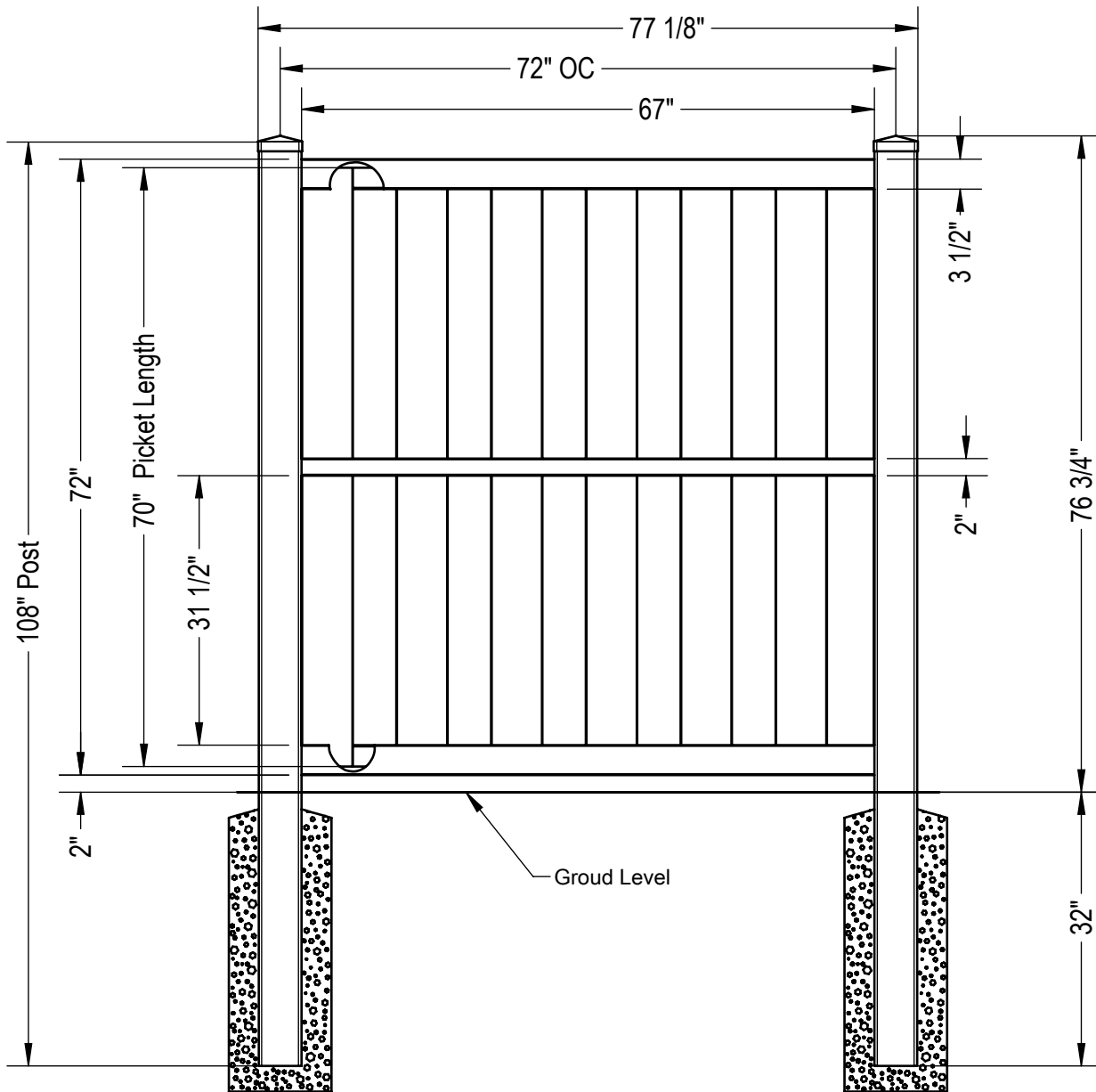
Sheet 1 of 2
06-01-19

96"H x 47 1/32"W Classic Privacy Gate

with 1 1/2 x 5 1/2 Rail & 7/8 x 11 1/4 T&G Picket
4 x 4 Stile



72"H x 72"W Shadow Box with 7/8 x 6 Rib Plank



QTY	PART NUMBER	LENGTH
2	5 x 5 Post	108"
1	3 1/2 x 3 1/2 Post	70"
1	3 1/2 x 3 1/2 Post (mirror)	70"
1	2 x 3 1/2 Post	70"
12	7/8 x 6 Rib Plank	70"
2	5 x 5 External Long Cap	

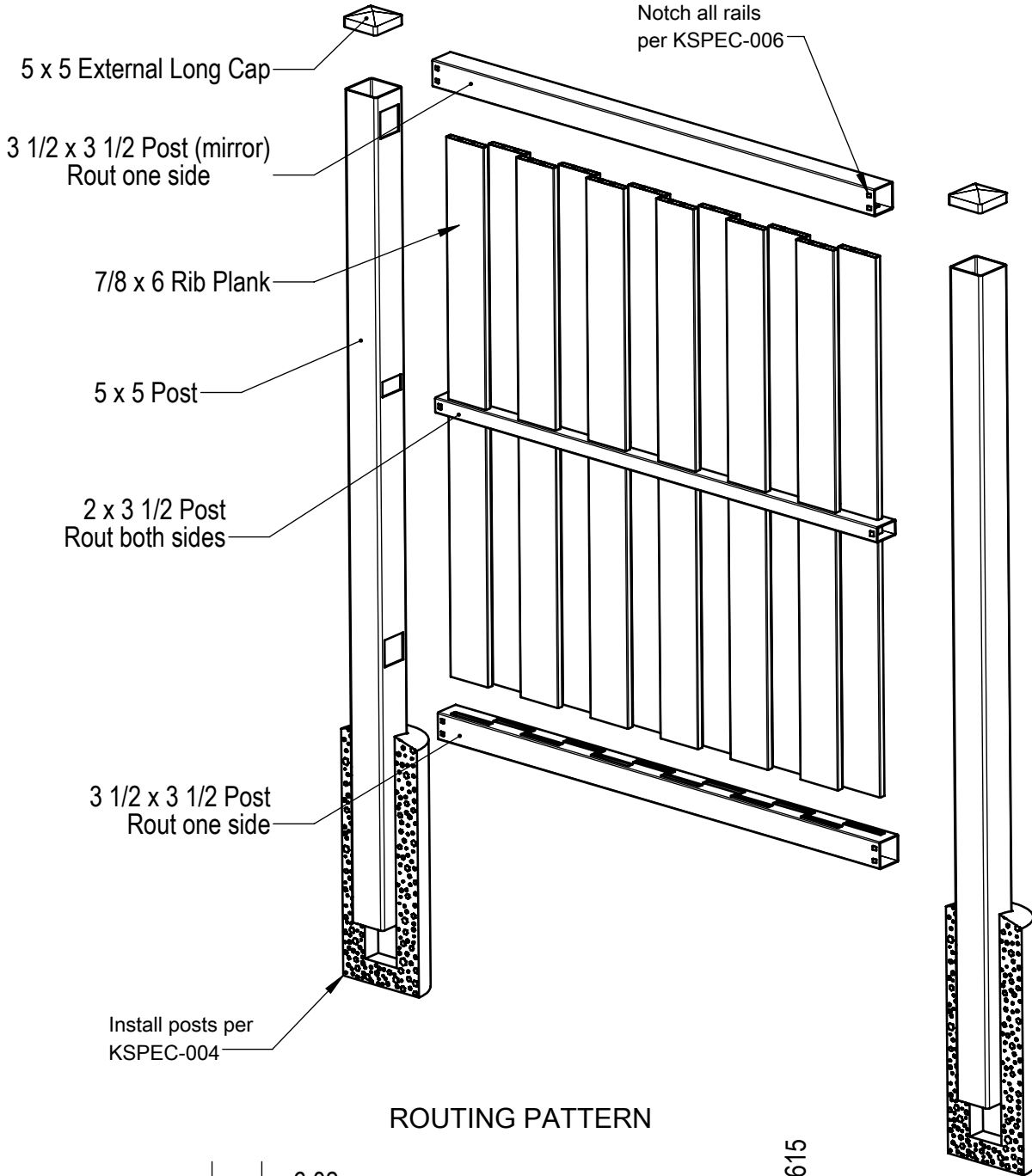
THIS DRAWING WAS MADE AND INTENDED FOR USE AS A GUIDE ONLY. ANY PRODUCT SUBSTITUTION OR VARIANCE MAY COMPROMISE THE STRUCTURE, DESIGN AND PERFORMANCE OF THE PRODUCT. NO WARRANTY IS EXPRESSED OR IMPLIED BY THIS DRAWING AND PLY GEM FENCE & RAIL.

397
DRAWINGS ARE CONFIDENTIAL AND ARE THE PROPERTY OF PLY GEM FENCE & RAILING © MAR 2019.

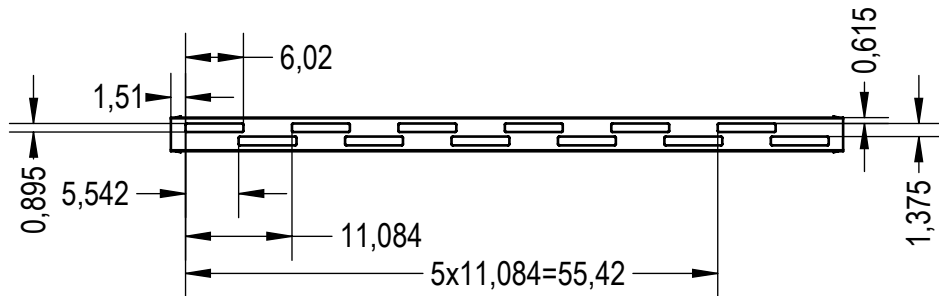
P472

Sheet 1 of 2
05-03-19

72''H x 72''W Shadow Box with 7/8 x 6 Rib Plank



ROUTING PATTERN



THIS DRAWING WAS MADE AND INTENDED FOR USE AS A GUIDE ONLY. ANY PRODUCT SUBSTITUTION OR VARIANCE MAY COMPROMISE THE STRUCTURE, DESIGN AND PERFORMANCE OF THE PRODUCT. NO WARRANTY IS EXPRESSED OR IMPLIED BY THIS DRAWING AND PLY GEM FENCE & RAIL.

398

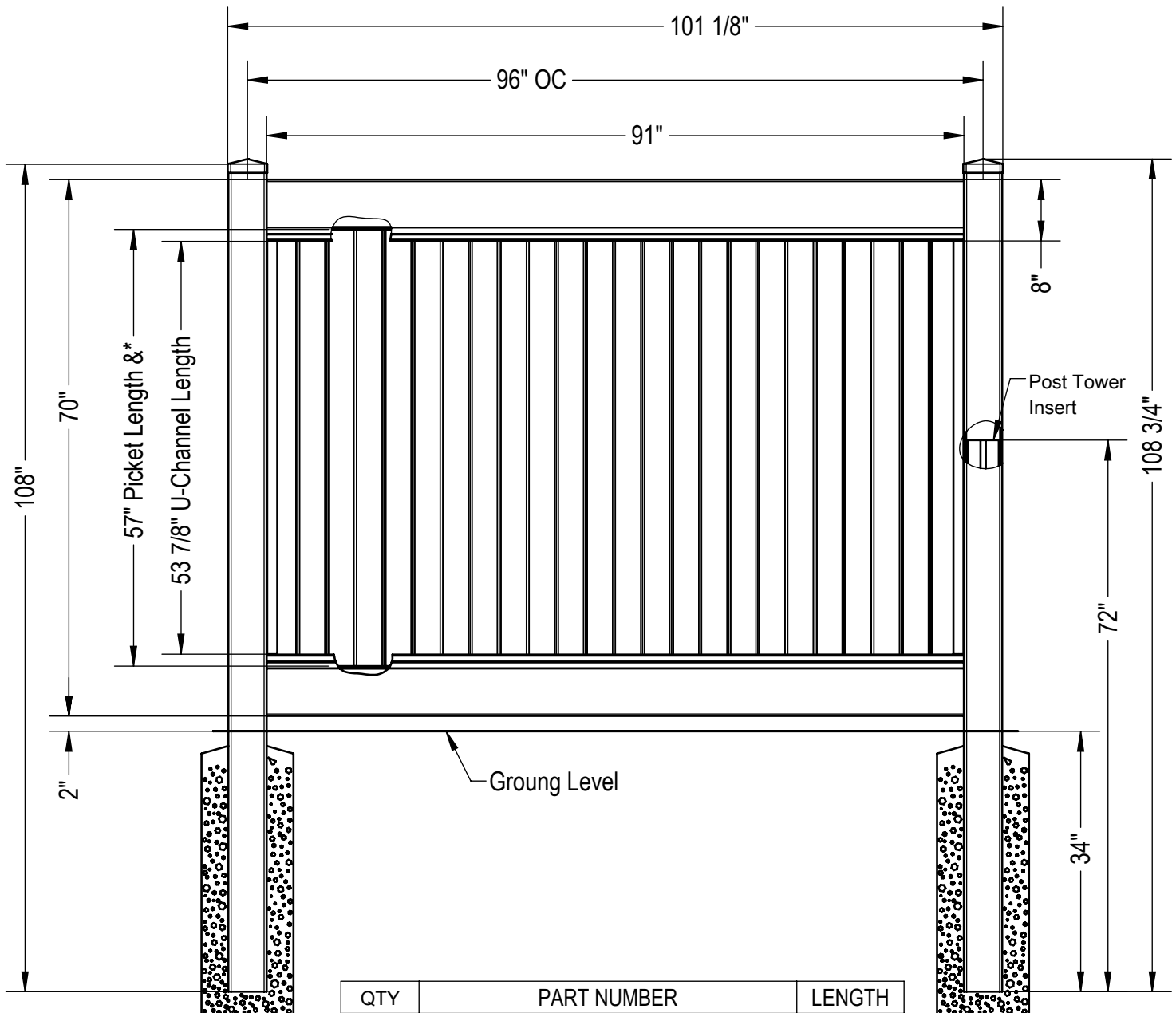
DRAWINGS ARE CONFIDENTIAL AND ARE THE PROPERTY OF PLY GEM FENCE & RAILING © MAR 2019.

P472

Sheet 2 of 2
05-03-19

70"H x 96"W Classic Privacy

with 1 3/4 x 8 Rails & 7/8 x 11 1/4 T&G Pickets



QTY	PART NUMBER	LENGTH
2	5 x 5 Post	108"
2	1 3/4 x 8 Slotted Rail	94 1/2"
8	7/8 x 11 1/4" Picket	57"
2	7/8 U-Channel	53 7/8"
2	5 x 5 Post Tower Insert	72"
1	1 3/4 x 8 Slot. Insert	94 1/2"
2	5 x 5 External Long Cap	
6	#10 x 3/4" Screw	

NOTE:

* 7/8 x 11 1/4 x 57" Picket length is not a standard length. Picket shortened to allow at least 1/4" space from bottom of slot. Standard length is 57 1/4". Bottom rail can be router 1/4 inch lower to use standard picket.

THIS DRAWING WAS MADE AND INTENDED FOR USE AS A GUIDE ONLY. ANY PRODUCT SUBSTITUTION OR VARIANCE MAY COMPROMISE THE STRUCTURE, DESIGN AND PERFORMANCE OF THE PRODUCT.

NO WARRANTY IS EXPRESSED OR IMPLIED BY THIS DRAWING AND PLY GEM FENCE & RAIL.

399
DRAWINGS ARE CONFIDENTIAL AND ARE THE PROPERTY OF PLY GEM FENCE & RAILING © MAR 2019.

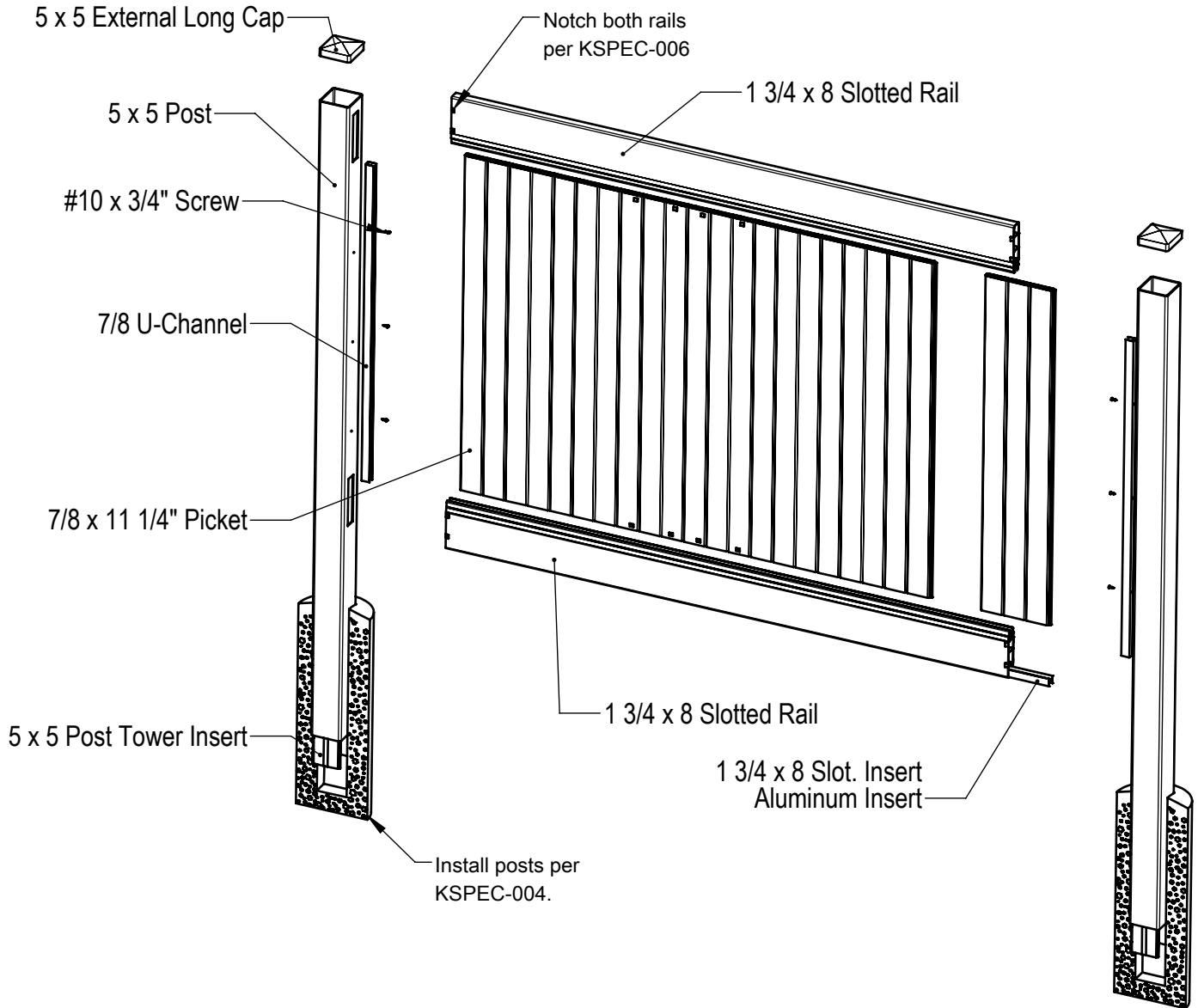
P473

Sheet 1 of 2

10-02-19

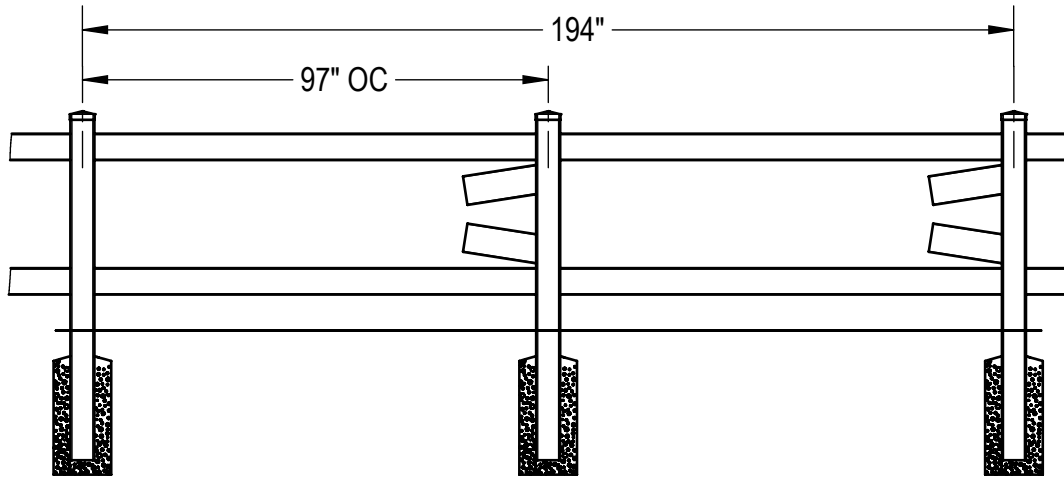
70"H x 96"W Classic Privacy

with 1 3/4 x 8 Rails & 7/8 x 11 1/4 T&G Pickets

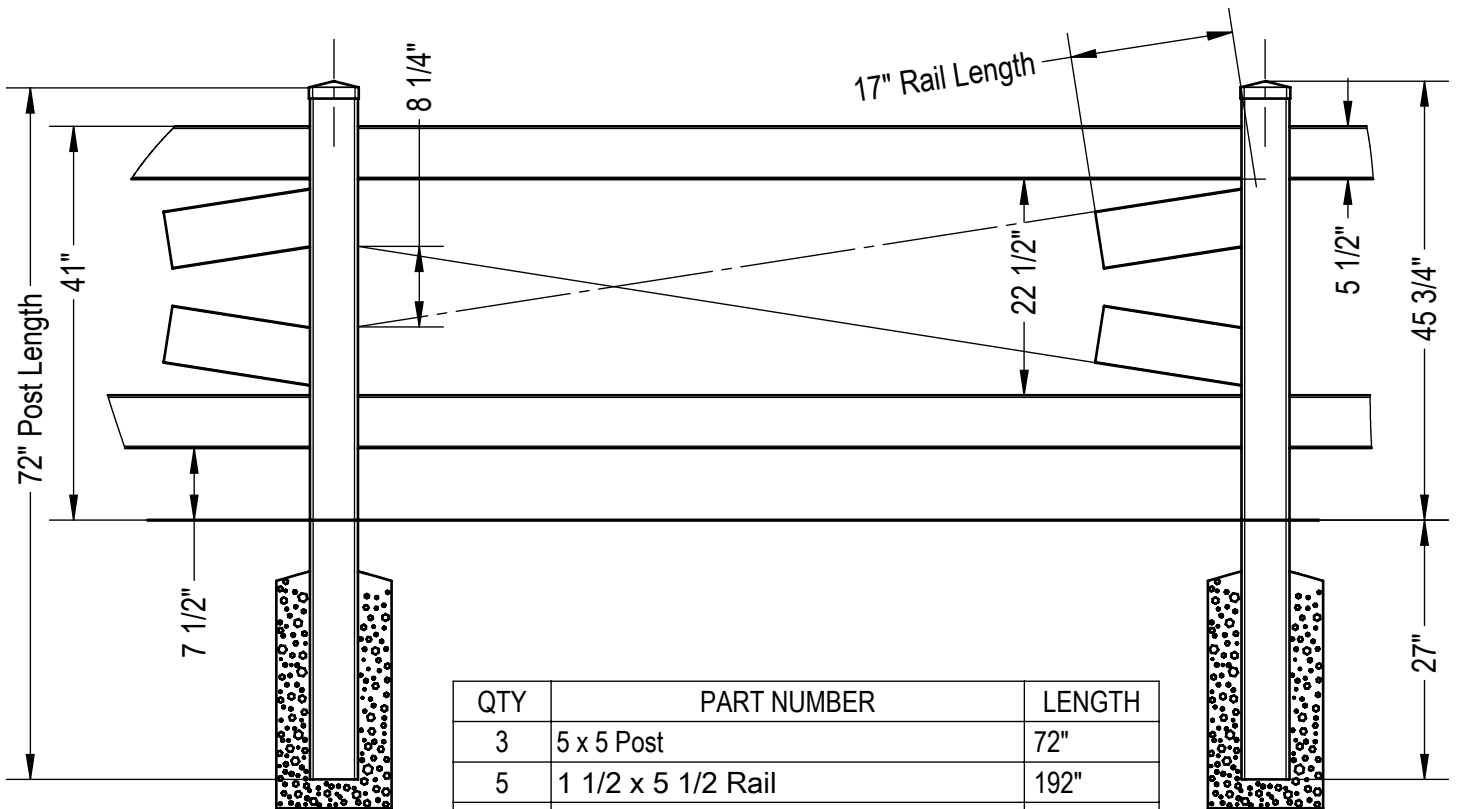


41" H x 97" W Crossback Rail

with 1 1/2 x 5 1/2 Rail & 7/8 x 6 Ribbed Plank



NOTE: STAGGER JOINTS OF 1 1/2 x 5 1/2 RAILS IN EVERY OTHER POST



QTY	PART NUMBER	LENGTH
3	5 x 5 Post	72"
5	1 1/2 x 5 1/2 Rail	192"
4	7/8 x 6 Rib Plank	17"
3	5 x 5 External Long Cap	

THIS DRAWING WAS MADE AND INTENDED FOR USE AS A GUIDE ONLY. ANY PRODUCT SUBSTITUTION OR VARIANCE MAY COMPROMISE THE STRUCTURE, DESIGN AND PERFORMANCE OF THE PRODUCT. NO WARRANTY IS EXPRESSED OR IMPLIED BY THIS DRAWING AND PLY GEM FENCE & RAIL.

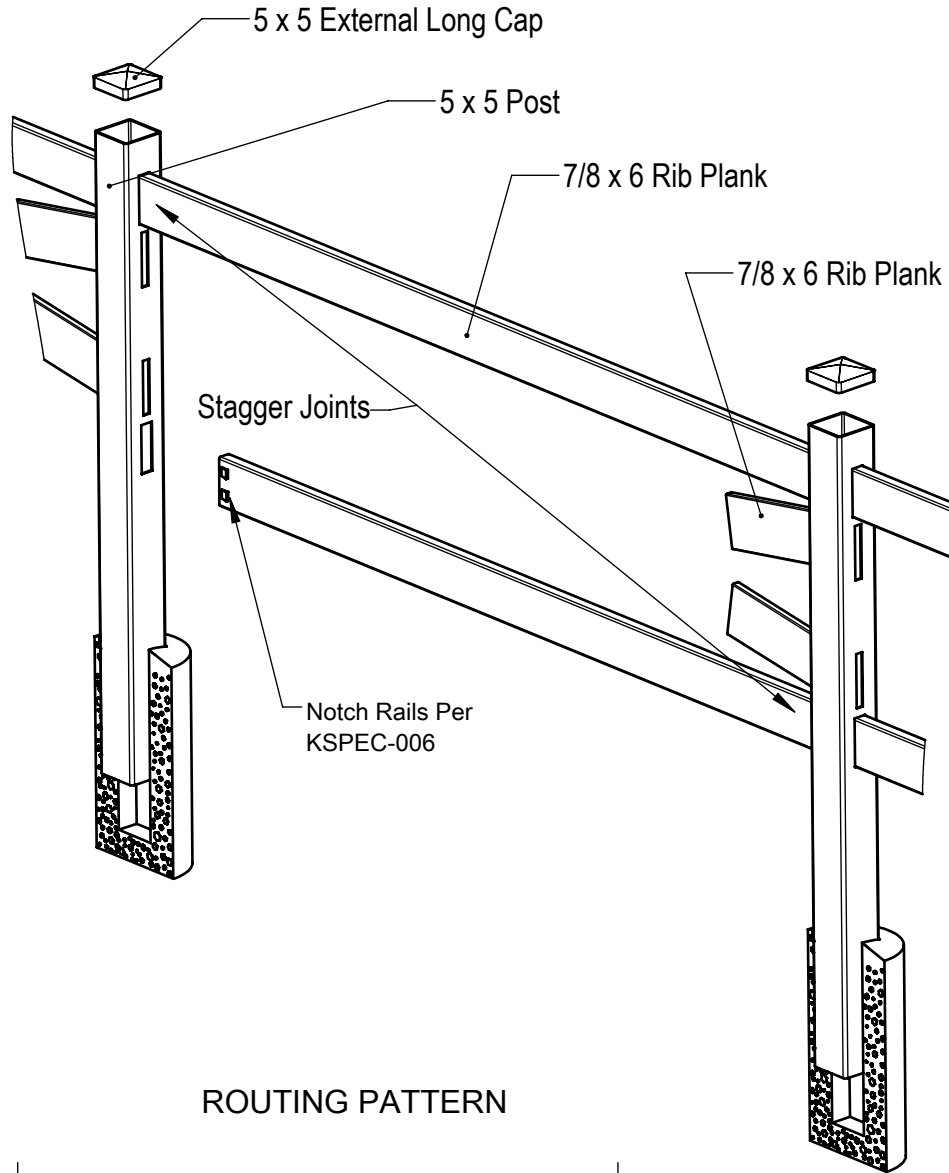
401
DRAWINGS ARE CONFIDENTIAL AND ARE THE PROPERTY OF PLY GEM FENCE & RAILING © OCT 2019.

P474

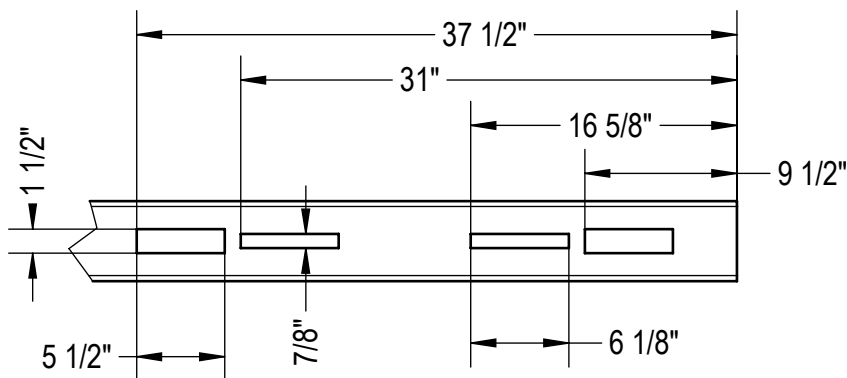
Sheet 1 of 2
10-19-19

41" H x 97" W Crossbucket Rail

with 1 1/2 x 5 1/2 Rail & 7/8 x 6 Ribbed Plank



ROUTING PATTERN



THIS DRAWING WAS MADE AND INTENDED FOR USE AS A GUIDE ONLY. ANY PRODUCT SUBSTITUTION OR VARIANCE MAY COMPROMISE THE STRUCTURE, DESIGN AND PERFORMANCE OF THE PRODUCT. NO WARRANTY IS EXPRESSED OR IMPLIED BY THIS DRAWING AND PLY GEM FENCE & RAIL.

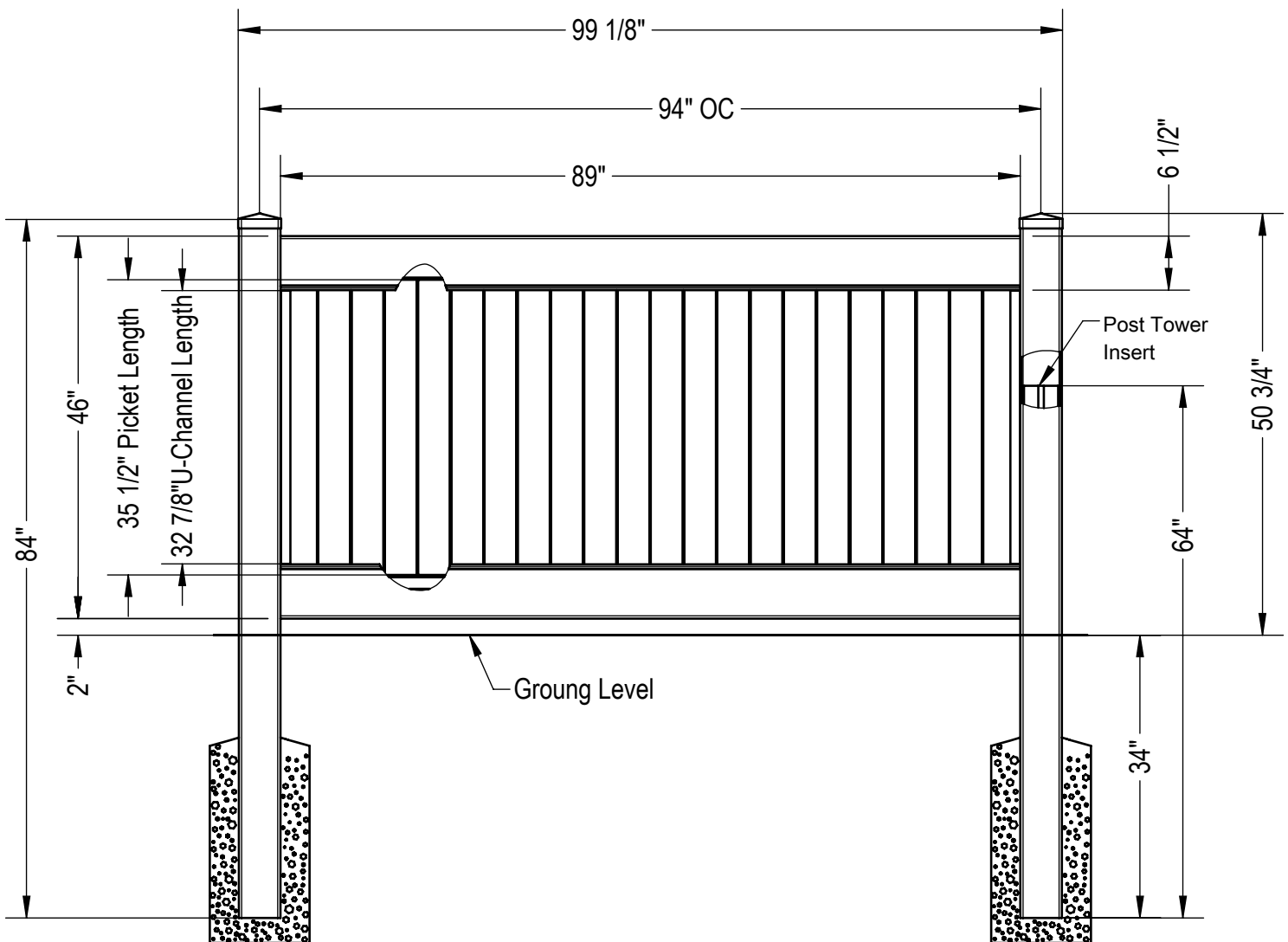
402
DRAWINGS ARE CONFIDENTIAL AND ARE THE PROPERTY OF PLY GEM FENCE & RAILING © MAR 2019.

P474

Sheet 2 of 2
10-19-19

46" H x 94" W Solid Privacy

with 2 x 6 1/2 Slotted Rail & 1 x 8 T&G Picket



QTY.	PART NUMBER	LENGTH
1	5 x 5 Post	84"
2	5 x 5 Post Tower Insert	64"
2	2 x 6 1/2 Slotted Rail	92"
2	1" U-Channel	32 7/8"
11	1 x 8 T&G Picket	35 1/2"
6	#10 x 3/4" Screw	
2	5 x 5 External Long Cap	
	Insert for Khaki and WS colors	
1	2 x 3 1/2 P-Channel	92"
1	5 x 5 Post	84"

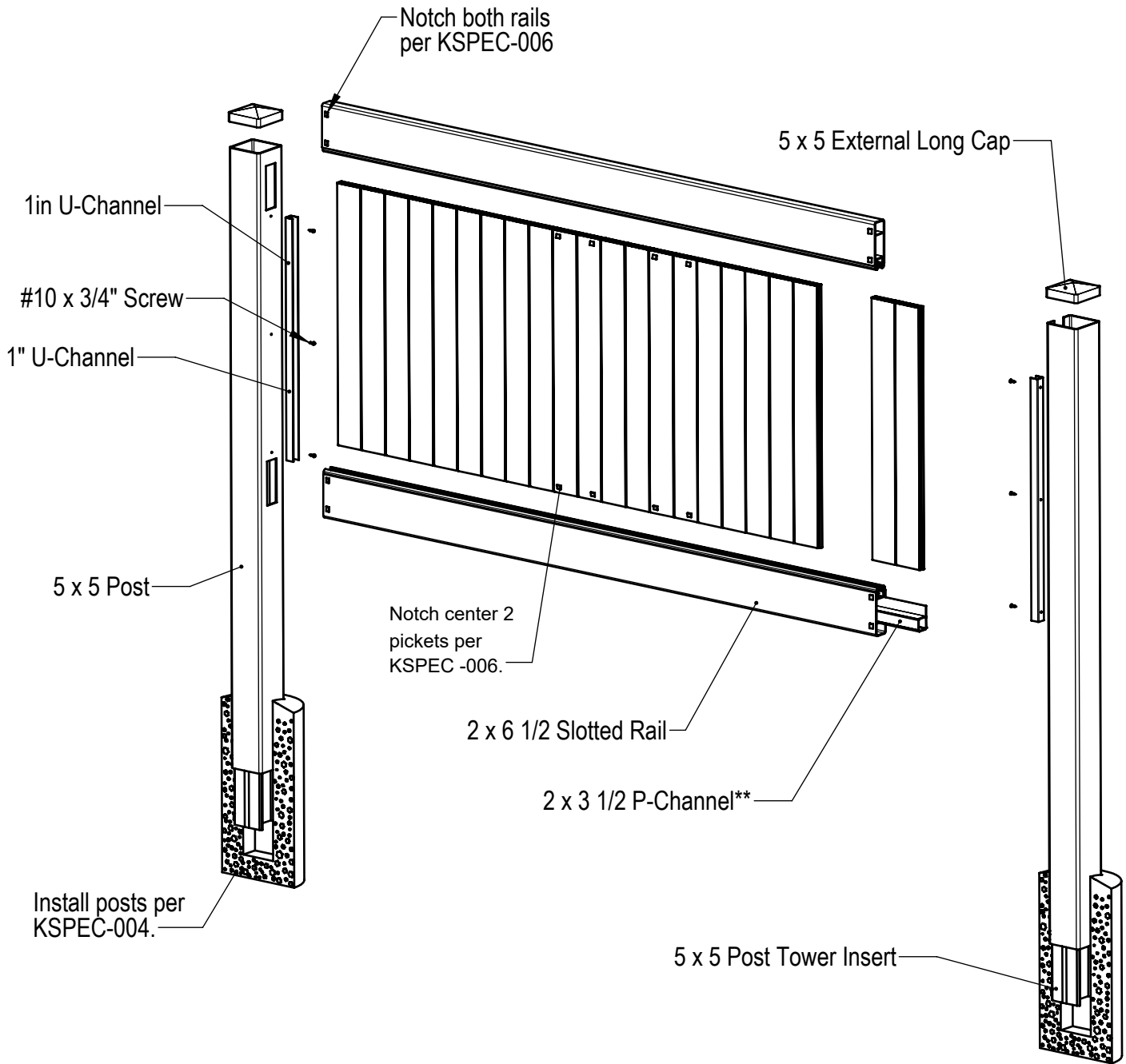
THIS DRAWING WAS MADE AND INTENDED FOR USE AS A GUIDE ONLY. ANY PRODUCT SUBSTITUTION OR VARIANCE MAY COMPROMISE THE STRUCTURE, DESIGN AND PERFORMANCE OF THE PRODUCT. NO WARRANTY IS EXPRESSED OR IMPLIED BY THIS DRAWING AND PLY GEM FENCE & RAIL.

403 DRAWINGS ARE CONFIDENTIAL AND ARE THE PROPERTY OF PLY GEM FENCE & RAILING © MAR 2019.

P475

Sheet 1 of 2
11-18-19

46" H x 94" W Solid Privacy with 2 x 6 1/2 Slotted Rail & 1 x 8 T&G Picket

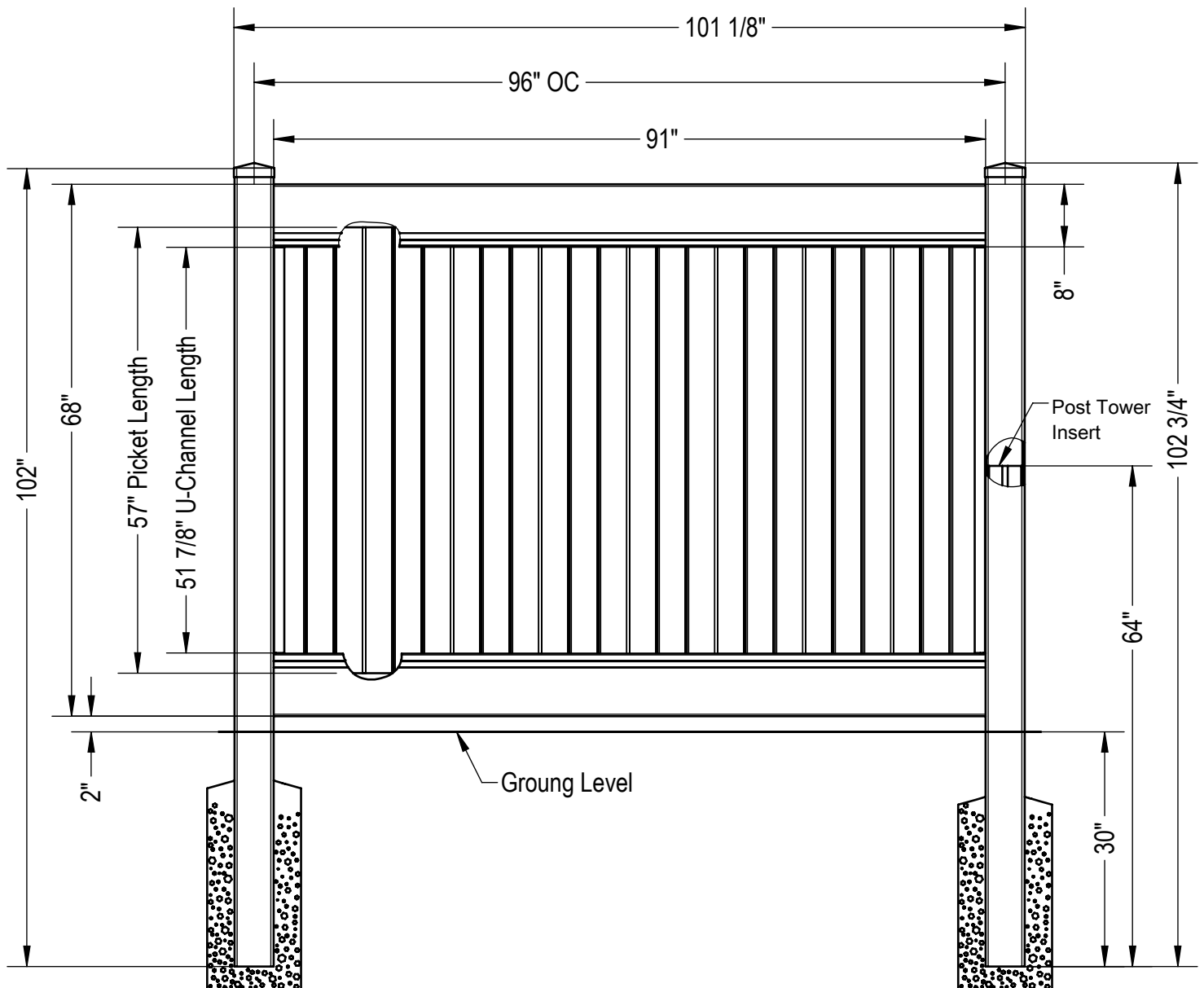


**Aluminum insert required on Khaki and all Woodland Select colors.

THIS DRAWING WAS MADE AND INTENDED FOR USE AS A GUIDE ONLY. ANY PRODUCT SUBSTITUTION OR VARIANCE MAY COMPROMISE THE STRUCTURE, DESIGN AND PERFORMANCE OF THE PRODUCT. NO WARRANTY IS EXPRESSED OR IMPLIED BY THIS DRAWING AND PLY GEM FENCE & RAIL.

68"H x 96"W Classic Privacy

with 2 x 7 Rail & 7/8 x 6 T&G Picket



QTY	PART NUMBER	LENGTH
2	5 x 5 Post	102"
2	5 x 5 Post Tower Insert	64"
2	1 3/4 x 8 Slotted Rail	94 1/2"
1	1 3/4 x 8 Slot. Insert	94 1/2"
8	7/8 x 11 1/4" Picket	57"
2	7/8 U-Channel	51 7/8"
2	5 x 5 External Long Cap	
6	#10 x 3/4" Screw	

THIS DRAWING WAS MADE AND INTENDED FOR USE AS A GUIDE ONLY. ANY PRODUCT SUBSTITUTION OR VARIANCE MAY COMPROMISE THE STRUCTURE, DESIGN AND PERFORMANCE OF THE PRODUCT. NO WARRANTY IS EXPRESSED OR IMPLIED BY THIS DRAWING AND PLY GEM FENCE & RAIL.

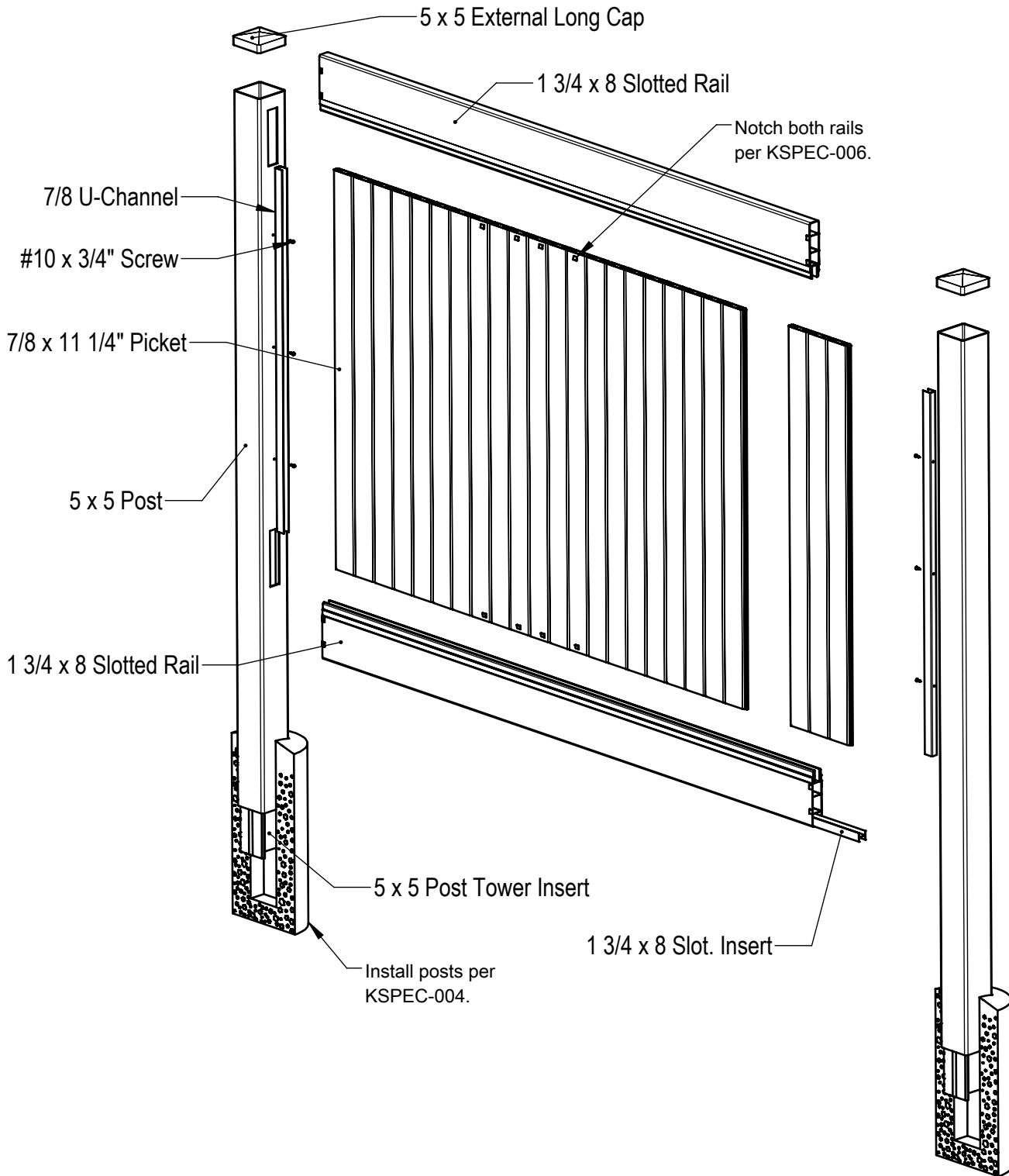
405
DRAWINGS ARE CONFIDENTIAL AND ARE THE PROPERTY OF PLY GEM FENCE & RAILING © MAR 2019.

P476

Sheet 1 of 2

03-16-20

68"H x 96"W Classic Privacy with 2 x 7 Rail & 7/8 x 6 T&G Picket



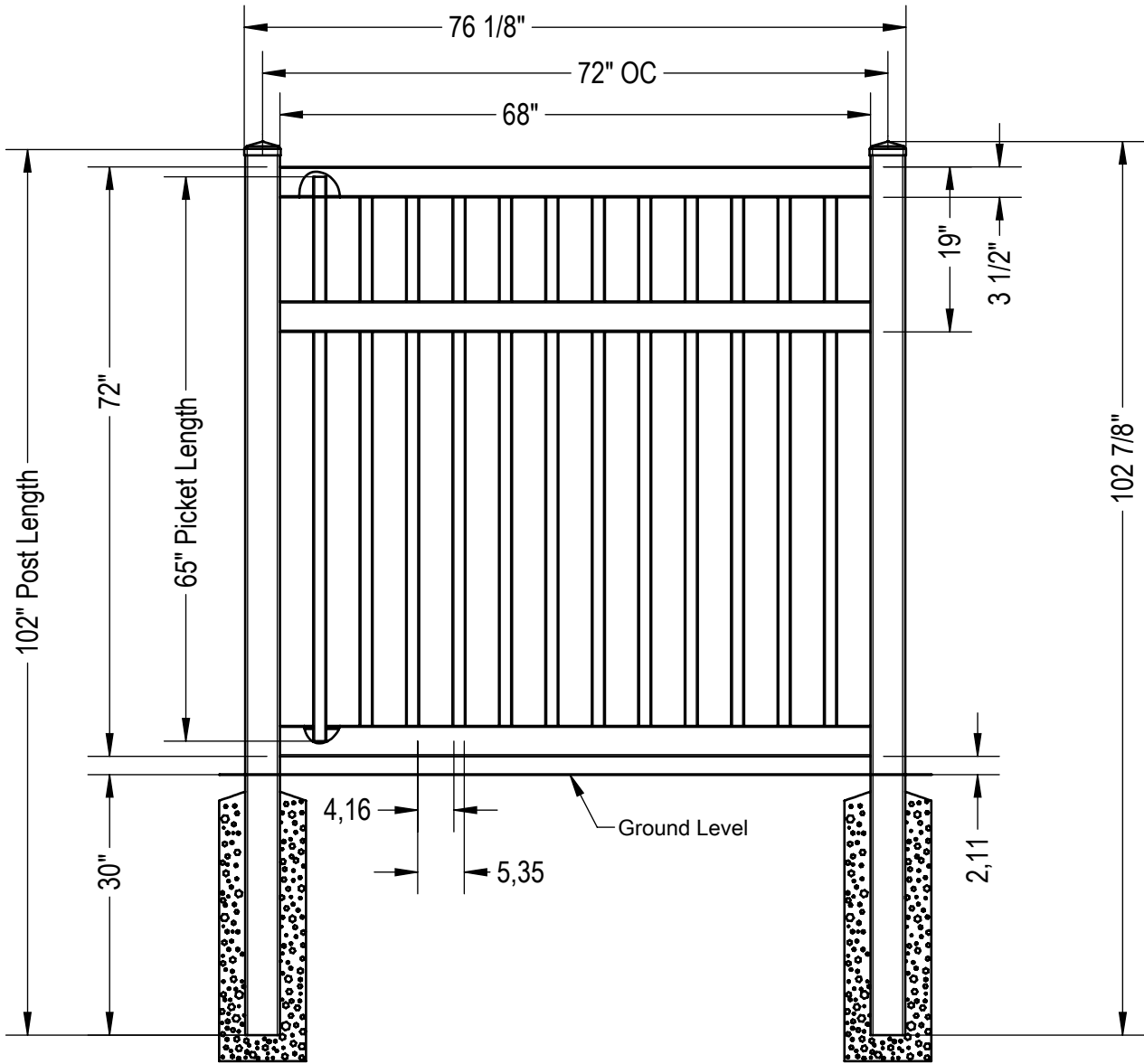
THIS DRAWING WAS MADE AND INTENDED FOR USE AS A GUIDE ONLY. ANY PRODUCT SUBSTITUTION OR VARIANCE MAY COMPROMISE THE STRUCTURE, DESIGN AND PERFORMANCE OF THE PRODUCT. NO WARRANTY IS EXPRESSED OR IMPLIED BY THIS DRAWING AND PLY GEM FENCE & RAIL.
406
DRAWINGS ARE CONFIDENTIAL AND ARE THE PROPERTY OF PLY GEM FENCE & RAILING © MAR 2019.

P476

Sheet 2 of 2
03-16-20

68" H x 72" W Closed Pool Fence

with 7/8 x 1 1/2 Pickets - 3 7/8" Gap



QTY	PART NUMBER	LENGTH
2	4 x 4 Post RW	102"
2	2 x 3 1/2 Open STD Rail	71"
1	2 x 3 1/2 P-Channel	71"
12	7/8 x 1 1/2 Picket	65"
2	4 x4 Decorative Cap	
1	2 x 3 1/2 Open STD Rail	

MEETS IBC (INTERNATIONAL BUILDING CODE) REQUIREMENTS FOR SWIMMING POOL ENCLOSURES, SECTION 3109, AND IRC (INTERNATIONAL RESIDENTIAL CODE) REQUIREMENTS FOR SWIMMING POOL ENCLOSURES, SECTION AG105. CHECK WITH YOUR LOCAL BUILDING CODE OFFICIALS TO MAKE SURE THEY ACCEPT THESE DIMENSIONAL LIMITATIONS.

THIS DRAWING WAS MADE AND INTENDED FOR USE AS A GUIDE ONLY. ANY PRODUCT SUBSTITUTION OR VARIANCE MAY COMPROMISE THE STRUCTURE, DESIGN AND PERFORMANCE OF THE PRODUCT. NO WARRANTY IS EXPRESSED OR IMPLIED BY THIS DRAWING AND PLY GEM FENCE & RAIL.

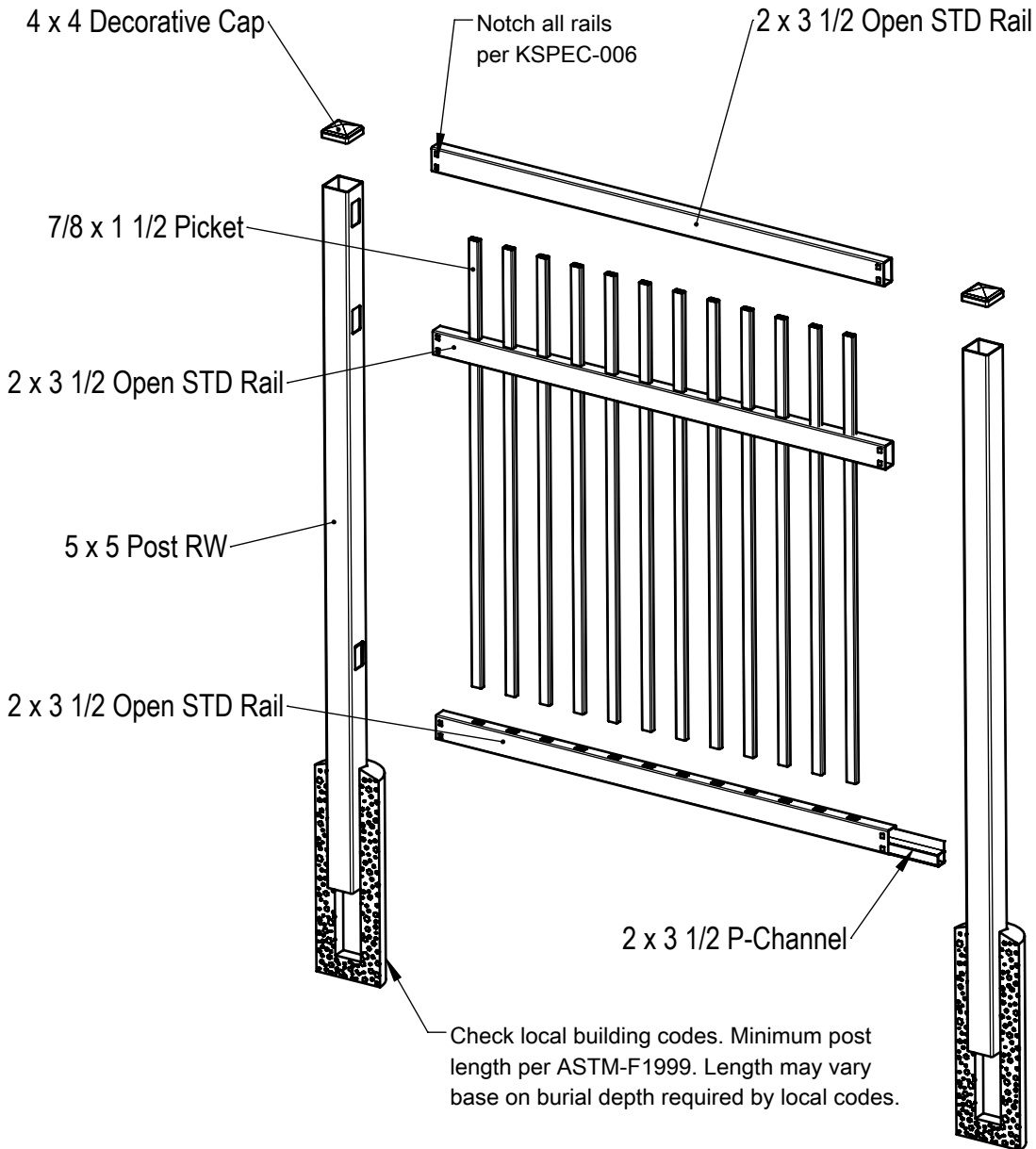
407
DRAWINGS ARE CONFIDENTIAL AND ARE THE PROPERTY OF PLY GEM FENCE & RAILING © MAR 2020.

P477

Sheet 1 of 2
04-14-20

68" H x 72" W Closed Pool Fence

with 7/8 x 1 1/2 Pickets - 3 7/8" Gap

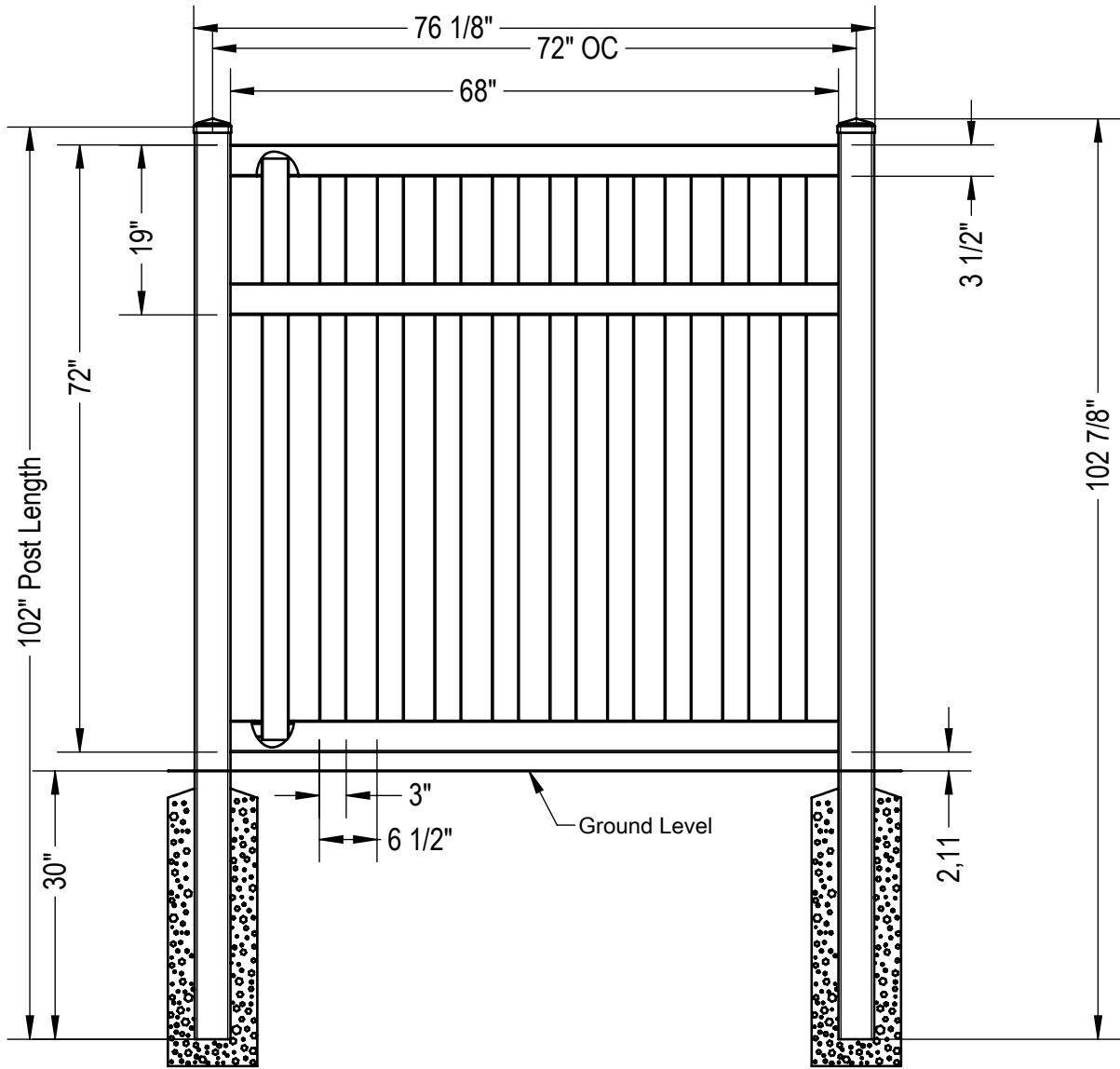


THIS DRAWING WAS MADE AND INTENDED FOR USE AS A GUIDE ONLY. ANY PRODUCT SUBSTITUTION OR VARIANCE MAY COMPROMISE THE STRUCTURE, DESIGN AND PERFORMANCE OF THE PRODUCT. NO WARRANTY IS EXPRESSED OR IMPLIED BY THIS DRAWING AND PLY GEM FENCE & RAIL.
408
DRAWINGS ARE CONFIDENTIAL AND ARE THE PROPERTY OF PLY GEM FENCE & RAILING © MAR 2019.

P477
Sheet 2 of 2
04-14-20

68" H x 72" W Closed Pool Fence

with 7/8 x 3 Pickets - 3 7/16" Gap



QTY	PART NUMBER	LENGTH
2	4 x 4 Post RW	102"
3	2 x 3 1/2 Open STD Rail	71"
1	2 x 3 1/2 P-Channel	71"
10	7/8 x 1 1/2 Picket	65"
2	4 x 4 Decorative Cap	

MEETS IBC (INTERNATIONAL BUILDING CODE) REQUIREMENTS FOR SWIMMING POOL ENCLOSURES, SECTION 3109, AND IRC (INTERNATIONAL RESIDENTIAL CODE) REQUIREMENTS FOR SWIMMING POOL ENCLOSURES, SECTION AG105. CHECK WITH YOUR LOCAL BUILDING CODE OFFICIALS TO MAKE SURE THEY ACCEPT THESE DIMENSIONAL LIMITATIONS.

THIS DRAWING WAS MADE AND INTENDED FOR USE AS A GUIDE ONLY. ANY PRODUCT SUBSTITUTION OR VARIANCE MAY COMPROMISE THE STRUCTURE, DESIGN AND PERFORMANCE OF THE PRODUCT. NO WARRANTY IS EXPRESSED OR IMPLIED BY THIS DRAWING AND PLY GEM FENCE & RAIL.

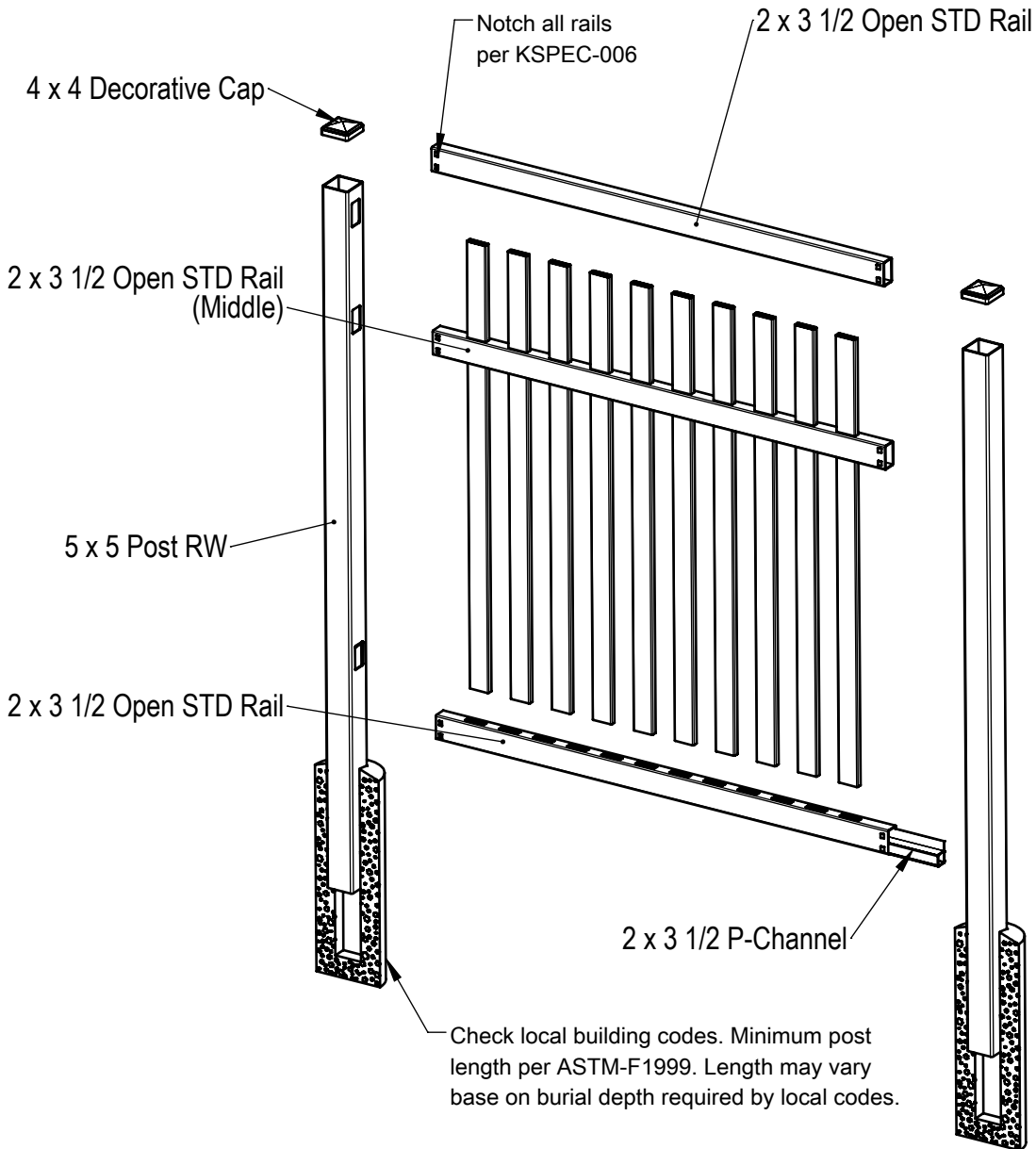
409
DRAWINGS ARE CONFIDENTIAL AND ARE THE PROPERTY OF PLY GEM FENCE & RAILING © MAR 2020.

P478

Sheet 1 of 2
04-15-20

68" H x 72" W Closed Pool Fence

with 7/8 x 3 Pickets - 3 7/16" Gap



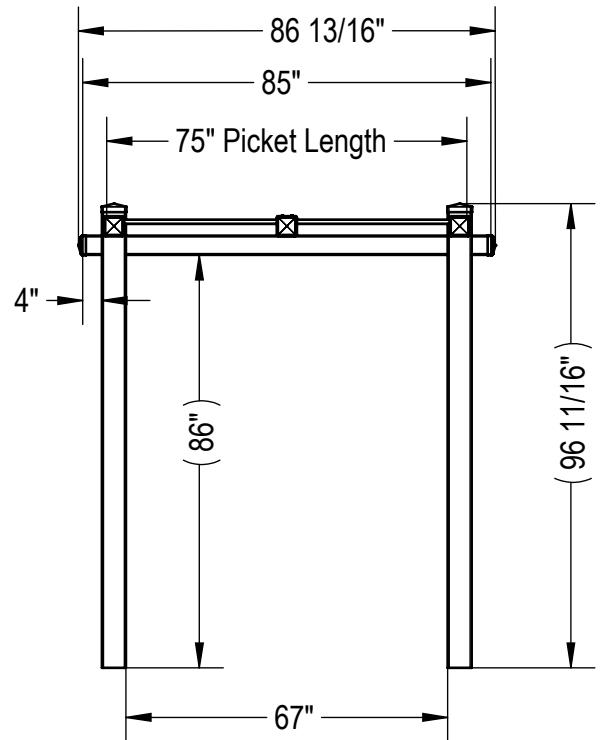
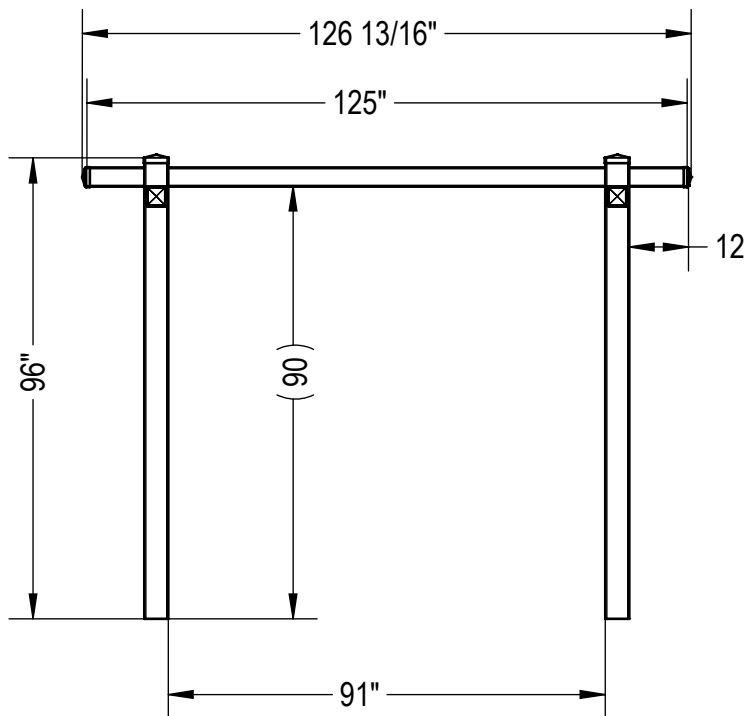
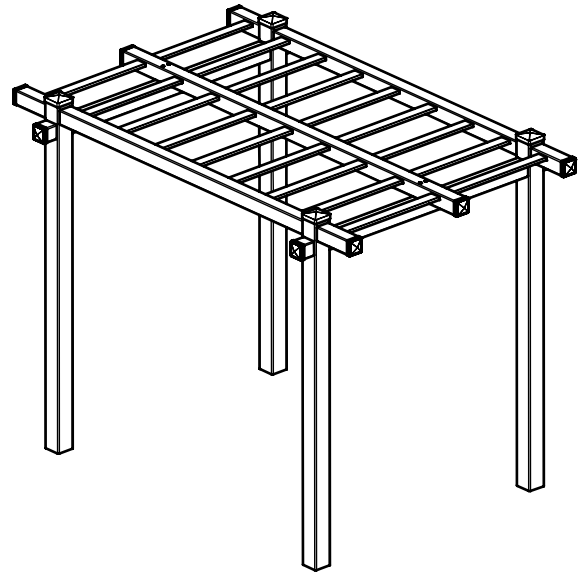
THIS DRAWING WAS MADE AND INTENDED FOR USE AS A GUIDE ONLY. ANY PRODUCT SUBSTITUTION OR VARIANCE MAY COMPROMISE THE STRUCTURE, DESIGN AND PERFORMANCE OF THE PRODUCT. NO WARRANTY IS EXPRESSED OR IMPLIED BY THIS DRAWING AND PLY GEM FENCE & RAIL. DRAWINGS ARE CONFIDENTIAL AND ARE THE PROPERTY OF PLY GEM FENCE & RAILING © MAR 2020.

P478
Sheet 2 of 2
04-15-20

125" x 85" Pergola

with 7/8 x 3 Pickets

QTY	PART NUMBER	LENGTH
2	2 4 x 4 Post STD	85"
4	5 x 5 Post	96"
4	5 x 5 External Long Cap N	
4	3/8 Bolt	5"
2	4 x 4 Post STD	125"
1	4 x 4 Post STD	125"
9	7/8 x 3 Picket	75"
10	4 x 4 Decorative Cap	
4	1/4" Timber Screw	5"



THIS DRAWING WAS MADE AND INTENDED FOR USE AS A GUIDE ONLY. ANY PRODUCT SUBSTITUTION OR VARIANCE MAY COMPROMISE THE STRUCTURE, DESIGN AND PERFORMANCE OF THE PRODUCT. NO WARRANTY IS EXPRESSED OR IMPLIED BY THIS DRAWING AND PLY GEM FENCE & RAIL.

411
DRAWINGS ARE CONFIDENTIAL AND ARE THE PROPERTY OF PLY GEM FENCE & RAILING © MAY 2020.

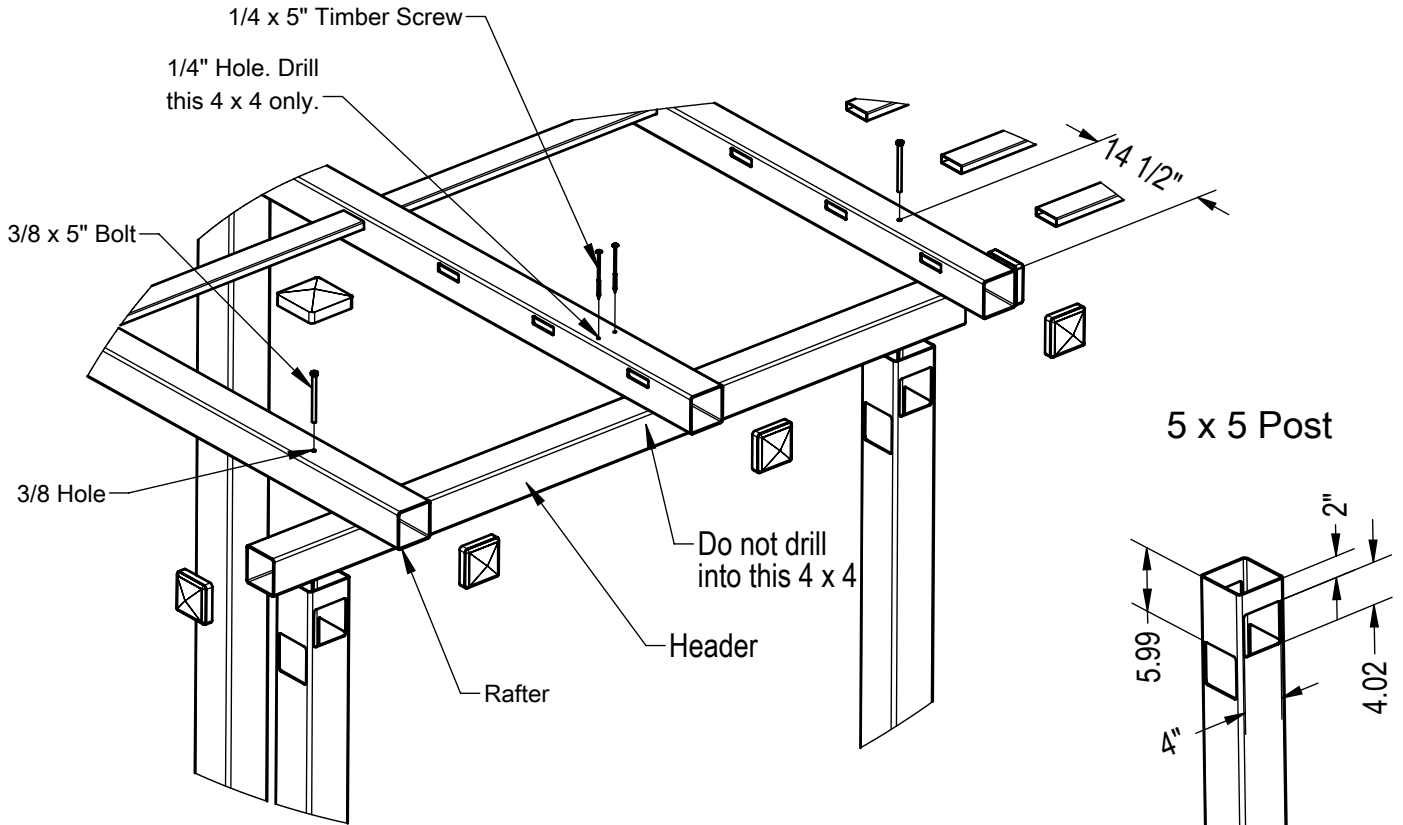
P479

Sheet 1 of 2
05-10-20

125" x 85" Pergola

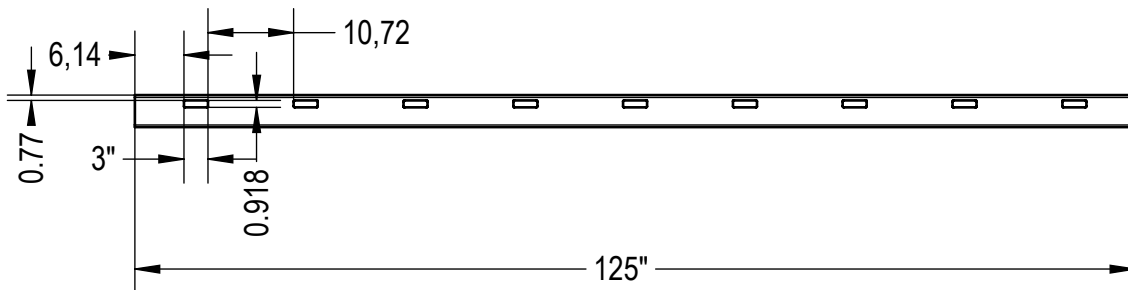
with 7/8 x 3 Pickets

Drill 1/4" holes in top 4 x 4 only. Position rafter on header. Install timber screws.



After positioning 4 x 4's in post, drill 3/8 hole through rafter and into header. Insert bolt to lock 4 x 4's in position.

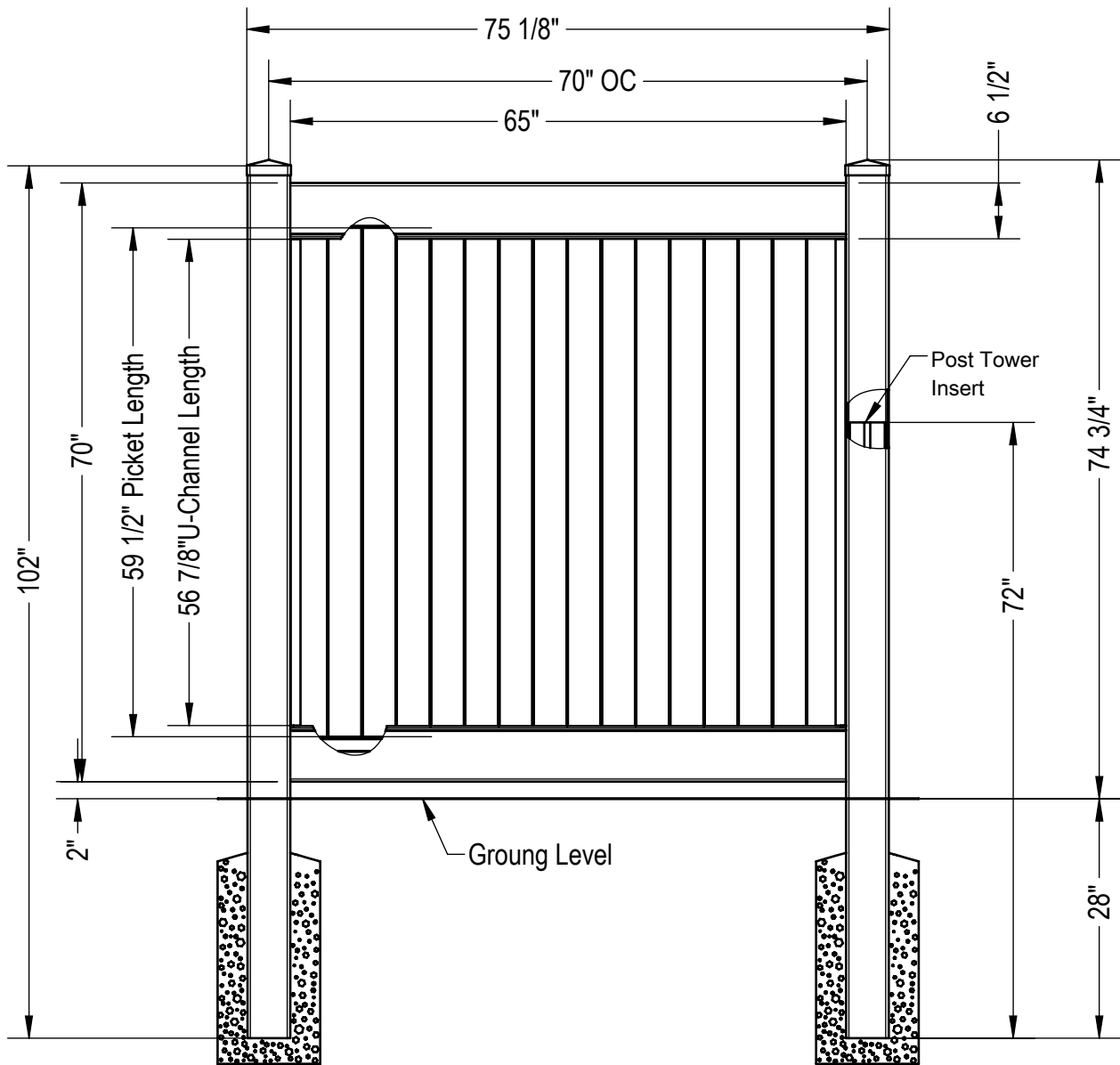
4 x 4 Routing for 7/8 x 3



70" H x 70" W Solid Privacy

with 2 x 6 1/2 Slotted Rail & 1 x 8 T&G Picket

DRAWING MEETS MIAMI / DADE COUNTY NOA REQUIREMENTS



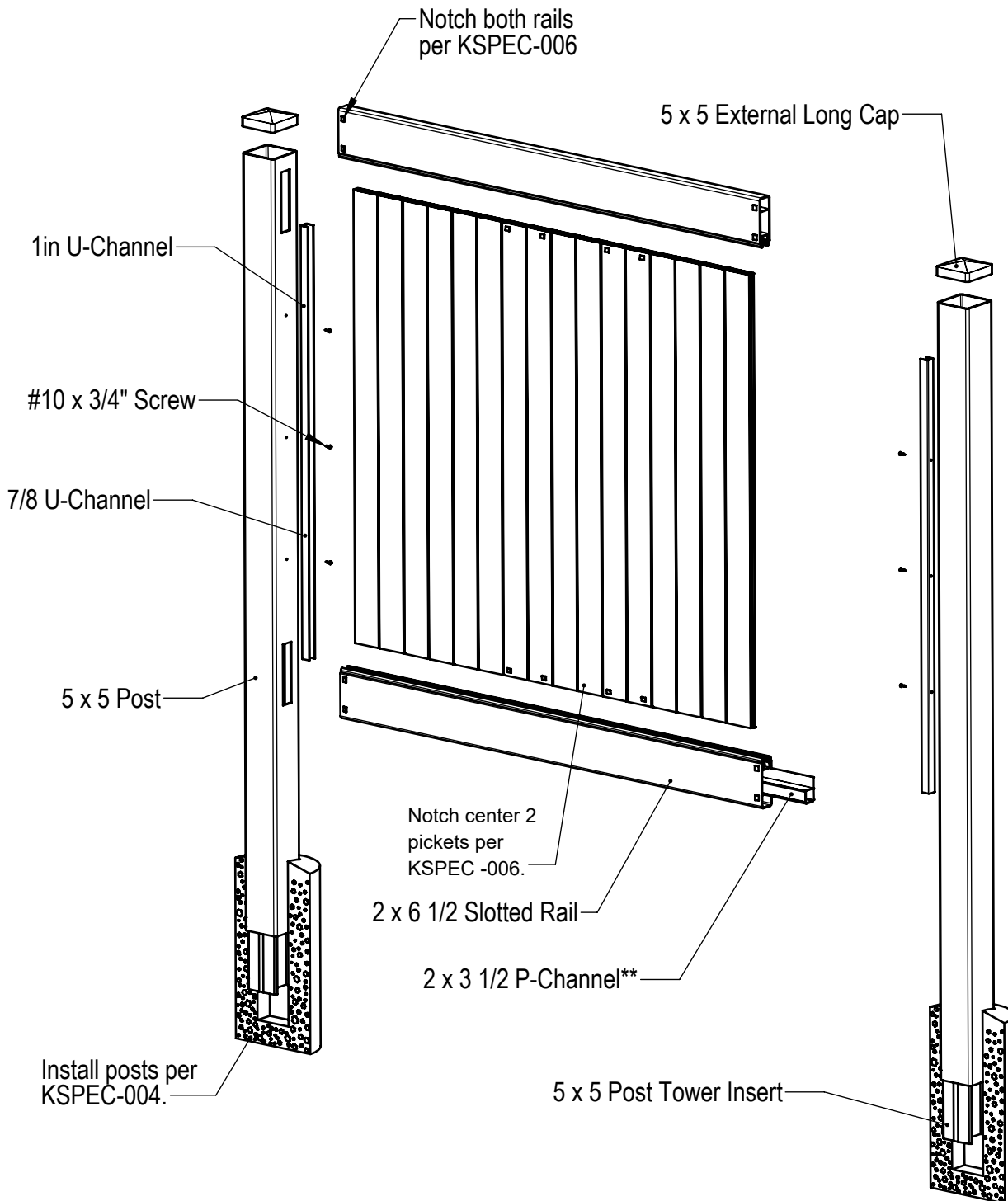
QTY.	PART NUMBER	LENGTH
2	5 x 5 Post RW	102"
2	5 x 5 Post Tower Insert	72"
2	2 x 6 1/2 Slotted Rail	68"
2	7/8 U-Channel	56 7/8"
8	1 x 8 T&G Picket	59 1/2"
6	#10 x 3/4" Screw	
2	5 x 5 External Long Cap	
	Insert for Khaki and WS colors	
1	2 x 3 1/2 P-Channel	68"

THIS DRAWING WAS MADE AND INTENDED FOR USE AS A GUIDE ONLY. ANY PRODUCT SUBSTITUTION OR VARIANCE MAY COMPROMISE THE STRUCTURE, DESIGN AND PERFORMANCE OF THE PRODUCT. NO WARRANTY IS EXPRESSED OR IMPLIED BY THIS DRAWING AND PLY GEM FENCE & RAIL.

P480

Sheet 1 of 2
07-25-22

70" H x 70" W Solid Privacy with 2 x 6 1/2 Slotted Rail & 1 x 8 T&G Picket

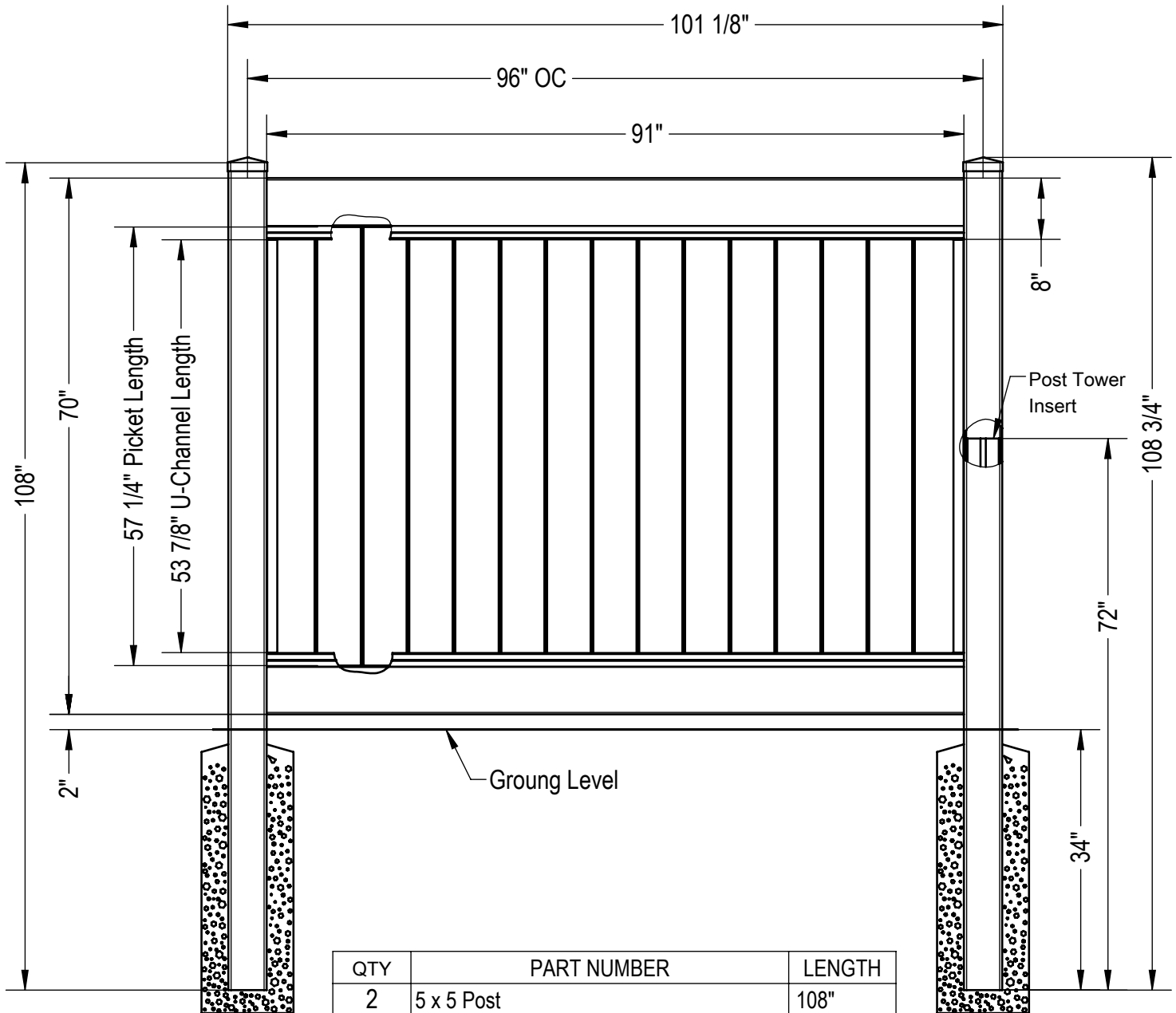


** Aluminum insert required on Khaki and all Woodland Select colors.

THIS DRAWING WAS MADE AND INTENDED FOR USE AS A GUIDE ONLY. ANY PRODUCT SUBSTITUTION OR VARIANCE MAY COMPROMISE THE STRUCTURE, DESIGN AND PERFORMANCE OF THE PRODUCT. NO WARRANTY IS EXPRESSED OR IMPLIED BY THIS DRAWING AND PLY GEM FENCE & RAIL.

70" H x 96" W Classic Privacy

with 1 3/4 x 8 Rails & 7/8 x 6 T&G Pickets



QTY	PART NUMBER	LENGTH
2	5 x 5 Post	108"
2	1 3/4 x 8 Slotted Rail	94 1/2"
8	7/8 x 11 1/4" Picket	57"
2	7/8 U-Channel	53 7/8"
2	5 x 5 Post Tower Insert	72"
1	1 3/4 x 8 Slot. Insert	94 1/2"
2	5 x 5 External Long Cap	
6	#10 x 3/4" Screw	

NOTE:

* 7/8 x 11 1/4 x 57" Picket length is not a standard length. Picket shortened to allow at least 1/4" space from bottom of slot. Standard length is 57 1/4". Bottom rail can be router 1/4 inch lower to use standard picket.

THIS DRAWING WAS MADE AND INTENDED FOR USE AS A GUIDE ONLY. ANY PRODUCT SUBSTITUTION OR VARIANCE MAY COMPROMISE THE STRUCTURE, DESIGN AND PERFORMANCE OF THE PRODUCT.

NO WARRANTY IS EXPRESSED OR IMPLIED BY THIS DRAWING AND PLY GEM FENCE & RAIL.

415
DRAWINGS ARE CONFIDENTIAL AND ARE THE PROPERTY OF PLY GEM FENCE & RAILING © OCT 2019

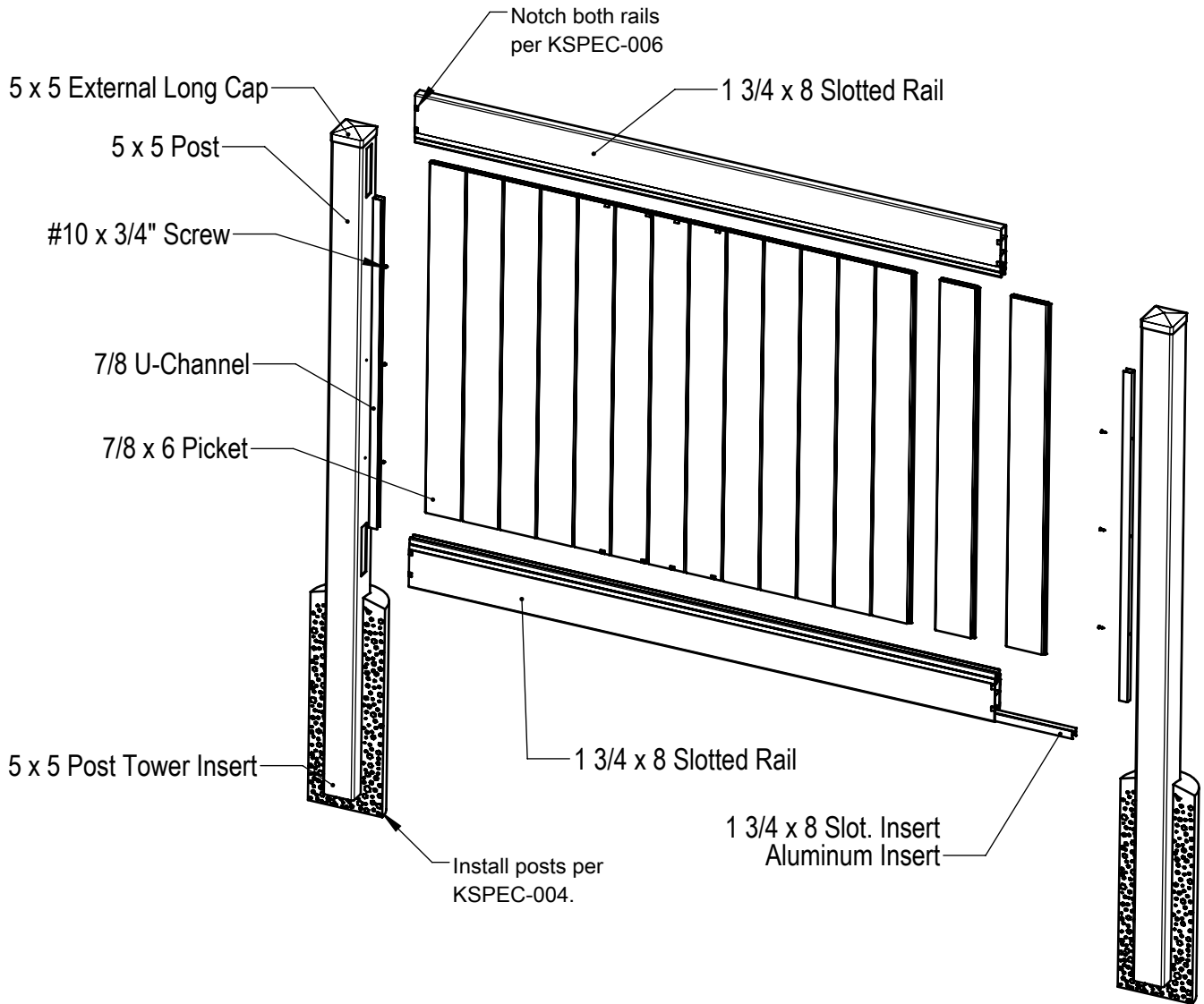
P481

Sheet 1 of 2

08-05-22

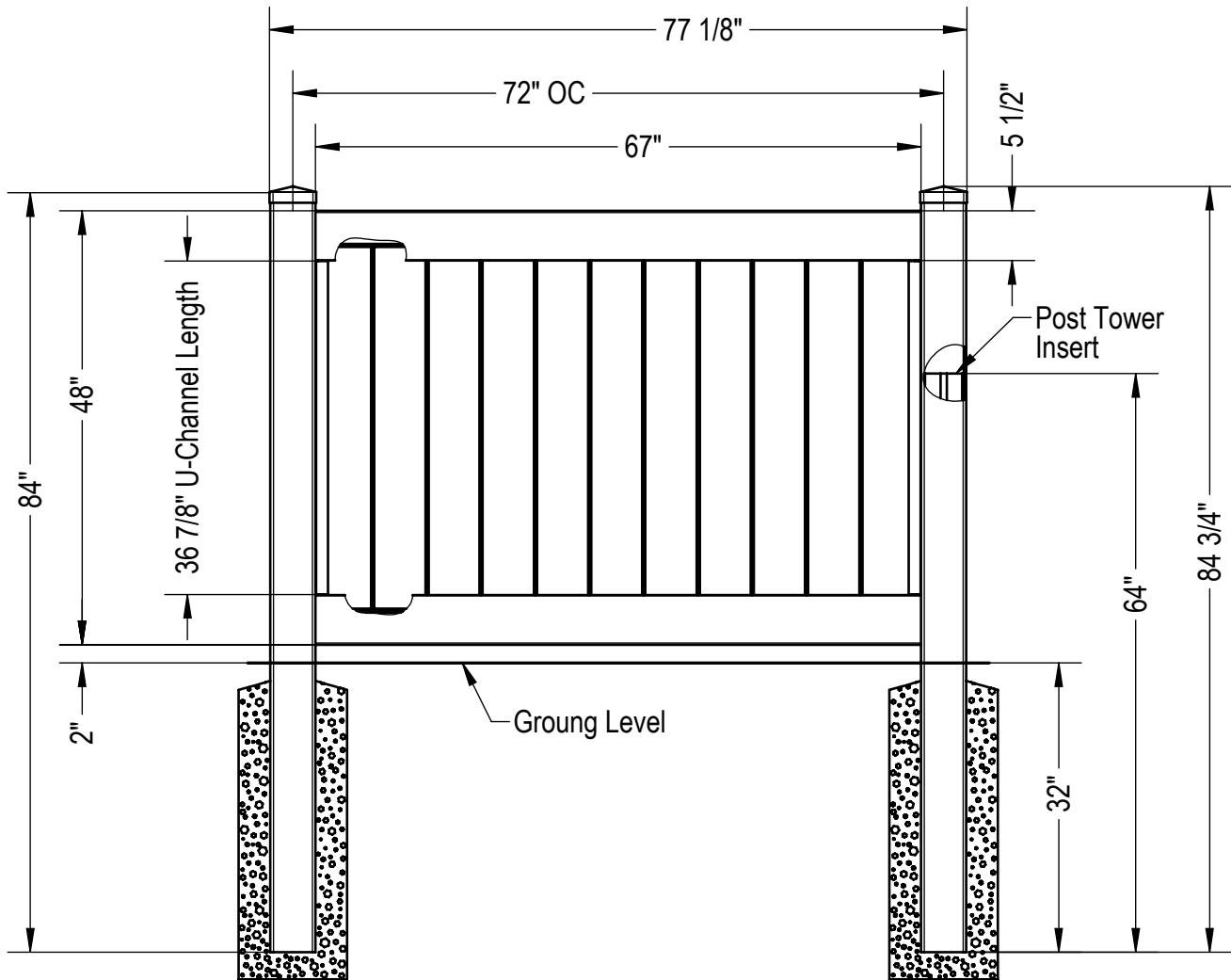
70" H x 96" W Classic Privacy

with 1 3/4 x 8 Rails & 7/8 x 6 T&G Pickets



48" H x 72" W Classic Privacy

with 1 1/2 x 5 1/2 Rail & 7/8 x 6 T&G Picket



QTY	PART NUMBER	LENGTH
2	5 x 5 Post	84"
2	5 x 5 Post Tower Insert	64"
2	1 1/2 x 5 1/2 Slotted Rail	70 1/2"
11	0875_6000_060_TG-40	40"
2	0875_U-channel-36.875	36 7/8"
2	5 x 5 External Long Cap	
6	#10 x 3/4" Screw	
	Insert for Khaki and WS colors	
1	1 1/2 x 5 1/2 Sltd Insert	70 1/2"

NOTE:

* 7/8 x 11 1/4 x 57" Picket length is not a standard length. Picket shortened to allow at least 1/4" space from bottom of slot. Standard length is 57 1/4". Bottom rail can be router 1/4 inch lower to use standard picket.

THIS DRAWING WAS MADE AND INTENDED FOR USE AS A GUIDE ONLY. ANY PRODUCT SUBSTITUTION OR VARIANCE MAY COMPROMISE THE STRUCTURE, DESIGN AND PERFORMANCE OF THE PRODUCT.

NO WARRANTY IS EXPRESSED OR IMPLIED BY THIS DRAWING AND PLY GEM FENCE & RAIL.

417
DRAWINGS ARE CONFIDENTIAL AND ARE THE PROPERTY OF PLY GEM FENCE & RAILING © MAY 2019.

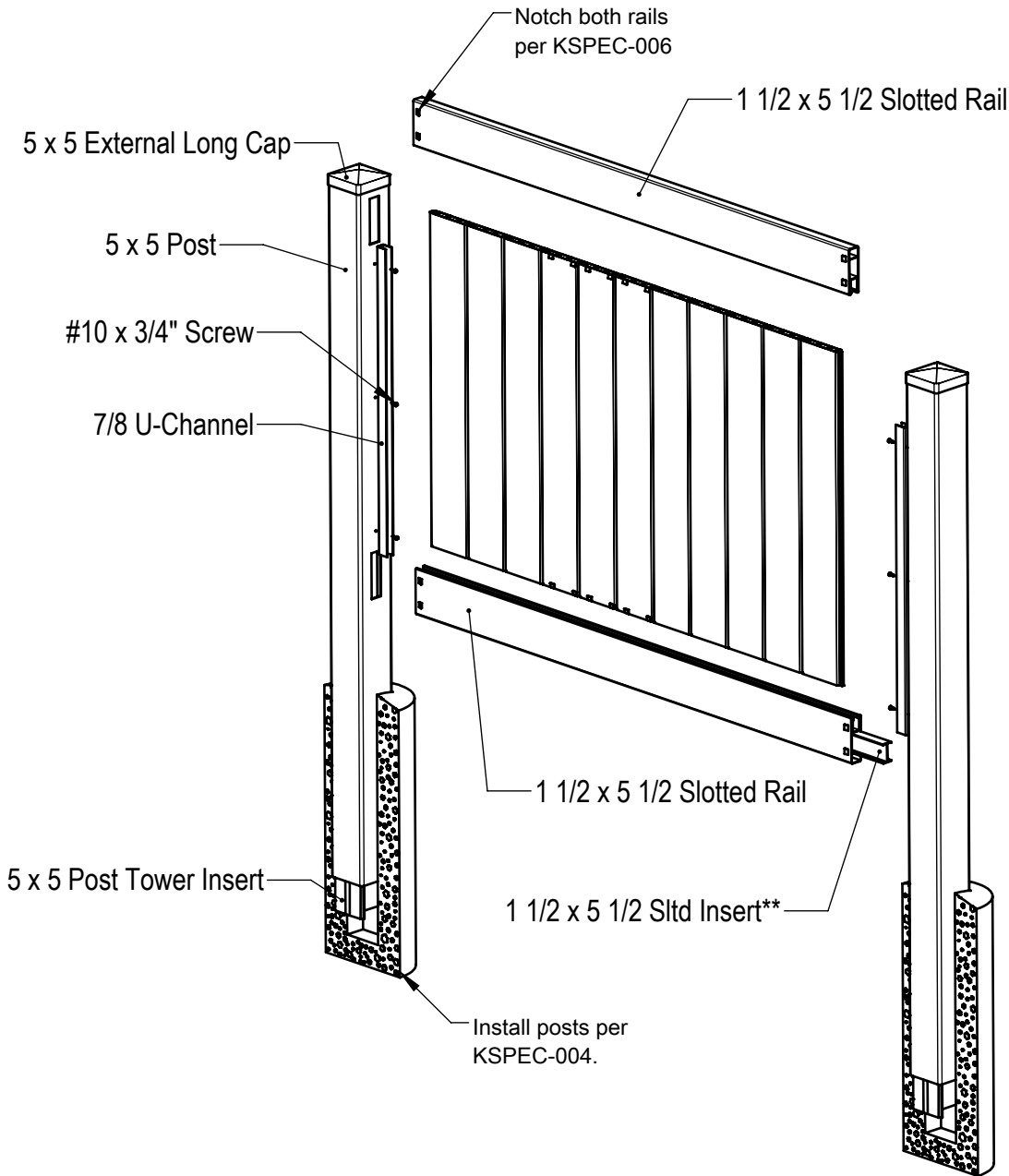
P482

Sheet 1 of 2

08-05-22

48" H x 72" W Classic Privacy

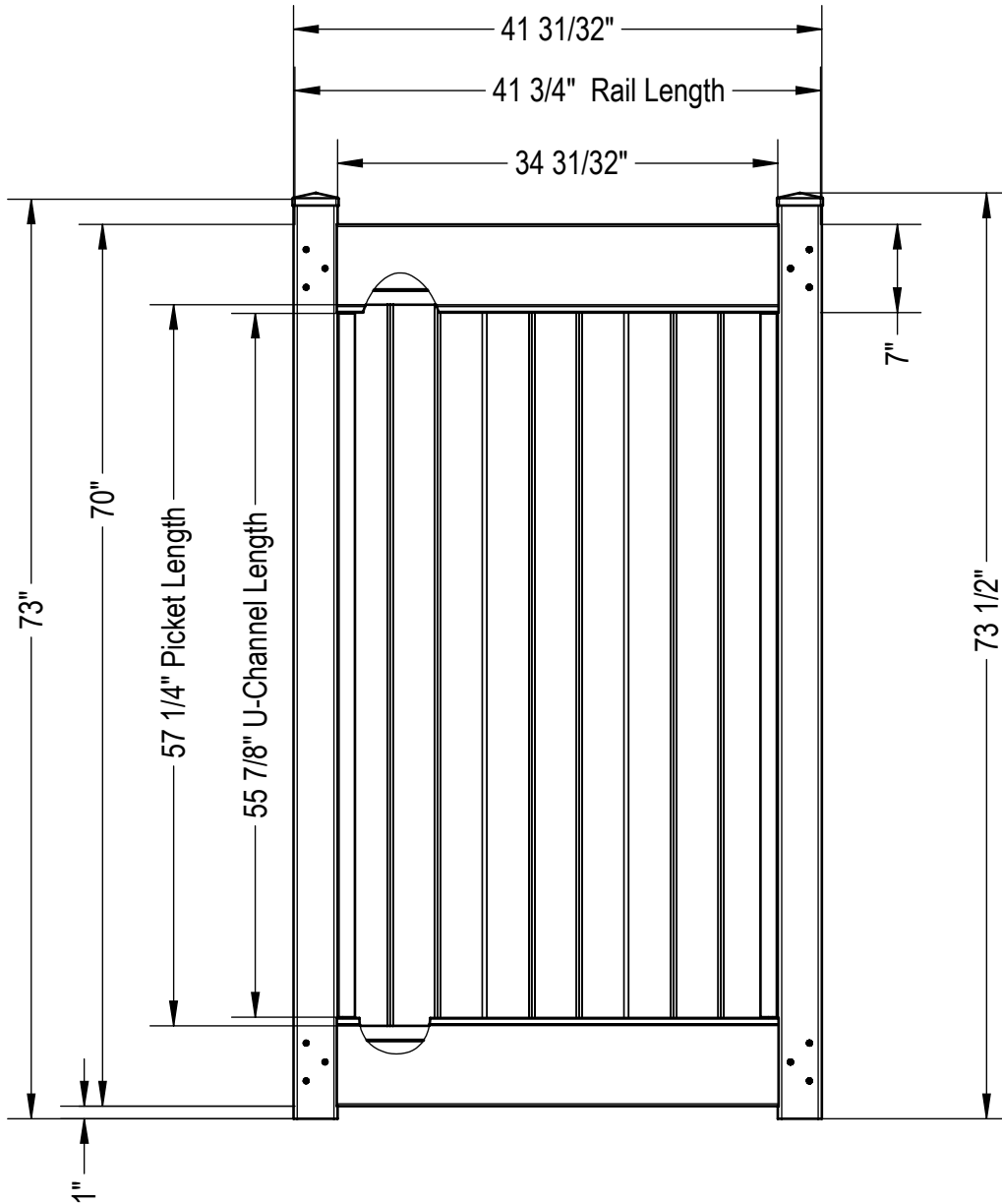
with 1 1/2 x 5 1/2 Rail & 7/8 x 6 T&G Picket



**Aluminum insert required on Khaki and all Woodland Select colors.

70" H x 42" W Classic Privacy Fence Gate

with 2 x 7 Rails & 7/8 x 11 1/4 T&G Pickets
2 1/4 x 3 1/2 Stiles



QTY	PART NUMBER	LENGTH
2	2 1/4 x 3 1/2 Rail	73"
2	2 x7 Slotted Rail	46 3/4"
3	7/8 x 6 Non-Locking T&G	59 1/4"
2	7/8 U-Channel	55 7/8"
2	2 1/4 x 3 1/2 Ext Cap	
30	#10 x 3/4" Screw	

THIS DRAWING WAS MADE AND INTENDED FOR USE AS A GUIDE ONLY. ANY PRODUCT SUBSTITUTION OR VARIANCE MAY COMPROMISE THE STRUCTURE, DESIGN AND PERFORMANCE OF THE PRODUCT. NO WARRANTY IS EXPRESSED OR IMPLIED BY THIS DRAWING AND PLY GEM FENCE & RAIL.

419
DRAWINGS ARE CONFIDENTIAL AND ARE THE PROPERTY OF PLY GEM FENCE & RAILING © MAR 2019.

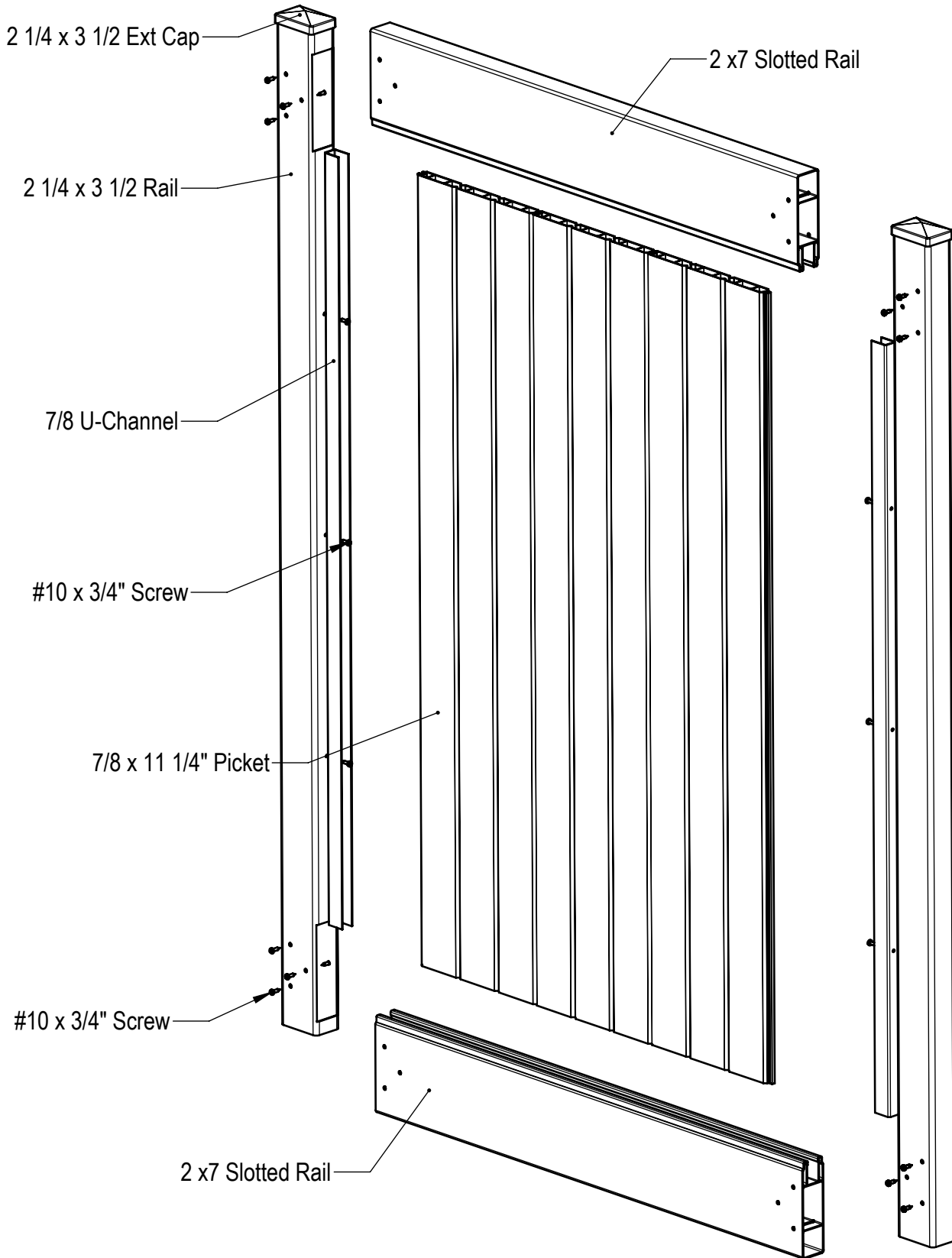
P483

Sheet 1 of 2
08-22-22

70" H x 42" W Classic Privacy Fence Gate

with 2 x 7 Rails & 7/8 x 11 1/4 T&G Pickets

2 1/4 x 3 1/2 Stiles



THIS DRAWING WAS MADE AND INTENDED FOR USE AS A GUIDE ONLY. ANY PRODUCT SUBSTITUTION OR VARIANCE MAY COMPROMISE THE STRUCTURE, DESIGN AND PERFORMANCE OF THE PRODUCT. NO WARRANTY IS EXPRESSED OR IMPLIED BY THIS DRAWING AND PLY GEM FENCE & RAIL.

420

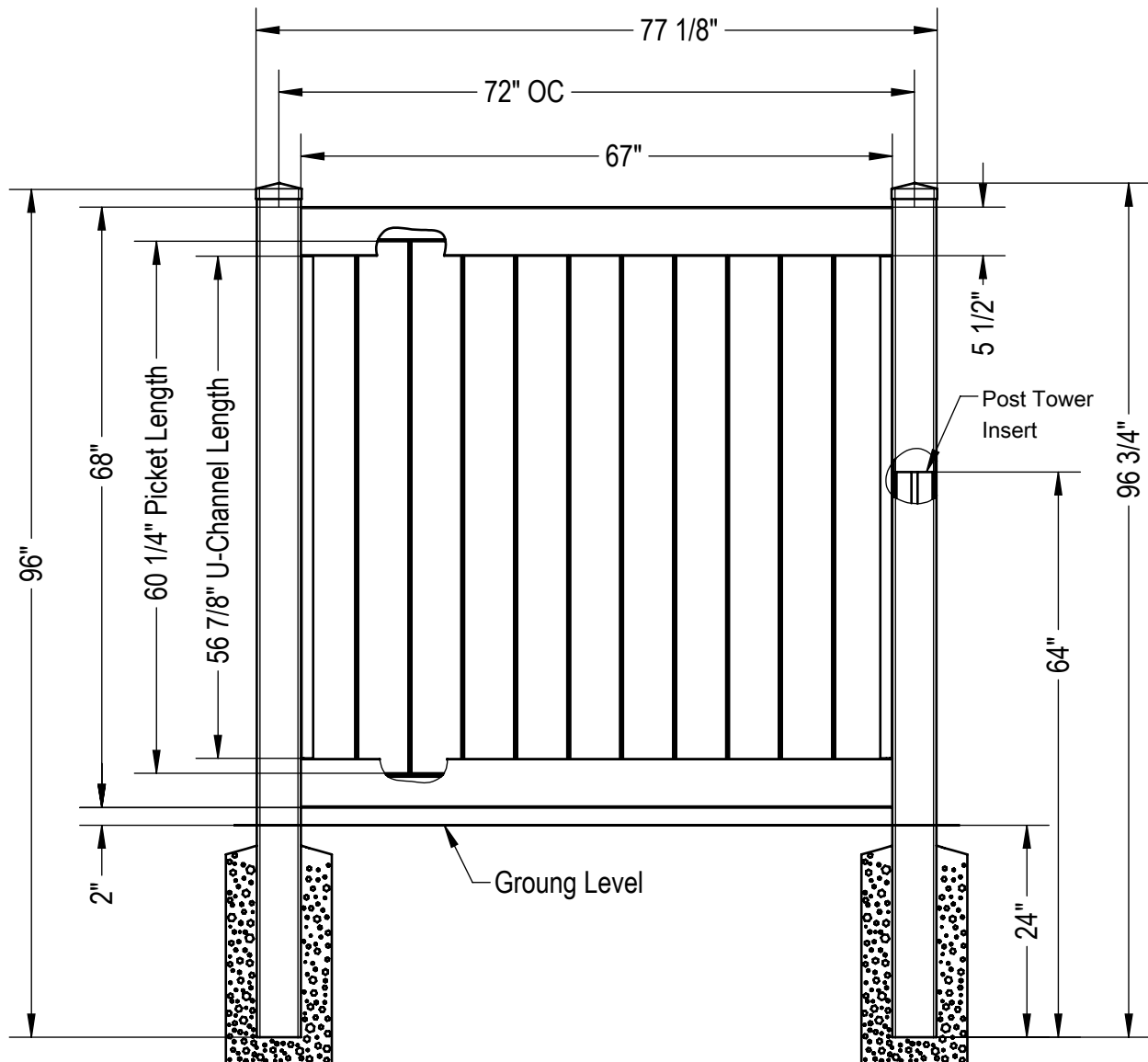
DRAWINGS ARE CONFIDENTIAL AND ARE THE PROPERTY OF PLY GEM FENCE & RAILING © MAY 2019.

P483

Sheet 2 of 2
08-22-22

68" H x 72" W Classic Privacy

with 1 1/2 x 5 1/2 Rail & 7/8 x 6 T&G Picket



QTY	PART NUMBER	LENGTH
2	5 x 5 Post	96"
2	5 x 5 Post Tower Insert	64"
2	1 1/2 x 5 1/2 Slotted Rail	70 1/2"
11	7/8 x 6 Non-Locking T&G	60 1/4"
2	7/8 U-Channel	56 7/8"
2	5 x 5 External Long Cap	
6	#10 x 3/4" Screw	
	Insert for Khaki and WS colors	
1	1 1/2 x 5 1/2 Slt Insert	70 1/2"

THIS DRAWING WAS MADE AND INTENDED FOR USE AS A GUIDE ONLY. ANY PRODUCT SUBSTITUTION OR VARIANCE MAY COMPROMISE THE STRUCTURE, DESIGN AND PERFORMANCE OF THE PRODUCT. NO WARRANTY IS EXPRESSED OR IMPLIED BY THIS DRAWING AND PLY GEM FENCE & RAIL.

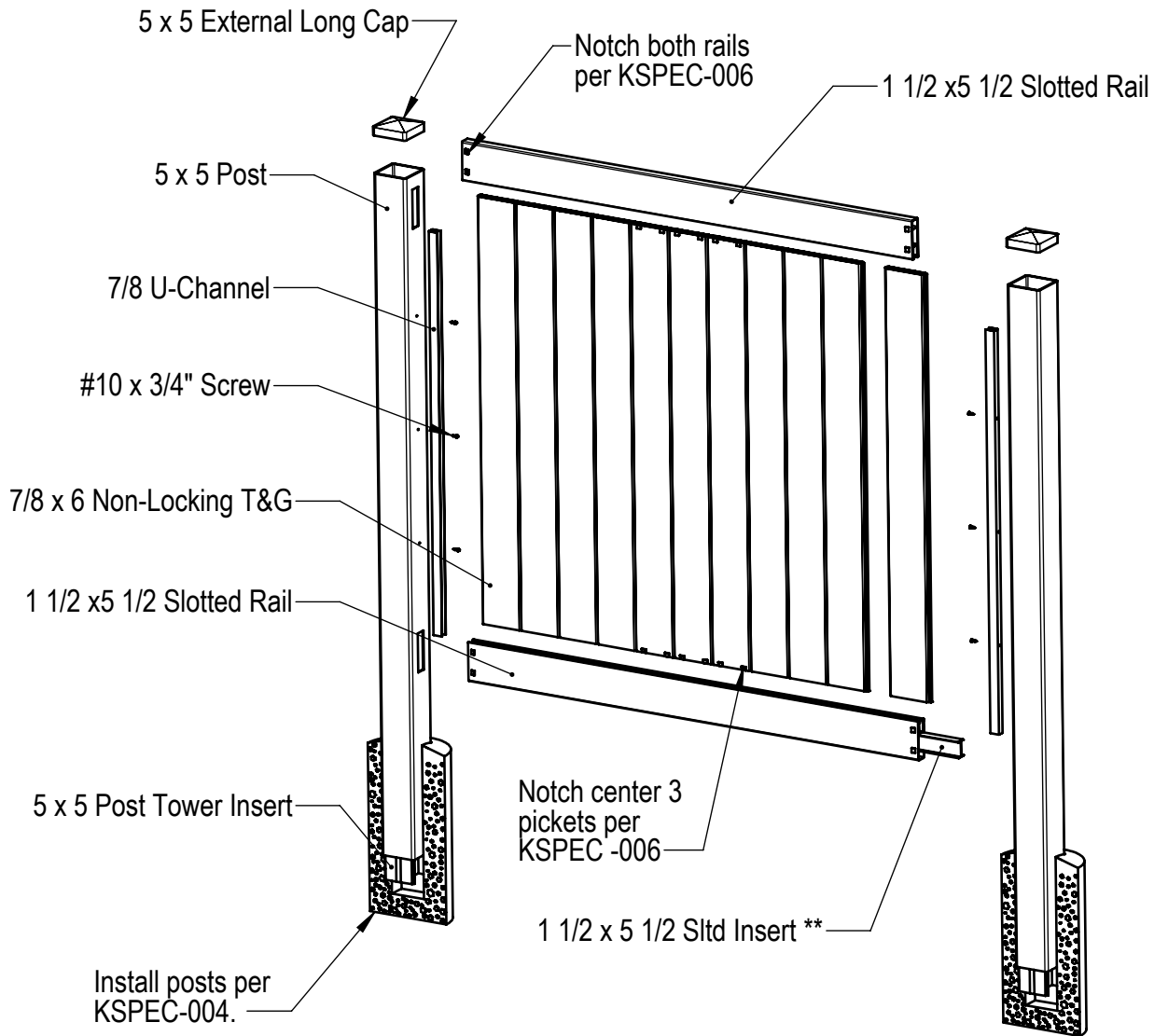
421
DRAWINGS ARE CONFIDENTIAL AND ARE THE PROPERTY OF PLY GEM FENCE & RAILING © MAR 2019.

P485

Sheet 1 of 2
10-22-22

68" H x 72" W Classic Privacy

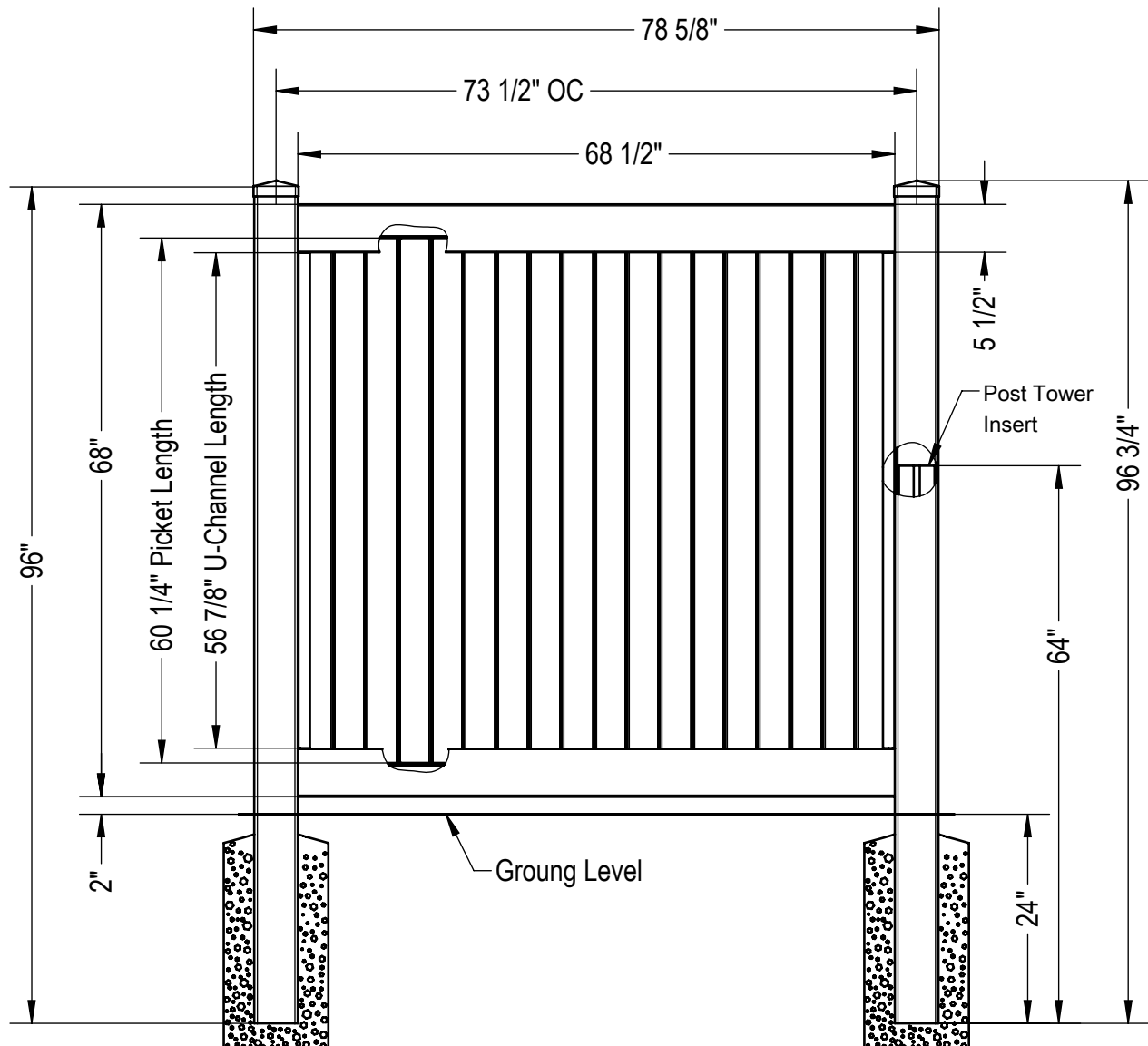
with 1 1/2 x 5 1/2 Rail & 7/8 x 6 T&G Picket



**Aluminum insert required on Khaki and all Woodland Select colors.

68" H x 73 1/2" W Classic Privacy

with 1 1/2 x 5 1/2 Rail & 7/8 x 11 Non-Locking T&G Picketet



QTY	PART NUMBER	LENGTH
2	5 x 5 Post	96"
2	5 x 5 Post Tower Insert	64"
2	2 x 7 Slotted Rail	72"
6	7/8 x 11 1/4" Non-Locking T&G	60 1/4"
2	7/8 U-Channel	56 7/8"
2	5 x 5 External Long Cap	
6	#10 x 3/4" Screw	
-	Insert for Khaki and WS colors	
1	1 1/2 x 5 1/2 Sld Insert	72"

THIS DRAWING WAS MADE AND INTENDED FOR USE AS A GUIDE ONLY. ANY PRODUCT SUBSTITUTION OR VARIANCE MAY COMPROMISE THE STRUCTURE, DESIGN AND PERFORMANCE OF THE PRODUCT. NO WARRANTY IS EXPRESSED OR IMPLIED BY THIS DRAWING AND PLY GEM FENCE & RAIL.

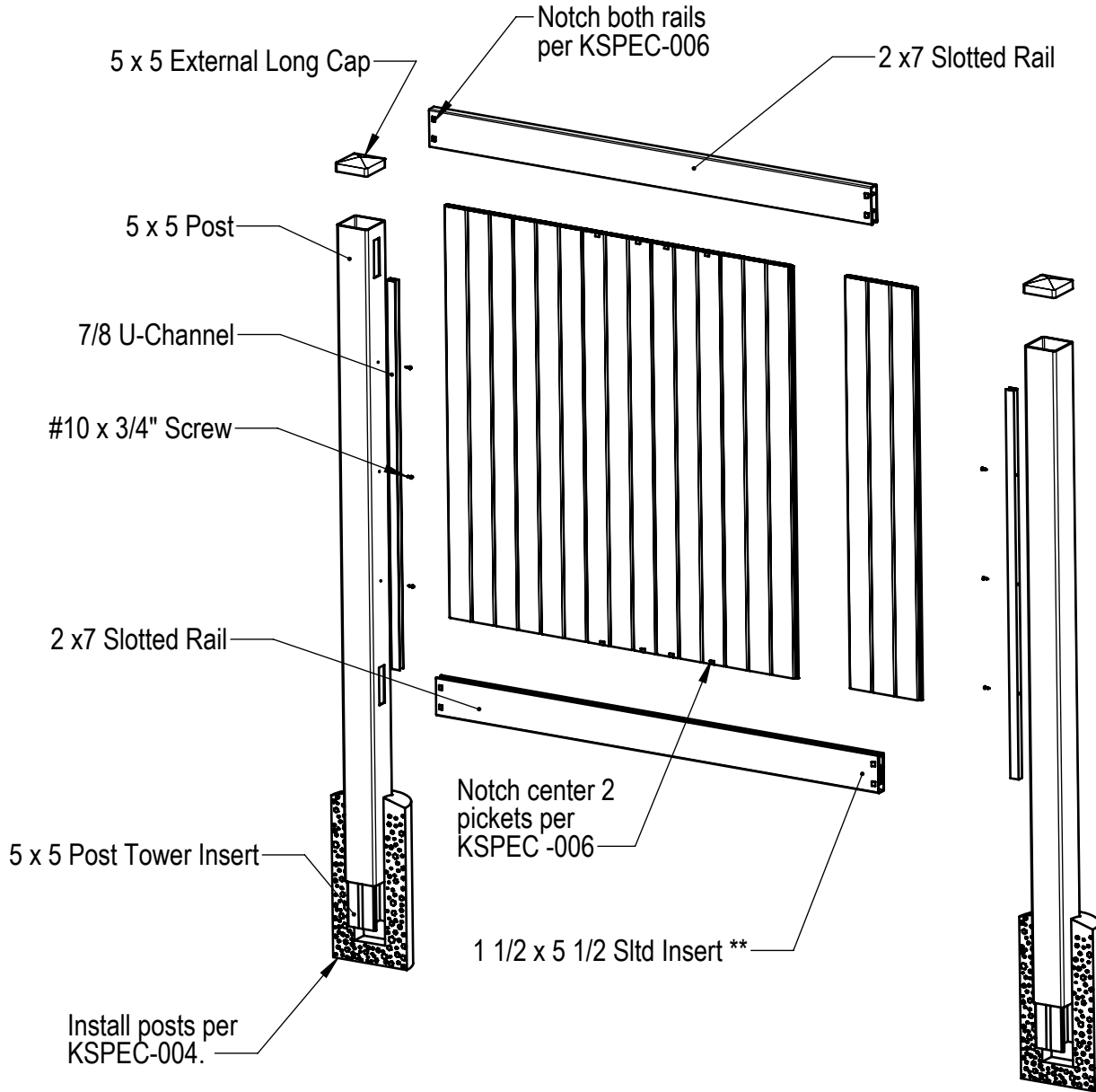
423
DRAWINGS ARE CONFIDENTIAL AND ARE THE PROPERTY OF PLY GEM FENCE & RAILING © MAR 2019.

P486

Sheet 1 of 2
10-22-22

68" H x 73 1/2" W Classic Privacy

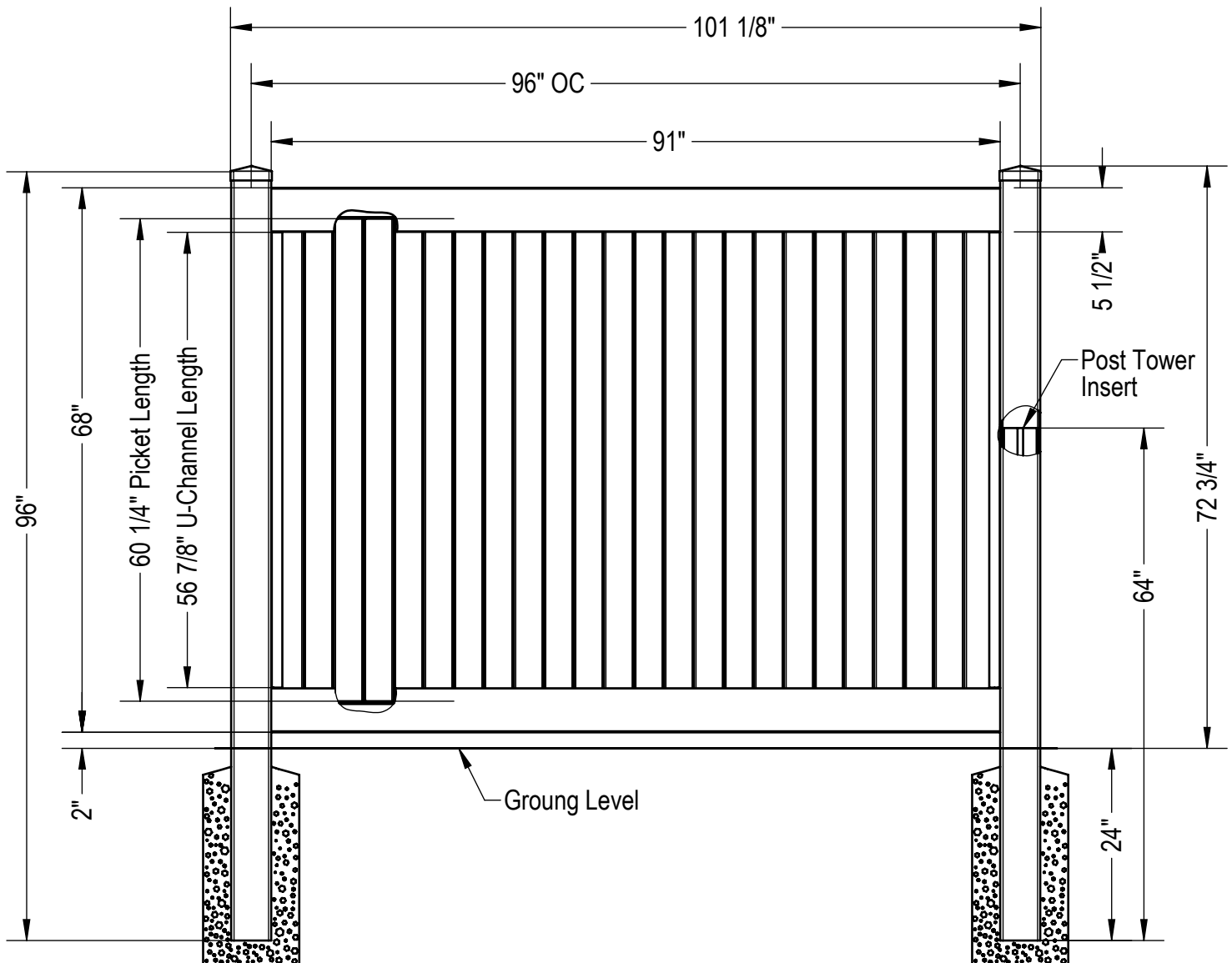
with 1 1/2 x 5 1/2 Rail & 7/8 x 11 Non-Locking T&G Picket



**Aluminum insert required on Khaki and all Woodland Select colors.

68" H x 96" W Classic Privacy

with 1 1/2 x 5 1/2 Rail & 7/8 x 11 Non-Locking T&G Picketet



QTY	PART NUMBER	LENGTH
-	Insert for Khaki and WS colors	
2	5 x 5 Post	96"
2	2 x7 Slotted Rail	94.5
8	7/8 x 11 1/4" Non-Locking T&G	57 1/4"
2	7/8 U-Channel	53 7/8"
6	#10 x 3/4" Screw	
2	5 x 5 External Long Cap	
2	5 x 5 Post Tower Insert	64"
	Insert for Khaki and WS colors	
1	2 x 7 H-Channel Insert	94 1/2"

THIS DRAWING WAS MADE AND INTENDED FOR USE AS A GUIDE ONLY. ANY PRODUCT SUBSTITUTION OR VARIANCE MAY COMPROMISE THE STRUCTURE, DESIGN AND PERFORMANCE OF THE PRODUCT. NO WARRANTY IS EXPRESSED OR IMPLIED BY THIS DRAWING AND PLY GEM FENCE & RAIL.

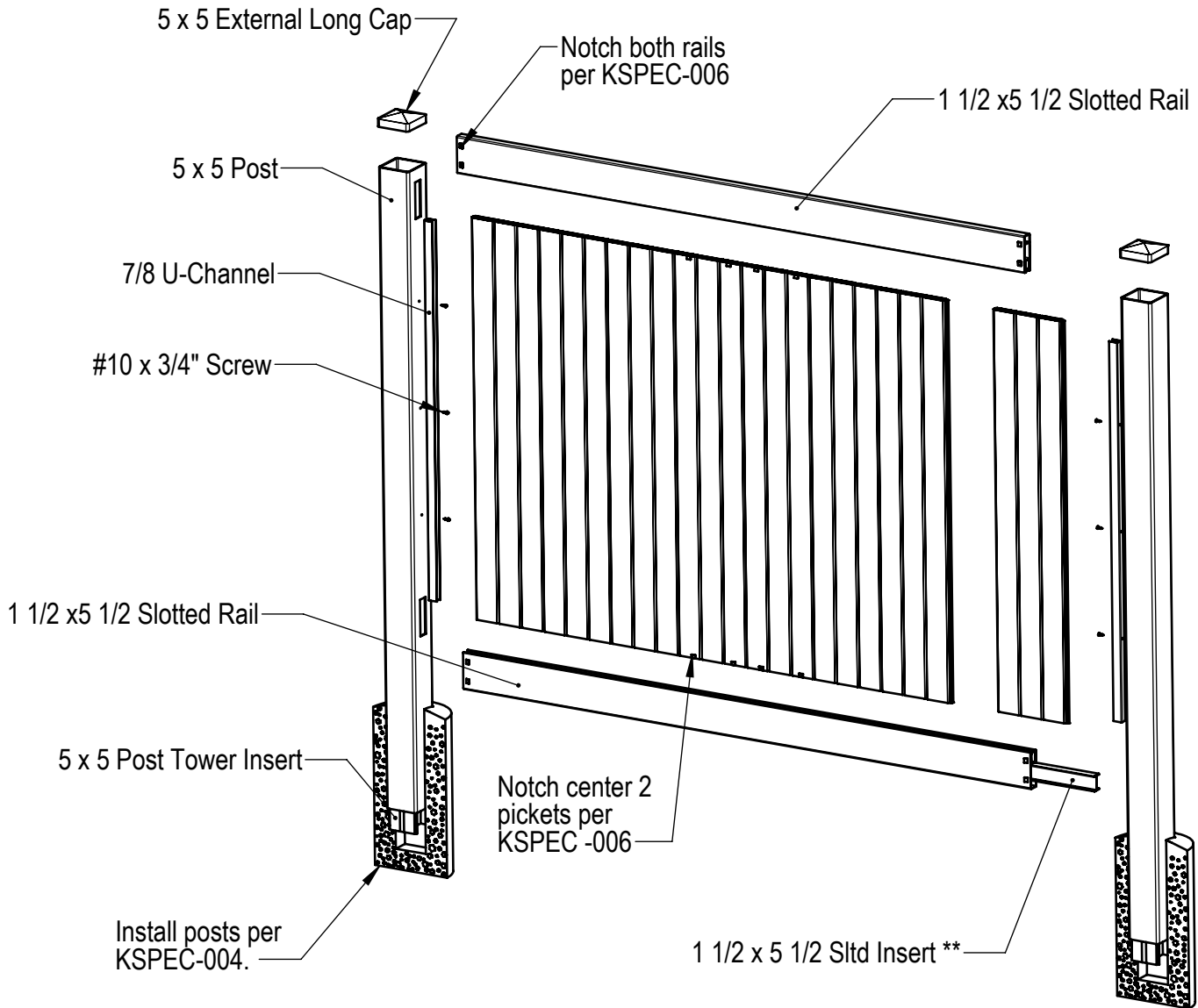
425
DRAWINGS ARE CONFIDENTIAL AND ARE THE PROPERTY OF PLY GEM FENCE & RAILING © MAR 2019.

P487

Sheet 1 of 2
10-22-22

68" H x 96" W Classic Privacy

with 1 1/2 x 5 1/2 Rail & 7/8 x 11 Non-Locking T&G Picket



**Aluminum insert required on Khaki and all Woodland Select colors.

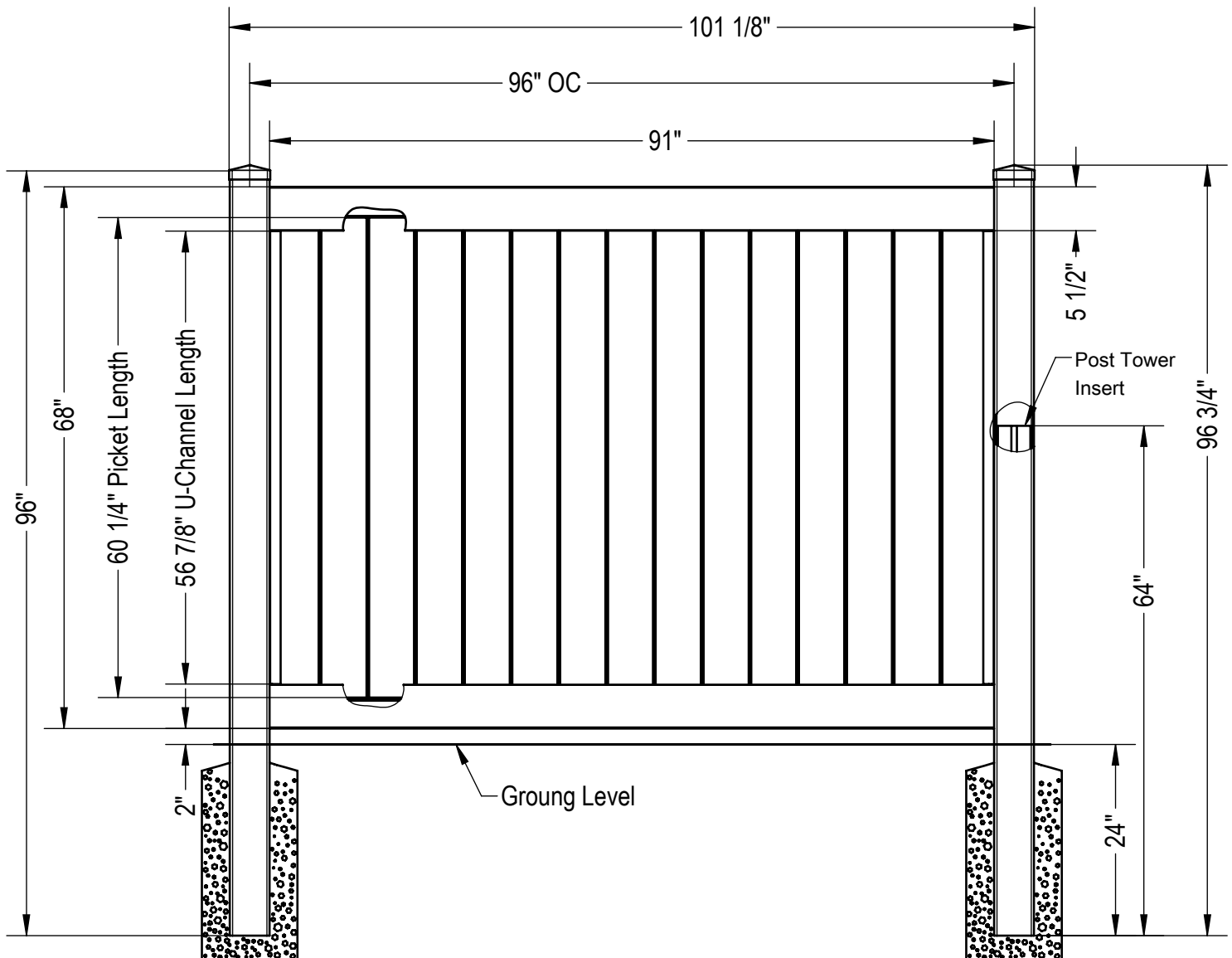
THIS DRAWING WAS MADE AND INTENDED FOR USE AS A GUIDE ONLY. ANY PRODUCT SUBSTITUTION OR VARIANCE MAY COMPROMISE THE STRUCTURE, DESIGN AND PERFORMANCE OF THE PRODUCT. NO WARRANTY IS EXPRESSED OR IMPLIED BY THIS DRAWING AND PLY GEM FENCE & RAIL.

426
DRAWINGS ARE CONFIDENTIAL AND ARE THE PROPERTY OF PLY GEM FENCE & RAILING © MAR 2019.

P487
Sheet 2 of 2
10-22-22

68" H x 96" W Classic Privacy

with 1 1/2 x 5 1/2 Rail & 7/8 x 6 Non-Locking T&G Picket



QTY	PART NUMBER	LENGTH
2	5 x 5 Post	96"
2	5 x 5 Post Tower Insert	64"
2	1 1/2 x 5 1/2 Slotted Rail	94 1/2"
15	7/8 x 6 Non-Locking T&G	60 1/4"
2	7/8 U-Channel	56 7/8"
2	5 x 5 External Long Cap	
6	#10 x 3/4" Screw	
	Insert for Khaki and WS colors	
1	1 1/2 x 5 1/2 Slt Insert	94 1/2"

THIS DRAWING WAS MADE AND INTENDED FOR USE AS A GUIDE ONLY. ANY PRODUCT SUBSTITUTION OR VARIANCE MAY COMPROMISE THE STRUCTURE, DESIGN AND PERFORMANCE OF THE PRODUCT. NO WARRANTY IS EXPRESSED OR IMPLIED BY THIS DRAWING AND PLY GEM FENCE & RAIL.

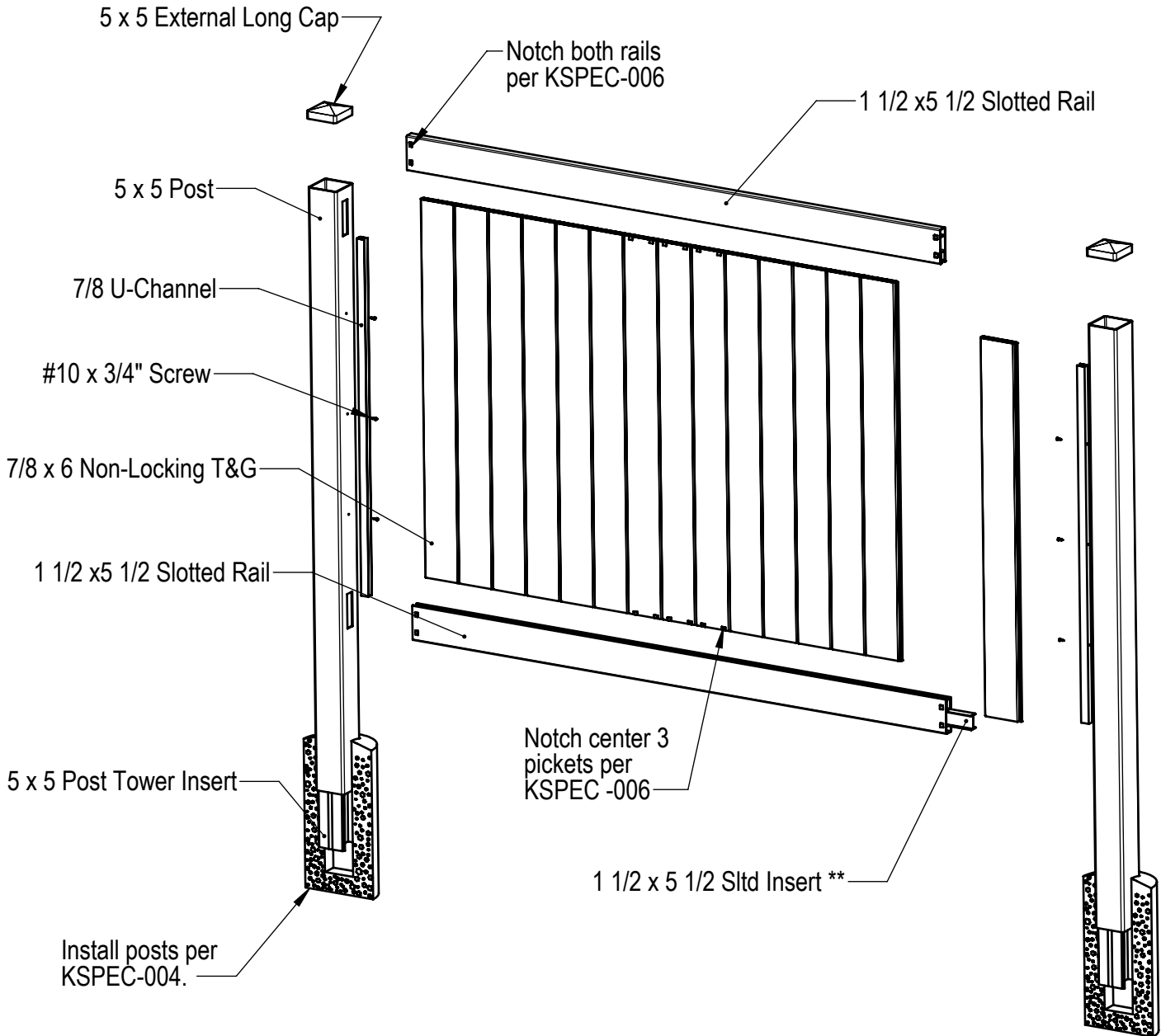
427
DRAWINGS ARE CONFIDENTIAL AND ARE THE PROPERTY OF PLY GEM FENCE & RAILING © MAR 2019.

P488

Sheet 1 of 2
10-22-22

68" H x 96" W Classic Privacy

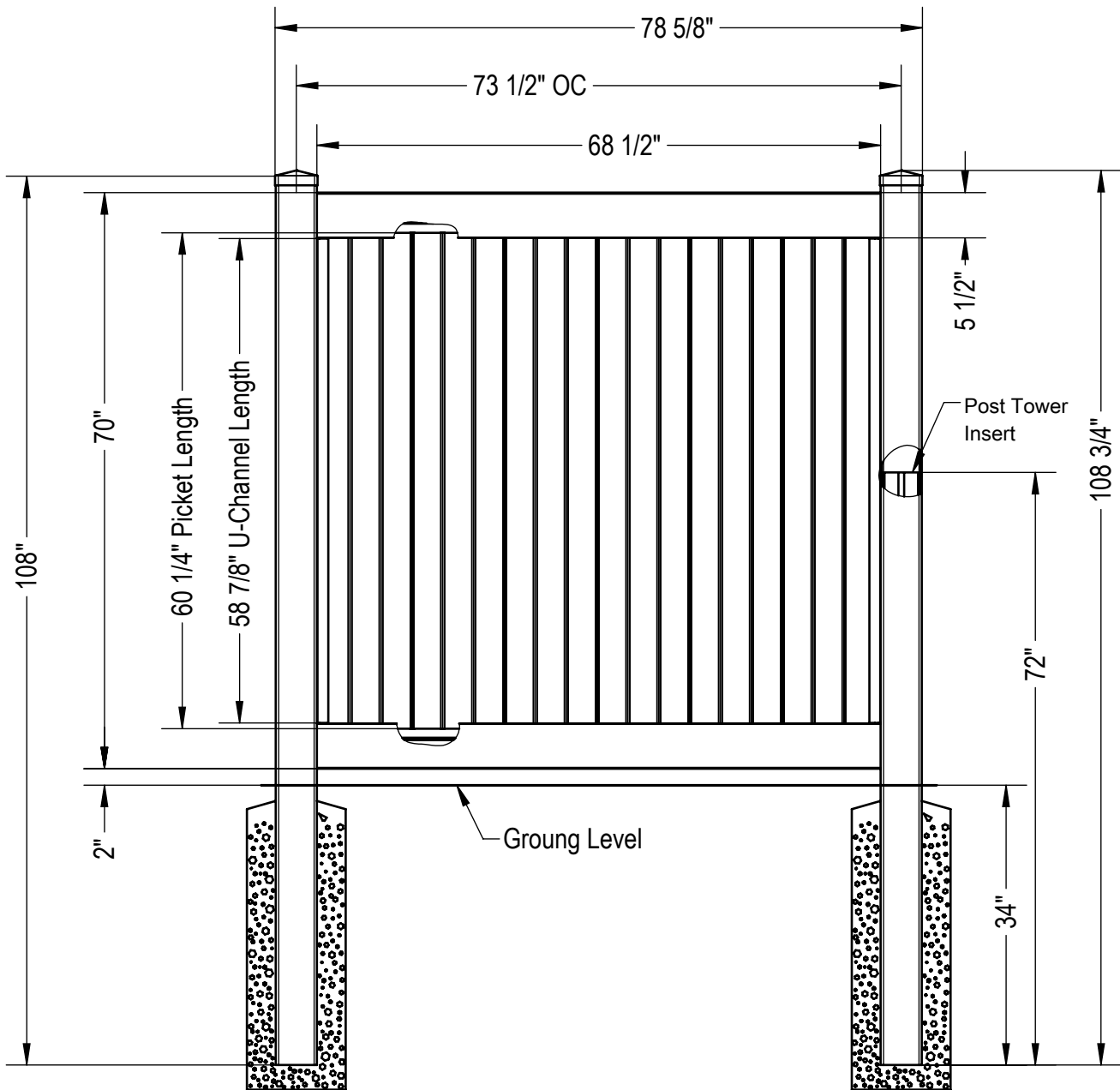
with 1 1/2 x 5 1/2 Rail & 7/8 x 6 Non-Locking T&G Picket



****Aluminum insert required on Khaki and all Woodland Select colors.**

70" H x 73 1/2" W Classic Privacy

with 1 1/2 x 5 1/2 Rail & 7/8 x 11 1/4 Non-Locking T&G Picket



QTY	PART NUMBER	LENGTH
2	5 x 5 Post	108"
2	2 x 7 Slotted Rail	72"
6	7/8 x 11 1/4" Non-Locking T&G	60 1/4"
2	7/8 U-Channel	58 7/8"
6	#10 x 3/4" Screw	
2	5 x 5 External Long Cap	
2	5 x 5 Post Tower Insert	72"
	Insert for Khaki and WS colors	
1	1 1/2 x 5 1/2 Sltd Insert	72"

THIS DRAWING WAS MADE AND INTENDED FOR USE AS A GUIDE ONLY. ANY PRODUCT SUBSTITUTION OR VARIANCE MAY COMPROMISE THE STRUCTURE, DESIGN AND PERFORMANCE OF THE PRODUCT. NO WARRANTY IS EXPRESSED OR IMPLIED BY THIS DRAWING AND PLY GEM FENCE & RAIL.

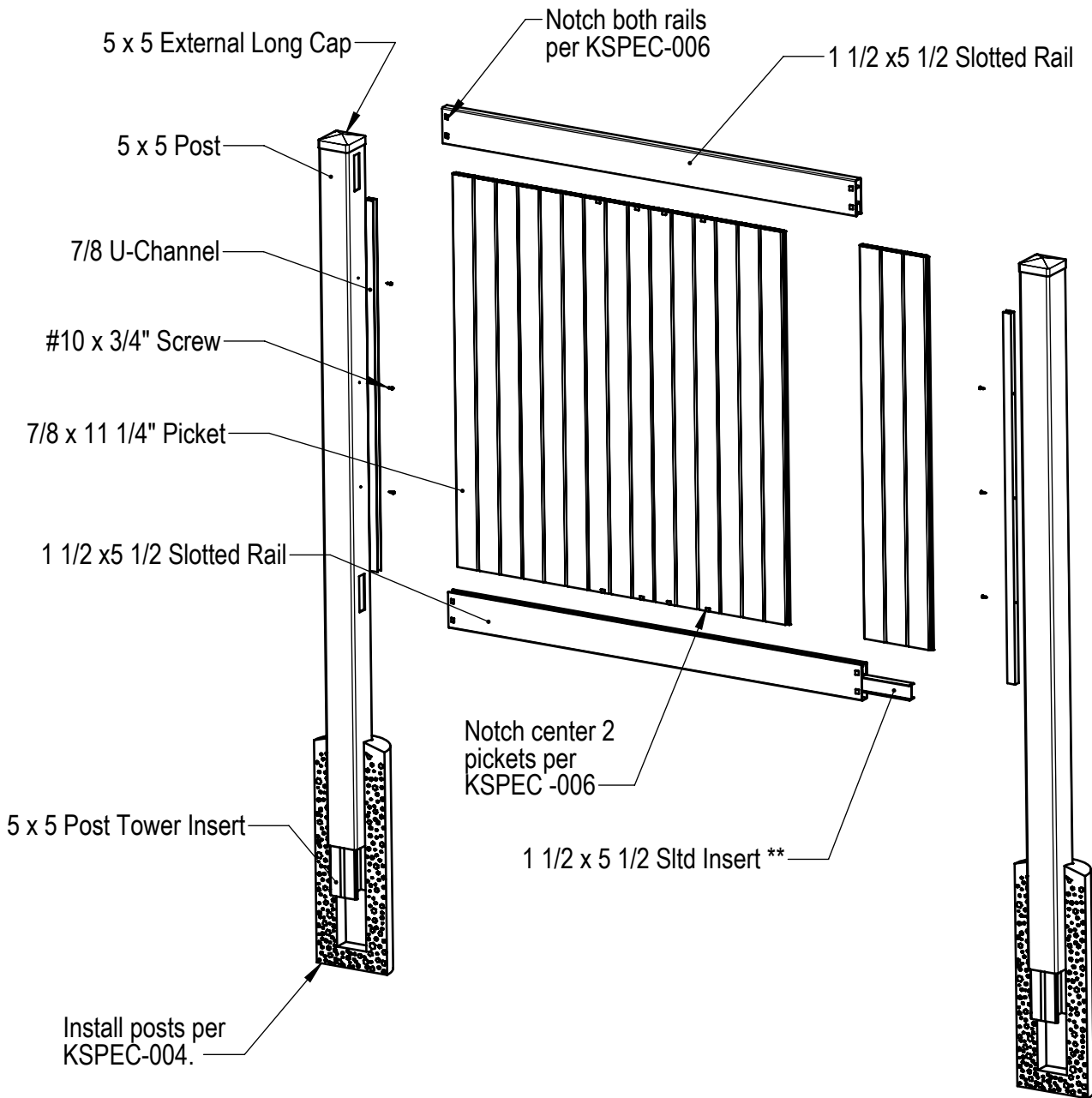
429
DRAWINGS ARE CONFIDENTIAL AND ARE THE PROPERTY OF PLY GEM FENCE & RAILING © MAR 2019.

P489

Sheet 1 of 2
10-22-22

70" H x 73 1/2" W Classic Privacy

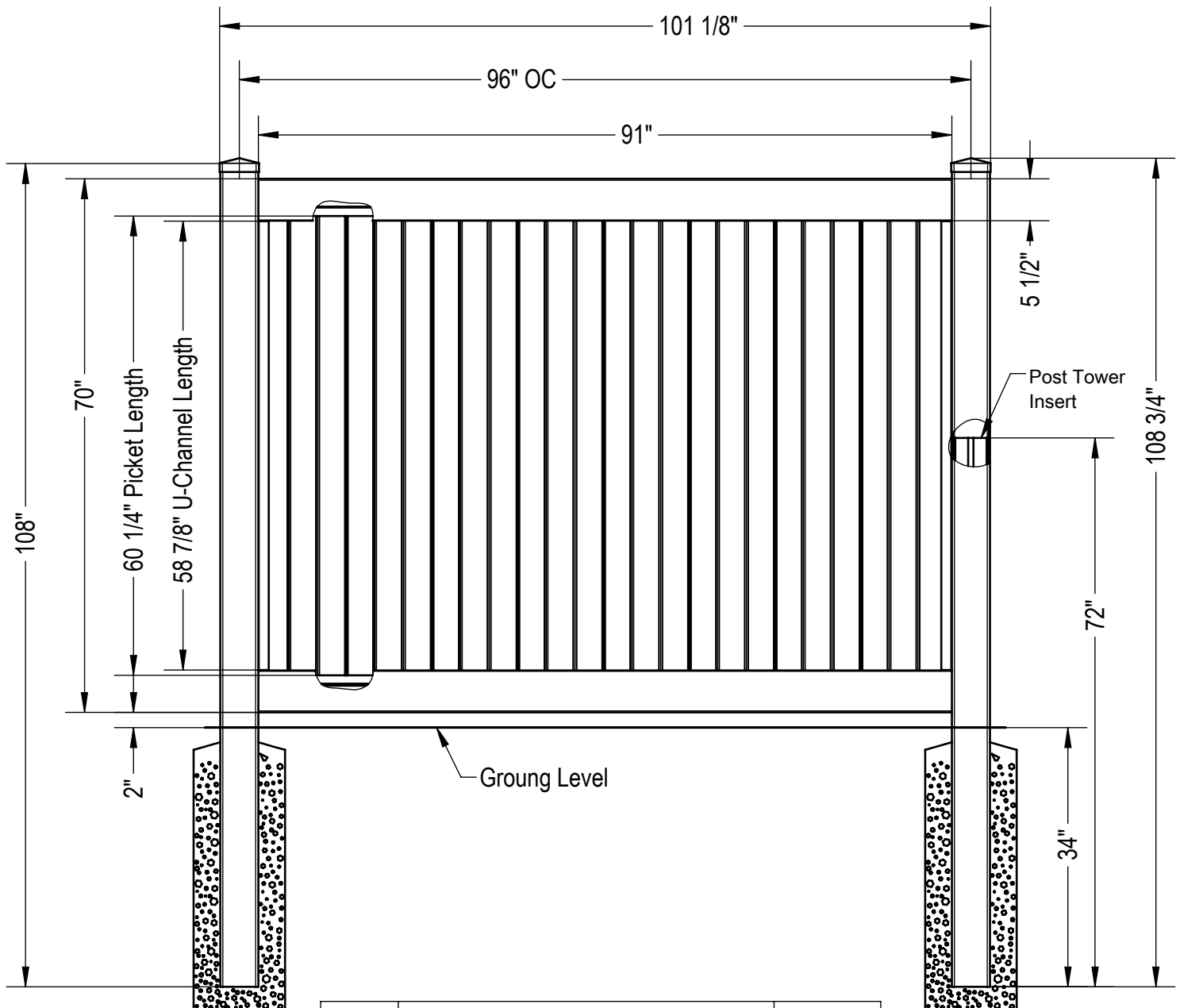
with 1 1/2 x 5 1/2 Rail & 7/8 x 11 1/4 Non-Locking T&G Picket



**Aluminum insert required on Khaki and all Woodland Select colors.

70" H x 96" W Classic Privacy

with 1 1/2 x 5 1/2 Rail & 7/8 x 11 1/4 Non-Locking T&G Picketet



QTY	PART NUMBER	LENGTH
2	5 x 5 Post	108"
2	5 x 5 Post Tower Insert	72"
2	1 1/2 x 5 1/2 Slotted Rail	94 1/2"
8	7/8 x 11 1/4" Non-Locking T&G	60 1/4"
2	7/8 U-Channel	58 7/8"
2	5 x 5 External Long Cap	
6	#10 x 3/4" Screw	
	Insert for Khaki and WS colors	
1	1 1/2 x 5 1/2 Sltd Insert	94 1/2"

THIS DRAWING WAS MADE AND INTENDED FOR USE AS A GUIDE ONLY. ANY PRODUCT SUBSTITUTION OR VARIANCE MAY COMPROMISE THE STRUCTURE, DESIGN AND PERFORMANCE OF THE PRODUCT. NO WARRANTY IS EXPRESSED OR IMPLIED BY THIS DRAWING AND PLY GEM FENCE & RAIL.

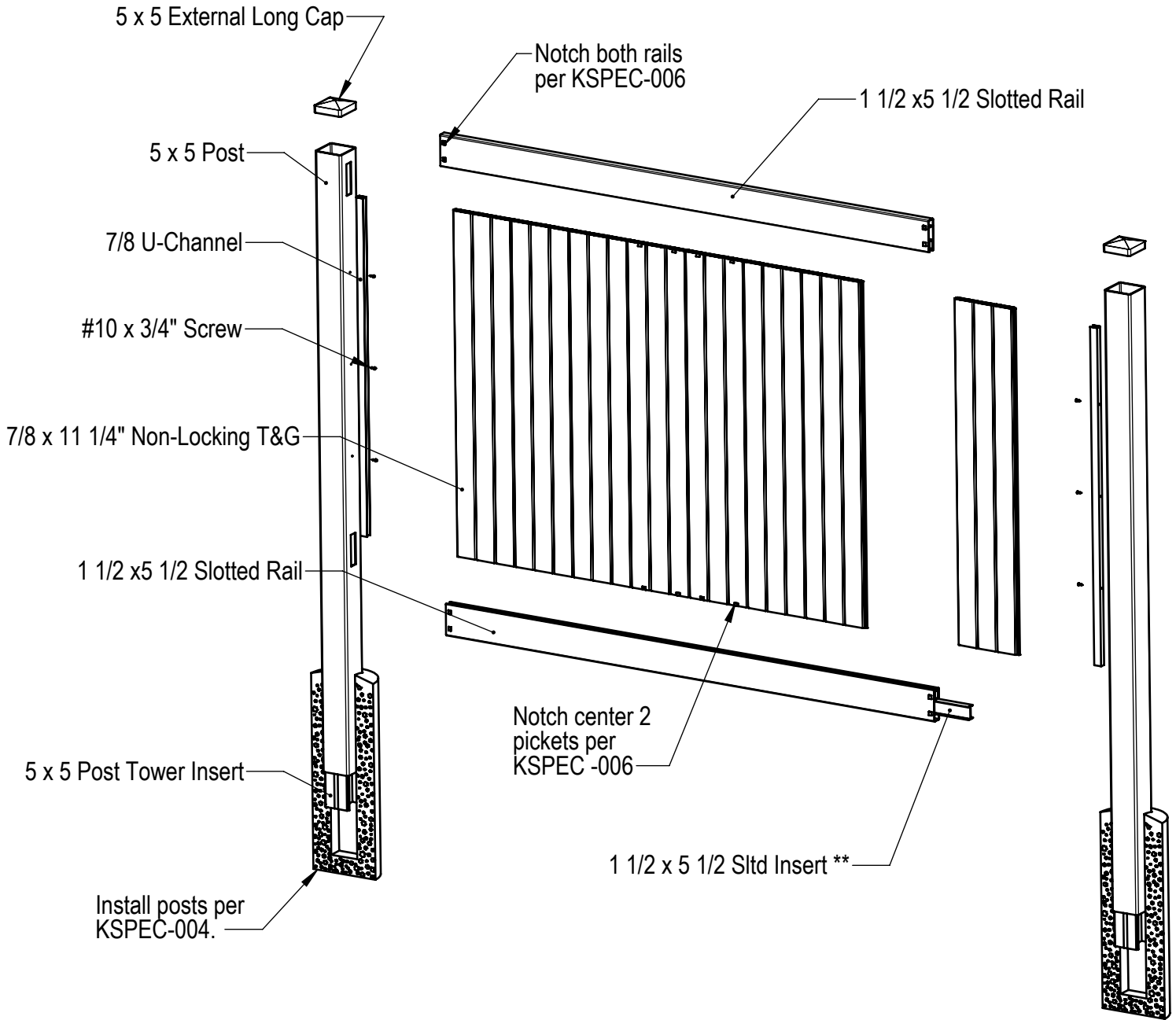
431
DRAWINGS ARE CONFIDENTIAL AND ARE THE PROPERTY OF PLY GEM FENCE & RAILING © MAR 2019.

P490

Sheet 1 of 2
10-22-22

70" H x 96" W Classic Privacy

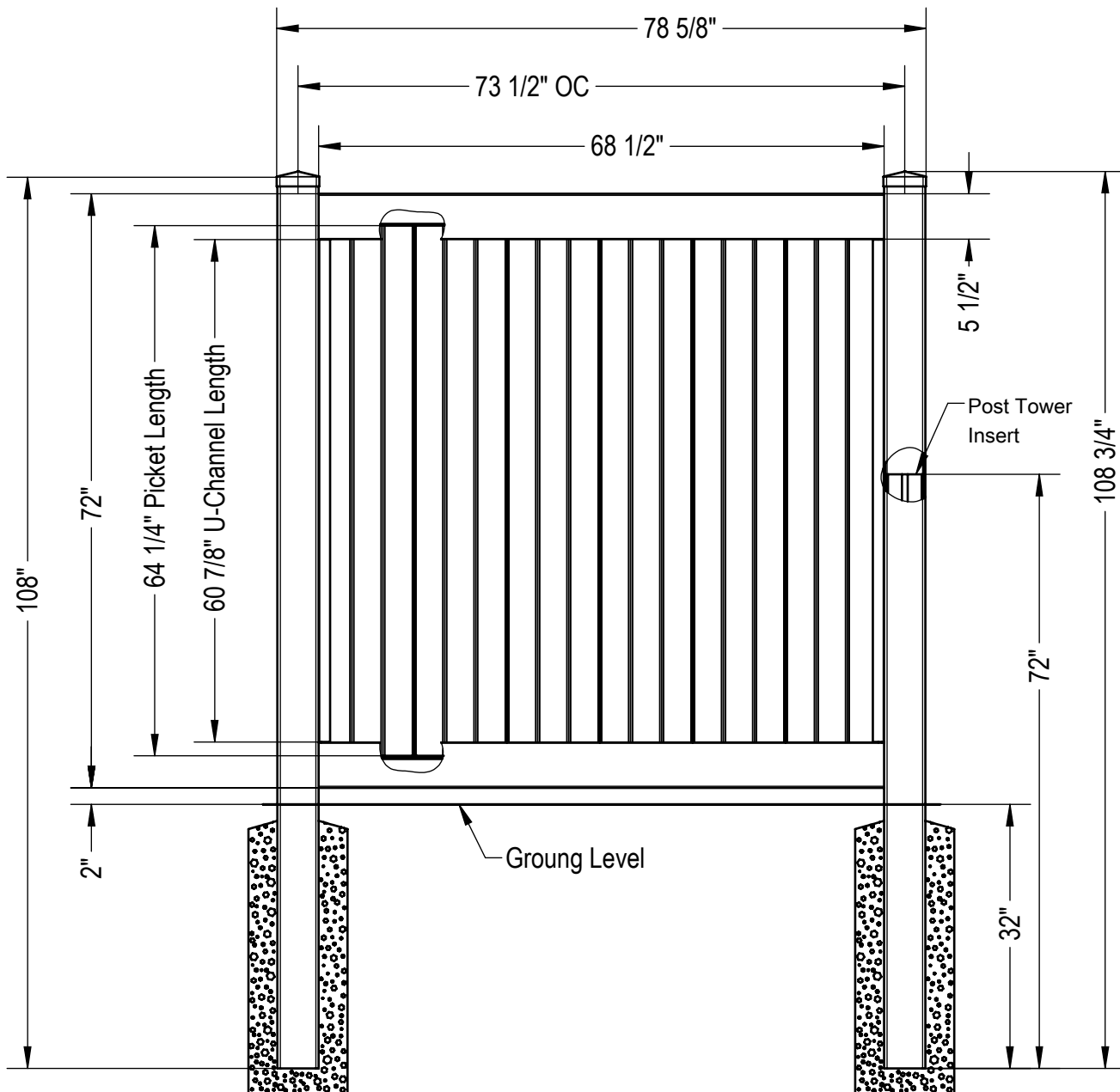
with 1 1/2 x 5 1/2 Rail & 7/8 x 11 1/4 Non-Locking T&G Picket



**Aluminum insert required on Khaki and all Woodland Select colors.

72" H x 73 1/2" W Classic Privacy

with 1 1/2 x 5 1/2 Rail & 7/8 x 11 1/4 Non-Locking T&G Picket



QTY	PART NUMBER	LENGTH
2	5 x 5 Post	108"
2	5 x 5 Post Tower Insert	72"
2	1 1/2 x 5 1/2 Slotted Rail	72
6	7/8 x 11 1/4" Picket	64 1/4"
2	7/8 U-Channel	60 7/8"
6	#10 x 3/4" Screw	
2	5 x 5 External Long Cap	
	Insert for Khaki and WS colors	
1	1 1/2 x 5 1/2 Sltd Insert	72"

THIS DRAWING WAS MADE AND INTENDED FOR USE AS A GUIDE ONLY. ANY PRODUCT SUBSTITUTION OR VARIANCE MAY COMPROMISE THE STRUCTURE, DESIGN AND PERFORMANCE OF THE PRODUCT. NO WARRANTY IS EXPRESSED OR IMPLIED BY THIS DRAWING AND PLY GEM FENCE & RAIL.

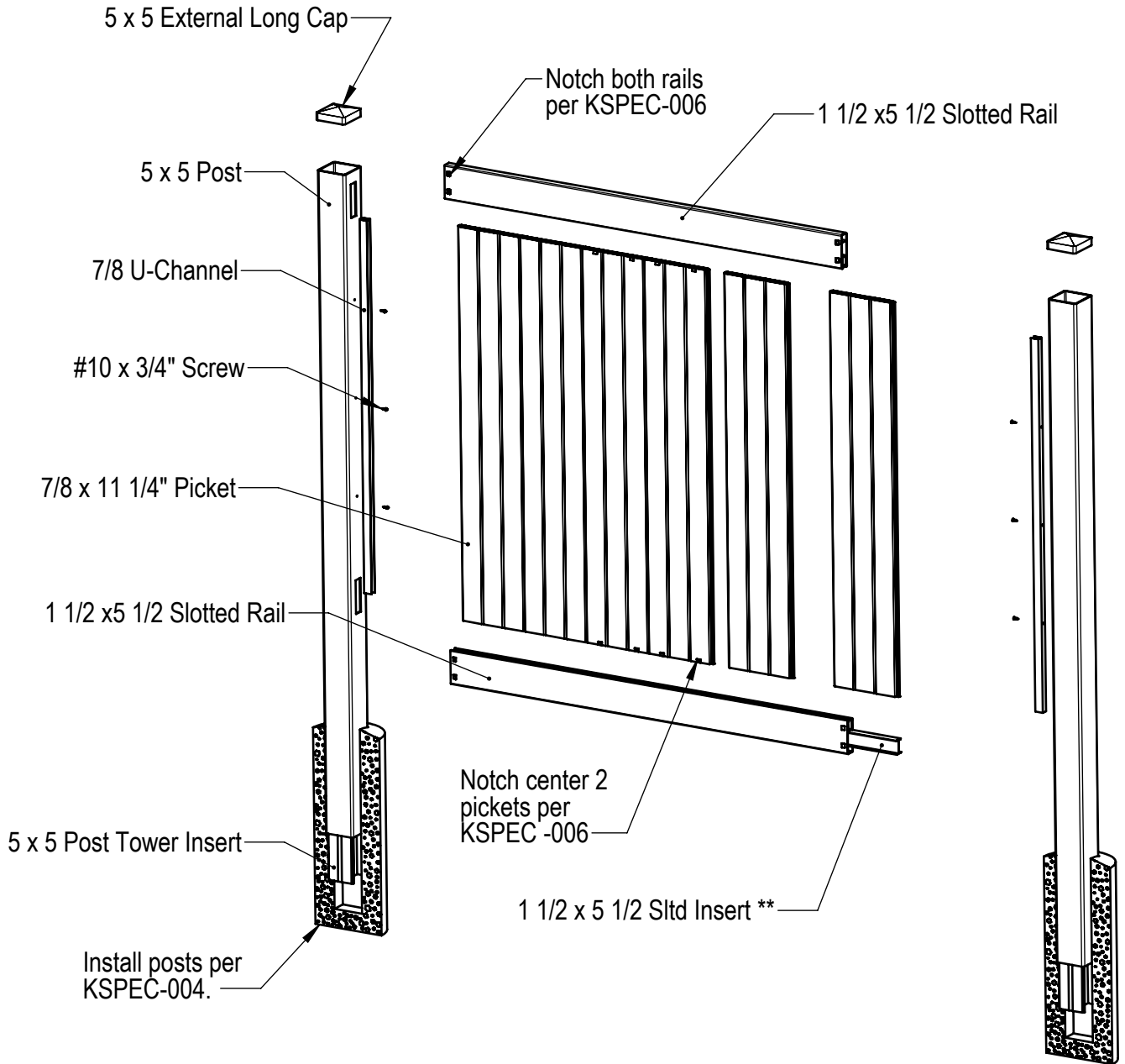
433
DRAWINGS ARE CONFIDENTIAL AND ARE THE PROPERTY OF PLY GEM FENCE & RAILING © MAR 2019.

P491

Sheet 1 of 2
10-22-22

72" H x 73 1/2" W Classic Privacy

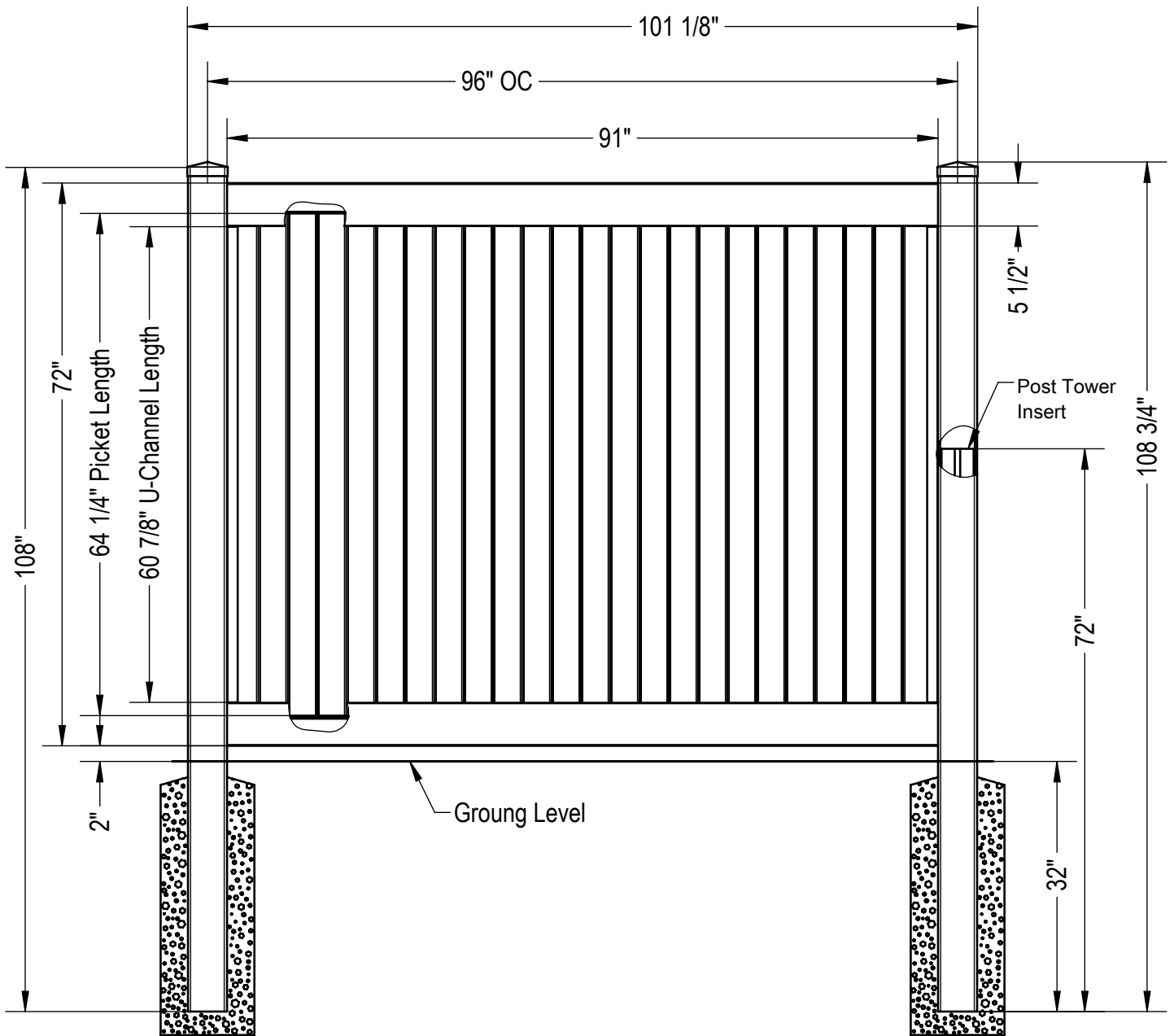
with 1 1/2 x 5 1/2 Rail & 7/8 x 11 1/4 Non-Locking T&G Picket



**Aluminum insert required on Khaki and all Woodland Select colors.

72" H x 96" W Classic Privacy

with 1 1/2 x 5 1/2 Rail & 7/8 x 11 1/4 Non-Locking T&G Picket



QTY	PART NUMBER	LENGTH
2	5 x 5 Post	108"
2	5 x 5 Post Tower Insert	72"
2	1 1/2 x 5 1/2 Slotted Rail	94 1/2"
8	7/8 x 11 1/4" Picket	64 1/4"
2	7/8 U-Channel	60 7/8"
6	#10 x 3/4" Screw	
2	5 x 5 External Long Cap	
	Insert for Khaki and WS colors	
1	1 1/2 x 5 1/2 Sltd Insert	94 1/2"

THIS DRAWING WAS MADE AND INTENDED FOR USE AS A GUIDE ONLY. ANY PRODUCT SUBSTITUTION OR VARIANCE MAY COMPROMISE THE STRUCTURE, DESIGN AND PERFORMANCE OF THE PRODUCT. NO WARRANTY IS EXPRESSED OR IMPLIED BY THIS DRAWING AND PLY GEM FENCE & RAIL.

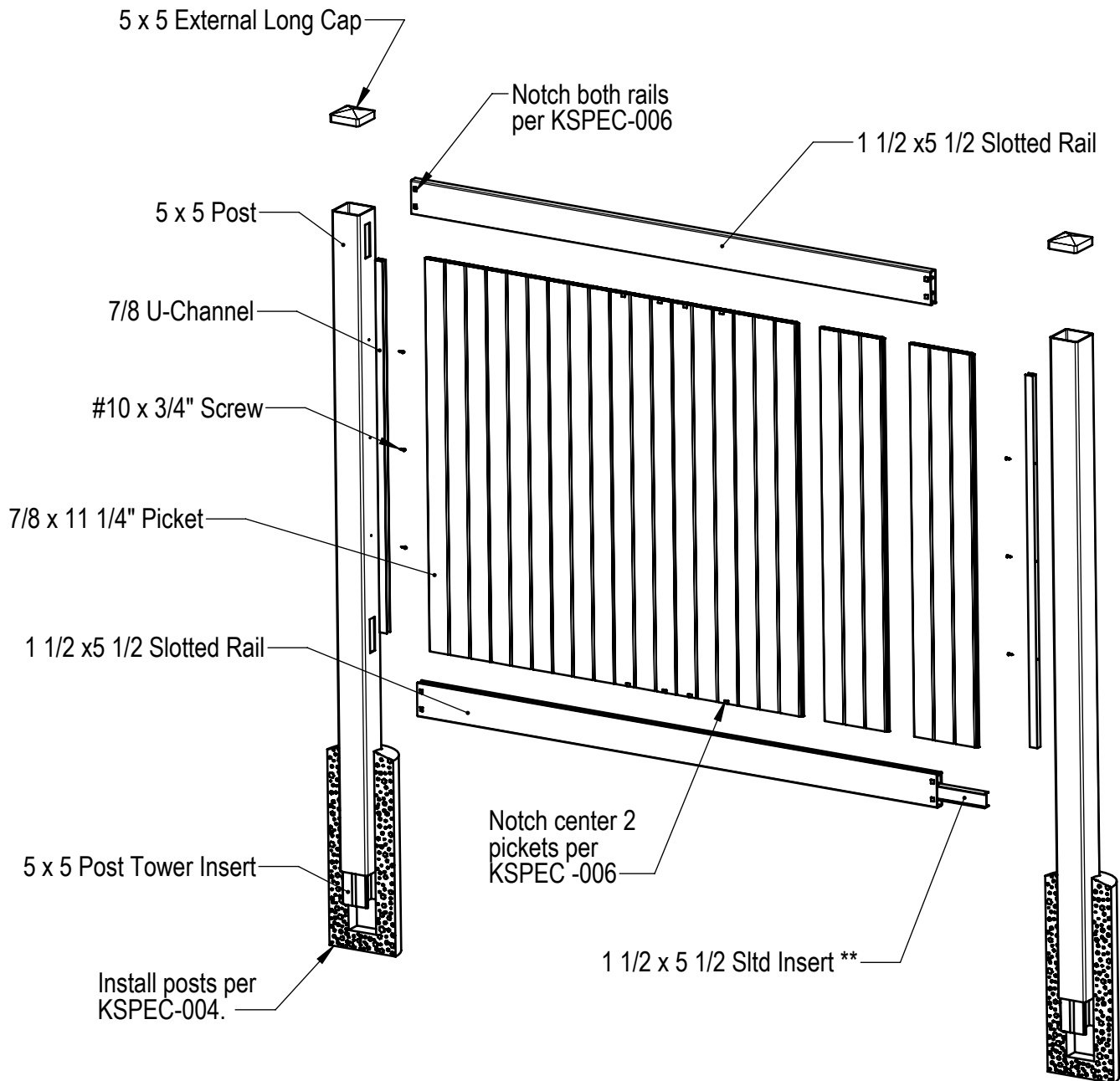
435
DRAWINGS ARE CONFIDENTIAL AND ARE THE PROPERTY OF PLY GEM FENCE & RAILING © MAR 2019.

P492

Sheet 1 of 2
10-22-22

72" H x 96" W Classic Privacy

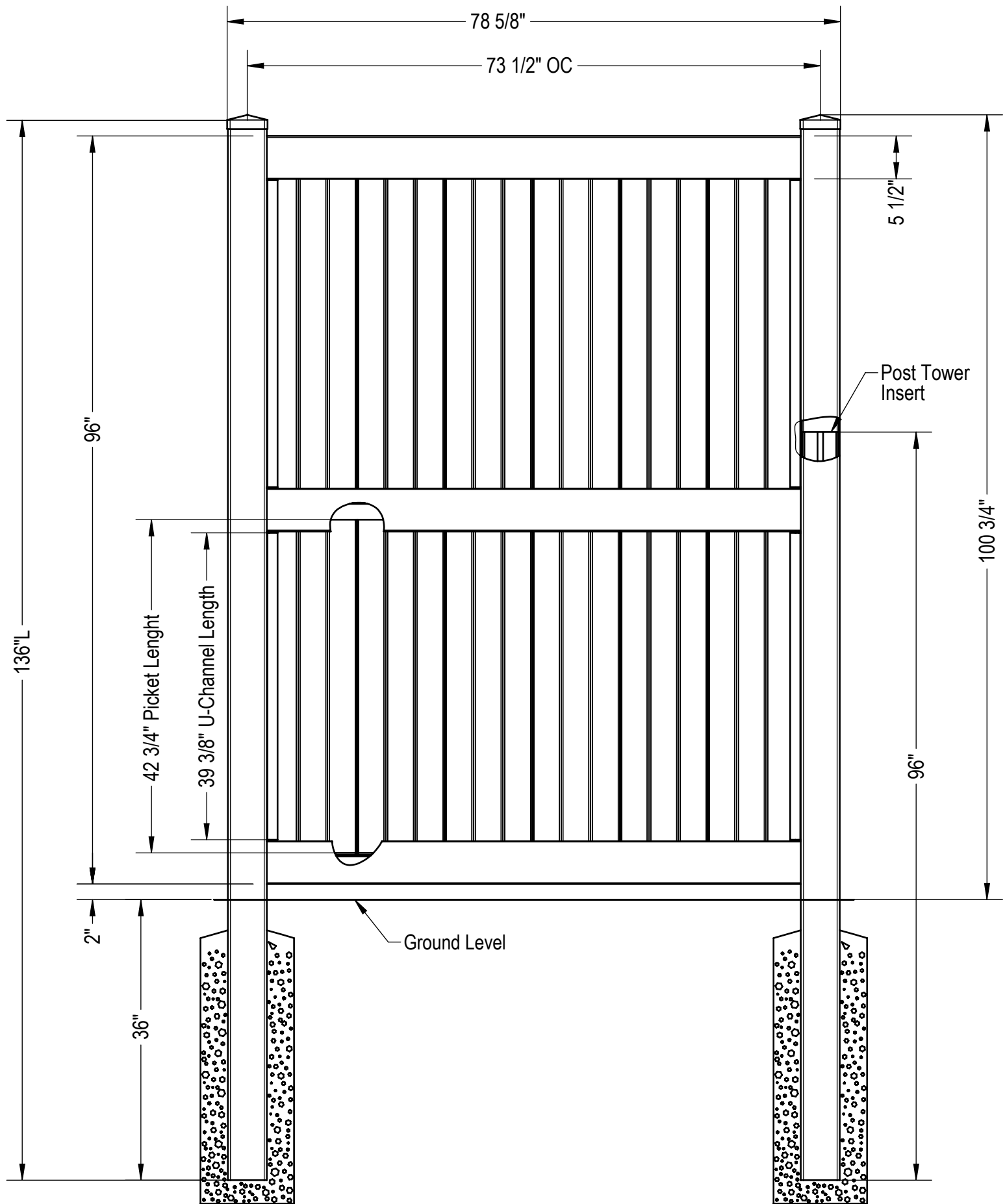
with 1 1/2 x 5 1/2 Rail & 7/8 x 11 1/4 Non-Locking T&G Picket



**Aluminum insert required on Khaki and all Woodland Select colors.

96" H x 73 1/2" W Classic Privacy

with 1 1/2 x 5 1/2 Rail & 7/8 x 6 T&G Picket



QTY	PART NUMBER	LENGTH
2	5 x 5 Post	136"
2	5 x 5 Post Tower Insert	96"
2	1 1/2 x 5 1/2 Slotted Rail	72"
2	1 1/2 x 5 1/2 Sltd insert	72"
4	7/8 U-Channel	39 3/8"
12	7/8 x 11 1/4" Picket	42 3/4"
2	5 x 5 External Long Cap	
12	#10 x 3/4" Screw	
	Insert for Khaki and WS colors	
1	1 1/2 x 5 1/2 Slotted Rail	72"

Dynamic wind load tested
 Report # H0431.01-119-19-R1
 Tested as KS2135

THIS DRAWING WAS MADE AND INTENDED FOR USE AS A GUIDE ONLY. ANY PRODUCT SUBSTITUTION OR VARIANCE MAY COMPROMISE THE STRUCTURE, DESIGN AND PERFORMANCE OF THE PRODUCT. NO WARRANTY IS EXPRESSED OR IMPLIED BY THIS DRAWING AND PLY GEM FENCE & RAIL.

DRAWINGS ARE CONFIDENTIAL AND ARE THE PROPERTY OF PLY GEM FENCE & RAILING © MAR 2019.

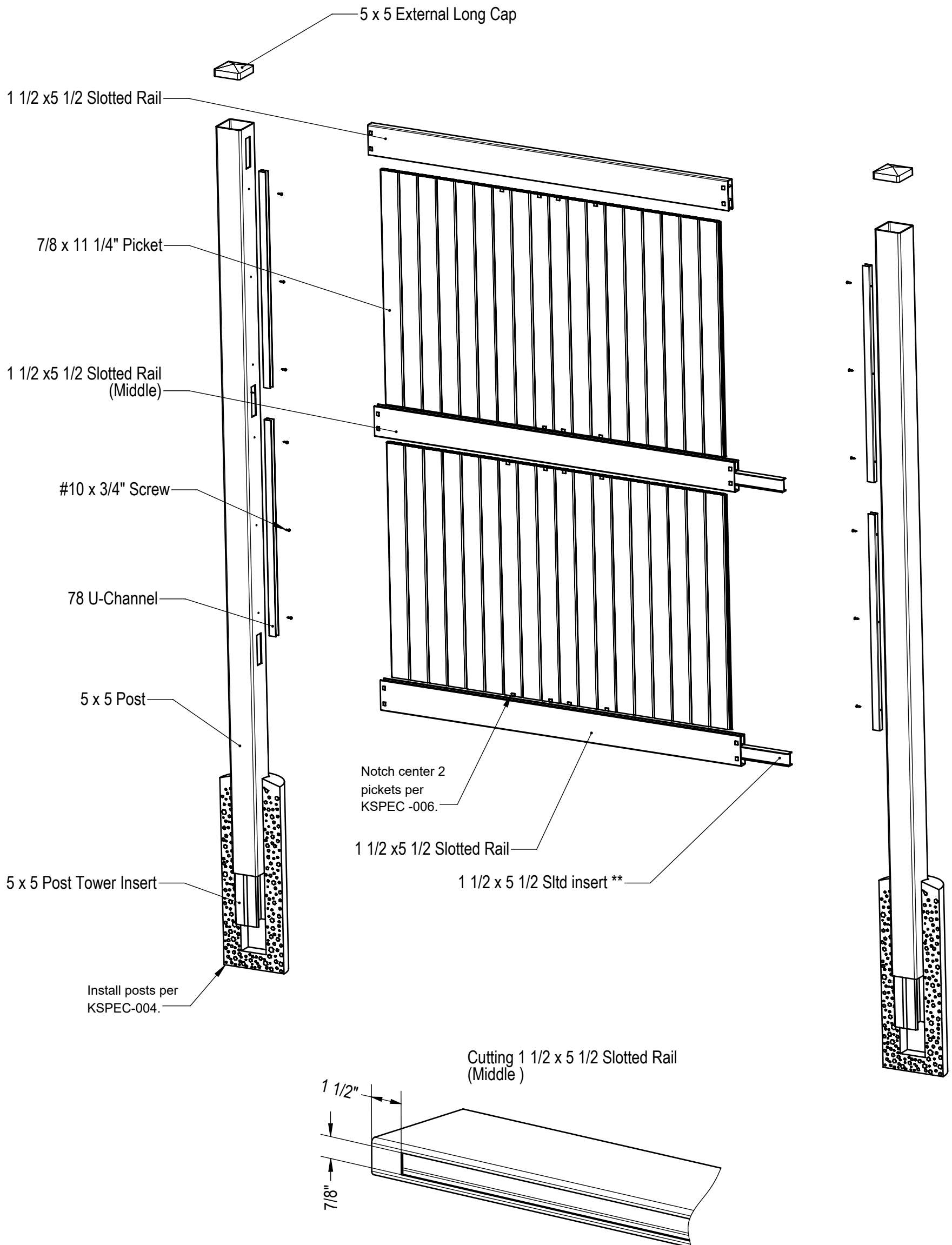
P493

Sheet 1 of 2

10-24-22

96" H x 73 1/2" W Classic Privacy

with 1 1/2 x 5 1/2 Rail & 7/8 x 6 T&G Picket



**Aluminum insert required on Khaki and all Woodland Select colors.

THIS DRAWING WAS MADE AND INTENDED FOR USE AS A GUIDE ONLY. ANY PRODUCT SUBSTITUTION OR VARIANCE MAY COMPROMISE THE STRUCTURE, DESIGN AND PERFORMANCE OF THE PRODUCT. NO WARRANTY IS EXPRESSED OR IMPLIED BY THIS DRAWING AND PLY GEM FENCE & RAIL.

DRAWINGS ARE CONFIDENTIAL AND ARE THE PROPERTY OF PLY GEM FENCE & RAILING © MAR 2019.

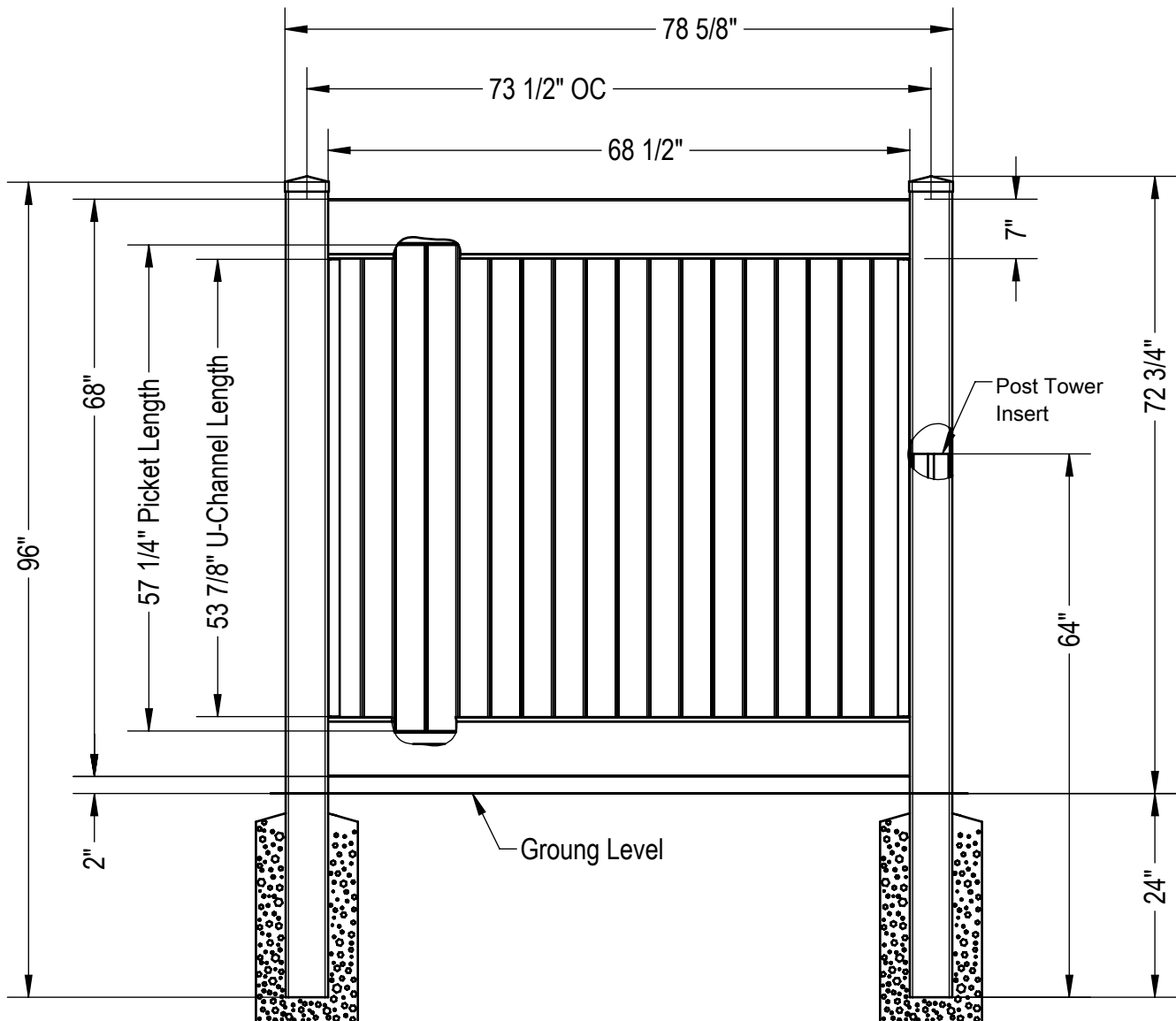
P493

Sheet 2 of 2

10-24-22

68" H x 73 1/2" W Classic Privacy

with 2 x 7 Rail & 7/8 x 11 1/4 Non-Locking T&G Pickets



QTY	PART NUMBER	LENGTH
2	5 x 5 Post	96"
2	5 x 5 Post Tower Insert	64"
2	2 x7 Slotted Rail	72"
6	7/8 x 11 1/4" Non-Locking T&G	57 1/4"
2	7/8 U-Channel	53 7/8"
6	#10 x 3/4" Screw	
2	5 x 5 External Long Cap	
	Insert for Khaki and WS colors	
1	2 x 7 H-Channel Insert	72"

THIS DRAWING WAS MADE AND INTENDED FOR USE AS A GUIDE ONLY. ANY PRODUCT SUBSTITUTION OR VARIANCE MAY COMPROMISE THE STRUCTURE, DESIGN AND PERFORMANCE OF THE PRODUCT. NO WARRANTY IS EXPRESSED OR IMPLIED BY THIS DRAWING AND PLY GEM FENCE & RAIL.

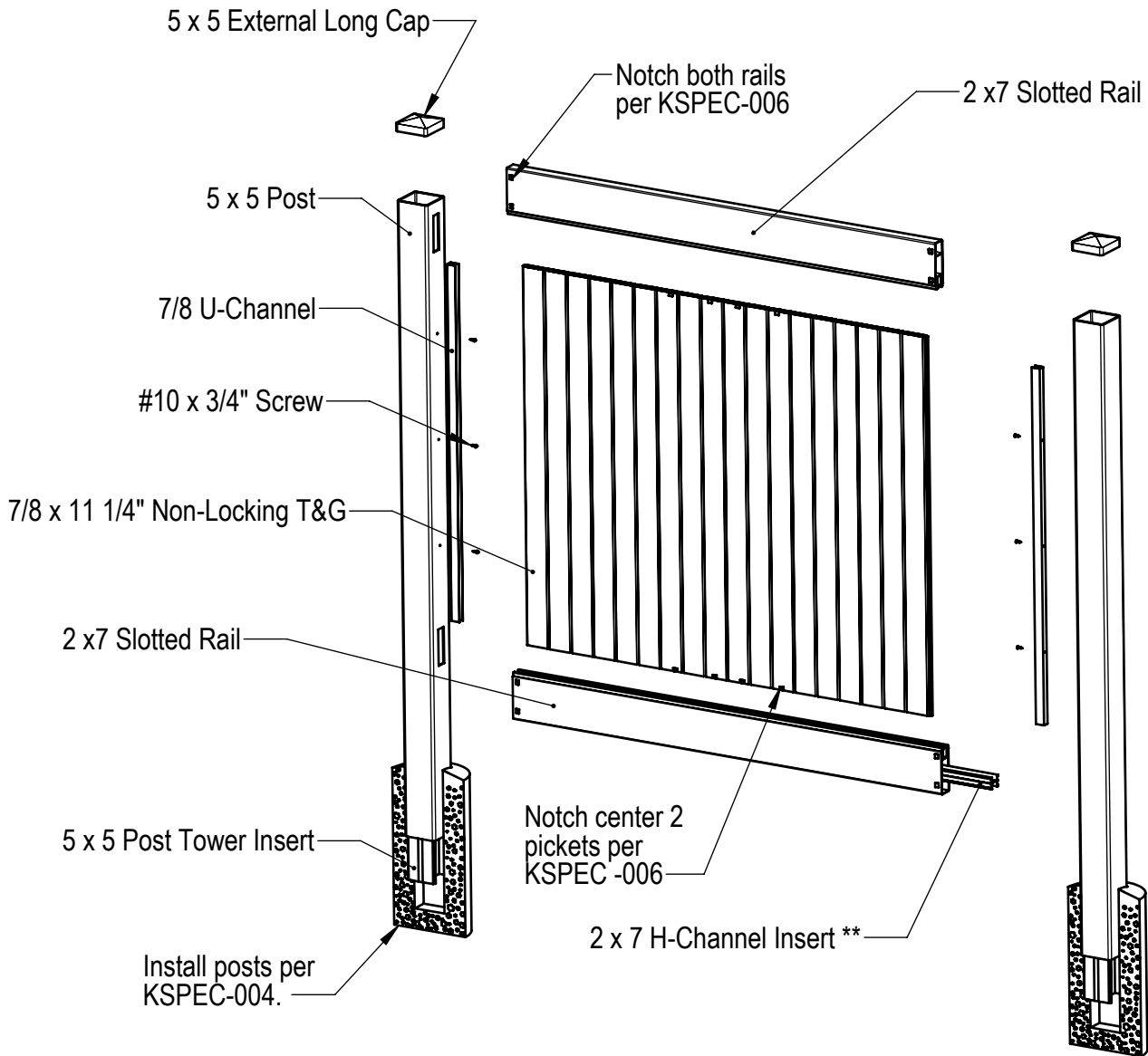
439
DRAWINGS ARE CONFIDENTIAL AND ARE THE PROPERTY OF PLY GEM FENCE & RAILING © MAR 2019.

P494

Sheet 1 of 2
10-24-22

68" H x 73 1/2" W Classic Privacy

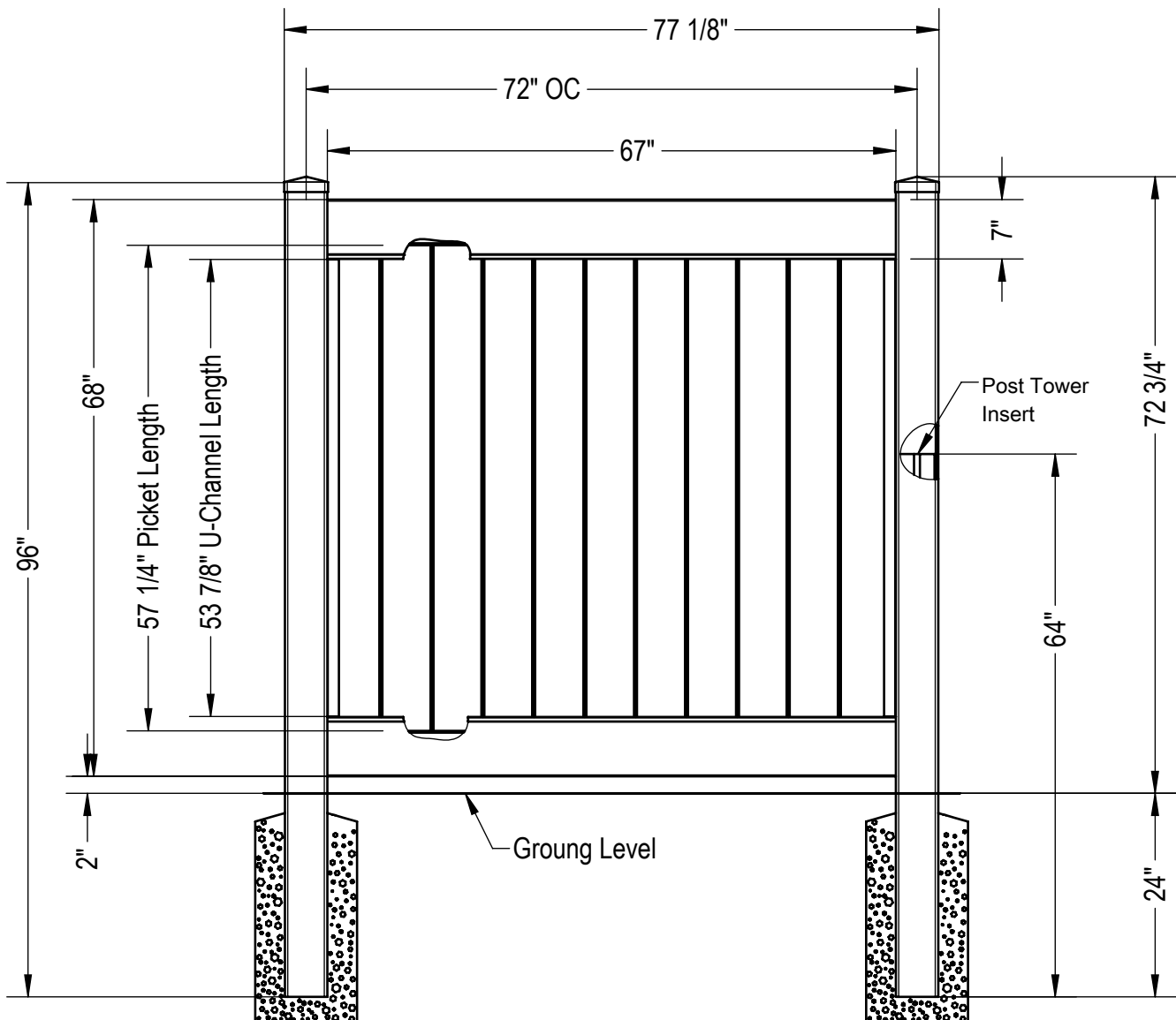
with 2 x 7 Rail & 7/8 x 11 1/4 Non-Locking T&G Pickets



**Aluminum insert required on Khaki and all Woodland Select colors.

68" H x 72" W Classic Privacy

with 2 x 7 2 Rail & 7/8 x 6 Non-Locking T&G Picket



QTY	PART NUMBER	LENGTH
2	5 x 5 Post	96"
2	5 x 5 Post Tower Insert	64"
2	2 x 7 Slotted Rail	70 1/2"
11	7/8 x 6 Non-Locking T&G	57 1/4"
2	7/8 U-Channel	53 7/8"
6	#10 x 3/4" Screw	
2	5 x 5 External Long Cap	
	Insert for Khaki and WS colors	
1	2 x 7 H-Channel Insert	70 1/2"

THIS DRAWING WAS MADE AND INTENDED FOR USE AS A GUIDE ONLY. ANY PRODUCT SUBSTITUTION OR VARIANCE MAY COMPROMISE THE STRUCTURE, DESIGN AND PERFORMANCE OF THE PRODUCT. NO WARRANTY IS EXPRESSED OR IMPLIED BY THIS DRAWING AND PLY GEM FENCE & RAIL.

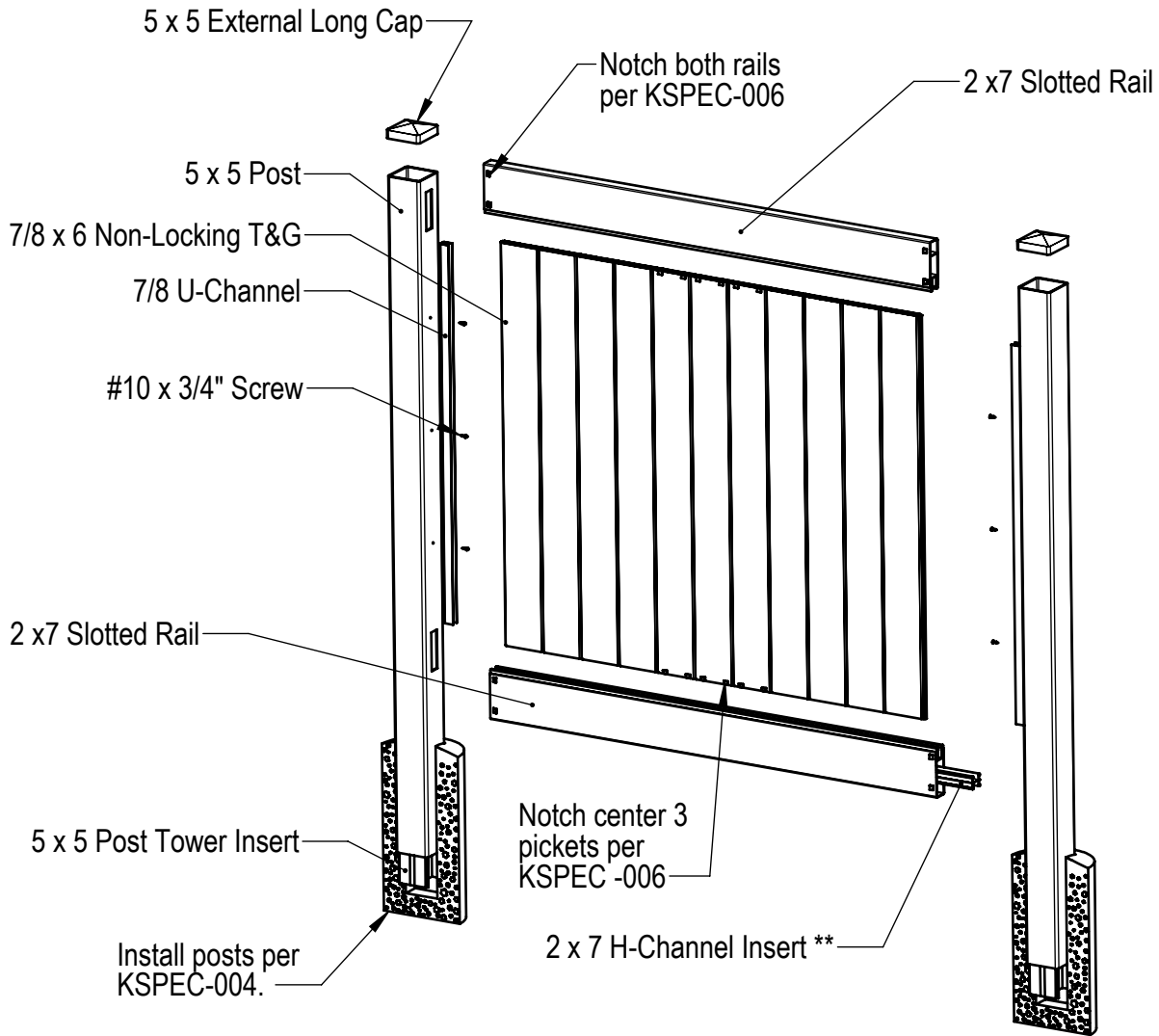
441
DRAWINGS ARE CONFIDENTIAL AND ARE THE PROPERTY OF PLY GEM FENCE & RAILING © MAR 2019.

P495

Sheet 1 of 2
10-24-22

68" H x 72" W Classic Privacy

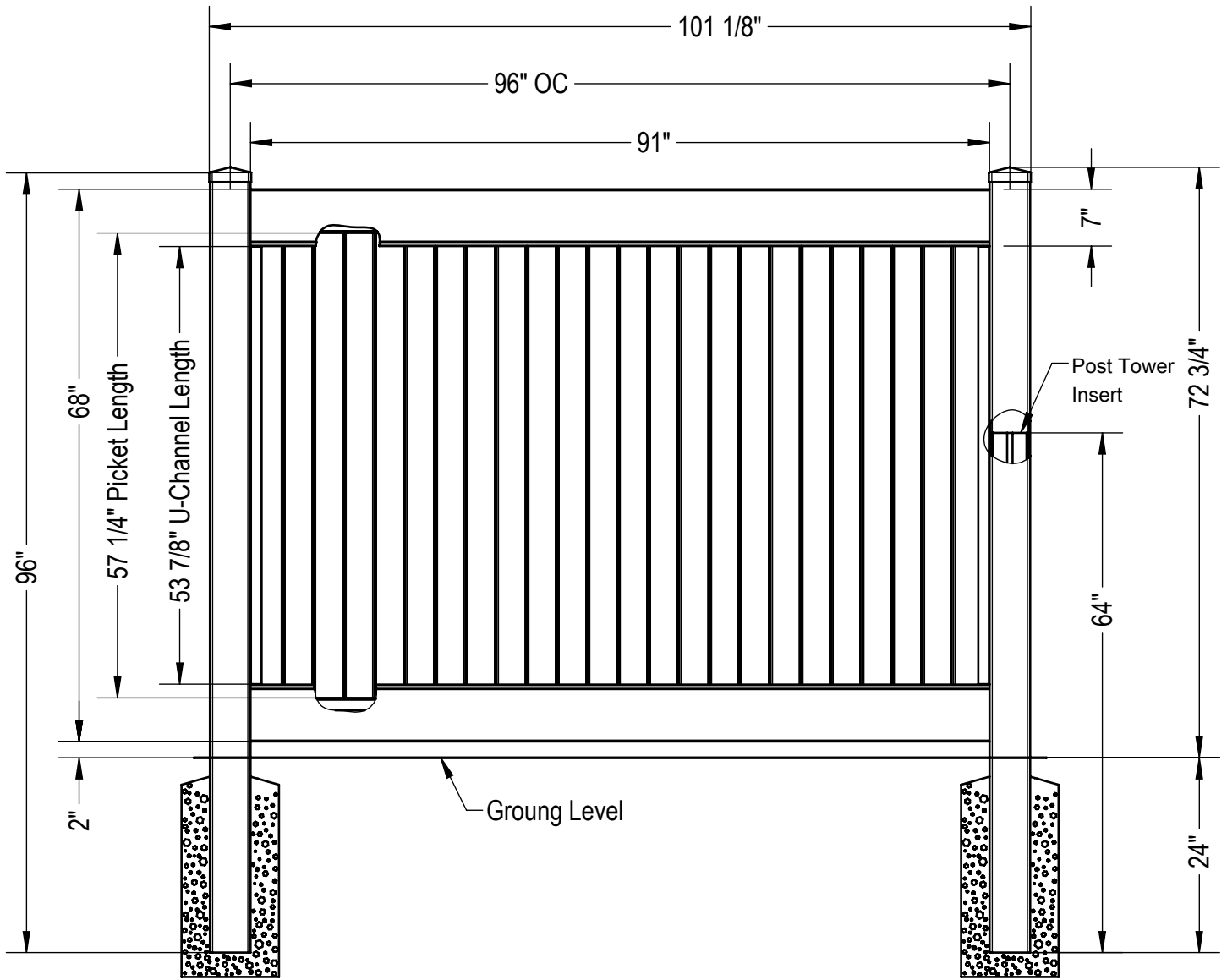
with 2 x 7 2 Rail & 7/8 x 6 Non-Locking T&G Picket



**Aluminum insert required on Khaki and all Woodland Select colors.

68" H x 96" W Classic Privacy

with 2 x 7 Rail & 7/8 x 11 1/4 Non-Locking T&G Pickets



QTY	PART NUMBER	LENGTH
2	5 x 5 Post	96"
2	5 x 5 Post Tower Insert	64"
2	2 x7 Slotted Rail	94.5
8	7/8 x 11 1/4" Non-Locking T&G	57 1/4"
2	7/8 U-Channel	53 7/8"
6	#10 x 3/4" Screw	
2	5 x 5 External Long Cap	
	Insert for Khaki and WC colors	
1	2 x 7 H-Channel Insert	94 1/2"

THIS DRAWING WAS MADE AND INTENDED FOR USE AS A GUIDE ONLY. ANY PRODUCT SUBSTITUTION OR VARIANCE MAY COMPROMISE THE STRUCTURE, DESIGN AND PERFORMANCE OF THE PRODUCT. NO WARRANTY IS EXPRESSED OR IMPLIED BY THIS DRAWING AND PLY GEM FENCE & RAIL.

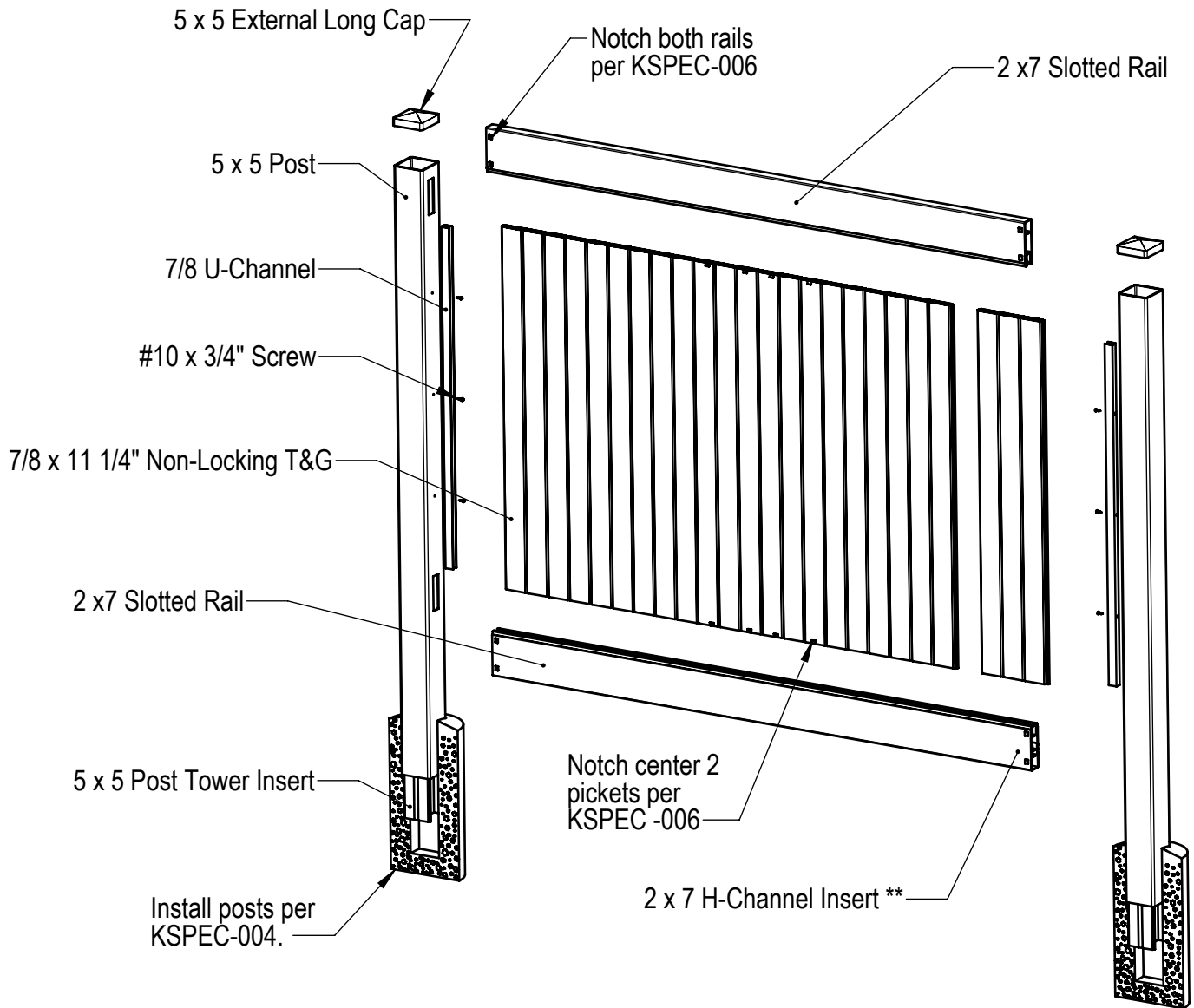
443
DRAWINGS ARE CONFIDENTIAL AND ARE THE PROPERTY OF PLY GEM FENCE & RAILING © MAR 2019.

P496

Sheet 1 of 2
10-24-22

68" H x 96" W Classic Privacy

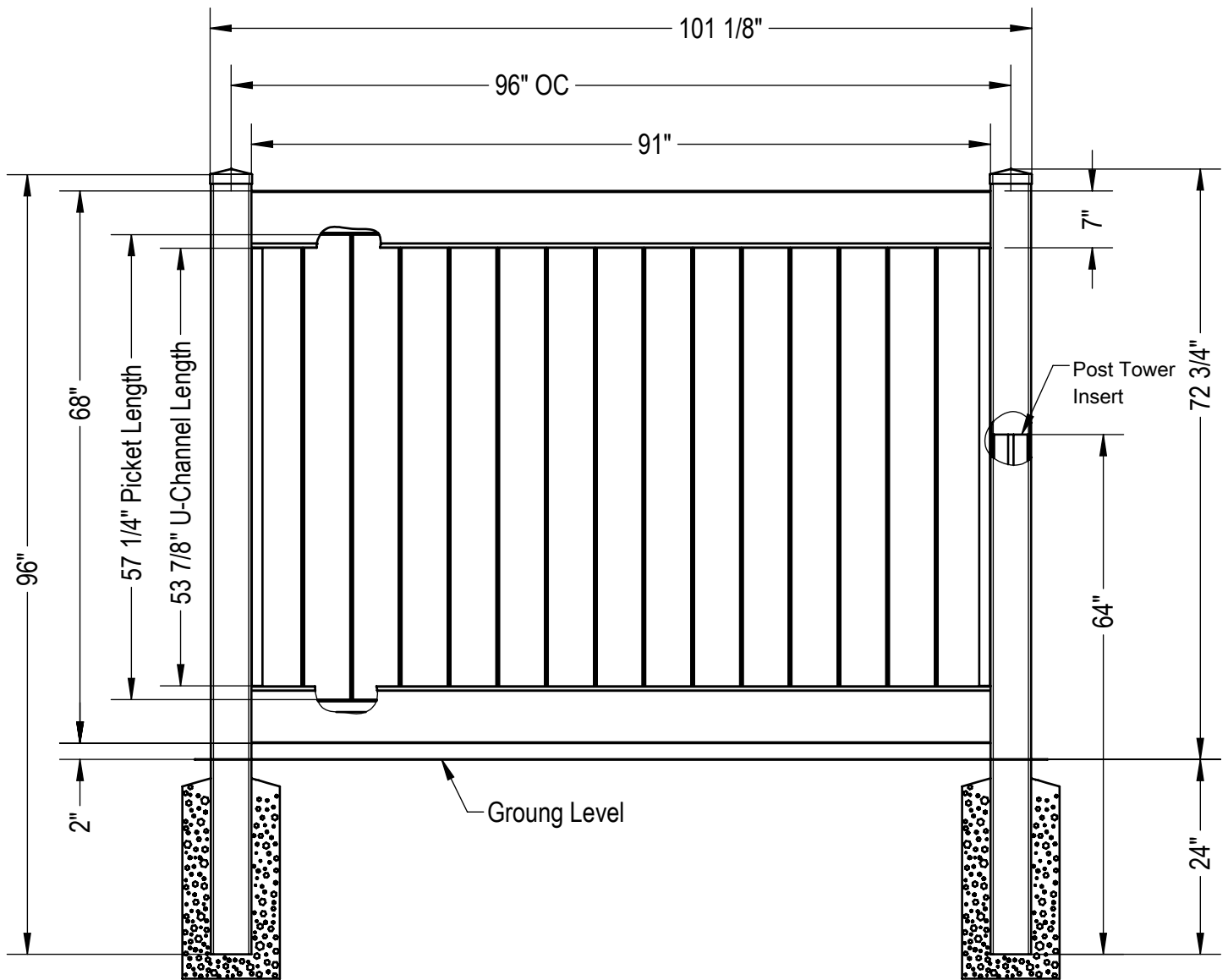
with 2 x 7 Rail & 7/8 x 11 1/4 Non-Locking T&G Pickets



**Aluminum insert required on Khaki and all Woodland Select colors.

68" H x 96" W Classic Privacy

with 1 1/2 x 5 1/2 Rail & 7/8 x 6 Non-Locking T&G Picket



QTY	PART NUMBER	LENGTH
2	5 x 5 Post	96"
2	5 x 5 Post Tower Insert	64"
2	2 x 7 Slotted Rail	94.5
15	7/8 x 6 Non-Locking T&G	57 1/4"
2	7/8 U-Channel	53 7/8"
6	#10 x 3/4" Screw	
2	5 x 5 External Long Cap	
	Insert for Khaki and WC colors	
1	2 x 7 H-Channel Insert	94 1/2"

THIS DRAWING WAS MADE AND INTENDED FOR USE AS A GUIDE ONLY. ANY PRODUCT SUBSTITUTION OR VARIANCE MAY COMPROMISE THE STRUCTURE, DESIGN AND PERFORMANCE OF THE PRODUCT. NO WARRANTY IS EXPRESSED OR IMPLIED BY THIS DRAWING AND PLY GEM FENCE & RAIL.

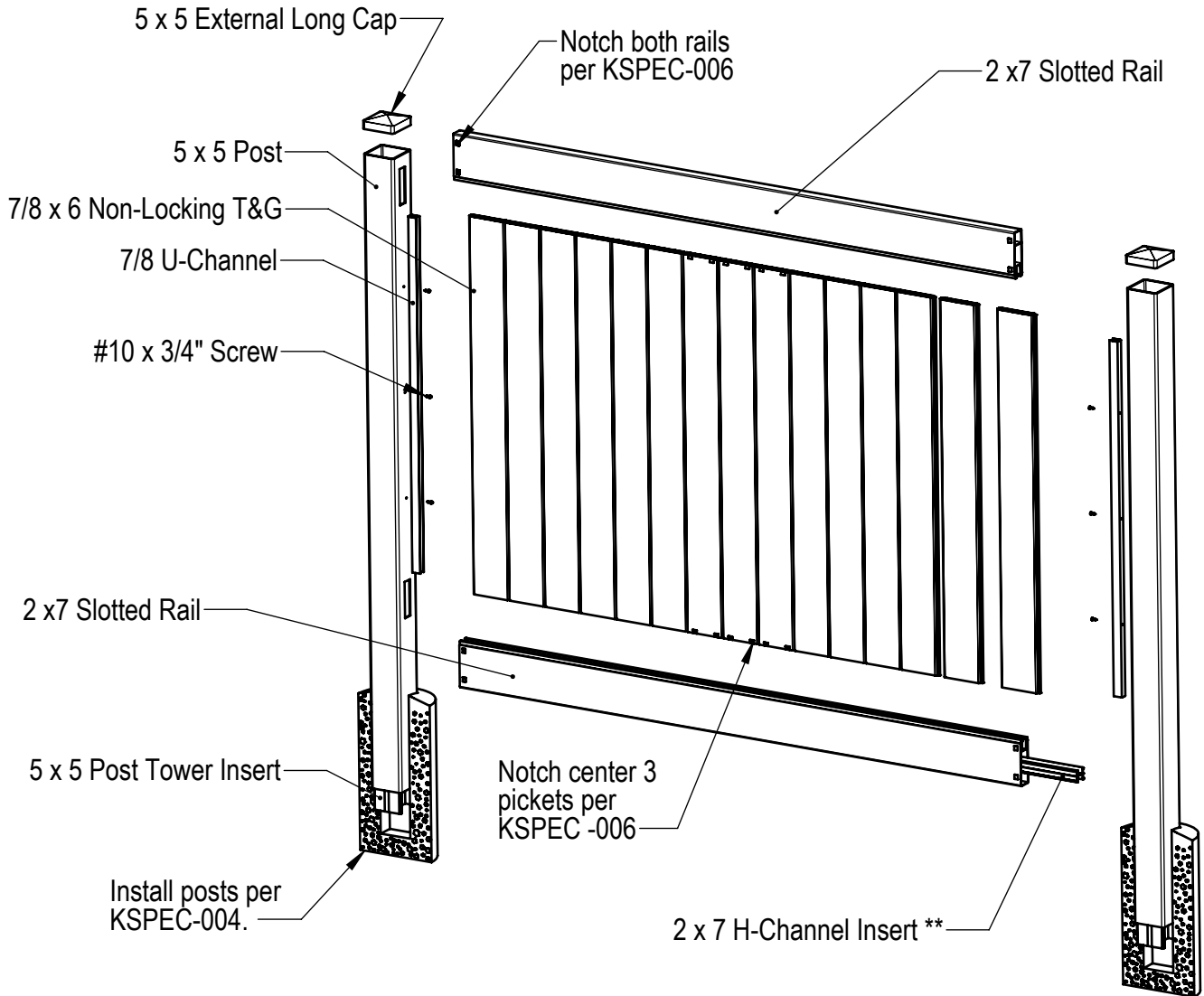
445
DRAWINGS ARE CONFIDENTIAL AND ARE THE PROPERTY OF PLY GEM FENCE & RAILING © MAR 2019.

P497

Sheet 1 of 2
10-24-22

68" H x 96" W Classic Privacy

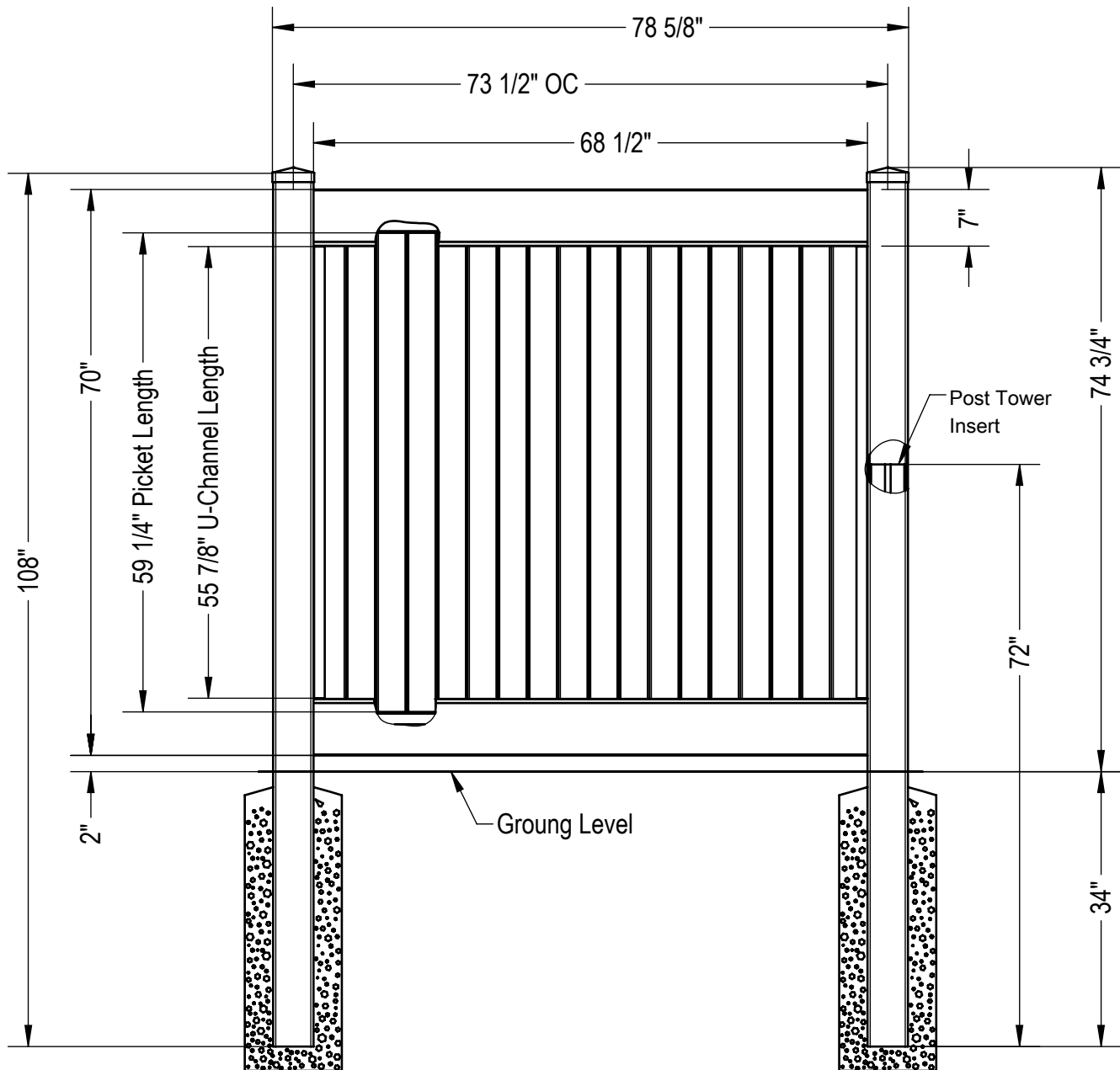
with 1 1/2 x 5 1/2 Rail & 7/8 x 6 Non-Locking T&G Picket



**Aluminum insert required on Khaki and all Woodland Select colors.

70" H x 73 1/2" W Classic Privacy

with 2 x 7 Rail & 7/8 x 11 1/4 Non-Locking T&G Pickets



QTY	PART NUMBER	LENGTH
2	5 x 5 Post	108"
2	5 x 5 Post Tower Insert	72"
2	2 x7 Slotted Rail	72"
6	7/8 x 11 1/4" Non-Locking T&G	59 1/4"
2	7/8 U-Channel	55 7/8"
6	#10 x 3/4" Screw	
2	5 x 5 External Long Cap	
	Insert for Khaki and WS colors	
1	2 x 7 H-Channel Insert	72"

THIS DRAWING WAS MADE AND INTENDED FOR USE AS A GUIDE ONLY. ANY PRODUCT SUBSTITUTION OR VARIANCE MAY COMPROMISE THE STRUCTURE, DESIGN AND PERFORMANCE OF THE PRODUCT. NO WARRANTY IS EXPRESSED OR IMPLIED BY THIS DRAWING AND PLY GEM FENCE & RAIL.

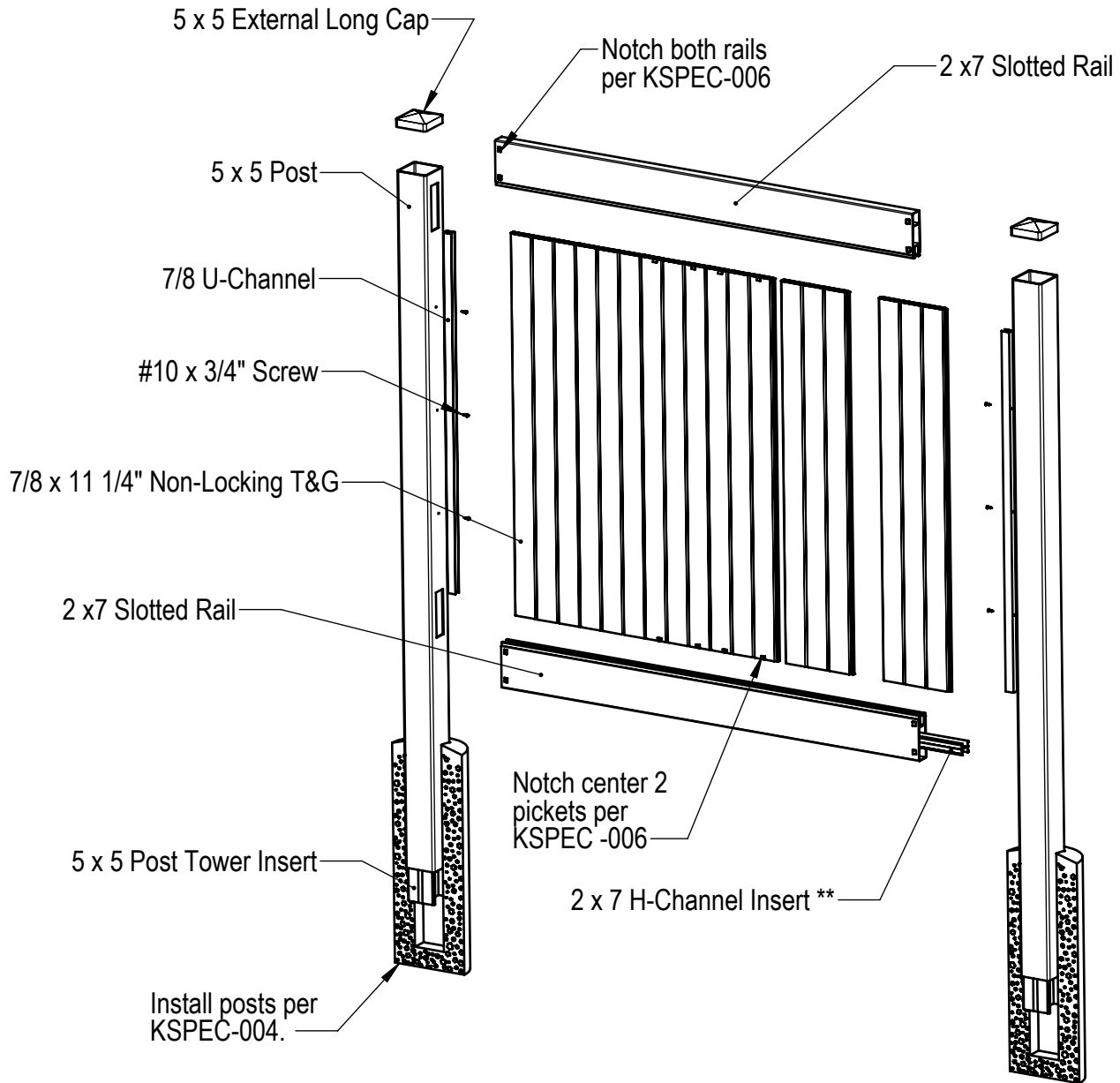
447
DRAWINGS ARE CONFIDENTIAL AND ARE THE PROPERTY OF PLY GEM FENCE & RAILING © MAR 2019.

P498

Sheet 1 of 2
10-24-22

70" H x 73 1/2" W Classic Privacy

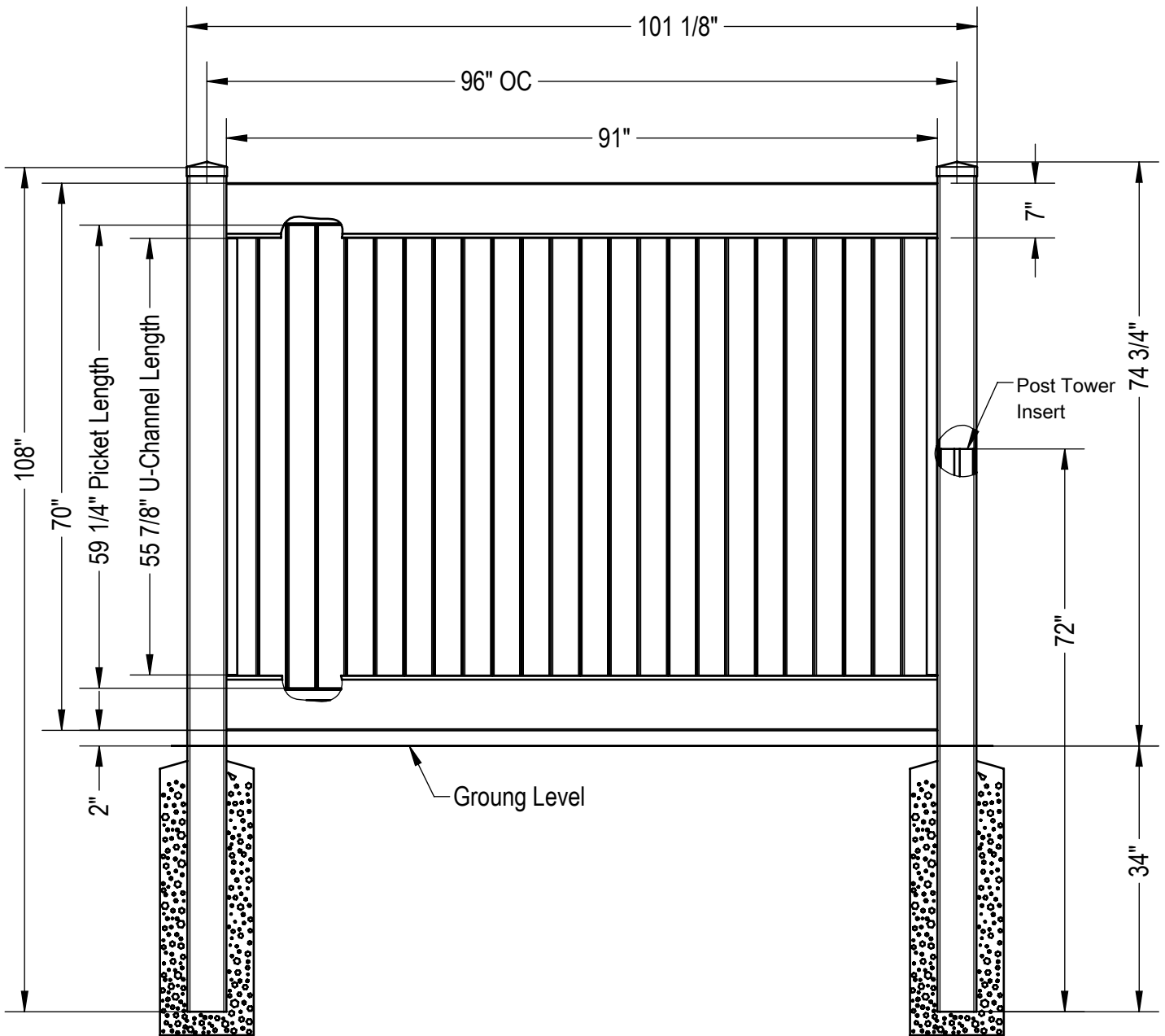
with 2 x 7 Rail & 7/8 x 11 1/4 Non-Locking T&G Pickets



**Aluminum insert required on Khaki and all Woodland Select colors.

70" H x 96" W Classic Privacy

with 2 x 7 Rail & 7/8 x 11 1/4 Non-Locking T&G Pickets



QTY	PART NUMBER	LENGTH
2	5 x 5 Post	108"
2	5 x 5 Post Tower Insert	72"
2	2 x7 Slotted Rail	94.5
8	7/8 x 11 1/4" Non-Locking T&G	59 1/4"
2	7/8 U-Channel	55 7/8"
6	#10 x 3/4" Screw	
2	5 x 5 External Long Cap	
	Insert for Khaki and WS colors	
1	2 x 7 H-Channel Insert	94 1/2"

THIS DRAWING WAS MADE AND INTENDED FOR USE AS A GUIDE ONLY. ANY PRODUCT SUBSTITUTION OR VARIANCE MAY COMPROMISE THE STRUCTURE, DESIGN AND PERFORMANCE OF THE PRODUCT. NO WARRANTY IS EXPRESSED OR IMPLIED BY THIS DRAWING AND PLY GEM FENCE & RAIL.

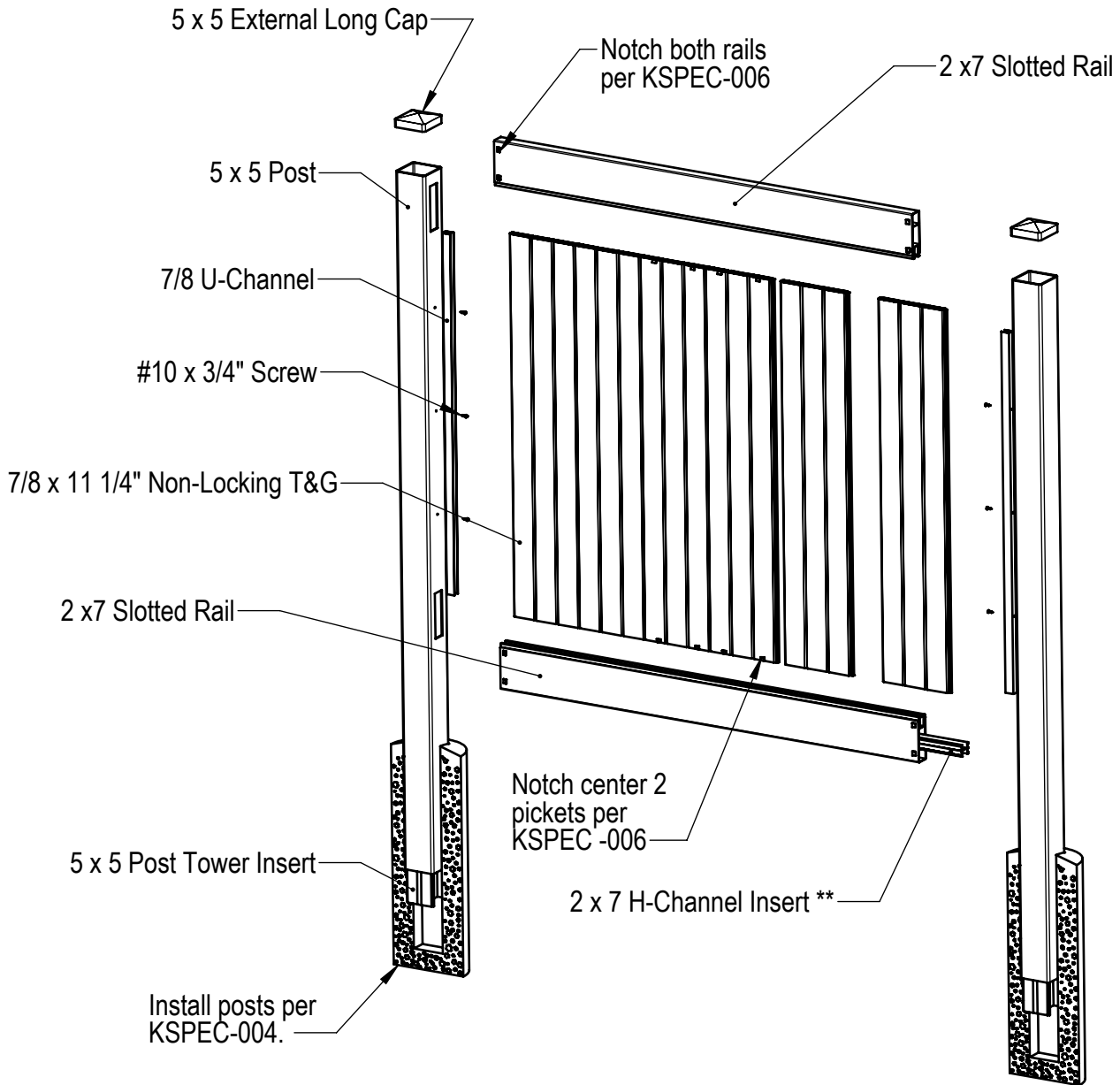
449
DRAWINGS ARE CONFIDENTIAL AND ARE THE PROPERTY OF PLY GEM FENCE & RAILING © MAR 2019.

P499

Sheet 1 of 2
10-24-22

70" H x 96" W Classic Privacy

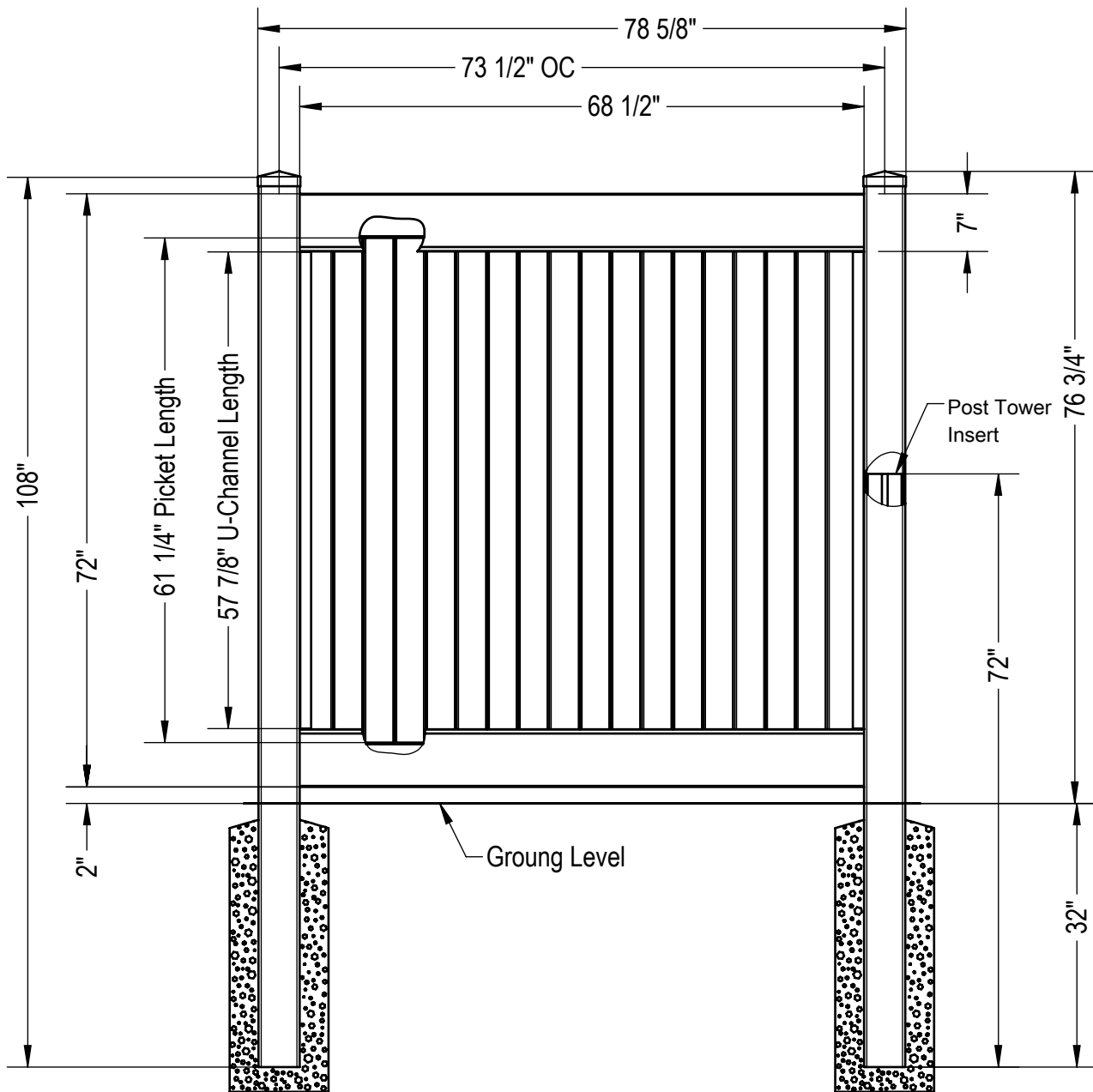
with 2 x 7 Rail & 7/8 x 11 1/4 Non-Locking T&G Pickets



**Aluminum insert required on Khaki and all Woodland Select colors.

72" H x 73 1/2" W Classic Privacy

with 2 x 7 Rail & 7/8 x 11 1/4 Non-Locking T&G Pickets



QTY	PART NUMBER	LENGTH
2	5 x 5 Post	108"
2	5 x 5 Post Tower Insert	72"
2	2 x 7 Slotted Rail	72"
6	7/8 x 11 1/4" Non-Locking T&G	61 1/4"
2	7/8 U-Channel	57 7/8"
6	#10 x 3/4" Screw	
2	5 x 5 External Long Cap	
	Insert for Khaki and WS colors	
1	2 x 7 H-Channel Insert	72"

THIS DRAWING WAS MADE AND INTENDED FOR USE AS A GUIDE ONLY. ANY PRODUCT SUBSTITUTION OR VARIANCE MAY COMPROMISE THE STRUCTURE, DESIGN AND PERFORMANCE OF THE PRODUCT. NO WARRANTY IS EXPRESSED OR IMPLIED BY THIS DRAWING AND PLY GEM FENCE & RAIL.

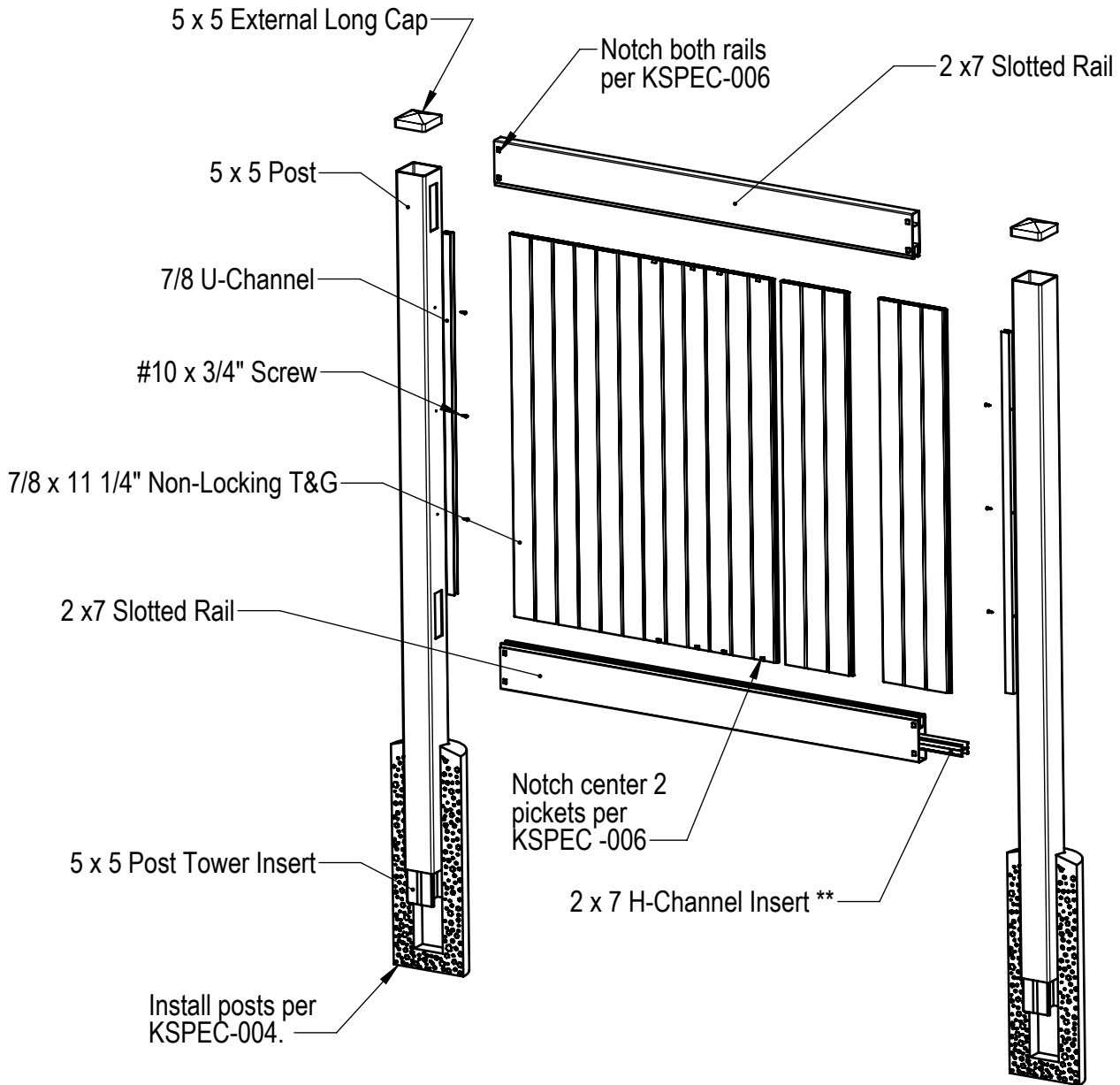
451
DRAWINGS ARE CONFIDENTIAL AND ARE THE PROPERTY OF PLY GEM FENCE & RAILING © MAR 2019.

P500

Sheet 1 of 2
10-24-22

72" H x 73 1/2" W Classic Privacy

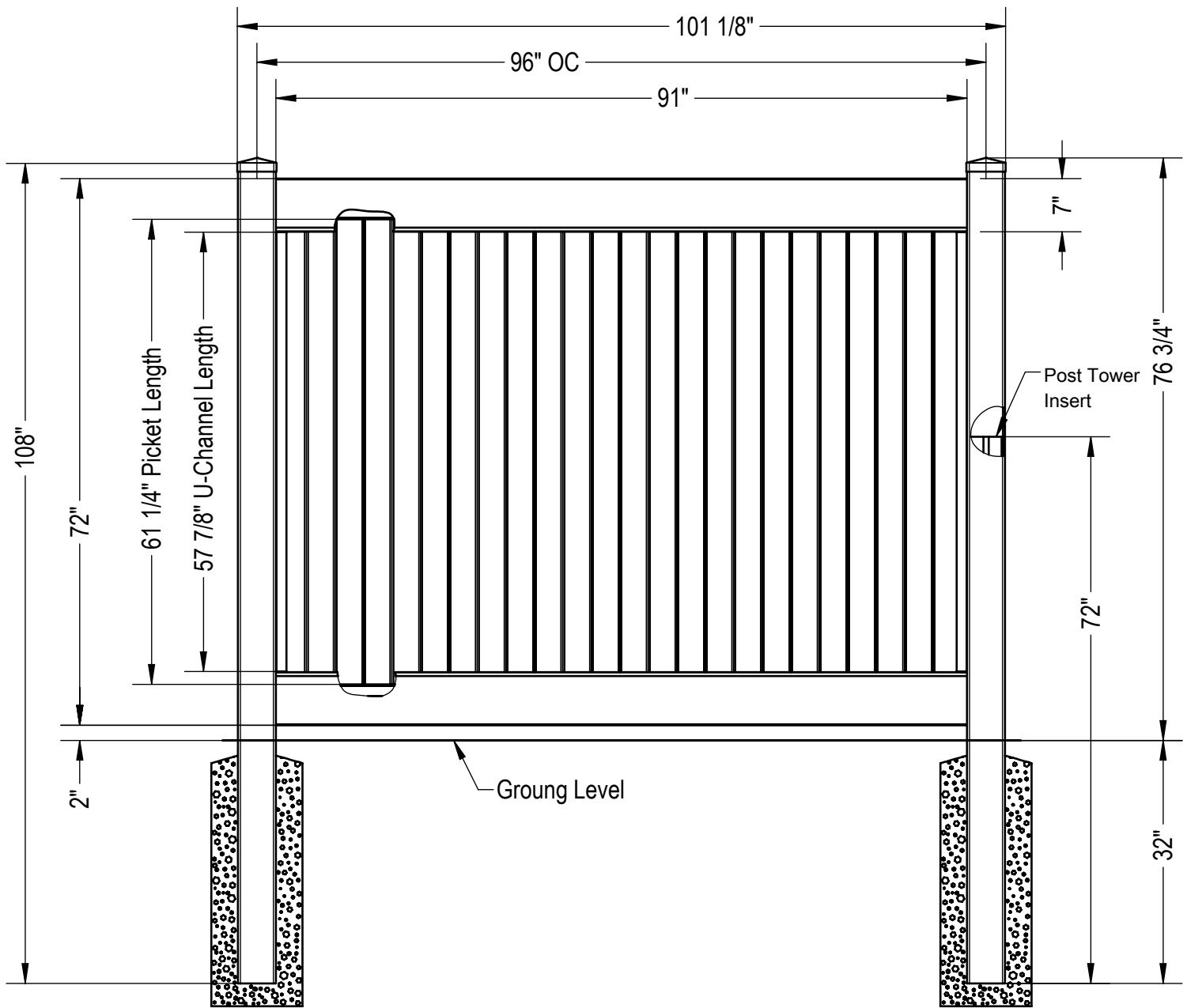
with 2 x 7 Rail & 7/8 x 11 1/4 Non-Locking T&G Pickets



**Aluminum insert required on Khaki and all Woodland Select colors.

72" H x 96" W Classic Privacy

with 2 x 7 Rail & 7/8 x 11 1/4 Non-Locking T&G Pickets



QTY	PART NUMBER	LENGTH
2	5 x 5 Post	108"
2	5 x 5 Post Tower Insert	72"
2	2 x 7 Slotted Rail	94.5
8	7/8 x 11 1/4" Non-Locking T&G	61 1/4"
2	7/8 U-Channel	57 7/8"
6	#10 x 3/4" Screw	
2	5 x 5 External Long Cap	
	Insert for Khaki and WC colors	
1	2 x 7 H-Channel Insert	94 1/2"

THIS DRAWING WAS MADE AND INTENDED FOR USE AS A GUIDE ONLY. ANY PRODUCT SUBSTITUTION OR VARIANCE MAY COMPROMISE THE STRUCTURE, DESIGN AND PERFORMANCE OF THE PRODUCT. NO WARRANTY IS EXPRESSED OR IMPLIED BY THIS DRAWING AND PLY GEM FENCE & RAIL.

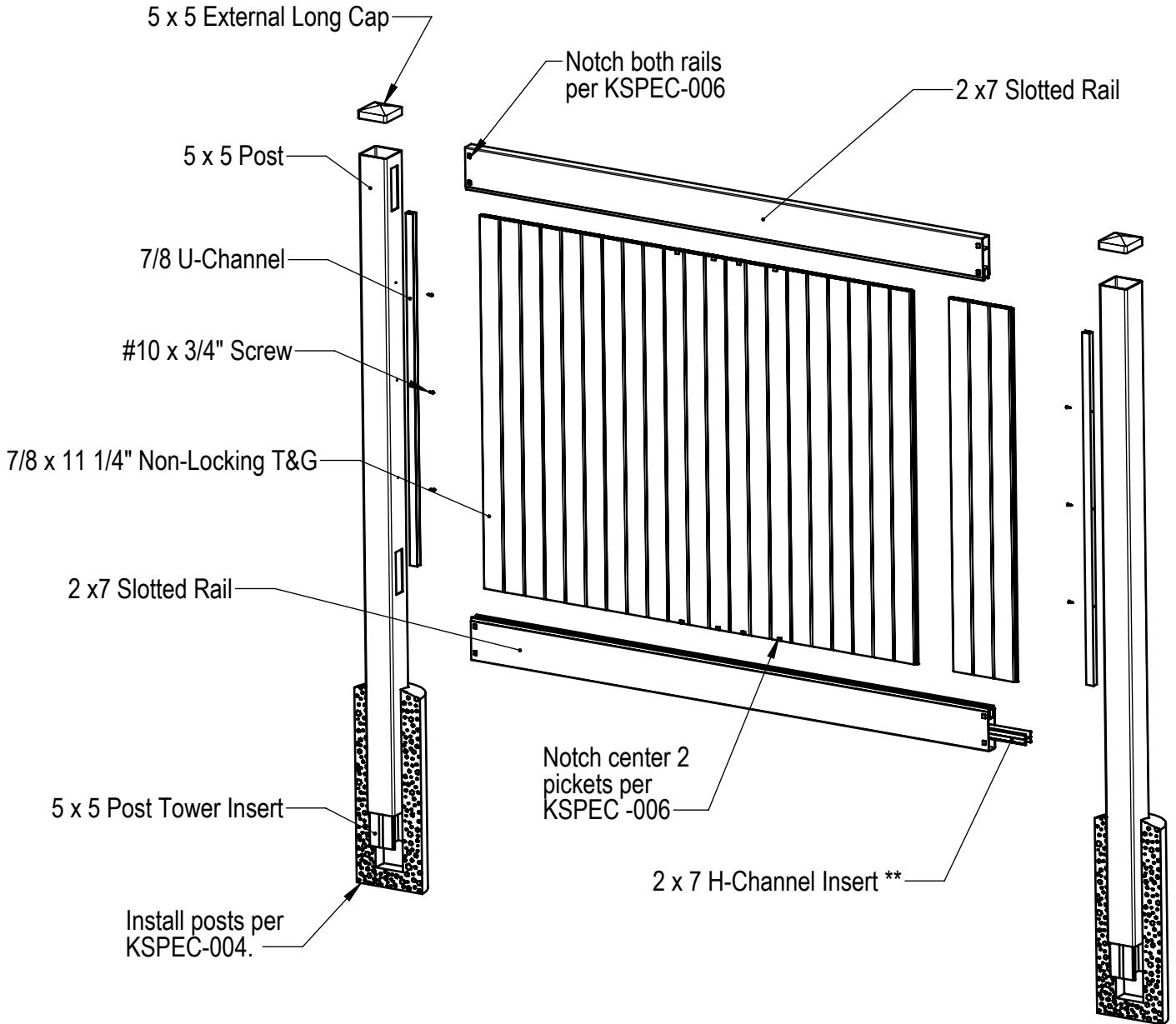
453
DRAWINGS ARE CONFIDENTIAL AND ARE THE PROPERTY OF PLY GEM FENCE & RAILING © MAR 2019.

P501

Sheet 1 of 2
10-25-22

72" H x 96" W Classic Privacy

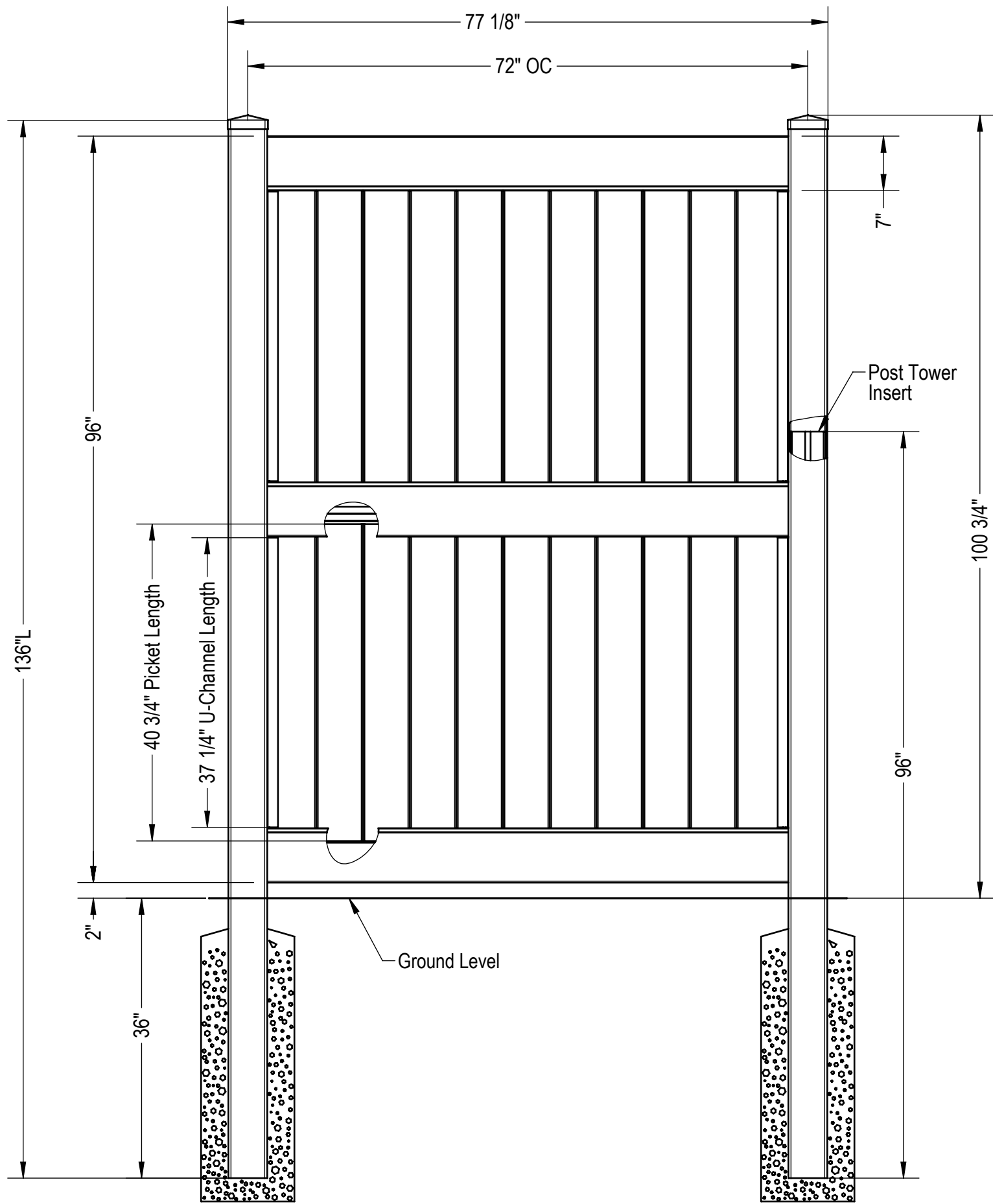
with 2 x 7 Rail & 7/8 x 11 1/4 Non-Locking T&G Pickets



****Aluminum insert required on Khaki and all Woodland Select colors.**

96" H x 72" W Classic Privacy

with 2 x 7 Rail & 7/8 x 5 Non-Locking T&G Picket



QTY	PART NUMBER	LENGTH
2	5 x 5 Post	136"
2	5 x 5 Post Tower Insert	96"
2	2 x 7 Slotted Rail	70 1/2"
1	2 x 7 Slotted Rail (Middle)	70 1/2"
22	7/8 x 6 Non-Locking T&G	40 3/4"
4	7/8 U-Channel	37 1/4"
2	5 x 5 External Long Cap	
4	#10 x 3/4" Screw	
	Insert for Khaki and WS colors	
2	2 x 7 H-Channel Insert	70 1/2"

Dynamic wind load tested
 Report # H0431.01-119-19-R1
 Tested as KS2135

THIS DRAWING WAS MADE AND INTENDED FOR USE AS A GUIDE ONLY. ANY PRODUCT SUBSTITUTION OR VARIANCE MAY COMPROMISE THE STRUCTURE, DESIGN AND PERFORMANCE OF THE PRODUCT. NO WARRANTY IS EXPRESSED OR IMPLIED BY THIS DRAWING AND PLY GEM FENCE & RAIL.

DRAWINGS ARE CONFIDENTIAL AND ARE THE PROPERTY OF PLY GEM FENCE & RAILING © MAR 2019.

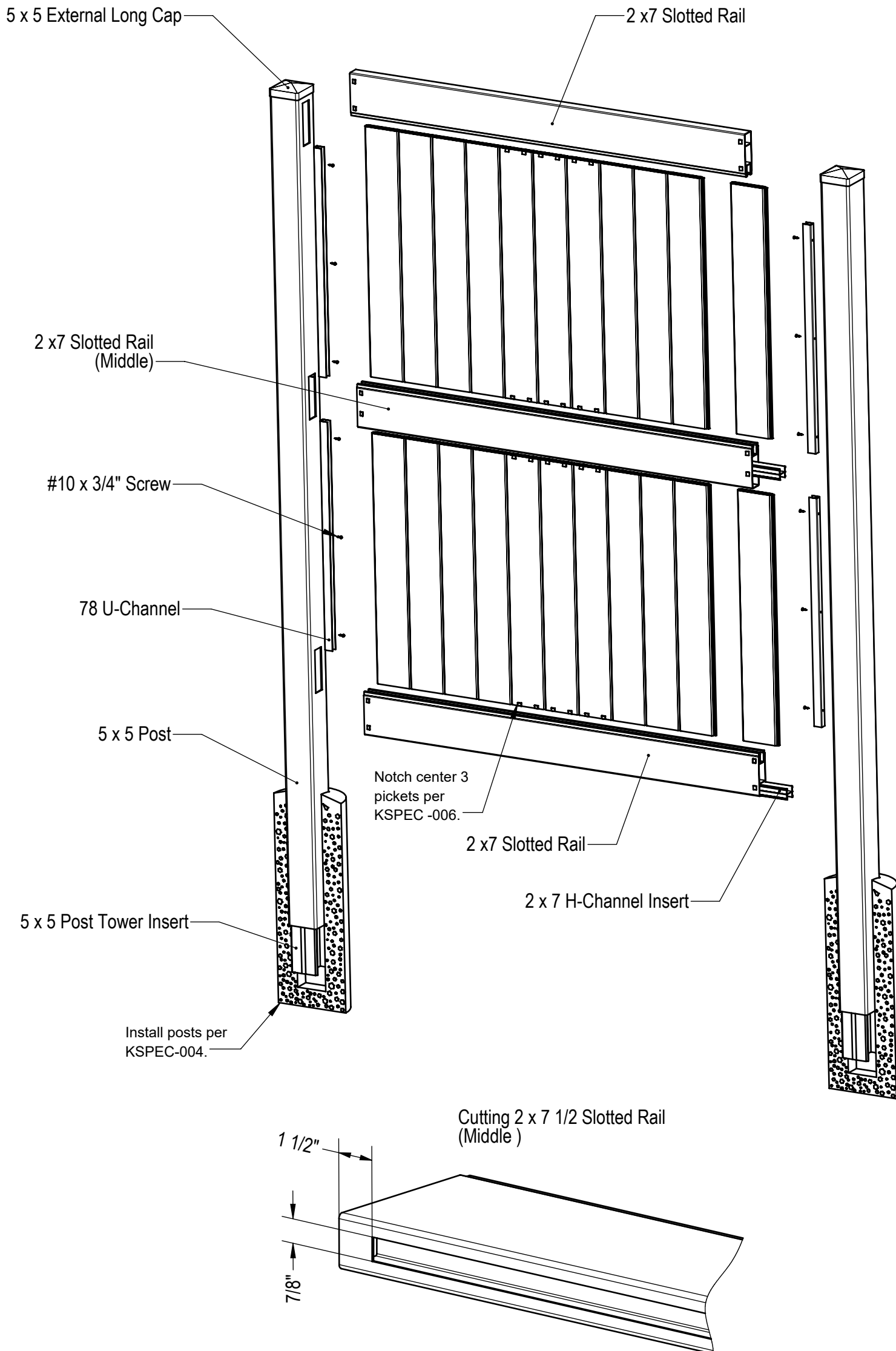
P502

Sheet 1 of 2

10-25-22

96" H x 72" W Classic Privacy

with 2 x 7 Rail & 7/8 x 5 Non-Locking T&G Picket



****Aluminum insert required on Khaki and all Woodland Select colors.**

THIS DRAWING WAS MADE AND INTENDED FOR USE AS A GUIDE ONLY. ANY PRODUCT SUBSTITUTION OR VARIANCE MAY COMPROMISE THE STRUCTURE, DESIGN AND PERFORMANCE OF THE PRODUCT. NO WARRANTY IS EXPRESSED OR IMPLIED BY THIS DRAWING AND PLY GEM FENCE & RAIL.

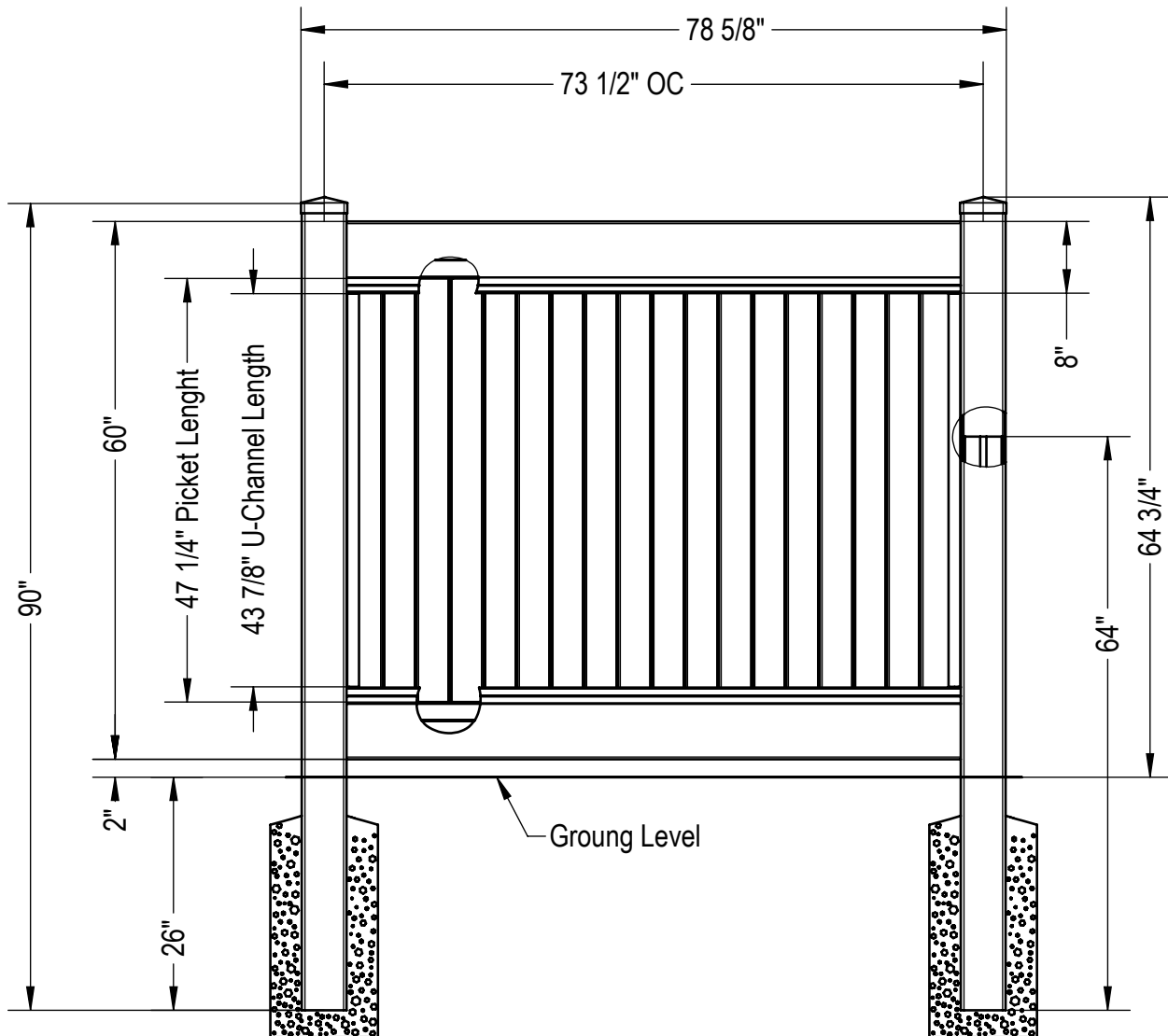
DRAWINGS ARE CONFIDENTIAL AND ARE THE PROPERTY OF PLY GEM FENCE & RAILING © MAR 2019.

P502

Sheet 2 of 2
10-25-22

60" H x 73 1/2" W Deco Privacy

with 1 3/4 x 8 Rail & 7/8 x 11 T&G Picket



QTY	PART NUMBER	LENGTH
2	5 x 5 Post	90"
2	5 x 5 Post Tower Insert	64"
2	1 3/4 x 8 Slotted Rail	72"
6	7/8 x 11 1/4" Picket	47 1/4"
2	7/8 U-Channel	43 7/8"
6	#10 x 3/4" Screw	
2	5 x 5 External Long Cap	
	Insert for Khaki and WS colors	
1	1 3/4 x 8 Slot. Insert	72"

THIS DRAWING WAS MADE AND INTENDED FOR USE AS A GUIDE ONLY. ANY PRODUCT SUBSTITUTION OR VARIANCE MAY COMPROMISE THE STRUCTURE, DESIGN AND PERFORMANCE OF THE PRODUCT. NO WARRANTY IS EXPRESSED OR IMPLIED BY THIS DRAWING AND PLY GEM FENCE & RAIL.

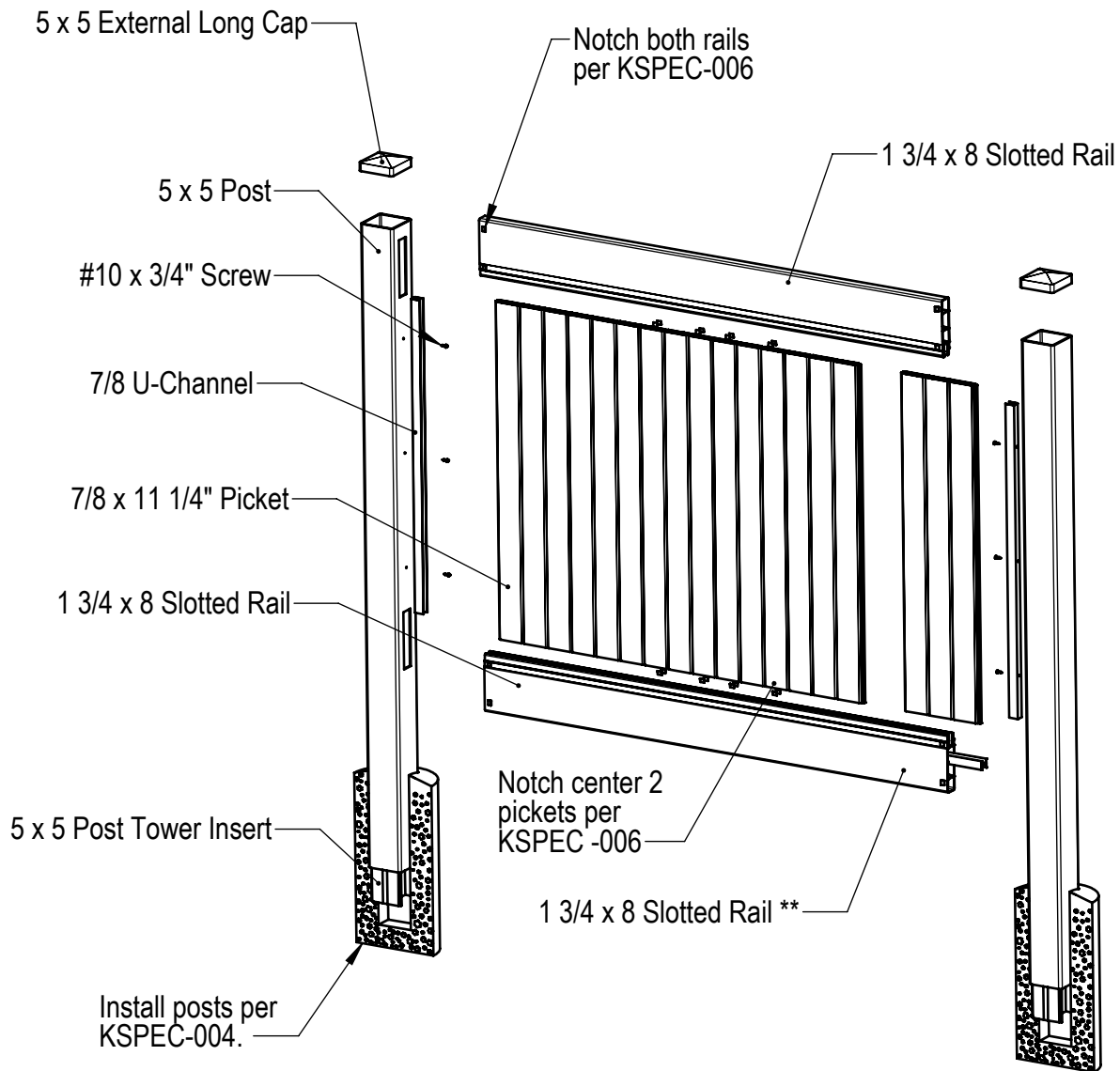
457
DRAWINGS ARE CONFIDENTIAL AND ARE THE PROPERTY OF PLY GEM FENCE & RAILING © MAR 2019.

P503

Sheet 1 of 2
10-22-22

60" H x 73 1/2" W Deco Privacy

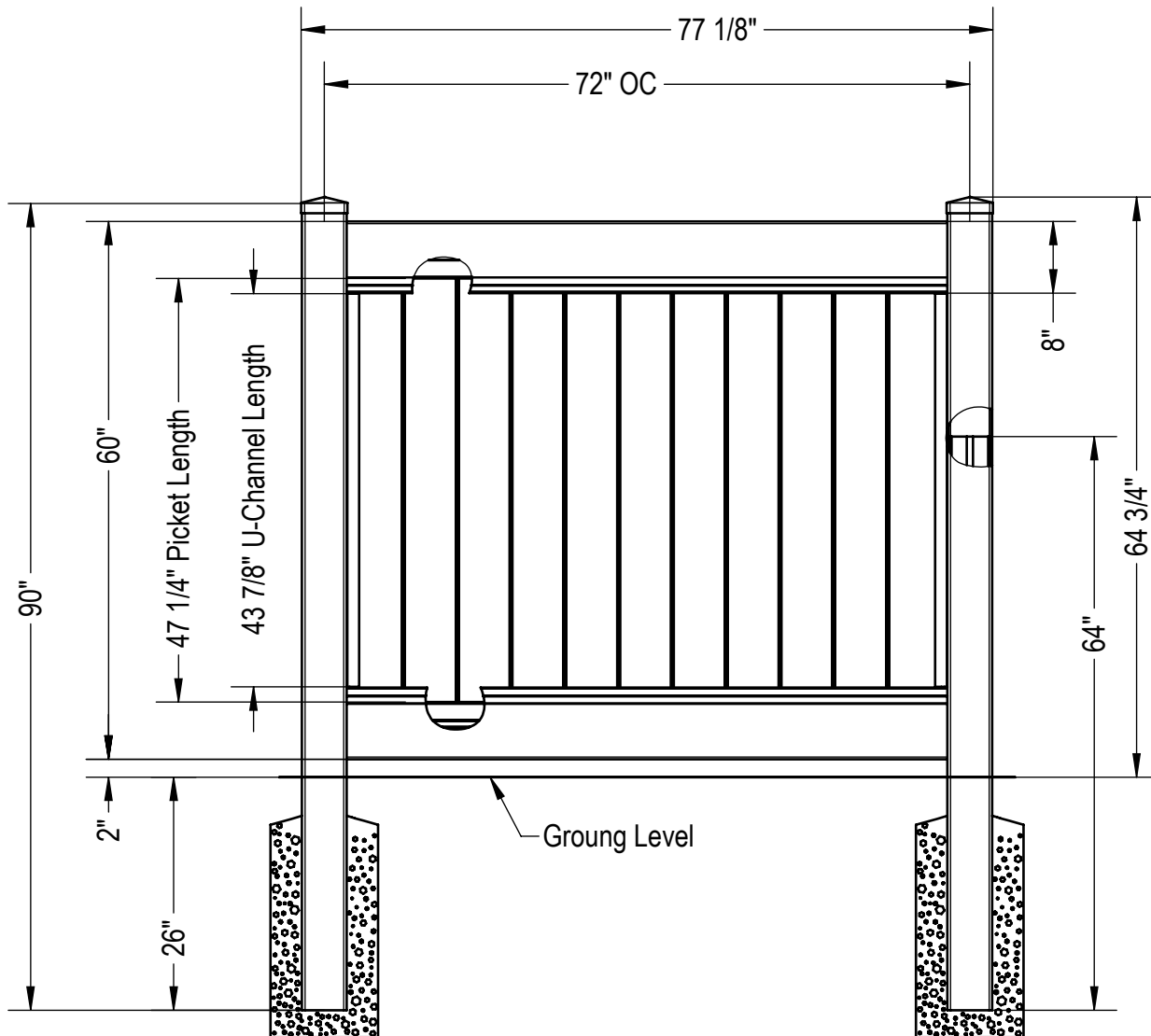
with 1 3/4 x 8 Rail & 7/8 x 11 T&G Picket



**Aluminum insert required on Khaki and all Woodland Select colors.

60" H x 72" W Deco Privacy

with 1 3/4 x 8 Rail & 7/8 x 6 T&G Picket



QTY	PART NUMBER	LENGTH
2	5 x 5 Post	90"
2	5 x 5 Post Tower Insert	64"
2	1 3/4 x 8 Slotted Rail	72"
11	7/8 x 6 T&G	47 1/4"
2	7/8 U-Channel	43 7/8"
6	#10 x 3/4" Screw	
2	5 x 5 External Long Cap	
	Insert for Khaki and WS colors	
1	1 1/2 x 5 1/2 Sltd Insert	70 1/2"

THIS DRAWING WAS MADE AND INTENDED FOR USE AS A GUIDE ONLY. ANY PRODUCT SUBSTITUTION OR VARIANCE MAY COMPROMISE THE STRUCTURE, DESIGN AND PERFORMANCE OF THE PRODUCT.

NO WARRANTY IS EXPRESSED OR IMPLIED BY THIS DRAWING AND PLY GEM FENCE & RAIL.

459
DRAWINGS ARE CONFIDENTIAL AND ARE THE PROPERTY OF PLY GEM FENCE & RAILING © MAR 2019.

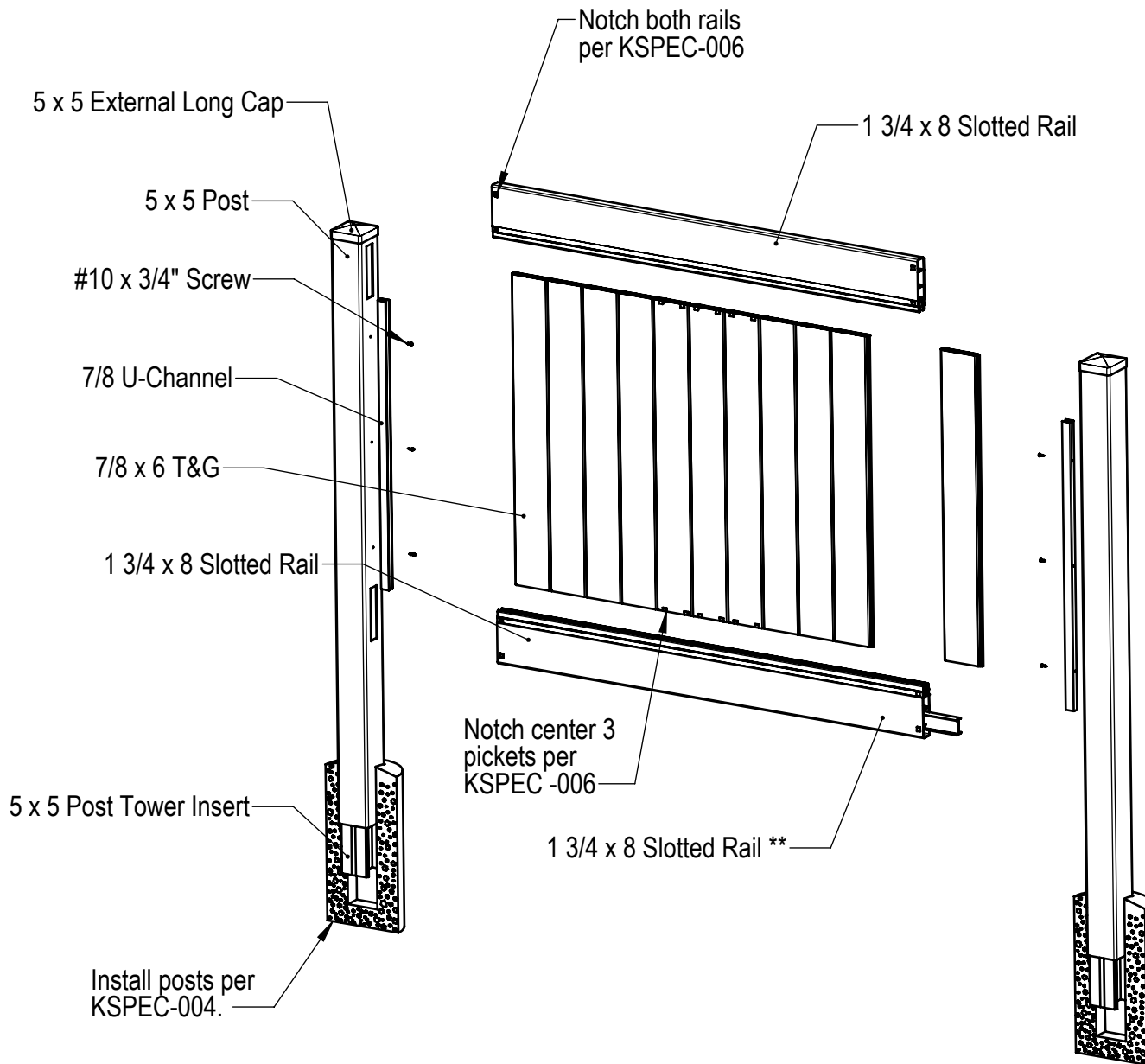
P504

Sheet 1 of 2

10-22-22

60" H x 72" W Deco Privacy

with 1 3/4 x 8 Rail & 7/8 x 6 T&G Picket



****Aluminum insert required on Khaki and all Woodland Select colors.**

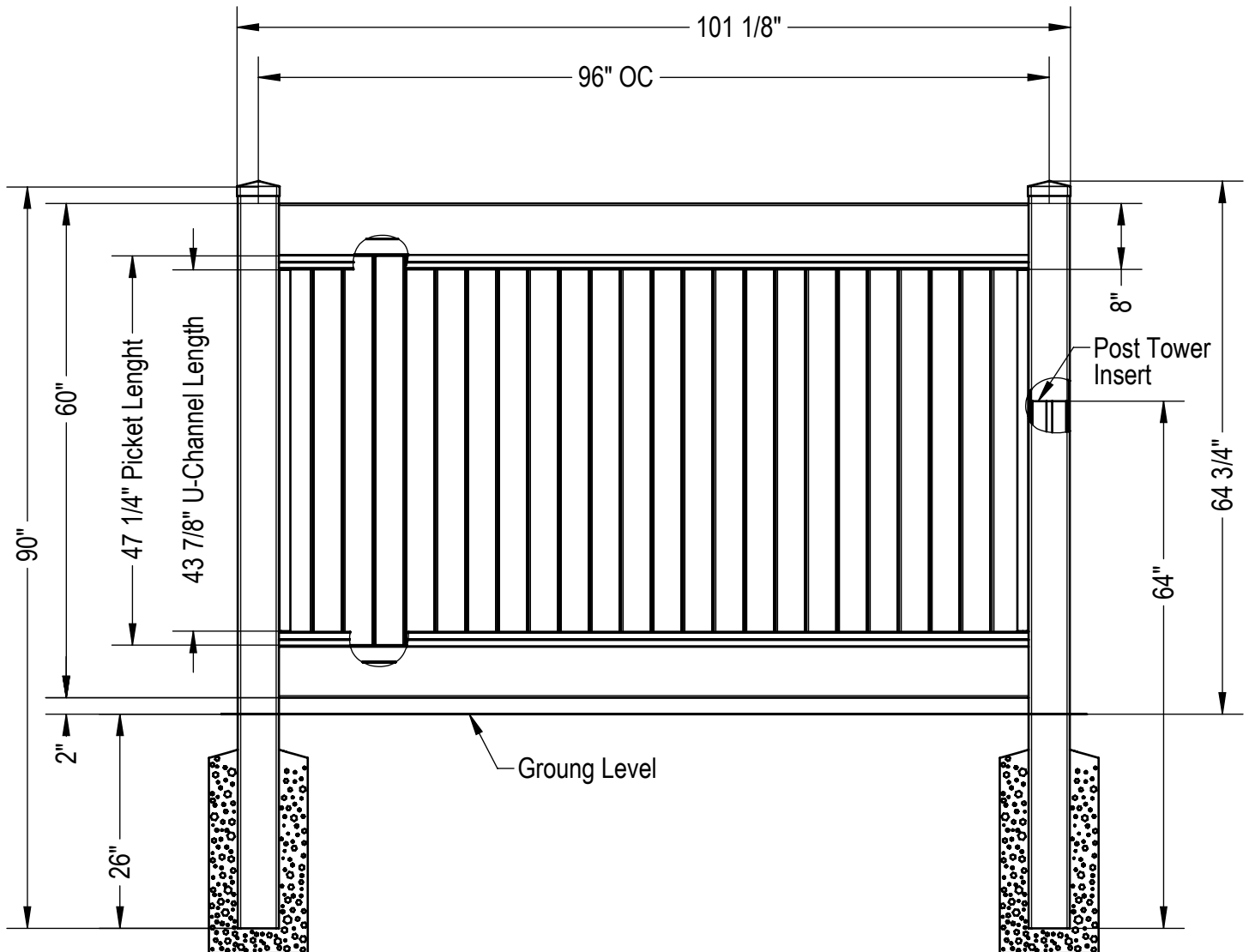
THIS DRAWING WAS MADE AND INTENDED FOR USE AS A GUIDE ONLY. ANY PRODUCT SUBSTITUTION OR VARIANCE MAY COMPROMISE THE STRUCTURE, DESIGN AND PERFORMANCE OF THE PRODUCT. NO WARRANTY IS EXPRESSED OR IMPLIED BY THIS DRAWING AND PLY GEM FENCE & RAIL.
460
 DRAWINGS ARE CONFIDENTIAL AND ARE THE PROPERTY OF PLY GEM FENCE & RAILING © MAR 2019.

P504

Sheet 2 of 2
 10-22-22

60" H x 96" W Deco Privacy

with 1 3/4 x 8 Rail & 7/8 x 11 T&G Picket



QTY	PART NUMBER	LENGTH
2	5 x 5 Post	90"
2	5 x 5 Post Tower Insert	64"
2	1 3/4 x 8 Slotted Rail	94 1/2"
8	7/8 x 11 1/4" Picket	47 1/4"
2	7/8 U-Channel	43 7/8"
6	#10 x 3/4" Screw	
2	5 x 5 External Long Cap	
	Insert for Khaki and WS colors	
1	1 3/4 x 8 Slot. Insert	94 1/2"

THIS DRAWING WAS MADE AND INTENDED FOR USE AS A GUIDE ONLY. ANY PRODUCT SUBSTITUTION OR VARIANCE MAY COMPROMISE THE STRUCTURE, DESIGN AND PERFORMANCE OF THE PRODUCT. NO WARRANTY IS EXPRESSED OR IMPLIED BY THIS DRAWING AND PLY GEM FENCE & RAIL.

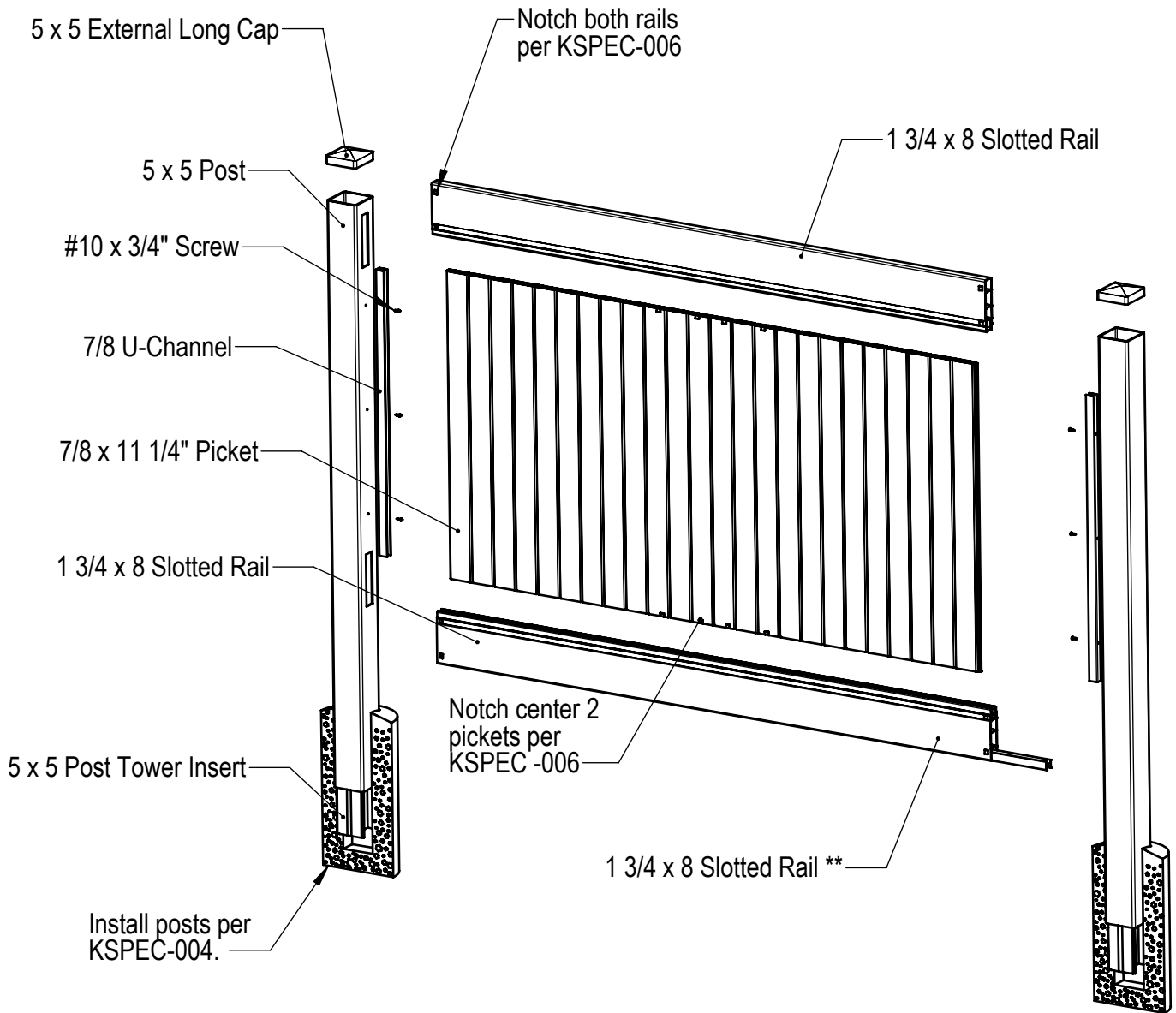
461
DRAWINGS ARE CONFIDENTIAL AND ARE THE PROPERTY OF PLY GEM FENCE & RAILING © MAR 2019.

P505

Sheet 1 of 2
10-22-22

60" H x 96" W Deco Privacy

with 1 3/4 x 8 Rail & 7/8 x 11 T&G Picket



**Aluminum insert required on Khaki and all Woodland Select colors.

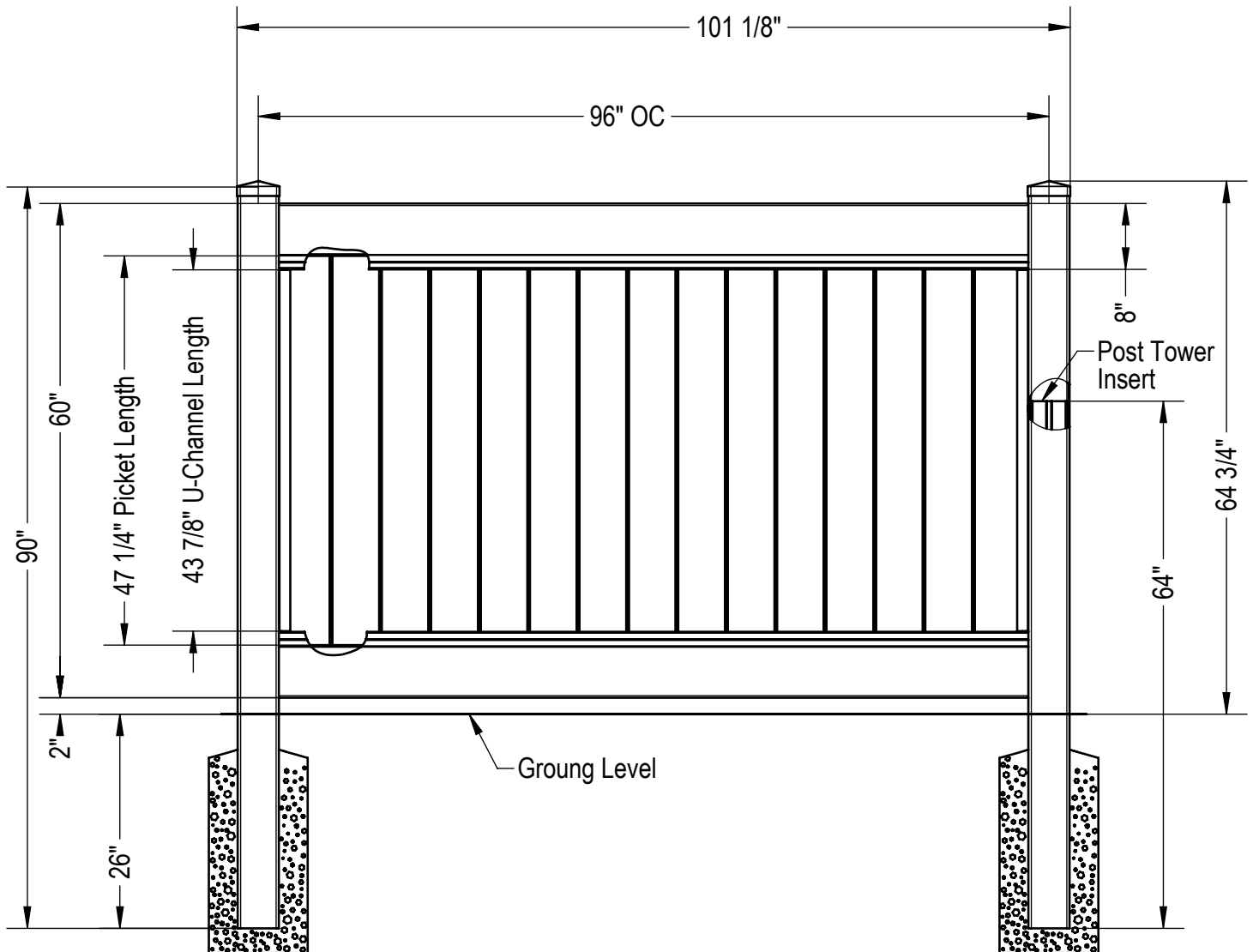
THIS DRAWING WAS MADE AND INTENDED FOR USE AS A GUIDE ONLY. ANY PRODUCT SUBSTITUTION OR VARIANCE MAY COMPROMISE THE STRUCTURE, DESIGN AND PERFORMANCE OF THE PRODUCT. NO WARRANTY IS EXPRESSED OR IMPLIED BY THIS DRAWING AND PLY GEM FENCE & RAIL.
462
 DRAWINGS ARE CONFIDENTIAL AND ARE THE PROPERTY OF PLY GEM FENCE & RAILING © MAR 2019.

P505

Sheet 2 of 2
 10-22-22

60" H x 96" W Deco Privacy

with 1 3/4 x 8 Rail & 7/8 x 6 T&G Picket



QTY	PART NUMBER	LENGTH
2	5 x 5 Post	90"
2	5 x 5 Post Tower Insert	64"
2	1 3/4 x 8 Slotted Rail	94 1/2"
15	7/8 x 6 T&G	47 1/4"
2	7/8 U-Channel	43 7/8"
6	#10 x 3/4" Screw	
2	5 x 5 External Long Cap	
	Insert for Khaki and WS colors	
1	1 3/4 x 8 Slot. Insert	94 1/2"

THIS DRAWING WAS MADE AND INTENDED FOR USE AS A GUIDE ONLY. ANY PRODUCT SUBSTITUTION OR VARIANCE MAY COMPROMISE THE STRUCTURE, DESIGN AND PERFORMANCE OF THE PRODUCT.

NO WARRANTY IS EXPRESSED OR IMPLIED BY THIS DRAWING AND PLY GEM FENCE & RAIL.

463
DRAWINGS ARE CONFIDENTIAL AND ARE THE PROPERTY OF PLY GEM FENCE & RAILING © MAR 2019.

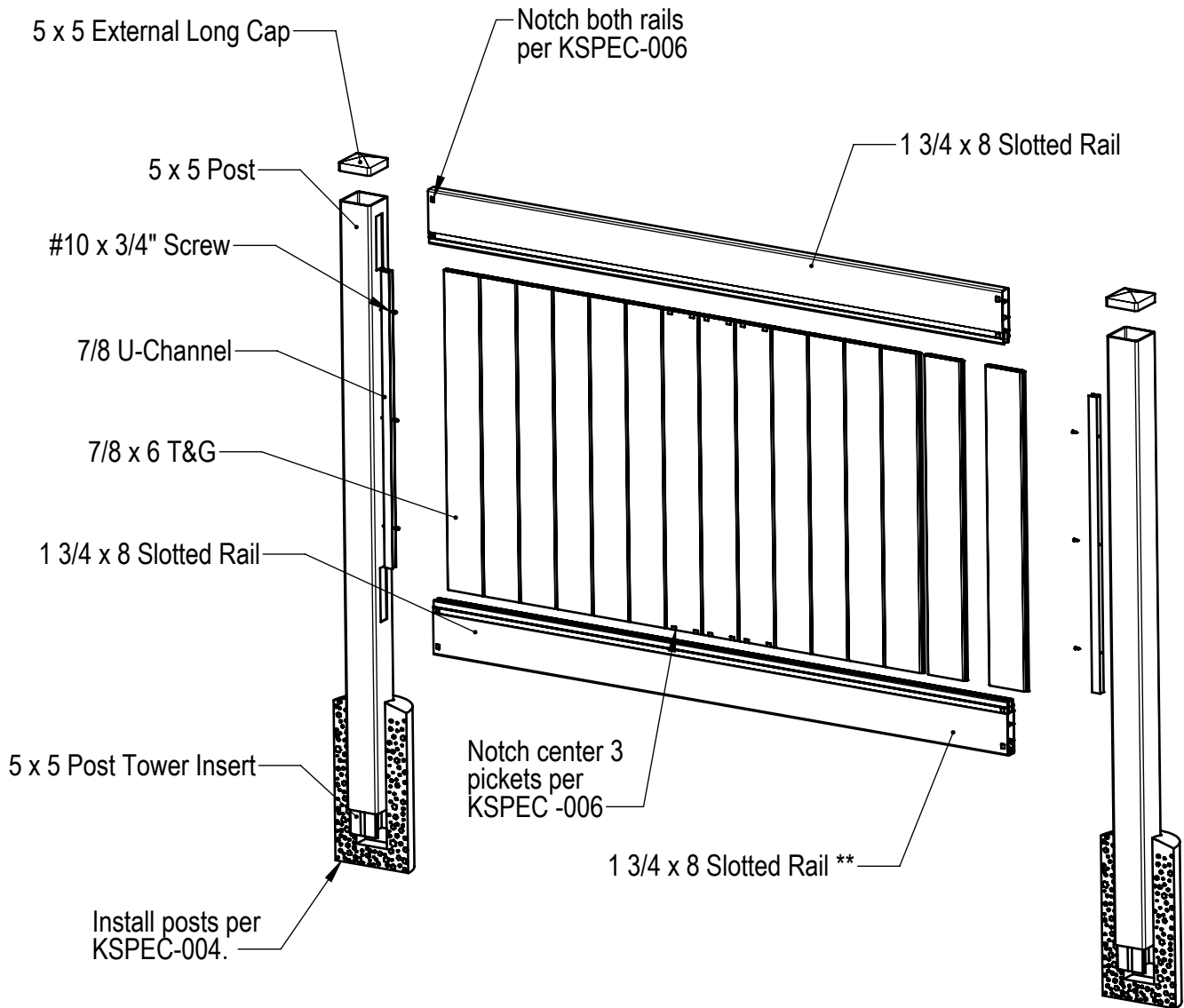
P506

Sheet 1 of 2

10-26-22

60" H x 96" W Deco Privacy

with 1 3/4 x 8 Rail & 7/8 x 6 T&G Picket



**Aluminum insert required on Khaki and all Woodland Select colors.

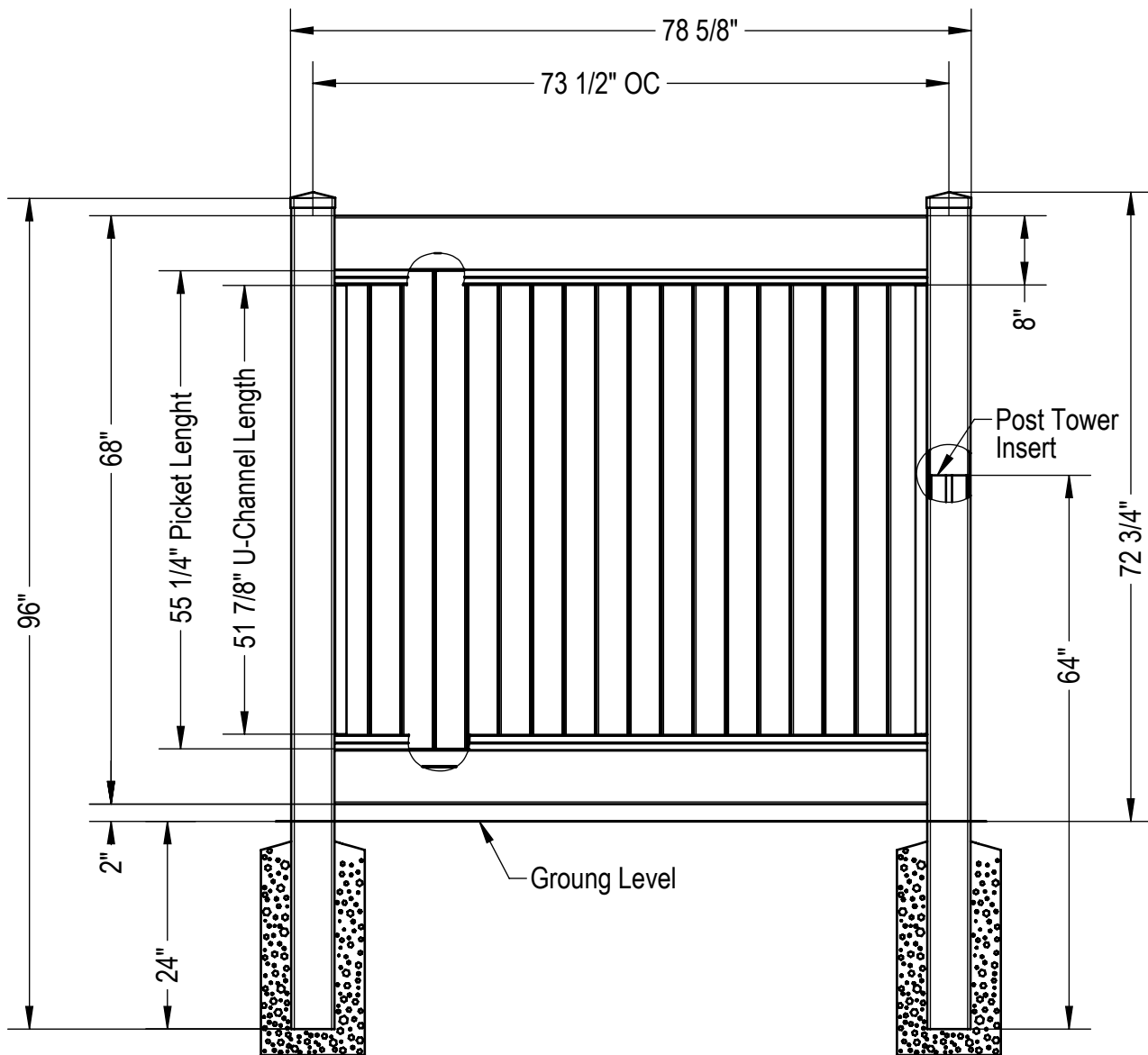
THIS DRAWING WAS MADE AND INTENDED FOR USE AS A GUIDE ONLY. ANY PRODUCT SUBSTITUTION OR VARIANCE MAY COMPROMISE THE STRUCTURE, DESIGN AND PERFORMANCE OF THE PRODUCT. NO WARRANTY IS EXPRESSED OR IMPLIED BY THIS DRAWING AND PLY GEM FENCE & RAIL.
464
 DRAWINGS ARE CONFIDENTIAL AND ARE THE PROPERTY OF PLY GEM FENCE & RAILING © MAR 2019.

P506

Sheet 2 of 2
 10-26-22

68" H x 73 1/2" W Deco Privacy

with 1 3/4 x 8 Rail & 7/8 x 11 T&G Picket



QTY	PART NUMBER	LENGTH
2	5 x 5 Post	96"
2	5 x 5 Post Tower Insert	64"
2	1 3/4 x 8 Slotted Rail	72"
6	7/8 x 11 1/4" Picket	55 1/4"
2	7/8 U-Channel	51 7/8"
6	#10 x 3/4" Screw	
2	5 x 5 External Long Cap	
	Insert for Khaki and WS colors	
1	1 3/4 x 8 Slot. Insert	72"

THIS DRAWING WAS MADE AND INTENDED FOR USE AS A GUIDE ONLY. ANY PRODUCT SUBSTITUTION OR VARIANCE MAY COMPROMISE THE STRUCTURE, DESIGN AND PERFORMANCE OF THE PRODUCT. NO WARRANTY IS EXPRESSED OR IMPLIED BY THIS DRAWING AND PLY GEM FENCE & RAIL.

465
DRAWINGS ARE CONFIDENTIAL AND ARE THE PROPERTY OF PLY GEM FENCE & RAILING © MAR 2019.

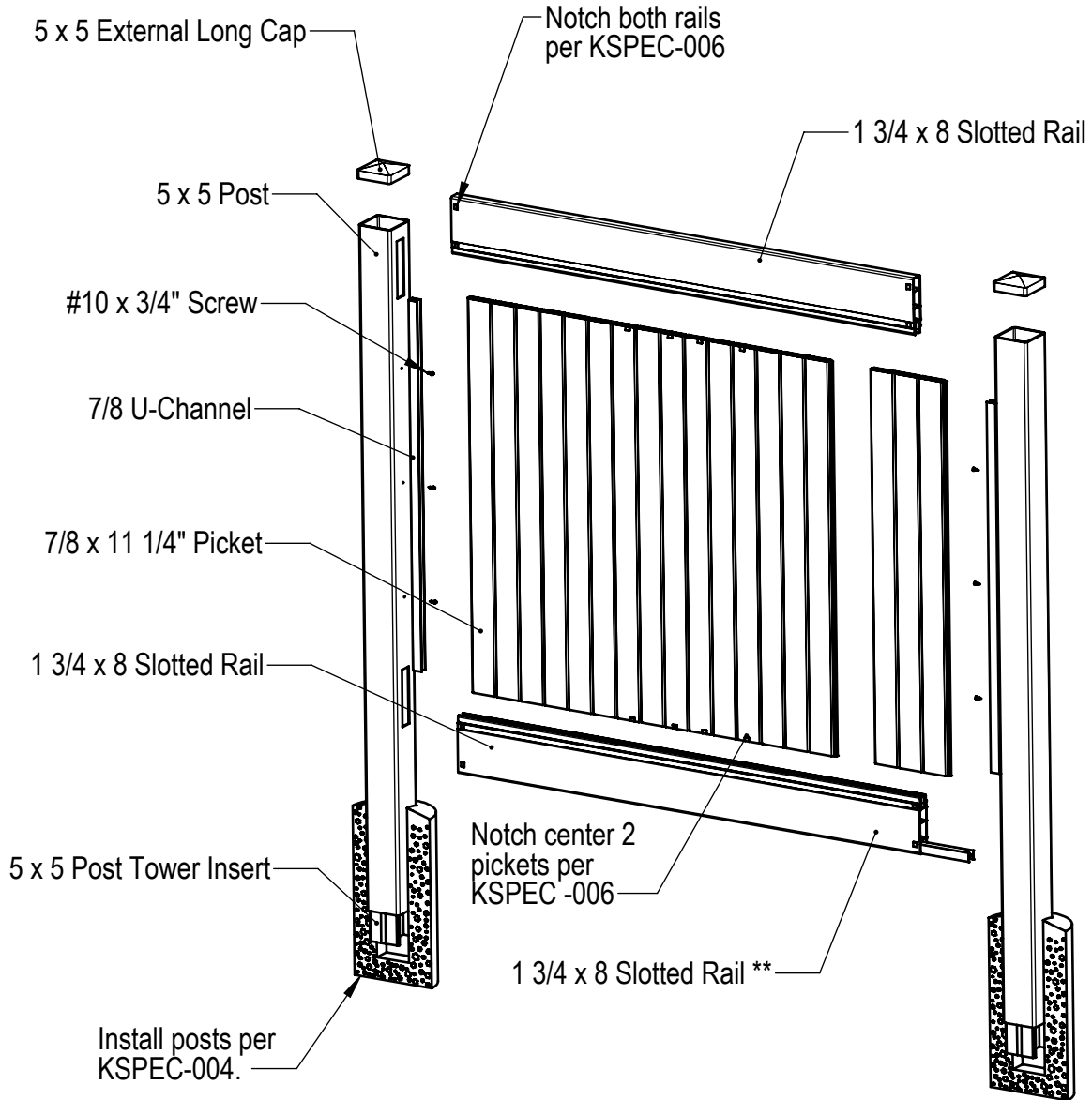
P507

Sheet 1 of 2

10-22-22

68" H x 73 1/2" W Deco Privacy

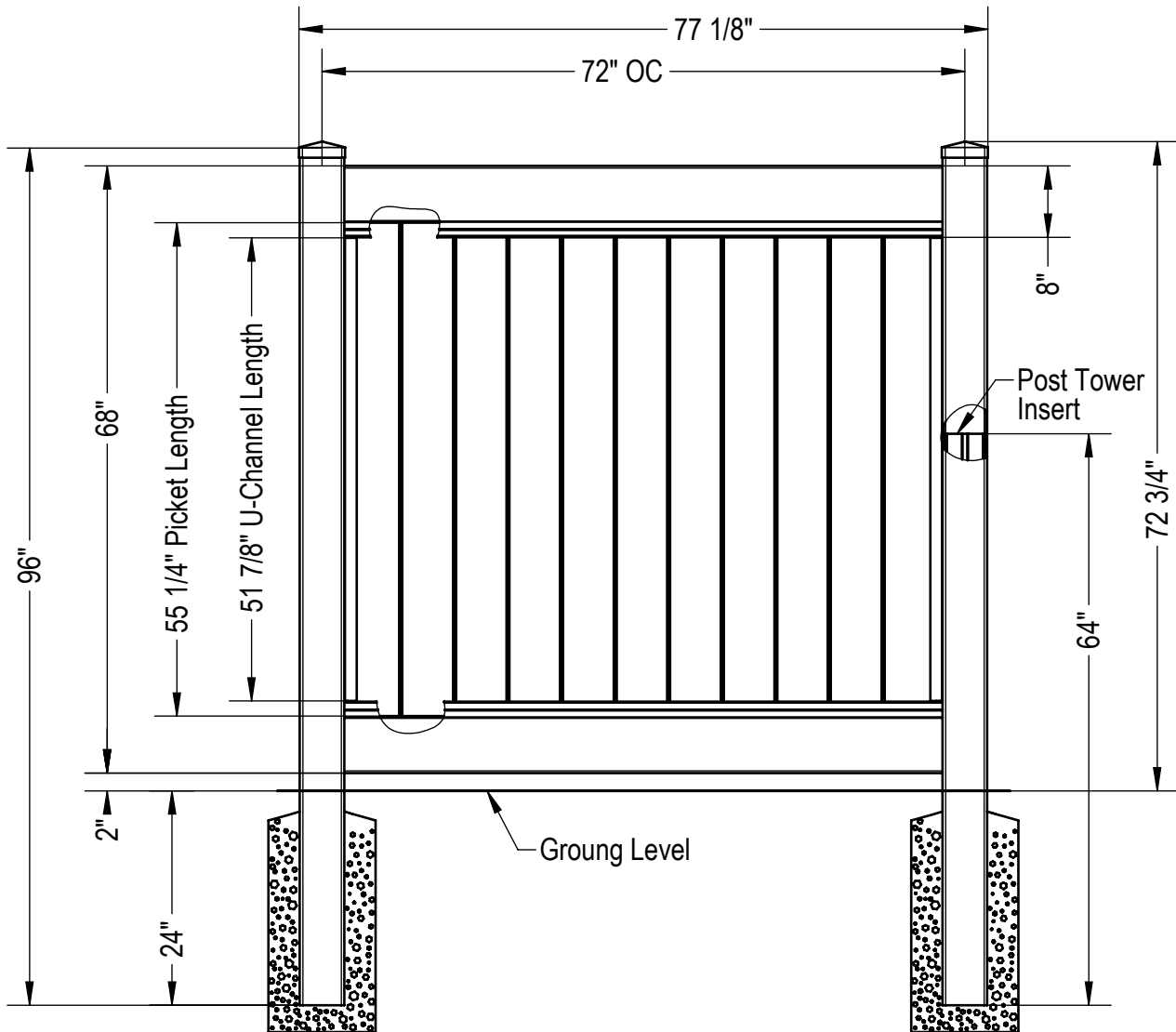
with 1 3/4 x 8 Rail & 7/8 x 11 T&G Picket



**Aluminum insert required on Khaki and all Woodland Select colors.

68" H x 72" W Deco Privacy

with 1 3/4 x 8 Rail & 7/8 x 6 T&G Picket



QTY	PART NUMBER	LENGTH
2	5 x 5 Post	96"
2	5 x 5 Post Tower Insert	64"
2	1 3/4 x 8 Slotted Rail	72"
11	7/8 x 6 T&G	55 1/4"
2	7/8 U-Channel	51 7/8"
6	#10 x 3/4" Screw	
2	5 x 5 External Long Cap	
	Insert for Khaki and WS colors	
1	1 3/4 x 8 Slot. Insert	72"

THIS DRAWING WAS MADE AND INTENDED FOR USE AS A GUIDE ONLY. ANY PRODUCT SUBSTITUTION OR VARIANCE MAY COMPROMISE THE STRUCTURE, DESIGN AND PERFORMANCE OF THE PRODUCT. NO WARRANTY IS EXPRESSED OR IMPLIED BY THIS DRAWING AND PLY GEM FENCE & RAIL.

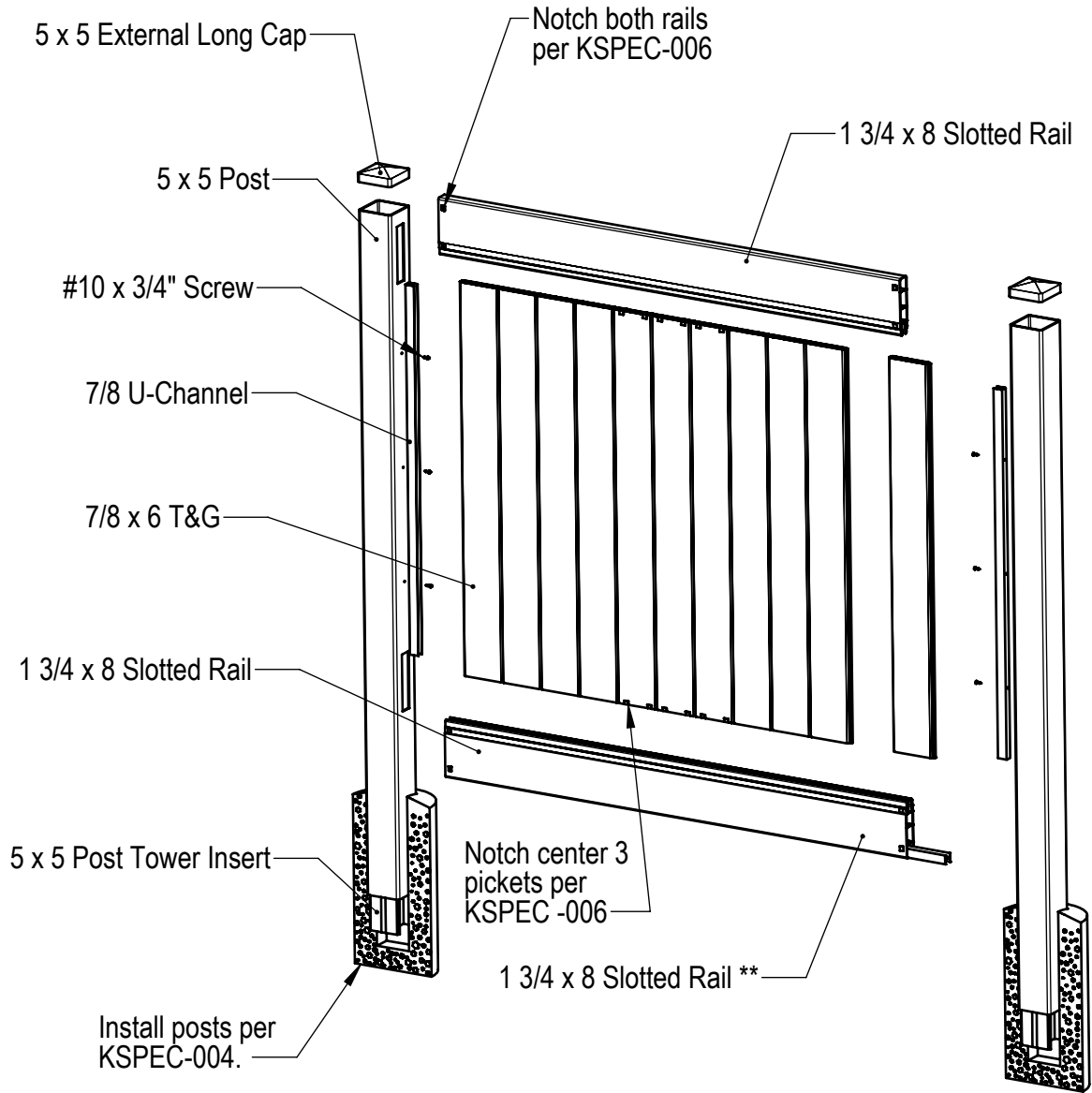
467
DRAWINGS ARE CONFIDENTIAL AND ARE THE PROPERTY OF PLY GEM FENCE & RAILING © MAR 2019.

P508

Sheet 1 of 2
10-26-22

68" H x 72" W Deco Privacy

with 1 3/4 x 8 Rail & 7/8 x 6 T&G Picket



**Aluminum insert required on Khaki and all Woodland Select colors.

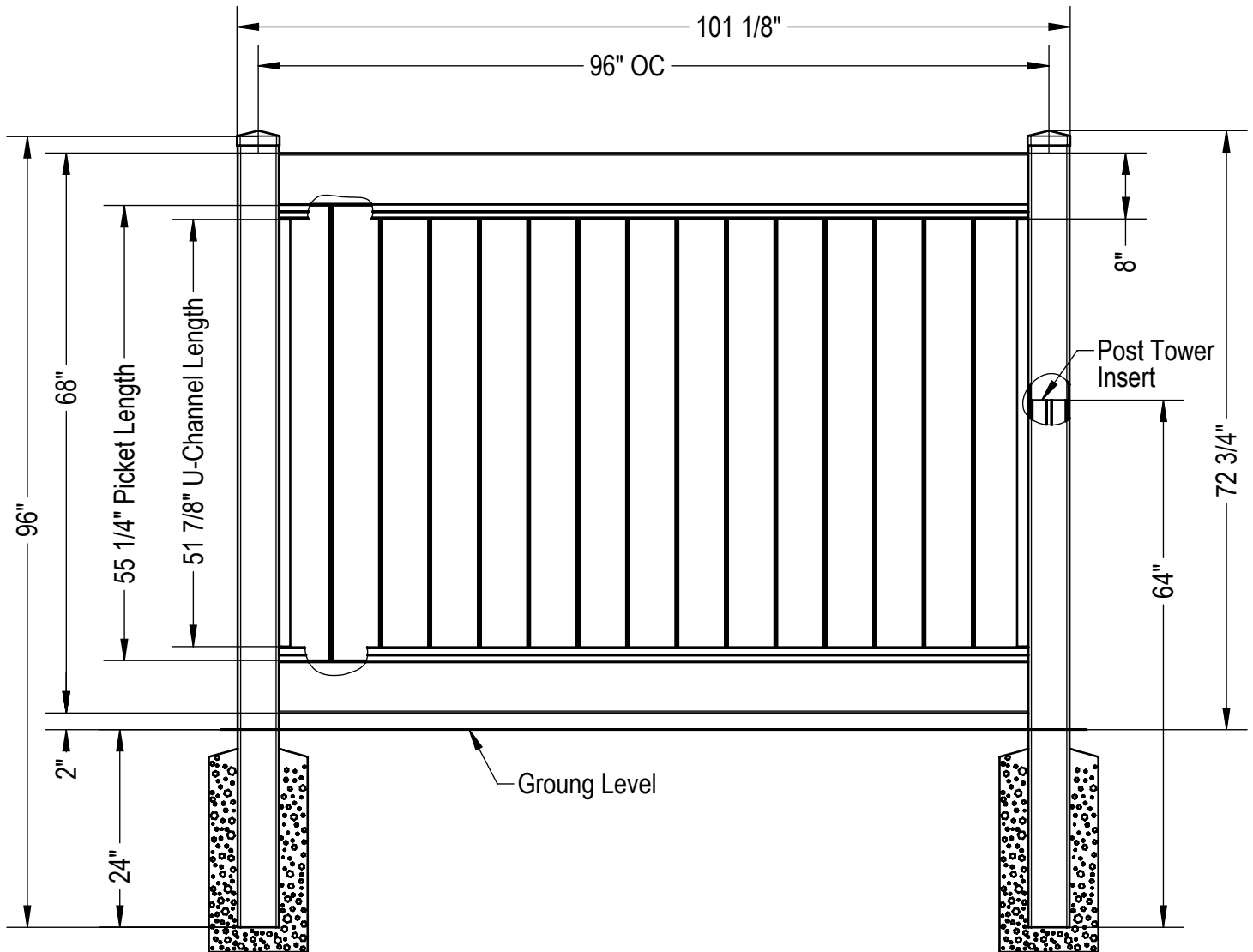
THIS DRAWING WAS MADE AND INTENDED FOR USE AS A GUIDE ONLY. ANY PRODUCT SUBSTITUTION OR VARIANCE MAY COMPROMISE THE STRUCTURE, DESIGN AND PERFORMANCE OF THE PRODUCT. NO WARRANTY IS EXPRESSED OR IMPLIED BY THIS DRAWING AND PLY GEM FENCE & RAIL.
468
 DRAWINGS ARE CONFIDENTIAL AND ARE THE PROPERTY OF PLY GEM FENCE & RAILING © MAR 2019.

P508

Sheet 2 of 2
 10-26-22

68" H x 96" W Deco Privacy

with 1 3/4 x 8 Rail & 7/8 x 6 T&G Picket



QTY	PART NUMBER	LENGTH
2	5 x 5 Post	96"
2	5 x 5 Post Tower Insert	64"
2	1 3/4 x 8 Slotted Rail	94 1/2"
15	7/8 x 6 T&G	55 1/4"
2	7/8 U-Channel	51 7/8"
6	#10 x 3/4" Screw	
2	5 x 5 External Long Cap	
	Insert for Khaki and WS colors	
1	1 3/4 x 8 Slot. Insert	94 1/2"

THIS DRAWING WAS MADE AND INTENDED FOR USE AS A GUIDE ONLY. ANY PRODUCT SUBSTITUTION OR VARIANCE MAY COMPROMISE THE STRUCTURE, DESIGN AND PERFORMANCE OF THE PRODUCT.

NO WARRANTY IS EXPRESSED OR IMPLIED BY THIS DRAWING AND PLY GEM FENCE & RAIL.

469
DRAWINGS ARE CONFIDENTIAL AND ARE THE PROPERTY OF PLY GEM FENCE & RAILING © MAR 2019.

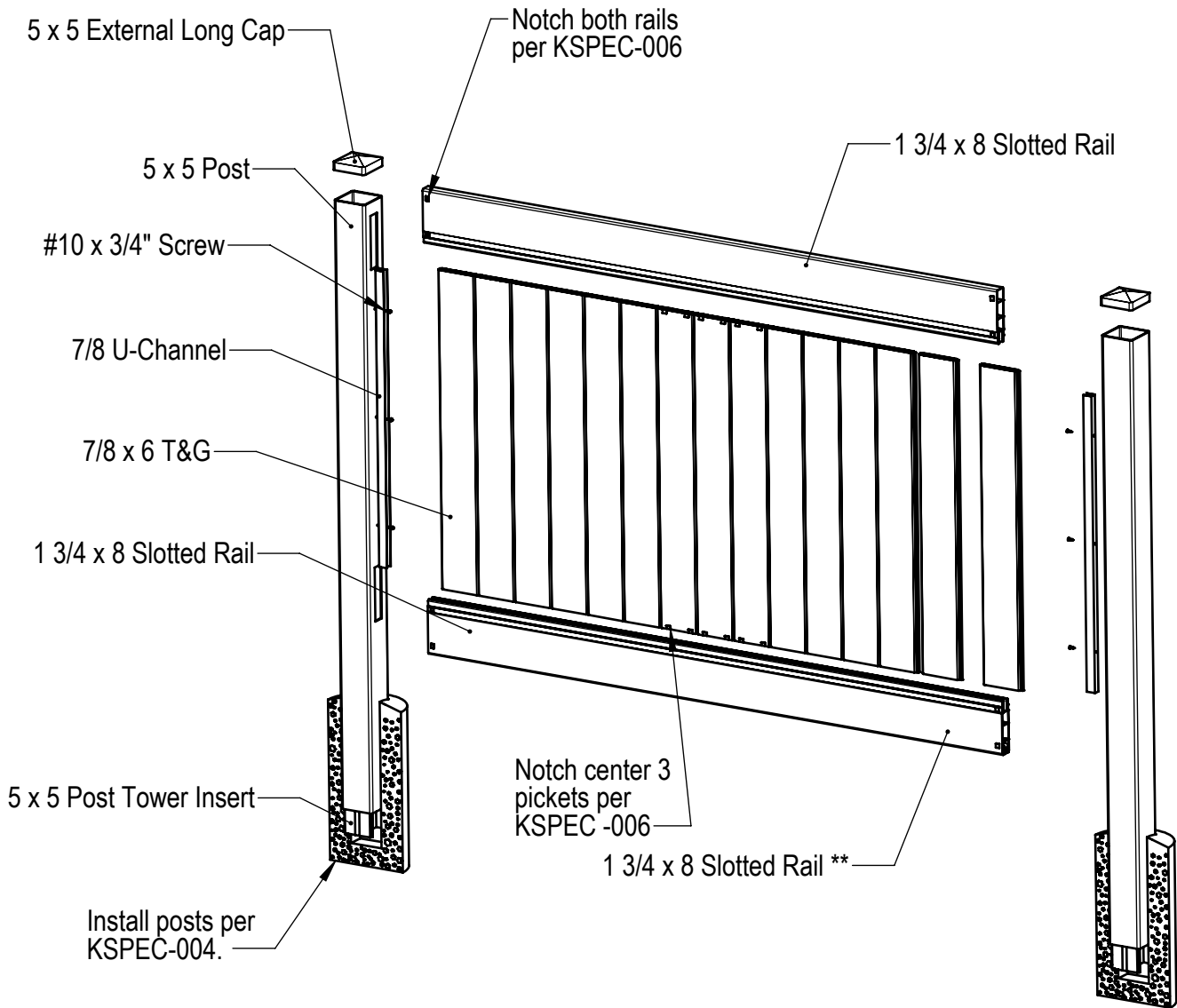
P509

Sheet 1 of 2

10-26-22

68" H x 96" W Deco Privacy

with 1 3/4 x 8 Rail & 7/8 x 6 T&G Picket



****Aluminum insert required on Khaki and all Woodland Select colors.**

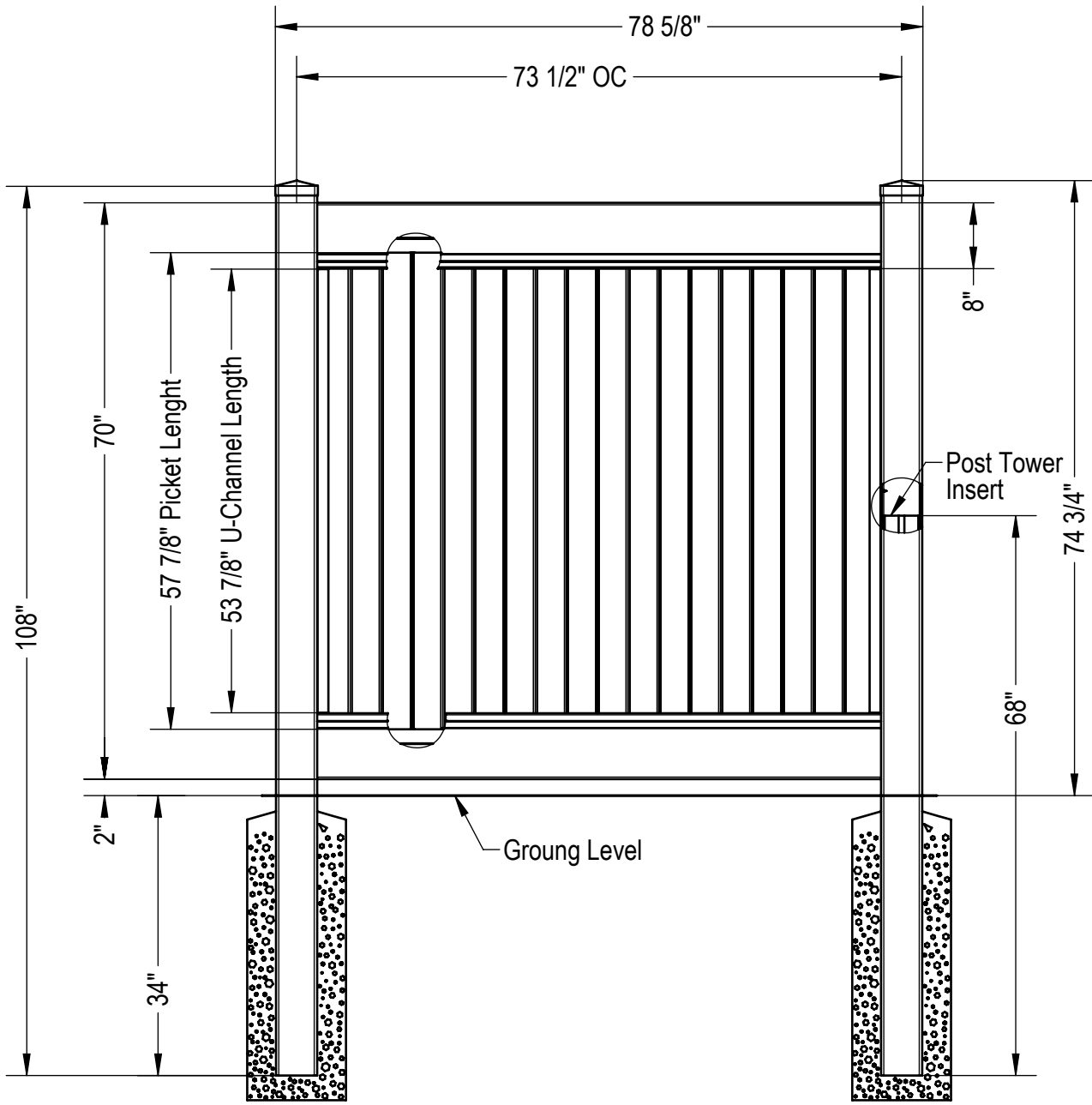
THIS DRAWING WAS MADE AND INTENDED FOR USE AS A GUIDE ONLY. ANY PRODUCT SUBSTITUTION OR VARIANCE MAY COMPROMISE THE STRUCTURE, DESIGN AND PERFORMANCE OF THE PRODUCT. NO WARRANTY IS EXPRESSED OR IMPLIED BY THIS DRAWING AND PLY GEM FENCE & RAIL.
470
 DRAWINGS ARE CONFIDENTIAL AND ARE THE PROPERTY OF PLY GEM FENCE & RAILING © MAR 2019.

P509

Sheet 2 of 2
 10-26-22

70" H x 73 1/2" W Deco Privacy

with 1 3/4 x 8 Rail & 7/8 x 11 T&G Picket



QTY	PART NUMBER	LENGTH
2	5 x 5 Post	108"
1	5 x 5 Post Tower Insert	64"
2	1 3/4 x 8 Slotted Rail	72"
6	7/8 x 11 1/4" Picket	57 7/8"
2	7/8 U-Channel	53 7/8"
6	#10 x 3/4" Screw	
2	5 x 5 External Long Cap	
	Insert for Khaki and WS colors	
1	1 3/4 x 8 Slot. Insert	72"
1	5 x 5 Post Tower Insert	72"

THIS DRAWING WAS MADE AND INTENDED FOR USE AS A GUIDE ONLY. ANY PRODUCT SUBSTITUTION OR VARIANCE MAY COMPROMISE THE STRUCTURE, DESIGN AND PERFORMANCE OF THE PRODUCT. NO WARRANTY IS EXPRESSED OR IMPLIED BY THIS DRAWING AND PLY GEM FENCE & RAIL.

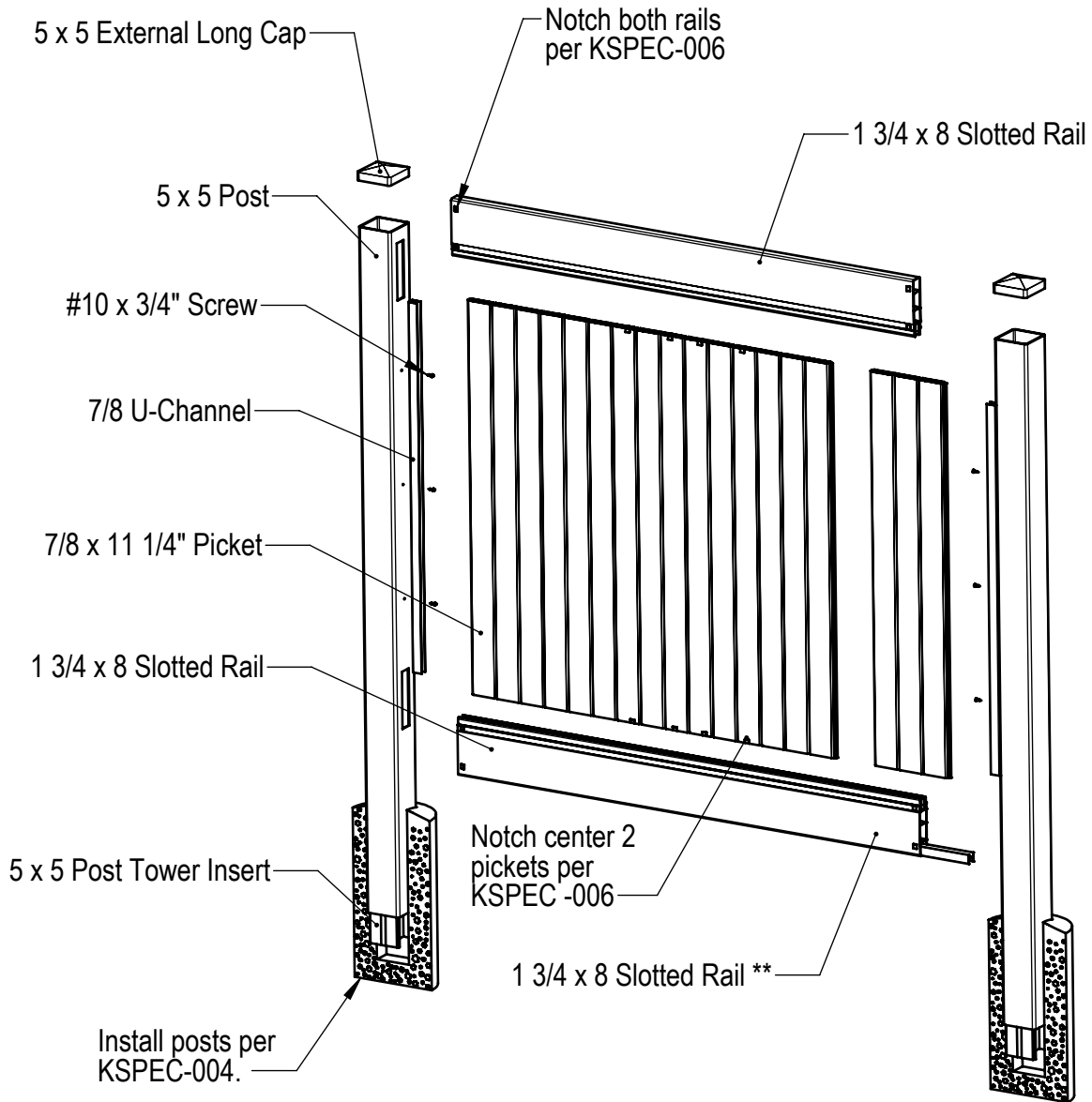
471 DRAWINGS ARE CONFIDENTIAL AND ARE THE PROPERTY OF PLY GEM FENCE & RAILING © MAR 2019.

P510

Sheet 1 of 2
10-22-22

70" H x 73 1/2" W Deco Privacy

with 1 3/4 x 8 Rail & 7/8 x 11 T&G Picket



**Aluminum insert required on Khaki and all Woodland Select colors.

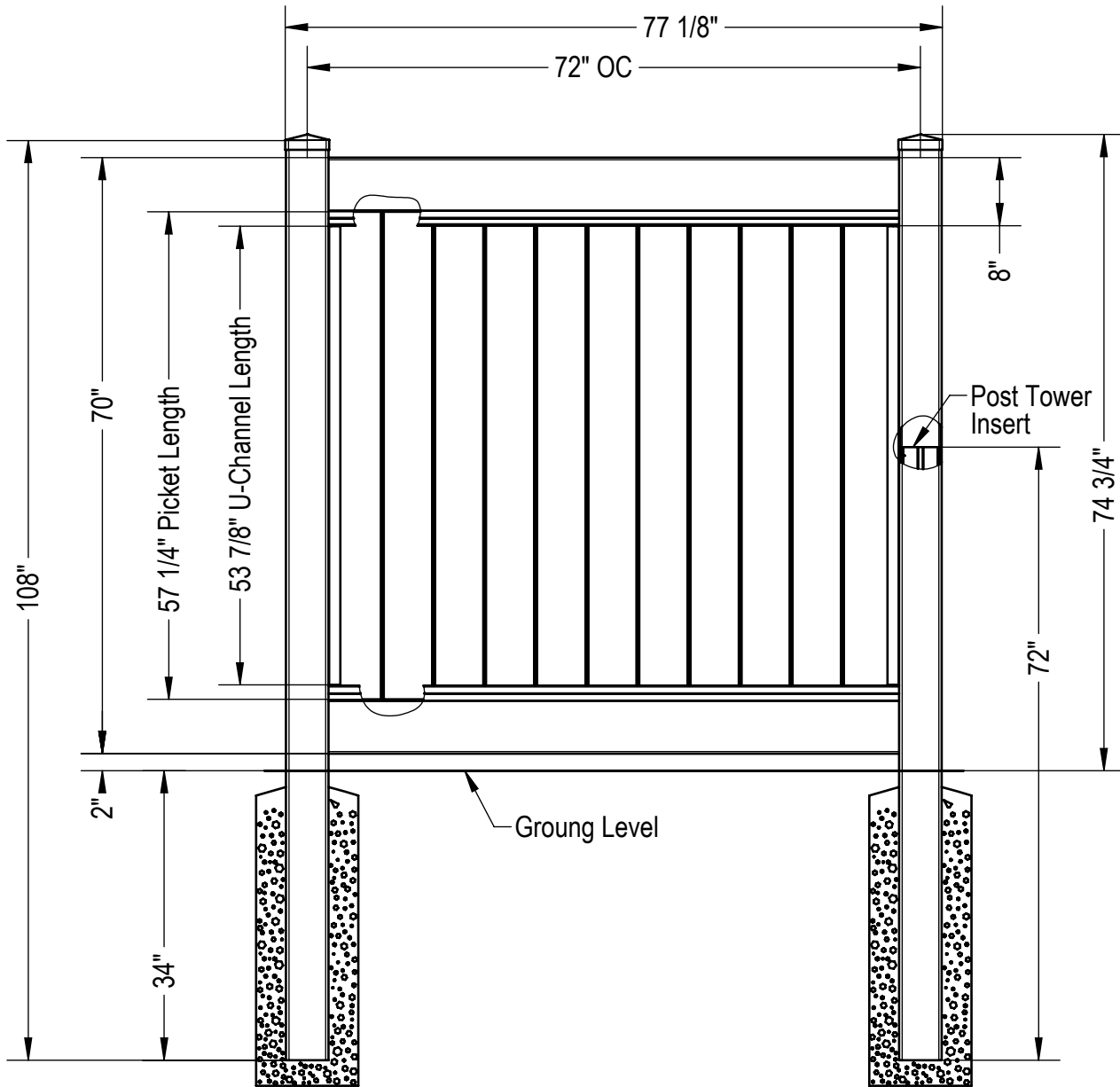
THIS DRAWING WAS MADE AND INTENDED FOR USE AS A GUIDE ONLY. ANY PRODUCT SUBSTITUTION OR VARIANCE MAY COMPROMISE THE STRUCTURE, DESIGN AND PERFORMANCE OF THE PRODUCT. NO WARRANTY IS EXPRESSED OR IMPLIED BY THIS DRAWING AND PLY GEM FENCE & RAIL.
472
 DRAWINGS ARE CONFIDENTIAL AND ARE THE PROPERTY OF PLY GEM FENCE & RAILING © MAR 2019.

P510

Sheet 2 of 2
 10-22-22

70" H x 72" W Deco Privacy

with 1 3/4 x 8 Rail & 7/8 x 6 T&G Picket



QTY	PART NUMBER	LENGTH
2	5 x 5 Post	108"
2	5 x 5 Post Tower Insert	72"
2	1 3/4 x 8 Slotted Rail	72"
11	7/8 x 6 T&G	57 1/4"
2	7/8 U-Channel	53 7/8"
6	#10 x 3/4" Screw	
2	5 x 5 External Long Cap	
	Insert for Khaki and WS colors	
1	1 3/4 x 8 Slot. Insert	72"

THIS DRAWING WAS MADE AND INTENDED FOR USE AS A GUIDE ONLY. ANY PRODUCT SUBSTITUTION OR VARIANCE MAY COMPROMISE THE STRUCTURE, DESIGN AND PERFORMANCE OF THE PRODUCT. NO WARRANTY IS EXPRESSED OR IMPLIED BY THIS DRAWING AND PLY GEM FENCE & RAIL.

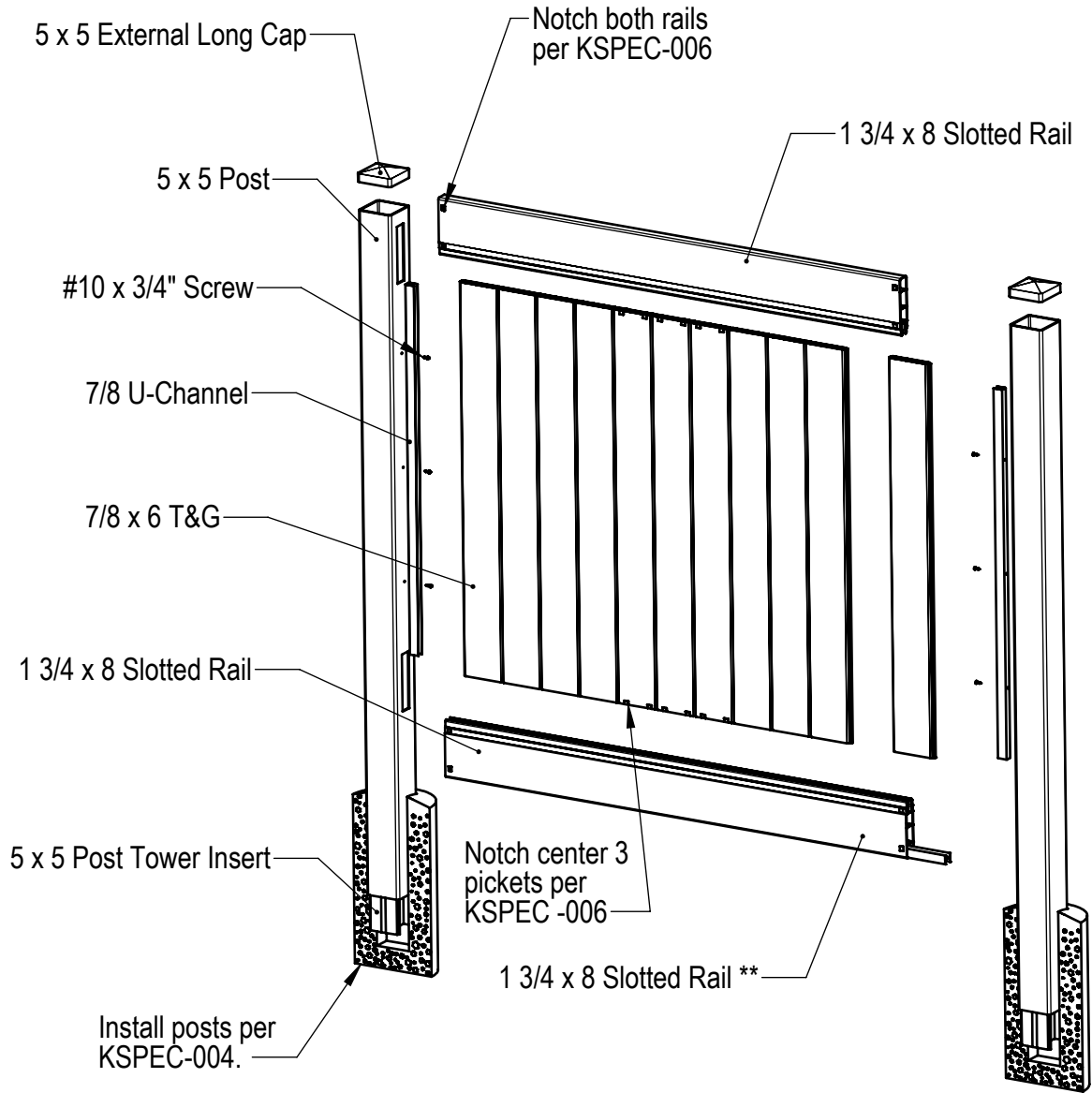
473
DRAWINGS ARE CONFIDENTIAL AND ARE THE PROPERTY OF PLY GEM FENCE & RAILING © MAR 2019.

P511

Sheet 1 of 2
10-27-22

70" H x 72" W Deco Privacy

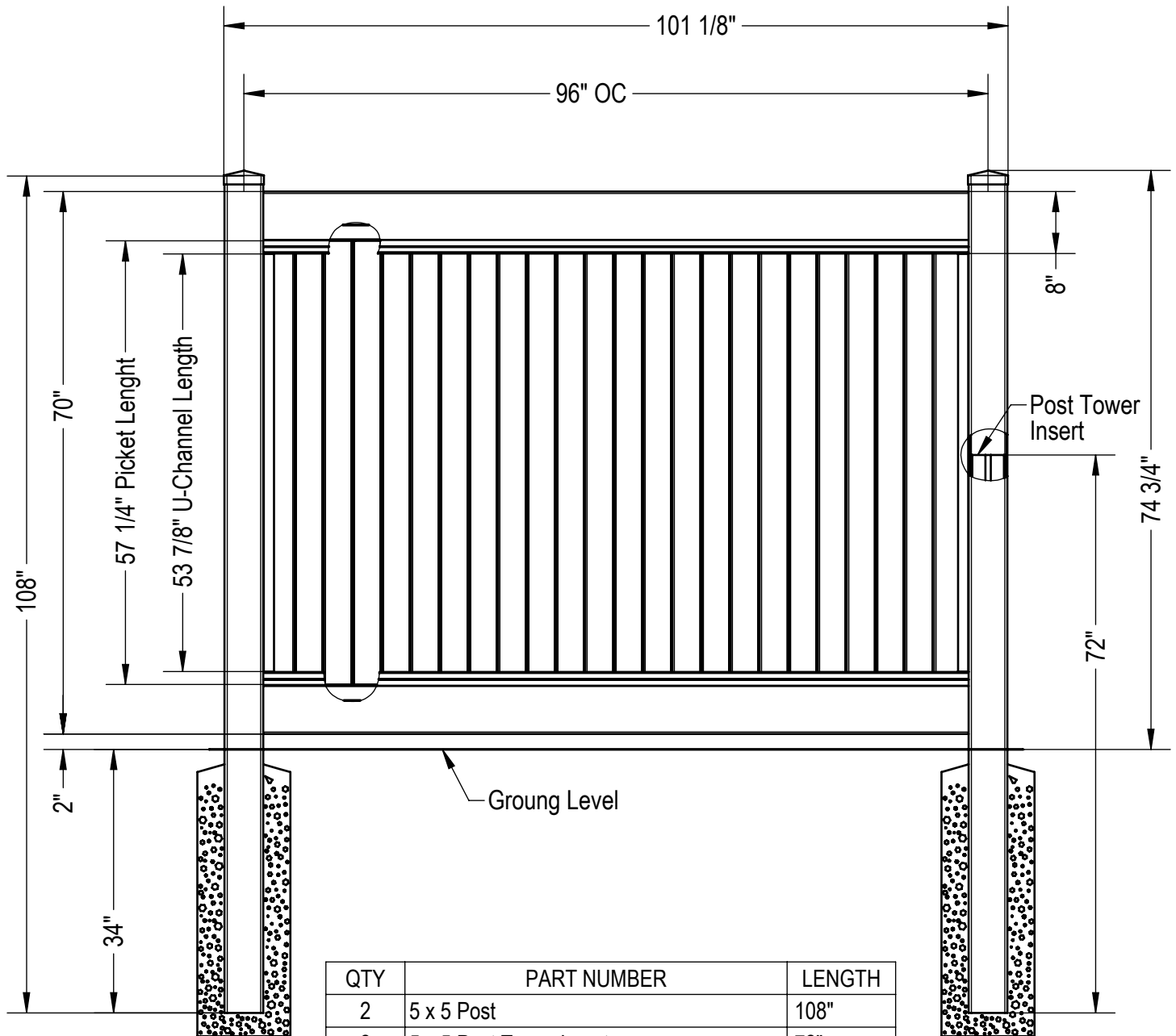
with 1 3/4 x 8 Rail & 7/8 x 6 T&G Picket



**Aluminum insert required on Khaki and all Woodland Select colors.

70" H x 96" W Deco Privacy

with 1 3/4 x 8 Rail & 7/8 x 11 T&G Picket



QTY	PART NUMBER	LENGTH
2	5 x 5 Post	108"
2	5 x 5 Post Tower Insert	72"
2	1 3/4 x 8 Slotted Rail	94 1/2"
8	7/8 x 11 1/4" Picket	57 1/4"
2	7/8 U-Channel	53 7/8"
6	#10 x 3/4" Screw	
2	5 x 5 External Long Cap	
	Insert for Khaki and WS colors	
1	1 3/4 x 8 Slot. Insert	94 1/2"

THIS DRAWING WAS MADE AND INTENDED FOR USE AS A GUIDE ONLY. ANY PRODUCT SUBSTITUTION OR VARIANCE MAY COMPROMISE THE STRUCTURE, DESIGN AND PERFORMANCE OF THE PRODUCT. NO WARRANTY IS EXPRESSED OR IMPLIED BY THIS DRAWING AND PLY GEM FENCE & RAIL.

475

DRAWINGS ARE CONFIDENTIAL AND ARE THE PROPERTY OF PLY GEM FENCE & RAILING © MAR 2019.

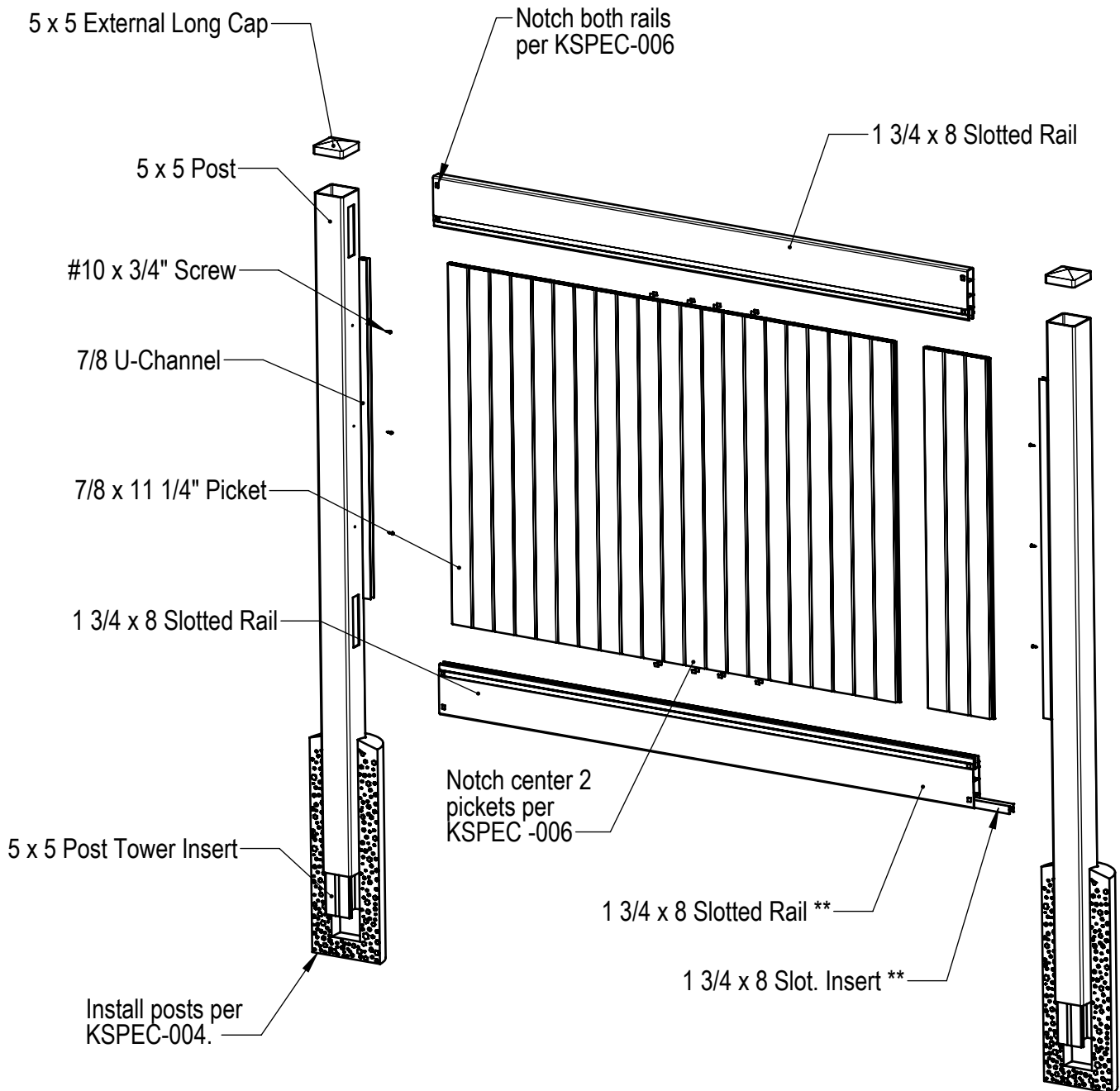
P512

Sheet 1 of 2

10-26-22

70" H x 96" W Deco Privacy

with 1 3/4 x 8 Rail & 7/8 x 11 T&G Picket



**Aluminum insert required on Khaki and all Woodland Select colors.

THIS DRAWING WAS MADE AND INTENDED FOR USE AS A GUIDE ONLY. ANY PRODUCT SUBSTITUTION OR VARIANCE MAY COMPROMISE THE STRUCTURE, DESIGN AND PERFORMANCE OF THE PRODUCT. NO WARRANTY IS EXPRESSED OR IMPLIED BY THIS DRAWING AND PLY GEM FENCE & RAIL.

476

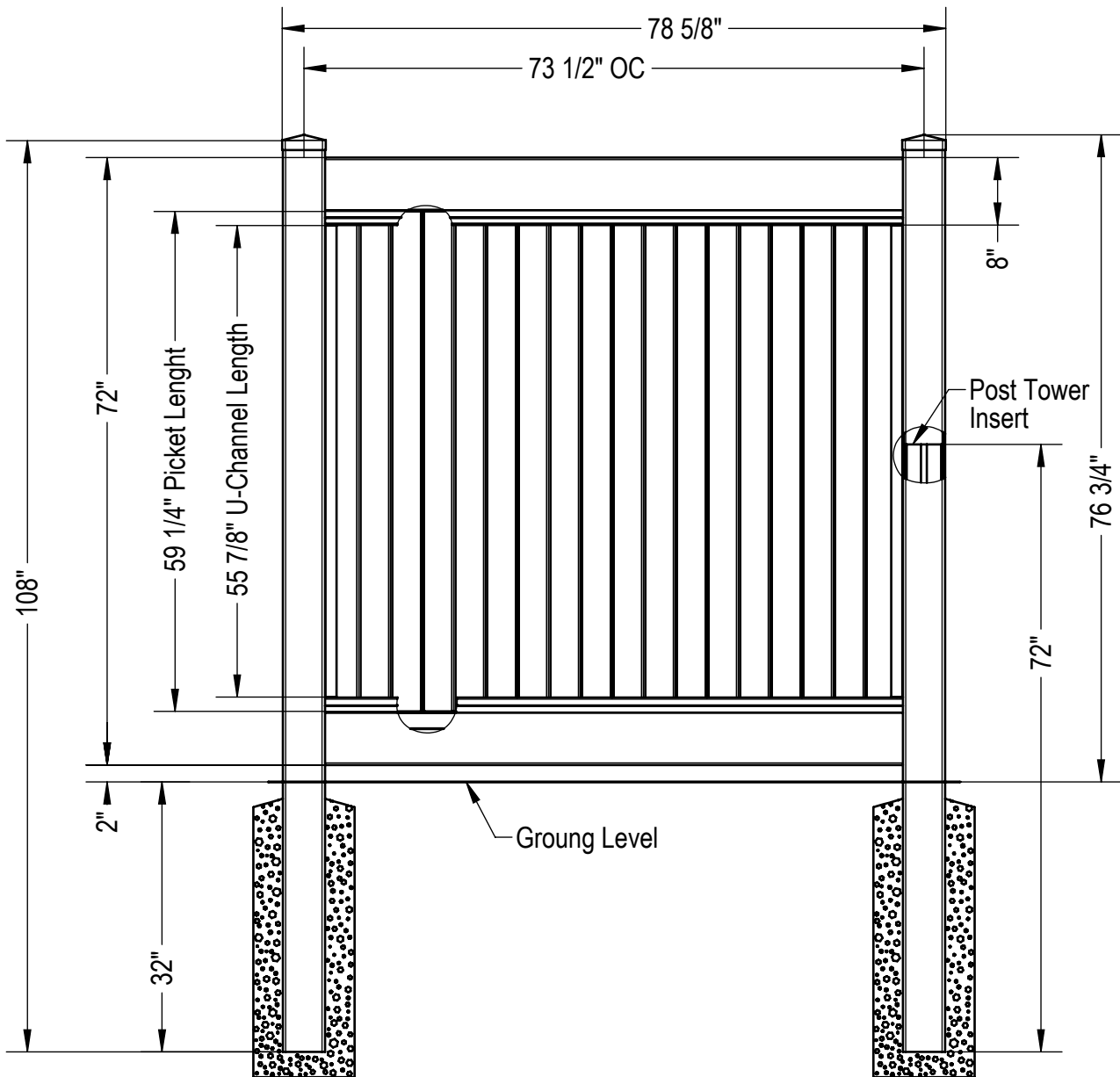
DRAWINGS ARE CONFIDENTIAL AND ARE THE PROPERTY OF PLY GEM FENCE & RAILING © MAR 2019.

P512

Sheet 2 of 2
10-26-22

72" H x 73 1/2" W Deco Privacy

with 1 3/4 x 8 Rail & 7/8 x 11 T&G Picket



QTY	PART NUMBER	LENGTH
2	5 x 5 Post	108"
2	1 3/4 x 8 Slotted Rail	72"
2	5 x 5 Post Tower Insert	72"
6	7/8 x 11 1/4" Picket	59 1/4"
2	7/8 U-Channel	55 7/8"
6	#10 x 3/4" Screw	
2	5 x 5 External Long Cap	
	Insert for Khaki and WS colors	
1	1 3/4 x 8 Slot. Insert	72"

THIS DRAWING WAS MADE AND INTENDED FOR USE AS A GUIDE ONLY. ANY PRODUCT SUBSTITUTION OR VARIANCE MAY COMPROMISE THE STRUCTURE, DESIGN AND PERFORMANCE OF THE PRODUCT.

NO WARRANTY IS EXPRESSED OR IMPLIED BY THIS DRAWING AND PLY GEM FENCE & RAIL.

477
DRAWINGS ARE CONFIDENTIAL AND ARE THE PROPERTY OF PLY GEM FENCE & RAILING © MAR 2019.

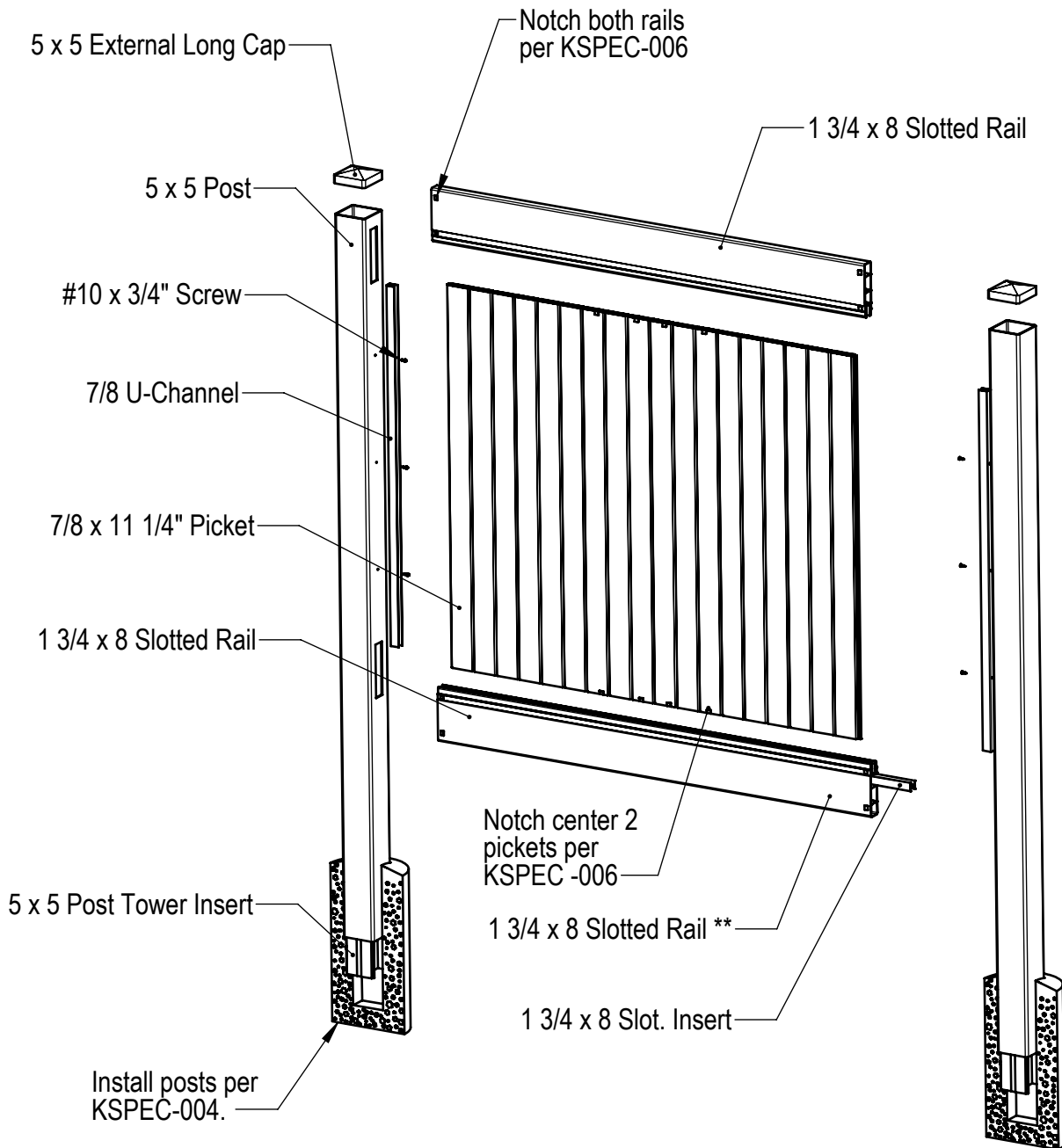
P513

Sheet 1 of 2

10-22-22

72" H x 73 1/2" W Deco Privacy

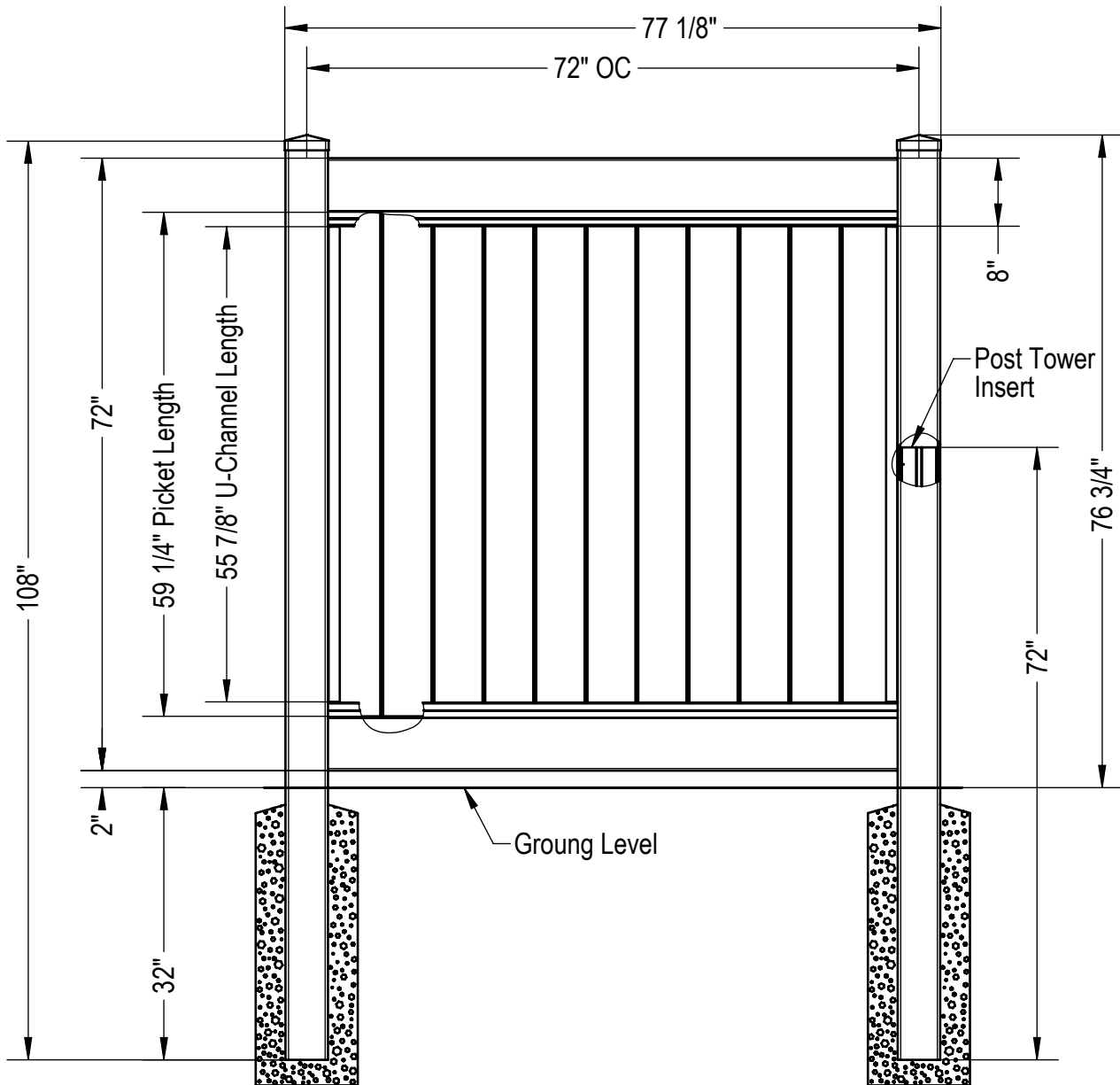
with 1 3/4 x 8 Rail & 7/8 x 11 T&G Picket



**Aluminum insert required on Khaki and all Woodland Select colors.

72" H x 72" W Deco Privacy

with 1 3/4 x 8 Rail & 7/8 x 6 T&G Picket



QTY	PART NUMBER	LENGTH
2	5 x 5 Post	108"
2	5 x 5 Post Tower Insert	72"
2	1 3/4 x 8 Slotted Rail	72"
11	7/8 x 6 T&G	57 1/4"
2	7/8 U-Channel	53 7/8"
6	#10 x 3/4" Screw	
2	5 x 5 External Long Cap	
	Insert for Khaki and WS colors	
1	1 3/4 x 8 Slot. Insert	72"

THIS DRAWING WAS MADE AND INTENDED FOR USE AS A GUIDE ONLY. ANY PRODUCT SUBSTITUTION OR VARIANCE MAY COMPROMISE THE STRUCTURE, DESIGN AND PERFORMANCE OF THE PRODUCT. NO WARRANTY IS EXPRESSED OR IMPLIED BY THIS DRAWING AND PLY GEM FENCE & RAIL.

479
DRAWINGS ARE CONFIDENTIAL AND ARE THE PROPERTY OF PLY GEM FENCE & RAILING © MAR 2019.

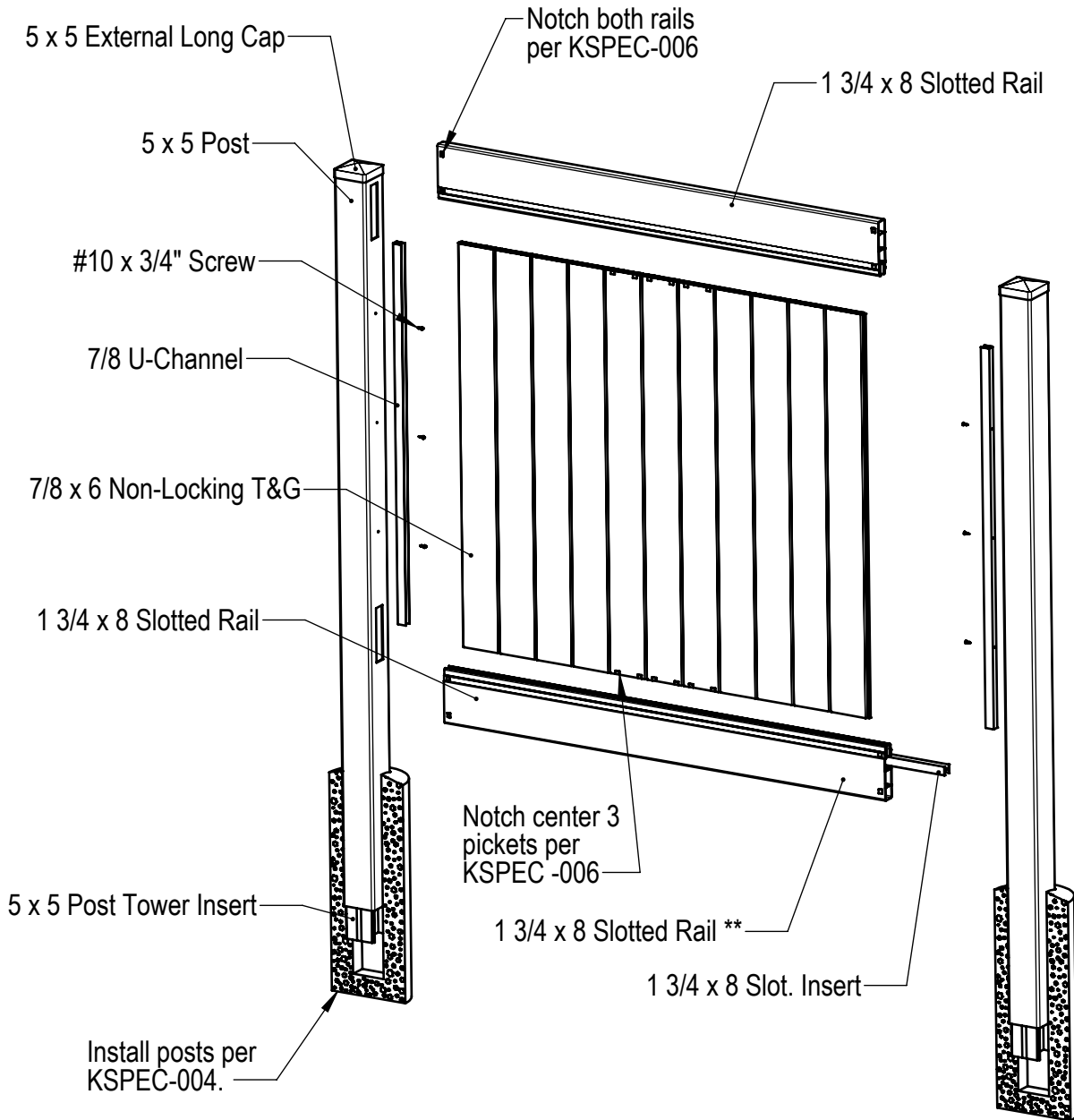
P514

Sheet 1 of 2

10-27-22

72" H x 72" W Deco Privacy

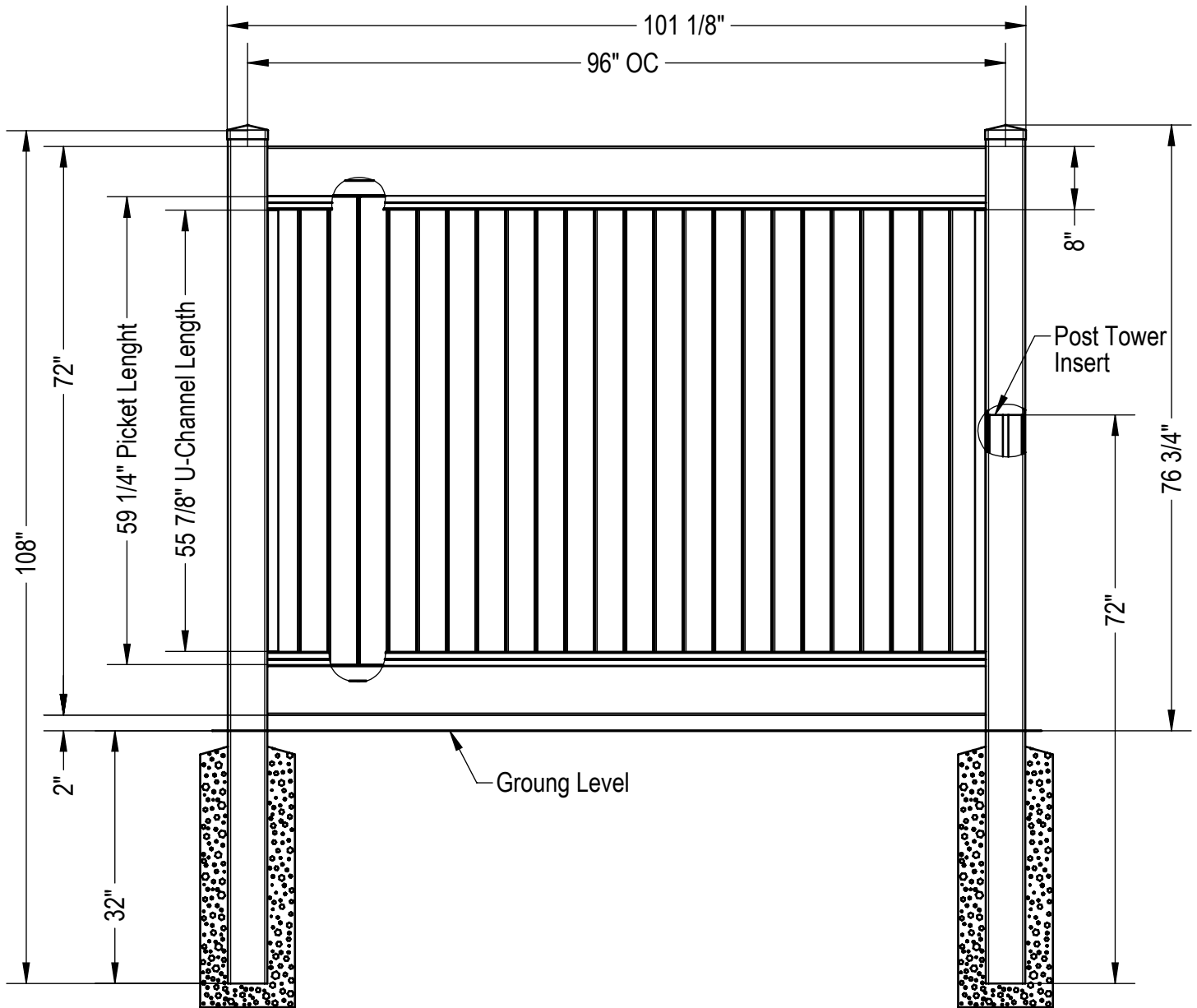
with 1 3/4 x 8 Rail & 7/8 x 6 T&G Picket



**Aluminum insert required on Khaki and all Woodland Select colors.

72" H x 96" W Deco Privacy

with 1 3/4 x 8 Rail & 7/8 x 11 T&G Picket



QTY	PART NUMBER	LENGTH
2	5 x 5 Post	108"
2	5 x 5 Post Tower Insert	72"
2	1 3/4 x 8 Slotted Rail	94 1/2"
8	7/8 x 11 1/4" Picket	59 1/4"
2	7/8 U-Channel	55 7/8"
6	#10 x 3/4" Screw	
2	5 x 5 External Long Cap	
	Insert for Khaki and WS colors	
1	1 3/4 x 8 Slot. Insert	94 1/2"

THIS DRAWING WAS MADE AND INTENDED FOR USE AS A GUIDE ONLY. ANY PRODUCT SUBSTITUTION OR VARIANCE MAY COMPROMISE THE STRUCTURE, DESIGN AND PERFORMANCE OF THE PRODUCT. NO WARRANTY IS EXPRESSED OR IMPLIED BY THIS DRAWING AND PLY GEM FENCE & RAIL.

481
DRAWINGS ARE CONFIDENTIAL AND ARE THE PROPERTY OF PLY GEM FENCE & RAILING © MAR 2019.

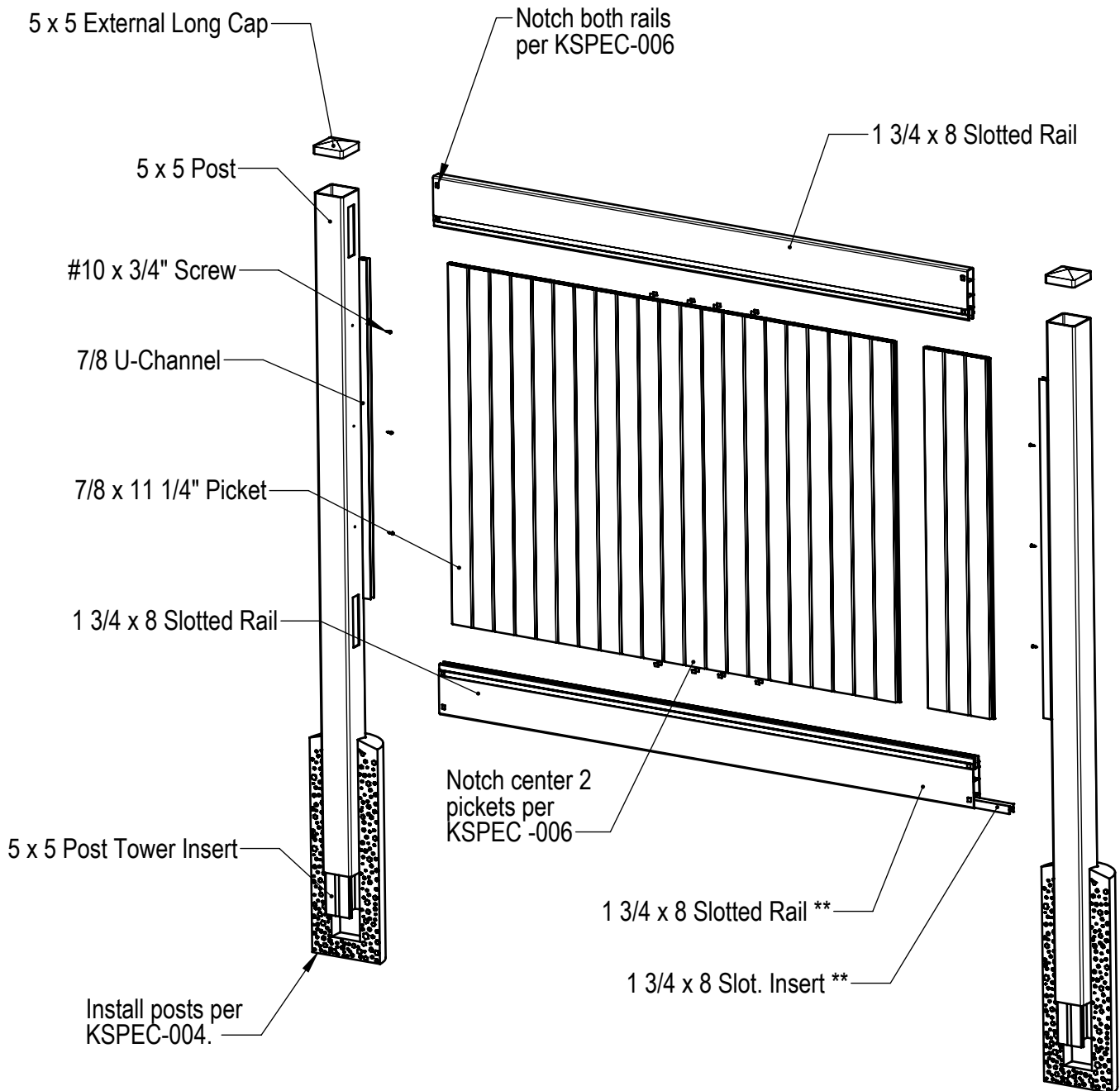
P515

Sheet 1 of 2

10-26-22

72" H x 96" W Deco Privacy

with 1 3/4 x 8 Rail & 7/8 x 11 T&G Picket



**Aluminum insert required on Khaki and all Woodland Select colors.

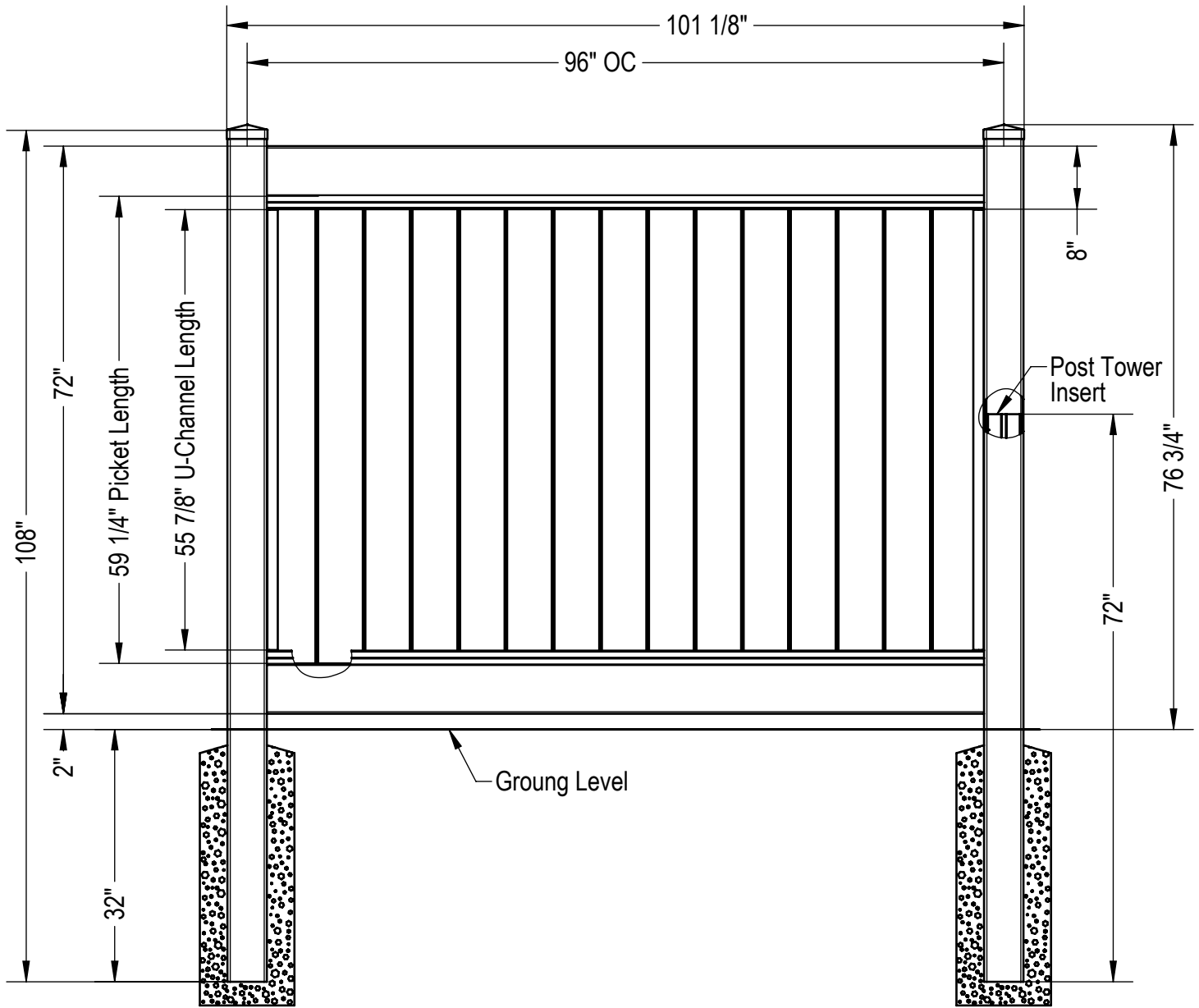
THIS DRAWING WAS MADE AND INTENDED FOR USE AS A GUIDE ONLY. ANY PRODUCT SUBSTITUTION OR VARIANCE MAY COMPROMISE THE STRUCTURE, DESIGN AND PERFORMANCE OF THE PRODUCT. NO WARRANTY IS EXPRESSED OR IMPLIED BY THIS DRAWING AND PLY GEM FENCE & RAIL.
482
 DRAWINGS ARE CONFIDENTIAL AND ARE THE PROPERTY OF PLY GEM FENCE & RAILING © MAR 2019.

P515

Sheet 2 of 2
 10-26-22

72" H x 96" W Deco Privacy

with 1 3/4 x 8 Rail & 7/8 x 6 T&G Picket



QTY	PART NUMBER	LENGTH
2	5 x 5 Post	108"
2	5 x 5 Post Tower Insert	72"
2	1 3/4 x 8 Slotted Rail	94 1/2"
15	7/8 x 6 Non-Locking T&G	59 1/4"
2	7/8 U-Channel	55 7/8"
6	#10 x 3/4" Screw	
2	5 x 5 External Long Cap	
46	Insert for Khaki and WS colors	
1	1 3/4 x 8 Slot. Insert	94 1/2"

THIS DRAWING WAS MADE AND INTENDED FOR USE AS A GUIDE ONLY. ANY PRODUCT SUBSTITUTION OR VARIANCE MAY COMPROMISE THE STRUCTURE, DESIGN AND PERFORMANCE OF THE PRODUCT. NO WARRANTY IS EXPRESSED OR IMPLIED BY THIS DRAWING AND PLY GEM FENCE & RAIL.

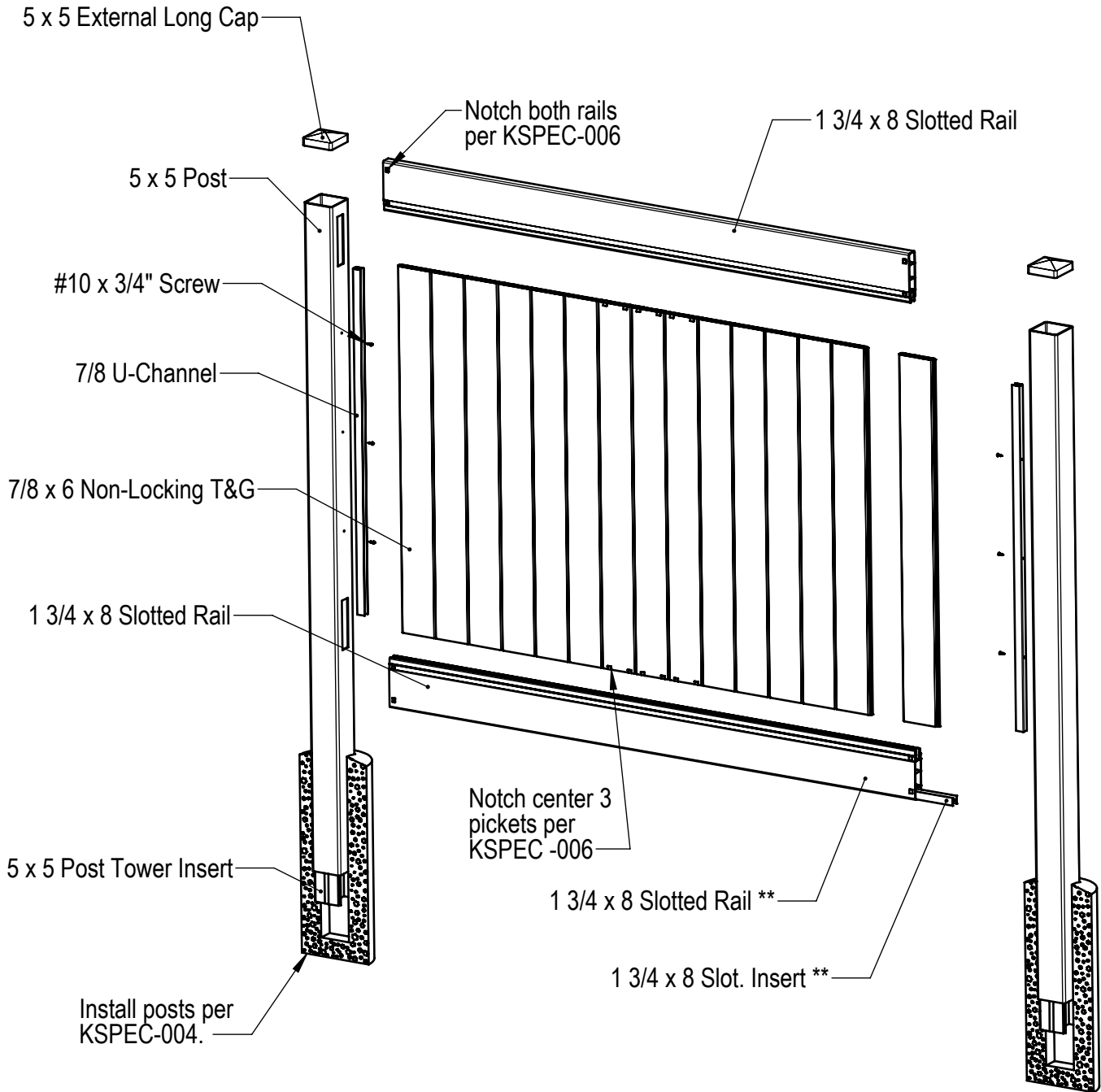
483
DRAWINGS ARE CONFIDENTIAL AND ARE THE PROPERTY OF PLY GEM FENCE & RAILING © MAR 2019.

P516

Sheet 1 of 2
10-26-22

72" H x 96" W Deco Privacy

with 1 3/4 x 8 Rail & 7/8 x 6 T&G Picket



**Aluminum insert required on Khaki and all Woodland Select colors.

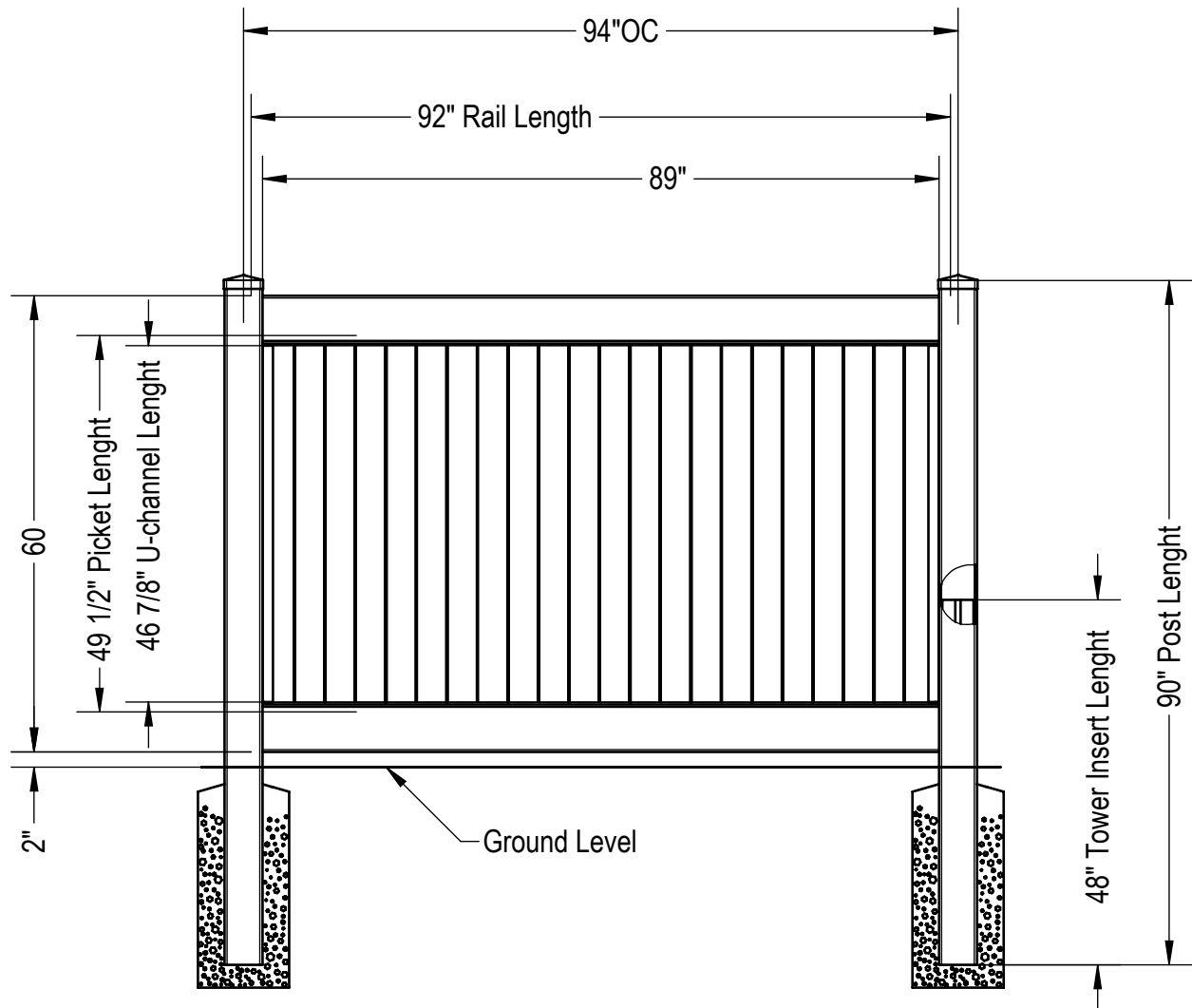
THIS DRAWING WAS MADE AND INTENDED FOR USE AS A GUIDE ONLY. ANY PRODUCT SUBSTITUTION OR VARIANCE MAY COMPROMISE THE STRUCTURE, DESIGN AND PERFORMANCE OF THE PRODUCT. NO WARRANTY IS EXPRESSED OR IMPLIED BY THIS DRAWING AND PLY GEM FENCE & RAIL.
484
 DRAWINGS ARE CONFIDENTIAL AND ARE THE PROPERTY OF PLY GEM FENCE & RAILING © MAR 2019.

P516

Sheet 2 of 2
 10-26-22

60" H x 94" W Performance Privacy

with 2 x 6 1/2 Rail & 1 x 8 T&G Picket



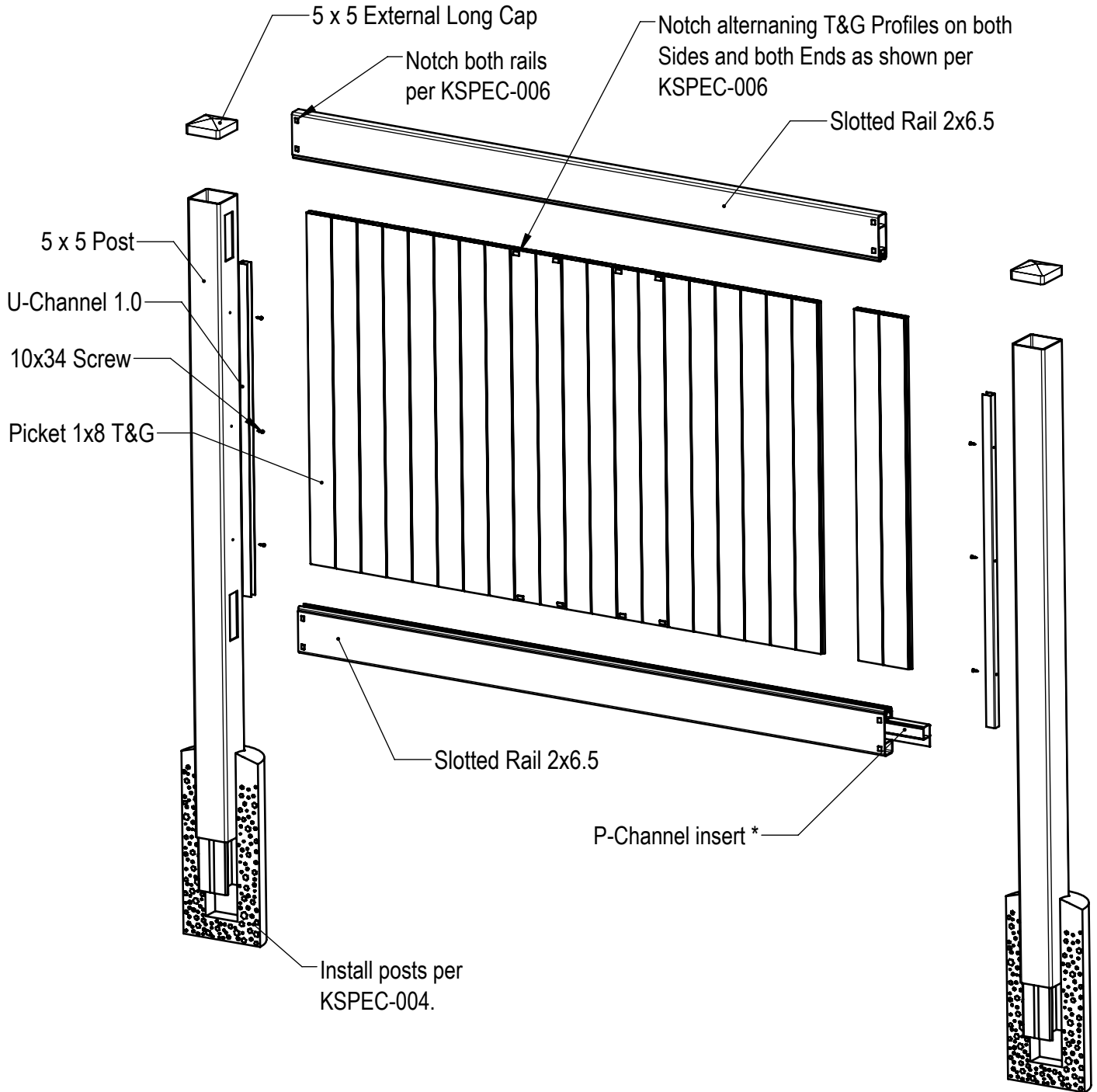
QTY	PART NUMBER	LENGTH
2	5 x 5 Post	90"
2	5 x 5 Post Tower Insert	48"
2	2 x 6 1/2 Slotted Rail	92"
1	P-Channel insert	92"
11	1 x 8 T&G Picket	49 1/2"
2	U-Channel 1.0	46 7/8"
6	#10 x 3/4" Screw	
2	5 x 5 External Long Cap	

P517

Sheet 1 of 2
01-03-23

60" H x 94" W Performance Privacy

with 2 x 6 1/2 Rail & 1 x 8 T&G Picket



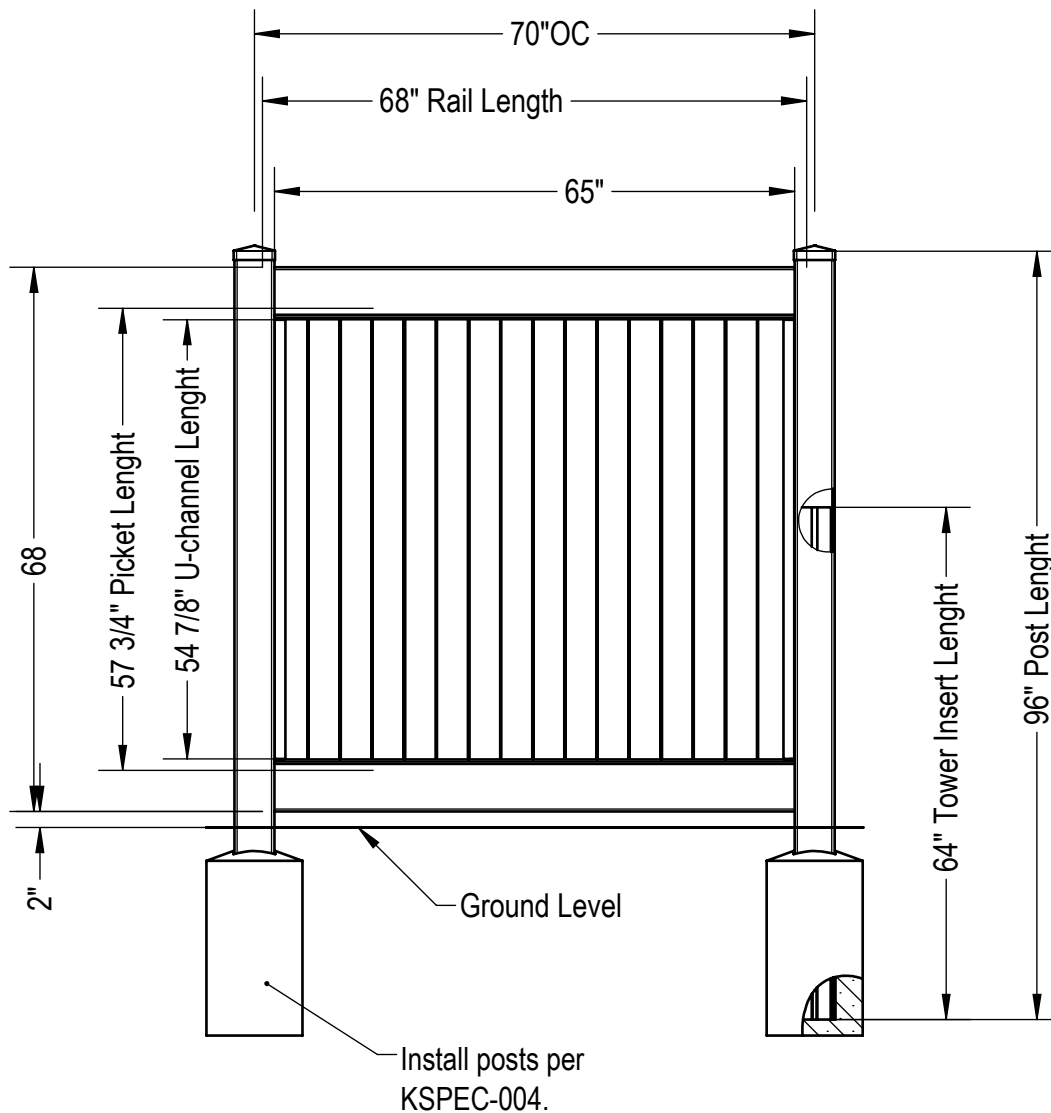
* Alum. Insert in Bottom Rail is not Required on White, Tan or Sandstone. All other colors greater than 60" wide must install insert.

P517

Sheet 2 of 2
01-03-23

68" H x 70" W Performance Privacy

with 2 x 6 1/2 Rail & 1 x 8 T&G Picket



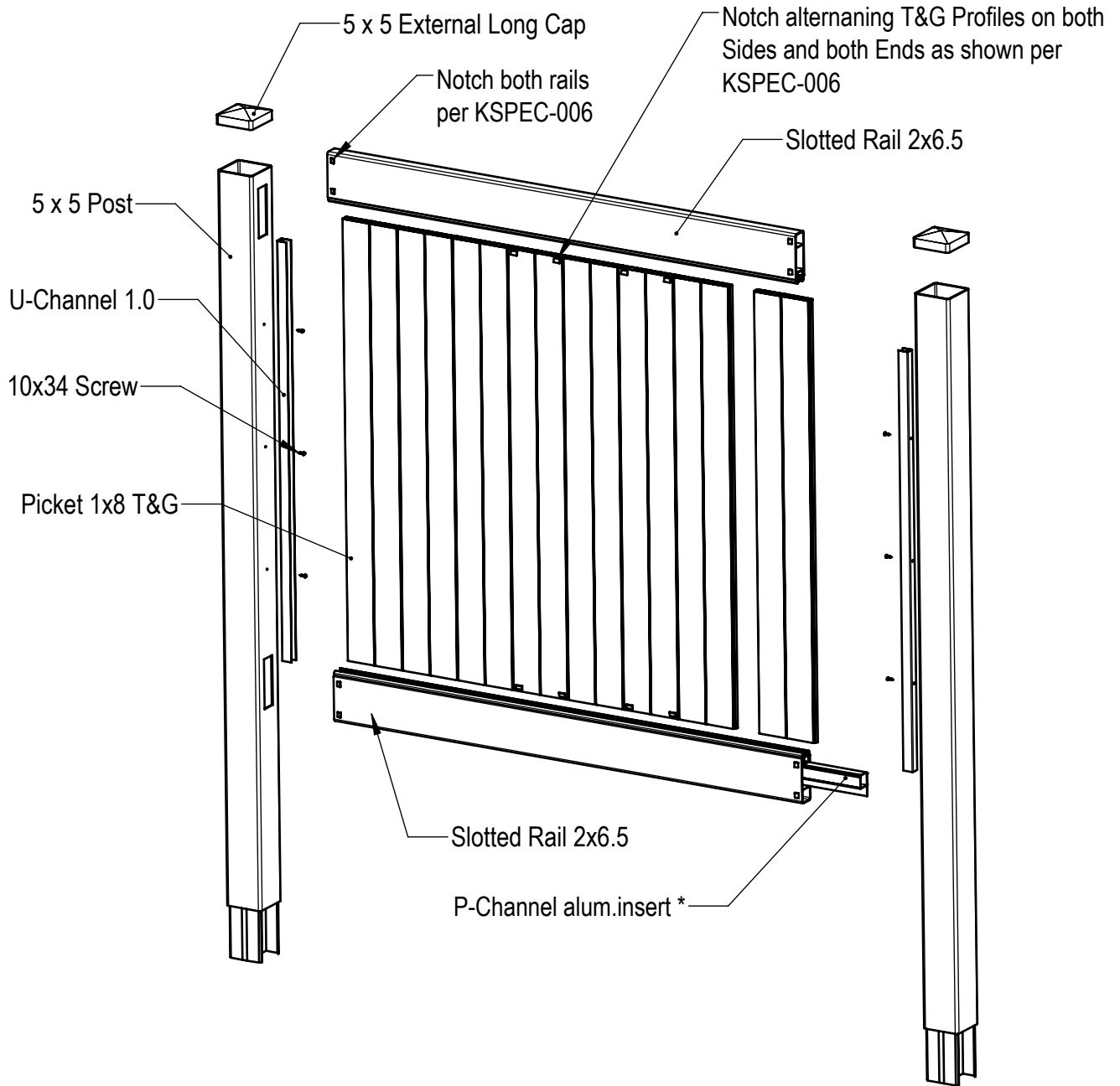
QTY	PART NUMBER	LENGTH
2	5 x 5 Post	96"
2	5 x 5 Post Tower Insert	64"
2	2 x 6 1/2 Slotted Rail	68"
1	P-Channel insert	68"
8	1 x 8 T&G Picket	57 3/4"
2	U-Channel 1.0	54 7/8"
6	#10 x 3/4" Screw	
2	5 x 5 External Long Cap	

P518

Sheet 1 of 2
01-03-23

68" H x 70" W Performance Privacy

with 2 x 6 1/2 Rail & 1 x 8 T&G Picket



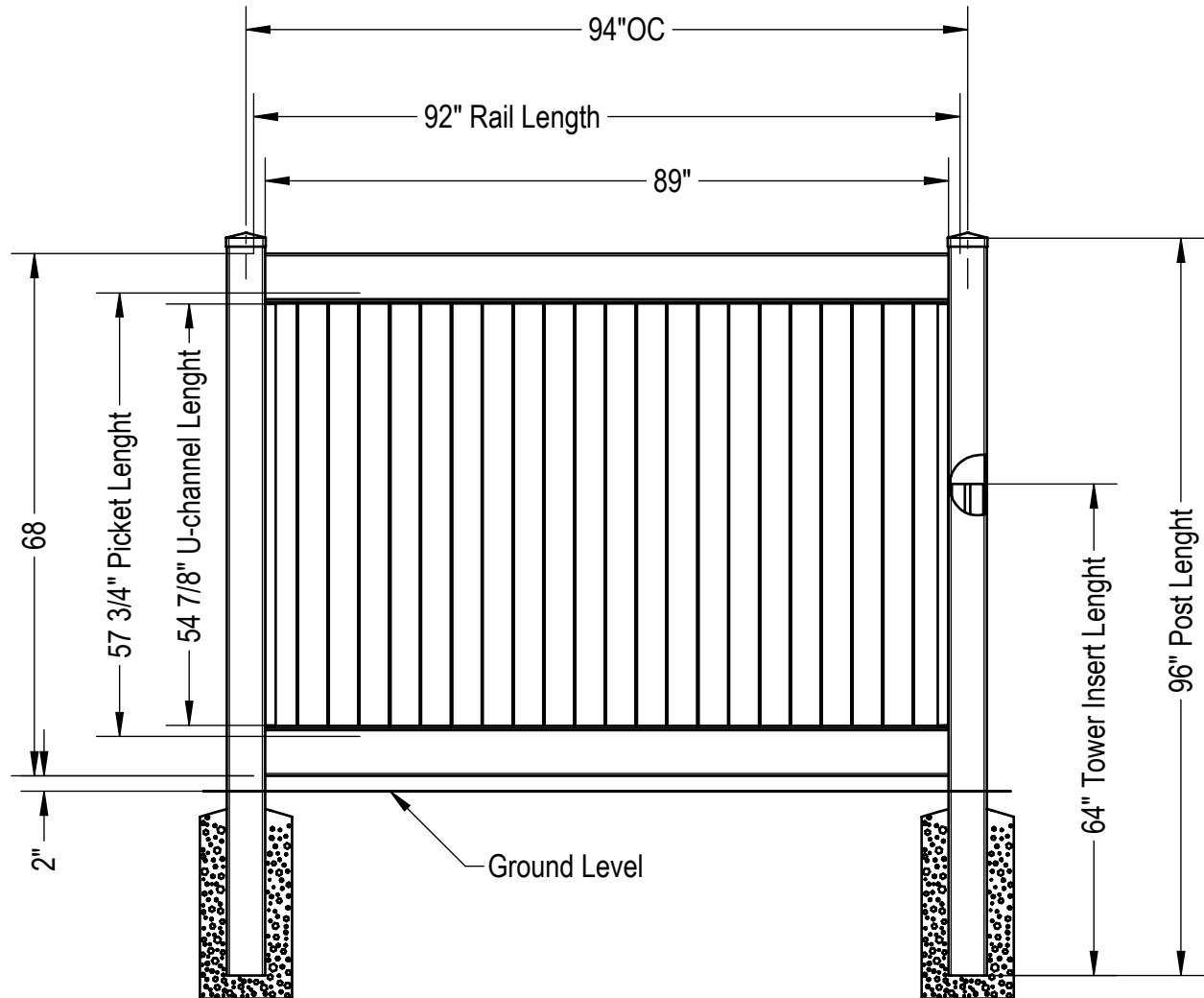
* Alum. Insert in Bottom Rail is not Required on White, Tan or Sandstone. All other colors greater than 60" wide must install insert.

P518

Sheet 2 of 2
01-03-23

68" H x 94" W Performance Privacy

with 2 x 6 1/2 Rail & 1 x 8 T&G Picket



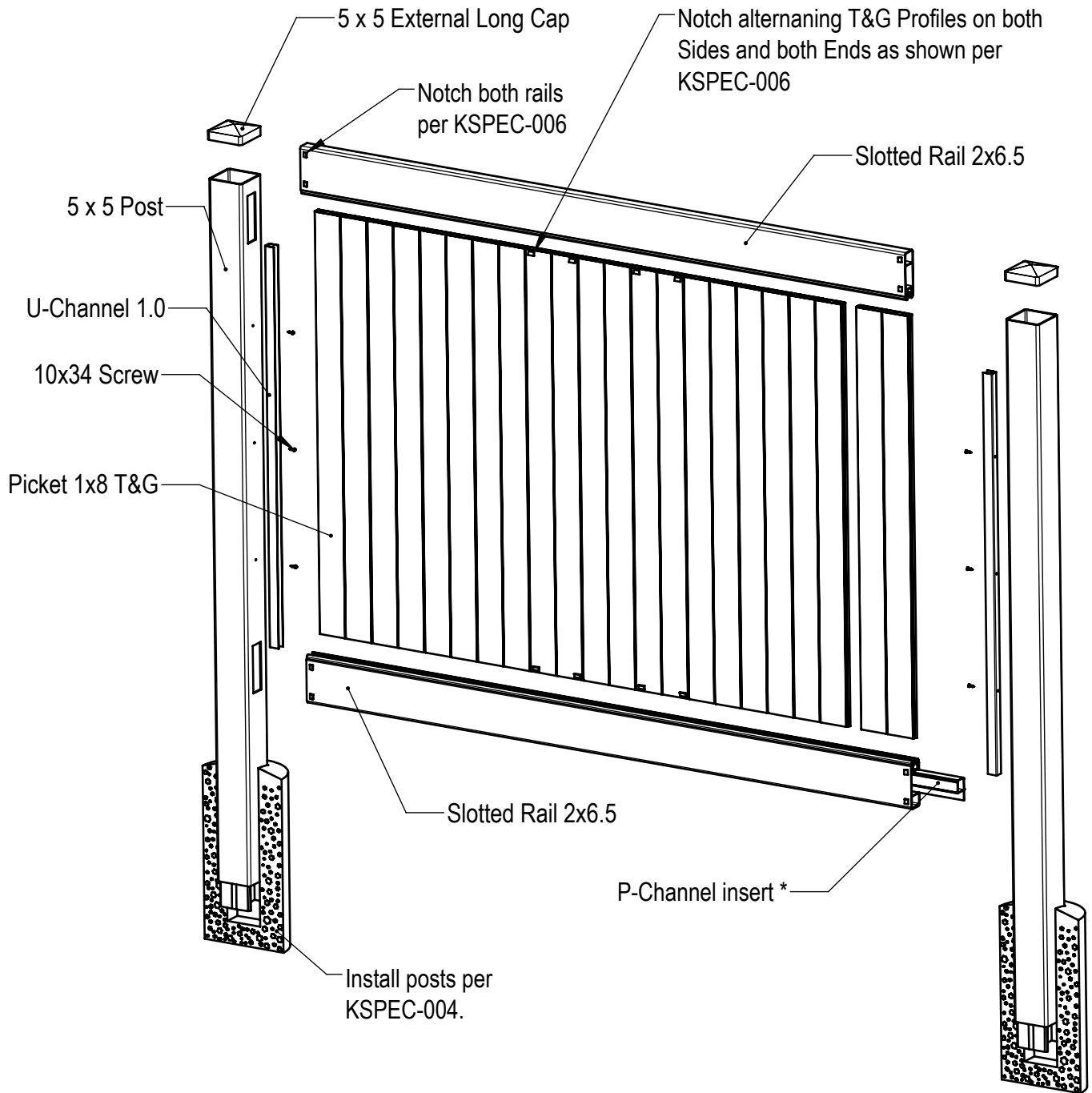
QTY	PART NUMBER	LENGTH
2	5 x 5 Post	96"
2	5 x 5 Post Tower Insert	64"
2	2 x 6 1/2 Slotted Rail	92"
1	P-Channel insert	92"
11	1 x 8 T&G Picket	57 3/4"
2	U-Channel 1.0	54 7/8"
6	#10 x 3/4" Screw	
2	5 x 5 External Long Cap	

P519

Sheet 1 of 2
01-03-23

68" H x 94" W Performance Privacy

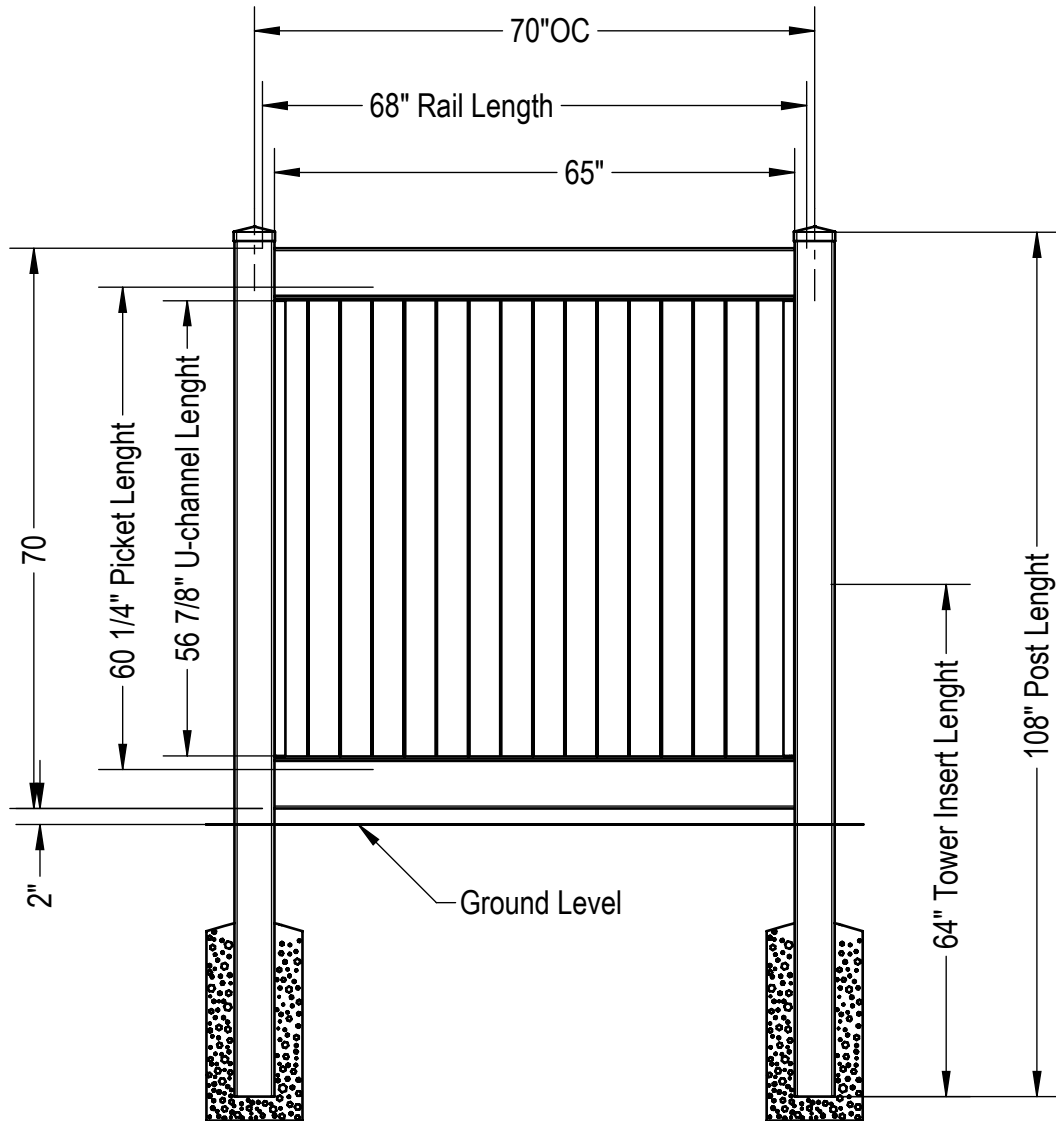
with 2 x 6 1/2 Rail & 1 x 8 T&G Picket



* Alum. Insert in Bottom Rail is not Required on White, Tan or Sandstone. All other colors greater than 60" wide must install insert.

70" H x 70" W Performance Privacy

with 2 x 6 1/2 Rail & 1 x 8 T&G Picket



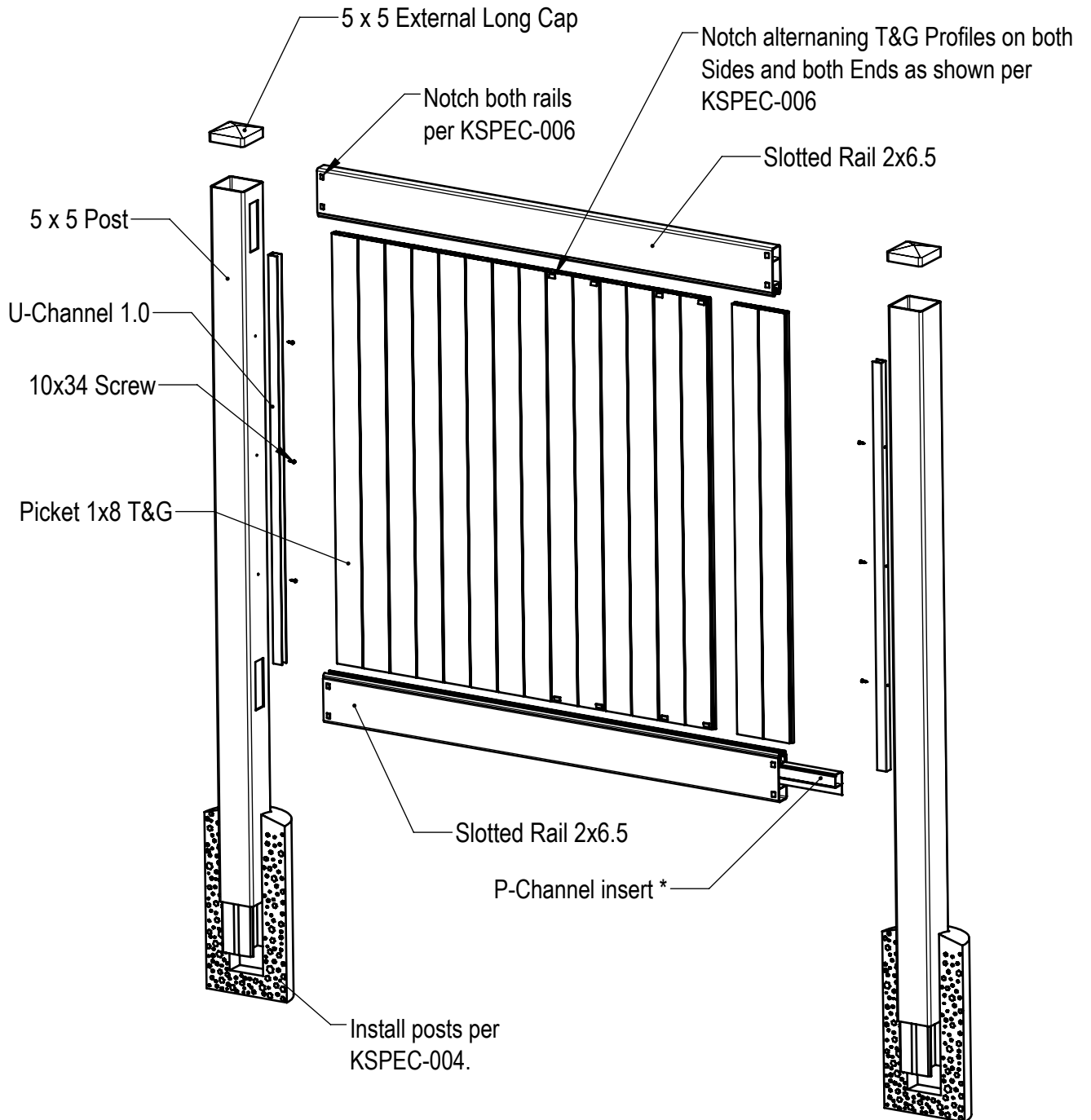
QTY	PART NUMBER	LENGTH
2	5 x 5 Post	108"
2	5 x 5 Post Tower Insert	64"
2	2 x 6 1/2 Slotted Rail	68"
1	P-Channel insert	68"
8	1 x 8 T&G Picket	60 1/4"
2	7/8 U-Channel	56 7/8"
6	#10 x 3/4" Screw	
2	5 x 5 External Long Cap	

P520

Sheet 1 of 2
02-03-23

70" H x 70" W Performance Privacy

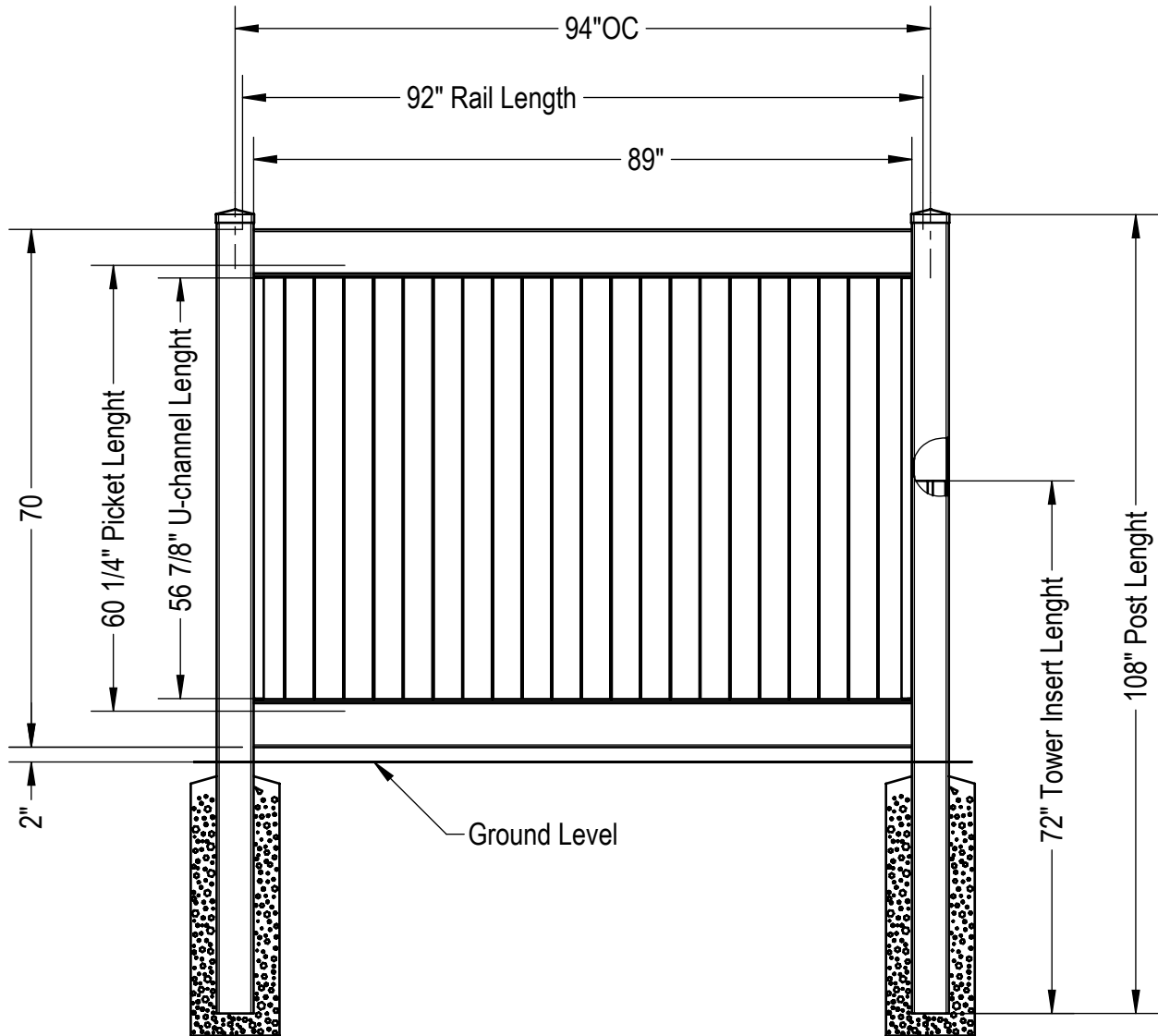
with 2 x 6 1/2 Rail & 1 x 8 T&G Picket



* Alum. Insert in Bottom Rail is not Required on White, Tan or Sandstone. All other colors greater than 60" wide must install insert.

70" H x 94" W Performance Privacy

with 2 x 6 1/2 Rail & 1 x 8 T&G Picket



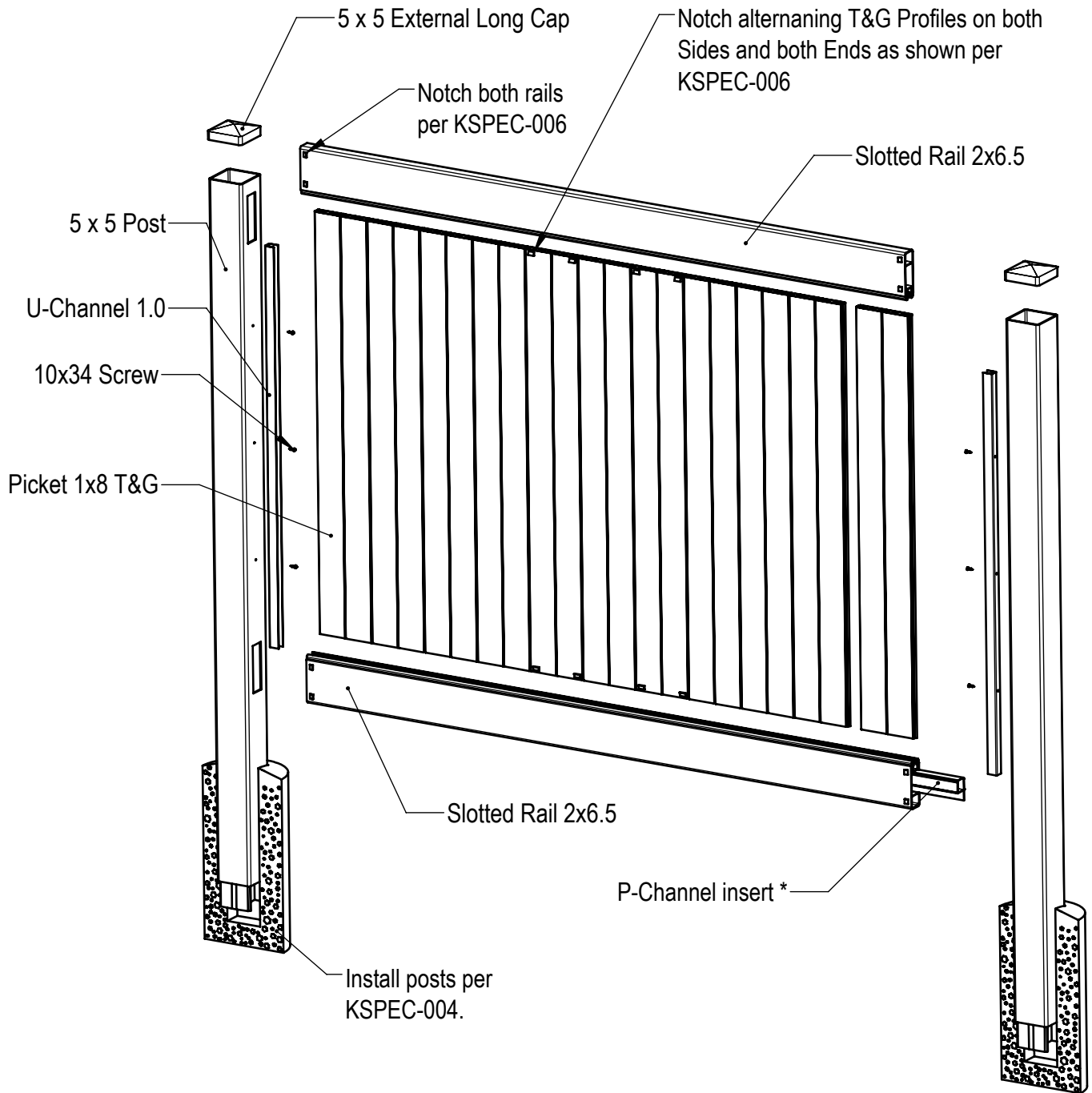
QTY	PART NUMBER	LENGTH
2	5 x 5 Post	108"
2	5 x 5 Post Tower Insert	72"
2	2 x 6 1/2 Slotted Rail	92"
1	P-Channel insert	92"
11	1 x 8 T&G Picket	60 1/4"
2	7/8 U-Channel	56 7/8"
6	#10 x 3/4" Screw	
2	5 x 5 External Long Cap	

P521

Sheet 1 of 2
02-03-23

70" H x 94" W Performance Privacy

with 2 x 6 1/2 Rail & 1 x 8 T&G Picket



* Alum. Insert in Bottom Rail is not Required on White, Tan or Sandstone. All other colors greater than 60" wide must install insert.

GET MORE WITH PLY GEM FENCE & RAILING

As industry leaders, we go the extra mile to consistently deliver beautiful, high-performance products. That's why we utilize the best materials and practices. And because our standards are higher than most, all Ply Gem Fence & Railing products carry our impressive, Limited Lifetime Transferable Warranty.



2600 Grand Blvd., Suite 900 • Kansas City, MO 64108
Phone (888) 300-8208 • Fax (816) 426-8555

plygemfence.com

© 2023 Ply Gem Industries, Inc., part of Cornerstone Building Brands, Inc.
ALL RIGHTS RESERVED. 6107239991101/MS/O923



PART OF THE CORNERSTONE BUILDING BRANDS FAMILY | SIDING + ACCESSORIES | WINDOWS + DOORS | STONE VENEER | TRIM + MOULDINGS | FENCE + RAILING

