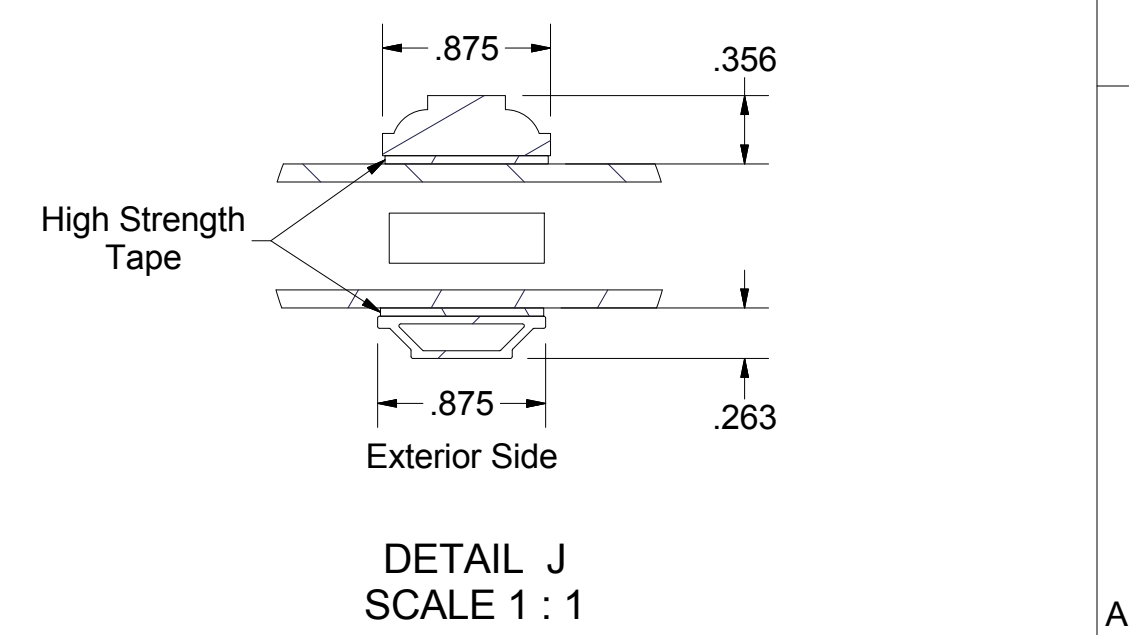
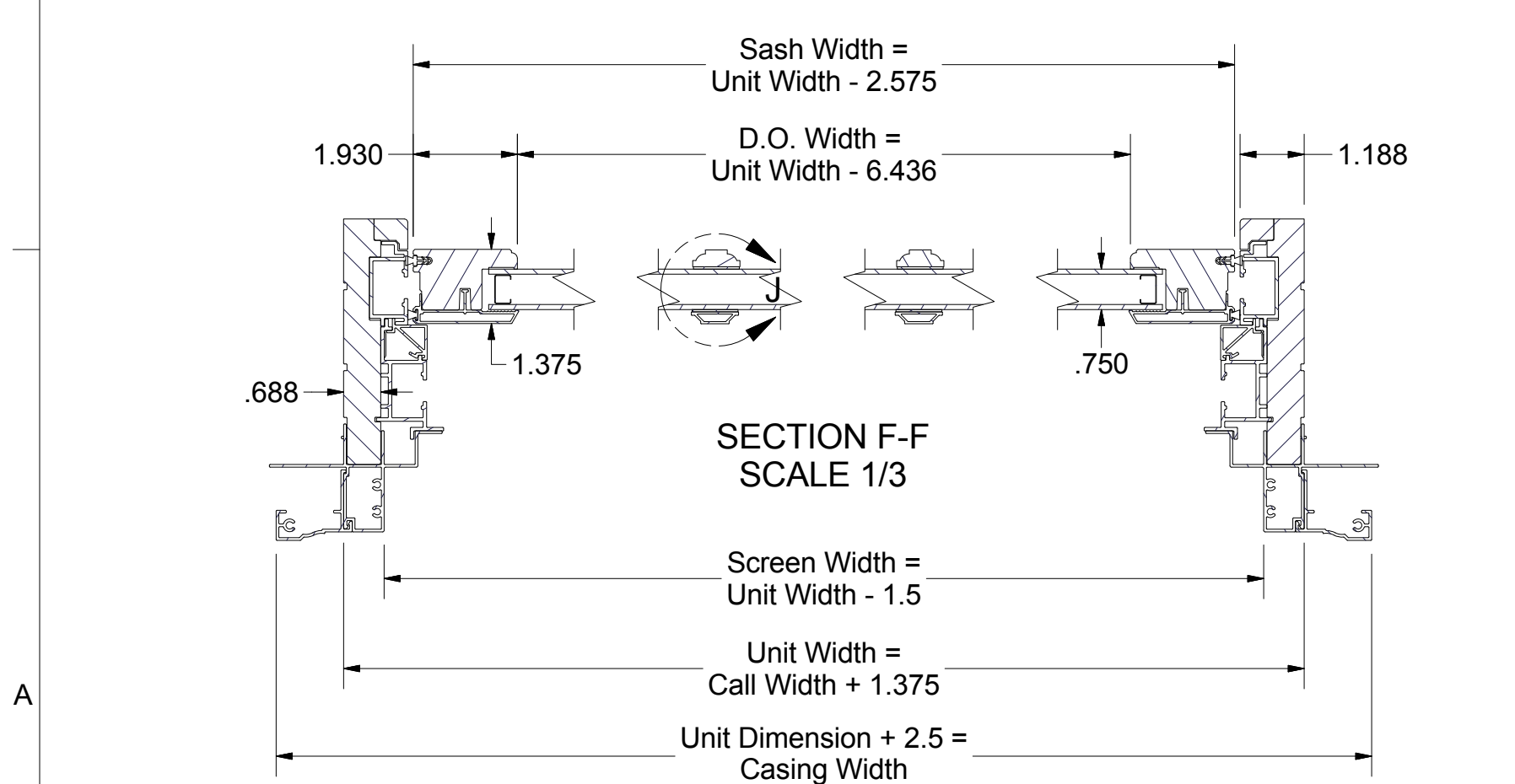
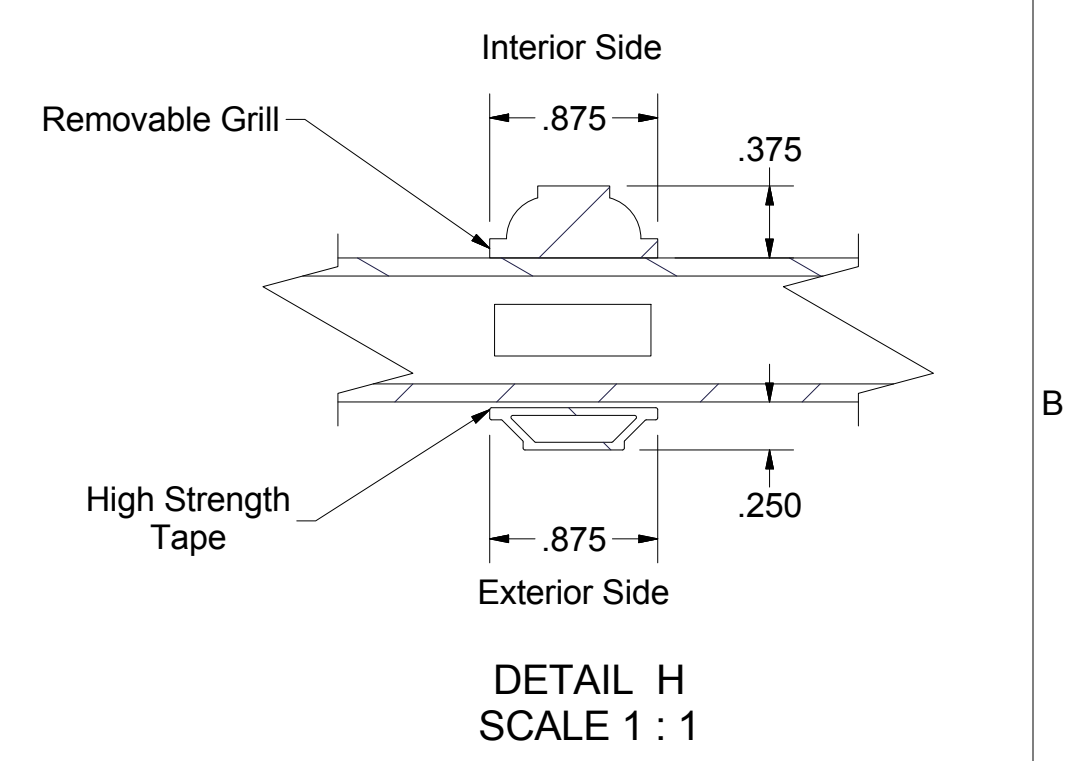
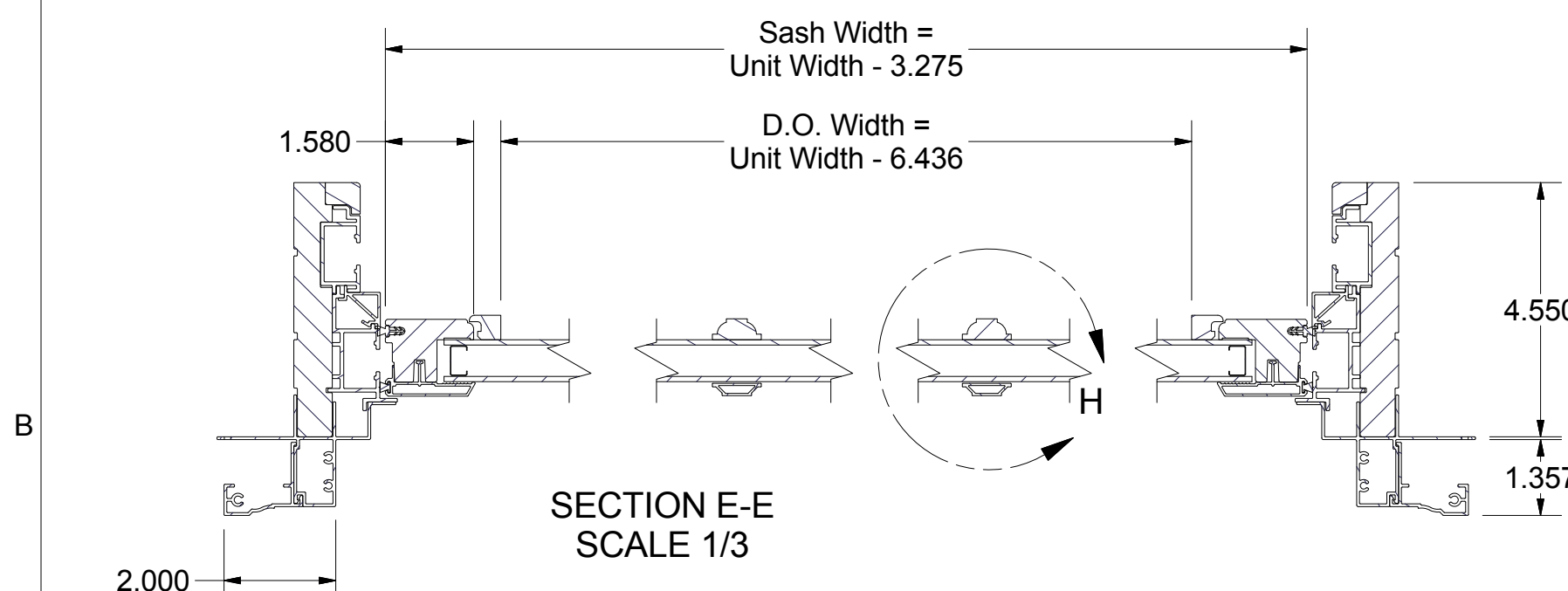
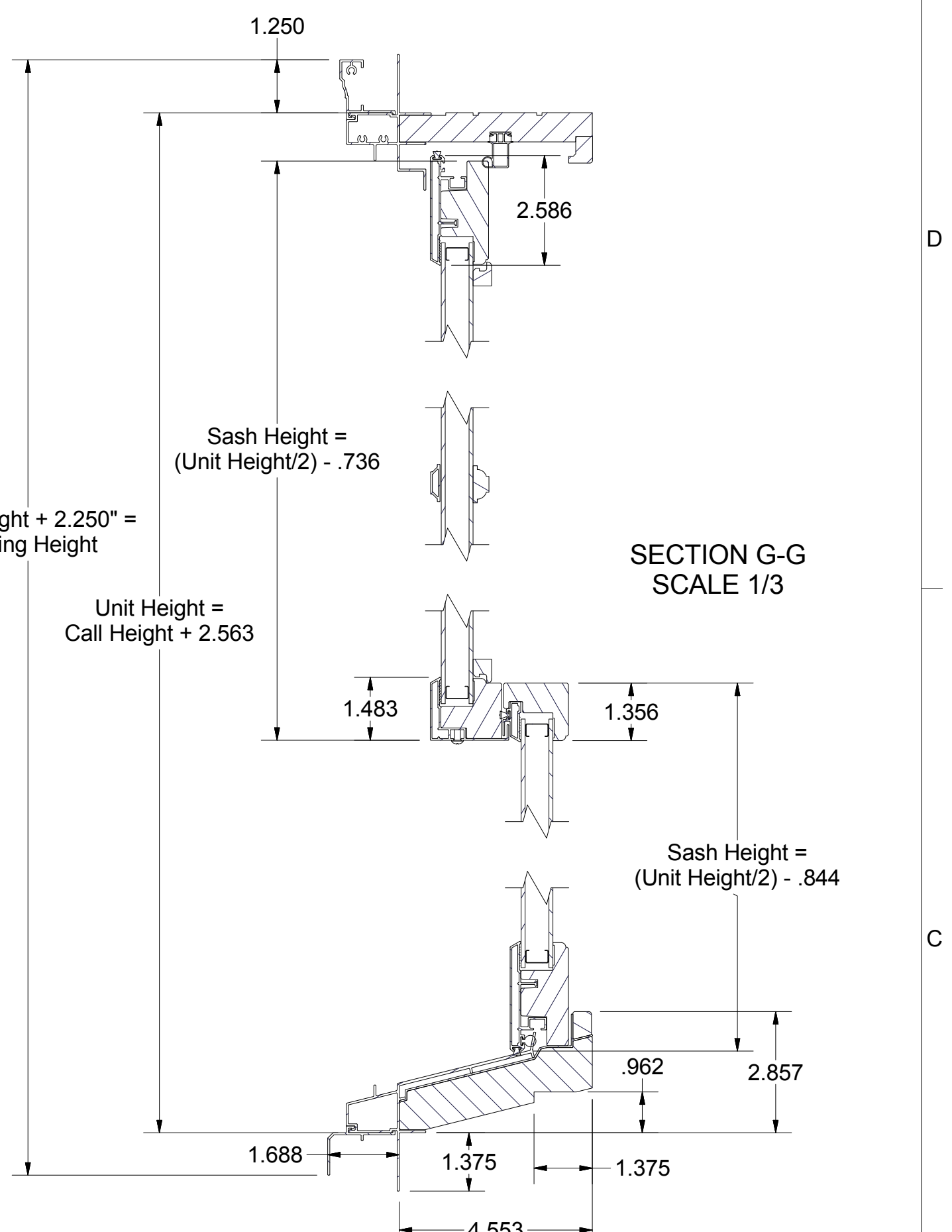
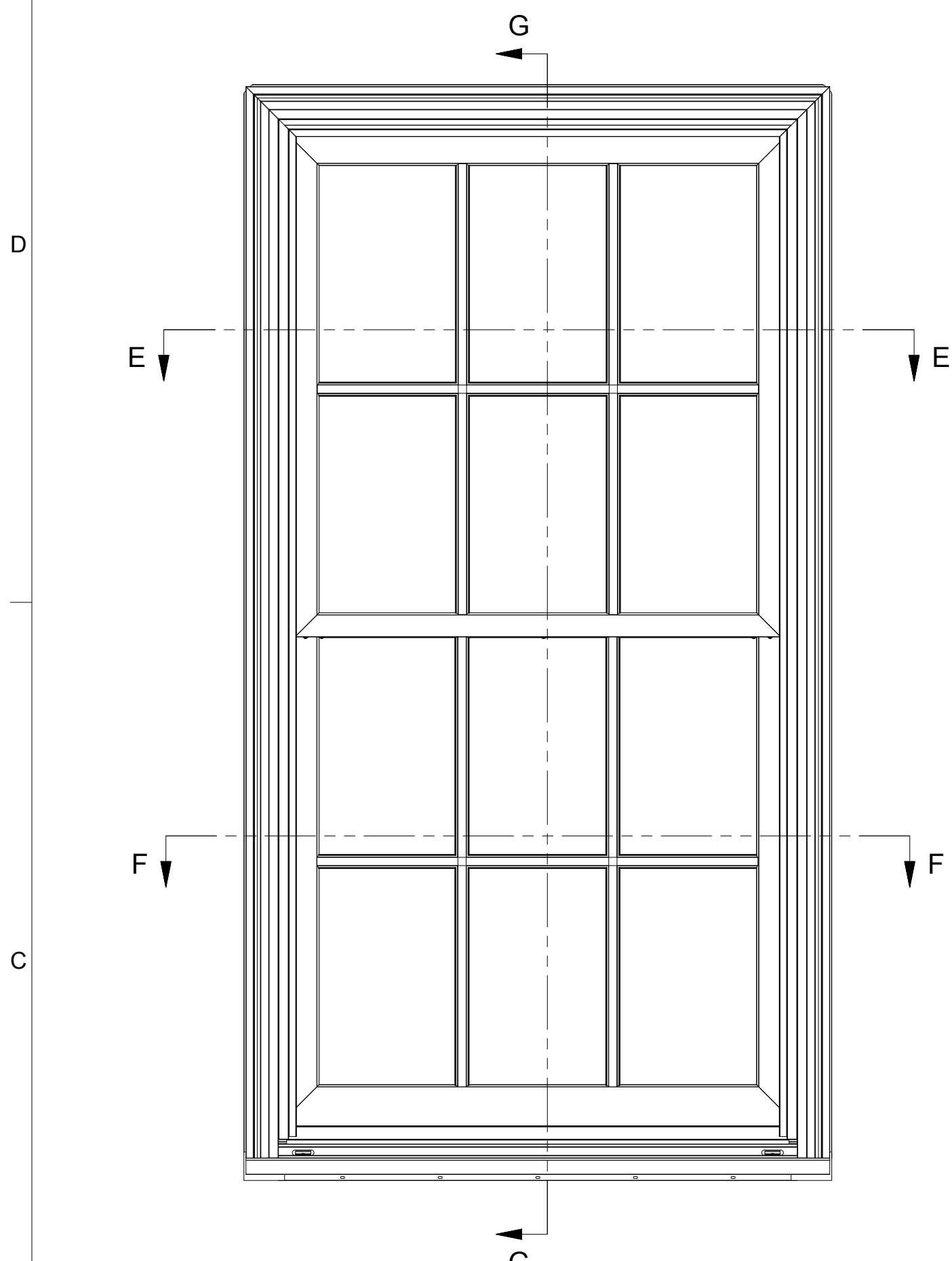


4

3

2

1



See Technical Data Sheet for standard sizes, rough openings, and other dimensions.



Tolerances Unless Otherwise Specified. All Dimensions originate at sharp corners unless indicated.

X.XXX ± 0.005, X.XX ± 0.015
 FRACTIONAL ± 1/64"
 ANGLES ± 1.0°
 FLATNESS ± 0.020 per ft.

NOTE: BOXED/CIRCLED DIMS ARE CRITICAL

The information contained herein is PROPRIETARY to and considered a TRADE SECRET of Ply Gem Window Group, a Roanoke, VA based firm, and shall not be reproduced in whole or in part without the written authorization of Ply Gem Window Group.

A		N/A	Initial Release	10/4/16	GLT	DWG. FILE NAME: EMRDH1006.idw
REV.	ECO	REVISION	DATE	BY		SCALE: C
						DRAWN BY: gterrell
						DATE: 4/11/2008
						REV. A
						DESCRIPTION: Cross-Section, Mira, Double Hung with SDL

4

3

2

1